



**HVH-100E & HVH-100E-AB
ELECTRIC HYDROVECTION HELIX OVENS
REPLACEMENT PARTS LIST**

EFFECTIVE DECEMBER 16, 2022

Superseding All Previous Parts Lists.

The Company reserves the right to make substitution in the event that items specified are not available.

ERRORS: Descriptive and/or typographic errors are subject to correction.

BLODGETT OVEN COMPANY

42 Allen Martin Drive, Essex Junction, Vermont 05452 USA Telephone: (802) 658-6600 Fax: (802) 860-3732
www.blodgett.com

P/N 58529 Rev AC

SERIAL NUMBER LOCATION / KEY:

IMPORTANT: When ordering parts, please provide the model, gas type and serial number of the oven. The identification plate is located on the back of the oven.

SERIAL NUMBER IDENTIFICATION CODE:

DT = HVH-100E HYDROVECTION OVEN

DT OR BN = HVH-100E-AB HYDROVECTION OVEN

SERIAL NUMBER EXAMPLES

011915DT001

01/19/15 = DATE

DT = LETTER CODE FOR HV-100E

001 = FACTORY SEQUENCE

TO OBTAIN LITERATURE:

Email: literature@blodgett.com
or visit
www.blodgett.com

TABLE OF CONTENTS

HVH-100E OVENS - SERIAL LETTER CODE "DT"

TOUCHSCREEN CONTROL.....	5
DOORS.....	6
INTERIOR COMPONENTS.....	7
VENT COMPONENTS.....	8
MOTOR.....	9
ELECTRICAL PANEL.....	10
EXTERIOR COMPONENTS.....	11
HELIX ASSEMBLY.....	12

HVH-100E-AB OVENS - SERIAL LETTER CODE "DT" OR "BN"

SMARTTOUCH CONTROL.....	14
SMARTTOUCH 2 CONTROL.....	15
DOORS.....	16
INTERIOR COMPONENTS.....	17
REAR COMPONENTS.....	18
MOTOR ASSEMBLY.....	19
EXTERIOR COMPONENTS.....	20
ELECTRICAL COMPONENTS.....	21
ELEMENT COMPONENTS.....	22
HELIX ASSEMBLY.....	23

HVH-100E & HVH-100E-AB OVENS

ACCESSORIES.....	25
------------------	----

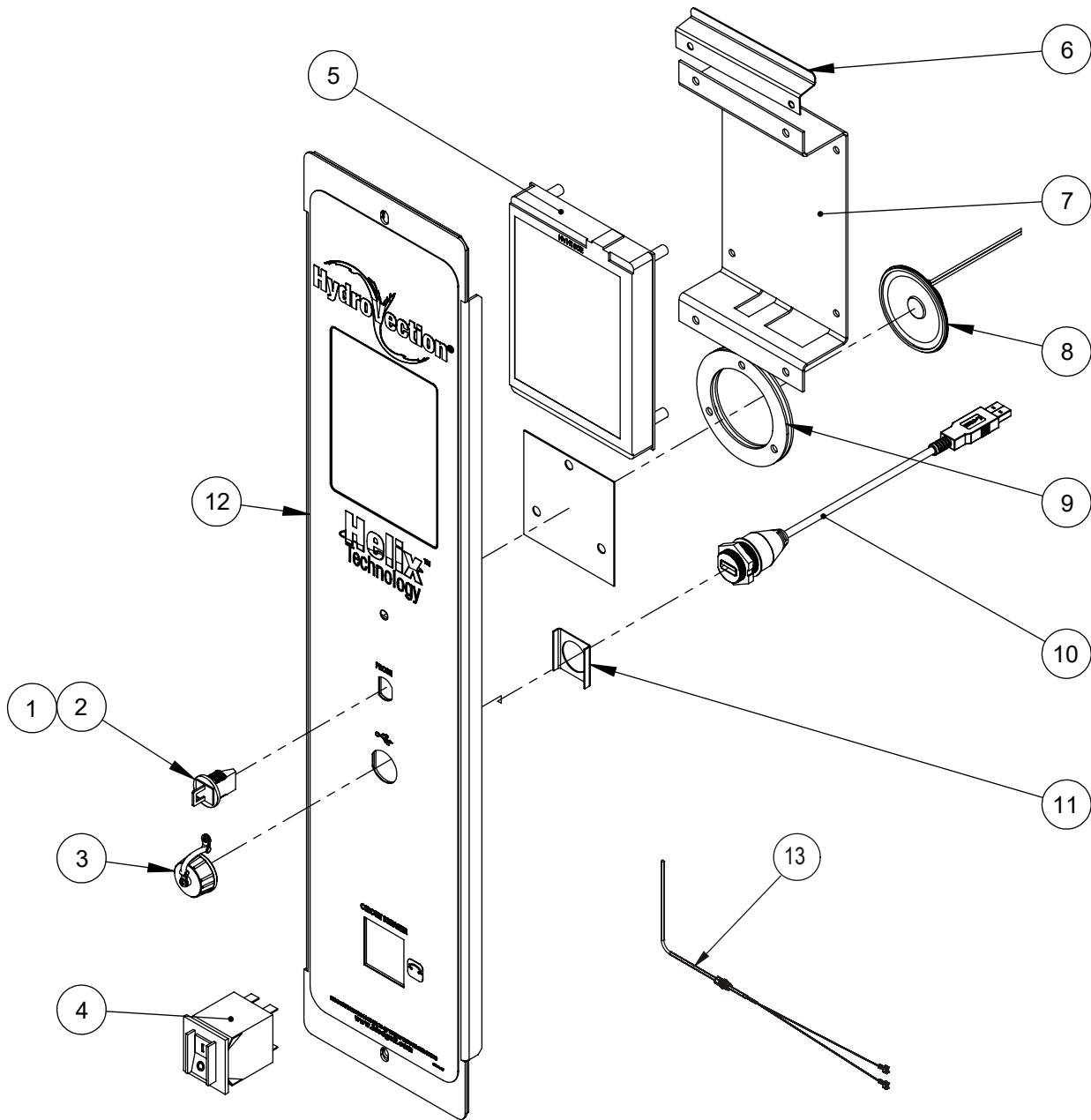
HVH-100E OVENS

SERIAL LETTER CODE "DT"

(All Full Size Hydrovection ovens manufactured before 1/10/2017)

TOUCHSCREEN CONTROL

FOR HVH-100E OVENS (MANUFACTURED BEFORE 1/10/2017)

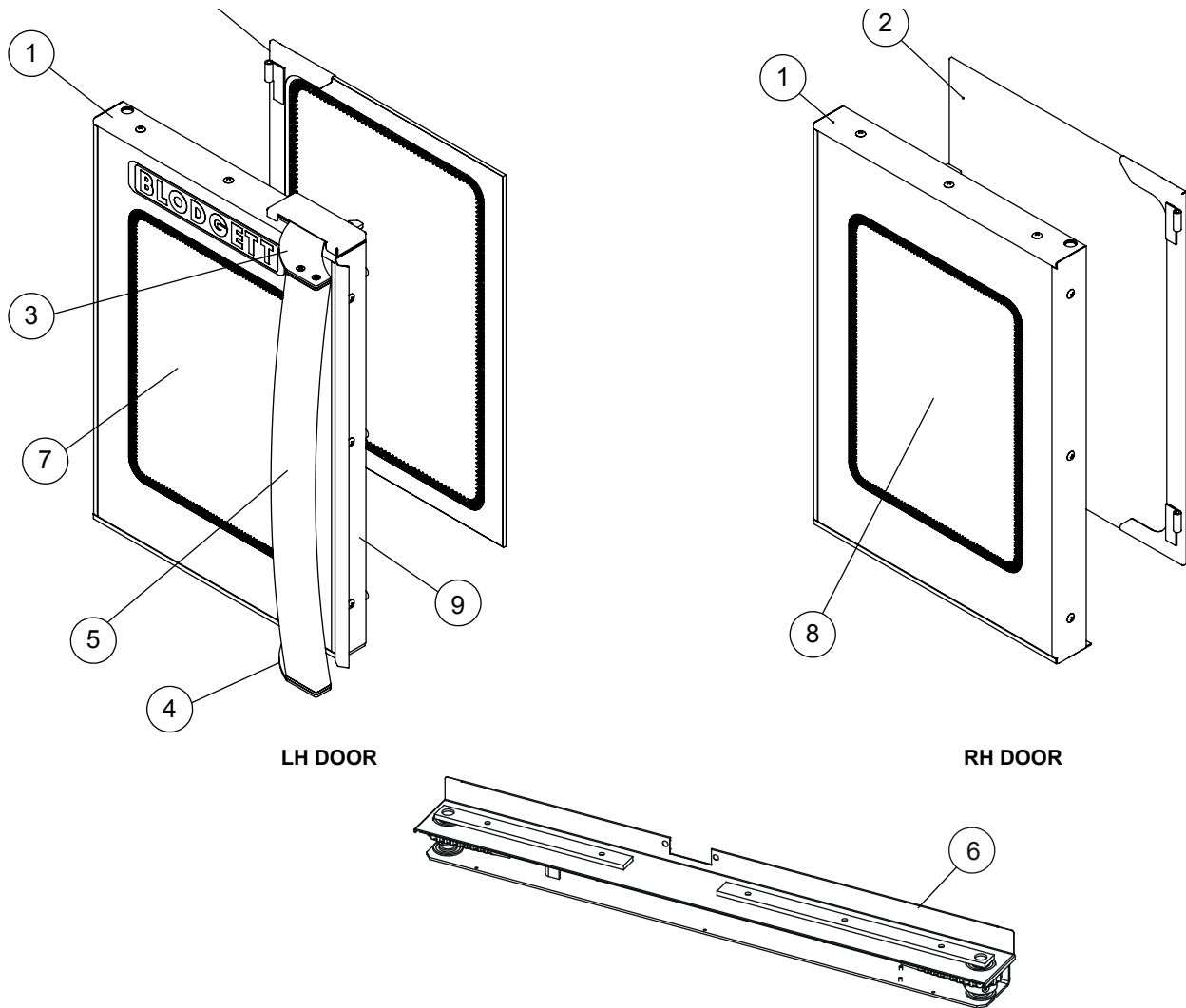


For HVH-100E Ovens (Serial Letter Code DT)

Ref. No.	Part No.	Description	Ref. No.	Part No.	Description
1	39781	MEAT PROBE JACK	8	59777	SPEAKER KIT, W/RETAINERS
2	39782	PLUG, MEAT PROBE JACK	9	59616	SPEAKER RETAINER
3	52161	COVER, USB	10	52160	USB PLUG
4	39688	CIRCUIT BREAKER, 20A	11	52600	SPACER USB
5	58517	TS CONTROL, HVH-100E	12	58601	PANEL & DECAL
6	52806	DEFLECTOR	13	53007	CAVITY PROBE
7	53986	TS FRAME		54330	COMMUNICATIONS CABLE

DOORS

FOR HVH-100E OVENS (MANUFACTURED BEFORE 1/10/2017)

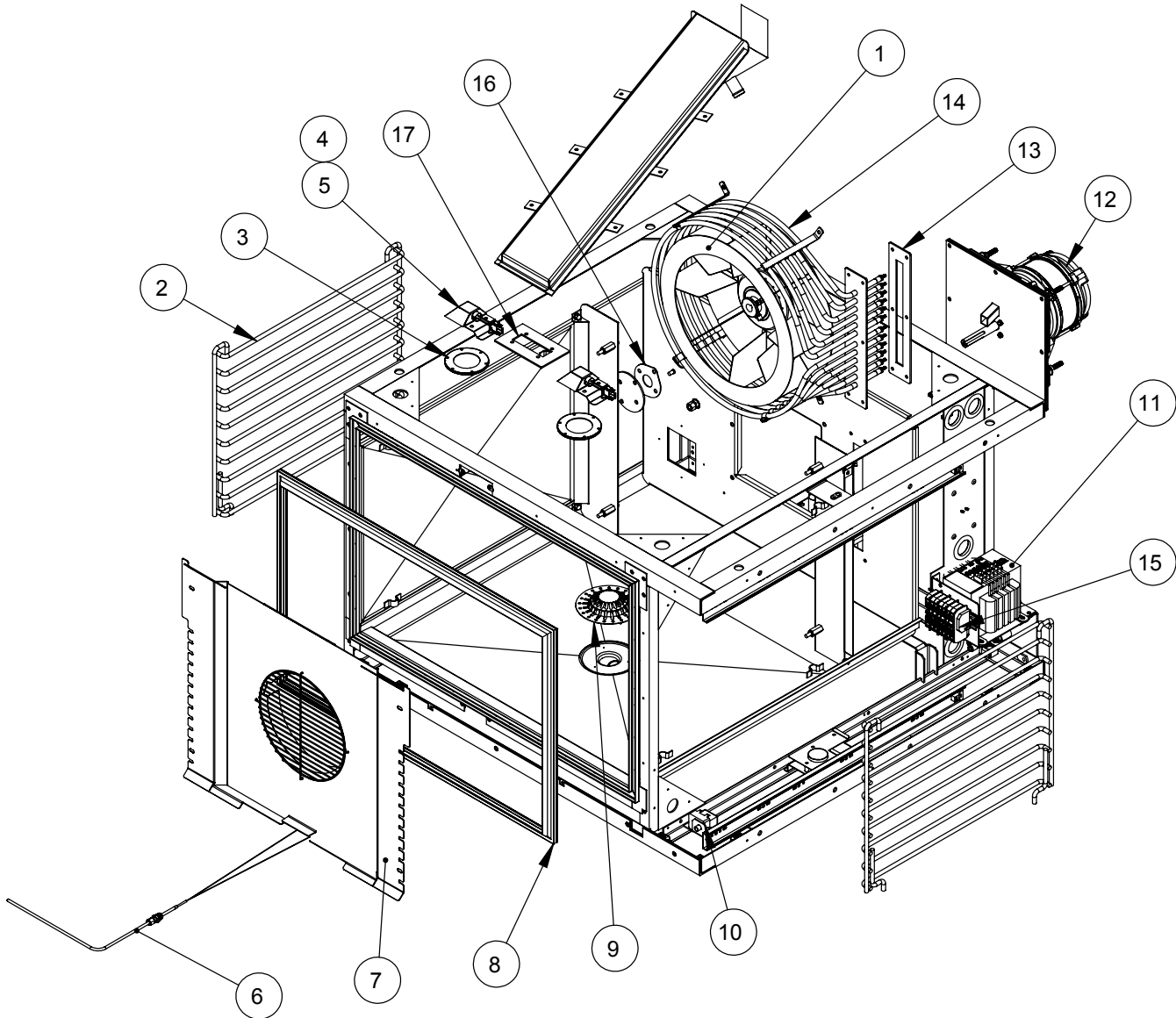


For HVH-100E Ovens (Serial Letter Code DT)

Ref. No.	Part No.	Description	Ref. No.	Part No.	Description
1	55528	LH OUTER DOOR (COMPLETE AS SHOWN)	6	57953	DOOR TURNBUCKLE
1	55542	RH OUT DOOR (COMPLETE AS SHOWN)		52514	DOOR SWITCH
2	51534	LH INNER GLASS	7	55531	LH FRONT GLASS
	51556	RH INNER GLASS	8	55532	RH FRONT GLASS
3	58939	LATCH ASSY, RECT, LH	9	55533	CENTER TRIM
4	58938	LATCH ASSY, RECT, RH		51610	CENTER DOOR GASKET
5	55608	DOOR HANDLE		60185	BUMPER (SCREW IN STYLE)

INTERIOR COMPONENTS

FOR HVH-100E OVENS (MANUFACTURED BEFORE 1/10/2017)

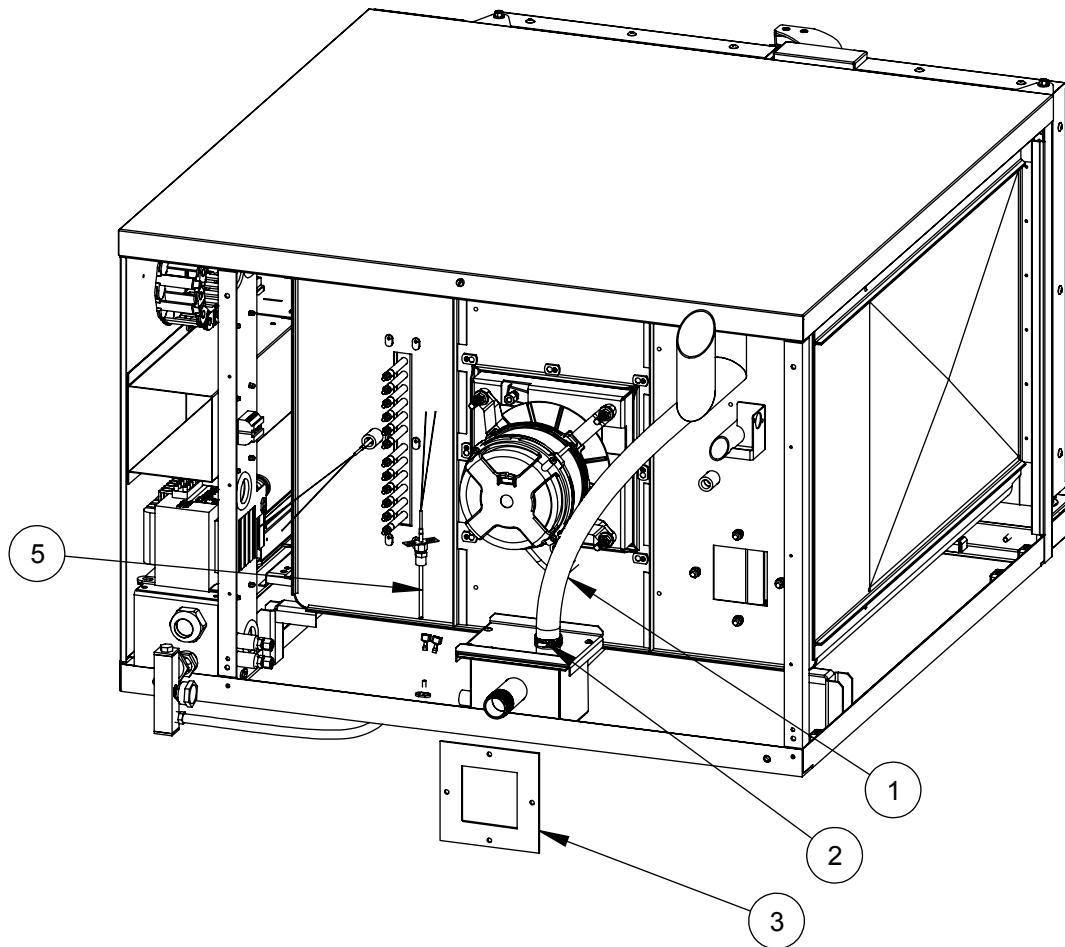


For HVH-100E Ovens (Serial Letter Code DT)

Ref. No.	Part No.	Description	Ref. No.	Part No.	Description
1	55303	BLOWER WHEEL W/KEY	11	51453	440-480V TRANSFORMER
2	54856	SIDE RACK SUPPORT (SET OF 2)	12	54293	MOTOR ASSEMBLY
	59046	WIRE RACK	13	52304	ELEMENT GASKET
3	53081	LIGHT LENS AND GASKET	14	53280	14 KW, 208V ELEMENT & GASKET KIT
4	53101	LIGHT BULB FOR ROUND LIGHT	14	53281	14 KW, 220/440V ELEMENT & GASKET KIT
5	53194	LIGHT SOCKET	14	53282	14 KW, 240/480V ELEMENT & GASKET KIT
6	53007	CAVITY TEMPERATURE PROBE KIT	15	39733	TERMINAL BLOCK
7	57496	BAFFLE	16	58513	INTAKE VENT GASKET
8	52716	PERIMETER GASKET	17	58996	CAVITY VENT GASKET
9	50506	DRAIN STRAINER			
10	36441	HIGH LIMIT THERMOSTAT			

VENT COMPONENTS

FOR HVH-100E OVENS (MANUFACTURED BEFORE 1/10/2017)

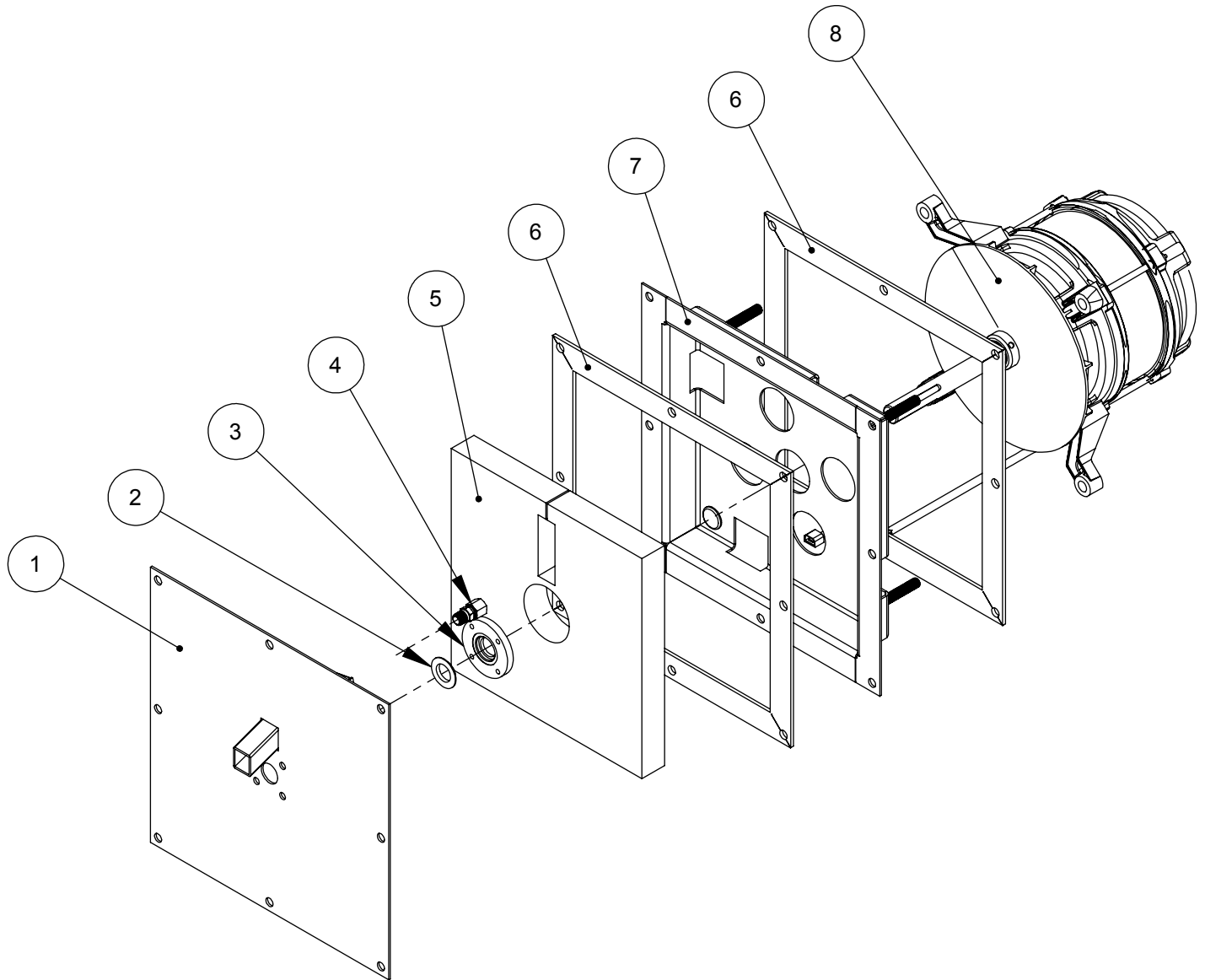


For HVH-100E Ovens (Serial Letter Code DT)

Ref. No.	Part No.	Description
1	57025	SILICONE HOSE (BY THE INCH)
2	R0254	HOSE CLAMP
3	57726	HELIX ASSEMBLY GASKET
5	36720	QUENCH PROBE

MOTOR

FOR HVH-100E OVENS (MANUFACTURED BEFORE 1/10/2017)

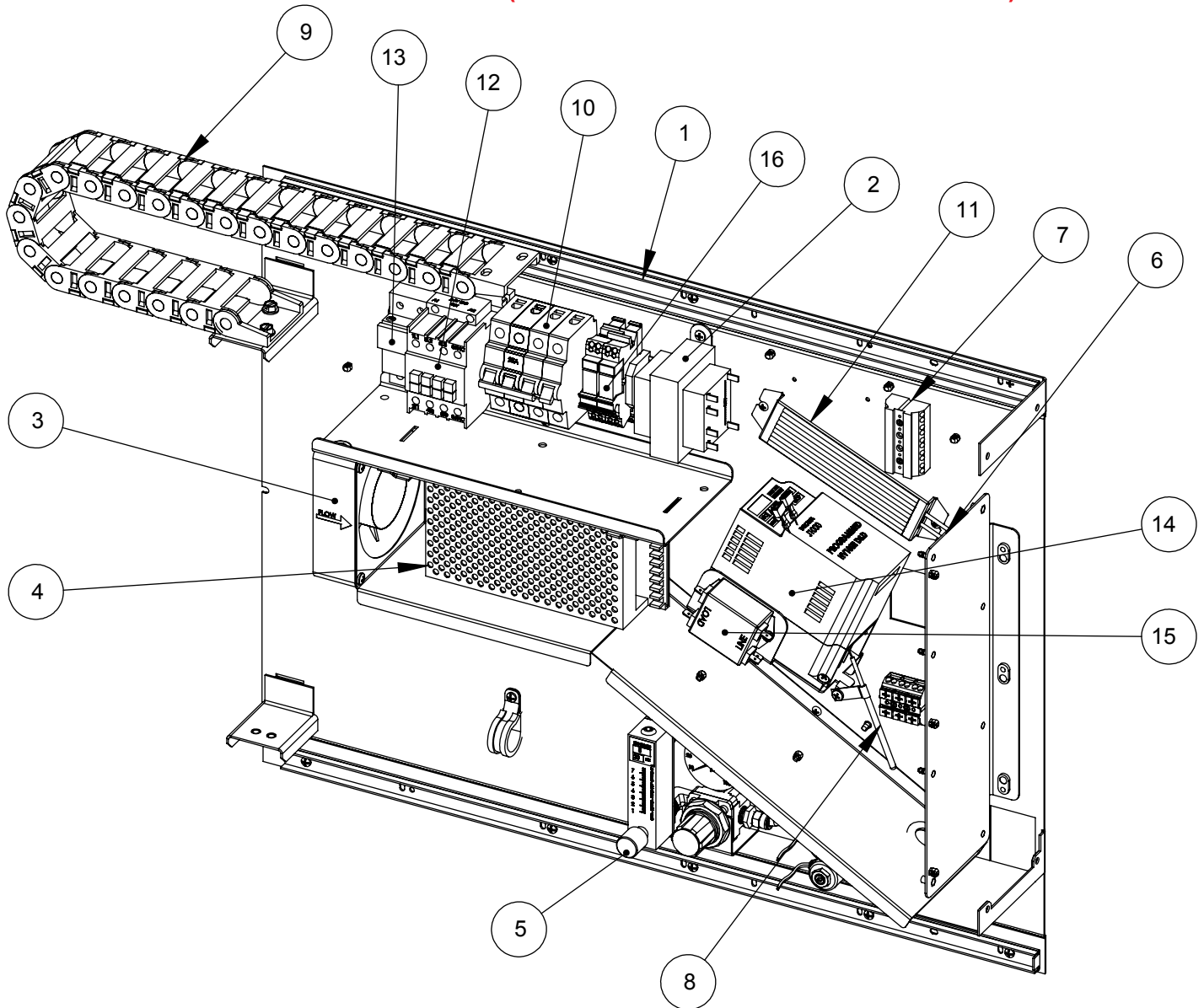


For HVH-100E Ovens (Serial Letter Code DT)

Ref. No.	Part No.	Description
1	54296	COVER PLATE ASSEMBLY
2	R4244	SHAFT SEAL
3	R8955	SEAL RETAINER
4	M0959	COMPRESSION FITTING
5	57318	INSULATION
6	56956	MOTOR GASKET
7	54294	MOTOR MOUNT
8	59909	MOTOR

ELECTRICAL PANEL

FOR HVH-100E OVENS (MANUFACTURED BEFORE 1/10/2017)

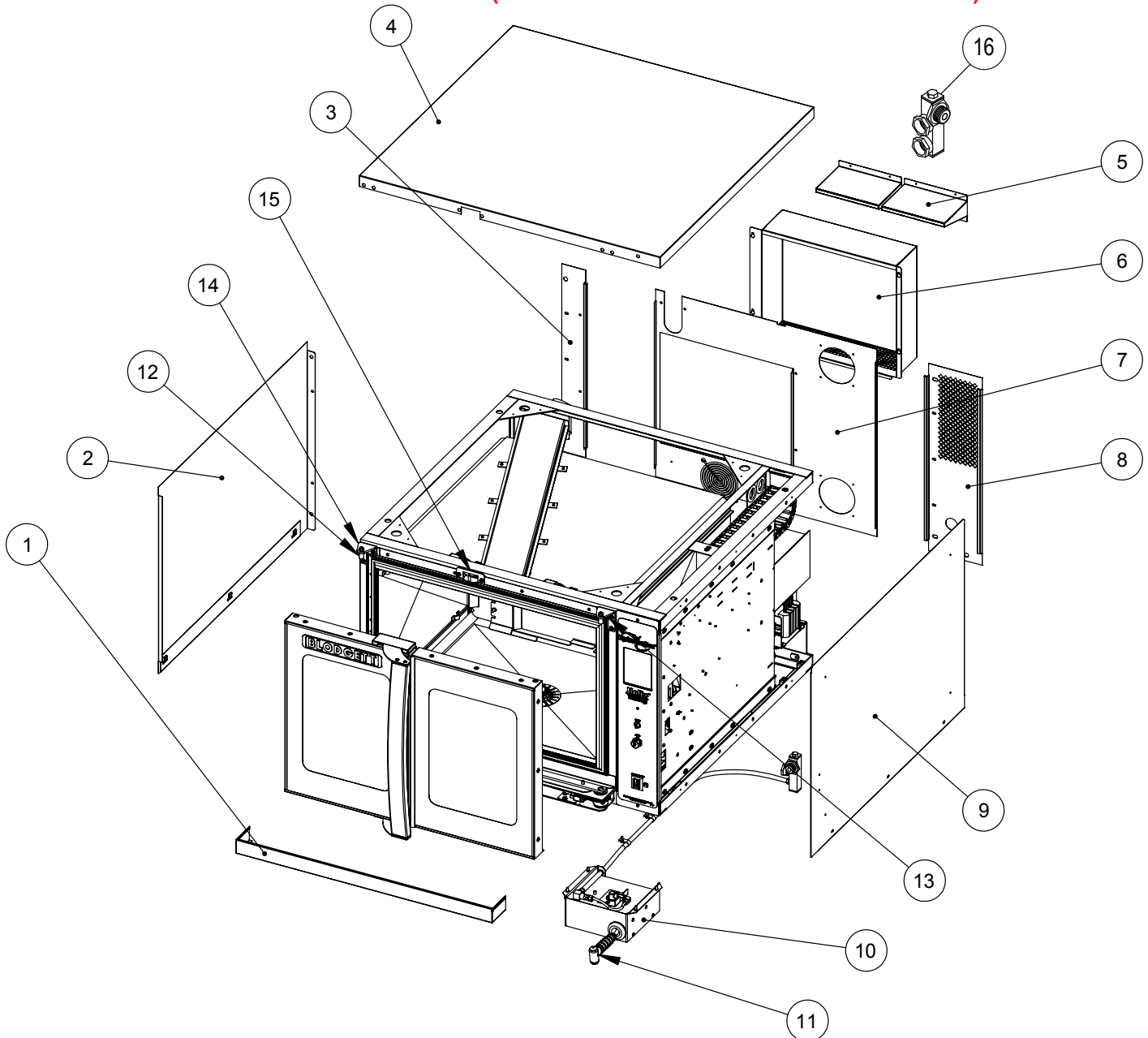


For HVH-100E Ovens (Serial Letter Code DT)

Ref. No.	Part No.	Description	Ref. No.	Part No.	Description
1	51588	DRAWER SLIDE, MOVING	10	53271	CIRCUIT BREAKER, 50A, 208-240V
2	24356	TRANSFORMER, 120V TO 24V 80VA		52446	CIRCUIT BREAKER 25A, 480V
3	52947	AXIAL FAN, 4" (24V)	11	52706	RESISTOR, MOTOR BREAKING
4	52946	24VDC POWER SUPPLY	12	52717	CONTACTOR, 3PH, 24 VDC
	M3166	FUSE, POWER SUPPLY	13	51454	FUSE HOLDER, 440/480V ONLY
5	58533	WATER MANIFOLD ASSY		51455	FUSE, 7A 600V, 440/480 ONLY
6	57727	TOUCHSCREEN INTERFACE BOARD	14	57681	240V VFD PROGRAMMED, V-CONTROL
7	50952	TERMINAL BLOCK	15	53902	NOISE FILTER
8	51516	PROBE, 100 OHM RTD	16	38604	RELAY, 24V
9	52292	CABLE CARRIER		52663	WATER TUBING KIT (CONSISTS OF 6' OF EACH COLOR TUBING)

EXTERIOR COMPONENTS

FOR HVH-100E OVENS (MANUFACTURED BEFORE 1/10/2017)

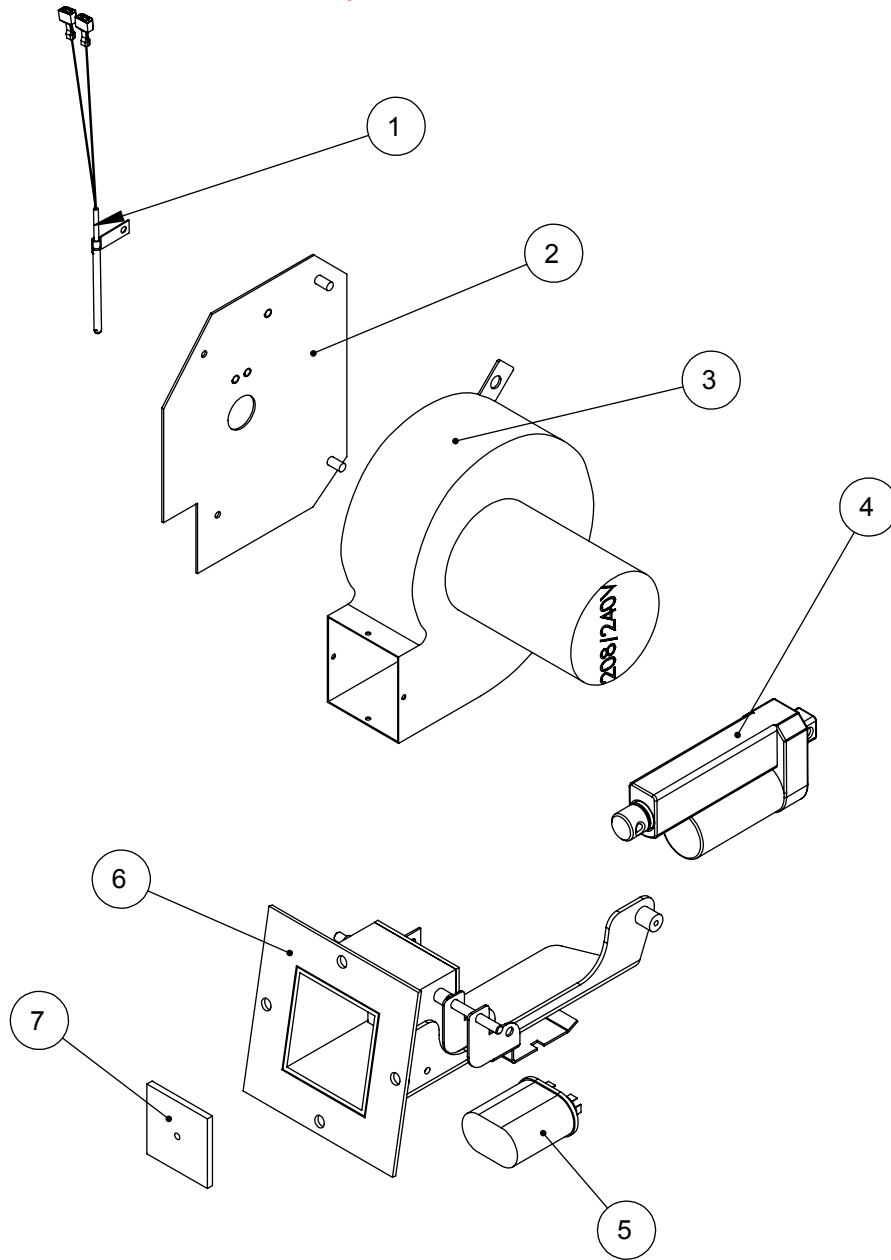


For HVH-100E Ovens (Serial Letter Code DT)

Ref. No.	Part No.	Description	Ref. No.	Part No.	Description
1	51698	FRONT TRIM	10	54671	EXTERNAL HOSE REEL KIT
2	52479	LH BODYSIDE		54674	EXTERNAL HOSE REEL ASSEMBLY
3	58331	RH BODYBACK	11	52998	SPRAY NOZZLE (PUSH BUTTON)
4	51253	BODYTOP	12	51591	HINGE PIN (LEFT & RIGHT)
5	51630	MOTOR VENT	13	51081	RH HINGE
6	58332	BODYBACK ACCESS PANEL	14	51082	LH HINGE
7	58329	BODYBACK CENTER, ELECTRIC	15	57889	DOOR LATCH CATCH
8	58330	LH BODYBACK, ELECTRIC	16	54715	WATER MANIFOLD ASSEMBLY
9	51105	RH BODYSIDE			

HELIX ASSEMBLY

FOR HVH-100E OVENS (MANUFACTURED BEFORE 1/10/2017)



For HVH-100E Ovens (Serial Letter Code DT)

<u>Ref. No.</u>	<u>Part No.</u>	<u>Description</u>
1	51516	PROBE
2	57843	RESTRICTOR PLATE
3	54672	BLOWER, 208/240
4	50617	ACTUATOR, 24V
5	38610	CAPACITOR
6	57668	HELIX FLAPPER ASSEMBLY
7	57671	FLAPPER GASKET

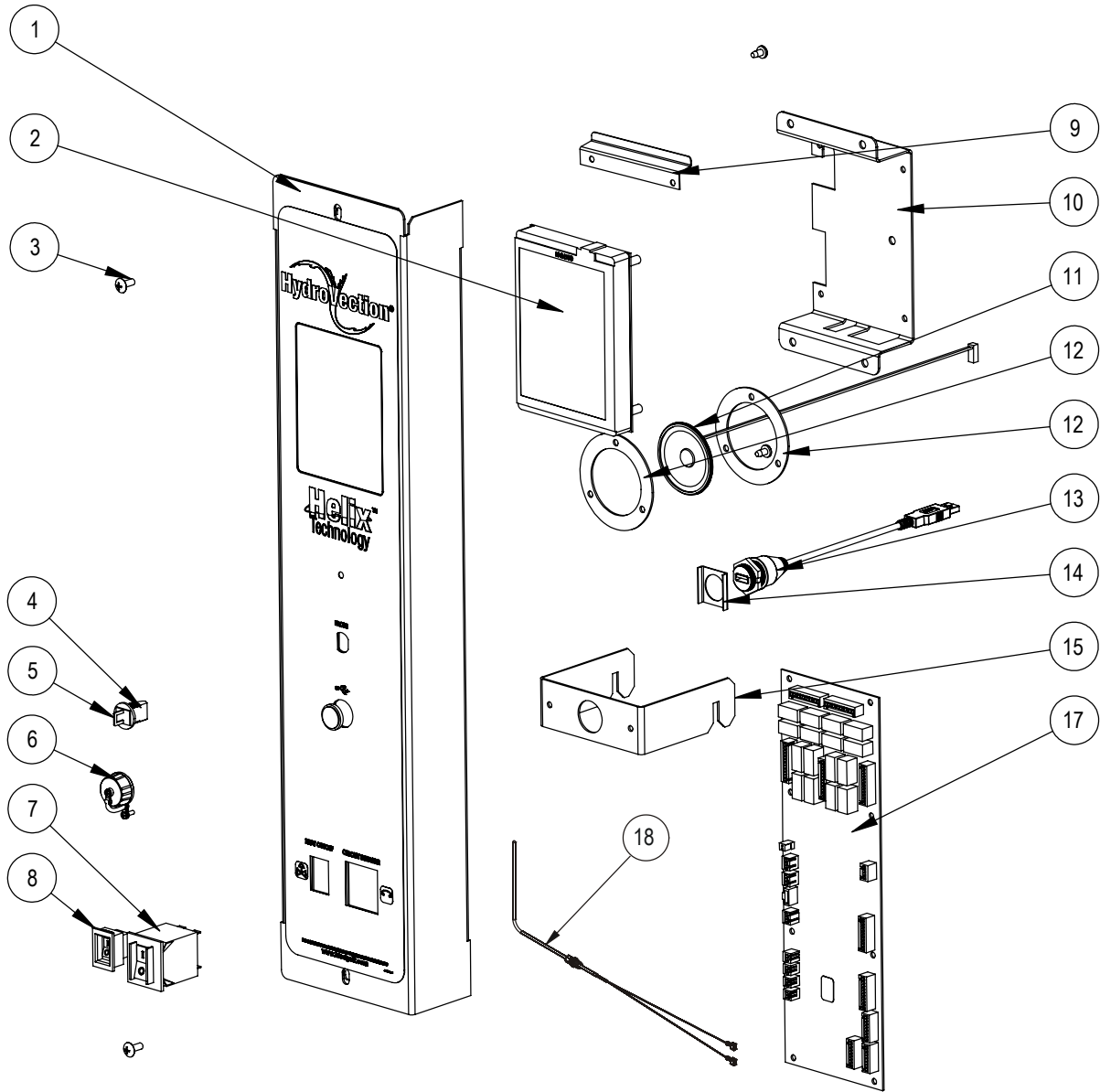
HVH-100E-AB OVENS

SERIAL LETTER CODE "BN" OR "DT"

(All Full Size Hydrovection ovens manufactured after 1/10/2017)

SMARTTOUCH CONTROL

FOR HVH-100E-AB OVENS (MANUFACTURED AFTER 1/10/2017 AND BEFORE 8/1/2017)

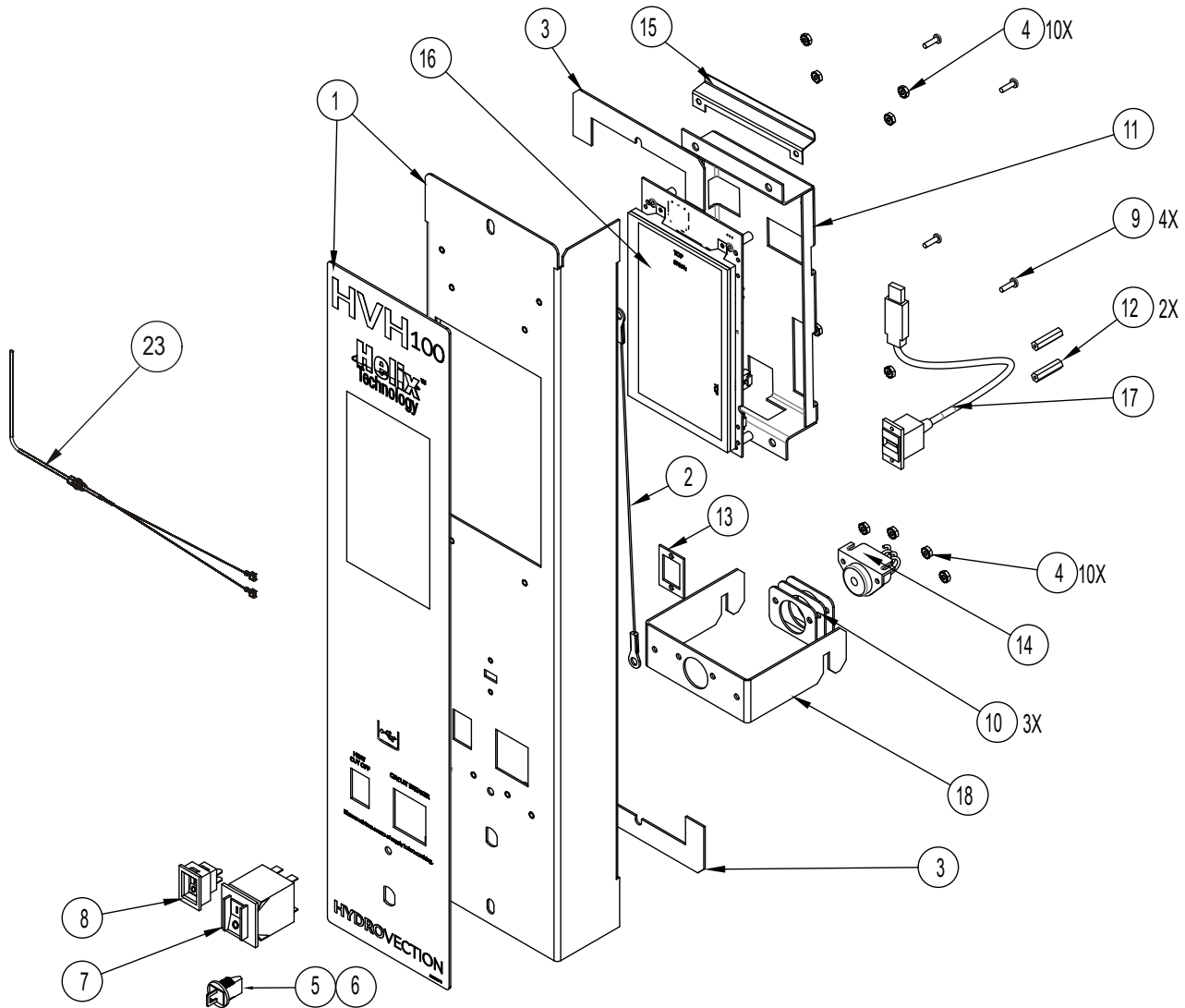


Ref. No.	Part No.	Description
1	59204	PANEL & DECAL
2	59149	TOUCH SCREEN, HVH100
3	16384	10-24 X 1/2 TRUSS HEAD SCREW
4	39781	MEAT PROBE JACK
5	39782	MEAT PROBE JACK PLUG
6	52161	COVER, USB
7	39688	CIRCUIT BREAKER, 20A
8	36376	SWITCH, GAS, ON/OFF

Ref. No.	Part No.	Description
11	59777	SPEAKER KIT, W/RETAINERS
12	59616	SPEAKER RETAINER
13	52160	USB CABLE
14	52600	SPACER, USB PORT
15	58918	BRACKET, HANGING, HV100
16	54330	COMMUNICATION CABLE, HV100 TS
17	57727	RELAY BOARD, TOUCH SCREEN
18	53007	CAVITY PROBE
	58919	CONTROL PANEL ASSEMBLY, COMPLETE AS SHOWN (WITHOUT RELAY BOARD)

SMARTTOUCH 2 CONTROL

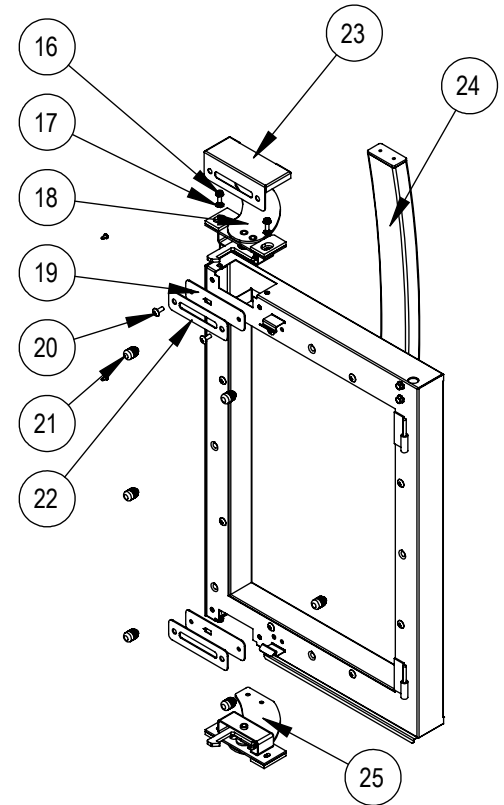
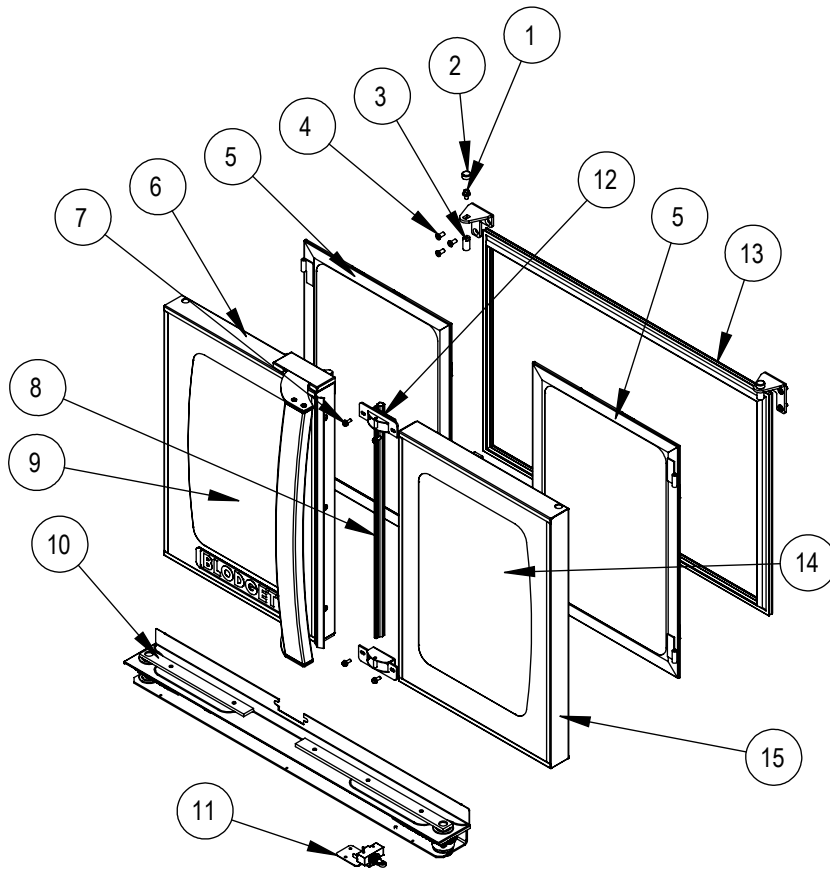
FOR HVH-100E-AB OVENS (MANUFACTURED AFTER 8/1/2017)



Ref. No.	Part No.	Description	Ref. No.	Part No.	Description
1	59856	PANEL & DECAL ASSY	15	59349	DEFLECTOR BRACKET
2	20043	12" STRAIN RELIEF	16	59361	CONTROL, TS, HVH100
3	R4872	TILT PANEL GASKET, BY THE INCH	16	59829	CONTROL, TS, HVH100 K12
4	M3367	NUT 6-32 KEPS	17	59565	USB CABLE
5	39781	MEAT PROBE JACK	18	58918	HANGING BRACKET
6	39782	MEAT PROBE JACK PLUG	19	59032	HARNESS, HV FRONT LINE (NOT SHOWN)
7	39688	CIRCUIT BREAKER, 20A	20	59029	HARNESS, HV FRONT TS DIGI (NOT SHOWN)
8	36376	GAS ON/OFF SWITCH	21	59542	HARNESS, BEEPER, ADDER (NOT SHOWN)
9	34478	SCREW, 6-32 X 0.5 SELF TAPPING	22	54330	COM CABLE, 20", TOUCHSCREEN (NOT SHOWN)
10	53921	BUZZER SPACER	23	53007	CAVITY PROBE
11	59348	TOUCH SCREEN BRACKET			
12	59434	STANDOFF #4-40 X1"			
13	59280	USB SPACER			
14	53759	BUZZER			

DOORS

FOR HVH-100E-AB OVENS (MANUFACTURED AFTER 1/10/2017)

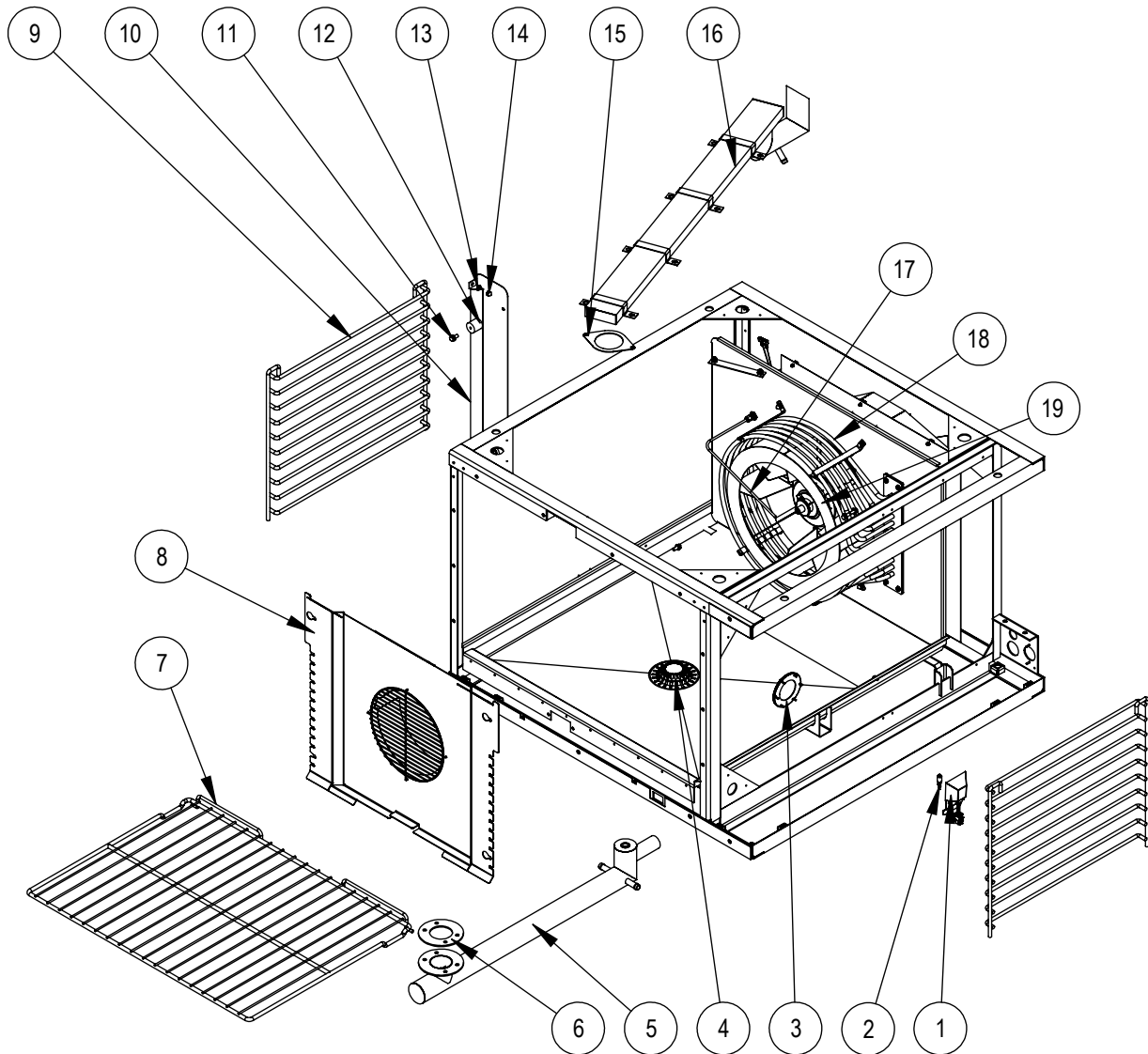


Ref. No.	Part No.	Description
1	52447	DOOR PIN BOLT
2	52666	HEX BOLT CAP
3	51591	PIN, DOOR
4	M1118	SCREW, 1/4-20 X 5/8, FLAT HEAD
5	59013	ASSY, INNER GLASS
6	59140	DOOR ASSEMBLY, LH (COMPLETE AS SHOWN)
7	57725	10-24 X 1/2 SERRATED HEX FLANGE
8	51610	GASKET, CENTER DOOR
9	59007	FRONT GLASS, LH
10	57953	ASSY, DOOR TURNBUCKLE
11	52514	ASSEMBLY, DOOR SWITCH
12	58824	LATCH CATCH ASSY
13	52716	GASKET, HV100 PERIMETER BLADE

Ref. No.	Part No.	Description
14	59006	FRONT GLASS, RH
15	59141	DOOR ASSEMBLY, RH (COMPLETE AS SHOWN)
16	M6315	10-24 X 1/2 HEX WASHER HEAD SCREW
17	16479	LOCK WASHER, EXTERNAL TOOTH
18	58939	LATCH ASSY, RECT, TOP
19	55537	GASKET, DOOR LATCH
20	16384	10-24 X 1/2 TRUSS HEAD SCREW
21	61036	RUBBER BUMPER
22	55536	PLATE, LATCH COVER
23	59018	COVER, LATCH, HV100
24	55608	DOOR HANDLE, HV100
25	58938	LATCH ASSY, RECT, BOTTOM

INTERIOR COMPONENTS

FOR HVH-100E-AB OVENS (MANUFACTURED AFTER 1/10/2017)

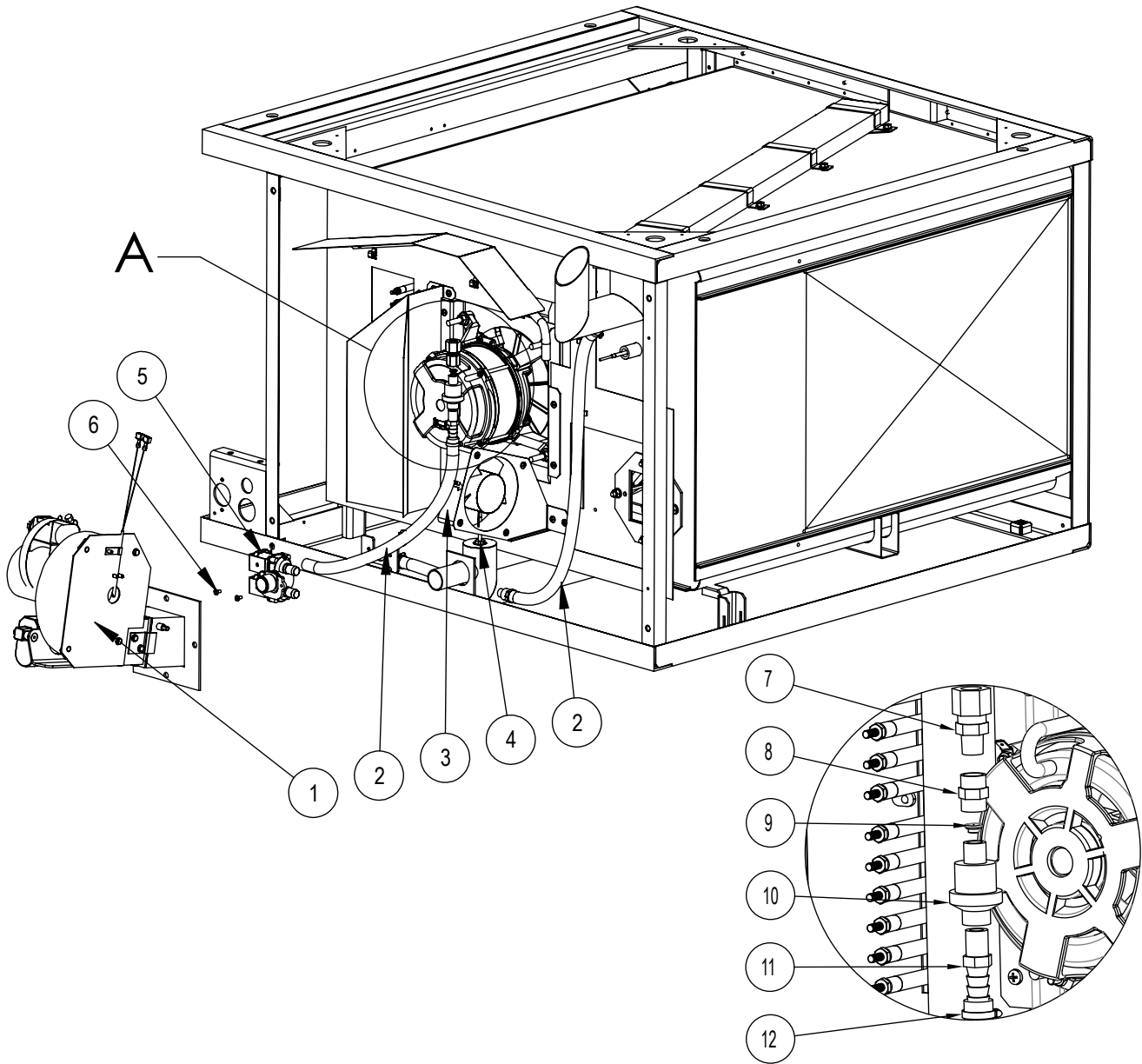


Ref. No.	Part No.	Description
1	53194	LAMP HOUSING ASSEMBLY
2	53101	HALOGEN BULB
3	53081	BEZEL, GASKET & LENSE ASSEMBLY
4	39336	COVER, DRAIN
5	59154	DRAIN ASSEMBLY
6	59162	GASKET, DRAIN
7	59046	WIRE RACK
8	58864	BAFFLE, HV100E
9	59047	SIDE RACK SUPPORT
10	58865	BAFFLE, SIDE SUPPORT
11	M6315	10-24 X 1/2, FLANGE HEAD BOLT

Ref. No.	Part No.	Description
12	58997	SPACER
13	M0417	LOCK WASHER, 1/4"
14	R0712	10-24 ACORN NUT
15	58998	GASKET, LINER VENT
16	58866	VENT ASSEMBLY, HV100
17	53007	CAVITY TEMP PROBE
18	53280	208V ELEMENT KIT
18	53281	220/240V ELEMENT KIT
18	53282	240/480V ELEMENT KIT
19	55303	BLOWER WHEEL WITH KEY

REAR COMPONENTS

FOR HVH-100E-AB OVENS (MANUFACTURED AFTER 1/10/2017)

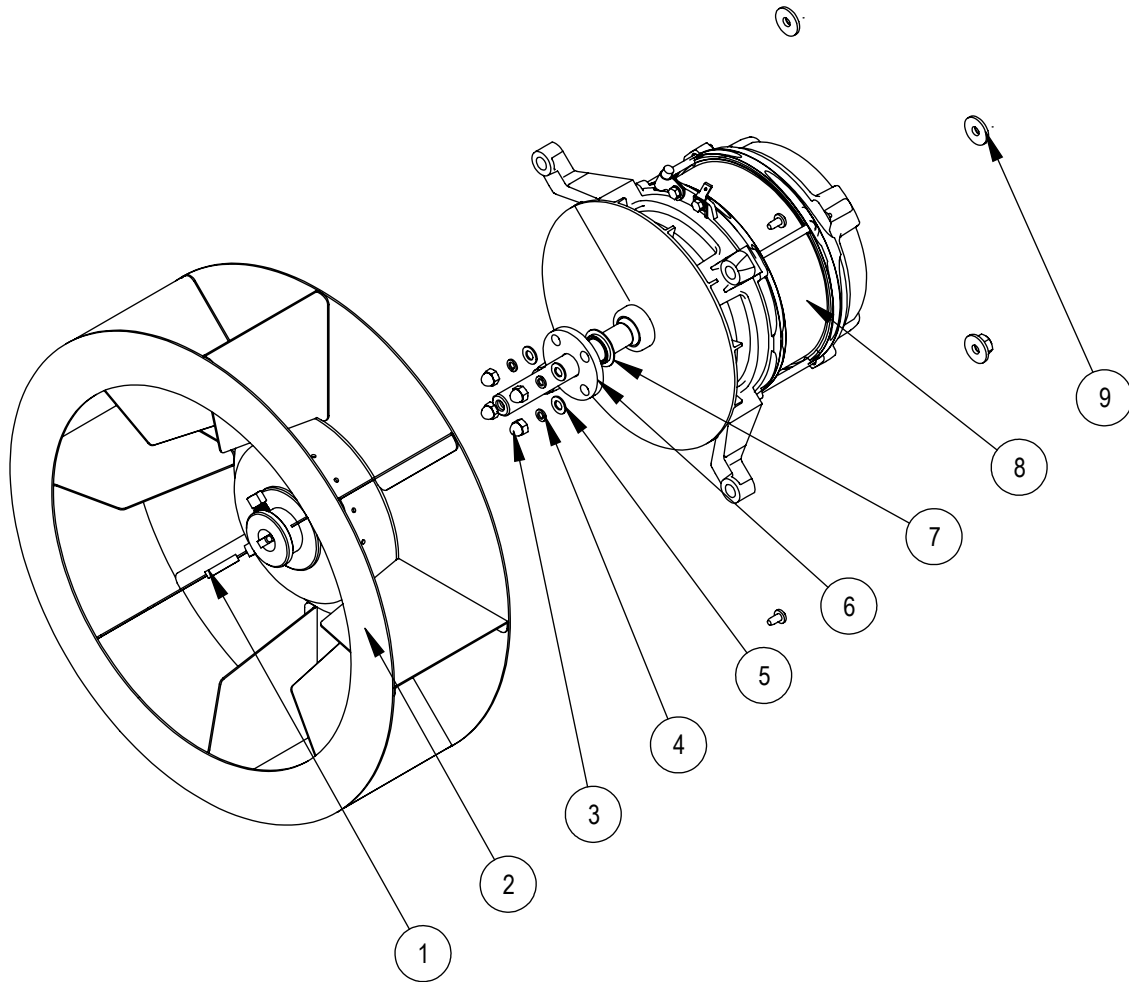


Ref. No.	Part No.	Description
1	58368	HELIX ASSEMBLY, 208/240V
2	58270	SILICONE HOSE (BY THE INCH)
3	52947	AXIAL FAN
4	58871	DRAIN TEMP PROBE
5	59630	KIT, DUAL OUTPUT WATER VALVE
6	R1270	SCREW, M4-.7 X 10MM
7	59333	COMPRESSION FITTING

Ref. No.	Part No.	Description
8	59332	COUPLING
9	58348	FLOW VALVE ORIFICE
10	58347	FLOW VALVE
11	58884	FITTING, BARBED
12	R0080	HOSE CLAMP

MOTOR ASSEMBLY

FOR HVH-100E-AB OVENS (MANUFACTURED AFTER 1/10/2017)

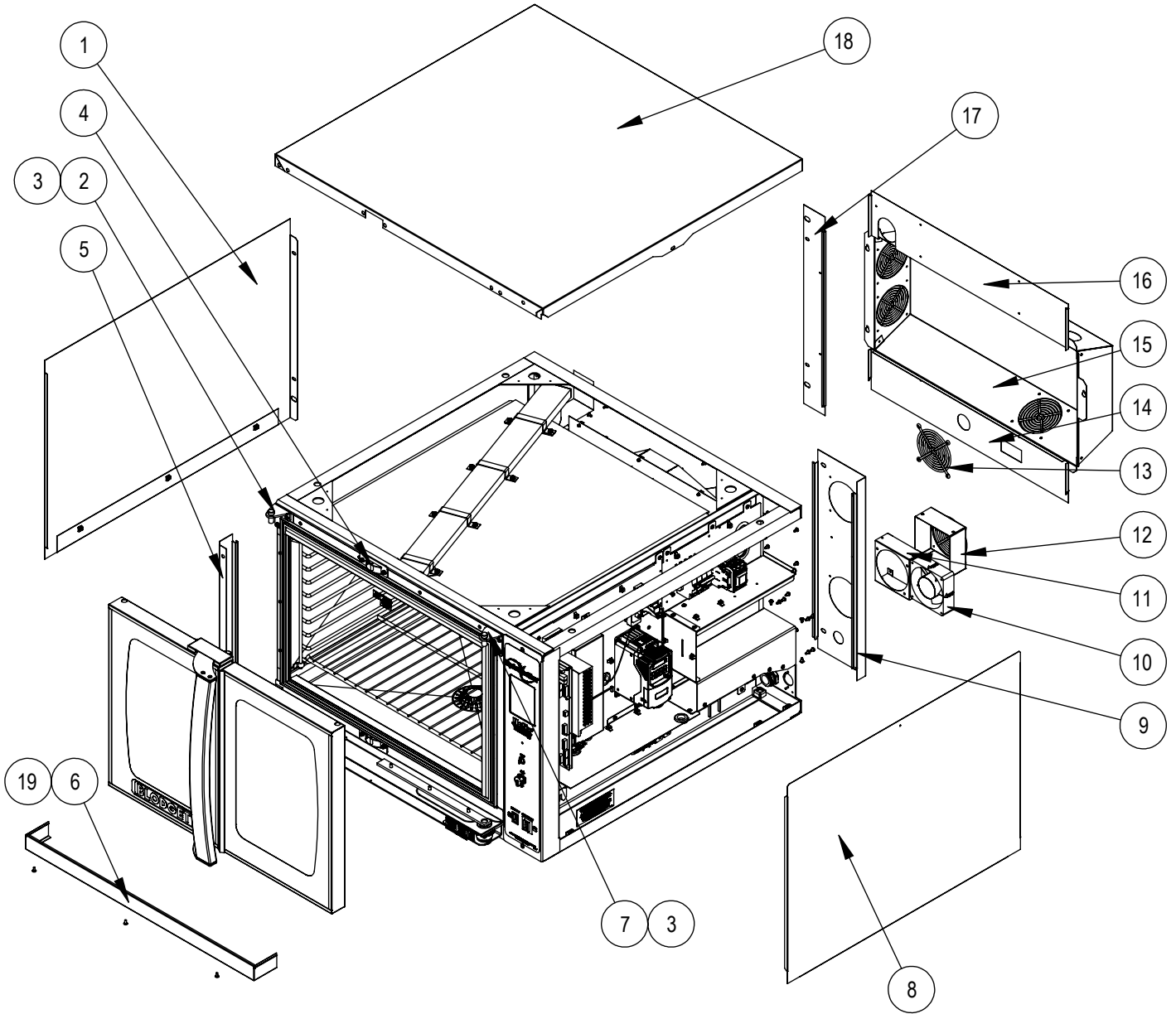


Ref. No.	Part No.	Description
1	54960	KEY, 3/16 X 1"
2	55303	BLOWER WHEEL WITH KEY
3	R0712	ACRON NUT, 10-24
4	R0726	LOCK WASHER, #10
5	R0733	FLAT WASHER, #10
6	59059	SHAFT SEAL RETAINER

Ref. No.	Part No.	Description
7	R4244	SHAFT SEAL
8	59909	CONVECTION MOTOR
	39332	MOTOR
9	8628	5/16-18 SERRATED FLANGE NUT

EXTERIOR COMPONENTS

FOR HVH-100E-AB OVENS (MANUFACTURED AFTER 1/10/2017)

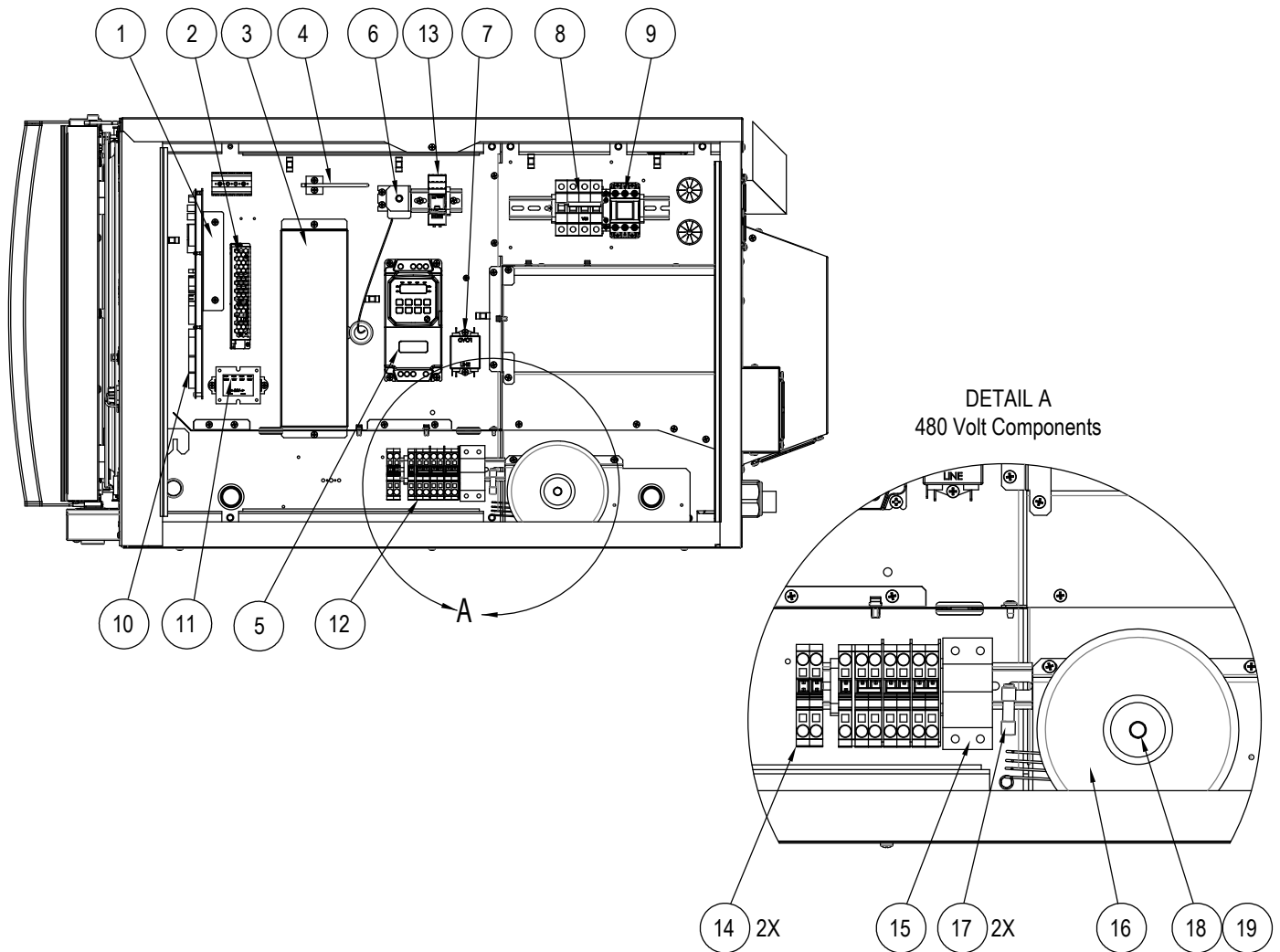


Ref. No.	Part No.	Description
1	58910	BODY SIDE, LEFT
2	51081	HINGE, LEFT
3	51591	HING PIN (LEFT & RIGHT)
4	58824	LATCH CATCH ASSEMBLY
5	58902	FRONT TRIM, LEFT
6	51698	TRIM, LOWER FRONT
7	51082	HINGE, RIGHT
8	58911	BODY SIDE, RIGHT
9	58978	BODY BACK, LEFT, ELECTRIC
10	52947	AXIAL FAN

Ref. No.	Part No.	Description
11	58970	FAN MOUNT, HV100
12	59020	FAN COVER, HV100
13	M0571	FAN GUARD, 4"
14	59166	BODY BACK, CENTER BOTTOM
15	59167	BODY BACK, ACCESS COVER
16	59165	BODY BACK, CENTER TOP
17	58903	BODY BACK, RIGHT
18	58901	BODY TOP
19	16384	10-24 TRUSS HEAD SCREW

ELECTRICAL COMPONENTS

FOR HVH-100E-AB OVENS (MANUFACTURED AFTER 1/10/2017)

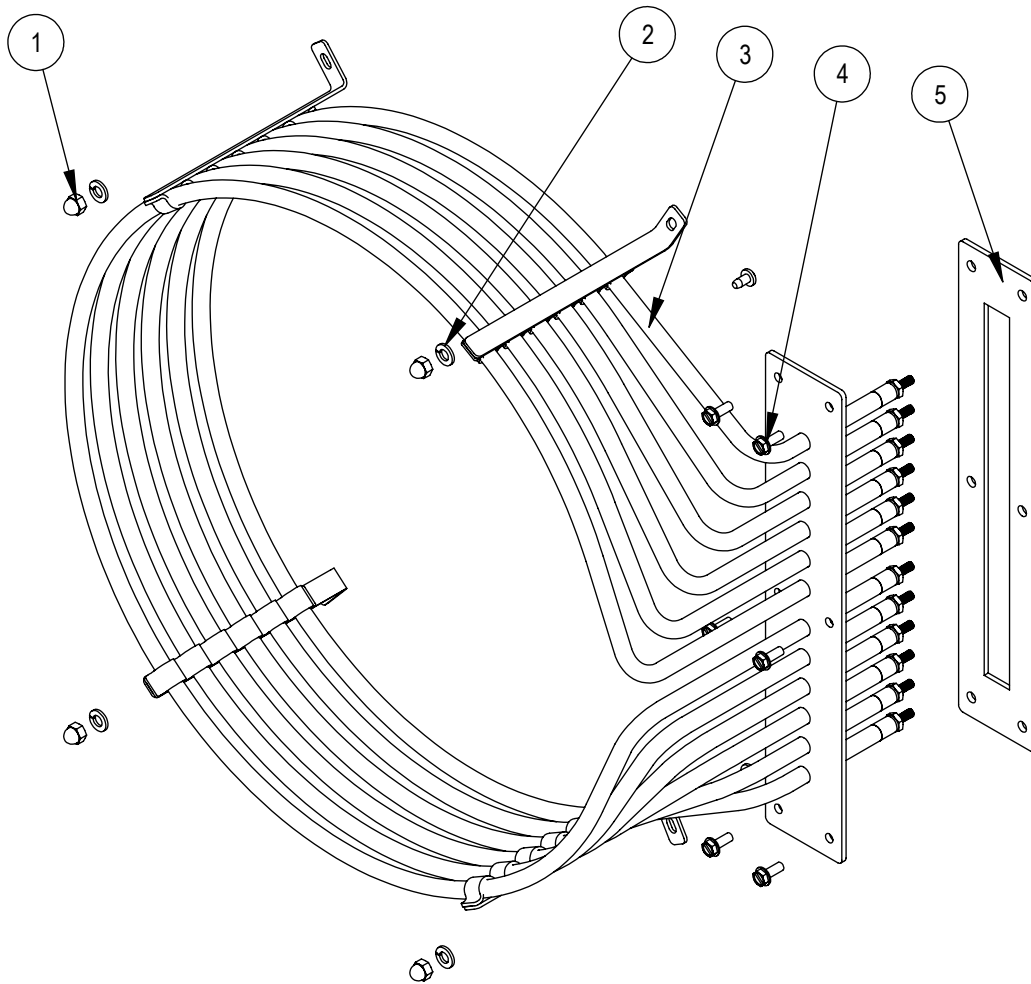


Ref. No.	Part No.	Description
1	53321	RELAY BOARD BRACKET
2	59331	24VDC POWER SUPPLY
3	58897	LIGHT ACCESS COVER
4	56873	PROBE, 1K RTD
5	59744	PROG. INVERTER (TS CTRL)
6	36441	THERMOSTAT, HIGH LIMIT
7	53902	EMI FILTER
8	53271	CIRCUIT BREAKER 50A 3 POSITION
9	59049	CONTACTOR
10	57727	RELAY BOARD, TOUCHSCREEN
11	38303	TRANSFORMER, 40V A

Ref. No.	Part No.	Description
12	39733	MAIN POWER TERMINAL BLOCK W/ GROUND
13	59146	RELAY, 3DPT, 24VDC COIL
14	52201	RELAY, 3 POLE, DT
15	51454	FUSE HOLDER, 600V, 30A
16	59201	TOROIDAL TRANSFORMER 480/240
17	51455	FUSE, 600V, 7A
18	56119	HEX HEAD CAP, 5/16" -18 x 3.5"
19	55642	WASHER, TOROIDAL MOUNTING

ELEMENT COMPONENTS

FOR HVH-100E-AB OVENS (MANUFACTURED AFTER 1/10/2017)

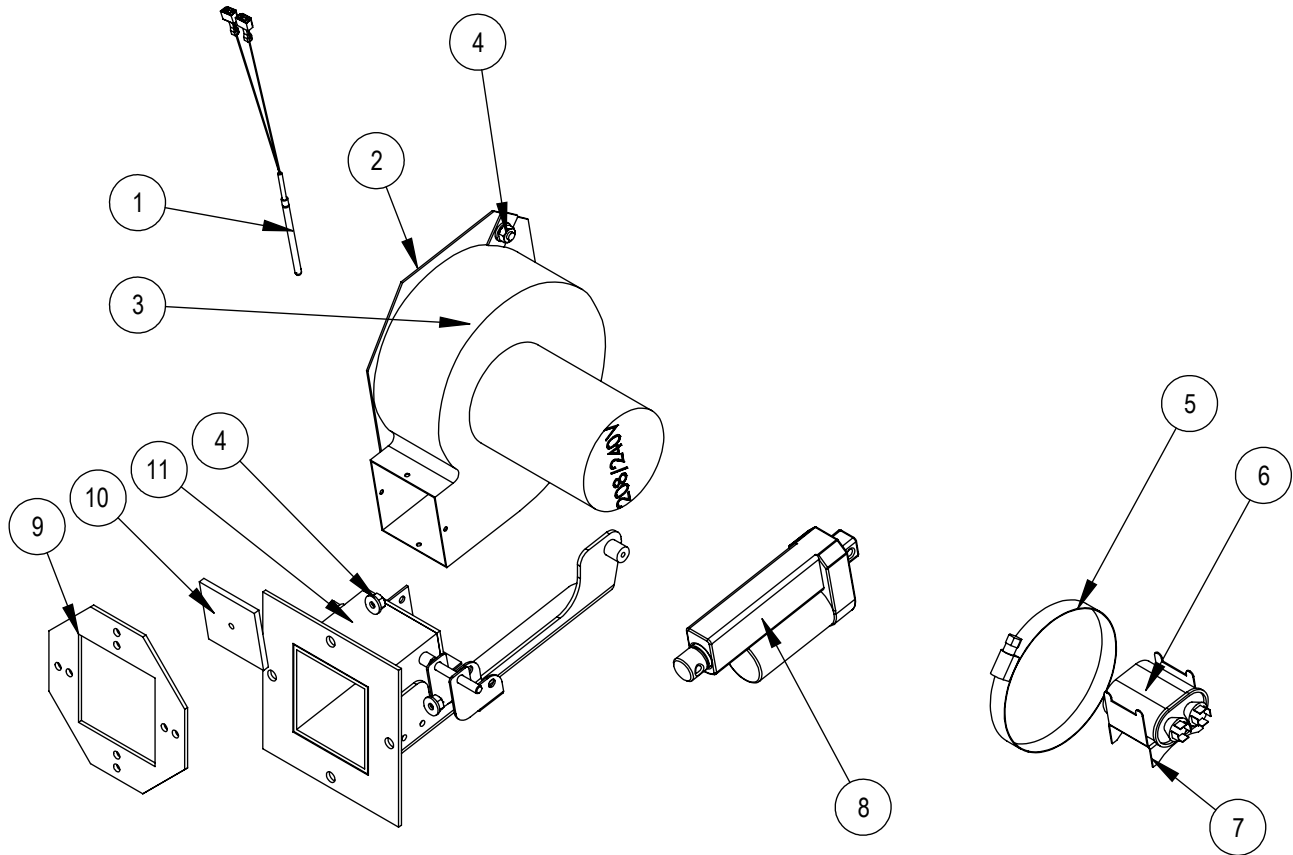


Ref. No.	Part No.	Description
1	R0712	10-24 ACORN NUT
2	M0417	LOCK WASHER
3	53280	208V ELEMENT KIT
3	53281	220/240V ELEMENT KIT

Ref. No.	Part No.	Description
3	53282	240/480V ELEMENT KIT
4	M6315	10-24 X 1/2 HEX WASHER HEAD SCREW
5	52304	GASKET, ELEMENT HV100E

HELIX ASSEMBLY

FOR HVH-100E-AB OVENS (MANUFACTURED AFTER 1/10/2017)



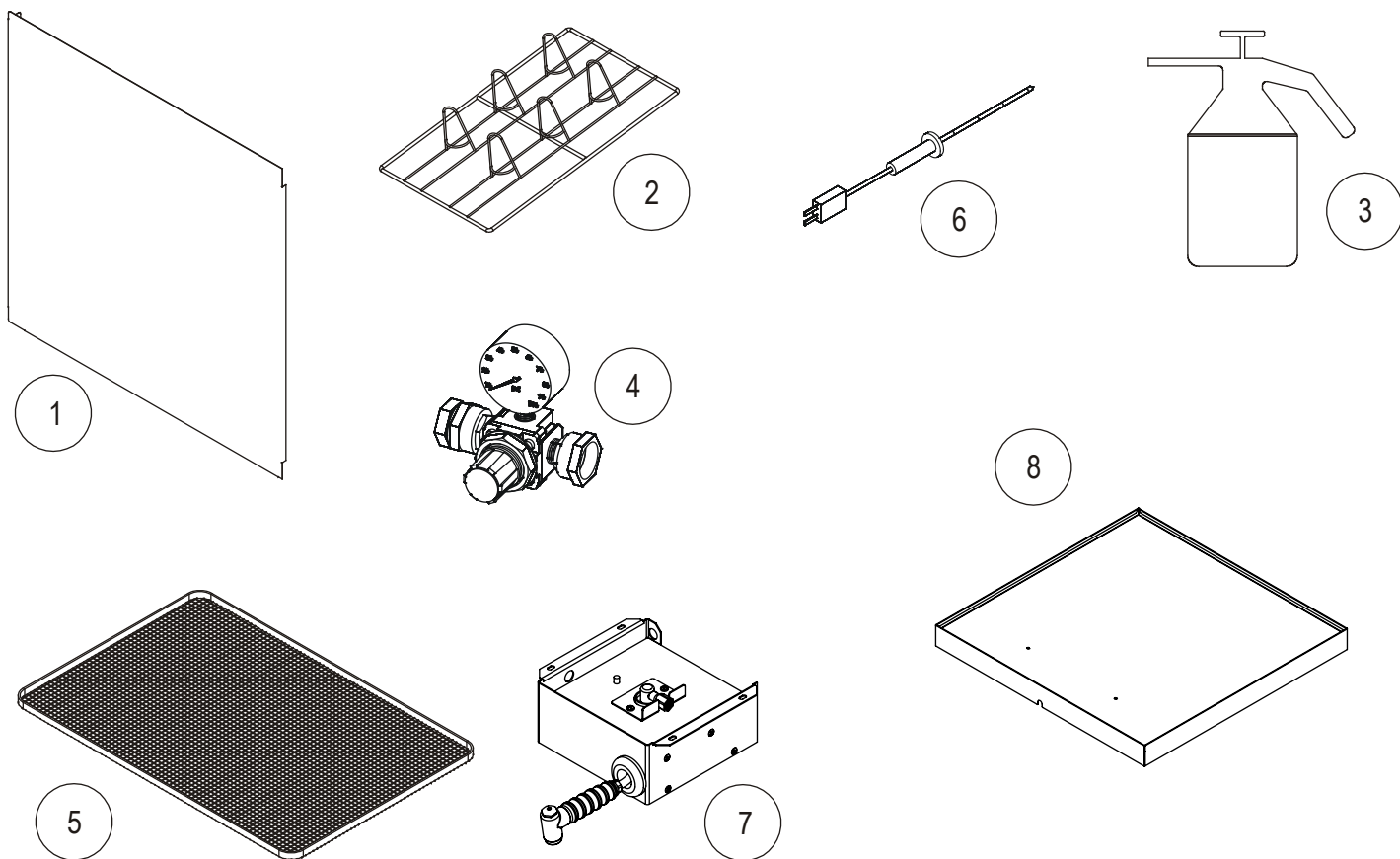
Ref. No.	Part No.	Description
1	51516	PROBE
2	57843	RESTRICTOR PLATE
3	54672	BLOWER, 208/240V
4	R8216	1/4-20 SERRATED FLANGE NUT
5	58618	CLAMP
6	38610	CAPACITOR

Ref. No.	Part No.	Description
7	61645	BRACKET, CAPACITOR
8	50617	ACTUATOR, 24V
9	57726	GASKET, HELIX
10	57671	FLAPPER GASKET
11	57668	HELIX MECH.

HVH-100E & HVH-100E-AB OVENS

ACCESSORIES

FOR ALL OVENS



Ref. No.	Part No.	Description	Ref. No.	Part No.	Description
1	52889	HEAT SHIELD KIT		53058	11" LEGS W/FEET (SET OF 4)
2	52387	CHICKEN ROASTING RACK		53059	11" LEGS W/SEISMIC FEET (SET OF 4)
3	R10955	SPRAY BOTTLE	6	56545	MEAT PROBE, 4", DUAL SENSOR
4	52815	PRESSURE REGULATOR, W/O HOSE REEL	6	56546	MEAT PROBE, 6", DUAL SENSOR
	54734	PRESSURE REGULATOR W/HOSE REEL		59292	SPRAY NOZZLE/PROBE HOLDER BRACKET
5	54247	FRENCH FRY RACK		59176	WATER MANIFOLD
	8598	25" S/S LEGS W/FEET (SET OF 4)	7	54674	EXTERNAL HOSE REEL
	16002	CASTERS (SET OF 4)		52998	SPRAY NOZZLE (PUSH BUTTON) FOR HOSE REEL
	57712	36" OPEN STAND W/GUIDES AND FEET		59837	SPRAY NOZZLE ONLY (FOR EXTERNAL SPRAY HOSE)
	57689	36" OPEN STAND W/GUIDES AND CASTERS		R10889	EXTERNAL SPRAY HOSE (W/O NOZZLE)
	33196	6" SEISMIC LEGS (SET OF 4)	8	101137	STACKING KIT
	8600	6" S/S LEGS W/FEET (SET OF 4)			
	53057	8-1/2" LEGS W/CASTERS (SET OF 4)			