



PARTS LIST

DIRECT STEAM POWER TILTING OR STATIONARY KETTLES

30, 40, 60 GALLON

MODELS: KCH-30, 40, 60DS

April 6, 2007

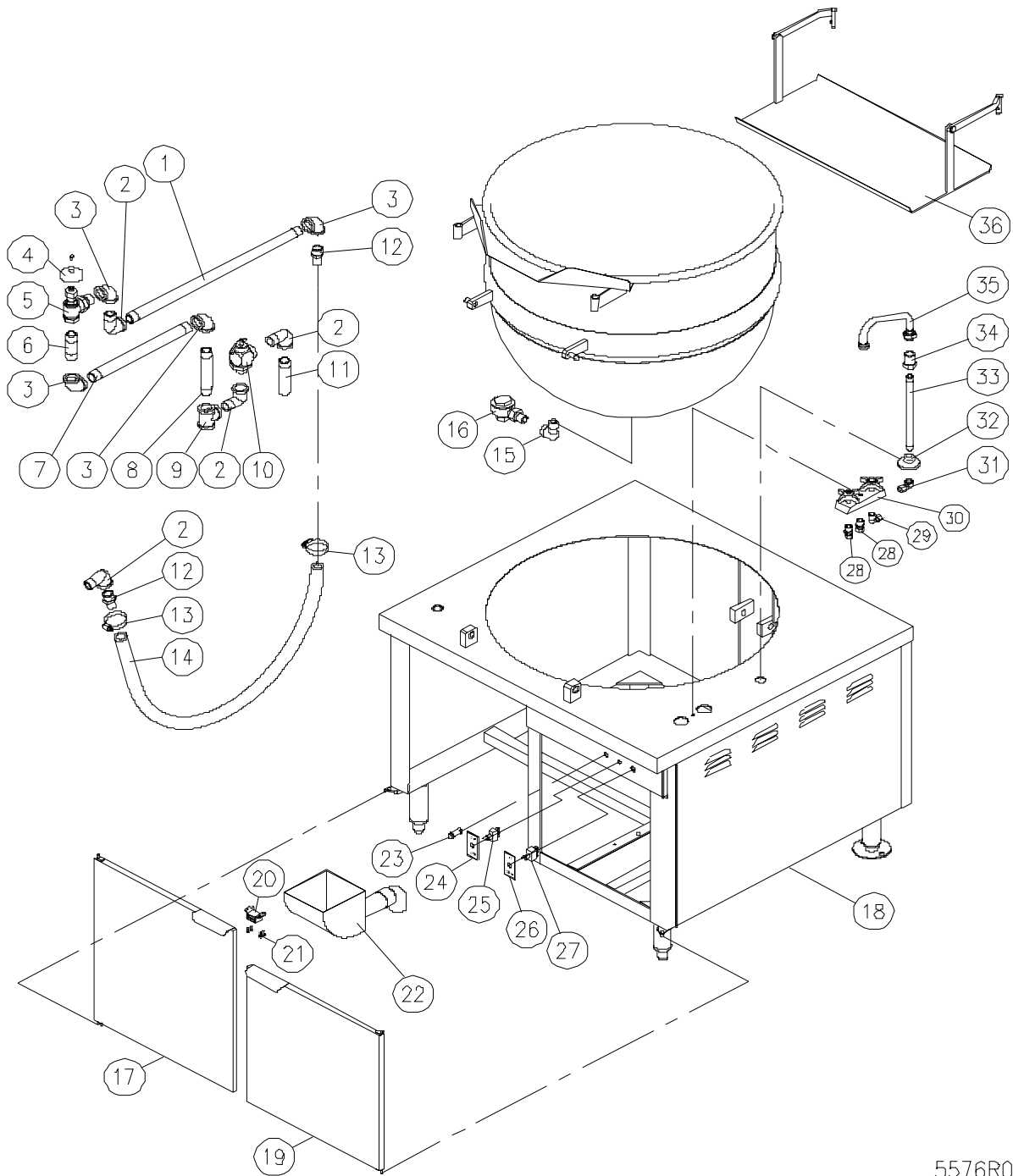
BLODGETT OVEN CO ▪ 44 lakeside Ave ▪
Burlington, VT 05446

Tel. 800-331-5842 ▪ Fax 802-860-3732 ▪

www.blodgett.com

2007-06-26

PARTS LIST, DIRECT STEAM TILTING OR STATIONARY KETTLES
 KCH-30DS, KCH-40DS, KCH-60DS



5576R0

PARTS LIST, DIRECT STEAM TILTING OR STATIONARY KETTLES
KCH-30DS, KCH-40DS, KCH-60DS

FIGURE 1

<u>ITEM</u>	<u>Part Number</u>	<u>DESCRIPTION</u>	<u>40</u>	<u>60</u>	
1	42936	Pipe 3/4 x 22"	1	1	
2	41791	St. Elbow 3/4"	4	4	
3	41789	Elbow 3/4"	4	4	
4	40606	Valve Knob	1	1	
5	40609	Steam Control Valve	1	1	
6	41784	Nipple, 3/4 x 3" LG	1	1	
7	42935	Nipple, 3/4 x 12" LG	1	1	
8	42931	Nipple, 3/4 x 5-1/4" LG	1	1	
9	42940	Tee, 3/4"	1	1	
**	10	40612	Relief Valve, 35 psi	1	1
		40613	Relief Valve, 50 psi	1	1
11	41044	Relief Valve Extension	1	1	
12	42953	Hose Coupler, 3/4"	2	2	
13	42943	Gear Clamp, 11/16 - 1-1/2"	2	2	
**	14	40527	Steam Hose	1	
		40528	Steam Hose		1
15	41790	St. Elbow, 1/2"	1	1	
16	40615	Steam Trap	1	1	
17	40347	Left Hand Door,	1	1	
	41470	Left Hand Door,	1	1	
18	41472	Side Panel	2	2	
**	19	41466	Right Hand Door,		1
		41467	Right Hand Door,	1	
**	19	41466	Right Hand Door, 60		1
		41467	Right Hand Door, 60	1	

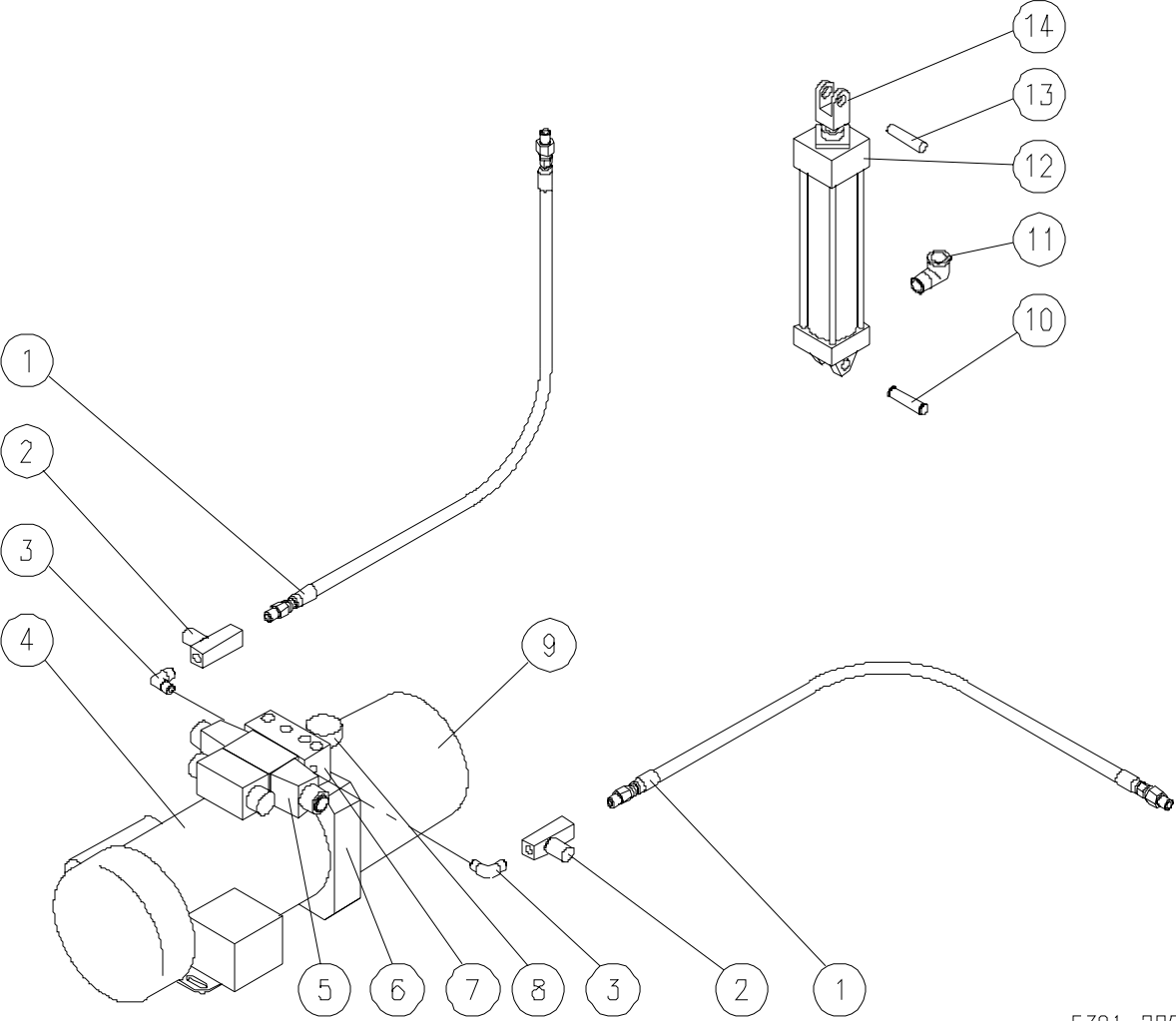
PARTS LIST, DIRECT STEAM TILTING OR STATIONARY KETTLES
KCH-30DS, KCH-40DS, KCH-60DS

<u>ITEM</u>	<u>Part Number</u>	<u>DESCRIPTION</u>	<u>40</u>	<u>60</u>	
20	41140	Magnetic Catch	2	2	
21	40006	Catch Screws	8	8	
22	41901	Funnel Assembly	1	1	
*	41902	Swivel Drain Assembly	1	1	
*	41903	Funnel Strainer	1	1	
23	40948	Pilot Light - Amber	1		
24	43385	ON/OFF Decal	1		
25	41883	Power Switch	1		
26	43386	Tilt Decal	1		
27	41884	Tilt Switch	1		
28	40431	Connector, 3/8 c x 3/8 NPT	2	2	
29	40445	Elbow, 3/8 c x 3/8 NPT	1	1	
30	42381	Mixing Valve	1	1	
31	43387	Elbow, 3/8 c x 1/4 NPT	1	1	
32	42017	Riser Mounting Base	1	1	
**	33	42378	Riser, 3/8 x 9"	1	1
		42379	Riser, 3/8 x 12"	1	1
34	42019	Swivel	1	1	
35	42015	6" Swing Spout	1	1	
36	41217	Pan Carrier	1		

* NOT SHOWN.

** SELECT AS REQUIRED.

PARTS LIST, DIRECT STEAM TILTING OR STATIONARY KETTLES
KCH-30DS, KCH-40DS, KCH-60DS



5391-2R0

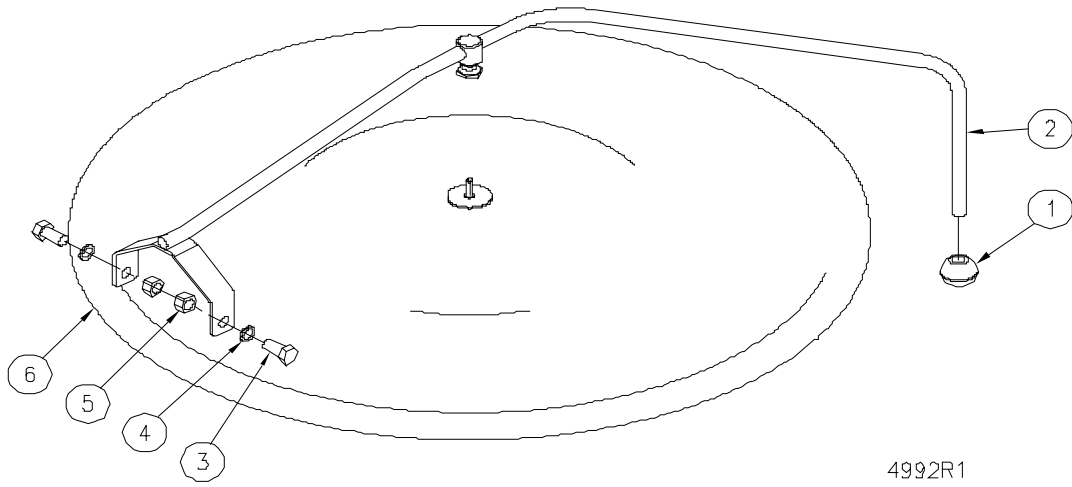
PARTS LIST, DIRECT STEAM TILTING OR STATIONARY KETTLES
KCH-30DS, KCH-40DS, KCH-60DS

FIGURE 2

<u>ITEM</u>	<u>Part Number</u>	<u>DESCRIPTION</u>	<u>KCH</u>	
1	40786	HOSE ASSEMBLY	2	
2	40787	Flow Control	2	
3	40788	Elbow	2	
**	4	40649	Motor, 115/208/240V	1
**		40650	Motor, 380/480V (Optional)	1
**		40651	Motor, 220V, 50 Hz (Optional)	1
*		40792	Fan Blade	1
5	40652	Directional Valve	1	
* **		40789	Coil, 120V	2
* **		40790	Coil, 240V, (Optional)	2
* **		40791	Coil, 220V, (Optional)	2
6	41928	Pump c/w Integral Relief Valve	1	
*		40897	Coupling	1
7	40793	Manifold	1	
8	41937	LHA Breather	1	
9	41929	Tank	1	
10	43388	Pin - Bottom	1	
11	40657	Street Elbow - Bottom	2	
12	40660	Cylinder	1	
*		42255	Cylinder Seal Kit	
13	41932	Clevis Pin c/w Clips (Top)	1	
14	41931	Clevis Rod (Top)	1	

FIGURE 3

PARTS LIST, DIRECT STEAM TILTING OR STATIONARY KETTLES
KCH-30DS, KCH-40DS, KCH-60DS



4992R1

PARTS LIST, DIRECT STEAM TILTING OR STATIONARY KETTLES
KCH-30DS, KCH-40DS, KCH-60DS

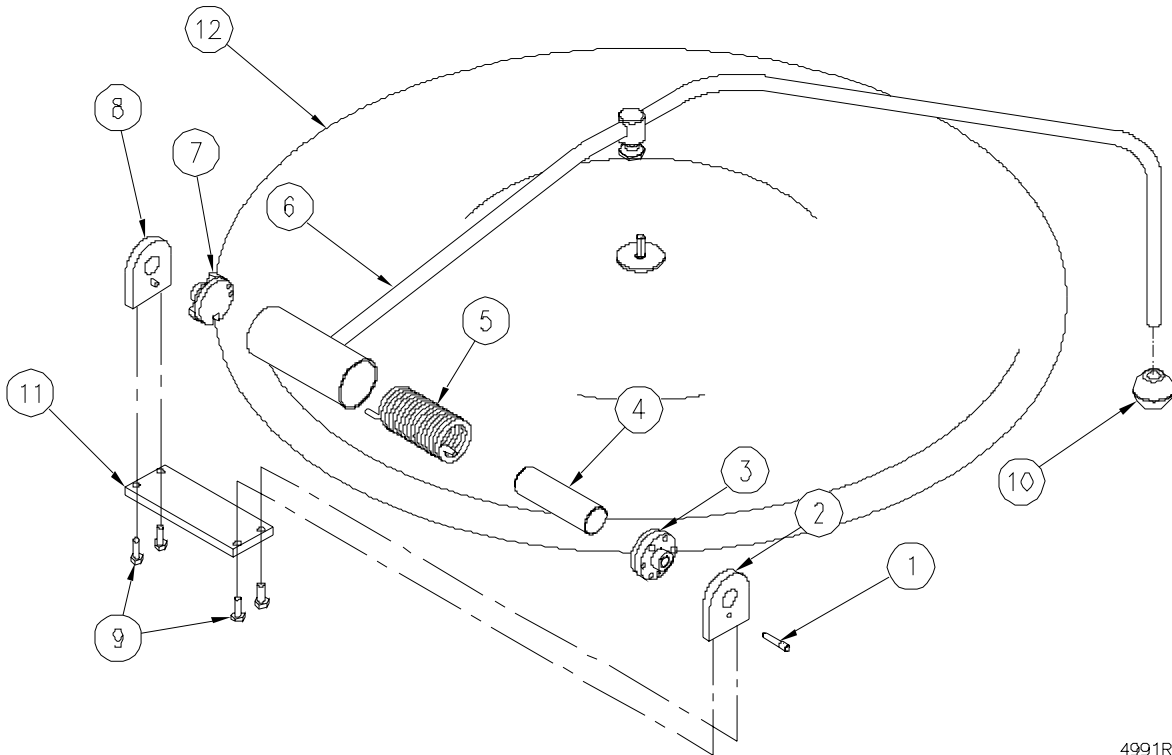
<u>ITEM</u>	<u>Part Number</u>	<u>DESCRIPTION</u>	<u>QUANTITY</u>
1	40259	Knob	1
**	2	42170	Handle Assembly, 20 gal. Kettle
		42160	Handle Assembly, 30 gal. Kettle
		42162	Handle Assembly, 40 gal. Kettle
		42164	Handle Assembly, 60 gal. Kettle
3	40109	Bolt	2
4	43389	Fiber Washer	4
5	401114	Nut	2

For covers, see Figure 4.

** SELECT AS REQUIRED.

PARTS LIST, DIRECT STEAM TILTING OR STATIONARY KETTLES
KCH-30DS, KCH-40DS, KCH-60DS

FIGURE 4



4991R2

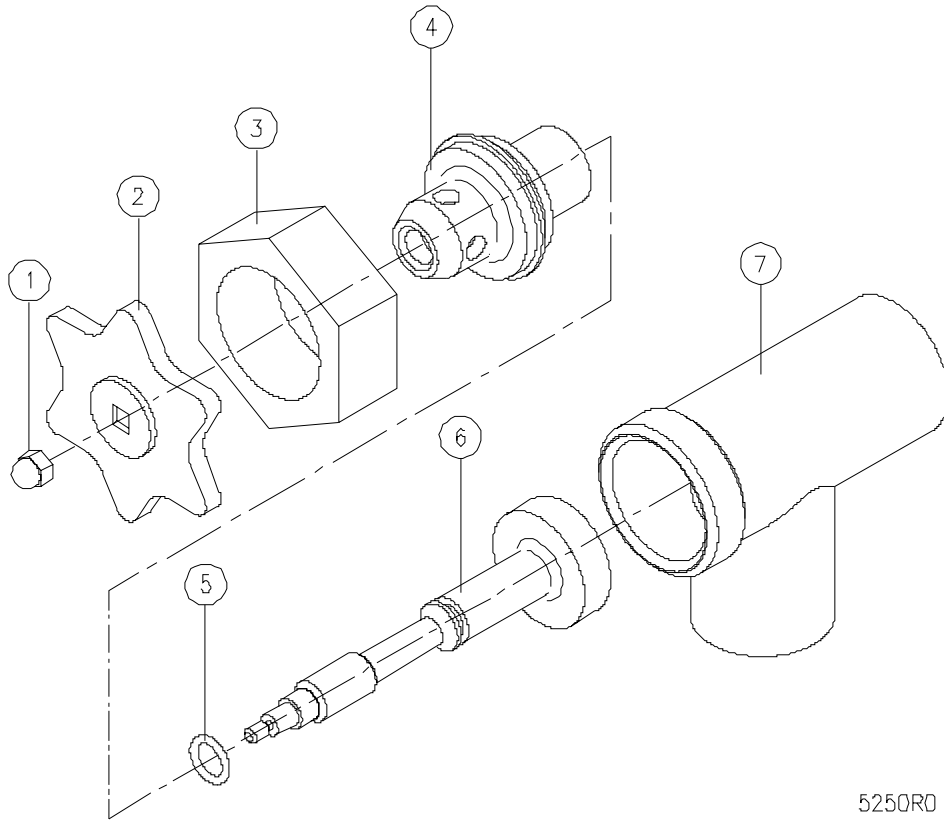
PARTS LIST, DIRECT STEAM TILTING OR STATIONARY KETTLES
KCH-30DS, KCH-40DS, KCH-60DS

FIGURE 4

<u>ITEM</u>	<u>Part Number</u>	<u>DESCRIPTION</u>	<u>QUANTITY</u>
1	41543	Lock Pin	1
2	41546	End Lock Plate	1
3	43106	Stationary Disc	1
4	41100	Core	1
5	41526	Spring	1
6 **	40910	Handle Assembly, 20 Gal. Kettle (8-2028-M)	1
	40911	Handle Assembly, 30 Gal. Kettle (8-2028-1M)	1
	40912	Handle Assembly, 40 Gal. Kettle (8-2028-2M)	1
	42164	Handle Assembly, 60 Gal. Kettle (8-2027-M)	1
7	43107	Rotary Disc	1
8	41520	End Stop Plate	1
9	40098	Cap Screws	4
10	40259	Knob	1
11	42286	Hinge Mounting Plate	1
12 **	41512	Covers, 20 Gallon Kettle	1
	41513	Covers, 30 Gallon Kettle	1
	41514	Covers, 40 Gallon Kettle	1
	41515	Covers, 60 Gallon Kettle	1

** SELECT AS REQUIRED.

PARTS LIST, DIRECT STEAM TILTING OR STATIONARY KETTLES
KCH-30DS, KCH-40DS, KCH-60DS



5250RD

DRAW-OFF VALVE

FIGURE 5

PARTS LIST, DIRECT STEAM TILTING OR STATIONARY KETTLES
KCH-30DS, KCH-40DS, KCH-60DS

<u>ITEM</u>	<u>Part Number</u>	<u>DESCRIPTION</u>	<u>QUANTITY</u>
	40553	1-1/2" DRAW-OFF VALVE ASSEMBLY	
1	41809	Acorn Nut 10-24 UNC	1
2	40662	Handle, Stainless Steel	1
3	40559	Gland Nut	1
4	40560	Bonnet	1
5	40562	"O" Ring	1
6	40561	Stem Assembly	1
7	43246	Valve Body	1

PARTS LIST, DIRECT STEAM TILTING OR STATIONARY KETTLES
KCH-30DS, KCH-40DS, KCH-60DS

<u>ITEM</u>	<u>Part Number</u>	<u>DESCRIPTION</u>	<u>QUANTITY</u>
	40554	2" DRAW-OFF VALVE ASSEMBLY	
1	41809	Acorn Nut 10-24 UNC	1
2	40662	Handle, Stainless Steel	1
3	40563	Gland Nut	1
4	40564	Bonnet	1
5	40566	"O" Ring	1
6	40565	Stem Assembly	1
7	42481	Valve Body	1

<u>ITEM</u>	<u>Part Number</u>	<u>DESCRIPTION</u>	<u>QUANTITY</u>
	40556	3" DRAW-OFF VALVE ASSEMBLY	
1	40567	Acorn Nut, 7/16-14 UNC	1
2	40568	Handle, Stainless Steel	1
3	40569	Gland Nut	1
4	40570	Bonnet	1
5	40572	"O" Ring	1
6	43390	Stem Assembly	1
7	43248	Valve Body	1