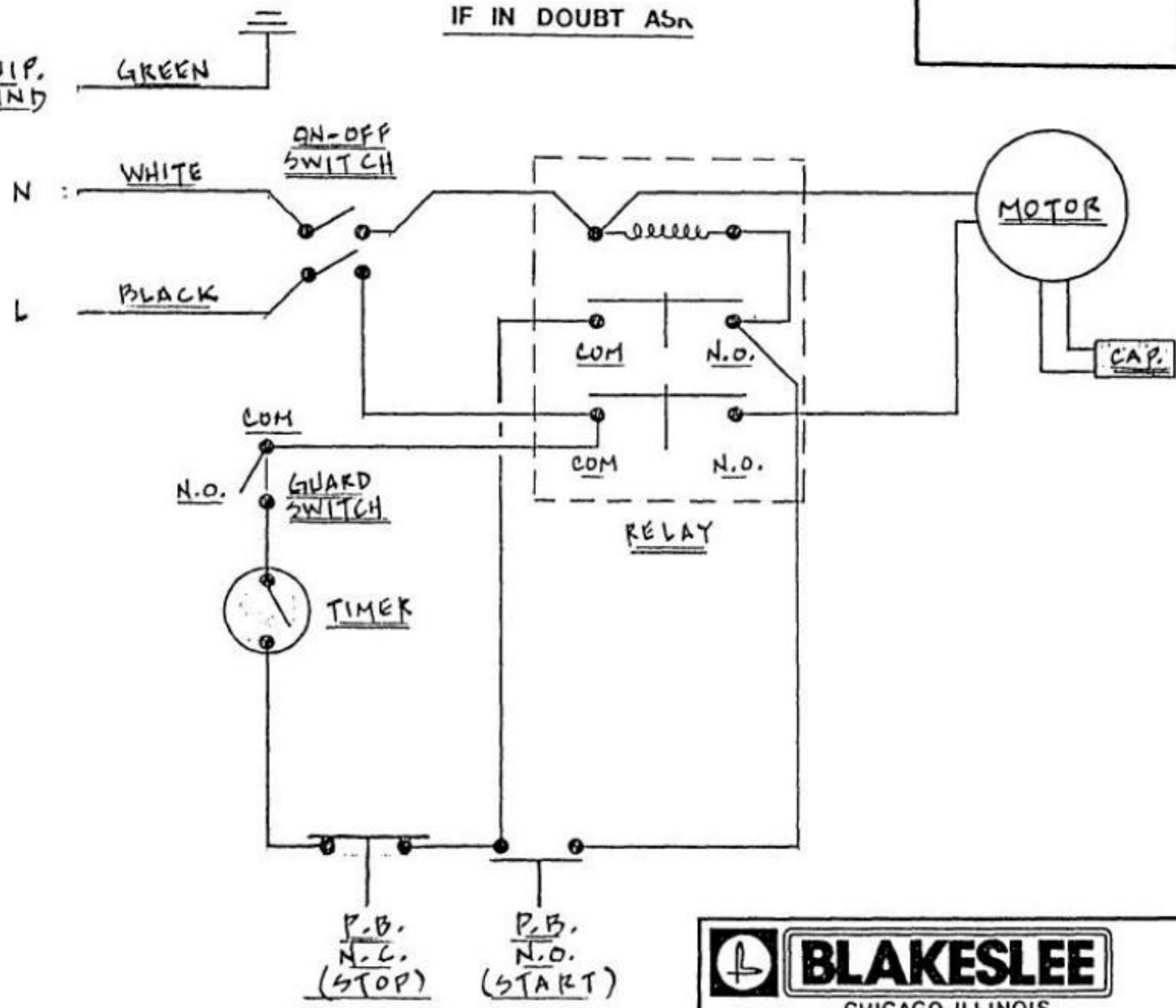


IF IN DOUBT ASn

EQUIP.  
GROUND



38



Commercial Dishwashing  
& Kitchen Equipment  
- Since 1880 -

BOWL GUARD WIRING DIAGRAM

TOLERANCES UNLESS OTHERWISE NOTED:  
FRACTIONAL ±  
DECIMAL ±

ISSUE	DESCRIPTION	BY	DATE
RECORD OF CHANGES			

DR BY	SCALE NTS	DATE 2-4-94
FIRST MADE FOR	MODEL 20/30 QT. MIXERS	DWG. NO. M-1-73676