

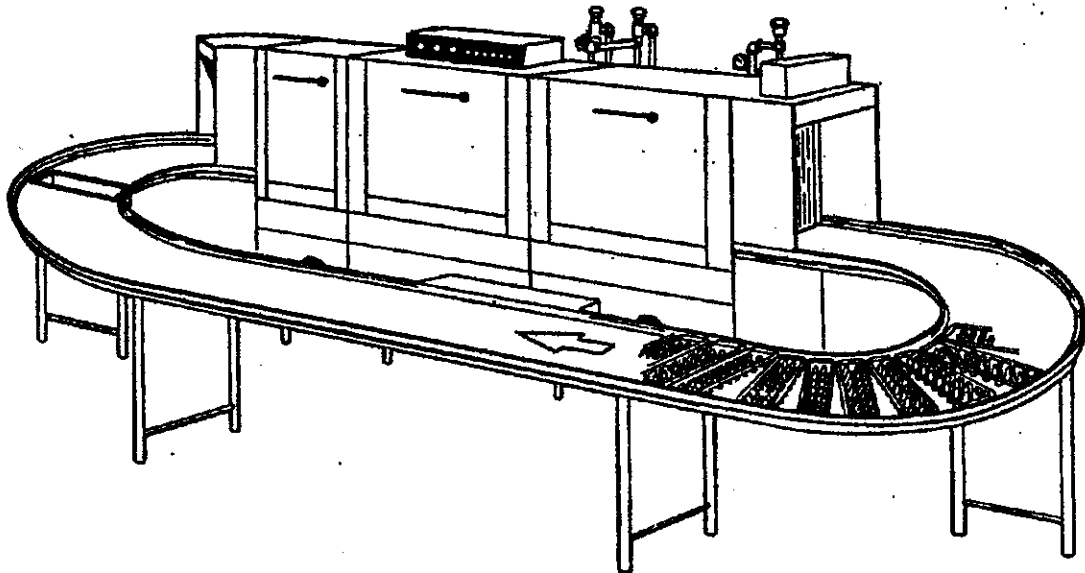


ILLUSTRATED PART'S MANUAL

BLAKESLEE

Division of Blako Inc

FLIGHT – A – ROUND TYPE DISHWASHER



I.R.S.† Integrated Recirculating System Design

1844 South Laramie Avenue
Chicago, IL 60804
Phone (708) 656-0660
Fax (708) 656-0017

www.blakesleeinc.com
service@blakesleeinc.com

1149 Bellamy Road North Unit 19
Scarborough, Ontario Canada
M1H1H7
Phone (416) 751-2625
Fax (416) 751-8539

Revision 4/2006

Flight-A-Round Type Dishwasher Table of Contents

Page	DESCRIPTION
1	Table of Contents
2	Tank Weldment, Door and Support Weldment, Figure 1
3	Tank Weldment, Door and Support Weldment, Parts List
4	Spray Boxes, Spray Tubes and Scrap Trays, Figure 2
5	Spray Boxes, Spray Tubes and Scrap Trays, Parts List
6	Recirculating System, Drain & Overflow Assembly, Front and Back Panels, Figure 3
7	Recirculating System, Drain & Overflow Assembly, Front and Back Panels, Parts List
8	Stand Pipe Selector Chart
9	Pump Motors
10	Main Control Box Components
11	Door Safety Switch Assembly
12	Door Safety Switch / Latch Bar Chart
13	Liquid Level Control
14	Electric Heat Components, Figure 9
15	Electric Heat Components, Parts List
16	Steam Coil Assembly, Figure 10
17	Steam Coil Assembly, Parts List
18	Steam Injector, Figure 11
19	Steam Coil Assembly, Parts List
20	Fill Line Plumbing Assembly, Figure 12
21	Fill Line Plumbing Assembly, Parts List
22	Final Rinse Plumbing Assembly, Figure 13
23	Final Rinse Plumbing Assembly, Parts List
24	Final Rinse Economizer Controls Assembly
25	Trip Gate Assembly
26	Carrier Assembly Type "C", Figure 16
27	Carrier Assembly Type "C", Parts List
28	Carrier Assembly Type "C", Figure 17
29	Carrier Assembly Type "C", Parts List
30	Special Open Design Carrier Assembly, Figure 18
31	Special Open Design Carrier Assembly, Figure 19
32	Carrier Assembly Type "C", Figure 20 (Triple Link)
33	Tracks, Figure 21
34	E Drive Assembly, Figure 22
35	E Drive Assembly, Parts List
36	E Drive Assembly, Parts List
37	Table Components, Figure 23
38	Table Components, Parts List
39	Hood and Vent Assemblies, Figure 24
40	Hood and Vent Assemblies-with pre-flusher, Figure 25
41	Hood and Vent Assemblies-with pre-flusher, parts List
42	Overshelves, Figure 26
43	Pre-flusher Pre-rinse Plumbing 10/1/1976, Figure 27
44	Pre-flusher Pre-rinse Plumbing 10/1/1976
45	Steam Booster, Figure 28
46	Steam Booster, Parts List
47	One Man Cost Control Light Box, Figure 29
48	One Man Cost Control Box Station, Figure 30
49	One Man Cost Control Box Station, Parts List
50	One Man Cost Control Polyflex Timer, Figure 31
51	One Man Cost Control Polyflex Timer, Parts List
52	One Man Cost Control Polyflex Timer, Parts List
53	Scrap Accumulator, Flushveyor & Disposers, Figure 32
54	Scrap Accumulator, Flushveyor & Disposers, Parts List
55	Scrap Accumulator, Figure 32A
56	Flushveyor-Part 1, Figure 33

Page	DESCRIPTION
57	Flushveyor-Part 1, Parts List
58	Flushveyor-Part 2, Figure 34
59	Flushveyor-Part 2, Parts List
60	Flushveyor Plumbing, Figure 36A
61	Flushveyor Plumbing, Parts List
62	Flushveyor Standard Control Box, Figure 35
63	Flushveyor Bi-directional Disposer Control Box, Figure 36
64	Electrical Controls for Disposers used without Flushveyor, Figure 36A
65	Electrical Controls for Disposers used without Flushveyor, Parts List
66	Screw Conveyor Trough, Figure 37
67	Screw Conveyor Trough, Parts List
68	Alternate Screw Conveyor and Trough, Figure 37A
69	Alternate Screw Conveyor and Trough, Parts List
70	Accumulator Trough, Figure 38
71	Disposer and Trough (Special Design) Figure 39
72	Econo Blower, Figure 40
73	712 Blower Dryer, Figure 41
74	712 Blower Dryer, Parts List
75	Basic Electrical Material List
76	Basic Electrical Material List
77	Basic Electrical Material List
78	Warranty
79	Service & Parts Distributors
80	Service & Parts Distributors

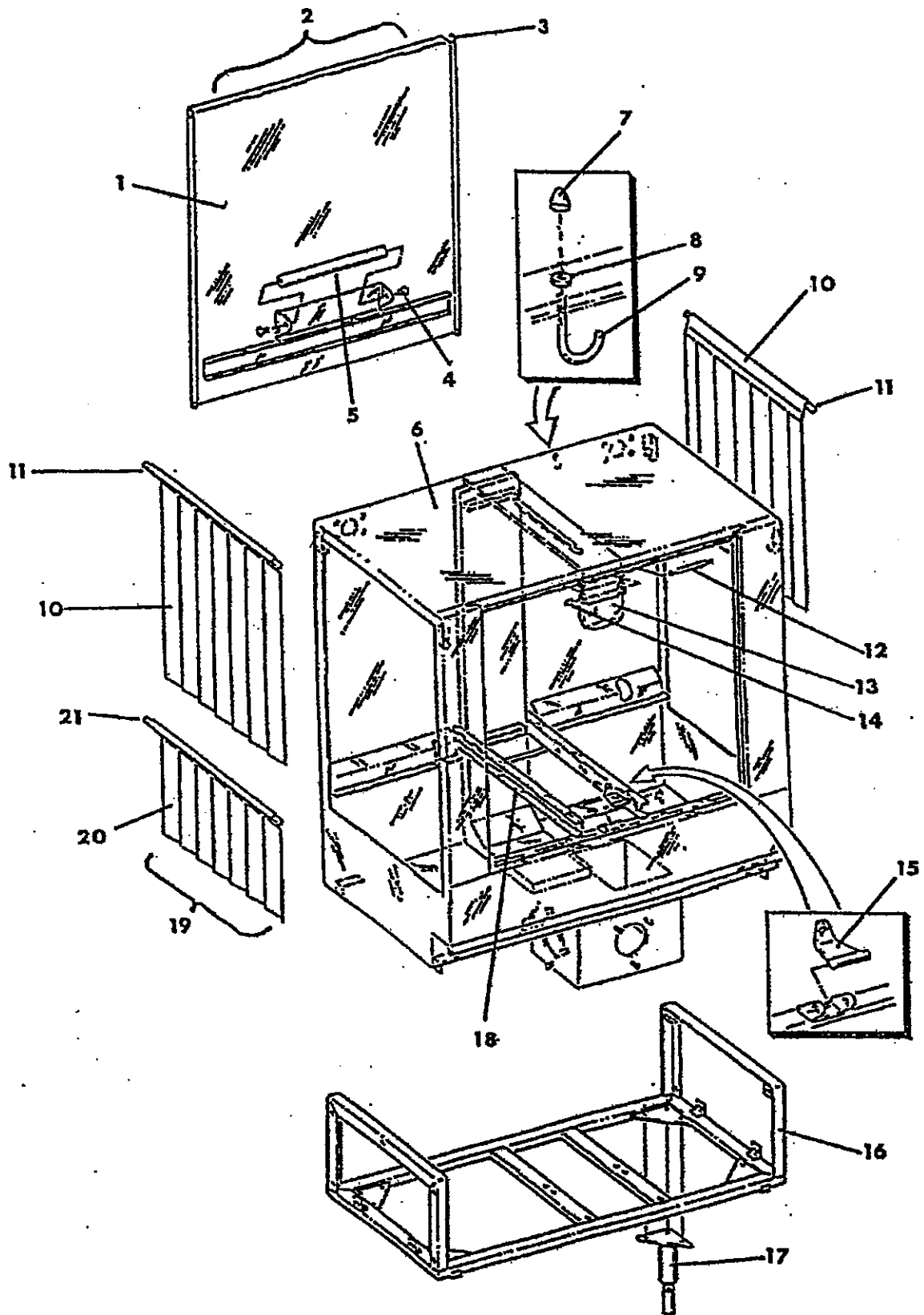


FIGURE: 1. TANK WELDMENT, DOOR & SUPPORT WELDMENT

TANK WELDMENT, DOOR & SUPPORT WELDMENT

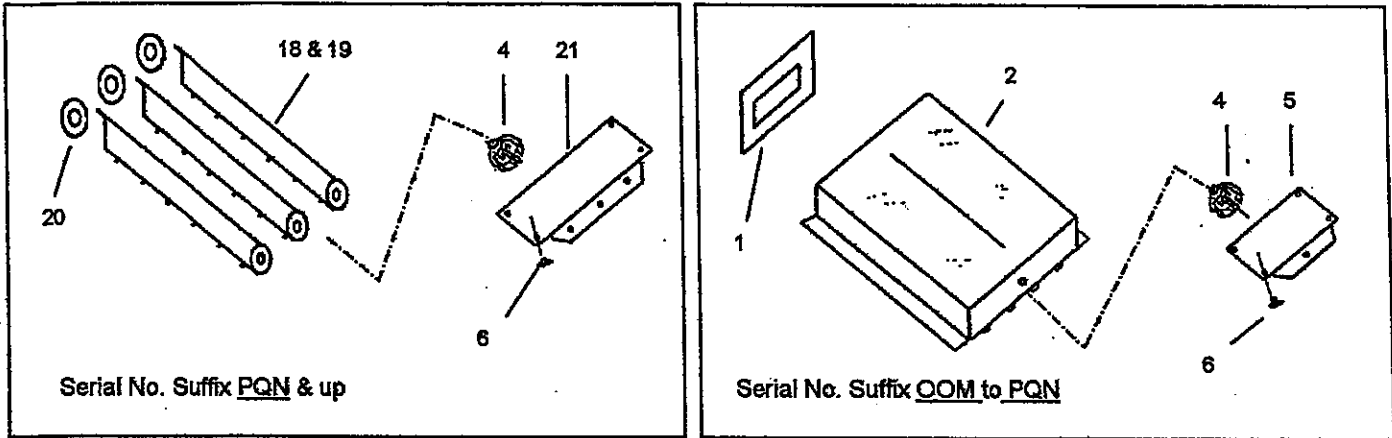
ITEM NO.	PART NO.		DESCRIPTION
	Standard	X-Wide	
1	—	—	Discontinued (Replace with Assembly)
2	13775	13775	* P Tank Door Assembly
	13774	13774	* E, L & M Tank Door Assembly
	73583	73583	6" Higher, P Tank Door Assembly
	73584	73584	6" Higher, E, L & M Tank Door Assembly
	73801	73801	Standard Height Split Door P Tank, Upper
	73803	73803	Standard Height Split Door E,L,M Tank, Upper
	73804	73804	Standard Height Split Door P Tank, Lower
	73805	73805	Standard Height Split Door E,L,M Tank, Lower
	76300	76300	6" Higher, Split Door P Tank, Upper
	76294	76294	6" Higher, Split Door E,L,M Tank, Upper
	76303	76303	6" Higher, Split Door P Tank, Lower
	76297	76297	6" Higher, Split Door E,L,M Tank, Lower
3	1122	1122	Plug – Bumper (4 Req.)
4	95808	95808	Screw – Truss HD. 1/4-20x3/4 in. (2 Req.)
5	73128	73128	Handle
6	73089	74290	Weldment – P Tank
	72951	74275	Weldment – E Tank
	72916	74095	Weldment – L Tank
	72950	74280	Weldment – M Tank
7	8140	8140	Nut – Acorn, 1/4-20 Stainless Steel (2 Req.)
8	7146	7146	Nut – Hex, 1/4-20 Stainless Steel (2 Req.)
9	12951	12951	Hook (2 Req.)
10	8851	8852	Curtain (2 Req.)
	99354	99411	6" Higher Curtain (2 Req.)
11	5616	5678	Rod – Curtain (2 Req.)
12	7025	7025	Pin – Door Retainer
13	5860	5860	Retainer – Door
14	8140	8140	Nut – Acorn, 1/4-20 Stainless Steel (2 Req.)
15	5541	5541	Pilot Carrier - Lower
16	73404	9096	Weldment – P Tank Support
	73405	9097	Weldment – E Tank Support
	73406	9098	Weldment – L Tank Support
	73407	9099	Weldment – M Tank Support
17	8570	8570	Weldment – Stainless Steel Foot
	5933	5933	Screw – Hex Head, Cap, 3/8-16x1/2 in. (3 Req.)
	17245	17245	Lock Washer, 3/8 (3 Req.)
18	72833	74529	Weldment – Track E, L & M Tank
19	12939	12953	+ Short Curtain Assembly
20	12938	12952	Curtain – Short
21	18437	18463	Rod – Curtain, Short

P – 24 in. Tank
 E – 36 in. Tank
 L – 40 in. Tank
 M – 50 in. Tank

* Includes items 1,3,4 & 5

+ Includes Items 7, 8, 9, 20 & 21

UPPER SPRAY



LOWER SPRAY

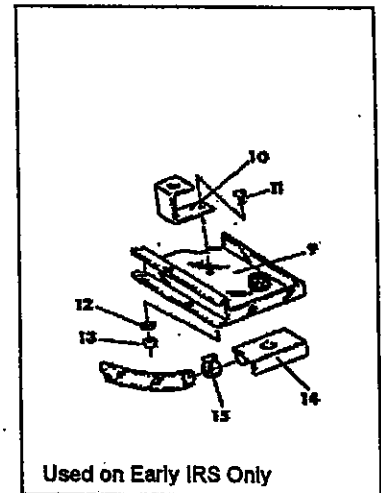
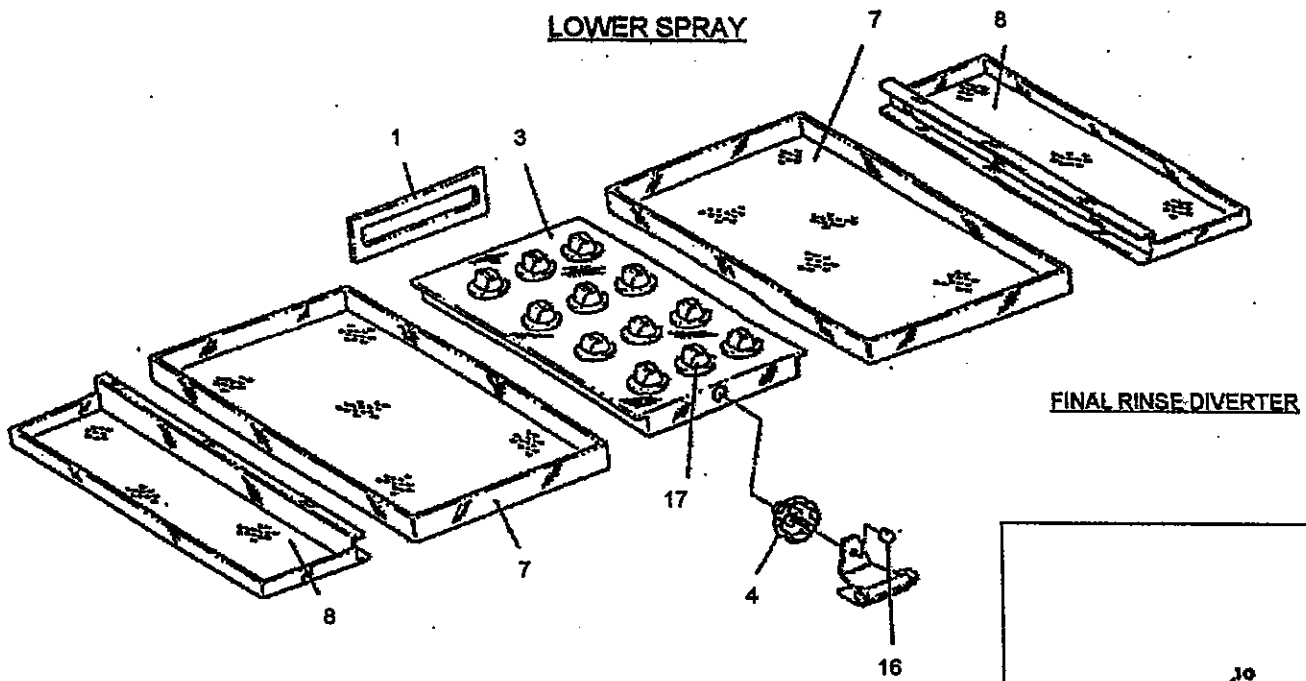


FIGURE: 2. SPRAY BOXES, SPRAY TUBES & SCRAP TRAYS

SPRAY BOXES, SPRAY TUBES AND SCRAP TRAYS

ITEM NO.	PART NO.		DESCRIPTION
	Standard	X-Wide	
1	73163	**	Spray Box Gasket
2	72814	74232	Upper Spray Box Weldment
3	72811	74528	Lower Spray Box Weldment
4	05542	**	Pilot Screw
5	09109	**	Pilot Carrier
6	08146	**	1/4-20 x 3/8 Rd. Head M.S. Stainless Steel
7	72864	74401	Scrap Tray w/o Lower Spray Tube P-Tank
	73666	74400	Scrap Tray with Lower Spray Tube P-Tank
	72794	74295	Scrap Tray E Tank
	14573	18111 *	Scrap Tray E Tank
	72921	74115	Scrap Tray L & M Tank
	03710	05452 *	Scrap Tray L & M Tank
8	73643	74411	End Filler Weldment P Tank
	04793	05548 *	End Filler Weldment P Tank
	73566	74411	End Filler Weldment E & L Tank
	05411	05549 *	End Filler Weldment E & L Tank
	73567	74413	End Filler Weldment M Tank
	05544	05550 *	End Filler Weldment M Tank
9	73639	74531	End Filler Weldment w/ Diverter E & L Tank
	16902	16905 *	End Filler Weldment w/ Diverter E & L Tank
	73641	74532	End Filler Weldment w/ Diverter M Tank
	16903	16906 *	End Filler Weldment w/ Diverter M Tank
10	95830	**	Pipe Retainer
11	08130	**	1/4-20 x 1/2" Stainless Steel Truss Head Screw
12	07007	**	1/4 Stainless Steel Lock Washer
13	07146	**	1/4-20 Stainless Steel Nut
14	07147	**	Tube Connector Weldment
15	07322	**	Hose Clamp
16	71684	**	Plastic Cap
17	03726	**	Spray Box Nozzle
18	72862	76310	Upper Spray Tube P Tank
19	74970	75542 *	Upper Spray Tube E, L & M Tank
20	76131	** *	Spray Tube Seal E, L & M Tank
21	75540	**	Upper Carrier

Items Not Illustrated

O-Ring Spray Tube P Tank
Lower Spray Tube P Tank

* Items used on machines with serial suffix Q Q N and up
** Same as Standard Width

RECIRCULATING SYSTEM, DRAIN & OVERFLOW ASSEMBLY
AND FRONT & BACK PANELS

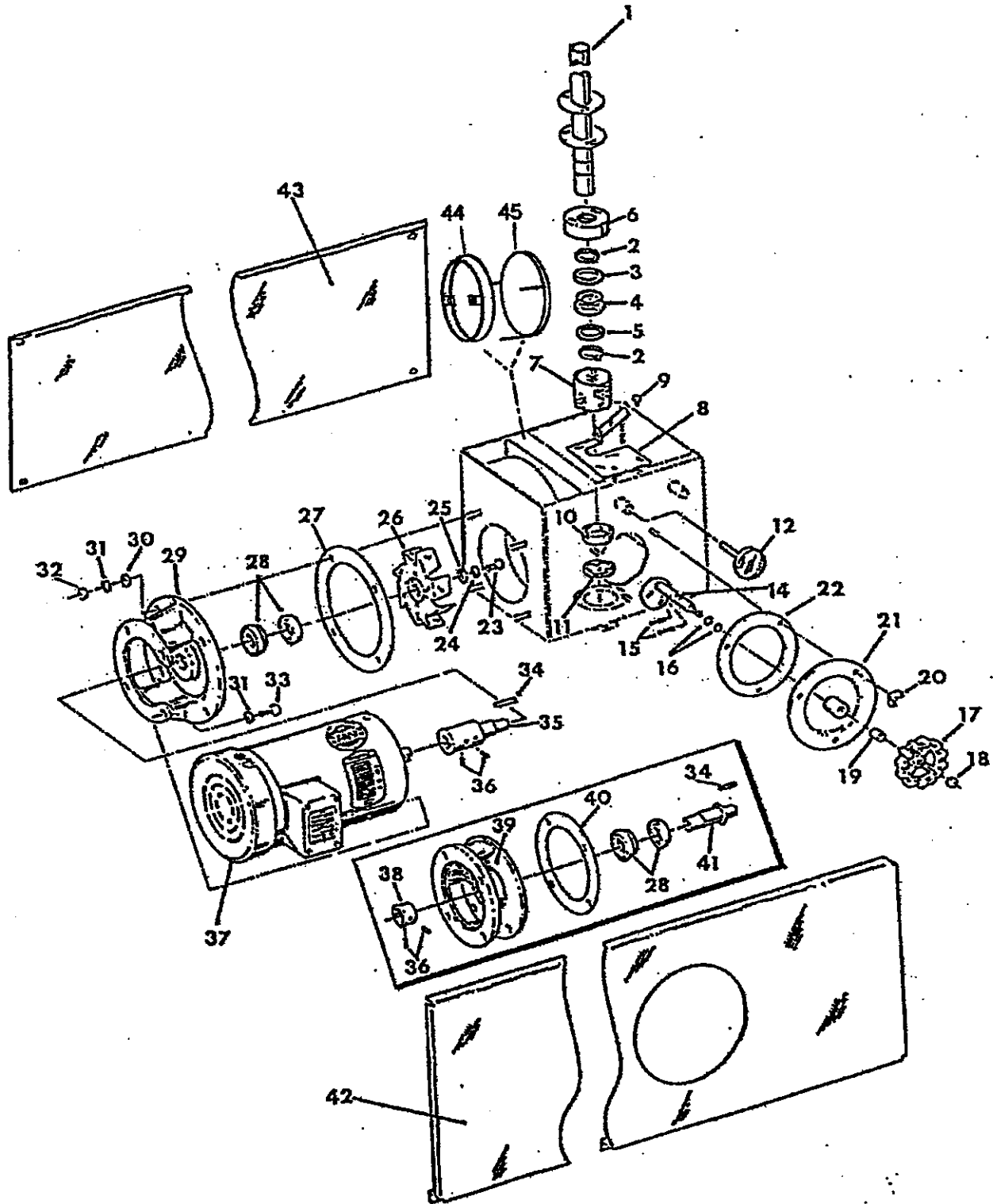


FIGURE: 3

MACHINES WITH SERIAL NUMBER SUFFIX OOM AND UP

**RECIRCULATING SYSTEM, DRAIN & OVERFLOW ASSEMBLY
AND FRONT & BACK PANELS**

ITEM	PART No.	DESCRIPTION	QTY
1	—	Stand Pipe Assembly – See Chart on page 8	2
2	18647	Retaining Ring	1
3	18645	Washer	1
4	18427	Drain Plug	1
5	18646	Washer	1
6	18641	Screen Retainer	1
7	18642	Screen	1
8	72801	Stand Pipe Guide	1
9	5953	Hex Head Mach. Screw 3/8-16 x 1/2"	2
10	18644	Drain Seat	1
11	18648	Guide Ring	1
12	7802	Thermometer	1
13	13898	Cam Shaft Assembly (Includes items 14 thru 18)	1
14	14802	Cam Shaft Weldment	1
15	14895	Stop Pin	2
16	10340	O-Ring	2
17	2924	Knob	1
18	18794	Hex Nut	1
19	13905	Spacer	1
20	13927	Wing Nut	3
21	14795	Door	1
22	14797	Door Gasket	1
23	7621	Hex Head Capscrew	1
24	5996	Lock Washer	1
25	5587	S/S Flat Washer	1
26	95673	Impeller	1
	77174	Impeller – P Tank <i>Old Style 95682</i>	1
27	74815	O-Ring	1
28	2255	Seal Assembly	1
29	4667	Bracket	1
30	8523	Sealing Washer	4
31	5994	Lock Washer	8
32	7115	Hex Nut	4
33	7656	Hex Head Capscrew	4
34	1658	Key – P Tank	1
35	17514	Impeller Spindle	1
36	7117	5/16-18 Nylock Set Screw – P Tank	2
37	—	Pump Motor – See Chart page 9	
38	7562	Collar– P Tank	1
39	13087	Bracket – P Tank	1
40	5871	Gasket – P Tank	1
41	95551	Impeller Spindle – P Tank	1
42	—	Front Panel	
42A	73082	Front Panel – P Tank	
42B	72943	Front Panel – E Tank	
42C	72919	Front Panel – L Tank	
42D	72942	Front Panel – M Tank	
43	—	Back Panel – Optional	
43A	72970	Back Panel – P Tank	
43B	72968	Back Panel – E Tank	
43C	72967	Back Panel – L Tank	
43D	72966	Back Panel – M Tank	
44	18431	Impeller Guard Housing Weldment	1
45	18428	Impeller Guard Disk Weldment	1
*	77085	Pump Kit for C/E/L/M Tanks (see page 8)	
*	77086	Pump Kit for P Tanks (see page 8)	

PARTS LIST FOR PUMP KITS

C/E/L/M Tanks Kit No. 77085

Item	Part No.	Description	Qty
23	07621	Hex Head Cap Screw	1
25	05587	S.S. Flat washer	1
26	95673	Impeller	1
27	74815	O-Ring	1
28	02255	Seal Ass'y	1
29	04667	Bracket	1
30	08523	Sealing Washer	4
31	05994	Lock Washer	8
32	07115	Hex Nut	4
34	01658	Key	1
35	17514	Impeller Spindle	1
36	07117	5/16-18 Nylock Set screw	2
P Tank Kit No. 77086			
23	07621	Hex Head Cap Screw	1
25	05587	S.S. Flat washer	1
26	77174	Impeller	1
27	05871	Gasket	1
28	2255	Seal Ass'y	1
29	13087	Bracket	1
30	08523	Sealing Washer	4
31	05994	Lock Washer	8
32	07115	Hex Nut	4
34	01658	Key	1
35	95551	Impeller Spindle	1
36	07117	5/16-18 Nylock Set screw	4
38	07562	Collar	1

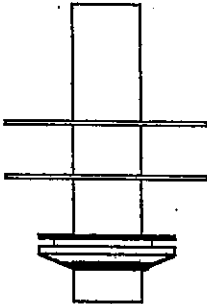
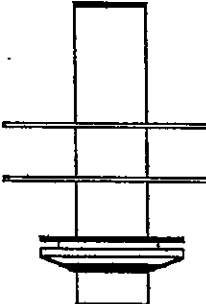
Part No.	18656	18639
		
F-E, F-L, F-M	Wash Tank	
F-PE, F-PL, F-PM	Prewash Tank	Wash Tank
F-EE, F-LL, F-MM	Wash Tank Rinse Tank	
F-PEE, F-PLL, F-PMM	Prewash Tank Rinse Tank	Wash Tank
F-EEE, F-LLL, F-MMM	Wash Tank Rinse Tank	Wash Tank

FIGURE: 4. STAND PIPE SELECTOR CHART

PUMP MOTORS

ITEM NUMBER	PART NUMBER	DESCRIPTION
		STANDARD 60 CYCLE MOTORS
37	07375	Motor- ½ H.P. "C" Flange, FR. 56, 115/230V. 1 Phase
37A	18059	Motor- ½ H.P. "C" Flange, FR. 56, 208V. 1 Phase (Special Order Only)
37B	07382	Motor- ½ H.P. "C" Flange, FR. 56, 208/340. 3 Phase
37C	08335	Motor- 2 H.P. "C" Flange, FR. 213, 115/230. 1 Phase
37D	08337	Motor- 2 H.P. "C" Flange, FR. 184, 208/220/440V. 3 Phase
37E	14475	Motor- 3 H.P. "C" Flange, FR.182TC
ADDITIONAL 60 CYCLE MOTORS		
37F	17798	Motor-1 H.P. "C" Flange, FR. 182, 115/208/230V. 1 Phase
37G	18060	Motor-1 H.P. "C" Flange, FR.56, 208V. 1 Phase (Special Order Only)
37H	08247	Motor- 1 H.P. "C" Flange, FR. 182, 208/220/440V.3 Phase
37I	08336	Motor- 1 ½ H.P. "C" Flange, FR. 184, 115/208/230V. 1 Phase
37J	18061	Motor- 1 ½ H.P. "C" Flange, FR. 184, 208V. 1 Phase (Special Order)
37K	08039	Motor- 1 ½ H.P. "C" Flange, FR. 184, 208/220/440V. 3 Phase
37L	17798	Motor-1 H.P. "C" Flange, FR. 182, 115/208/230V. 1 Phase
OPTIONAL 50 CYCLE MOTORS (Export Use Only)		
37M	16922	Motor- ½ H.P. "C" Flange, 115/230V. 1 Phase
37N	16923	Motor- ½ H.P. "C" Flange, 220/440V. 3 Phase
37O	16241	Motor- 1 H.P. "C" Flange, 220/440V. 1 Phase
37P	16300	Motor- 1 H.P. "C" Flange, 220/440V. 3 Phase
37Q	16924	Motor- 1 ½ H.P. "C" Flange, 115/230V. 1 Phase
37R	16243	Motor- 1 ½ H.P. "C" Flange, 220/440V. 3 Phase
37S	16925	Motor- 2 H.P. "C" Flange, 115/230V. 1 Phase
37T	16926	Motor- 2 H.P. "C" Flange, 115/230V. 3 Phase
Not Shown Used in Quick Start System		
	W-0-77245	220 Volt Pump & Motor for Quick Start Wash Tank Fill (Call Factory)
	W-0-77252	115 Volt Pump & Motor for Quick Start Wash Tank Fill
	W-0-07201	Transformer use with Pump 77252 in 220/480 Volt Machines

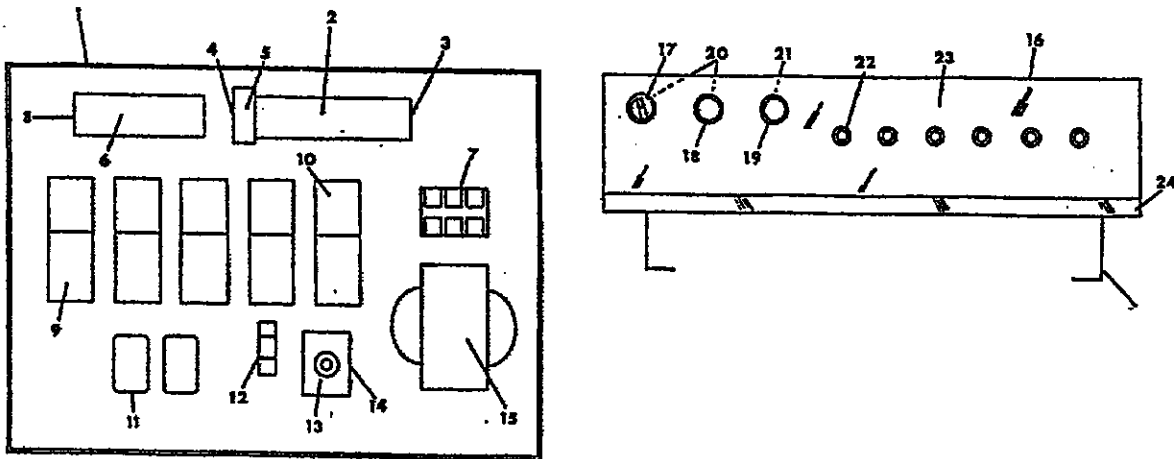
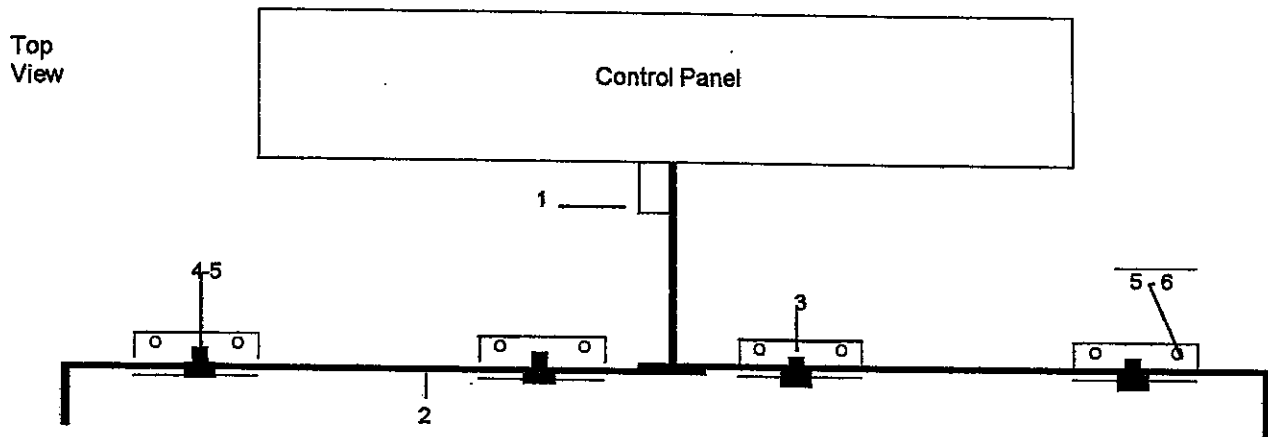


FIGURE: 5. MAIN CONTROL BOX COMPONENTS

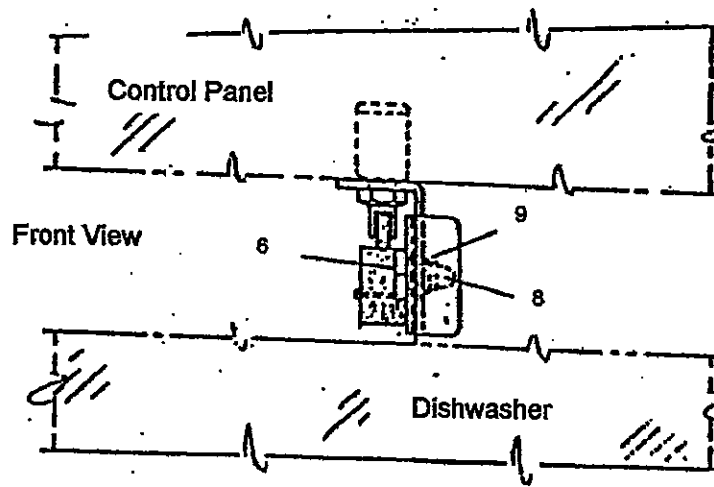
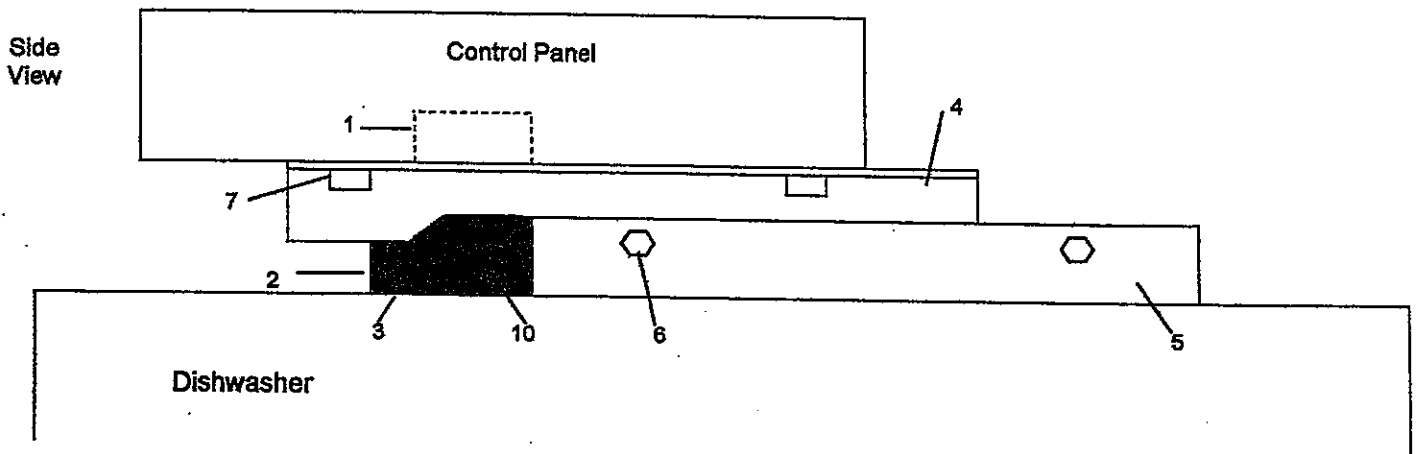
ITEM	PART NO.	DESCRIPTION	QTY
1	72381	Control Box Weldment	1
2	15795	Power Voltage Terminal Block	12
3	15797	End Barrier	5
4	15800	Fuse Clip	1
5	15790	Fuse 3.2 amp Slo-Blo	1
6	15769	Control Voltage Terminal Block	22
7	16782	Terminal Block	3
8	15799	Mounting Channel	2
9	70192	Motor Contactor	A/R
10	-	3 Pole Motor Overload Relay	1
10a	71602	Amp. Range 5.5 to 8	A/R
10b	71600	Amp. Range 2.5 to 4	A/R
10c	71599	Amp. Range 1.6 to 2.5	A/R
10d	71598	Amp. Range 1 to 1.6	A/R
11	14246	Control Relay	A/R
12	73836	Door Safety Switch	1
13	71481	Time Delay Relay	A/R
14	71485	8 Pin Socket	A/R
15	14440	Transformer	1
16	72380	Control Box Cover	1
17	72387	Selector Switch	1
18	97275	Start Push Button	1
19	97274	Stop Push Button	1
20	97276	Control Block N.O. -Not illustrated	1
21	97277	Contact Block N.C. - Not illustrated	1
22	16559	Light "Red" - Power	6
23	72390	Name Plate	1
24	72885	Angle	1
25	72388	Mount	2

FIGURE: 6. Door Safety Switch Assembly



ITEM	PART NO.	DESCRIPTION	QTY
1	74020	Safety Switch Ass'y	1
2	73963	Latch Bar	2
3	73956	Support	4
4	73958	Shoulder Screw	4
5	7093	1/2" Acorn L Nut	12
6	5742	1/4-20 x 3/8" Weld Stud	8

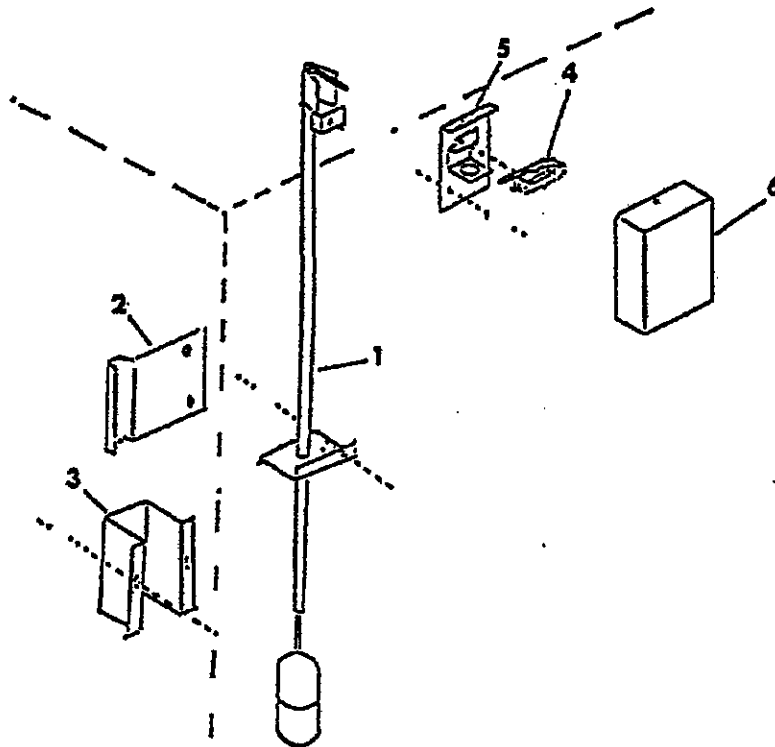
FIGURE: 7. Door Safety Switch Assembly



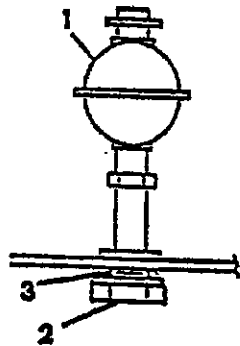
ITEM	PART NO.	DESCRIPTION	QTY
1	73836	Micro Switch	1
2	73957	Actuator Block	1
3	73961	Spacer	1
4	73962	Support Bracket	1
5	73960	Door Latch	1
6	73958	Shoulder Screw	2
7	7118	1/4-20 x 1/2" lg. H.H. Screw	2
8	7093	1/2" Acorn L' Nut	4
9	99416	1/2" Plain Washer	4
10	10306	8-32 x 5/8" lg. Screw	2

FIGURE: 8 LIQUID LEVEL CONTROLS

ITEM	PART NO.	DESCRIPTION	QTY
1	72396	Float & Rod Sub assembly	1
2	72404	Float and Tube Guard	1
3	72392	Float Housing	1
4	72620	Float Switch	1
5	72324	Mounting Plate Liquid	1
6	70464	Switch Enclosure	1



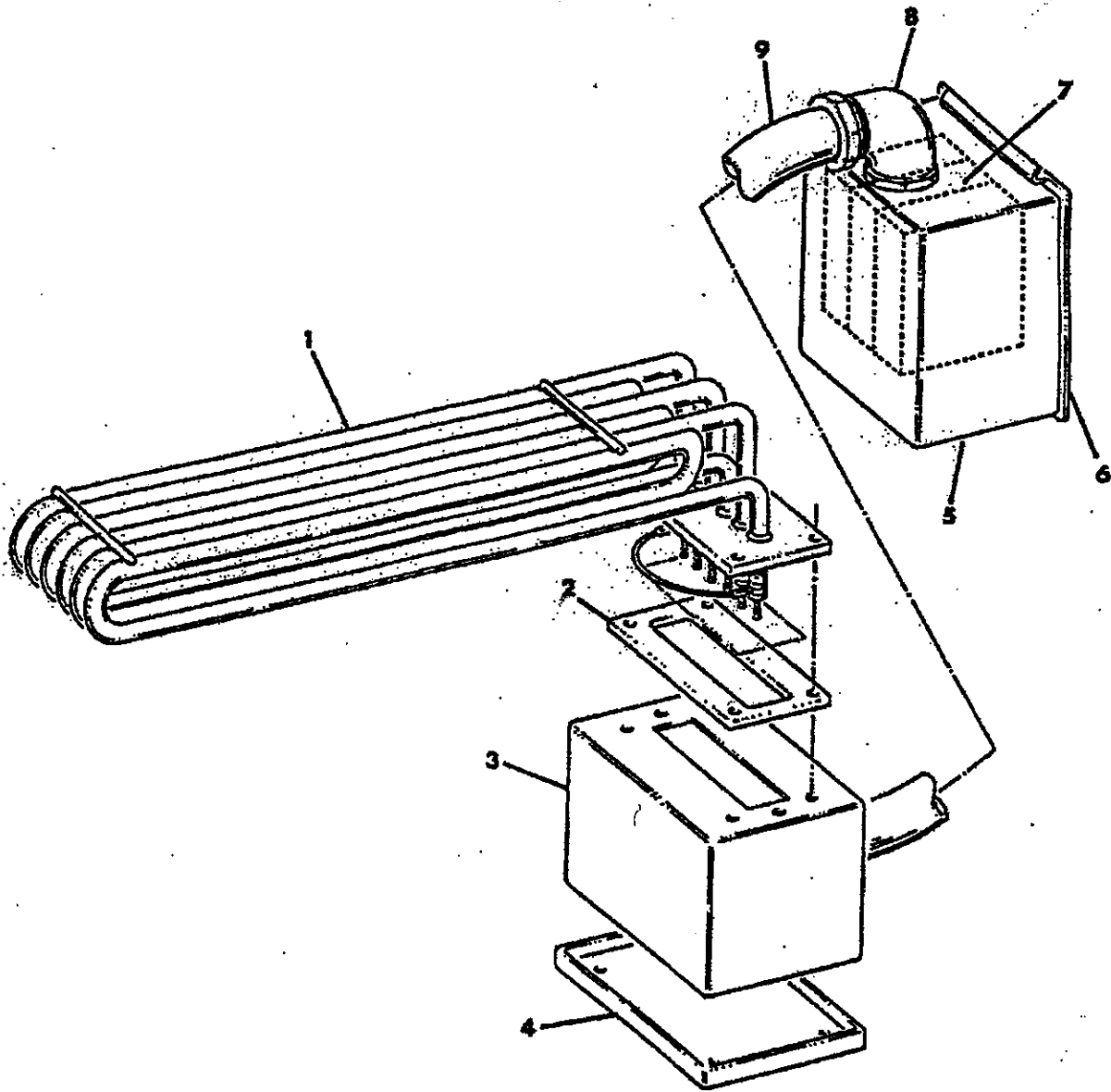
USED ON MACHINES WITH SERIAL NUMBER SUFFIX NOK TO RRP



ITEM	PART NO.	DESCRIPTION
1	18865	Float Switch
	20784	Float Switch (Pre-wash)
2	7684	1/2" to 1/4" Reducer Bushing
3	7683	1/4" Close Nipple

USED ON MACHINES WITH SERIAL NUMBER SUFFIX RRP AND UP

FIGURE 9. ELECTRIC HEAT COMPONENTS



ELECTRIC HEAT COMPONENTS

ITEM NUMBER	PART NUMBER	DESCRIPTION
*1	72775	Immersion Heater 10 KW 208/240V
*1a	72756	Immersion Heater 10 KW 440V
-1b	72850	Immersion Heater 15 KW 208/240V
*1c	72851	Immersion Heater 15 KW 440V
*1d	72853	Immersion Heater 20 KW 208/240V
*1e	72854	Immersion Heater 20 KW 440V
*2	72834	Gasket
*3	72831	Connection Box, 1 Contactor
	74730	Connection Box, 2 Contactors
*4	72830	Cover, 1 Contactor
	74728	Cover, 2 Contactors
5	73036	Contactor Box
6	73037	Cover
7	07210	60 amp Contactor
7a	07211	90 amp Contactor
8	07586	1" Sealtight Connector
9	07591	1" Sealtight - Per Foot

* items used on machines with serial number suffix OOM to QQN

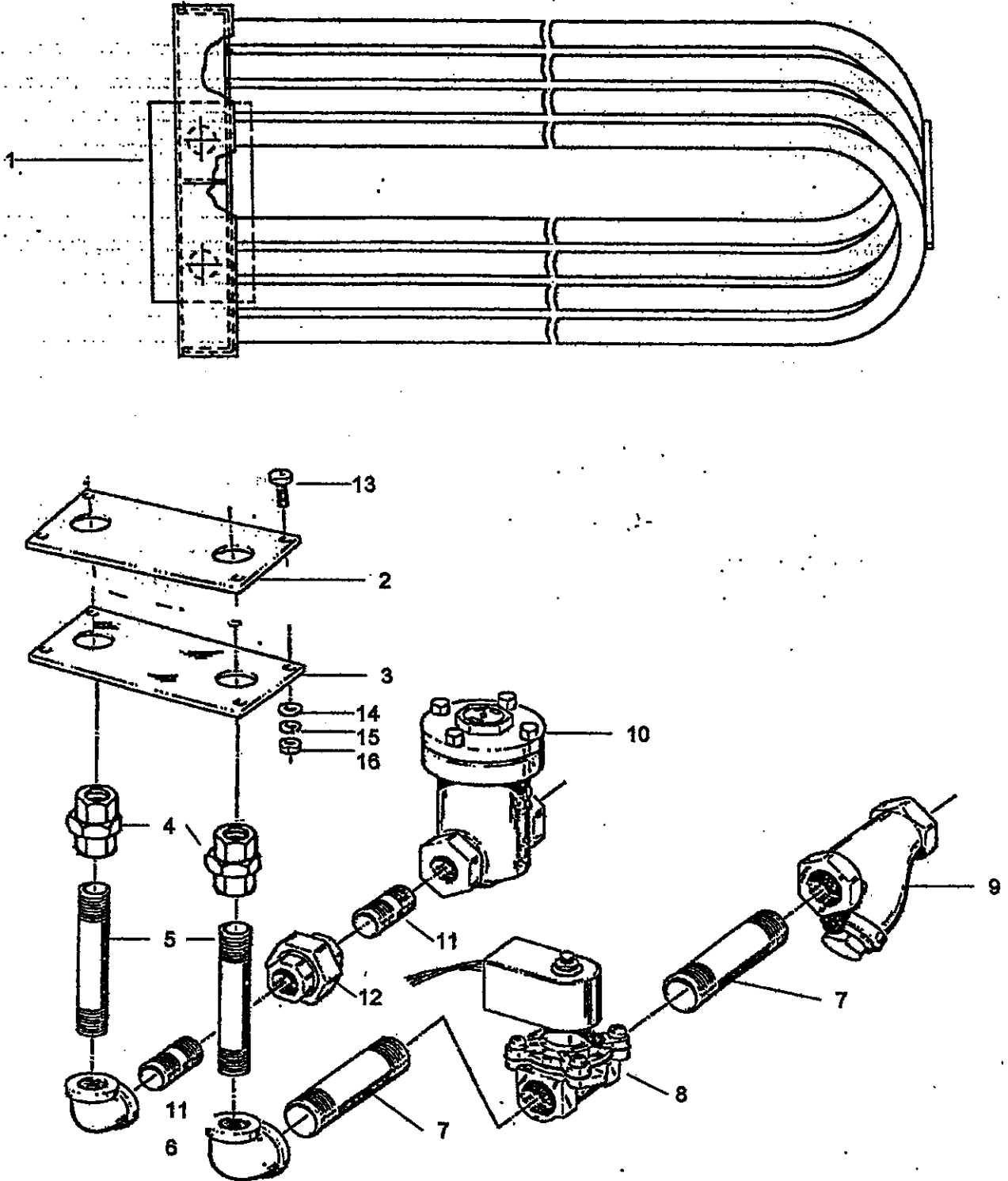
Below items are used on machines with serial number suffix QRN and up.

1	75456	Immersion Heater 10 KW 208/240V
1a	75459	Immersion Heater 10 KW 440V
1b	75455	Immersion Heater 15 KW 208/240V
1c	75458	Immersion Heater 15 KW 440V
1d	75210	Immersion Heater 20 KW 208/240V
1e	75457	Immersion Heater 20 KW 440V
2	75570	Gasket
3	75545	Terminal Box
4	75543	Cover

Below items are used on machines with serial number suffix UTT and up.

7	77564	32 Amps Contactor, 24 VDC Coil
7a	77562	65 Amps Contactor, 24 VDC Coil

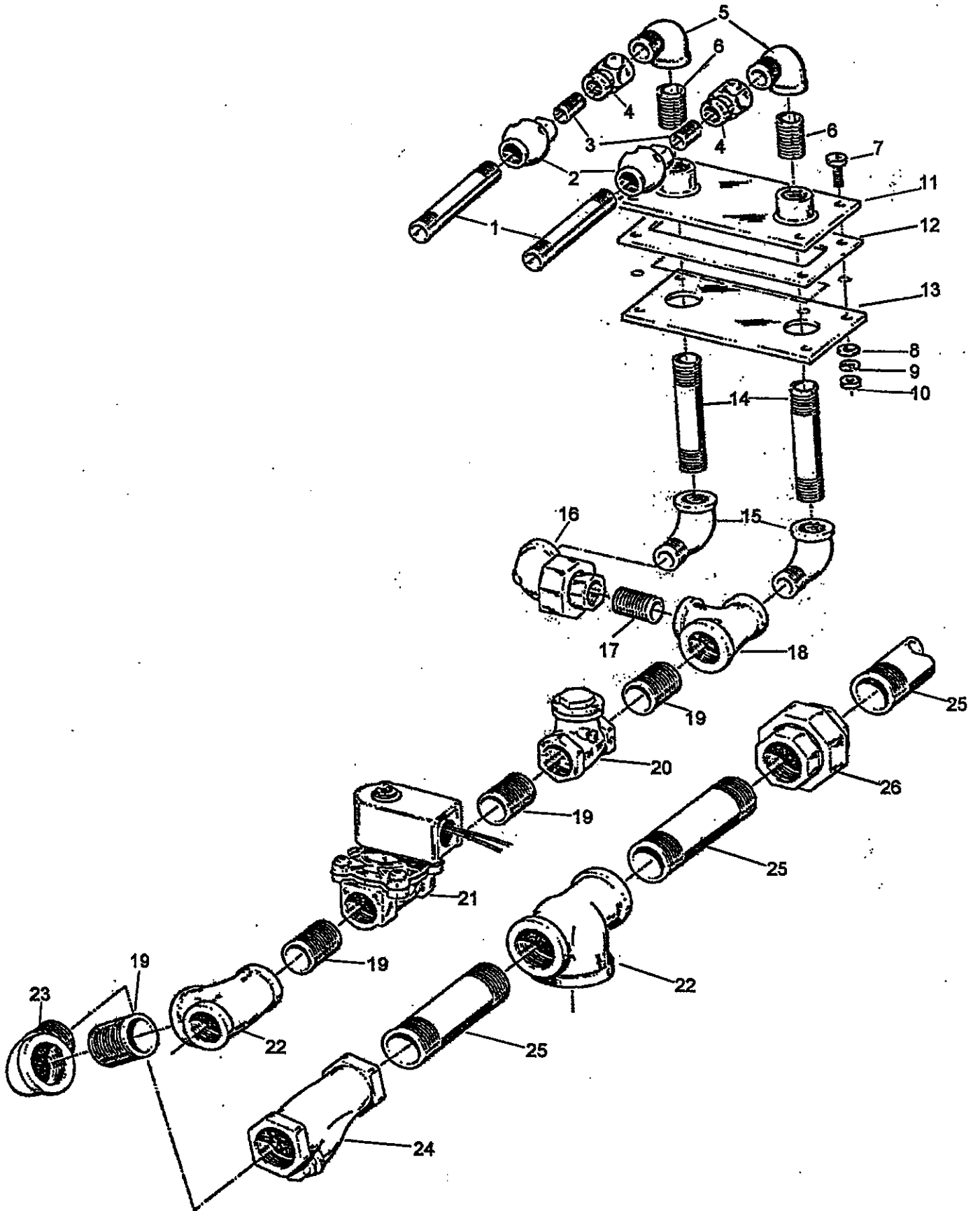
FIGURE 10. STEAM COIL ASSEMBLY



STEAM COIL ASSEMBLY

ITEM	PART NUMBER	DESCRIPTION	QTY
1	76653	Steam Coil L&M Tank	1
1A	76654	Steam Coil C Tank	1
1B	73096	Steam Coil E Tank	
2	72834	Gasket	1
3	73125	Plate	1
4	11957	1/2" Union	2
5	13051	1/2" x 4" Nipple	2
6	7643	3/4" x 1/2" Reducer Elbow	2
7	14025	3/4" x 4" Nipple	2
8	12085	Solenoid Valve	1
9	7026	Line Strainer	1
10	16877	Steam Trap	1
11	7509	3/4" Close Nipple	2
12	13608	3/4" Union	1
13	98489	1/4-20 x 7/8 Hex Head S/S	6
14	8519	1/4 Sealing Washer	6
15	7007	1/4 Lockwasher	6
16	7146	1/4-20 Hex Nut S/S	6

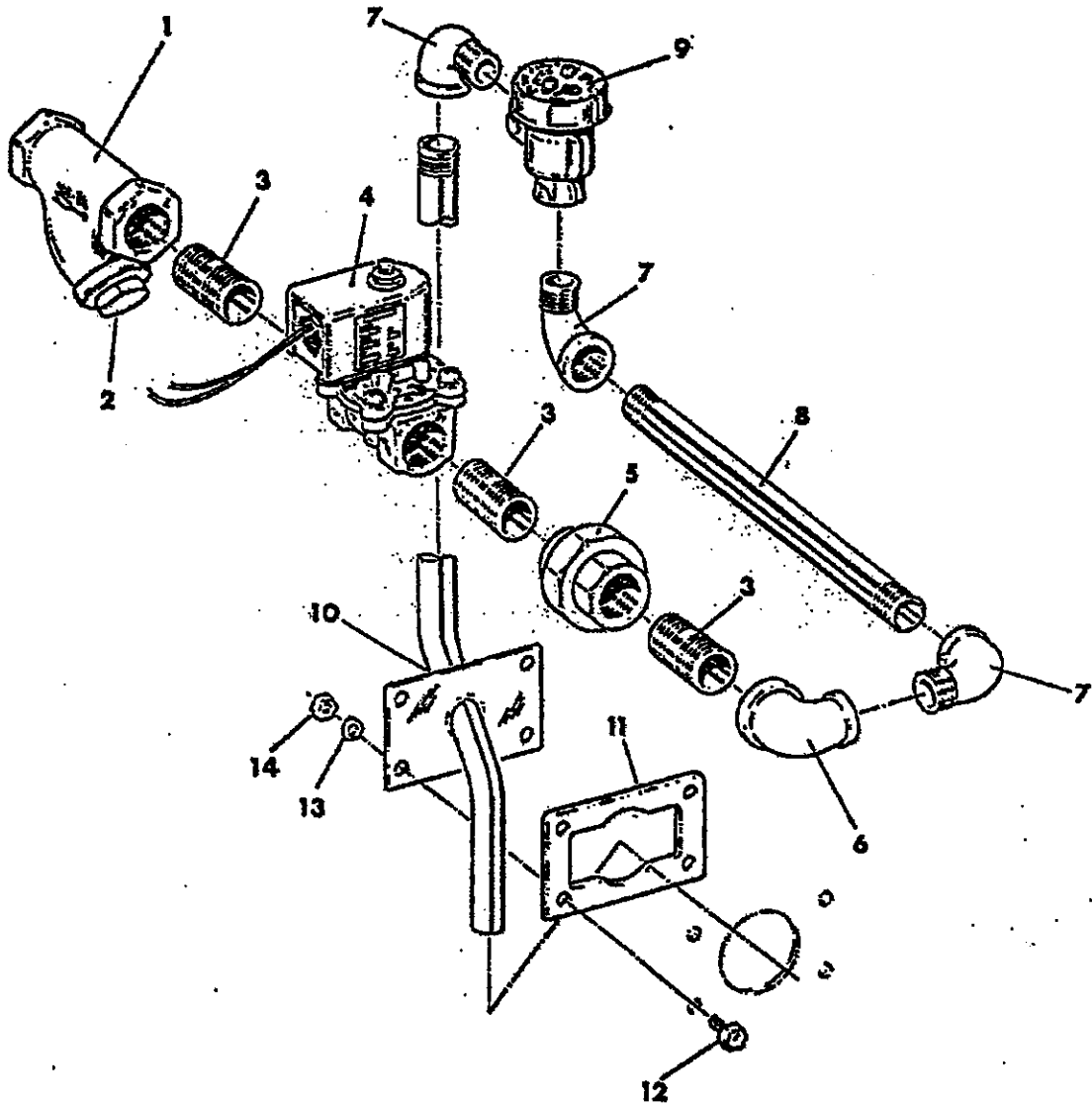
FIGURE 11. STEAM INJECTOR



STEAM INJECTOR ASSEMBLY

ITEM	PART NO.	DESCRIPTION	QTY
1	7682	3/8 X 4" Brass Nipple	2
2	7027	Steam Hater Heater	2
3	7683	1/4 Close Nipple	2
4	13589	1/2 to 1/4 Brass Reducer	2
5	12495	1/2 - 90 Street Elbow	2
6	10725	1/2 Close Nipple	2
7	98489	1/4-20 x 7/8 Hex Head	6
8	8519	1/4 Sealing Washer	6
9	7007	1/4 Lock Washer	6
10	7146	1/4-20 S/S Hex Nut	6
11	74700	Steam Injector Plate Weldment	1
12	72834	Gasket	1
13	73125	Lower Plate	1
14	13051	1/2 x 4" Nipple	2
15	11947	1/2 - 90 Street Elbow	2
16	18963	1/2 - 90 Union Elbow	1
17	7643	1/2 Close Nipple	1
18	7694	3/4 x 1/2 x 1/2 Tee	1
19	7634	3/4 Close Nipple	4
20	7777	3/4 Check Valve	1
21	12085	3/4 Steam Solenoid Valve	2
22	18941	3/4 x 3/4 x 3/4 Tee	1
23	14825	3/4 - Street Elbow	1
24	7026	3/4 Line Strainer	1
25		3/4 x 7 Nipple B.I.	3
26	11968	3/4 Union B.I.	1

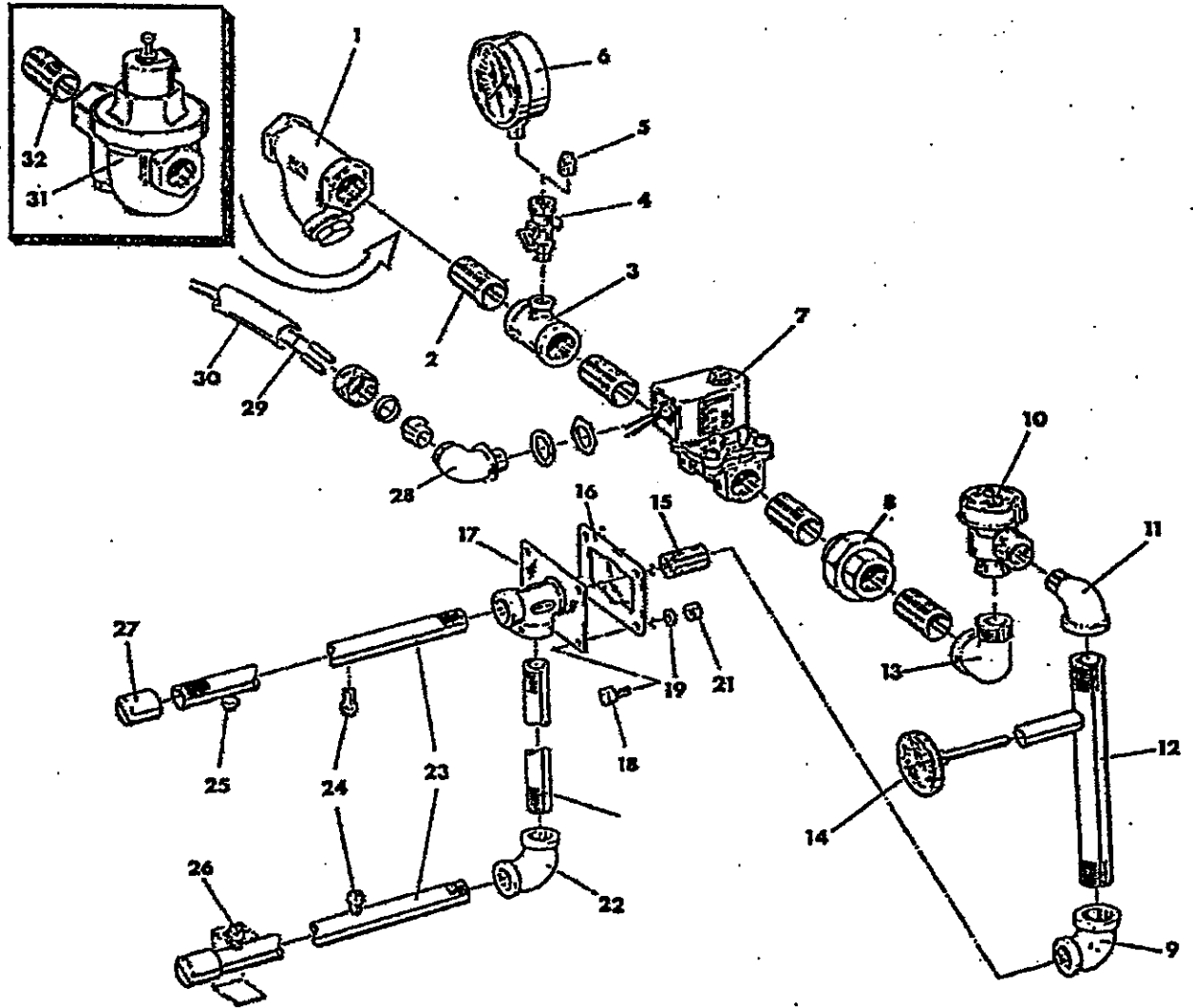
FIGURE: 12. FILL LINE PLUMBING ASSEMBLY



FILL LINE PLUMBING ASSEMBLY

ITEM NUMBER	PART NUMBER	DESCRIPTION	QTY
1	7026	Strainer – Line, ¼ in.	1
	13385	Screen – Line Strainer	1
	17506	O-Ring, Line Strainer	1
2	17507	Cap – Line Strainer	1
3	7509	Nipple – Close Brass, ¼ in.	3
4	12488	Valve – Solenoid	1
	75784	Coil – Solenoid Valve	1
	75606	Kit – Solenoid Valve Repair	1
5	13608	Union – Brass, ¼ in.	1
6	13441	Elbow – Brass Chrome Plated, ¼ x ½ x 90	1
7	7034	Elbow – Brass Chrome Plated Street ½ X 90	3
8	11031	Nipple – Brass Chrome Plated, ½ x 10 3/8	1
9	5912	Breaker – Vacuum, ½	1
	14836	Kit Vacuum Breaker Repair, ½	1
10	11413	Weldment, Fill Line Pipe	1
11	2292	Gasket	1
12	7118	Screw – Stainless Steel Hex Head, ¼-20 x 1 ½	4
13	7007	Lockwasher – Stainless Steel, ¼	4
14	7146	Nut - Stainless Steel, ¼-20	4

FIGURE 13. FINAL RINSE PLUMBING ASSEMBLY



FINAL RINSE PLUMBING ASSEMBLY

ITEM NUMBER	PART NUMBER	DESCRIPTION	QTY
1	07026	Strainer – Line, ¾ in.	1
	13385	Screen – Line Strainer	1
	17506	O-Ring – Line Strainer	1
	17507	Cap – Line Strainer	1
2	14250	Nipple – Brass, ¾ x 1 ½ in.	4
3	07508	Tee – Brass, ¾ x ¾ x ¾ in.	1
4	04082	Cock – Gauge, ¼ in.	1
5	07942	Plug – NPT Pipe, ¼ in.	1
6	07917	Gauge – Pressure (Optional)	1
7	12488	Valve - Solenoid	1
		Kit – Solenoid Valve Repair (call factory)	1
		Coil - Solenoid Valve (call factory)	1
8	13608	Union – Brass ¾ in.	1
9	07032	Elbow, ¾ in. x 90°	1
10	05913	Breaker – Vacuum, ¾ in.	1
	14835	Kit – Vacuum Breaker Repair, ¾ in.	1
11	07033	Elbow – Street, ¾ in. x 90°	1
12	07127	Tube - Thermometer	1
13	13441	Elbow – NPT, ¾ x ½ in. x 90°	1
14	07802	Thermometer	1
15	07031	Nipple – NPT Close, ½ in.	1
16	02292	Gasket	1
17	13399	Tee & Plate Assembly	1
18	07118	Screw – Stainless Steel Hex Head Mach, ¼ in.	4
19	07007	Lock Washer, 1/4 in.	4
20	07146	Nut – Hex, ¼-20	4
21	20446	Pipe - Connecting	1
22	12477	Elbow - ½ in. x 90°	1
23	20431	Pipe – Upper & Lower Rinse	1
23A	20432	Pipe – Upper & Lower Rinse, X-Wide Tanks	1
24	20920	Nozzle – Upper Rinse, Single Tank w/ or w/o Prewash	4
24A	20430	Nozzle – Lower Rinse, Single Tank w/ or w/o Prewash	4
24B	97185	Nozzle – Upper & Lower Rinse, All Low Temp. Units.	8
25	20920	Nozzle – Upper Rinse, Multi-Tank Units.	4
25A	20920	Nozzle – Upper & Lower Rinse, X-Wide Tanks.	12
26	20920	Nozzle – Lower Rinse, Multi-Tank Units.	4
27	08709	Cap – Stainless Steel Pipe.	2
28	07580	Connector, 3/8 in. x 90°	1
29	96810	Wire – Red Stranded, 16 Ga.	1
30	07589	Conduit – Liquid, 3/8 in. (Per/Ft)	1
31	07916	Valve – Pressure Reducing, ¾ in. (Optional)	
32	14250	Nipple – Brass, ¾ in. x 1 ½ in.	

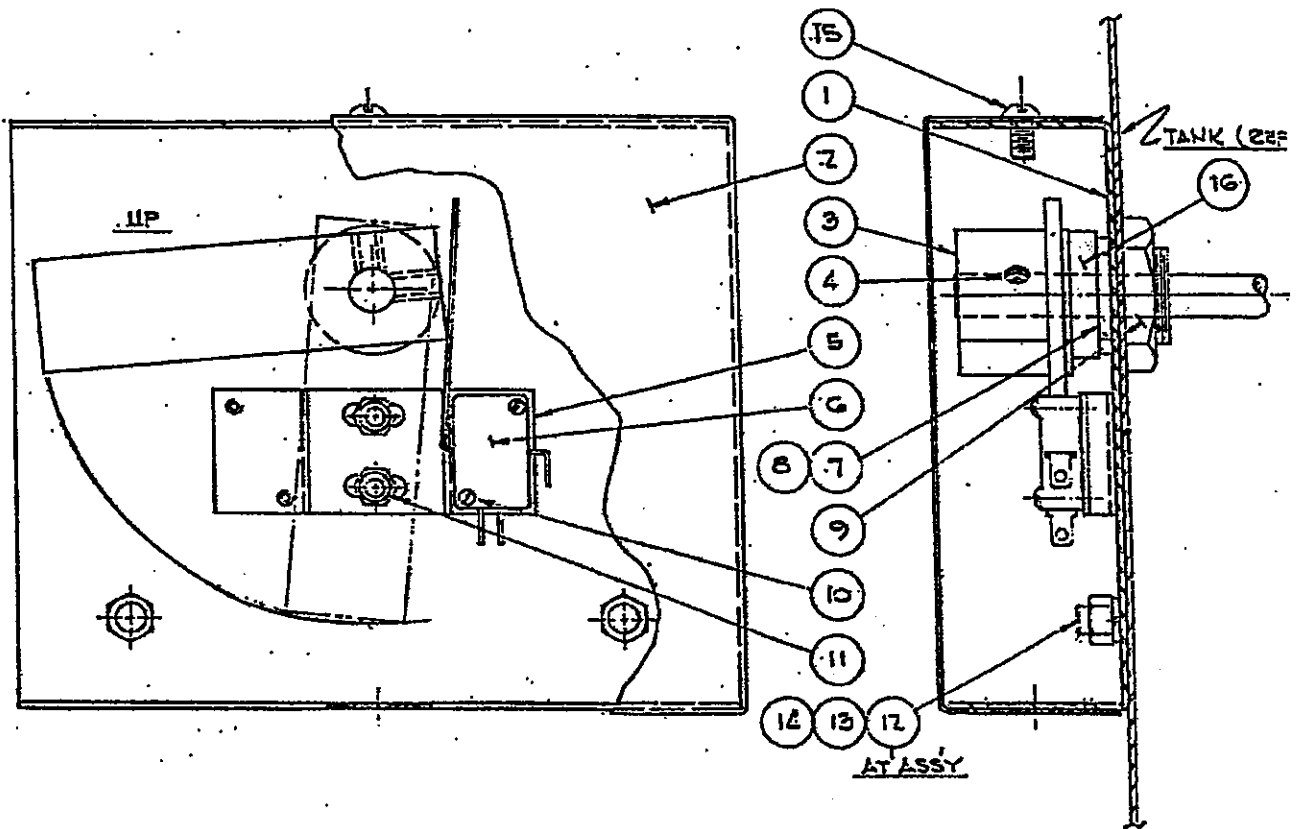
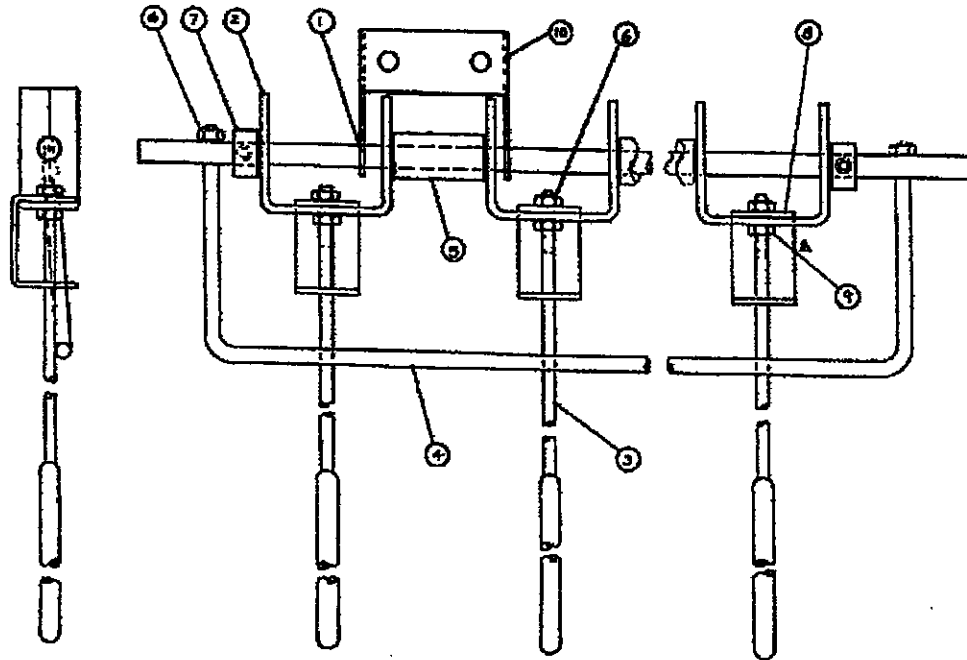


FIGURE 14. FINAL RINSE ECONOMIZER

ITEM NO.	PART NO.	DESCRIPTION	QTY. REQ.
1	71492	Mtg. Bracket Weldment	1
2	71488	Enclosure	1
3	71489	C' Weight	1
4	5991	Set Screw	2
5	71490	Switch Mtg. Bracket	1
6	70444	Switch	1
7	5745	Bushing	1
8	8045	O-Ring	1
9	8087	Lock-Nut	1
10	70469	Round Head Screw	2
11	16732	Elastic Stop Nut	2
12	13091	Weld-Stud	2
13	7007	Lock-Washer	2
14	7146	Hex Head Nut	2
15	8131	Rd. Head Mach. Screw	1
16	14084	Spacer (Roller)	1

FIGURE 15. TRIP GATE ASSEMBLY



STANDARD TRIP GATE ASSEMBLY
Part No. 71622

ITEM	PART NO.	DESCRIPTION	QTY
1	71502	Shaft	1
2	72442	Trip Rod Hanger	4
3	72443	Trip Rod	4
	75884	Trip Rod - 6" Longer for Tall Machines	4
4	71507	Actuator	1
5	71504	Spacer	3
6	05989	Elastic Stop Nut	6
7	07906	Collar	2
8	72463	Trip Rod Brace	4
9	07284	Hex Nut	4
X-WIDE TRIP GATE ASSEMBLY			
Part No. 71505			
1	71501	Shaft	1
2	72442	Trip Rod Hanger	6
3	72443	Trip Rod	6
	75884	Trip Rod - 6" Longer for Tall Machines	6
4	71497	Actuator	1
5	71503	Spacer	5
6	05989	Elastic Stop Nut	8
7	07906	Collar	2
8	72463	Trip Rod Brace	6
9	07284	Hex Nut	6
10	72612	Center Support	1

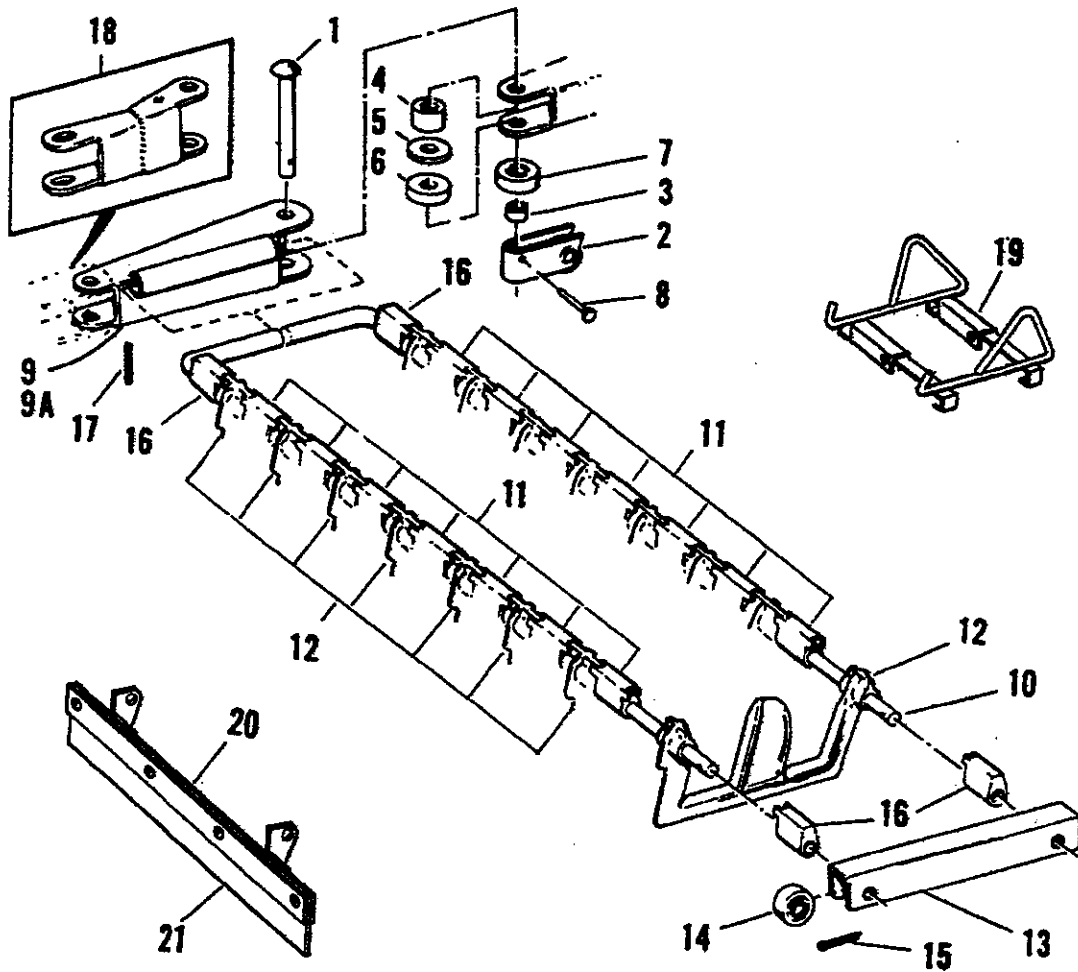


FIGURE 16. TYPE "C" CARRIER ASSEMBLY (Before 12/1/72)

ITEM NO.	PART NO.	DESCRIPTION	QTY. REQ.
1	W-1-14112	Carrier Pivot & Connecting Stud	1
2	W-0-14168	Carrier Roller Assy.	1
3	W-1-14129	Lower Roller Collar	1
4	W-1-14082	Link Roller	1
5	W-1-14131	Carrier Guide Roller Spacer	1
6	W-1-14084	Carrier Guide Upper Roller	1
7	W-1-14130	Carrier Guide Lower Roller	1
8	W-0-14117	S/S Rivet 1/8" Dia. x 5/8" Lg.	1
9	W-0-16788	Link Weldment (C.W. Drive)	1
9A	W-0-16789	Link Weldment (C.C.W. Drive)	1
10	W-2-14261	Carrier Support Rod	2
11	W-1-10819	Spacer, Conveyor Link	14
12	2-10042 *	Double Underslung Link	8
13	W-1-14262	Carrier, Outboard Link	1
14	W-1-14198	Support Roller 15/16" Dia.	2
15	W-1-7195 **	Cotter Pin 3/32" x 3/4" Lg.	2
16	W-1-14127	End Spacer, Conveyor Link	4

ITEM NO.	PART NO.	DESCRIPTION	MODULE	QTY. REQ.
17	W-0-14105	S/S Spring Pin 3/16" Dia. 7/8" Lg.		1
18	W-2-14141	Take-up Link		1
19	W-2-14370	Tray Holder		A/R
20	W-1-11694	Wiper Assy. (Includes blade, screws, lock washers & nuts		Opt.
21	W-1-12135	Rubber Blade Only		A/R
	W-1-7601	10-24 x 3/8 Rd. Hd. Screw S/S		4
	W-1-7285	10-24 Lock Washer S/S.		4
	W-1-7284	10-24 Hex Nut S/S.		4
*	W-0-14445	Box of 25 Links (2-10042)		
**	W-0-18902	Box of 100 Cotter Pins (W-1-7145)		

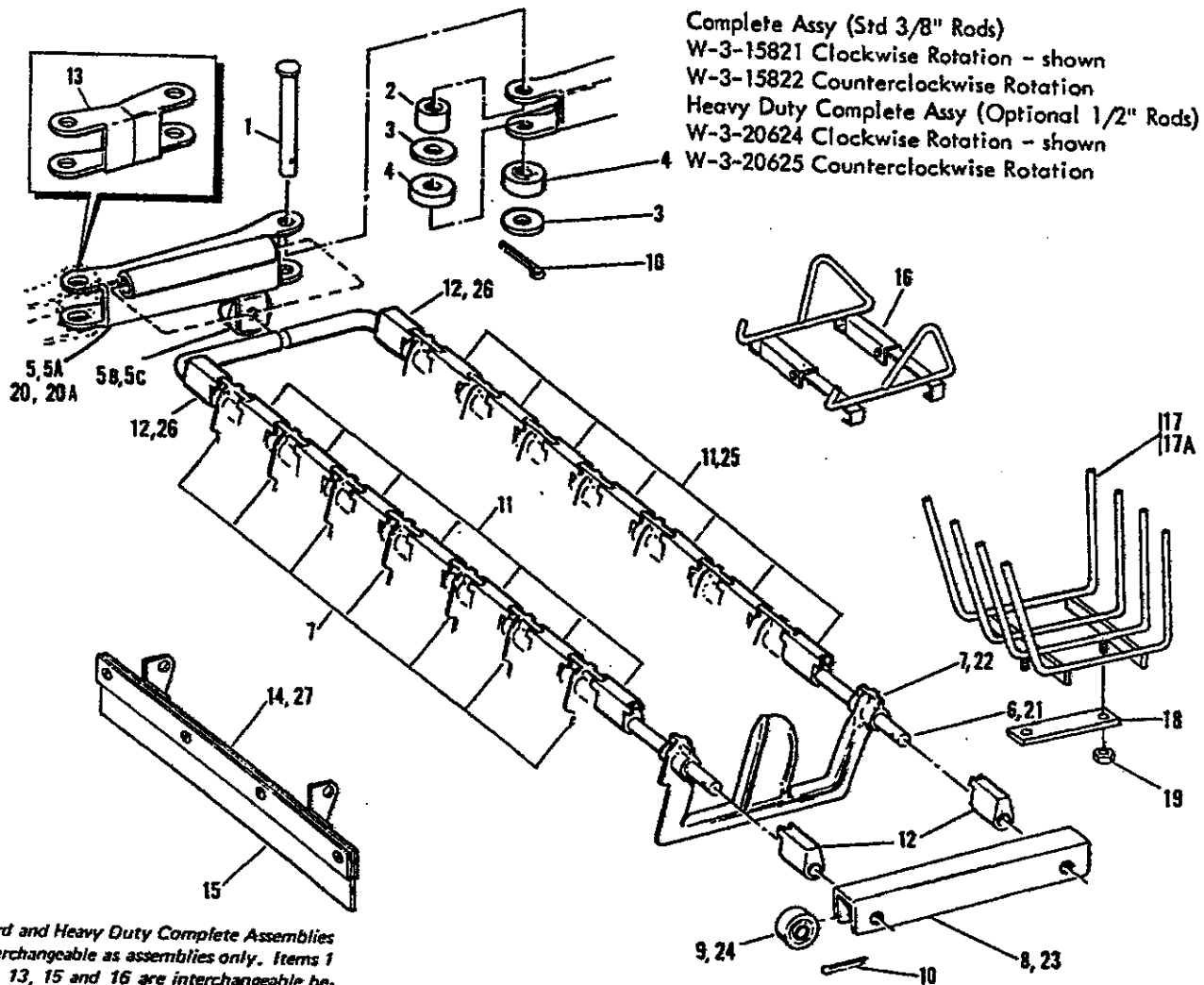


FIGURE 17. TYPE "C" CARRIER ASSEMBLY (After 12/1/72)

ITEM NO.	PART NO.	DESCRIPTION	QTY. REQ.
1	W-1-14866	Carrier Connecting Stud	1
2	W-1-14082	Link Roller	1
3	W-1-14131	Carrier Guide Roller Spacer	1
4	W-1-14084	Carrier Guide Roller	2
5	W-2-16020	Link Assy for CW Drive (3/8")	2
5A	W-2-16021	Link Assy for CCW Drive (3/8")	1
5B	W-1-14863	Carrier Roller	1
5C	W-1-14864	Carrier Roller Stud	1
6	W-1-14261	Carrier Support Rod (3/8")	1
7	2-10042 *	Double Underslung Link (3/8")	2
8	W-1-14262	Carrier Outboard Link (3/8")	8
9	W-1-14198	Support Roller 15/16" Dia. (3/8")	1
10	W-1-7195 **	3/32 Dia. x 3/4" Lg. S/S Cotter Pin	2
11	W-1-10819	Spacer - Conveyor Link (3/8")	3
12	W-1-14127	End Spacer - Conveyor Link (3/8")	14
13	W-2-14141	Take-up Link	4
14	W-1-11694	Wiper Assy (includes blade, screws, lockwashers & nuts) (3/8")	1
			Opt.

ITEM NO.	PART NO.	DESCRIPTION	MODULE	QTY. REQ.
15	W-1-12135	Rubber Blade Only		A/R
	W-1-7601	#10-24 x 3/8" lg. Rd. Hd. Screw S/S		4
	W-1-7285	#10 Lockwasher S/S		4
	W-1-7284	#10-24 Hex Nut S/S		4
16	W-2-14370	Tray Holder		A/R
17	W-2-12517	Aladdin Tray Holder for C.W. Conveyor		A/R
17A	W-2-12518	Aladdin Tray Holder for C.C.W. Conveyor		A/R
18	W-1-12519	Aladdin Tray Holder Mounting Bar		1
19	W-1-12574	5/16-18 Hex Nut S/S		2

THE FOLLOWING LIST OF PARTS ARE
APPLICABLE TO HEAVY DUTY (1/2") CARRIER ASSYS (OPTIONAL)

20	W-2-20616	Link Assy. for CW Drive (1/2")		1
20A	W-2-20617	Link Assy for CCW Drive (1/2")		1
21	W-1-20618	Carrier Support Rod (1/2")		2
22	W-2-20621	Double Underslung Link (1/2")		8
23	W-1-20619	Carrier Outboard Link (1/2")		1
24	W-1-20620	Support Roller 15/16" Dia. (1/2")		2
25	W-1-20622	Spacer - Conveyor Link (1/2")		14
26	W-1-20623	End Spacer - Conveyor Link (1/2")		4
27	W-1-20626	Wiper Assy (includes blade, screws, lockwashers & nuts) (1/2")		Opt.

- * W-0-14445 Box of 25 Links (2-10042)
- ** W-0-18902 Box of 100 Cotter Pins (W-1-7195)

NOTE: If machine is supplied with a direct load conveyor, Items 11 & 12 are replaced by W-1-14891 spacer.
Total of 8 used per carrier. Quantity of item 7 is reduced from 8 to 3 per carrier.

W-2-77191 Carton of 25 links (W-2-20621)

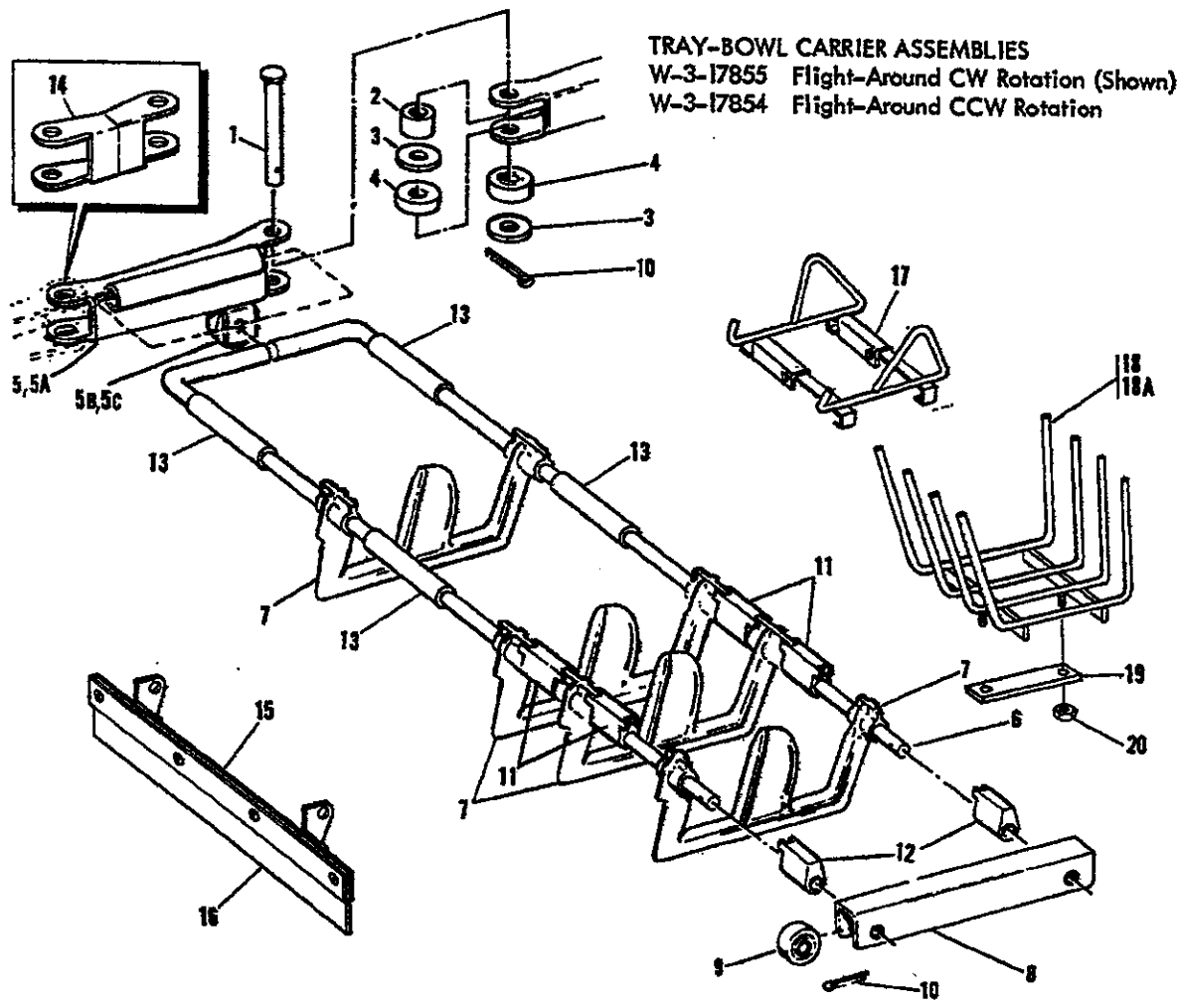


FIGURE 18. SPECIAL OPEN DESIGN CARRIER ASSEMBLY

ITEM NO.	PART NO.	DESCRIPTION	QTY REQ.
1	W-1-14866	Carrier Connecting Stud	1
2	W-1-14082	Link Roller	1
3	W-1-14131	Carrier Guide Roller Spacer	1
4	W-1-14084	Carrier Guide Roller	2
5	W-2-16020	Link Assy for CW Drive	2
5A	W-2-16021	Link Assy for CCW Drive	1
5B	W-1-14863	Carrier Rollers	1
5C	W-1-14864	Carrier Roller Stud	1
6	W-1-14261	Carrier Support Rod	1
7	2-10042*	Double Underslung Link	2
8	W-1-14262	Carrier Outboard Link	4
9	W-1-14198	Support Roller 15/16" Dia.	1
10	W-1-7195 **	3/32 Dia. x 3/4" Lg. Cotter Pin S/S	2
11	W-1-10819	Spacer - Conveyor Link	3
12	W-1-14127	End Spacer - Conveyor Link	4
13	W-1-17853	Spacer	2
14	W-2-14141	Take-Up Link	4
15	W-1-11694	Wt per assy (includes blade, screws, lockwashers & nuts)	1
			A/R

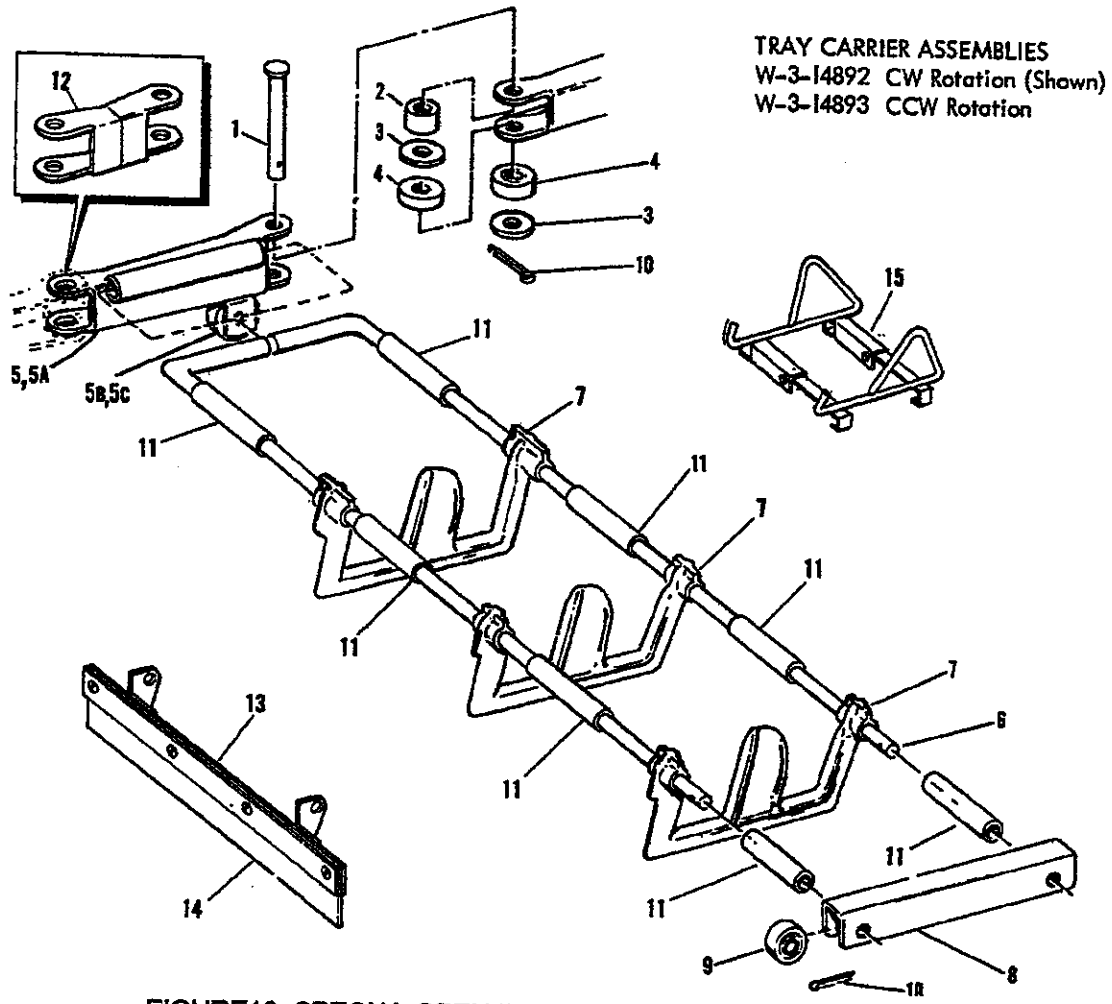


FIGURE 19. SPECIAL OPEN DESIGN CARRIER ASSEMBLY

ITEM NO.	PART NO.	DESCRIPTION	QTY REQ.
1	W-1-14866	Carrier Connecting Rod	1
2	W-1-14082	Link Roller	1
3	W-1-14131	Carrier Guide Roller Spacer	2
4	W-1-14084	Carrier Guide Roller	2
5	W-2-14020	Link Assy for CW Drive	1
5A	W-2-16021	Link Assy for CCW Drive	1
5B	W-1-14863	Carrier Roller	1
5C	W-1-14864	Carrier Roller Stud	1
6	W-1-14261	Carrier Support Rod	2
7	2-10042 *	Double Underlung Link	3
8	W-1-14262	Carrier Outboard Link	1
9	W-1-14198	Support Roller 15/16" Dia.	2
10	W-1-7195 **	3/32 Dia. x 3/4" lg. Cotter Pins S/S	3
11	W-1-14891	Spacer	8
12	W-2-14141	Take-Up Link	1
13	W-1-11694	Wiper Assy (includes blade, screws, lockwashers & Nuts)	A/R
14	W-1-12135	Rubber Blade Only	A/R
	W-1-7601	#10-24 x 3/8" lg. RD. HD. Screw	4
	W-1-7285	#10 Lockwasher	4
	W-1-7284	#10-24 Hex Nut	4
15	W-2-14370	Tray Holder	A/R
*	W-0-14445	Box of 25 Links (2-10042)	
**	W-0-18902	Box of 100 Cotter Pins (W-1-7195)	

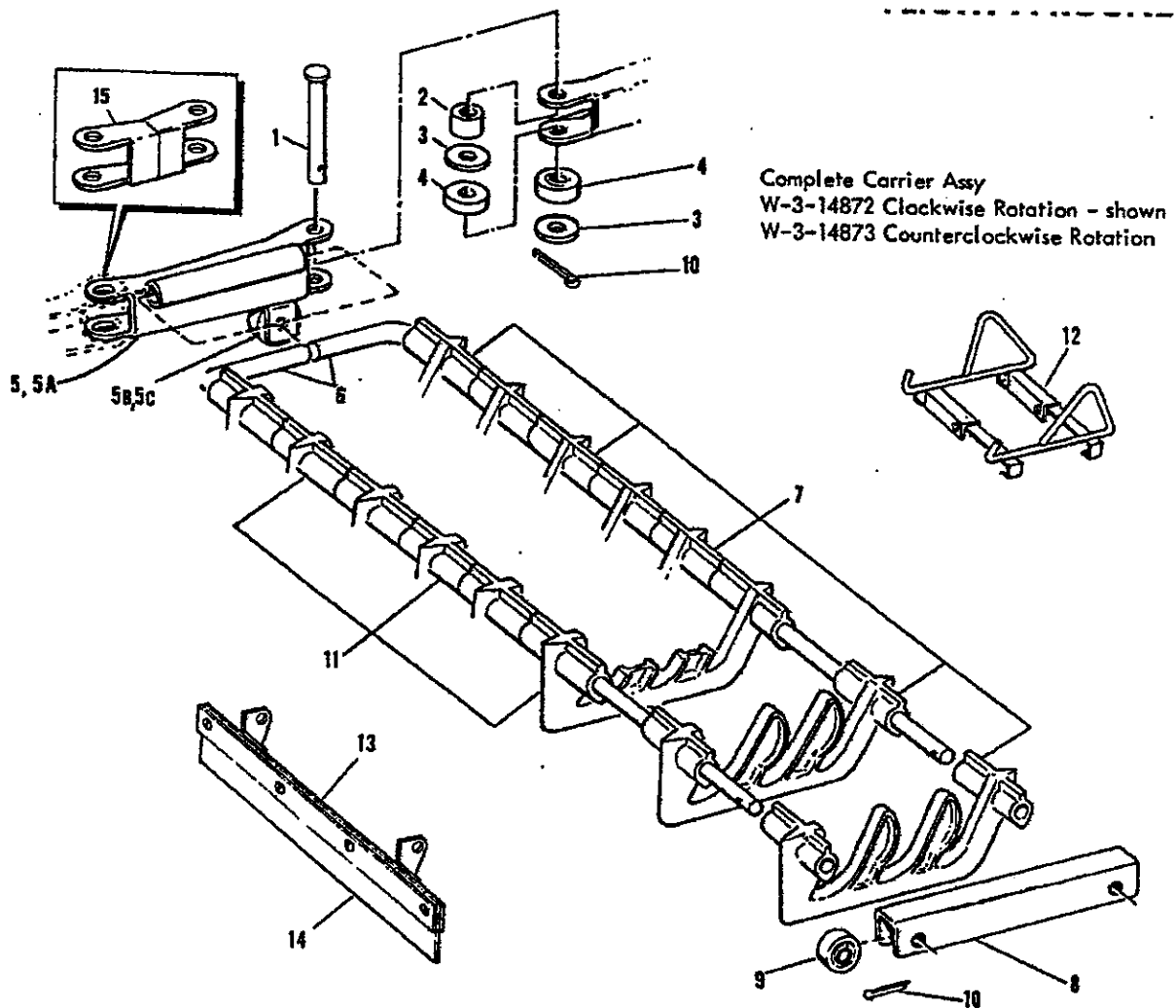
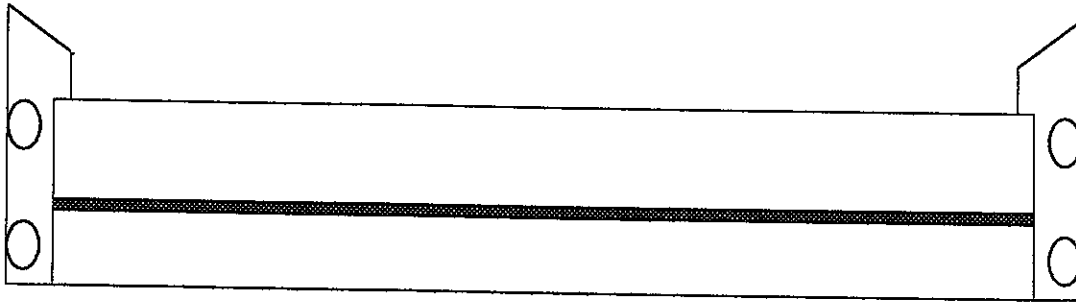


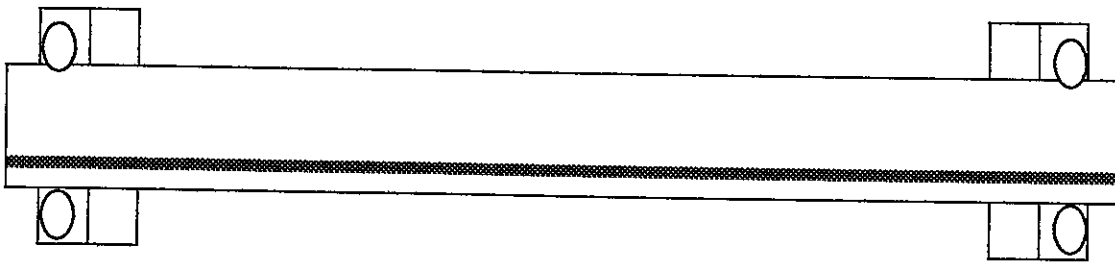
FIGURE 20. TYPE "C" CARRIER ASSEMBLY (Triple Link)

ITEM NO.	PART NO.	DESCRIPTION	QTY, REQ.
1	W-1-14866	Carrier Connecting Stud	1
2	W-1-14082	Link Roller	1
3	W-1-14131	Carrier Guide Roller Spacer	1
4	W-1-14084	Carrier Guide Roller	2
5	W-2-16022	Link Assembly for CW Drive	2
5A	W-2-16023	Link Assembly for CCW Drive	1
5B	W-1-14863	Carrier Roller	1
5C	W-1-14864	Carrier Roller Stud	1
6	W-1-14261	Carrier Support Rod	1
7	W-2-14808	Triple Underslung Link	2
8	W-1-14867	Carrier Outboard Link	5
9	W-1-14198	Support Roller 15/16" Dia.	1
10	W-1-7195 *	3/32 Dia. x 3/4" Lg. S/S Cotter Pin	2
11	W-2-15981	Low Pegs Underslung Link	3
12	W-2-15831	Tray Holder	3
13	W-2-15723	Wiper Assy (includes blade, screws, lockwashers & nuts)	A/R
14	W-1-12135	Rubber Blade only	A/R
	W-1-7601	#10-24 x 3/8" Lg. Rd.Hd.Screw S/S	A/R
	W-1-7285	#10 Lockwasher S/S	4
	W-1-7284	#10-24 Hex Nut	4
15	W-2-14141	Take-up Link	4
			1
*	W-0-18902	Box of 100 Cotter Pins (W-1-7195)	

FIGURE 21 TRACKS



Upper Track 1, 1A, 1B, 1C



Lower Track 2, 2A, 2B, 2C

TRACKS

ITEM	PART NO.	DESCRIPTION	MODULE	QTY
1	98851	Flight Track, Upper	P	2
1A	98852	Flight Track, Upper	E	2
1B	98853	Flight Track, Upper	L	2
1C	98854	Flight Track, Upper	M	2
2	98866	Flight Track, Lower	P	2
2A	98867	Flight Track, Lower	E	2
2B	98868	Flight Track, Lower	L	2
2C	98869	Flight Track, Lower	M	2

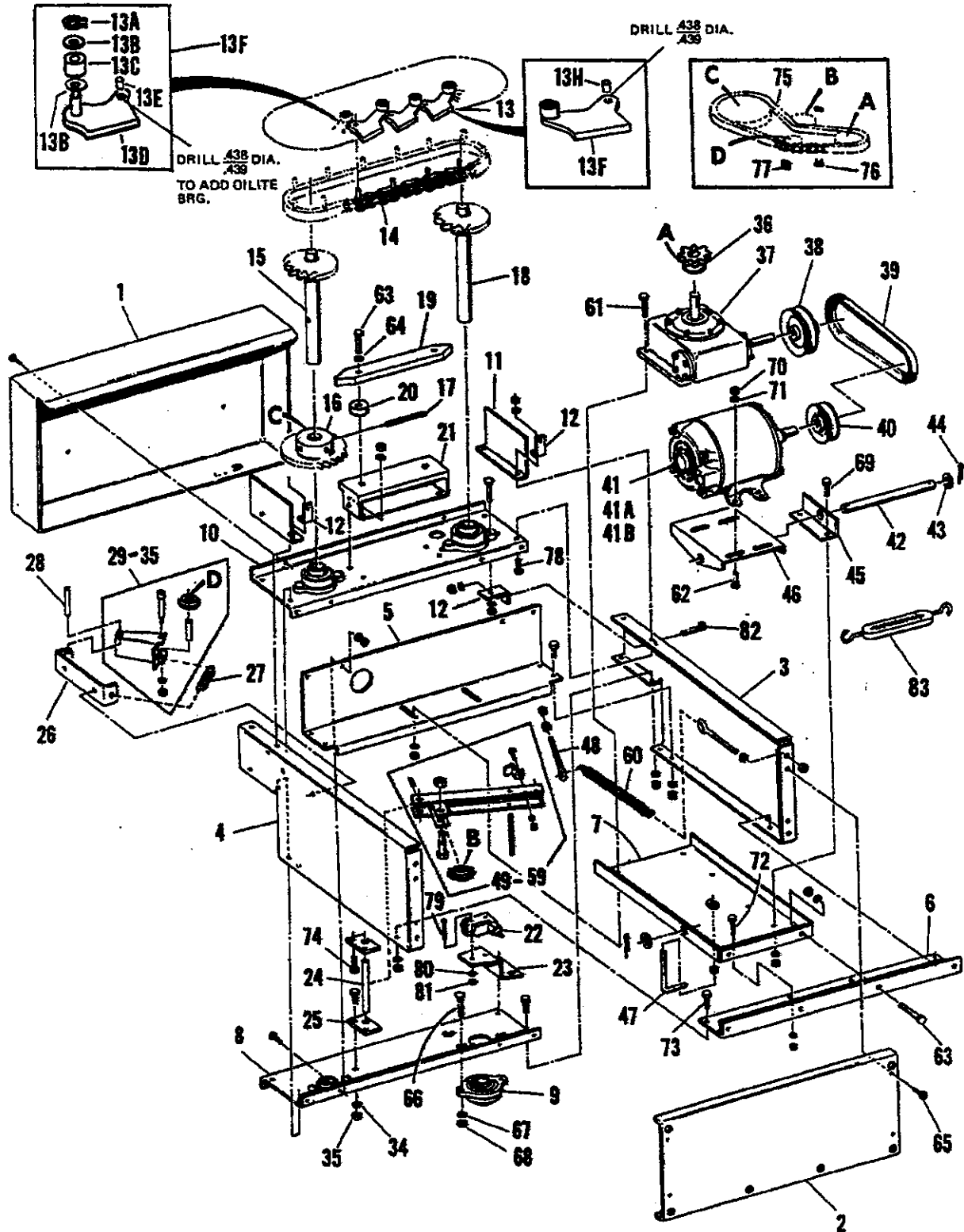


FIGURE 22. TYPE "E" DRIVE ASSEMBLY

TYPE "E" DRIVE ASSEMBLY

ITEM NO.	PART NO.	DESCRIPTION	QTY. REQ.
1	77214	Drive Enclosure Weldment	1
2	77203	Drive Cover	1
3	13640	Drive Housing L.H. Side	1
4	13639	Drive Housing R.H. Side	1
5	77196	Drive Housing Main Tie	1
6	77198	Drive Housing Bottom Tie	1
7	14176	Motor & Reducer Mount Weldment	1
8	77195	Drive Mounting Channel	1
9	10495	Sealmaster Flange Ball Bearing	4
10	77194	Drive Mounting Channel	1
11	14111	Drive Side Shield	2
12	13647	Take-up Drive Angle	3
13	14163	Drive Pawl Ass'y C.W. (Consists of item 13A, B, C, G & H)	1
13A	16848	External Retaining Ring	1
13B	16847	5/16" I.D. Flat Washer	2
13C	16843	Drive Pawl Roller Assembly	1
13D	18050	Drive Pawl Weldment & Bearing. (Includes item 13E)	1
13E	18253	Bushing S/S	1
13F	14164	Drive Pawl Assembly C.C.W. (Consists of item 13A, B, C, G, & H)	13
13G	18064	Drive Pawl Weldment & Bearing (Includes item 13H)	1
13H	18353	Bushing S/S	1
14	77192	#80 Drive Chain Assembly	1
15	14158	Drive Shaft & Sprocket Weldment	1
16	13990	Drive Sprocket	1
17	14094	3/8" Diameter x 3 1/2" Long Spring Pin	1
18	14157	Shaft & Sprocket Weldment	1
19	77200	Cam Weldment	1
20	14089	Pawl Rail Spacer	2
21	77208	Drive Rail Weldment	1
22	07235	Micro Switch	1
23	13909	Switch Mounting Bracket	1
24	13769	Overload Arm Shaft	1
25	77388	Overload Arm Seat	2
26	14086	Idler Mount Weldment	1
27	11687	Spring (Extension)	1
28	14187	Idler Arm Pivot Rod	1
29	14186	Idler Arm Assembly (Consists of items 30 thru 35)	1
30	14088	Idler Arm	1
31	14085	Idler Roller	1
32	14115	"Oilite" Sleeve Bearing	1
33	14116	1/2" Diameter x 1 1/2" Long Shoulder Screw	1
34	07524	3/8" Split S/S Lock washer	1
35	05998	3/8"-16 S/S Hex Nut	1
36	75449	Sprocket 12 Tooth	1
37	75445	Speed Reducer	1
38	11331	V-Pulley 5" O.D.	1
39	15973	V-Belt 4L270	1
40	14282	Single Groove V-Pulley 2.7 P.D. - 3.0 O.D. for 8 F.P.M.	1
40A	16792	Single Groove V-Pulley 3.5 P.D. - 3.75 O.D. for 10 F.P.M.	1
40B	16791	Single Groove V-Pulley 2.1 P.D. - 2.4 O.D. for 6 F.P.M.	1
41	10275	1/3 HP Motor 115/230 Volt Single Phase, 60 Cycle	A/R
41A	18062	1/3 HP Motor 208/220/440/480 Volt 3 Phase, 60 Cycle	A/R
41B	16791	1/3 HP Motor 230/440 Volt - Totally Enclosed - Requires Shaft Sleeve	A/R

ITEM NO.	PART NO.	DESCRIPTION	QTY. REQ.
42	10608	Motor Base Pivot Rod	1
43	12836	9/16" I.D. x 1 1/4" O.D. x 1/16" S/S Flat Washer	2
44	07195	3/32" Diameter x 3/4" Long Cotter Pin	2
45	14121	Motor Base Pivot Angle	1
46	14154	Motor Base	1
47	14161	V-Belt Tightening Rod	1
48	14093	5/16-18 x 5" Long Eye Bolt	2
49	77410	Overload Arm Assembly (Consists of items 50 thru 59)	1
50	77389	Overload Arm Weldment	1
51	14103	Sprocket, Idler	1
52	13908	Switch Actuator	1
53	14094	Spring Pin 3/8" Diameter x 3 1/2" Long	1
54	14234	1/2"-13 x 1-1/2" Long Hex Head Machine Screw	1
55	14192	1/2"-13 Hex Nut	1
56	17243	1/4"-20 x 3/8" long Set Screw	1
57	13401	5/16"-18 x 5/8" Hex Head Machine Screw	1
58	07598	5/16" Split Lock Washer	1
59	12574	5/16"-18 Hex Nut	1
60	14175	Extension Spring 1 1/8" Diameter x 10 1/4"	1
61	14393	5/16"-18 x 1 1/4" Long Hex Head Machine Screw	4
62	14099	5/16"-18 x 3/4" Long Carriage Bolt	4
63	14392	3/8"-16 x 2" Hex Head Machine Screw	5
64	07584	3/8" Flat Washer 1" Diameter	3
65	07850	1/4"-20 x 1/2" Long Truss Head Slotted Machine Screw	8
66	14098	3/8"-16 x 1 1/2" Long Carriage Bolt	8
67	07524	3/8" Split Lock Washer	49
68	05998	3/8"-16 Hex Nut	51
69	07621	5/16"-18 x 3/4" Long Hex Head Machine Screw	2
70	07598	5/16" Split Lock Washer	10
71	12574	5/16"-18 Hex Nut	12
72	08067	5/16-18 x 1" Long Hex Head Machine Screw	4
73	07621	3/8"-16 x 3/4" Long Hex Head Machine Screw	8
74	07297	3/8"-16 x 1" Long Hex head Machine Screw	20
75	14100	#50 Roller Chain 47 Pitches (29 3/8" Long)	1
76	14101	# 50 Connecting Link	1
77	14102	#50 Offset Link	1
78	07112	3/8"-16 x 1 1/8" Long Hex Head Machine Screw	6
79	08001	6-32 x 1 1/2" Long Round Head Screw	2
80	08002	#6 Lock Washer	2
81	08875	#6-32 Hex Nut	2
82	07526	Chain Take-up Bolt	1
83	18410	Scale	1

NOTE : The drive pictured is for Clockwise Direction. When a Counter-Clockwise Direction is required, the complete unit is turned 180° with the exception of the Motor, Speed Reducer & Drive Pawls.

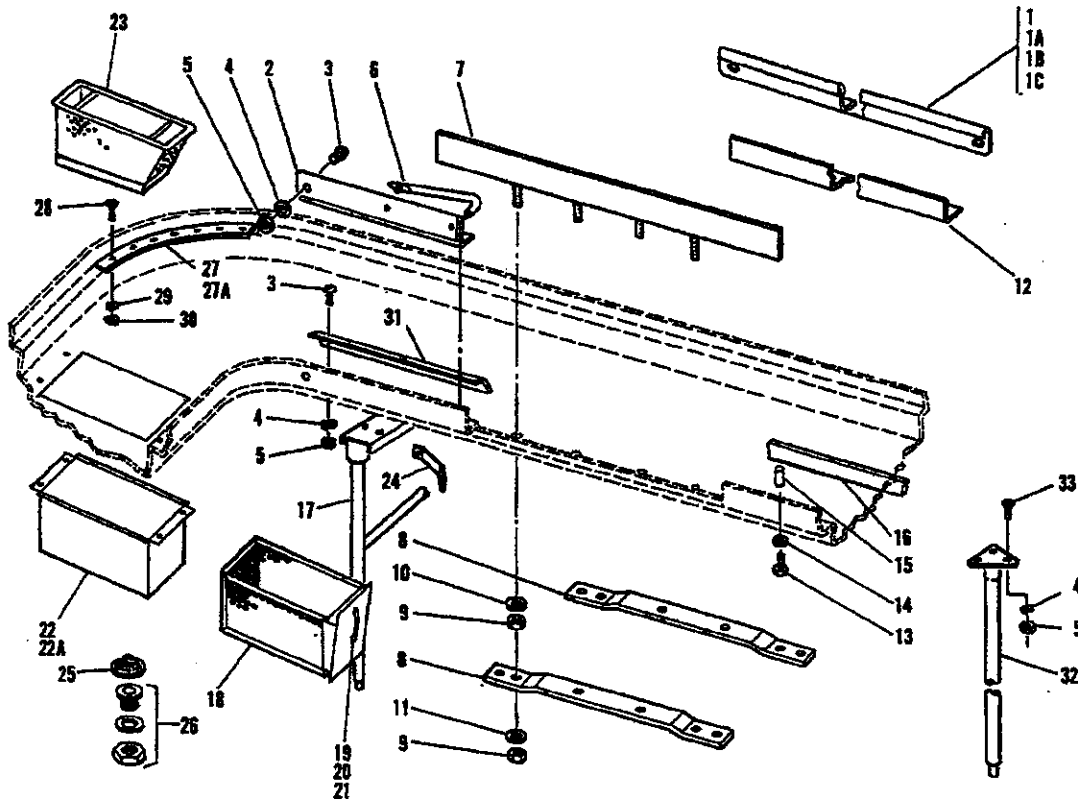


FIGURE 23. TABLE COMPONENTS

ITEM NO.	PART NO.	DESCRIPTION	MODULE	QTY REQ.
1	W-2-16217	Track Shield	R	1
1A	W-2-16218	Track Shield	E	1
1B	W-2-16219	Track Shield	L	1
1C	W-2-16220	Track Shield	M	1
2	W-1-14623	Carrier Link Shield		1
3	W-1-8491	1/4-20 x 5/8" lg. Truss Hd. Mach. Screw S/S		A/R
4	W-1-7007	1/4" Split Lockwasher S/S		A/R
5	W-1-7146	1/4-20 Hex Nut S/S		A/R
6	W-2-14494	Rack Guide		A/R
7	W-2-14182	Rail Weldment		1
8	W-2-14148	Drive Support		1
9	W-1-5998	3/8-16 Hex. Nut S/S		2
10	W-1-7584	13/32 x 1" x 1/16" Thk. Flat Washer S/S		12
11	W-1-7524	3/8" Split Lockwasher S/S		4
12	W-1-16368	Carrier Shield in Straight Hood		8
13	W-1-12607	1/4-20 x 1 1/2" lg. Hex Hd Capscrew S/S		A/R
14	W-1-7905	1/4" Stat-O-Seal Washer		A/R
15	W-0-15953	Rail Support 3/8" x 18 ga. x 1" Tube - S/S		A/R
16	-----	3/8 x 1" Rail - S/S		A/R
17	W-2-13265	Table Support Leg Assy		A/R
18	W-3-12093	Scrap Basket Assy (Includes items 19,20,21)		A/R
19	W-1-7018	Pull Handle w/spacers		1

ITEM NO.	PART NO.	DESCRIPTION	MODULE	QTY. REQ.
20	W-1-7103	#8-32 x 3/8" lg. Rd. Hd. Mach. Screw		2
21	W-1-7104	#8 Split Lockwasher		2
22	W-3-12087	Receiving Basket Housing Assy (Used with item 18).		1
22A	W-3-17845	Receiving Basket Housing (Type II) used only with item 23		1
23	W-3-17844	Scrap Basket (Type II) used only when space permits basket to be removed vertically from table)		1
24	W-0-17789	Clamp - Overshelf support.		2
25	W-1-9880	Beehive Strainer		1
26	W-1-8558	Drain Cup w/locknut & gasket (1 1/2" I.P.S.)		1
	P-1-5292	Gasket only		1
27	W-2-18925	135° Wear Strip) Order Combination to make		See Note
27A	W-2-18924	90° Wear Strip) 360°		
28	W-1-12973	10-24 x 7/8" lg. Flat Hd. Screw S/S) 8 req'd per 90° strip		
29	W-1-7284	10-24 Hex Nut S/S)		
30	W-1-7285	No. 10 Lockwasher S/S) 12 req'd per 135° strip		
31	W-0-16228	Conveyor Retaining Rail - For Field Repair only - Requires W-2-16229 Installation Drawing		1
32	W-1-18536	Auxiliary Leg Assy 30 7/8 to 32 1/2 lg.		A/R
33	W-1-12608	1/4-20 Fl. Hd. Mach. Screw		3

W-4-13950 - 12" Straight End Hood
 W-4-13949 - 16" Straight End Hood
 W-0-17652 - 45° End Hood (C.W.)
 W-0-17653 - 45° End Hood (C.C.W.)

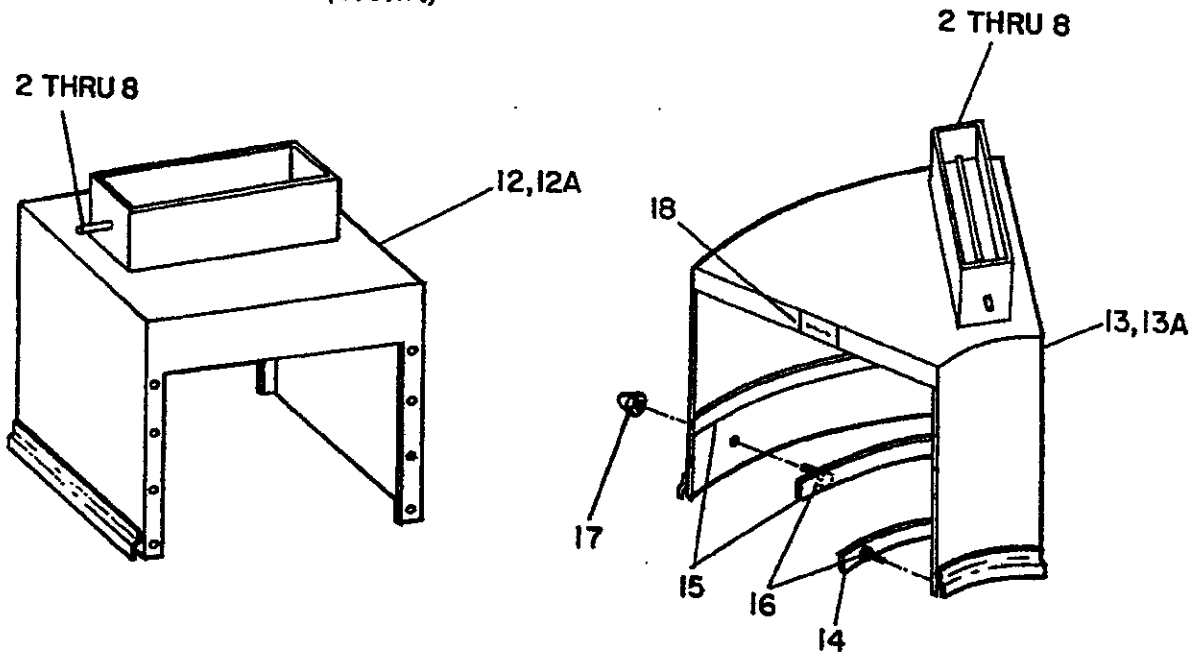


FIGURE 24 HOOD & VENT ASSEMBLIES

ITEM	PART NO.	DESCRIPTION	QTY
2	08515	Condensate Baffle	1
3	07629	Self Tapping Screw	4
4	03935	Damper Plate	1
5	55986	6/32 x 3/4" Long R.H.M.S.	3
6	05990	Elastic Stop Nut	3
7	03936	Rod, Damper	1
8	05988	Elastic Stop Nut	1
12	13949	16" Straight End Hood Assembly	1
12A	13950	12" Straight End Hood Assembly	1
12B	15771	12" Straight End Hood (Not illust.) (Req'd with 90°Hoods)	1
13	17652	45° End Hood Assembly (C.W. Conv. Travel with Vent)	1
13A	17981	45° End Hood Assembly (C.W. Conv. Travel without Vent)	1
13B	17653	45° End Hood Assembly (C.C.W. Conv. Travel with Vent)	1
13C	17914	45° End Hood Assembly (C.C.W. Conv. Travel without Vent)	1
13D	13875	90° Curved Hood Assembly (Ventless, not illust.)	A/R
13E	15787	90° Curved Hood Assembly (With Vent, not illust.)	A/R
13F	17850	120° Hood w/o vent (used between tanks, not illust.)	A/R
14	17622	45° Hood Rack Guide (Inside Radius)	1
14A	17624	90° Hood Rack Guide (Inside Radius)	1
14B	17626	120° Hood Rack Guide (Inside Radius)	1
15	17623	45° Hood Rack Guide (Outside Radius)	2
15A	17625	90° Hood Rack Guide (Outside Radius)	2
15B	17627	120° Hood Rack Guide (Outside Radius)	2
16	07146	Hex Nut 1/4-20	6
17	07003	Acorn Nut 1/4-20	6

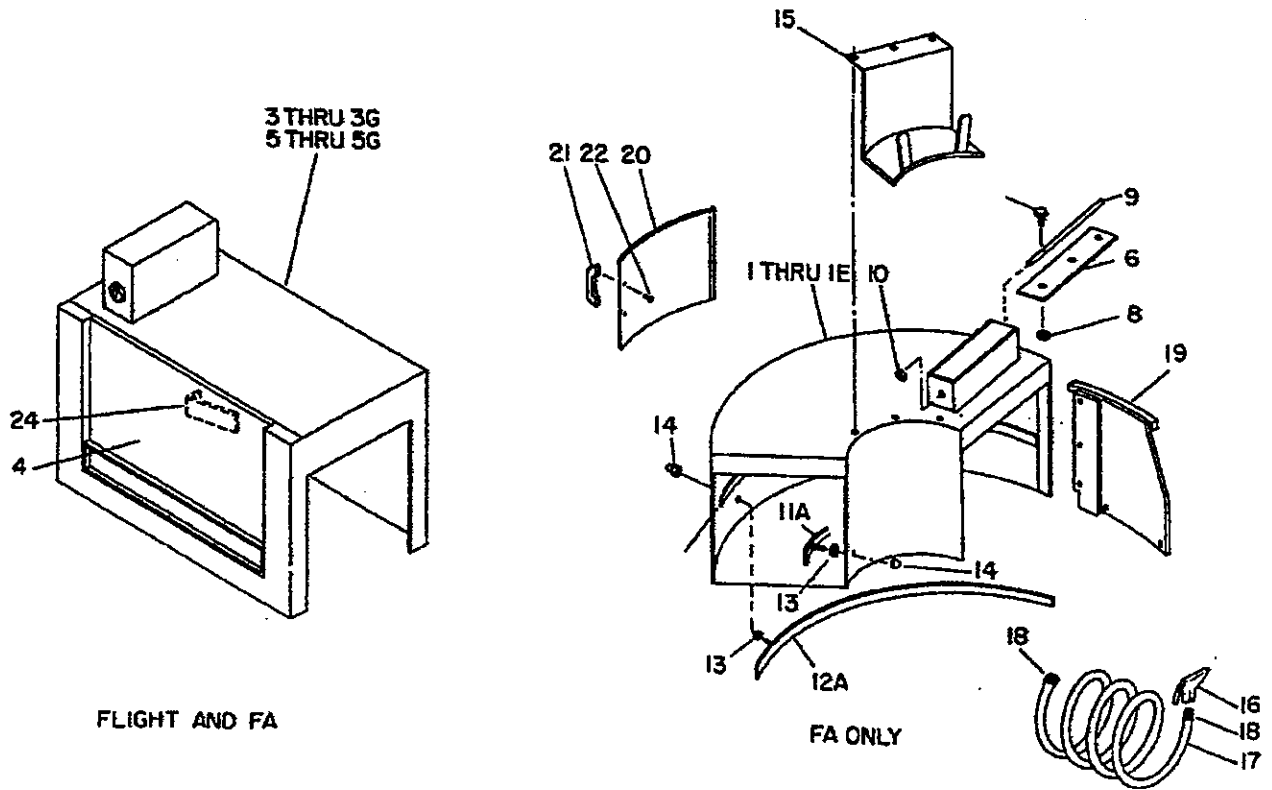


FIGURE 25 HOOD AND VENT ASSEMBLIES - WITH PREFLUSHER

ITEM NO.	PART NO.	DESCRIPTION	QTY. REQ.
1	W-4-15783	120° Hood & Vent Assy. - C.W. Conveyor	A/R
1A	W-4-17991	120° Hood Assy - no vent - C.W. Conveyor	A/R
1B	W-4-17993	120° Hood & Vent Assy. - C.C.W. Conveyor	A/R
1C	W-4-17995	120° Hood Assy - no vent - C.C.W. Conveyor	A/R
1D	W-4-18588	120° Hood & Vent Assy. C.C.W. with Clean-Out Door	A/R
1E	W-4-18602	120° Hood & Vent Assy. C.W. with Clean-Out Door	A/R
2	W-3-18079	12" + 90° Hood & Vent Assy. C.W.	A/R
2A	W-3-18081	12" + 90° Hood Assy - no vent - C.W.	A/R
2B	W-3-18083	12" + 90° Hood & Vent Assy. C.C.W.	A/R
2C	W-3-18085	12" + 90° Hood Assy. - no vent - C.C.W.	A/R
2D	W-3-18071	90° + 12" Hood & Vent Assy. C.W.	A/R
2E	W-3-18073	90° + 12" Hood - no vent - C.W.	A/R
2F	W-3-18075	90° + 12" Hood & Vent Assy. C.C.W.	A/R
2G	W-3-18077	90° + 12" Hood Assy. - no vent - C.C.W.	A/R
3	W-3-18378	Hood & Vent Assy. C.W. - Door In	A/R
3A	W-3-18376	Hood & Vent Assy. C.W. - Door Out	A/R
3B	W-3-18376	Hood & Vent Assy. C.C.W. - Door In	A/R
3C	W-3-18378	Hood & Vent Assy. C.C.W. - Door Out	A/R
3D	W-3-18357	Hood Assy. - No Vent - C.W. - Door In	A/R
3E	W-3-18355	Hood Assy. - No Vent - C.W. - Door Out	A/R

NOT ILLUSTRATED

ITEM NO.	PART NO.	DESCRIPTION	MODULE	QTY. REQ.
3F	W-3-18355	Hood Assy. - No Vent - C.C.W. Door In		A/R
3G	W-3-18357	Hood Assy. - No Vent - C.C.W. Door Out		A/R
4	W-3-17753	Door Assy. - part of Assembly 3 thru 3G and 5 thru 5G		A/R
5	W-3-16740	Hood & Vent Assy. R to L Std. Width		A/R
5A	W-3-16794	Hood & Vent Assy. L to R Std. Width		A/R
5B	W-3-16738	Hood & Vent Assy. R to L Xtra Wide		A/R
5C	W-3-16739	Hood & Vent Assy. L to R Xtra Wide		A/R
5D	W-3-18481	Hood Assy. - No Vent - L to R Std. Width		A/R
5E	W-3-18483	Hood Assy. - No Vent - R to L Std. Width		A/R
5F	W-3-18485	Hood Assy. - No Vent - L to R Xtra Wide		A/R
5G	W-3-18487	Hood Assy. - No Vent - R to L Xtra Wide		A/R
6	W-2-3935	Damper Plate		1
7	W-1-5986	#6-32 x 3/4" Ig. Rd. Hd. Mach. Screw		3
8	W-1-5990	Elastic Stop Nut #6-32		3
9	W-2-3936	Damper Rod		1
10	W-1-5988	Elastic Stop Nut		1
11	W-1-17624	90° Hood Rack Guide (Inside Rad.)		1
11A	W-1-17626	120° Hood Rack Guide (Inside Rad.)		1
12	W-1-17625	90° Hood Rack Guide (Outside Rad.)		2
12A	W-1-17627	120° Hood Rack Guide (Outside Rad.)		2
13	W-1-7146	1/4-20 Hex Nut		6
14	W-1-7093	1/4-20 Acorn Nut		6
15	W-2-15886	Hose Holder Bracket		1
16	W-0-16423	Lever Type Hose Nozzle		1
17	W-0-16424	1/2" Rubber Hose - 25 ft. lg.		1
18	W-0-16695	1/2" Hose Coupling (Consists of 2 pieces female end used with nozzles, male end connects to supply line, use garden hose gaskets)		1
19	W-3-16394	Preflusher Splash Shield (C.W.) (OPTIONAL - May be used with any hood but table must continue to curve)		A/R
19A	W-3-16393	Preflusher Splash Shield (C.C.W.)		A/R
20	W-2-18673	Inspection Door Assy. (includes item 21)(Used on Hoods 1D & 1E)		1
21	W-1-7018	Handle		1
22	W-1-7476	8-32 x 3/8" Ig. Screw S/S		2
23	W-0-17649	Retractable Hose Reel Assy. (Not illust.)		A/R
24	W-2-18389	Rack Guide		1

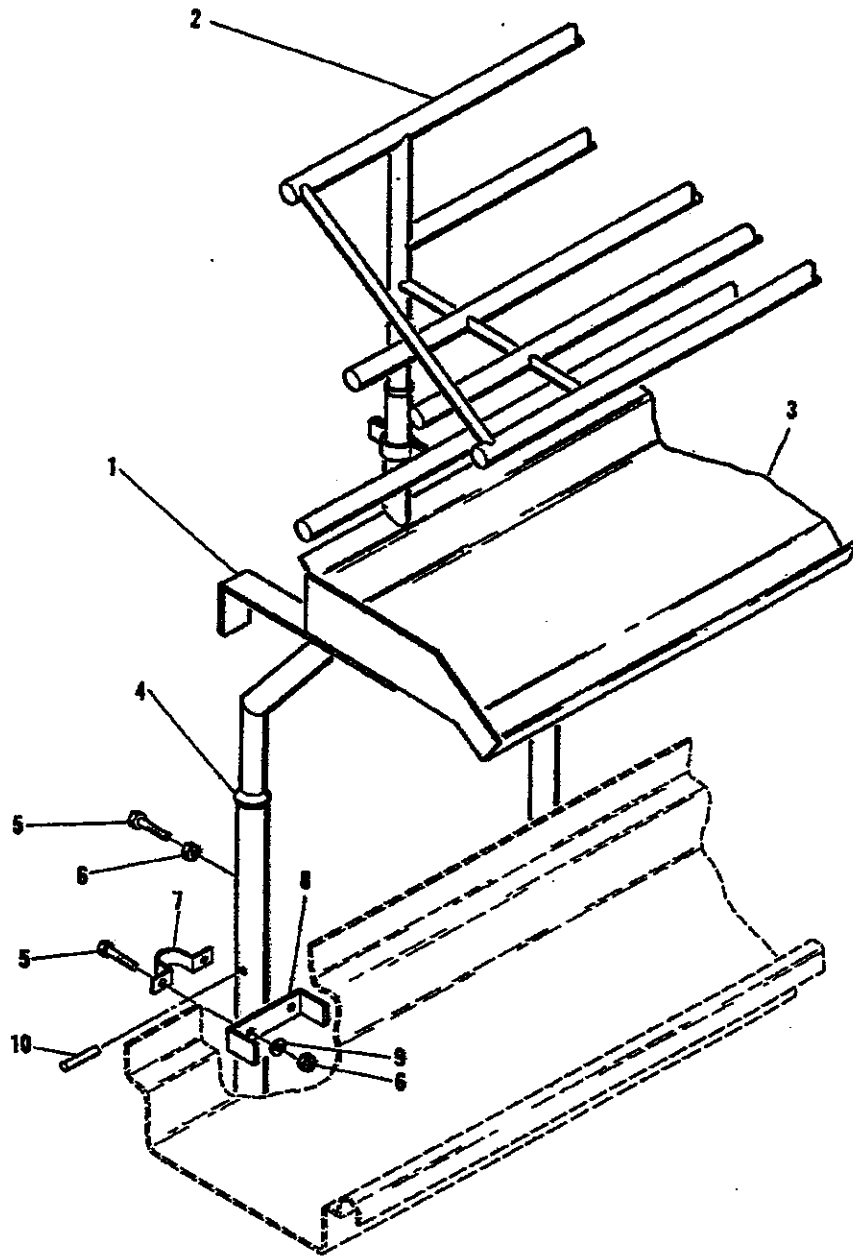


FIGURE 26. OVERSHELVES (FIELD DRILLED AND INSTALLED)

ITEM NO.	PART NO.	DESCRIPTION	QTY. REQ.
1	W-1-15718	Overshelf Stiffener Bracket (Field Drilled)	A/R
2	W-0-18106	Upper Shelf 3'6" Lg.	A/R
2A	W-0-18107	Upper Shelf 5'2" Lg.	A/R
2B	W-0-18108	Upper Shelf 6'10" Lg.	A/R
2C	W-0-18109	Upper Shelf 8'6" Lg.	A/R
2D	W-0-18110	Upper Shelf 10'2" Lg.	A/R

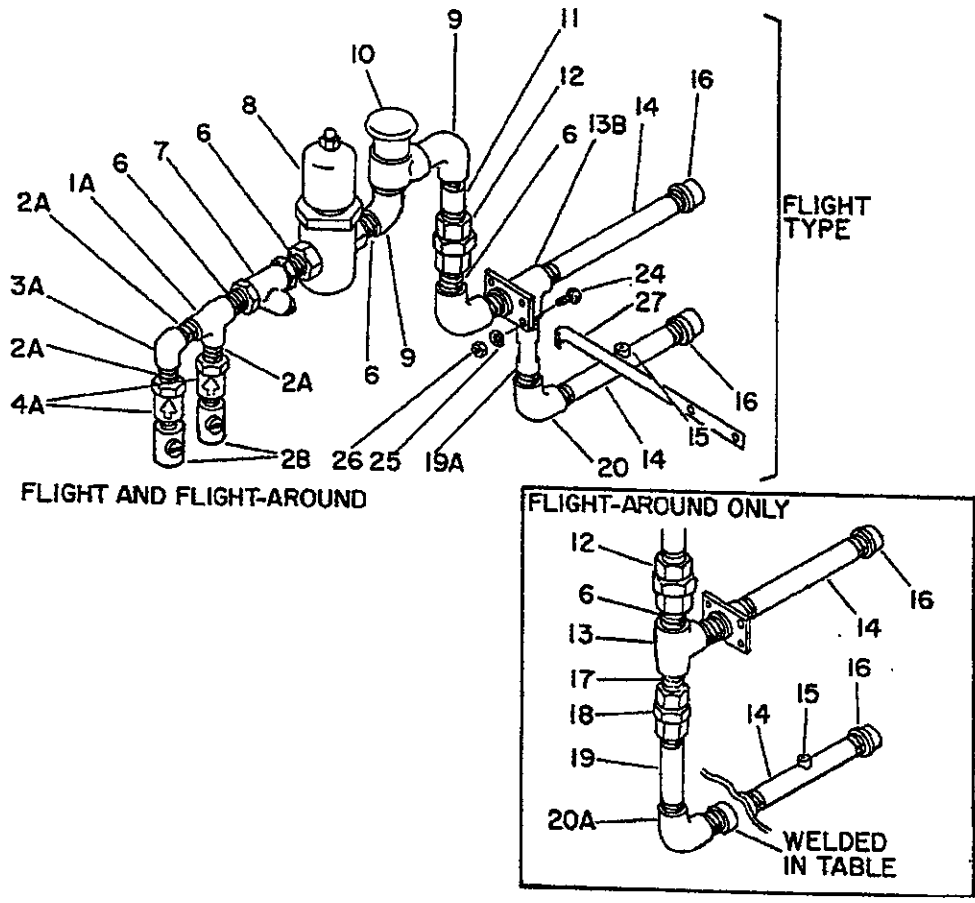
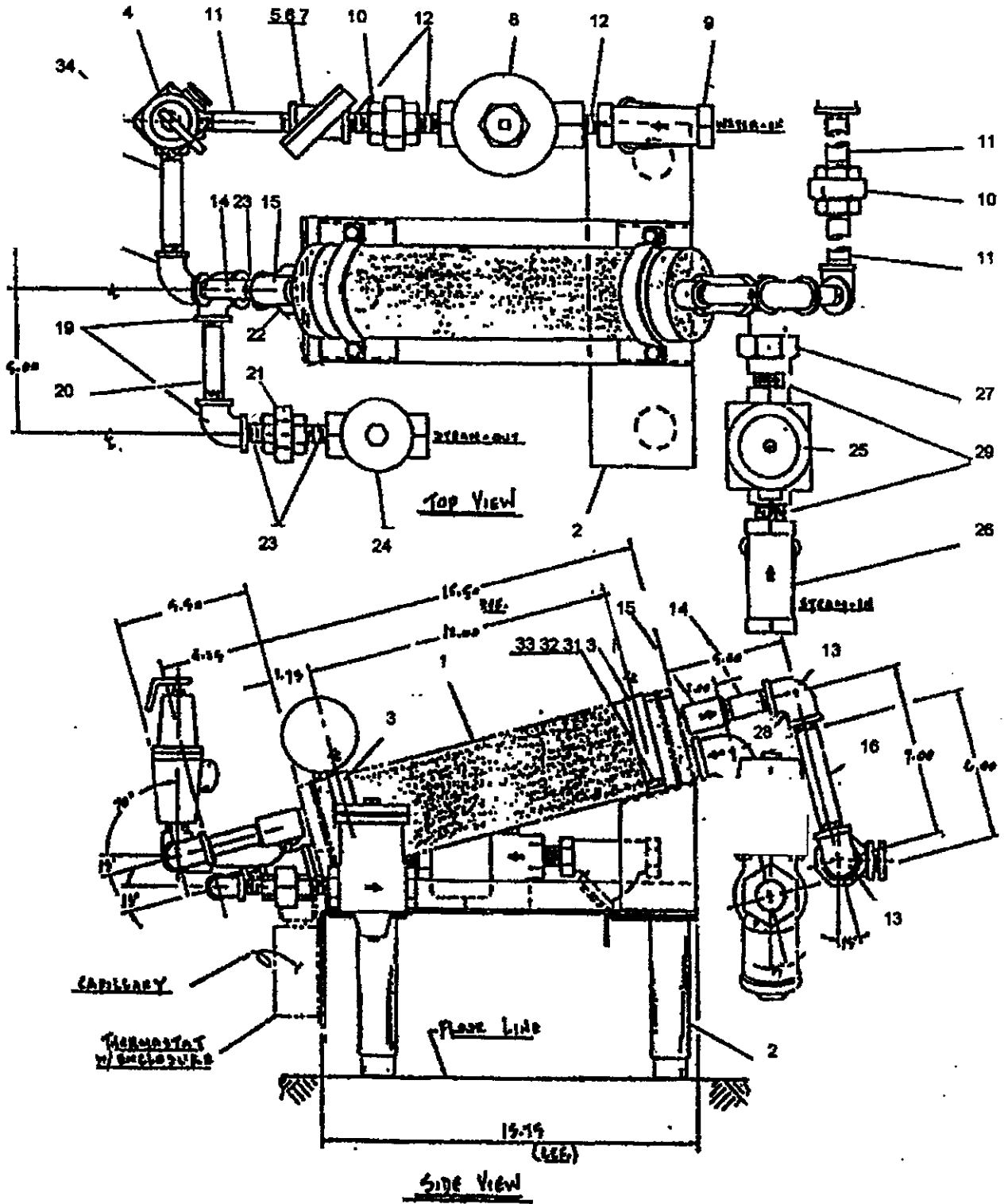


FIGURE 27. PREFLUSHER PRERINSE PLUMBING BEGINNING 10/1/76

ITEM NO.	PART NO.	DESCRIPTION	QTY. REQ.
1	W-1-13884	3/4 x 1/2 x 1/2 NPT Tee Brass (Single Spray Pipe)	1
1A	W-1-12980	3/4" x 3/4 x 3/4" NPT Tee Brass (Double Spray Pipe)	1
2	W-1-10725	1/2" NPT Close Nipple, Brass (Single Spray)	3
2A	W-1-7509	3/4" NPT Close Nipple, Brass (Double Spray)	3
3	W-1-7517	1/2" NPT 90° Elbow Brass (Single Spray)	1
3A	W-1-8219	3/4" NPT 90° Elbow Brass (Double Spray)	1
4	W-0-12231	3 G.P.M. Flow-Control Valve (Single Spray)	2
4A	W-0-12232	6 G.P.M. Flow-Control Valve (Dual Spray)	2
5	W-0-18528	1/2" NPT Plug, Brass (Single Spray)	1
6	W-1-7509	3/4" NPT Close Nipple	4
7	W-1-7026	3/4" NPT Line Strainer	1
7A	W-1-13385	Screen only for Line Strainer	1
8	W-1-12488	3/4" NPT Solenoid Valve	1
9	W-1-8452	3/4" NPT 90° Street Elbow, Brass	2
10	W-1-5913	3/4 NPT Vacuum Breaker	1
11	W-0-14503	3/4" NPT x 3" Jg. Nipple, Brass	1
12	W-1-13608	3/4" NPT Uni on, Brass	1
13	W-0-11931	Tee & Plate Assy. (for Straight FA Hoods)	1
13A	W-0-12210	Tee & Plate Assy. (for Curved FA Hoods)	1

ITEM NO.	PART NO.	DESCRIPTION	MODULE	QTY. REQ.
13B	W-0-12233	Tee & Plate Assy. (for Flight Hoods)		1
14	W-1-14880	Spray Pipe - Upper & Lower (Flight)		2
14A	W-1-14880	Spray Pipe - Upper Only (FA)		1
15	W-1-12415	Spray Nozzle 1.4 Gal/Min @ 20 psi		4 Ea. Pipe
16	W-1-8709	1/2" NPT Pipe Cap S/S		1 Ea. Pipe
17	W-1-10725	1/2" NPT Close Nipple, Brass (FA Only)		2
18	W-1-12985	1/2" NPT Union, Brass (FA only)		1
19	W-0-12218	1/2" NPT Connecting Pipe (FA only)		1
19A	W-1-16945	1/2" NPT Connecting Pipe (Flight Only)		1
20	W-1-12477	1/2" NPT 90° Elbow (Flight only)		1
20A	W-1-7517	1/2" NPT 90° Elbow (FA Only)		1
21	W-0-12234	1/2" NPT Coupling (FA Only) welded into table		1
22	W-1-15779	Spray Pipe - Lower Only (FA)		1
23	W-1-12077	Rack Guide		1
24	W-1-7118	1/4-20 Hex Hd. Mach. Screw S/S		4
25	W-1-7007	1/4" Split Lockwasher S/S		4
26	W-1-7146	1/4-20 Hex Nut S/S		4
27	W-1-12077	Rack Guide		1
28	W-0-12613	1/2" All Position Check Valve (Single Spray Pipe)		2
28A	W-0-13095	3/4" All Position Check Valve (Double Spray Pipe)		2

FIGURE 28. S-2 STEAM BOOSTER



S-2 STEAM BOOSTER ASSEMBLY

ITEM	PART NO.	DESCRIPTION	QTY.
1	73765	S-2 Heat Exchanger	1
2	73779	Stand	2
3	73776	Clamp	1
4	7918	Pressure Relief Valve -3/4"	1
5	4082	1/4" to 1/2" N.P.T. Gauge Cock	1
6	7508	3/4" x 3/4" x 1/4" Tee - Brass	1
7	7917	Pressure Gauge - 1/4"	1
8	7916	Pressure Relief Valve - 3/4"	1
9	7026	3/4" Strainer - Brass	1
10	13608	3/4" Union - Brass	2
11	10889	3/4" x 4" long Pipe - Brass	4
12	7509	3/4" Close Nipple - Brass	3
13	8219	3/4" x 90 Degree Elbow - Brass	3
14	14506	3/4" x 3-1/2" Long Pipe - Brass	2
15	8215	3/4" Coupling - Brass	2
16	13887	3/4" x 6" Long Pipe - Brass	1
17	12980	3/4" Tee - Brass	1
18	14203	3/4" To 3/8" Reducer Bushing - Brass	1
19	10029	1/2" x 90 Degree Elbow - Mal. Iron	2
20	13051	1/2" x 4" Long Pipe - Black Steel	1
21	11957	1/2" Union - Mal. Iron	1
22	72986	1" to 1/2" Bell Reducer - Mal. Iron	1
23	14824	1/2" x 2" Long Nipple - Black Steel	3
24	16877	Steam Trap - 1/2"	1
25	7919	Solenoid Valve - 1"	1
26	7921	1" Strainer - Mal. Iron	1
27	11955	1" x 90 Degree Union Elbow - Mal. Iron	1
28	11953	1" x 90 Degree Elbow - Mal. Iron	1
29	11954	1" Close Nipple - Black Steel	2
30	14204	1" x 4" Long Pipe - Black Steel	1
31	7621	5/16"-18 x 3/4" Stainless Steel Hex Bolt	4
32	12574	5/16" Stainless Steel Nut	4
33	7598	5/16" Stainless Steel Lock Washer	4
34	13637	3/4" Side Out Elbow - Brass	1

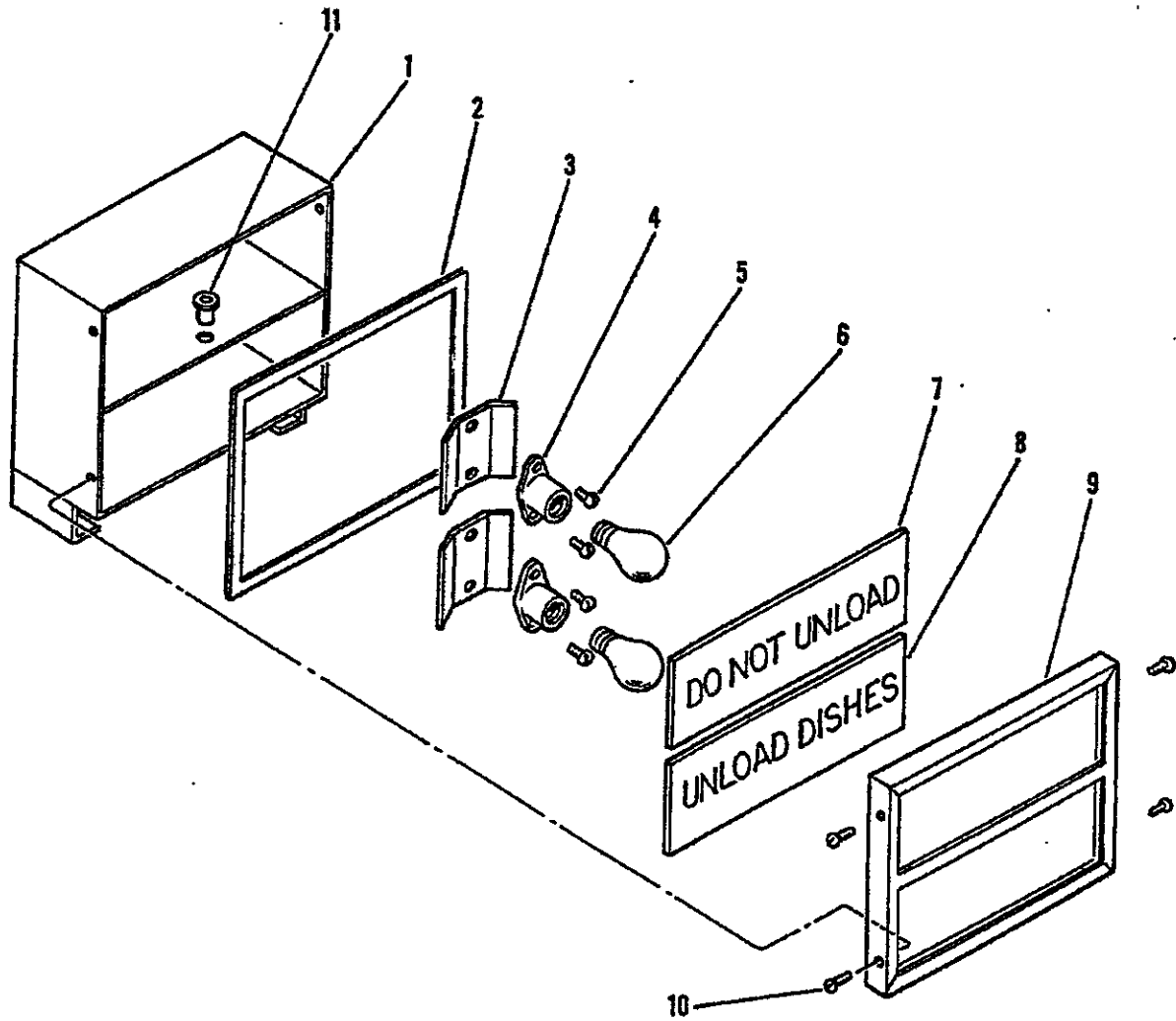


FIGURE 29. ONE MAN COST CONTROL LIGHT BOX

ITEM NO.	PART NO.	DESCRIPTION	QTY REQ.
1	W-1-13935	Indicator Light Box - Weldment	1
2	W-1-13939	Gasket Assy	1
3	W-1-13938	Reflector	2
4	W-1-13943	Porcelain Cleat Receptacle	2
5	W-1-10306	#8-32 5/8 Lg. Rd Hd Mach. Screw S/S	4
6	W-1-13944	Lamp Frosted White, 25 Watt (125-130V)	2
7	W-1-13940	"Do Not Unload" Red Plexiglass Sign	1
8	W-1-13941	"Unload Dishes" Green Plexiglass Sign	1
9	W-1-13937	Indicator Light Box - Cover	1
10	W-1-9887	#6-32 x 1/2 Lg Rd Hd Mach. Screw S/S	4
11	W-1-13945	Heyco Bushing Type SB-500-5	1

AUXILIARY "ONE MAN COST CONTROL"
CONTROL BOX ASSEMBLY W-0-16787

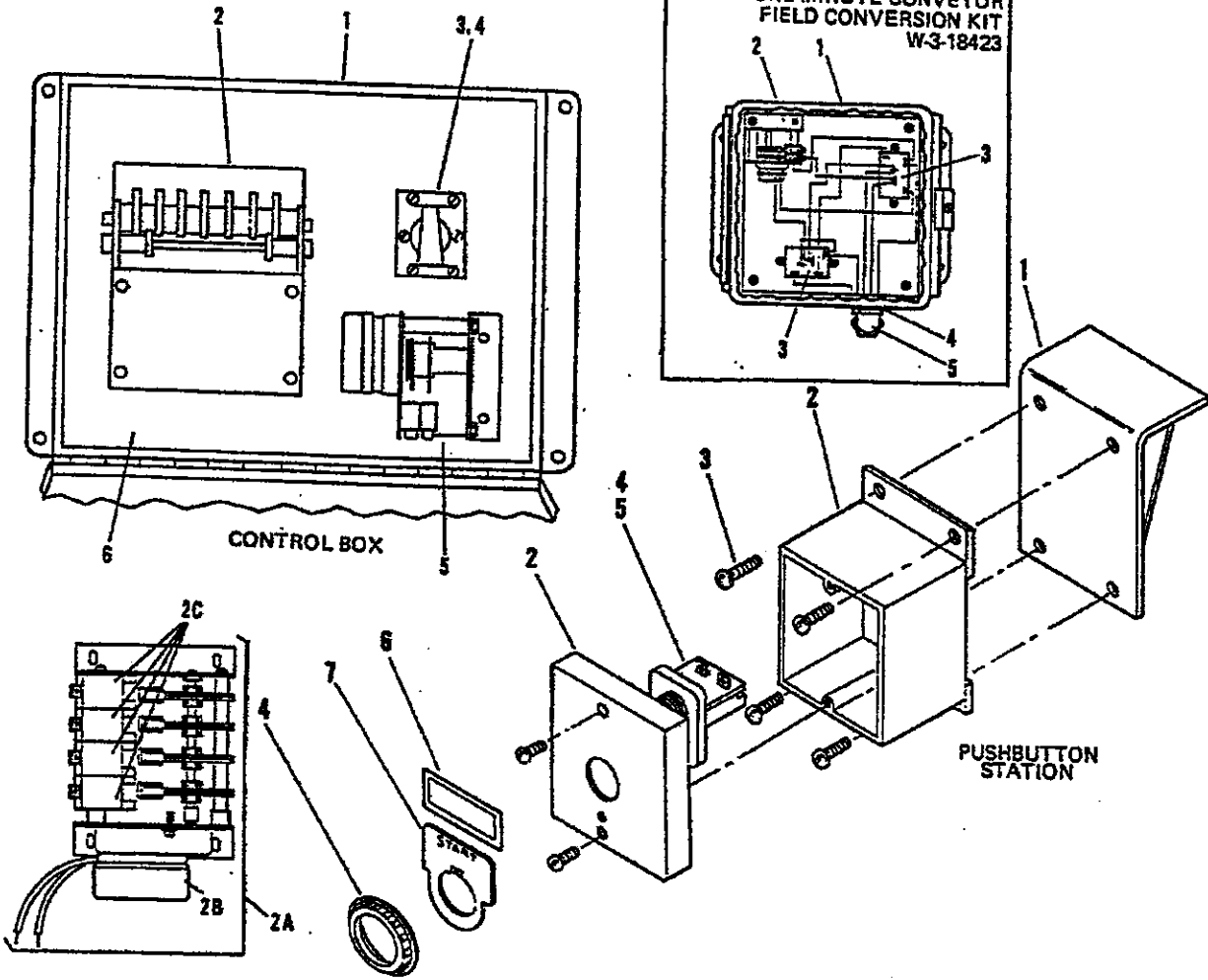
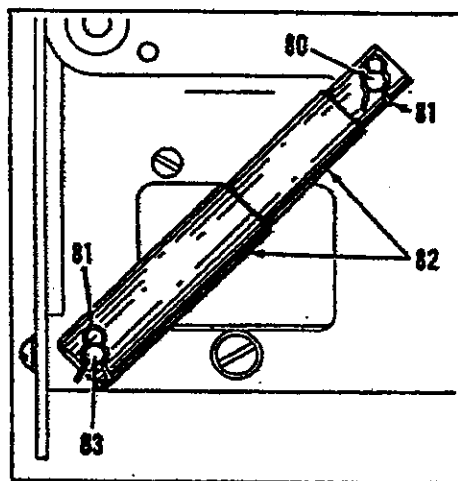
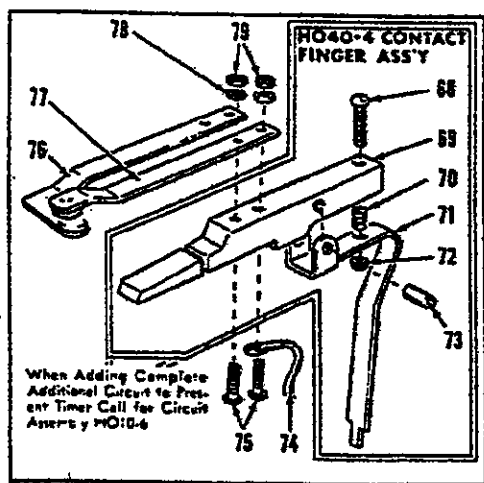
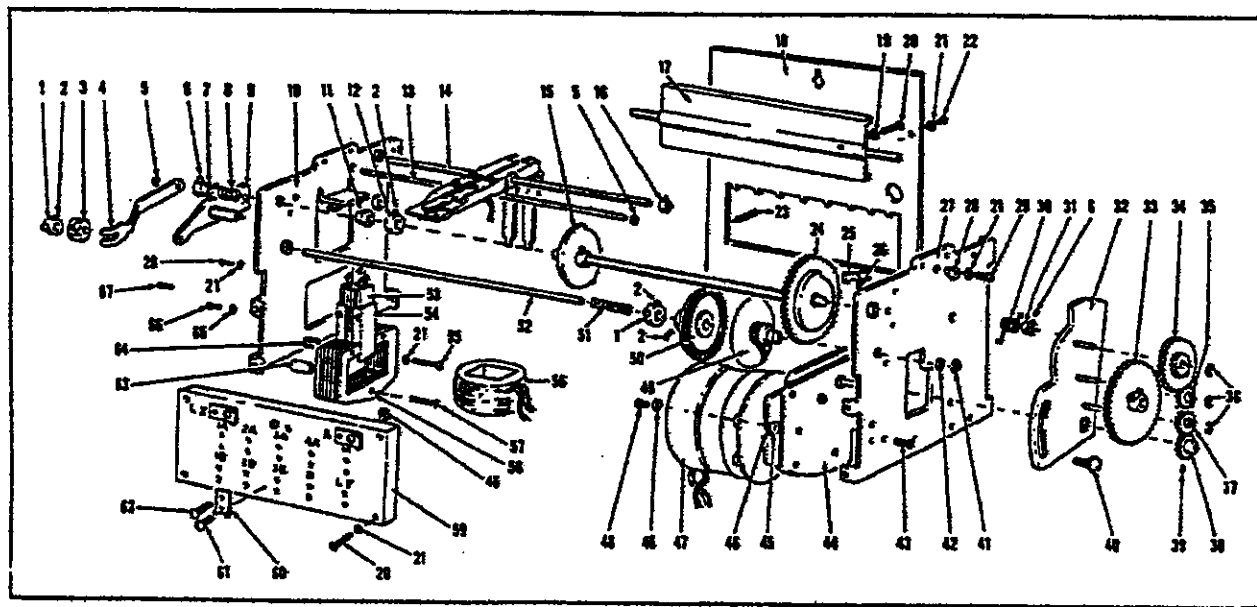


FIGURE 30. ONE MAN COST CONTROL BOX, PUSHBUTTON STATION AND TIMED CONVEYOR COMPONENTS

ITEM NO.	PART NO.	DESCRIPTION	QTY REQ.
1	W-0-16780	Control Box	1
2	W-0-14407	Timer (for Std. Installation) Type A	1
2A	W-0-18513	Timer - 10 minute - Type B (Includes Items 2B & 2C)	1
2B	W-0-18571	Motor - for Type B Timer	1
2C	W-0-18570	Switch - for Type B Timer	1
3	W-1-13606	Relay - Std. OMCC	4
4	W-0-16935	Relay for OMCC with Timed Conveyor Option) SELECT	1
5	W-2-14480	Timer (for Timed Conveyor Option)	1
6	W-0-16781	Chassis Panel	A/R

ITEM NO.	PART NO.	DESCRIPTION	QTY. REQ.
"START" PUSH BUTTON STATION ASSEMBLY FOR "ONE MAN COST CONTROL"			
1	W-1-13961	Bracket	1
2	W-1-8361	Wiring Box (includes cover & screws)	1
3	W-1-8131	#10-32 x 1/2" Rd. Hd. Screw S/S	4
4	W-1-7203	"Start" Pushbutton (includes locknut)	1
5	W-1-7205	Contact Block - Normally Open	1
6	W-1-13955	"One Man Cost Control" Decal	1
7	W-1-12839	"Start" Legend Plate	1
	W-3-18423	FIELD CONVERSION KIT FOR "ONE MINUTE CONVEYOR TIMER" (ONE-MAN COST - FLIGHT-AROUNDS)	
1	W-1-8965	Enclosure (for remote location)	1
2	W-2-14480	Timer - 120V, One Minute	1
3	W-0-14246	Relay S.P.D.T. (R.B.M.)	2
4	W-1-7587	Gasket Assy. - 1/2"	2
5	W-1-7577	1/2" - 90° Short Elbow	2
6	W-0-18426	1/2" Thinwall E.M.T. Tubing	A/R



Complete Assy - H043A604

For parts ordering information, contact
 Eagle Signal Div. of Gulf & Western
 736 Federal Street
 Davenport, Iowa 52803
 Telephone 319/326-8127

FIGURE 31. ONE MAN COST CONTROL POLYFLEX TIMER TYPE A (14407)

FIGURE 31. ONE MAN COST CONTROL POLYFLEX TIMER

ITEM NO.	PART NO.	DESCRIPTION	QTY REQ.
1	H-2133	Collar w/two 3-48 x 5/32" Fillister Hd. Set Screw	2
2	E-1681	3-48 x 5/32 Fillister Hd. Set Screw	7
3	H-4019	Bearing	1
4	H-3469	Clutch Lever	1
5	PER-1	Retaining Ring	1
6	H-174	Set Screw	3
7	H-3167	Collar w/one 5-40 x 3/16" Fillister Hd Set Screw	A/R
8	PES-15	Spring	1
9	H010-20	Arm Assy	1
10	H010-15	Left Side Plate Assy	1
11	H-3168	Cam Shaft Bushing	1
12	H-2992	Collar w/two 3-48" x 5/32" Fillister Hd Set Screws	1
13	H-3392	Retainer Rod (H040 Series)	1
14	H-3389	Contact Shaft (H040 Series)	1
15	H040-6	Cam Assy	1
16	H-1012	Collar w/one 3-48 x 5/32" Fillister Hd Set Screw	A/R
17	H010-21	Lift Plate Assy (H040 Series)	1
18	H-3396	Bottom Plate (H040 Series)	1
19	0150525	5-40 Hex Nut	1
20	0116503	5-40 x 7/16" RHMS Steel	1
21	0158118	No. 6 Lockwasher	5
22	0116424	5-40 x 1/4" RHMS Steel	13
23	PES-17	Spring	4
24	H060-4	Shaft Assy (H040 Series)	A/R
25	H-2921	Pawl	1
26	PES-21	Spring	1
27	H010-16	Right Hand Side Plate Assy	1
28	H-6657	Clamp Screw Spacer	1
29	0116607	6-32 x 5/16" RHMS, Brass	2
30	PES-18	Spring	1
31	H-3470	Collar	1
32	H010-60	Gear Plate Assy	1
33	H010-50	Cycle Change Gear, 30 tooth	1
	H010-52	Cycle Change Gear, 60 tooth	1
	H010-57	Cycle Change Gear, 80 tooth	1
	H010-53	Cycle Change Gear, 90 tooth	1
34	HF11-34	Gear Assy	1
35	H010-59	Gear Assy	1
36	PER-2	Retaining Ring	3
37	H010-58	Gear Assy	1
38	H-5429	Pinion	1
39	0135417	5-40 x 1/8" Hollow Point Set Screw	2
40	0141418	Knurled Screw	1
41	PER-5	Retaining Ring	1
42	H-3039	Washer, .006" thick (used for end play adjustment)	A/R
43	0116127	4-36 x 1/4" FHMS	3
44	NOT USED		
45	0158110	No. 4 Lockwasher	5
46	0150517	4-36 Hex Nut	A/R
47	PMG-102	Motor, 60 cycle	1
47A	PMG-101	Motor, 50 cycle	1
48	0144925	4-36 x 3/16" RHMS Steel	2
49	H010-11	Floating Clutch Disk Assy	1
50	H010-10	Clutch Disk Assy	1
51	PES-20	Spring	1
52	H-3391	Clutch Shaft (H040 Series)	1
53	H010-19	Plunger (H040 Series)	1
54	H-4805	Coil Guide	2
55	0116625	6-32 x 1-1/8" RHMS, Steel (H040 Series only)	2

Parts shown for reference only.

ITEM NO.	PART NO.	DESCRIPTION	QTY REQ.
56	H010-71	Clutch Coil, 115V-50/60 Cy	1
57	0116813	8-32 x 1-1/8" RHMS, Steel (H040 Series only)	1
58	H010-18	Magnet Frame (H030 Series)	1
59	H-5540	Terminal Panel (H040 Series)	1
60	L-196	Terminal	A/R
61	0123219	Terminal Screw	A/R
62	0116209	4-36 x 1/2", RHMS, Brass	A/R
63	H-2471	Post	1
64	H-3459	Spacer	2
65	0158122	No.8 Lockwasher	1
66	0116723	8-32 x 5/16", RHMS, Steel	1
67	0118827	6-32 x 5/16", RHMS, Brass	1
68	0116405	4-40 x 3/4" RHMS, brass	1*
69	PMC-1	Contact Finger	1*
70	PES-16	Spring	1*
71	H-3384	Finger	1*
72	0153807	4-40 Elastic Stop Nut	1*
73	H-2487	Bushing	1*
74	H-010-22	Wire Assy	1*
75	0116805	8-32 x 5/8" RHMS, brass	2*
76	H010-30	Contact Assy, lower	1*
77	H010-29	Contact Assy, upper	1*
78	0158122	No.8 Lockwasher	2*
79	0150701	8-32 Hex Nut, brass	2*
PARTS REQUIRED FOR NORMALLY CLOSED CONTACTS			
80	H-2631	Pin	1
81	PJC-1	Spring Clip	2
82	H010-43	Dash Pot Assy	1
83	H-2630	Stud	1
	0150701	8-32 Hex Nut (Not Shown)	1
	0158122	No.8 Lockwasher (Not Shown)	1
	PES-19	Spring	1

* Amount Required for one contact

For parts ordering information, contact:
Eagle Signal Div. of Gulf & Western
736 Federal Street
Davenport, Iowa 52803
Telephone: 319/326-8127

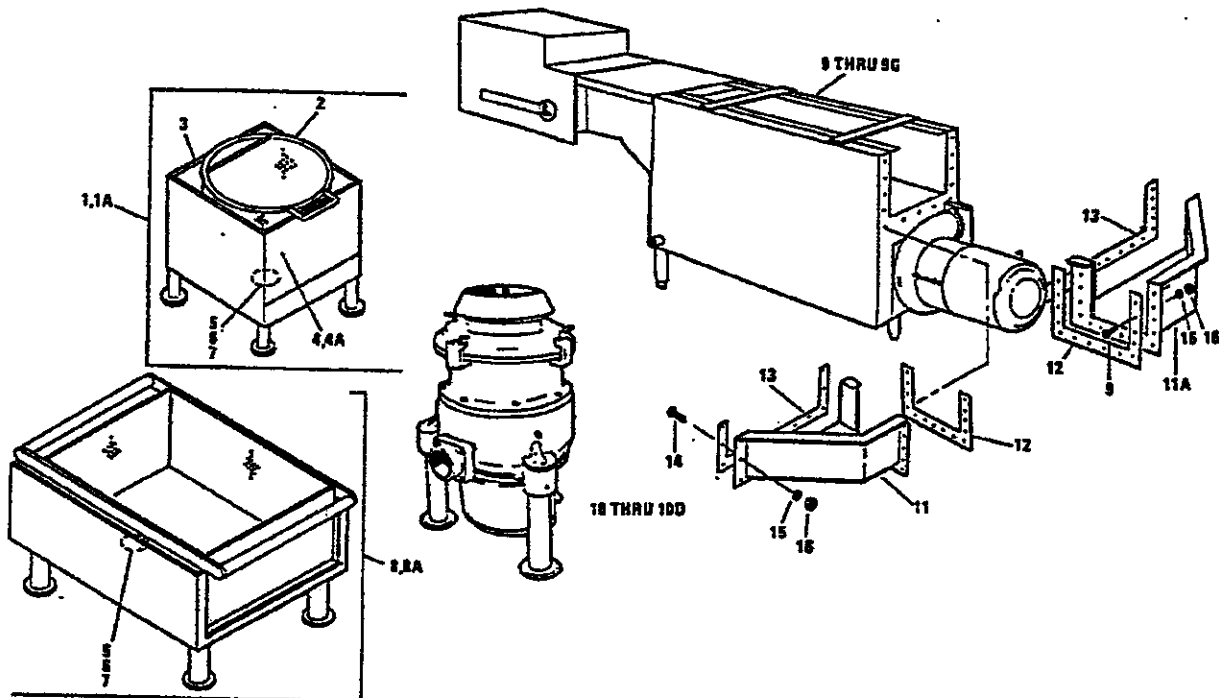


FIGURE 32. SCRAP ACCUMULATOR, FLUSHVEYORS & DISPOSERS

ITEM NO.	PART NO.	DESCRIPTION	QTY. REQ.
1	W-0-18350	Square Accumulator Assy- 3" legs (Flight Machines)	1
1A	W-0-18341	Square Accumulator Assy- 6" legs (FA Machines)	1
2	W-3-15766	Scrap Basket	1
3	W-1-15775	Accumulator Door	1
4	W-4-15748	Accumulator Base w/6"legs	1
4A	W-2-18342	Accumulator Base w/3"legs	1
5	W-1-8558	Drain Assy w/gasket and locknut	1
6	P-1-5292	Gasket Only	1
7	W-2-19998	Drain Screen Strainer	1
8	W-0-18352	Rectangular Accumulator Assy. - 3" legs (Flight Machines) (see fig. 62A for brkdwn - Also includes items 5, 6, 7)	1
8A	W-0-18351	Rectangular Accumulator Assy. - 6" legs (FA Machines) (see fig. 62A for brkdwn - also includes items 5, 6, 7)	1
9	W-0-17465	Flush-Veyor, Model L, 1 Ph, 115/230V	1
9A	W-0-17466	Flush-Veyor, Model L, 3 PH, 220/440V	1
9B	W-0-17648	Flush-Veyor, Model L, 3 Ph, for use w/Bi-directional disposer	1
9C	W-2-17460	Flush-Veyor, Model L, without motors or drive	1
9D	W-0-17463	Flush-Veyor, Model S, 1 Ph, 115/230V	1
9E	W-0-17464	Flush-Veyor, Model S, 3 Ph, 220/440V	1
9F	W-0-17647	Flush-Veyor, Model S, 3 Ph, for use w/Bi-directional disposer	1
9G	W-2-17459	Flush-Veyor, Model S, without motors or drive (Disposers are 220/440V, 3 ph, 60 Cy)	1

ITEM NO.	PART NO.	DESCRIPTION	QTY, REQ.
10	W-0-16886	Disposer - 3 H.P. (Master)	Low Model ** 1
10	W-0-17775	Disposer - 3 H.P. (Red Goat)	For Flight 1
10	W-0-18365	Disposer - 3 H.P. (Salvador) 1
10A	W-0-16887	Disposer - 5 H.P. (Master)	Machine & Model 1
10A	W-0-17776	Disposer - 5 H.P. (Red Goat)	"L" Flush-Veyor 1
10A	W-0-18366	Disposer - 5 H.P. (Salvador) 1
10A	W-0-18367	Disposer - 7.5 H.P. (Salvador) 1
10B	W-0-16888	Disposer - 3 H.P. (Master) 1
10B	W-0-17772	Disposer - 3 H.P. (Red Goat) 1
10B	W-0-18368	Disposer - 3 H.P. (Salvador)	Std. Model * 1
10C	W-0-16889	Disposer - 5 H.P. (Master)	for FA Mach. 1
10C	W-0-17773	Disposer - 5 H.P. (Red Goat)	& "S" Model 1
10C	W-0-18369	Disposer - 5 H.P. (Salvador)	Flush-Veyor 1
10D	W-0-16890	Disposer - 7.5 H.P. (Master) 1
10D	W-0-17774	Disposer - 7.5 H.P. (Red Goat) 1
10D	W-0-18370	Disposer - 7.5 H.P. (Salvador) 1
11	W-0-17518	Adapter - Trough to Flush-Veyor L-side 1
11A	W-0-17519	Adapter - Trough to Flush-Veyor R-side 1
12	W-2-17513	Gasket 1
13	W-0-17512	Trough Attachment 1
14	W-1-5960	3/8"-16 Pan Head Screw S/S	A/R
15	W-1-7524	3/8" Lock Washer S/S	A/R
16	W-1-5998	3/8" -16 Hex.Nut S/S	A/R

Part No. includes Flush-Veyor, motors & drive & control box.
* Std. model disposers are supplied with flexible sleeve (P/N W-0-18045) and two S/S clamps (P/N W-0-18044) for attachment to Flush-Veyor, Master Co. disposers are supplied with an additional adapter collar (P/N W-0-18097)- 7" Dia. NOTE: Early model Master disposers were supplied with an 8 1/2" throat. A 7" throat is now available (Master P/N B-556-D)
** Low model disposers are supplied with connection gasket (P/N W-0-18046).

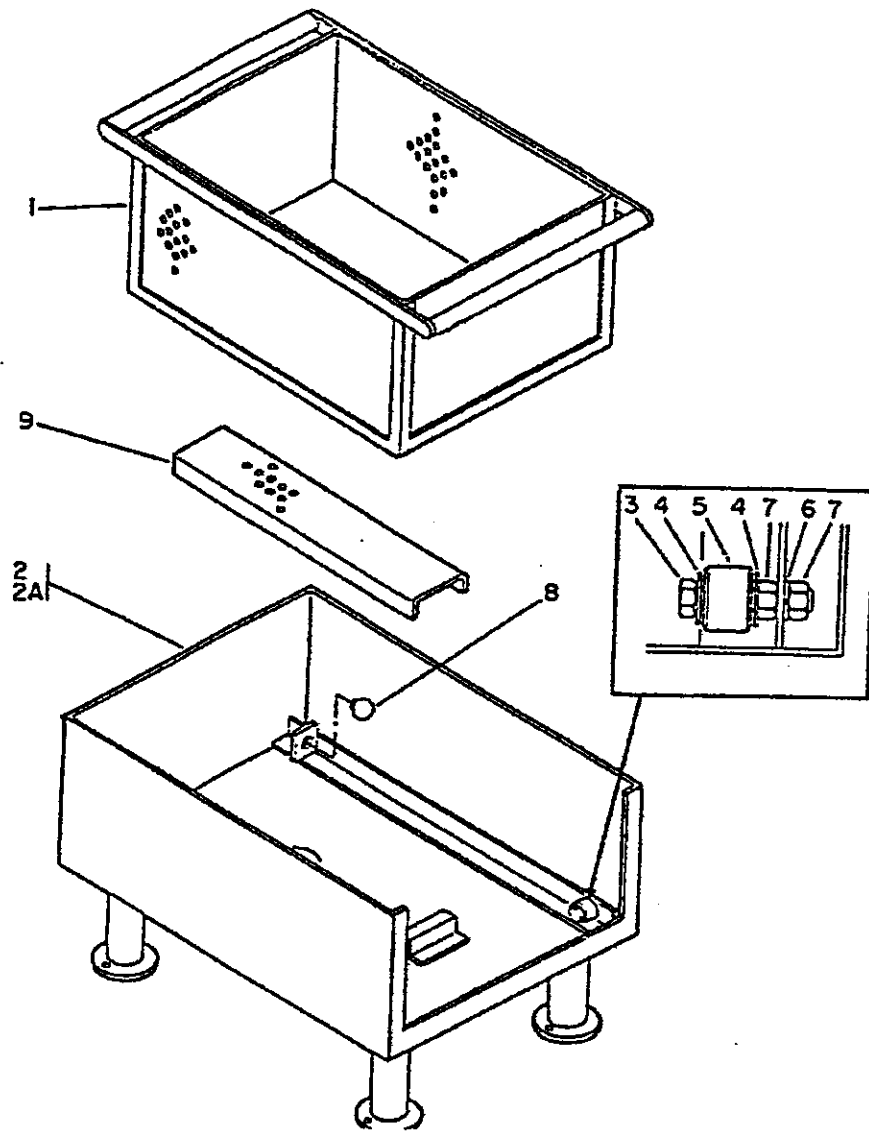


FIGURE 32A. SCRAP ACCUMULATOR

ITEM NO.	PART NO.	DESCRIPTION	QTY. RECD.
	W-0-18352	RECTANGULAR ACCUMULATOR ASSY - 3" legs for use with Flight Machines (includes items 1 thru 9)	
	W-0-18351	RECTANGULAR ACCUMULATOR ASSY - 6" legs for use with Flight-Around Machines (includes items 1 thru 9)	
1	W-3-18345	SCRAP BASKET	1
2	W-2-18344	ACCUMULATOR HOUSING w/3" LEGS	1
2A	W-2-18343	ACCUMULATOR HOUSING w/6" LEGS	1
3	W-0-14392	3/8-16 x 2" LG. S/S HEX HD. BOLT	2
4	W-1-7095	13/32 I.D. x 13/16" O.D. S/S WASHER	4
5	W-1-12834	1" DIA. ROLLER	2
6	W-1-7524	3/8" S/S SPLIT LOCKWASHER	2
7	W-1-8141	3/8-16 S/S HEX LOCKNUT	4
8	W-0-14722	BUMPER (Rubber)	2
9	W-2-18338	DRAIN SCREEN ASSY	1

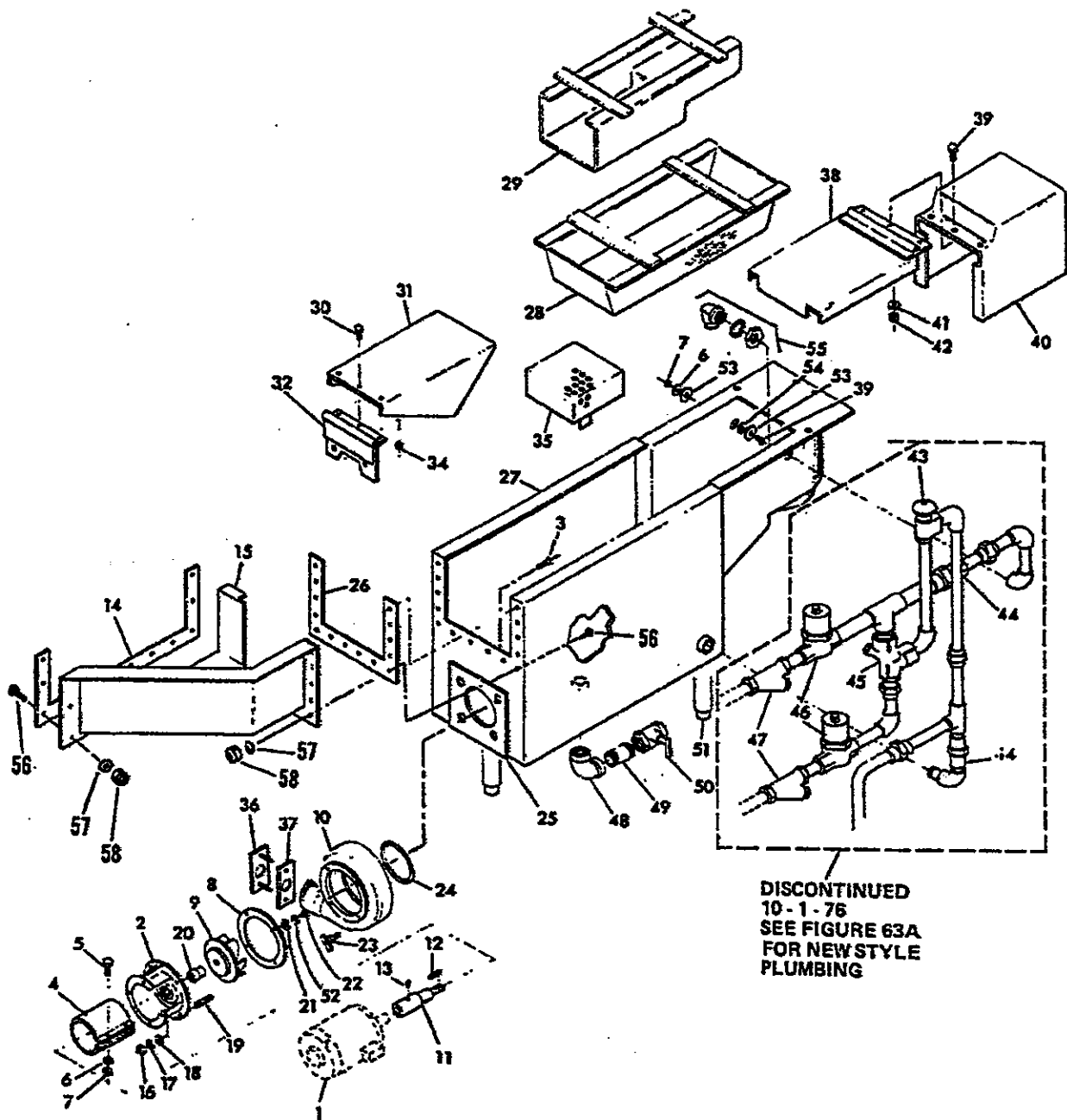


FIGURE 33. PART. 1 FLUSHVEYOR

ITEM NO.	PART NO.	DESCRIPTION	QTY. RECD.
1	W-1-8246	MOTOR ASSY 1 H.P. 115/230 V, 1 PHASE, 60 CY.	
1	W-1-8247	MOTOR ASSY 1 H.P. 208/220/440 V., 3 PHASE, 60 CY.	1
2	W-4-4994	BRACKET	1
3	W-1-7112	3/8-16 x 1-1/8" S.S. HEX HD MACH. SCREW	4

ITEM NO.	PART NO.	DESCRIPTION	QTY. REQD.
4	W-1-16566	PUMP BRACKET COVER	1
5	W-1-8434	1/4-20 x 1" S.S. RD. HD. MACH. SCREW	2
6	W-1-7007	1/4" S.S. SPLIT LOCKWASHER	3
7	W-1-7146	1/4-20 S.S. HEX NUT	3
8	W-1-5871	GASKET	1
9	W-3-2252	IMPELLER	1
10	W-4-13380	PUMP CASE	1
10A	W-4-18231	PUMP CASE - STAINLESS STEEL - OPTIONAL	1
11	W-1-17514	SPINDLE FOR IMPELLER	1
12	M-1-1658	3/16 SQ. x 3/4" LG. KEY	1
13	W-1-7289	5/16 x 18 NYLOCK SETSCREW	2
14	W-2-17512	TROUGH ATTACHMENT GASKET	1
15	W-0-17518	TROUGH ATTACHMENT ASSY R.H. (Shown)	1
15A	W-0-17519	TROUGH ATTACHMENT ASSY L.H. (Not Shown)	1
16	W-1-7115	3/16-16 HEX NUT	4
17	W-1-5994	3/8 SPLIT LOCKWASHER	8
18	W-1-8523	SEALING WASHER	4
19	W-1-7113	3/8-16 x 1 1/2" LG. STUD	4
20	W-2-2255	SHAFT SEAL, BELLOWS TYPE 6A-1	1
21	W-1-5587	FLAT WASHER S/S	1
22	W-1-7621	5/16-18 x 3/4" LG. HEX HD. CAPSCREW	1
23	W-1-7942	1/4" N.P.T. Pipe Plug	1
24	W-0-14389	QUAD-X-BRAND SEAL	1
25	W-1-16441	PUMP SPACER	1
26	W-2-17513	GASKET	1
27	W-3-16468	BODY WELDMENT	1
28	W-2-16460	SAFETY SCREEN ASSEMBLY	1
29	W-2-16463	TROUGH BASKET ASSEMBLY	1
30	W-1-5987	10-24 x 1/2" TRUSS HD SCREW	3
31	W-1-16445	PUMP HOOD	1
32	W-1-16444	PUMP HOOD MOUNT	1
33		DELETED	3
34	W-1-5989	10-24 ELASTIC STOP NUT	3
35	W-1-16743	DRAIN SCREEN	1
36	W-1-16684	1 1/2" N.P.T. PIPE ADAPTOR	1
37	W-1-7627	GASKET	1
38	W-2-16586	COVER ASSY	1
39	W-1-8491	1/4-20 x 5/8" LG. S.S. SLOTTED TRUSS HD. M.S.	11
40	W-3-16765	DRIVE COVER ASSY	1
41	W-1-7007	1/4" S.S. SPLIT LOCKWASHER	10
42	W-1-7146	1/4-20 S.S. HEX NUT	8
43	W-1-5912	VACUUM BREAKER	1
44	W-0-16775	FLOW CONTROL VALVE 5 GPM	2
45	W-0-17714	3/4" TEMPERING VALVE, N.P.T.	1
45A	W-0-18054	3/4" TEMPERING VALVE, SWEAT (USED AFTER 2-1-75)	1
45B	W-0-18143	REPLACEMENT THERMOSTAT & SPRING FOR WATTS TEMPERING VALVE	1
46	W-1-12488	SOLENOID VALVE ASSEMBLY	2
47	W-1-7026	STRAINER 3/4" N.P.T.	2
47A	W-1-13385	SCREEN ONLY - FOR STRAINER	2
48	W-1-13932	1 1/2" x 90° GALV. ELBOW	1
49	W-1-13019	1 1/2" N.P.T. x 2 1/2" LG. GALV. NIPPLE	1
50	W-0-16911	1 1/2" BALL VALVE	1
51	W-1-17458	LEG W/ADJ. FOOT (MODEL "L")	3
51A	W-1-17457	LEG W/ADJ. FOOT (MODEL "S")	3
52	W-1-5996	LOCKWASHER 5/16" SPLIT	2
53	I-5587	S.S. FLAT WASHER 11/32" x 1 1/4" O. DIA.	1
54	W-1-9859	S.S. FLAT WASHER 5/16" x 7/8" O. DIA.	1
55	W-0-14336	TROUGH INLET FITTING	1
56	W-1-5960	3/8-16 x 3/4" PAN HD SCREW S/S	A/R
57	W-1-7524	3/8" LOCKWASHER S/S	A/R
58	W-1-5998	3/8-16 HEX NUT S/S	A/R

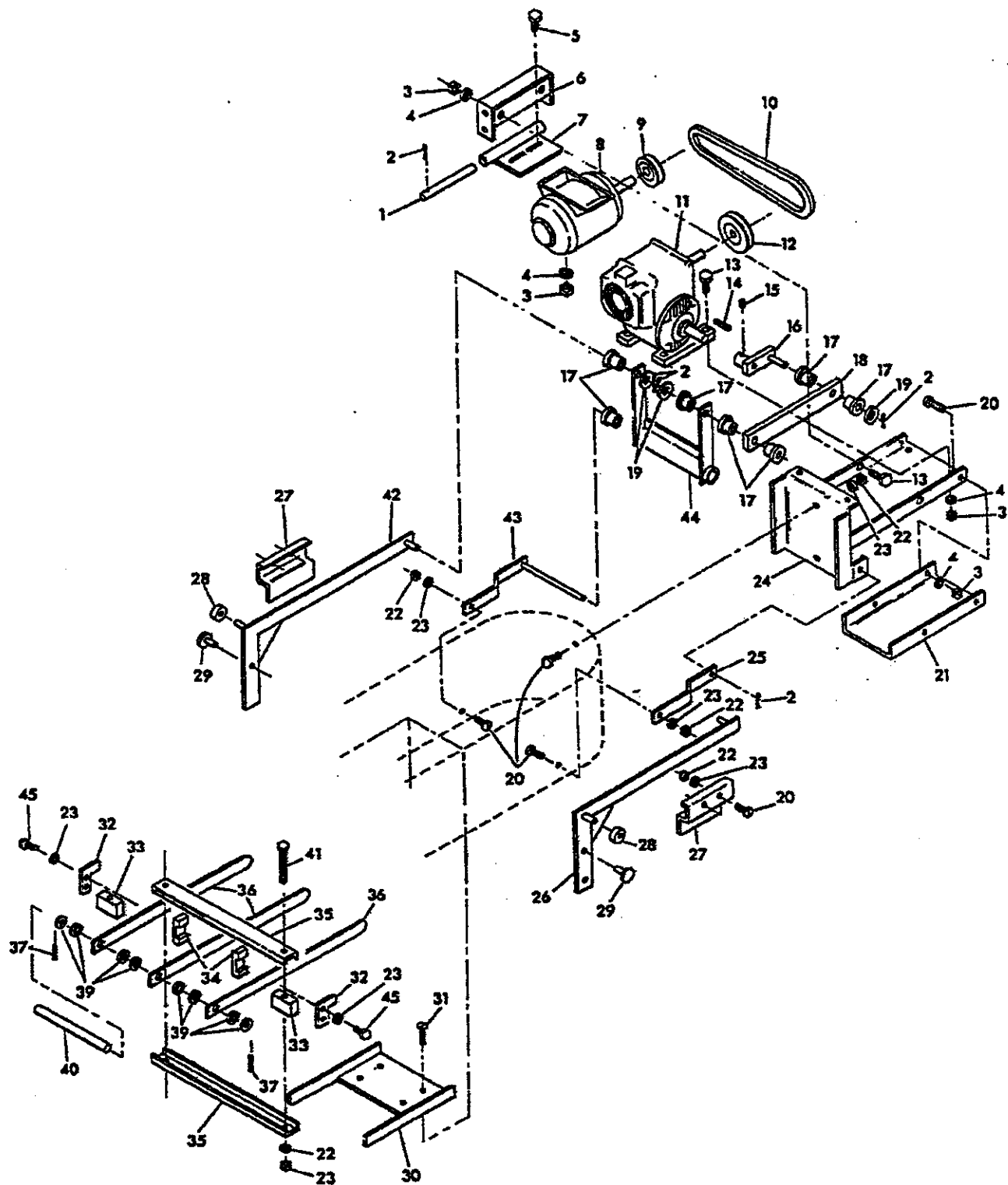


FIGURE 34. PART. 2 FLUSHVEYOR

ITEM NO.	PART NO.	DESCRIPTION	QTY. REQD.
1	W-1-14944	MOTOR PIVOT SHAFT	1
2	W-1-7195	3/32 DIA. x 3/4" LG. S/S COTTER PIN	5
3	W-1-12574	5/16-18 HEX NUT S/S	12
4	W-1-7598	5/16" SPLIT LOCKWASHER	12
5	W-0-14099	5/16-18 x 3/4" SQ. CARRIAGE BOLT	2
6	W-2-16581	MOTOR SUPPORT	1
7	W-1-14945	MOTOR MOUNT WELDMENT	1
8	W-1-10275	1/4 H.P. DRIVE MOTOR 115/230 V., 1 PHASE, 60 CY.	1
8A	W-1-10296	1/4 H.P. DRIVE MOTOR 208-220/440 V., 3 PHASE, 60 CY.	1
9	W-0-16791	"V" PULLEY 2.1" P. DIA. - 2.4" O. DIA. x 1/2" BORE	1
10	W-1-11332	"V" BELT - 24" I.L. x 26" O.L. x 1/2" TOP WIDTH	1
11	W-1-12401	GEAR REDUCER 60:1	1
12	W-1-10982	"V" PULLEY 3.7 P. DIA. - 4.0 DIA. - 5/8" BORE	1
13	W-1-7621	5/16-18 x 3/4" LG. HEX HD. MACH. SCREW S/S	10
14	M-1-1559	3/16 x 1" SQ. KEY	1
15	W-1-7521	10-24 x 1/4" LG. SETSCREW CUP POINT	1
16	W-2-16582	CRANK WELDMENT	1
17	W-0-16554	OILITE FLANGE BEARING 1/2" I.D. x 3/4" O.D. x 1/2" LG.	8
18	W-1-16761	CONNECTING LINK	1
19	W-1-15151	17/32 I.D. x 1-1/16" O.D. x 3/32" THK. STL. WASHER	5
20	W-1-8491	1/4-20 x 5/8" LG. SLOTTED TRUSS HD. MACH. SCREW S/S	10
21	W-1-16574	COVER SUPPORT	1
22	W-1-7146	1/4-20 HEX NUT S/S	10
23	W-1-7007	1/4" SPLIT LOCKWASHER S/S	12
24	W-3-16764	DRIVE MOUNT WELDMENT	1
25	W-1-16763	PIVOT STIFFENER	1
26	W-2-16757	R.H. DRIVE ARM WELDMENT	1
27	W-1-16567	SIDE TRACK	2
28	W-1-14863	NYLON ROLLER	2
29	W-1-16565	DRIVE ARM BUMPER	2
30	W-2-16585	GRID FRONT SUPPORT WELDMENT	1
31	W-1-12608	1/4-20 x 3/4" FLAT HD. SCREW	4
32	W-1-16449	GRID GUIDE STOP	2
33	W-1-16772	GRID GUIDE END TIE	2
34	W-1-16450	GRID KNIFE GUIDE	33
35	W-1-16469	GRID GUIDE SUPPORT	2
36	W-1-16446	GRID KNIFE	32
37	W-0-14117	1/8 DIA. x 3/4" LG. S/S ROLL PIN	2
39	W-1-7095	13/32 I.D. x 13/16 O.D. #16 GA. S/S FLAT WASHER	78
40	W-1-16448	GRID REAR TIE	1
41	W-1-7145	1/4-20 x 2 1/4" LG. S/S HEX HD. MACH. SCREW	2
42	W-2-16758	L.H. DRIVE ARM WELDMENT	1
43	W-1-16762	ARM TIE PIVOT SHAFT WELDMENT	1
44	W-2-16580	DRIVE ARM TIE WELDMENT	1
45	W-1-7118	1/4-20 x 1/2" LG. S.S. HEX HD. MACH. SCREW	2

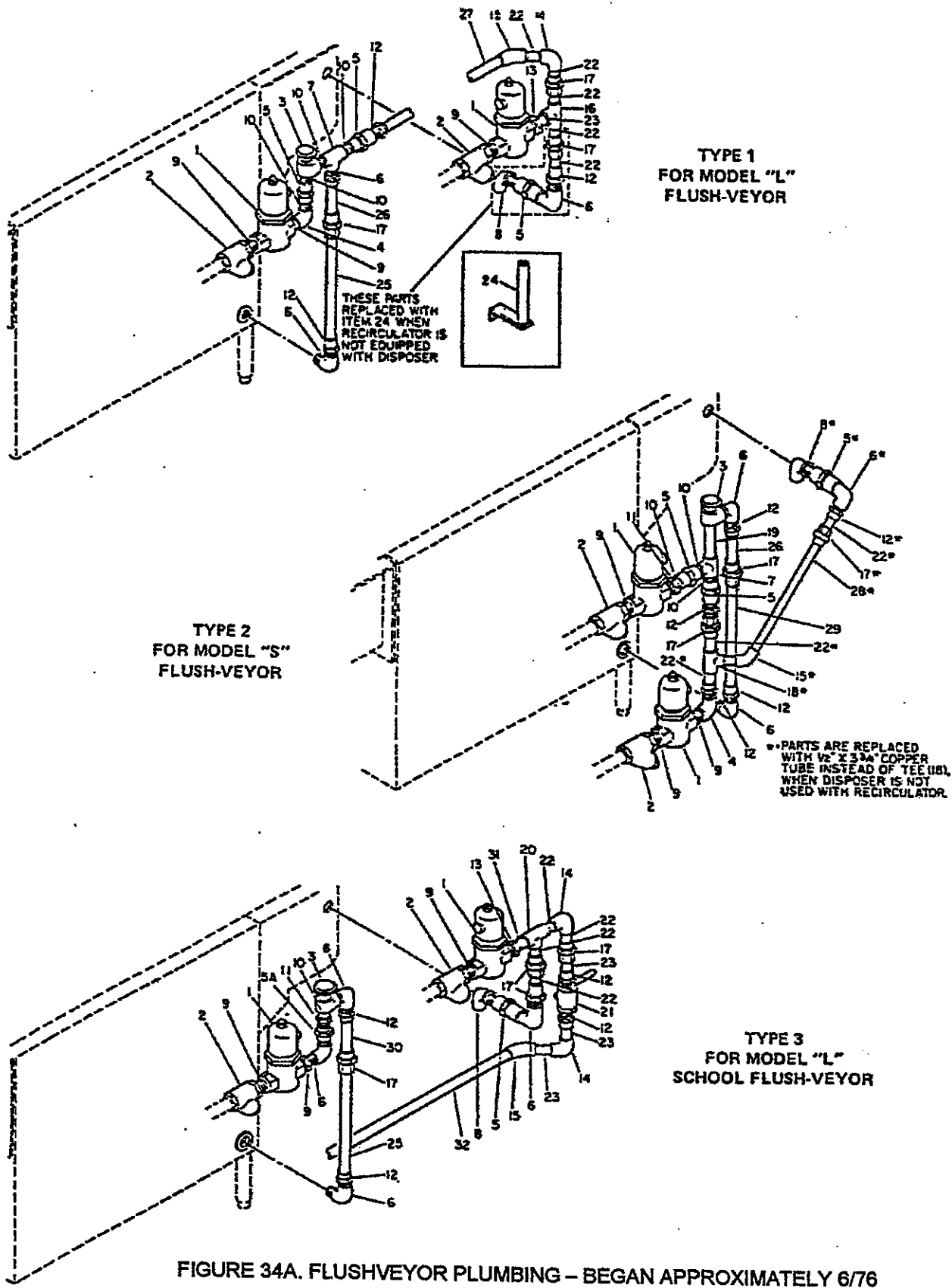


FIGURE 34A. FLUSHVEYOR PLUMBING - BEGAN APPROXIMATELY 6/76

ITEM NO.	PART NO.	DESCRIPTION	QTY. REQD.		
			TYPE 1	TYPE 2	TYPE 3
1	W-1-12488	SOLENOID VALVE - 115V. 3/4" N.P.T. FEM.			
2	W-1-7026	STRAINER - 3/4" N.P.T. FEM.	2	2	2
3	W-1-5912	VACUUM BREAKER 1/2" N.P.T. FEM.	2	2	2
4	W-1-11065	REDUCING ELBOW, 90° - 3/4" TO 1/2" BRASS	1	1	1
5	W-0-18564	FLOW CONTROL VALVE - 4 G.P.M., 1/2" N.P.T. FEM.	1	1	0
5A	W-0-16775	FLOW CONTROL VALVE - 5 G.P.M., 3/4" N.P.T. FEM.	3	3	1
6	W-1-7034	90° STREET ELBOW, 1/2" N.P.T. BRASS	0	0	1
7	W-1-10726	TEE, 1/2" N.P.T. BRASS	2	3	3
8	W-0-14336	INLET FITTING, TROUGH 1/2" N.P.T. MALE	1	1	0
9	W-1-7509	CLOSE NIPPLE, 3/4" N.P.T. BRASS	1	1	1
10	W-1-7031	CLOSE NIPPLE, 1/2" N.P.T. BRASS	3	3	4
11	W-1-8453	REDUCER BUSHING 3/4" TO 1/2" N.P.T.	4	3	1
12	W-0-18236	FITTING, 1/2" COPPER TUBE TO 1/2" N.P.T. MALE	0	1	1
13	W-0-18234	FITTING, 3/4" COPPER TUBE TO 3/4" N.P.T. MALE	4	5	5
14	W-0-18243	90° ELBOW, 1/2" COPPER TUBE	1	0	1
15	W-0-18611	45° ELBOW, 1/2" COPPER TUBE	1	0	2
16	W-0-18607	TEE, 1/2" x 1/2" x 3/4" COPPER TUBE	1	1	1
17	W-0-18239	UNION, 1/2" COPPER TUBE	1	0	0
18	W-0-18565	TEE, 1/2" COPPER TUBE	3	3	3
19		NIPPLE, 1/2" N.P.T. x 4-1/2" LG. BRASS	0	1	0
20	W-0-18608	TEE, 3/4" x 1/2" x 1/2" COPPER TUBE	0	1	0
21	W-0-16019	BALL VALVE, 1/2" N.P.T. FEM.	0	0	1
22		1/2" I.D. x 1-1/2" LG. COPPER TUBE	0	0	1
23		1/2" I.D. x 2" LG. COPPER TUBE	5	5	4
24	W-1-12013	TUBE BRACKET	1	0	3
25		1/2" I.D. x 16-1/2" LG. COPPER TUBE	AR	0	0
26		1/2" I.D. x 5-1/4" LG. COPPER TUBE	1	0	1
27		1/2" I.D. x 6-1/2" LG. COPPER TUBE	1	1	0
28		1/2" I.D. x 13-1/4" LG. COPPER TUBE	1	0	0
29		1/2" I.D. x 8-1/2" LG. COPPER TUBE	0	1	0
30		1/2" I.D. x 6-3/8" LG. COPPER TUBE	0	1	0
31		3/4" I.D. x 2" LG. COPPER TUBE	0	0	1
32		1/2" I.D. x LENGTH AS REQD, COPPER TUBE	0	0	1

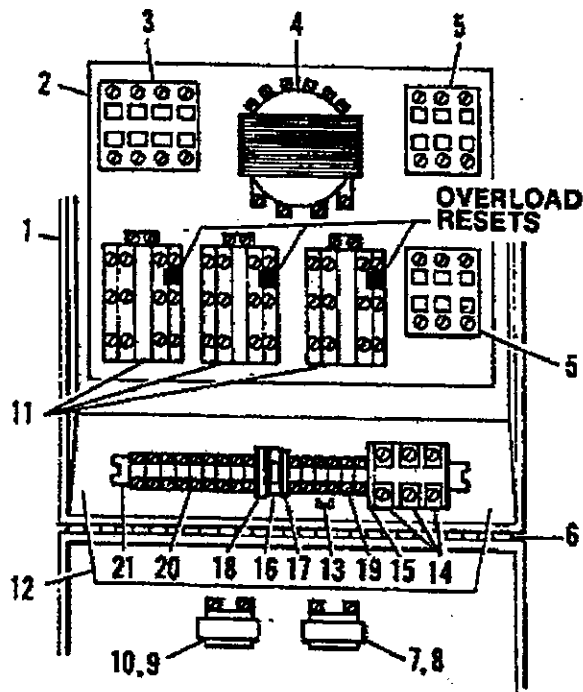


FIGURE 35. FLUSHVEYOR STD. CONTROL BOX

ITEM NO.	PART NO.	DESCRIPTION	QTY. RECD.
1	W-0-16787	CONTROL BOX	1
2	W-2-16786	CHASSIS PANEL	1
3	W-0-16778	CONTACTOR, 4 POLE, 40 AMP. 7½ H.P.	1
4	W-1-7201	TRANSFORMER 0.150 K.V.A.	1
4A	W-0-18960	TRANSFORMER 0.150 K.V.A. - 415V PRIMARY - EXPORT ONLY	1
5	W-1-7209	CONTACTOR, 3 POLE, 25 AMP. 3 H.P.	2
6	W-0-16780	CONTINUOUS HINGE "CH"	1
7	W-1-7204	"STOP" PUSHBUTTON	1
8	W-1-7206	CONTACT BLOCK (Normally Closed)	1
9	W-1-7203	"START" PUSHBUTTON	1
10	W-1-7205	CONTACT BLOCK (Normally Open)	1
11	W-0-14608	OVERLOAD RELAY, 3 POLE, 25 AMP.	3
12	W-2-16784	TERMINAL BLOCK ASSY (Includes item 13 thru 21)	1
13	W-0-15873	JUMPER - PLUG IN	1
14	W-0-16782	TERMINAL BLOCK	3
15	W-0-16783	END BARRIER (for "CE2" Block)	1
16	W-0-16779	FUSE - 1 AMP. SLO-BLO	1
17	W-0-15800	FUSE HOLDER	1
18	W-0-15797	END BARRIER (for "CA" Block)	1
19	W-0-15798	TERMINAL BLOCK - 300 V.	7
20	W-0-15795	TERMINAL BLOCK - 600 V.	9
21	W-1-16785	MOUNTING CHANNEL	1
	W-1-17469	L.H. MOUNTING BRACKET Not	A/R
	W-1-17458	R.H. MOUNTING BRACKET Illust.	A/R

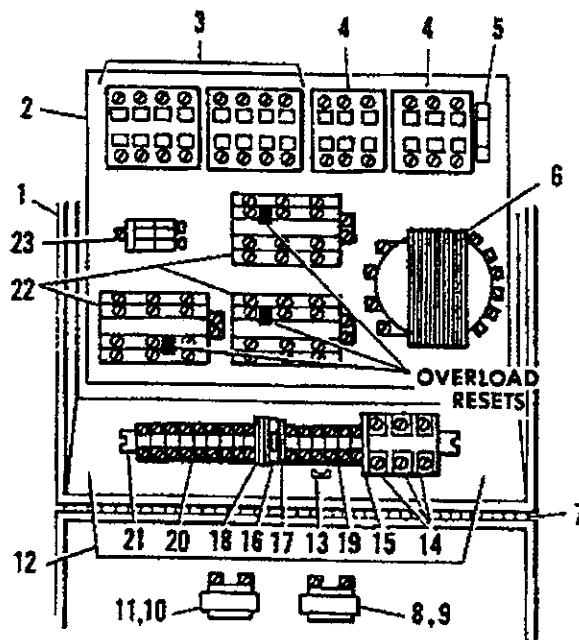


FIGURE 36. FLUSHVEYOR BI-DIRECTIONAL DISPOSER CONTROL BOX

ITEM NO.	PART NO.	DESCRIPTION	QTY. RECD.
1	W-3-16787	CONTROL BOX	1
2	W-2-17468	CHASSIS PANEL	1
3	W-0-16899	REVERSING CONTACTOR (Includes both forward and reverse contactors)	1
4	W-1-7209	CONTACTOR, 3 POLE, 25 AMP., 3 H.P.	2
5	W-0-16896	AUX. CONTACTOR, 2 POLE, N.O. & N.C.	1
5A	W-1-12556	AUX. CONTACTOR, 1 POLE, N.O. (AS OF 5-1-75)	1
6	W-1-7201	TRANSFORMER 0.150 K.V.A.	1
6A	W-0-18960	TRANSFORMER 0.150 K.V.A. - 415V PRIMARY - EXPORT ONLY	1
7	W-0-16780	CONTINUOUS HINGE "CH"	1
8	W-1-7204	"STOP" PUSHBUTTON	1
9	W-1-7206	CONTACT BLOCK (Normally Closed)	1
10	W-1-7203	"START" PUSHBUTTON	1
11	W-1-7205	CONTACT BLOCK (Normally Open)	1
12	W-2-16784	TERMINAL BLOCK ASSY (Includes item 13 thru 21)	1
13	W-0-15873	JUMPER - PLUG IN	1
14	W-0-16782	TERMINAL BLOCK	3
15	W-0-16783	END BARRIER (for "CE2" Block)	1
16	W-0-16779	FUSE - 1 AMP. SLO-BLO	1
17	W-0-15800	FUSE HOLDER	1
18	W-0-15797	END BARRIER (for "CA" Block)	1
19	W-0-15796	TERMINAL BLOCK - 300V	7
20	W-0-15795	TERMINAL BLOCK - 600V	9
21	W-1-16785	MOUNTING CHANNEL	1
22	W-0-14608	OVERLOAD RELAY, 3 POLE, 25 AMP.	3
23	W-0-16894	RELAY ALTERNATOR (S.P.D.T.)	1
	W-1-17469	L.H. MOUNTING BRACKET Not	A/R
	W-1-17456	R.H. MOUNTING BRACKET Illust.	A/R

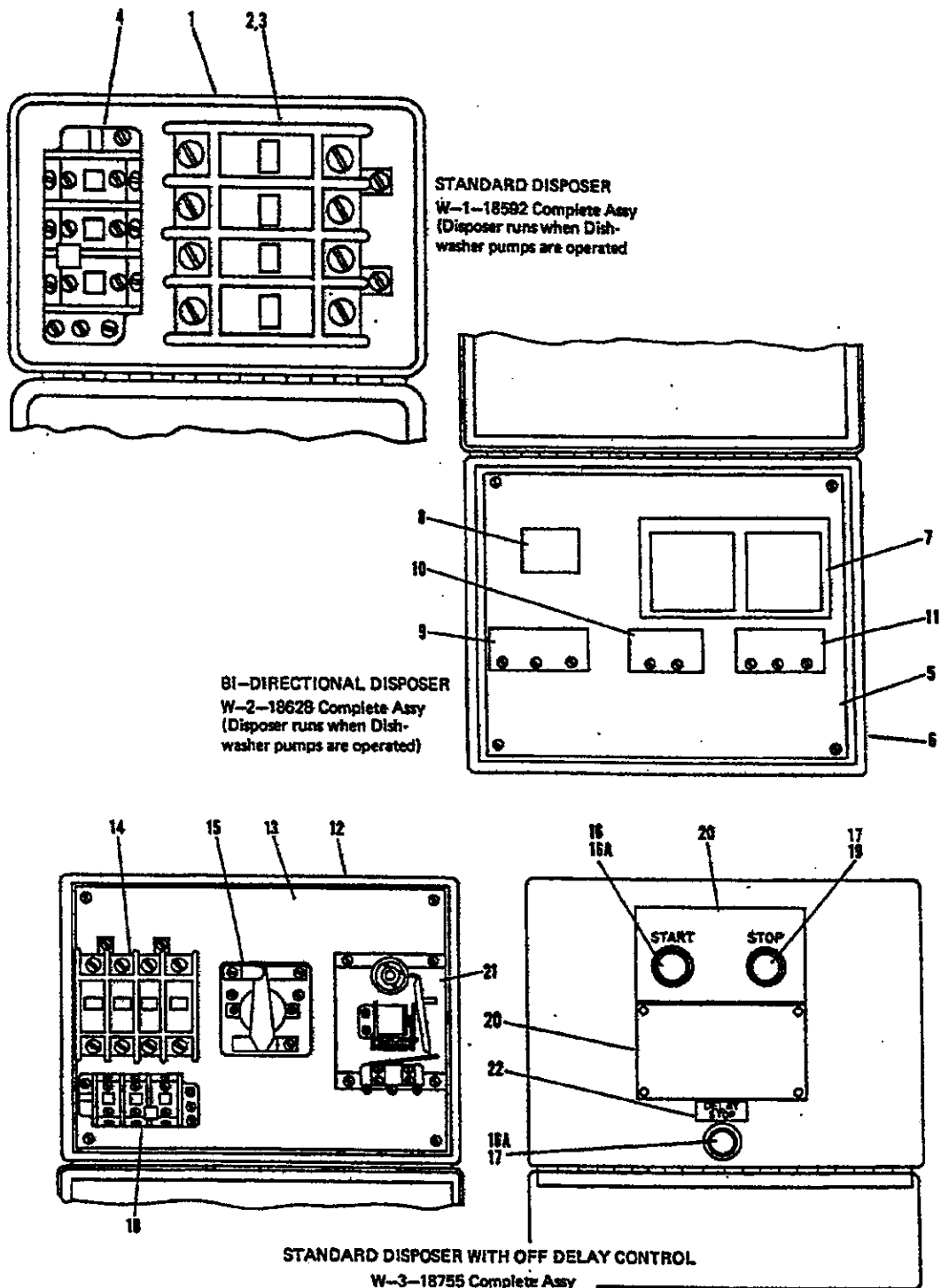


FIGURE 36A. ELECTRICAL CONTROLS FOR DISPOSERS USED ON MACHINES WITHOUT FLUSHVEYOR

ITEM NO.	PART NO.	DESCRIPTION	QTY. REQ.
1	W-1-18605	Enclosure	1
2	See fig.57	A & B O.L. Heater Element	1
3	W-0-16778	4 Pole Contactor 7.5 H.P.	3 (3 PH) 1 (1 PH)
4	W-0-14608	3 Pole Overload Relay	1
5	W-1-18629	Panel	1
6	W-0-16787	Enclosure	1
7	W-0-16899	Reversing Contactors	1
8	W-0-16894	Relay Alternator	1
9	W-0-14608	3 Pole Overload Relay	1
10	W-1-7966	Terminal Block	1
11	W-1-7234	Terminal Block	1
12	W-2-18754	Enclosure	1
13	W-0-16781	Panel	1
14	W-0-16778	4 Pole Contactor, 7.5 H.P.	1
15	W-1-13606	Relay S.P.D.T.	1
16	W-1-7203	"START" Pushbutton	1
16A	W-1-7205	Contact Block	2
17	W-1-7204	"STOP" Pushbutton	2
18	W-0-14608	3 Pole Overload Relay	1
19	W-1-7206	Contact Block	1
20	W-2-17454	Power Nameplate	1
21	W-1-9921	5.5 Minute Timer	1
22	W-1-18929	"Delay Stop" Decal	1

FIGURE 37. SCREW CONVEYOR TROUGH

ITEM NO.	PART NO.	DESCRIPTION	QTY REQ.
1	W-2-14286	Drive Enclosure	1
2	W-1-7108	1/4-20 x 1/4" Ig Rd Hd Mach.Screw	2
3	W-1-7007	1/4" Split Lockwasher	6
4 *	W-2-14284	Reducer Mtg Base Assy	1
4 A #	W-3-14284	Reducer Mtg Base Assy	1
5	W-1-12401	Gear Reducer 60:1	1
6	W-1-8067	5/16-18 x 1" Hex Hd Mach.Screw	2
7	W-1-7598	5/16" Split Lockwasher	4
8	W-1-12574	5/16-18 Hex Nut	4
9	W-0-14287	Spacer	2
10	W-0-14298	1/4-28 x 1-1/2" Ig Hex Hd Mach.Screw	2
11	W-0-14280	Thrust Bearing	2
12	W-1-14288	Drive Plate Assy	1
13	W-0-17782	3/16 x 1" Square Key	1
14	W-1-14289	Hub	1
15	W-0-17781	1/4-20 x 1/4" Setscrew S/S	2
16	W-2-11668	Spring Screw	1
17 *	W-3-16136	Trough Drip Tray	1
17A #	W-3-13007	Trough Drip Tray	1
18	W-1-11332	V-belt	1
19	W-1-10983	"V" Pulley, 3.5" P.D.	1
20 *	W-2-14285	Motor Mtg Bracket Assy	1
20A #	W-2-12071	Motor Mount Support	1
20B #	W-1-14945	Motor Mount	1
20C #	W-0-14099	5/16-18 x 3/4" Sq. Carriage Bolt	2
21	W-1-7906	Collar Set 3/8"	2
22	W-1-11623	Pivot Pin	1
22A #	W-1-14944	Motor Mount Shft	1
22B #	W-1-7195	3/32 Dia. x 3/4" Ig Cotter Pin S/S	2
23	W-1-16791	"V" Pulley 2.1" P.D.	1
24	W-1-13401	5/16-18 x 5/8" Ig Hex Hd Mach.Screw	2
25	W-0-14279	1/6 H.P. Electric Motor 115/230V 1 Phase	1
26	W-0-16756	Caution - 115 Volt Tag (Certain Models only)	1
27	W-1-9890	Beehive Strainer	1
28	W-1-8558	Drain Cup w/locknut & washer	1
	P-1-5292	Gasket (only)	A/R
29	W-0-17783	3/16 x 1 3/8" Sq.Key	1
30	W-0-18247	Motor Starting Switch & Enclosure - Less Overload Heater	1
31	W-1-12413	Motor Starting Switch Only (Less Enclosure, Less Overload Heater)	1
31A	W-0-18255	Overload Heater for 110V Motor (P. 172-1.75 Max. Amp)	1
31B	W-0-18256	Overload Heater for 230V Motor (P. 247 - 3.32 Mx. Amp)	1
32	W-2-18254	Switch Mounting Bracket	1
33	W-1-9677	1/4-20 x 3/4 Hex Hd. Machine Mounting Screw	2
34	W-1-7146	1/4-20 Hex.Nut S/S	2
35	W-1-7007	1/4 S/S Lock washer	2
36	W-3-18499	4 Ft. Trough for L to R Screw Conv.	1
36A	W-0-12501	4 Ft. Trough for R to L Screw Conv.	1
36B	W-0-12581	6 Ft. Trough for L to R Screw Conv.	1
36C	W-0-12524	6 Ft. Trough for R to L Screw Conv.	1
36D	W-0-12582	9 Ft. Trough for L to R Screw Conv.	1
36E	W-0-12573	9 Ft. Trough for R to L Screw Conv.	1
37	W-1-12058	Middle Bracket for L to R Screw Conv.	1
37A	W-1-12059	Middle Bracket for R to L Screw Conv.	1
38	W-1-18446	Bracket Assy.	1
39	W-1-13011	Mtg. Bracket for L to R Screw Conv.	1
39A	W-1-13012	Mtg. Bracket for R to L Screw Conv.	1

* These parts no longer available. When replacing any part marked (*), it is necessary to order all parts marked (#).

COMPLETE ASSEMBLIES (INCLUDES ALL PTS. SHOWN IN THIS FIG.)

- W-0-12589 4 FT. TROUGH — L to R Screw Conv.
- W-0-12583 4 FT. TROUGH — R to L Screw Conv.
- W-0-12590 6 FT. TROUGH — L to R Screw Conv.
- W-0-12584 6 FT. TROUGH — R to L Screw Conv.
- W-0-12592 9 FT. TROUGH — L to R Screw Conv.
- W-0-12587 9 FT. TROUGH — R to L Screw Conv.

W-3-18448 Assembly for Alternate Drive, Drip Tray & Switch Only

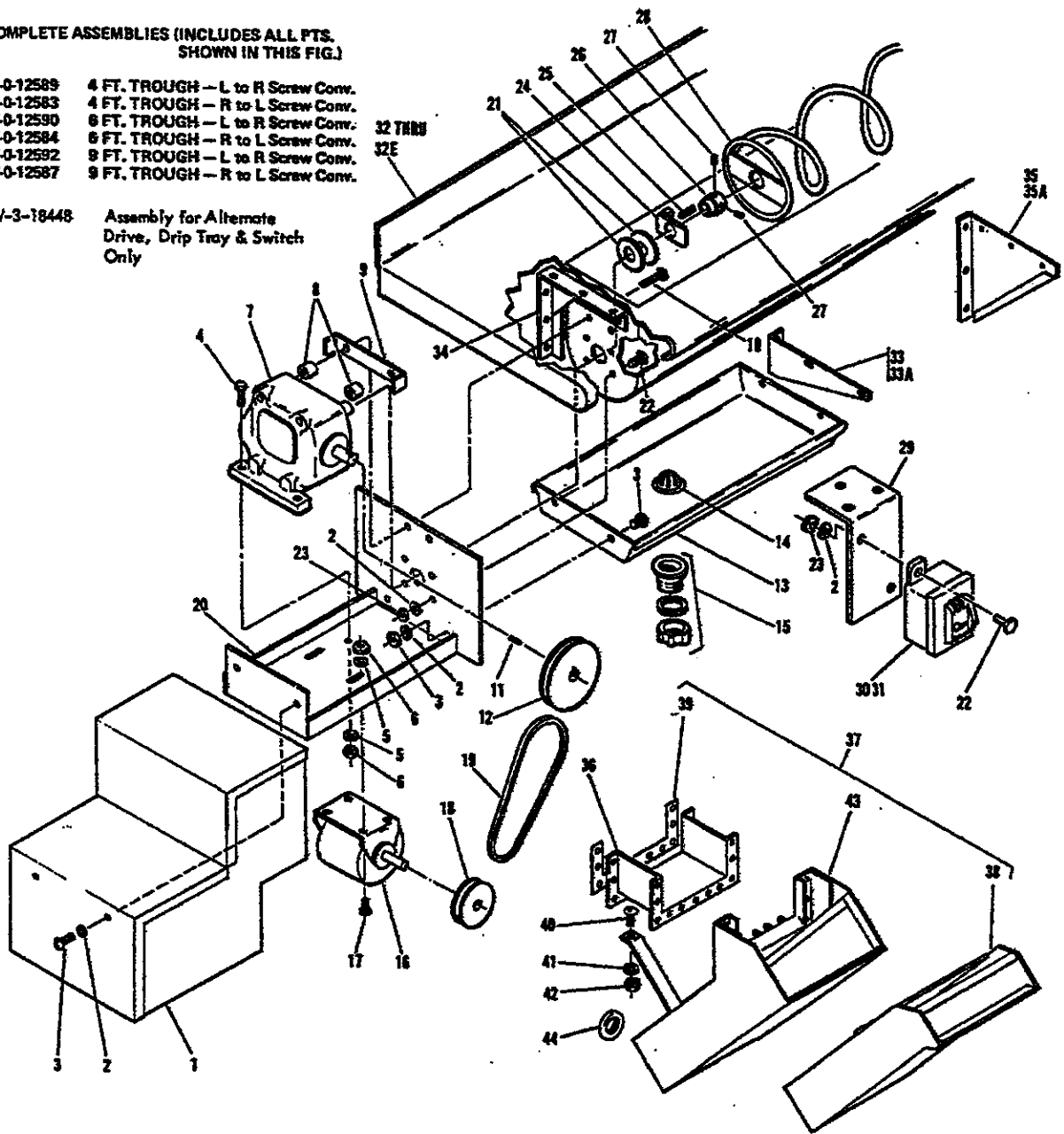


FIGURE 37A. ALTERNATE SCREW CONVEYOR AND TROUGH

ITEM NO.	PART NO.	DESCRIPTION	QTY. REQ.
1	W-3-13008	Drive Enclosure	1
2	W-1-7007	1/4" Split Lockwasher S/S	10
3	W-1-8491	1/4-20 x 5/8" Truss Hd. Screw S/S	4
4	W-1-8067	5/16-18 x 1" Hex Hd. Screw	2
5	W-1-7598	5/16" Split Lockwasher	6
6	W-1-12574	5/16-18 Hex Nut	6
7	W-1-12401	Gear Reducer 60:1	1
8	W-1-14517	3/4" Ig. Tubular Spacer S/S	2
9	W-1-12062	Enclosure Spacer	1
10	W-0-14298	1/4-28 x 1 1/2" Hex Hd Screw S/S	2
11	W-0-17783	3/16 x 1 3/8" Sq. Key	1
12	W-1-10983	"V" Pulley - 3.5 P.D.	1
13	W-3-13007	Drip Tray	1
14	W-1-9890	Beehive Strainer	1
15	W-1-8558	Drain Cup w/locknut & washer	1
	P-1-5292	Gasket (only)	A/R
16	W-0-14279	1/6 H.P. Electric Motor 115V/230V, 1 Ph	1
17	W-0-14099	5/16-18 x 3/8" Sq. Carriage Bolt	4
18	W-1-16791	"V" Pulley - 2.1 P.D.	1
19	W-0-16908	"V" Belt	1
20	W-3-13006	Drive Mount Assy	1
21	W-0-14280	Thrust Bearing	2
22	W-1-9677	1/4-20 x 3/4" Hex Hd Screw S/S	6
23	W-1-7146	1/4-20 Hex Nut S/S	8
24	W-1-14288	Drive Plate Weldment	1
25	W-0-17782	3/16 x 1" Sq. Key	1
26	W-1-14289	Hub	1
27	W-0-17781	1/4-20 x 1/4" Setscrew S/S	2
28	W-2-11668	Spring Screw	1
29	W-2-18254	Switch Mtg Bracket	1
30	W-0-18247	Motor Starting Switch & Enclosure (Less over load heater)	1
31	W-1-12413	Motor Starting Switch Only (less enclosure, less overload heater)	1
31A	W-0-18255	Overload Heater for 110V Motor (P.172-1.75 Max.Amp)	1
31B	W-0-18256	Overload Heater for 230V Motor (P.247 - 3.32 Max.Amp)	1
32	W-3-18499	4 Ft. Trough for L to R Screw Conv.	1
32A	W-3-18496	4 Ft. Trough for R to L Screw Conv.	1
32B	W-3-18501	6 Ft. Trough for L to R Screw Conv.	1
32C	W-3-18497	6 Ft. Trough for R to L Screw Conv.	1
32D	W-3-18502	9 Ft. Trough for L to R Screw Conv.	1
32E	W-3-18498	9 Ft. Trough for R to L Screw Conv.	1
33	W-1-12058	Middle Bracket for L to R Screw Conv.	1
33A	W-1-12059	Middle Bracket for R to L Screw Conv.	1
34	W-1-18446	Bracket Assy.	1
35	W-1-13011	Mtg. Bracket for L to R Screw Conv.	1
35A	W-1-13012	Mtg. Bracket for R to L Screw Conv.	1
36	W-2-18478	7 1/2" Extension - Adapter	1
37	W-0-18479	Soil Accumulator Assy (includes items 38 thru 43)	1
38	W-3-18459	Soil Basket	1
39	W-2-17512	Gasket - between tank & accum.	2
40	W-1-8783	3/8-16 x 3/4" Ig. S/S Slotted Truss Hd Screw	6
41	W-1-7524	3/8" S/S Split Lockwasher	11
42	W-1-5998	3/8-16" S/S Hex Nut.	11
43	W-3-18469	Soil Basket Housing	1
44	W-0-18201	Slip Nut for 1-1/2" O.D. Tube (part of item 43)	1

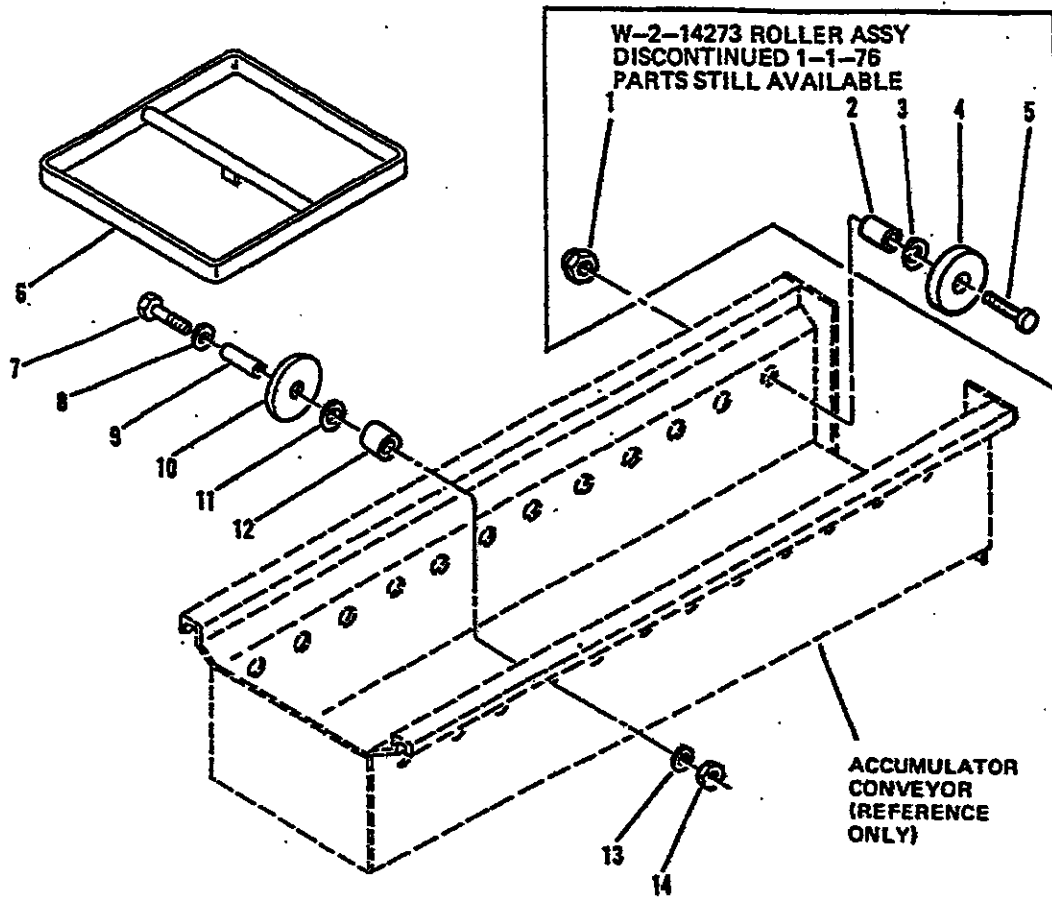


FIGURE 38. ACCUMULATOR TROUGH

W-2-14273 Roller Assembly - Discontinued 1-1-76)
 W-2-18526 Roller Assembly - From 1-1-76)

Assemblies are interchangeable
 on some accumulator conveyors

ITEM NO.	PART NO.	DESCRIPTION	QTY REQ.
1	W-1-7093	Nut)	A/R
2	W-1-14627	Spacer)	A/R
3	W-1-9859	Washer)	A/R
4	W-1-14626	Roller) W-2-14273 Assy.	A/R
5	W-1-5846	Shoulder Screw)	A/R
6	W-2-17548	Tray Support Assy	A/R
7	W-1-12607	1/4-20 x 1 1/2" Lg. Hex Hd. Mach. Screw S/S	1
8	W-1-8622	17/64 I.D. x 11/16" O.D. Flat Washer S/S	1
9	W-0-15953	3/8 O.D. x 1" lg. Tube	1
10	W-1-18524	Accumulator Conveyor Roller	1
11	W-1-7095	13/32 I.D. x 13/16" O.D. Flat Washer S/S	1
12	W-1-12147	Spacer	1
13	W-1-7007	1/4" Split Lockwasher S/S	1
14	W-1-7146	1/4-20 Hex Nut S/S	1

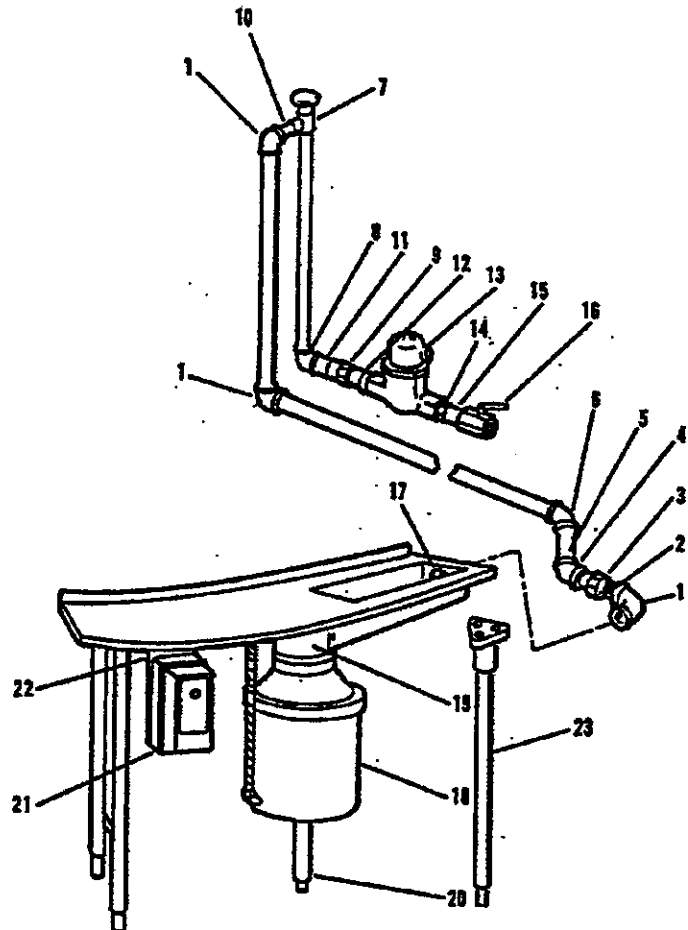


FIGURE 39. DISPOSER AND TROUGH (Special Factory Design)

ITEM NO.	PART NO.	DESCRIPTION	QTY REQ.
1	W-1-7517	1/2" Elbow 90°, Brass	3
2	W-1-10725	1/2" Close Nipple, Brass	1
3	W-1-12985	1/2" Union, Brass	1
4	W-1-12495	1/2" Street El, Brass	1
5	W-1-7516	1/2" x 4" lg Nipple, Brass	1
6	W-1-17964	1/2" x 45° Elbow	1
7	W-1-5912-1	1/2" Vacuum Breaker	1
8	W-1-11065	1/2" x 3/4" x 90° Elbow, Brass	1
9	W-0-17721	3/4" Flow Control Valve 8 GPM	1
10	W-0-14501	1/2" x 2" lg. Nipple, Brass	2
11	W-1-13607	3/4" x 2" lg. Nipple, Brass	1
12	W-0-14250	3/4" x 1-1/2" lg. Nipple, Brass	1
13	W-0-18228	3/4" Solenoid Valve 115/230 V Coil	1
	W-0-18258	3/4" Solenoid Valve -Coil Only- 115/208-230V	1
14	W-1-8453	3/4" to 1/2" Reducer Bushing, Brass	1
15	W-1-13600	1/2 x 1-1/2" lg. Nipple, Brass	1
16	W-0-16019	1/2" Ball Fill Valve	1
17	W-0-14336	Trough Inlet Fitting	1
18	W-0-15970	Disposer	1
19	W-0-15971	Adapter Collar	1
20	W-0-17594	Leg Support	1
21	W-0-15966	Manual Start Switch	1
22	W-2-17619	Switch Mtg Bracket	1
23	W-1-18536	Auxiliary Leg for Field Installation Landing Shelf Only	1

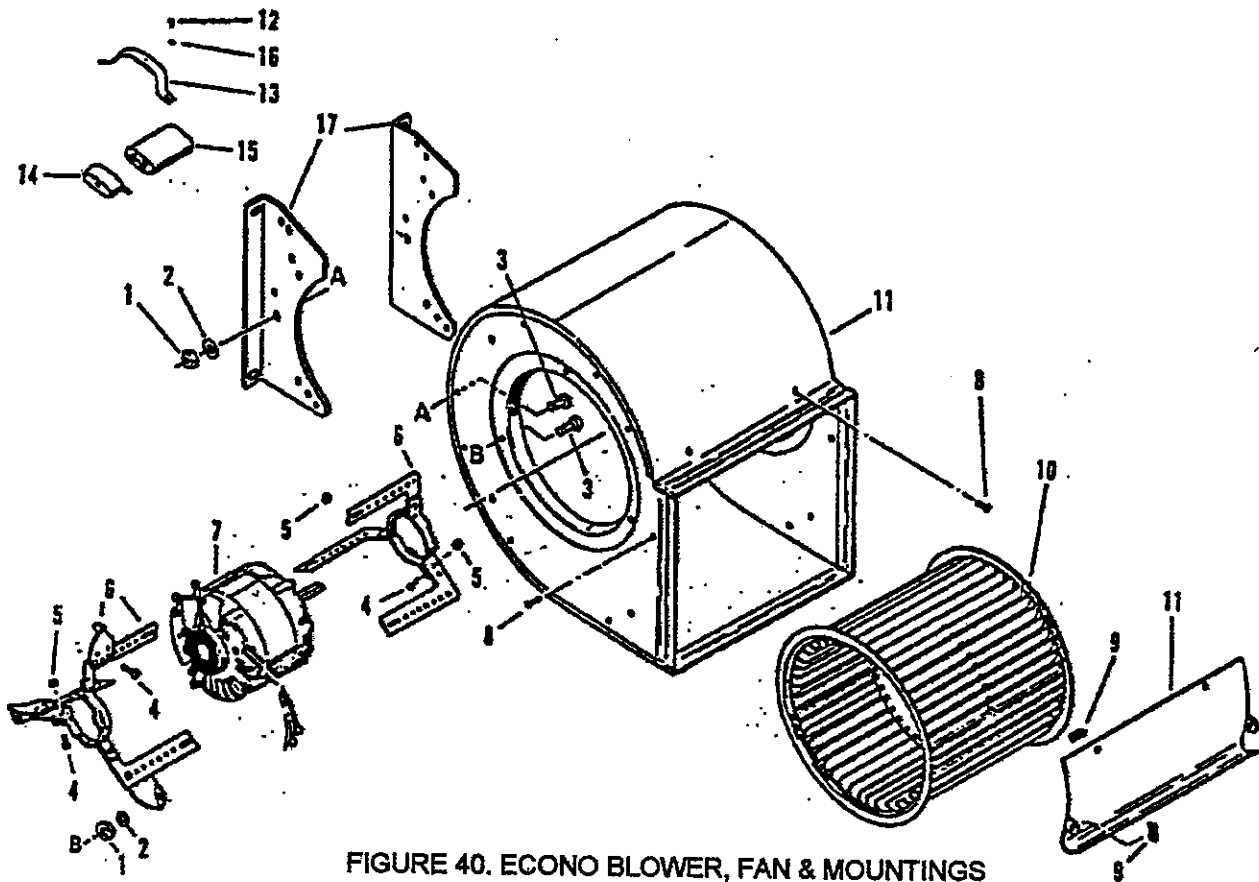


FIGURE 40. ECONO BLOWER, FAN & MOUNTINGS

ITEM NO.	PART NO.	DESCRIPTION	QTY REQ.
1	W-1-7146	Hex Nut 1/4-20	6
2	W-1-7007	Lockwasher 1/4"	6
3	W-1-9677	1/4-20 x 3/4" Hex Hd Mach.Screw	6
4	W-1-8131 -	10-32 x 1/2" Rd Hd Mach.Screw S/S	2
5	W-0-17968	10-32 Spinlock Nut	2
6	W-0-17969	Motor Bracket (Includes items 4 & 5) (115 Volt)	1
6A	W-0-17970	Motor Bracket (Includes items 4 & 5) (230 Volt)	1
7	W-0-17971	3/4 H.P., 115V, 60 Cy., 1 Ph, Motor	A/R
7A	W-0-17972	3/4 H.P., 230V, 60 Cy., 1 Ph Motor	A/R
7B	W-0-20485	3/4 HP, 480V, 60 Cy., 1 Ph Motor	A/R
7C	W-0-18505	3/4 HP, 230V, 50 Cy., 1 Ph Motor - Special Order	A/R
7D	W-0-18710	3/4 HP, 115V, 50 Cy., 1 Ph Motor - Special Order	A/R
8	W-0-17973	#8 Sheet Metal Screw Type AB	4
9	W-0-17974	Speed Nut	4
10	W-0-17975	Blower Wheel (115 Volt)	1
10A	W-0-17976	Blower Wheel (230 Volt)	1
11	W-0-17977	Housing Blower & Cut-Off (115 Volt)	1
11A	W-0-17978	Housing Blower & Cut-Off (230 Volt)	1
12	W-0-17979	6-32 x 1" lg. Binder Hd Mach.Screw	2
13	W-0-17980	Capacitor Clamp	1
14	W-0-17981	Capacitor Boot	1
15	W-0-17982	Capacitor (115 Volt)	1
15A	W-0-17983	Capacitor (230 Volt)	1
15B	W-0-20493	Capacitor (460 Volt)	1
16	W-0-17984	#6 Plain Washer	2
17	W-0-17985	Blower Housing Support Spacer (115 Volt Motor)	2
17A	W-0-17986	Blower Housing Support Spacer (230 Volt Motor)	2

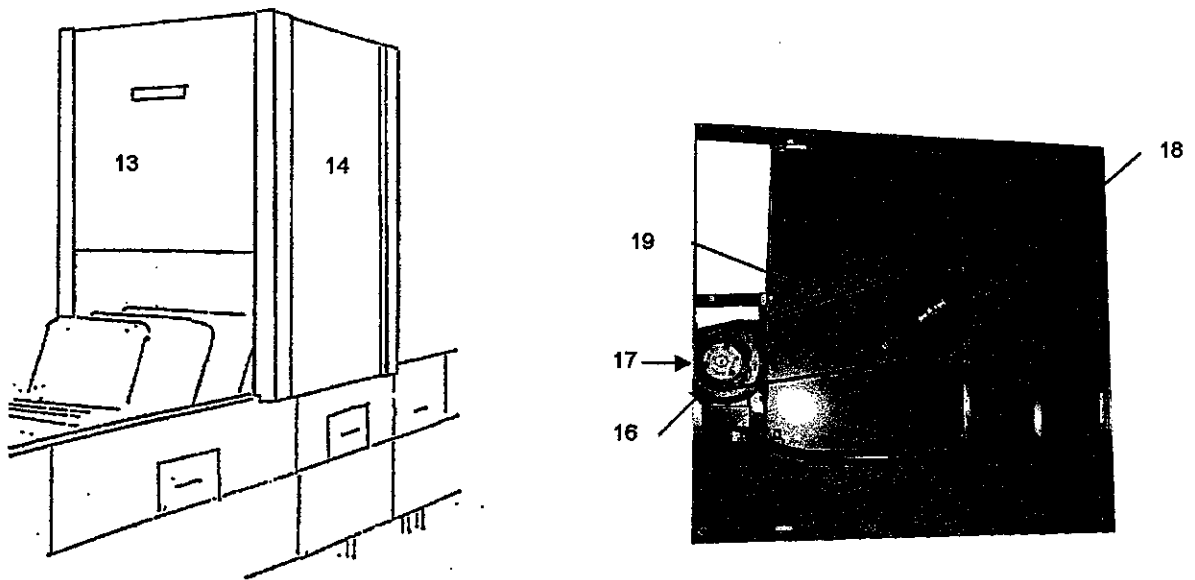


FIGURE 41.712 BLOWER DRYER

ITEM	PART No.		DESCRIPTION	QTY
	STANDARD	X-WIDE		
1	70343	70343	Blower	1
2	70301	70301	Column Frame Weldment	2
3	70354	70313	Main Duct Weldment	1
4	70356	70320	Top Frame Weldment	1
5	70365	70331	Control Box Support	1
6	70326	70326	Motor Mount Bracket	1
7	70330	70330	Motor Mount Pivot Rod	1
8	70360	70323	Nozzle Adj. Panel	1
9	70362	70325	Nozzle Duct Panel	1
10	70324	70324	Blower Shims 1/8"	2
11	71744	71744	Blower Shims 1/4"	2
12	70358	70310	Top Panel	1
13	70361	70311	End Panel	2
14	70312	70312	Side Panel	2
15	70309	70309	Internal Column Cover	4
16	15126	15126	Motor 2HP 220/440V 3PH	1
17	70336	70336	Sheave 6 Groove	1
18	70337	70337	* Sheave 6 Groove	1
19	70338	70338	* Poly V-Belt 6 Groove	1
20	77742	77742	Flange Ball Bearing	2
21	70363	70363	Bushing	1
22	70364	70364	Bushing	1
23	07210	07210	Contactora 60 Amp	1
24	07579	07579	Connector Liquid Tight 45 PCT	1
25	07580	07580	3/8" Connector 90	1
26	07583	07583	90 Elbow Sealtight	1
27	08836	08836	Sealtight Connector 1/2"	1
28	07590	07590	Conduit Liquid Tight per Foot 1/2"	10
29	07589	07589	Conduit Liquid Tight per Foot 3/8"	2
30	74114	74114	Ground Lug	1
31	74123	74123	Warning Label	1

Replace Belt & Sheave if Flange Ball Bearings are replaced

*	77696	77696	Sheave 6 Groove (Changed 1/24/06)	1
*	77697	77697	Poly V-Belt 6 Groove (Changed 1/24/06)	1

712 Blower Electric Heat

ITEM	PART No.		DESCRIPTION	QTY
	STANDARD	X-WIDE		
1	73250	73247	712 Blower Ass'y	1
2	71853	71854	Main Duct	1
3	71839	71840	Heater Frame Weldment	1
4	13569	13569	Enclosure 8 X 10	1
5	07210	07210	Contactora 60 Amp	1
6	20841	20841	Switch 250 High Limit Cut-off	1
7	18714	18714	3 KW Finned Heater 240 V	1*
8	20486	20486	3 KW Finned Heater 480 V	1*

*	18714	18714	(6) Heaters required for 16 KW (8) for 24KW
*	20486	20486	(6) Heaters required for 16 KW (8) for 24KW

712 Blower Steam Heat

ITEM	PART No.		DESCRIPTION	QTY
	STANDARD	X-WIDE		
1	73250	73247	712 Blower Ass'y	1
2	71697	71697	Pipe Cover Weldment	1
3	71920	71920	Spacer Clip	4
4	70769	70769	Heat Exchanger	1
5	13091	13091	¼-20 x ½ Weldstud	4
6	07012	07012	Hex Nut ¼-20	5
7	07587	07587	Clamp	4
8	08998	08998	Hex Head M.S. 10-24 x ½ S/S	4
9	11335	11335	Hex Head M.S. 10-24 x 1 ¼ S/S	4
10	07284	07284	Hex Nut 10-24 S/S	4
11	07026	07026	Strainer ¾ FPT	1
12	08453	08453	Reducer Bushing ¾-1/2 Brass	2
13	11946	11946	Reducer Bushing 1- ½ B.I.	2
14	11947	11947	Street EL ½ x 90 B.I.	2
15	11957	11957	Union ½ B.I.	3
16	11962	11962	Elbow ¾ x 90 B.I.	1
17	11968	11968	Union ¾ B.I.	1
18	12085	12085	¾ Solenoid Valve Steam	1
19	16877	16877	¾ Steam Trap	1
20	96530	96530	HRS ½ Pipe-STD Black	10

Basic Material List

Components for Wiring Diagram W-3- 75600

Item	Symbol	Part No.	QTY	Description	Remarks
1	CT			.300 KVH Control Transformer	
1	1CT	14440	1	Primary 208/230/460V. Secondary 115V	50/60 HZ
1	2CT	16793	1	Primary 380 V. Secondary 115V	50 HZ
1	3CT	18775	1	Primary 400 V. Secondary 115V	50 HZ
1	4CT	18742	1	Primary 415 V. Secondary 115V	50 HZ
2	1FUI	15790	1	Fuse 3.2 Amp Slo-Blow	115 V. Control
3	MC			Motor Contactor	
3	MC1	70192	1	3 Pole N.O. AUX	Conveyor
3	MC2	70192	1	3 Pole N.O. AUX	Wash Pump
3	MC3	70192	1	3 Pole N.O. AUX	Prewash Pump
3	MC4	70192	1	3 Pole N.O. AUX	Rinse Pump
3	MC5	70192	1	3 Pole N.O. AUX	712 Blower
4	OL			Three Pole Motor Overload Relay	1 per 70192 Contactor
	OL1	71597	A.R.	Amp Range .6 to 1	
	OL2	71598	A.R.	Amp Range 1 to 1.6	
	OL3	71599	A.R.	Amp Range 1.6 to 2.5	
	OL4	71600	A.R.	Amp Range 2.5 to 4	
	OL5	71601	A.R.	Amp Range 5.5 to 8	
	OL6	71602	A.R.	Amp Range 4 to 6	
	OL7	71603	A.R.	Amp Range 7 to 10	
	OL8	71604	A.R.	Amp Range 10 to 13	
	OL9	71605	A.R.	Amp Range 13 to 18	
	OL10	71606	A.R.	Amp Range 18 to 25	
5		16559	1	"Red" Light	Power On
5		16559	1	"Red" Light	Fill On
5		16559	1	"Red" Light	Heat On
5		16559	1	"Red" Light	Conveyor On
5		16559	1	"Red" Light	Rinse On
5		16559	1	"Red" Light	Pumps On
6	Sol		1	Solenoid Valve (water)	
6	Sol1	12488	1	Final Rinse Solenoid	
6	Sol2	12488	1	Rinse Tank Fill	
6	Sol3	12488	1	Wash Tank Fill	
6	Sol4	12488	1	Pre-wash Tank Fill	
6	(Opt)	72273	A.R.	Solenoid Valve With Manual Bypass	Sol 1 thru 4
		97276	2	Contact Block N.O.	
		97277	1	Contact Block N.C.	
7	SW1	72387	1	Power Switch On-Off	Use With 97276
8	SW2	14479	1	Toggle Switch On-Off	712 Blower Heat
9	LS1	7235	1	Limit Switch – Conveyor Overload	Flight & Flight A-Round
9	LS1	10039	1	Limit Switch (L to R)	Flight
9	LS1	14761	1	Limit Switch (R to L)	Flight
9	LS2	72836	1	Limit Switch – Door Safety	
9	LS3	7235	1	Limit Switch – Final Rinse	
9	LS4	10039	1	Limit Switch – Conveyor Stop	Flight
9	LS5	7235	1	Limit Switch – Automatic Start	

Item	Symbol	Part No.	QTY	Description	Remarks
10	LLS 1	18865	1	Float Switch – L.C. & L.W.C.O.	Rinse Tank
10	LLS 2	18865	1	Float Switch - L.C. & L.W.C.O.	Wash Tank
10	LLS 3	18865	1	Float Switch – Level Control	Prewash Tank
10	LLS 4	18865	1	Float Switch –Low water Cut-Off	Rinse Tank – Gas Only
10	LLS 5	18865	1	Float Switch –Level Control	Wash Tank – Gas Only
11	*CR-1	75452	1	Main Control Relay	Solid State
11	CR-2	75584	1	Switching Relay – Heat/Fill	Rinse Tank – DPDT
11	CR-3	75584	1	Switching Relay – Heat/Fill	Wash Tank - DPDT
12	CR4	75584	1	Relay for Automatic Cut-Off	DPDT
13	CTM1	75582	1	5 Minute Timer – Automatic Cut-Off	Solid State
13	CMT1	76325	1	2 Minute Timer – Automatic Cut-Off	Solid State
14	TM-1	74235	1	Timer – Rinse Tank Fill – 15 to 300 Sec.	Solid State
14	TM-2	74235	1	Timer – Wash Tank Fill – 15 to 300 Sec.	Solid State
15	PB-1	97275	1	"Green" Start Button	Use With 97276
15	PB-3	97275	1	"Green" 1 st Remote Start Button	Use With 97276
15	PB-5	97275	1	"Green" 2 nd Remote Start Button	Use With 97276
16	PB-2	97274	1	"Red" Stop Button	Use With 97277
16	PB-4	97274	1	"Red" 1 st Remote Stop Button	Use With 97277
16	PB-6	97274	1	"Red" 2 nd Remote Stop Button	Use With 97277
17	THS-1	7768	1	Thermostat – Rinse Tank	
17	THS-2	7768	1	Thermostat –Wash Tank	
17	THS-3	7768	1	Thermostat –Steam Booster	
17	THS-4	17595	1	Thermostat – Pre-wash Temp Control	Wire Number
18	THS-5	20484	1	Surface Thermostat 260°	712-E Blower
19	HC	7209	A.R.	Heat Contactor – 3 Pole 30 Amp	(HC1,HC2,HC3)
19	HC	7210	A.R.	Heat Contactor – 3 Pole 60 Amp	HC1,HC2,HC3)
19	HC	7211	A.R.	Heat Contactor – 3 Pole 90 Amp	HC1,HC2,HC3)
20	SSOL	12085	A.R.	Solenoid - Steam	SSOL-1,SSOL-2,SSOL-3
21	GS-1	7642	1	Gas Controller – Rinse Tank	Natural Gas
21	GS-1	7705	1	Gas Controller – Wash Tank	L.P. Gas
22	GS-2	7642	1	Gas Controller – Rinse Tank	Natural Gas
22	GS-2	7705	1	Gas Controller – Wash Tank	L.P. Gas
23	TB1	71318	1	Power Terminal Block Assembly	
		71320	1	Power Terminal Block Assembly	
24	MTR-1	10275	1	¼ H.P. Motor 115/230/60HZ-1PH	Conveyor (Rack)
24	MTR-1	10276	1	¼ H.P. Motor 230/460/60HZ-3PH	Conveyor (Rack)
24	MTR-1	11312	1	½ H.P. Motor 115/230/60HZ-1PH	Conveyor(Flight, F.A.,R.A.)
24	MTR-1	11314	1	½ H.P. Motor 230/460/60HZ-3PH	Conveyor(Flight, F.A.,R.A.)
24	MTR-2	8335	A.R.	2 H.P. Motor "C" Face115/230/60HZ-1PH	Pump: Wash, Rinse, Prewash
24	MTR-2	8337	A.R.	2 H.P. Motor "C" Face230/460/60HZ-3PH	Pump: Wash, Rinse, Prewash
24	MTR-2	14475	A.R.	3 H.P. Motor "C" Face230/460/60HZ-3PH	Pump: Wash, Rinse, Prewash
24	MTR-3	7375	1	½ H.P. Motor "C" Face115/230/60HZ-1PH	"P" Tank Pump
24	MTR-3	7382	1	½ H.P. Motor "C" Face230/460/60HZ-3PH	"P" Tank Pump

* NOTE: Use Relay 75584 for CR-1 When Machine Has Automatic Control

Item	Symbol	Part No.	QTY	Description	Remarks
24	MTR-3	17798	OPT	1 H.P. Motor "C" Face 115/230/60HZ-1PH	"P" Tank Pump
24	MTR-3	8247	OPT	1 H.P. Motor "C" Face 230/460/60HZ-3PH	"P" Tank Pump
24	MTR-4		1		Same as MRT-2 Pump Motors
24	MTR-5	17971	1	¾ H.P. Motor 115/230/60HZ-1PH	Econo-Blower
24	MTR-5	17972	1	¾ H.P. Motor 230/480/60HZ-3PH	Econo-Blower
24	MTR-5	20485	1	¾ H.P. Motor 115/230/60HZ-1PH	Econo-Blower
24	MTR-5	15126	1	2 H.P. Motor 230/460/60HZ-3PH	712 Blower
25	HTR	75456	A.R.	10 KW Immersion Heater 240 Volt	Wash & Rinse
25	HTR	75459	A.R.	10 KW Immersion Heater 480 Volt	Wash & Rinse
25	HTR	75455	A.R.	15 KW Immersion Heater 240 Volt	Wash & Rinse
25	HTR	75458	A.R.	15 KW Immersion Heater 480 Volt	Wash & Rinse
25	HTR	75210	A.R.	20 KW Immersion Heater 240 Volt	Wash & Rinse
25	HTR	75457	A.R.	20 KW Immersion Heater 480 Volt	Wash & Rinse
25	HTR	18714	A.R.	3 KW Finned Heater 240 Volt	Blower Dryers
25	HTR	20488	A.R.	3 KW Finned Heater 480 Volt	Blower Dryers



Date of Installation _____

Serial No. _____ Model No. _____

Limited Warranty

Your new Blakeslee dishwashing machine is warranted for one year from date of installation shown above against defective materials and workmanship. If any defects are found within the warranty period; parts, and labor involved with their replacement will be covered free of charge. Service must be performed by a Blakeslee authorized service agency. All labor to be performed during regular working hours. Overtime premium will be charged to the customer. All warranty parts are shipped by surface transportation. If other means of transportation is requested the customer is required to pay the premium. This warranty does not apply to damages resulting from errors in installation on the part of other contractors, nor does it apply to machines which have been subject to accident, misuse, or abuse. It is understood that Blakeslee's warranty obligation with respect to machines located outside of the United States or located in the state of Alaska is limited to the furnishing of replacement parts only. In the state of Hawaii, repair labor is provided free of charge; travel time and expenses paid by the customer. On the island of Oahu, repair labor, travel time and expenses are provided free of charge. This is the entire and only warranty of Blakeslee. We neither assume nor authorize anyone else to assume for us any other obligation or liability in connection with Blakeslee Machines.

- In no case can this warranty exceed eighteen (18) months from the date of shipment from our plant at Chicago, Illinois

Items NOT Covered Under Warranty

1. Lighting of Gas Pilots.

At the time of installation the gas pilots and burners should be adjusted. Continued failures of pilot lights would indicate dirty gas lines, improper original adjustment or intermittent drafts blowing out the flame.

2. Replacing Fuses or resetting Overloads.

Replacing a blown fuse or resetting an open overload breaker is a very simple procedure and is the owner's responsibility. If the machine continues to blow fuses or open the overload breaker, contact your nearest authorized Blakeslee Service Center.

3. Adjusting Tank Heats.

Heat adjustments are covered in The Owners Manual and must be adjusted depending upon desired results.

4. Proper Loading of Dishes.

It is important that the machine owner's personnel observe the instructions outlined in The Owners Manual.

5. Cleaning Drain Valves.

Foreign articles lodged in the drain valve seat should be removed as a part of the normal daily cleaning.

6. Cleaning Rinse or Wash Nozzles and Line Strainers.

Keeping a dishwasher clean and removing obstructions from the nozzles and line strainers will be a periodic function of the machine owner's personnel. The cleaning periods will vary depending upon impurities in the water supply and cleanliness of the washing operation.

7. Final Rinse Water.

Most frequent of all complaints in any dishwashing machine is that of poor final rinse. It is the responsibility of the owner to provide 180 to 195 degree (plus) water at 15-25 lb. flow pressure through clean unobstructed water lines. If the machine has a factory equipped final rinse water booster, the owner must supply the booster with a minimum of 140 degree temperature water.

8. Electric Boosters and Garbage Disposals.

Although these units may have been purchased with the machine, they are warranted by the individual manufacturer. Consult the nearest factory authorized representatives for these particular items.

PARTS & SERVICE

USA

Blakeslee Authorized Parts & service Distributors and Preferred Service Agents are the focal point for service and are responsible for all warranty/repair work and for maintaining a complete stock of replacement parts.

They have factory-trained servicemen and are kept informed by the factory on the latest servicing procedures.

To receive service and/or parts, call the Blakeslee Distributor nearest you. If you happen to be in an area not covered by a distributor, phone the Blakeslee Service Department in Chicago at 708-656-0660 for the name and location of one of over 300 strategically-located Blakeslee Authorized Service Agencies, which is nearest you.

ALABAMA

Jones McLeod Appliance Co.
1616 Seventh Ave. North
Birmingham, AL 35203
205-251-0159

ARIZONA

Byassee Equipment
1939 E. Washington
Phoenix, AZ 85034
602-252-0402

ARKANSAS

Bromley Parts & Service
10th & Ringo Street
Little Rock, AR 72202
501-374-0281

CALIFORNIA

Acme Pacific Repairs, Inc.
1347 Fulton Place
Fremont, CA 94539
510-252-2070

Barker's Food Machinery Ser.
5367 Second Street
Irwindale, CA 91706
626-960-9390

Chapman Appliance Service
1784 San Diego Ave.
San Diego, CA 92126
619-298-7106

Sterling Service
644 W. Hawthorn Street
Inwindale, CA
818-243-1234

COLORADO

Metro Appliance Service
1640 S. Broadway
Denver, CO 80210
303-778-1126

CONNECTICUT

A-Tech Service, Inc.
161 Sanrico Drive
Manchester, CT 06040
860-649-6627

DISTRICT OF COLUMBIA

Electric Motor Repair
700 East 25th Street
Baltimore, MD 21218
410-467-8080

FLORIDA

Commercial Appliance Service
8416 Laurel Fair Circle
Tampa, FL 33610
813-663-0313

Dade Restaurant Repair
2001 W. 27th Street
Hialeah, FL 33010
305-887-0783

GCS
3373 Northwest 168th Street
Miami, FL 33056
305-623-7001

FLORIDA (Cont.)

Nass Service Co. Inc.
1108 S. Woods Ave.
Orlando, FL 32805
407-425-2681

GEORGIA

TWC
5080 Highlands Pkwy S. A150
Smyrna, GA 20082
770-438-9797

HAWAII

Commercial Appliance
Parts & Service Co.
1623 Democratic St.
Honolulu, HI 96819
808-841-4545

IDAHO

Boise Appliance
1503 Main Street
Boise, ID 83702
208-343-0102

ILLINOIS

Eichenauer Food Equipment
130 S. Oakland Ave.
Decatur, IL 62522
217-429-4229

General Parts Inc
248 James Street
Bensenville, IL 60106
630-595-3300

Rescor
5344 East Ave.
Countryside, IL 60525
708-352-3155

INDIANA

GCS
5310 East 25th Street
Indianapolis, IN 46218
317-545-9655

IOWA

Goodwin-Tucker
2900 Delaware Ave
Des Moines, IA 50137
515-262-9308

KANSAS

General Parts, Inc.
1101 E. 13th Street
Kansas City, MO 64101
816-421-5400

KENTUCKY

GCS
4204 S. Brook Street
Louisville, KY 40214
502-367-1788

GCS
533 A Codell Drive
Lexington, KY
859-269-7484

LOUISIANA

Chandler's Parts & Service
11656 Darryl Drive
Baton Rouge, LA 70815
225-272-6620

MARYLAND

Electric Motor Repair CO.
700 East 25th Street
Baltimore, MD 21218
410-467-8080

MASSACHUSETTS

Ace Service Co. Inc.
95 Hampton Ave.
Needham (Boston), MA 02194
617-449-4220

MICHIGAN

E & G Appliance Service Co.
1435 Lawndale Ave.
Detroit, MI 48209
313-842-2252

Midwest Food Equipment Serv.
3055 Dixie
Grandville, MI 49418
616-261-2000

MINNESOTA

GCS
2854 Louisiana Ave. North
Minneapolis, MN 55427
763-546-4221

MISSISSIPPI

Camp Service & Parts Inc.
328 B Oakdale Street
Jackson MS 39201
601-353-9700

MISSOURI

Kaemmerlen Parts & Service
2728 Locust Street
St. Louis, MO 63105
314-535-2222

NEBRASKA

Goodwin-Tucker Group
7535 D Street
Omaha, NE 68124
402-397-2880

NEVADA

Burney's Commercial Service
4480 Aldebaran Ave.
Las Vegas, NV 89103
702-736-0006

NEW MEXICO

R & B Service
4412 Towner N.E.
Albuquerque, NM 87110
505-889-4090

NEW YORK

Acme American Repairs Inc.
99 Scott Ave.
Brooklyn, NY 112237
718-456-6544

Duffys Rest. Equip. Service
3138 Oneida Street
Sauquoit (Utica), NY 13456
315/737-9401

NORTH CAROLINA

Authorized Appliance Service
1020 Tuckaseegee Road
Charlotte, NC 28208
704/377-4501

OHIO

Akron Restaurant Equipment
1169 W. Waterloo Road
Akron, OH 44314
330/753-6635

Commercial Parts & Service
6940 Plainfield Road
Cincinnati, OH 45236
513-984-1900

Electrical Appliance Repair
5805 Valley Belt Road
Cleveland, OH 44131
216-459-8700

OKLAHOMA

Krueger Electric Service Inc.
100 N.E. 24th Street
Oklahoma City, OK 73105
405-528-8883

OREGON

Ron's Service Inc.
16364 S.W. 72nd Ave.
Portland, OR 97224
503-624-0890

PENNSYLVANIA

American Kitchen Mach. Corp.
204 Quarry Street
Philadelphia, PA 19106
215-627-7760

GCS
210 Vista Park Dr.
Pittsburg, PA 15205
412-787-1970

K & D Parts
1833-41 N. Cameron Street
Harrisburg, PA 17103
717-236-9039

SOUTH CAROLINA

Whaley Foodservice Repairs
2544D Morningside Dr.
West Columbia, SC 29169
803-926-5252

TENNESSEE

A-Tech Inc
424 Sixth Avenue South
Nashville, TN 37203
615-255-2002

FESCO
1209 S. Watkins
Chattanooga, TN 37404
423-624-3381

GCS
3717 Cherry Road
Memphis, TN 38118
901-366-4587

TEXAS

Commercial Kitchen Repair
1377 N. Bravos
San Antonio, TX 78207
210-735-2811

Kenco Service
26 Lyerly - Suite 1
Houston, TX 77022
713-691-2935

Stove Parts Supply Co.
2120 Solana
Fort Worth, TX 76117
817-831-0381

UTAH

LaMonicas Restaurant
Equipment Service
6182 South Stratler
Murray, UT 84107
801-263-3221

VERMONT

Authorized Appliance
74th River Street
Rutland, VT 05701
802-775-5588

VIRGINIA

Daubers Inc.
7645 Dynatech Court
Springfield, VA 22153
703-866-3600

WASHINGTON

Walsh Equipment Repair
1519 128th Place N.E.
Bellevue, WA 98005
425-462-1645

WEST VIRGINIA

Authorized Factory Service
Edens Fork Exit 177
Charleston, WV 53186
304-344-8225

WISCONSIN

General Parts Inc.
W223 N. 735 Saratoga Dr.
Waukesha, WI 53186
262-650-6666

ALBERTA

Great West Comm. Kit. Rep.
5664 Burling Cresc. S.E.
Calgary, AB T2H 1Z8
Tel: 403-276-7832

L.D.I. Technical Services
4 - 3600 21st St. N.E.
Calgary, AB T2E 6V6
Tel: 403-299-9591

North Star Repair
11518 119th Street
Edmonton, AB T5G 2X7
Tel: 780-453-6213

Robertshaw Refrigeration
P.O. Box 840
Cold Lake, AB T9M 1P2
Tel: 780-594-3488

Re-Nu Mechanical Ltd.
1710 Bay F - 31st St. N.
Lethbridge, AB T1H 5H1
Tel: 403-327-7368

Medicine Hat Refrigeration
666 17th Street S.W.
Medicine Hat, AB T1A 4X7

Satellite Mechanical Ltd.
#1 - 5571 45th Street
Red Deer, AB T4N 1L2
Tel: 403-343-6122

BRITISH COLUMBIA

Key Food Equip. Services
180 - 3700 North Fraser
Burnaby, BC V5J 5H4
Tel: 604-433-4484

Marsh & Sons Ventures
10411 - 95th Avenue
Fort St. John, BC V1J 5Z4
Tel: 250-767-9733

J.D. Appliance Repairs
1965 Moss Cr.
Kelowna, BC V1Y 9L3
Tel: 250-860-5057

Jemco Food Equip. Service
7431 Industrial Road
Lantzville, BC V0R 2H0
Tel: 250-390-3244

Sheridan Appliances
764 Chaparral Place
Kamloops, BC V2C 5W4
Tel: 250-314-1722

Mark's Rest. Services
515 Dupplin Road, #3
Victoria, BC V8Z 1C2
Tel: 250-475-6275

Key Food Services
2740 Bridge St., #105
Victoria, BC V8T 5C5
Tel: 250-920-4888

Triumph Food Equip. Service
4671 Slocan Street
Vancouver, BC V5R 1Z8
Tel: 604-454-9326

MANITOBA

Grand Valley Mechanical
360 Park Avenue E.,
Brandon, MB R7A 6N2
Tel: 204-728-3898

Commercial Kitchen Equip.
731 Wall Street
Winnipeg, MB R3G 2T6
Tel: 204-586-8273

Res Tech Service Ltd.
593 Sherburne Street
Winnipeg, MB R3G 2K8
Tel: 204-228-5399

NEW BRUNSWICK

D & L Electric
83 Sister Green Road
Campbellton, NB E3N 3Y5
Tel: 506-753-5076

Electrical & Refrigeration Serv.
88 Beaverbrook Street
Moncton, NB E1C 8H7
Tel: 506-857-2232

EMR
122 Driscoll Avenue
Moncton, NB E1E 3R8
Tel: 506-855-4228

I Line Electric Ltd.
280 Dalton Avenue
Miramichi, NB E1V 3N9
Tel: 506-622-2214

Fundy Gas & Electric
45 Glen Road
Saint John, NB E2H 2C9

NEWFOUNDLAND

Bob's Electric
14 Cooks Avenue
Cornerbrook, NF A2H 1P1
Tel: 709-634-7588

Domestic Service Centre
27 McCurdy Drive, P.O. Box 83
Gander, NF A1V 1W5
Tel: 709-256-7738

Harold Snow & Son Ltd.
451 Kenmount Road
St. John's, NF A1B 3P9
Tel: 709-754-0330

NOVA SCOTIA

Jerome Cameron
R.R. #5, Salt Springs
Antigonish, NS B2G 2L3
Tel: 902-863-4528

Harry Rhyno Refrigeration
233 North Street
Bridgewater, Lun. Co. NS
B4A 2V7
Tel: 902-543-4737

Walker's Electric
2608 Windsor Street
Halifax, NS B3K 5C8
Tel: 902-454-0291

NOVA SCOTIA Continued

Buddens Appliance Service
164 Nichols Avenue
Kentville, NS B4N 2H6
Tel: 902-678-7895

J.R. Mahoney Ltd.
1810 Kings Road
Sydney, NS B1L 1C5
Tel: 902-564-8775

Syd Tech Appliances
Box 1907
Sydney, NS B1P 6W4
Tel: 902-561-0156

Fundy Appliance Service
Truro, NS B2N 5B3
Tel: 902-897-0479

ONTARIO

OFS Restaurant Appl. Serv.
16 Lennox Dr., R.R. #2
Barrie, ON L4M 4S4
Tel: 705-728-5289

ChemMark
52 Highway 17, P.O. Box 371
Chalk River, ON K0J 1J0
Tel: 613-584-2988

Kitchenworks Rest. Equip. Sup
R.R. #5, 823974 Massie Rd.
Chatsworth, ON N0H 1G0
Tel: 519-794-3633

G.R. Garrity
39 Regal Road
Guelph, ON N1K 1B6
Tel: 519-836-1090

Barbers Rest. Eq. & Repairs
927 Barton Street E.
Hamilton, ON L8L 3C4
Tel: 905-527-2525

J.I.K.S. Ind. Kitchen Serv.
42 Groff Place, #4
Kitchener, ON N2E 2L6
Tel: 519-748-5361

R.G. Henderson & Son Ltd.
660A Justus Drive
Kingston, ON K7M 4H4
Tel: 613-384-1718

A-1 Plumbing & Heating
P.O. Box 414
Ilderton, ON N0M 2A0
Tel: 519-455-6559

Action Rest. & Serv. Equip.
151 Bentley Street, #9
Markham, ON L3R 3L1
Tel: 905-475-1499

Stell Mechanical
25 Iron Street
Etobicoke, ON M9W 5E3
Tel: 905-569-8270

Repco Restaurant Equip.
9208 Lundy's Lane
Niagara Falls, ON L2E 6S4
Tel: 905-358-9071

ONTARIO Continued

Blanchfield Comm. Kit. Serv.
770 Industrial Ave., Unit 13
Ottawa, ON K1G 4H3
Tel: 613-737-6632

McNabb Appliances
370 Burnham Street
Peterborough, ON K9H 1T6
Tel: 705-743-5350

Ermar Plumbing Ltd.
795 Batory Avenue
Pickering, ON L1W 2W5
Tel: 905-420-5252

Sure-Fix Food Equip. Serv.
52 Vine Street S.
St. Catharines, ON L2R 3X8
Tel: 905-685-0480

W.J. Barnes & Son
116 Telford Street
Samia, ON N7T 7J2
Tel: 519-332-1770

Sault Rapid Repair
1496 Wellington St. E.
Sault Ste. Marie, ON P6A 2R1
Tel: 705-759-3311

Tisdale Plumbing & Heating
40 Golden Avenue
South Porcupine, ON P0N 1H0
Tel: 705-235-4045

Sudbury Rapid Service
23 Main Street
Chelmsford, ON P0M 1L0
Tel: 705-671-6477

Jemm Service
1211 Ford Street
Thunder Bay, ON P3A 4R8
Tel: 807-623-7851

R.G. Henderson & Son Ltd.
100 Thorncliff Park Dr.
Toronto, ON M4H 1G9
Tel: 416-423-4357

P.E.I.

Waites Enterprises
626 South Drive
Summerside, PEI C1N 3Z7
Tel: 902-436-7509

QUEBEC

Choquette CKS
8487 19th Avenue
Montreal, QC H1Z 4J2
Tel: 514-723-5000

L. Chasse Inc.
448 Richelieu
Pointe au Pic, QC G5M 1C9
Tel: 418-723-9100

Majella Vaillancourt
82 St. Cyrille
Riviere de Loup, QC G5R 2G8
Tel: 418-862-2503

QUEBEC

Electro Ref. Service Ent.
161 Pere Divet
Sept-les, QC G4R 3P8
Tel: 418-962-9186

Kitchen Equipment Services
893 King Street W.
Sherbrooke, QC J1H 1R9
Tel: 819-821-2153

Choquette CKS
900 Pierre Bertrand, #220
Ville Vanier, QC G1M 3K2
Tel: 418-681-3944

SASKATCHEWAN

Comfort Mechanical
1355 11th Avenue
Regina, SK S4P 0G8
Tel: 306-352-0544

Northcote Sales & Serv. Co.
1327 Hamilton Street
Regina, SK S4R 2B6
Tel: 306-525-1979

Evan's Restaurant Serv.
410 Lauriston Street
Saskatoon, SK S7K 0R5
Tel: 306-653-2772

YUKON

Oscar's Electric
310 Alexander St.
Whitehorse, YK Y1A 2L6
Tel: 867-667-2330

Yukon Appliance Sales & Serv.
9041 Quartz Road
White Horse, YK Y1A 4Z5
Tel: 867-668-4844

Puerto Rico

Gas Repair Equipment
7 St. N.E. #322 Puerto Nuevo
San Juan, PR 00920
787-749-8044

NOTES

ILLUSTRATED PART'S MANUAL

FLIGHT - A - ROUND DISHWASHER



BLAKESLEE

Revised 4/2006