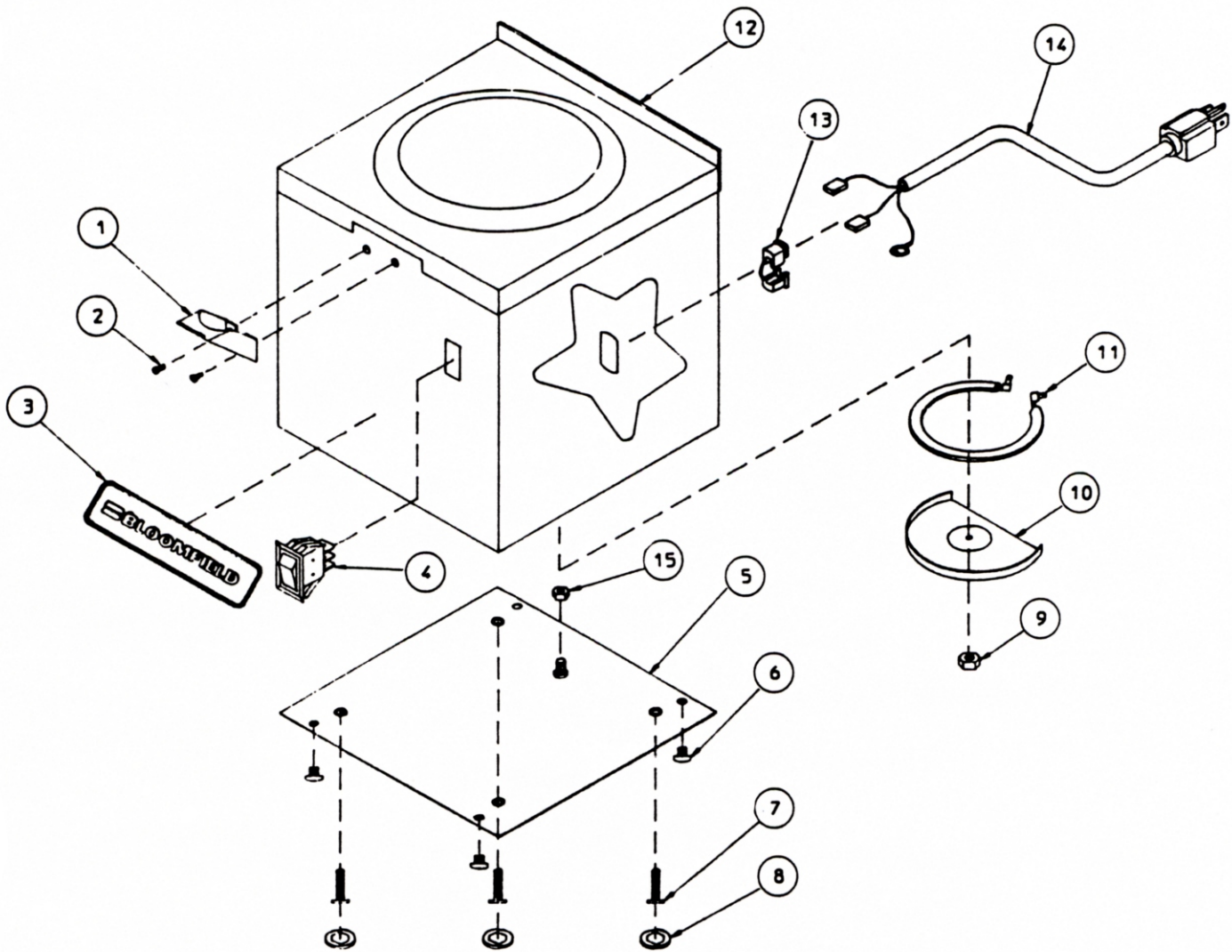


**REPLACEMENT PARTS LIST**  
**MODEL NO. 1906 SATELLITE WARMING STATION**



**REPLACEMENT PARTS LIST**  
**MODEL NO. 9106 WARMER**

REF NO.	PART NO.	DESCRIPTION
1	9102-49	FAUCET SUPPORT BRACKET
2	D 20002-3	SCREW, #10-32 x 5/16 LONG
3	8763-8	LABEL
4	6710-23	ON-OFF SWITCH, 120V
5	9106-4	BOTTOM PLATE SUB-ASSY
6	8861-23	SCREW, #8 x 3/8
7	8033-55	LEG LEVELER
8	8033-56	LEVELER CAP
9	18-126	HEX. NUT, #1/4-20 x 7/16
10	8703-26	RETAINER
11	8572-18	HEATING ELEMENT
12	9106-7	TOP AND BODY SUB-ASSY
13	35-210	CORD GRIP
14	8841-8	CORD AND CAP ASSY
15	8201-5	HEX NUT, #10-24 x 3/8

