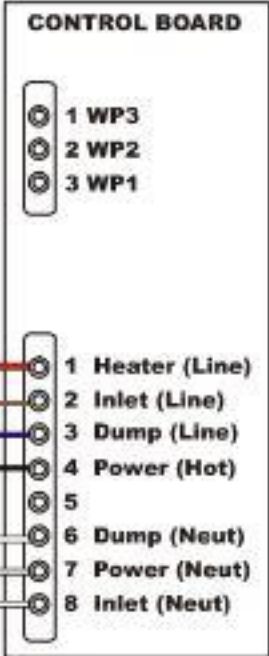
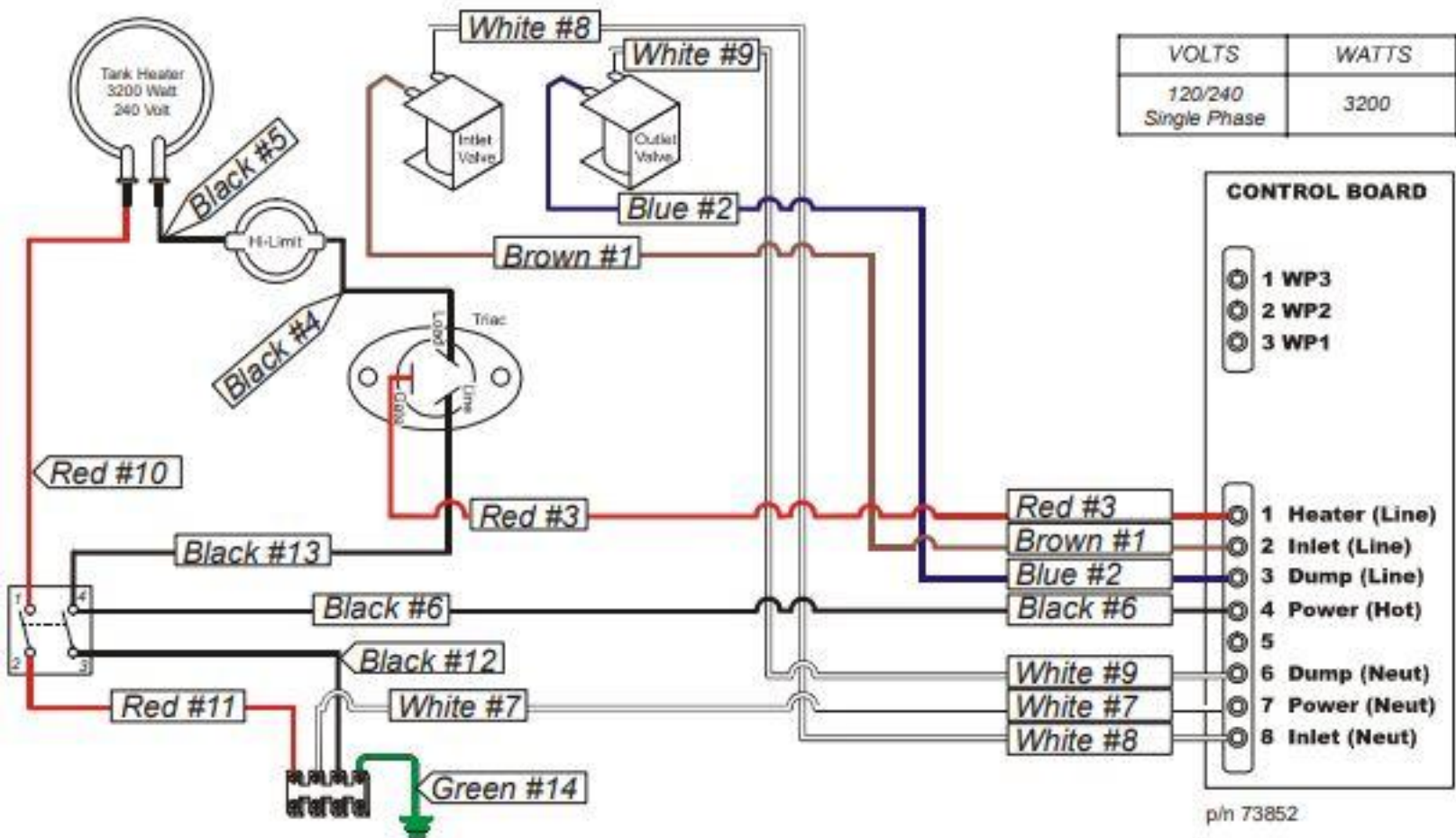


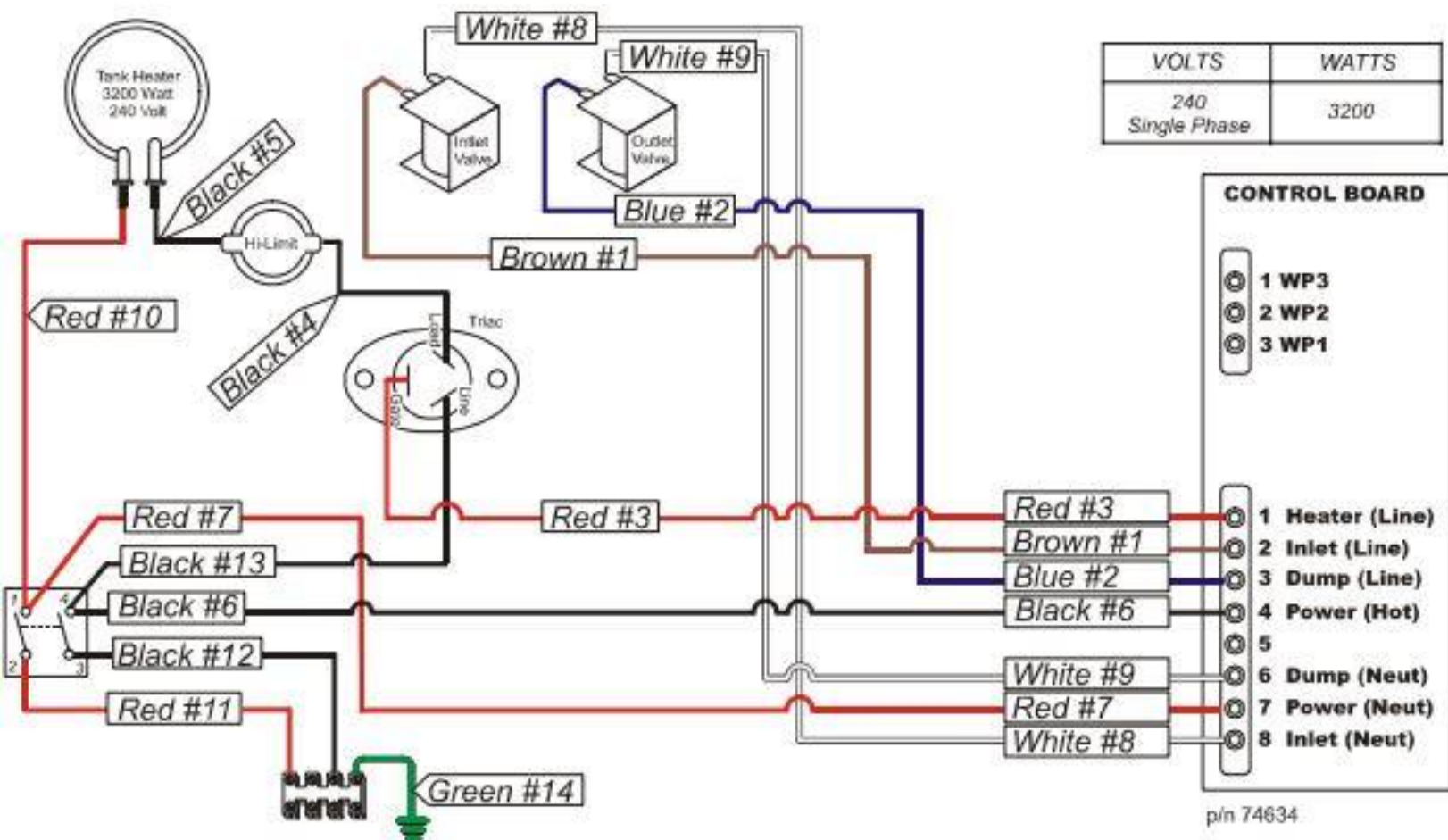
VOLTS	WATTS
120	1500



p/n 73584



VOLTS	WATTS
120/240 Single Phase	3200



VOLTS	WATTS
240 Single Phase	3200

