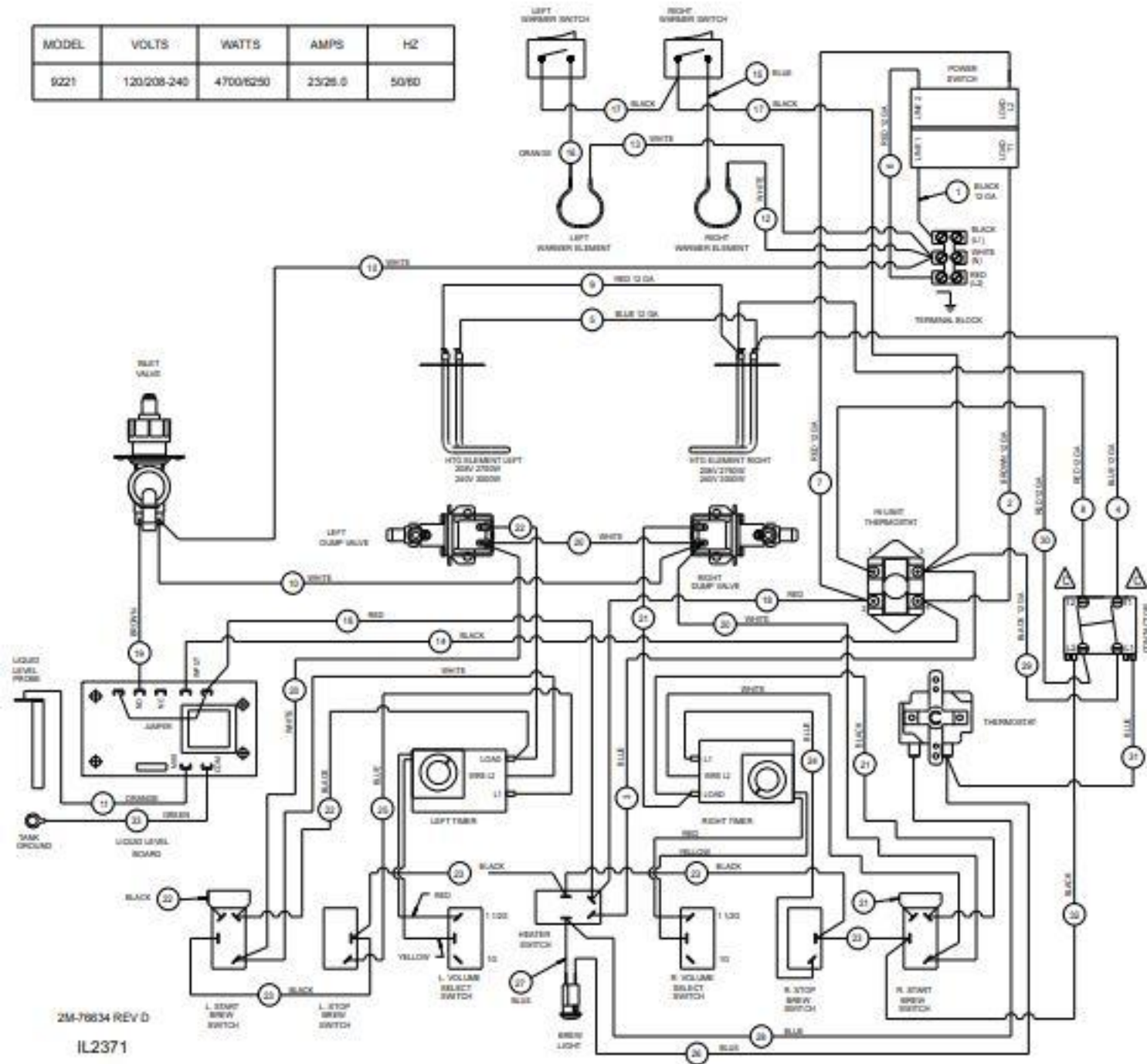


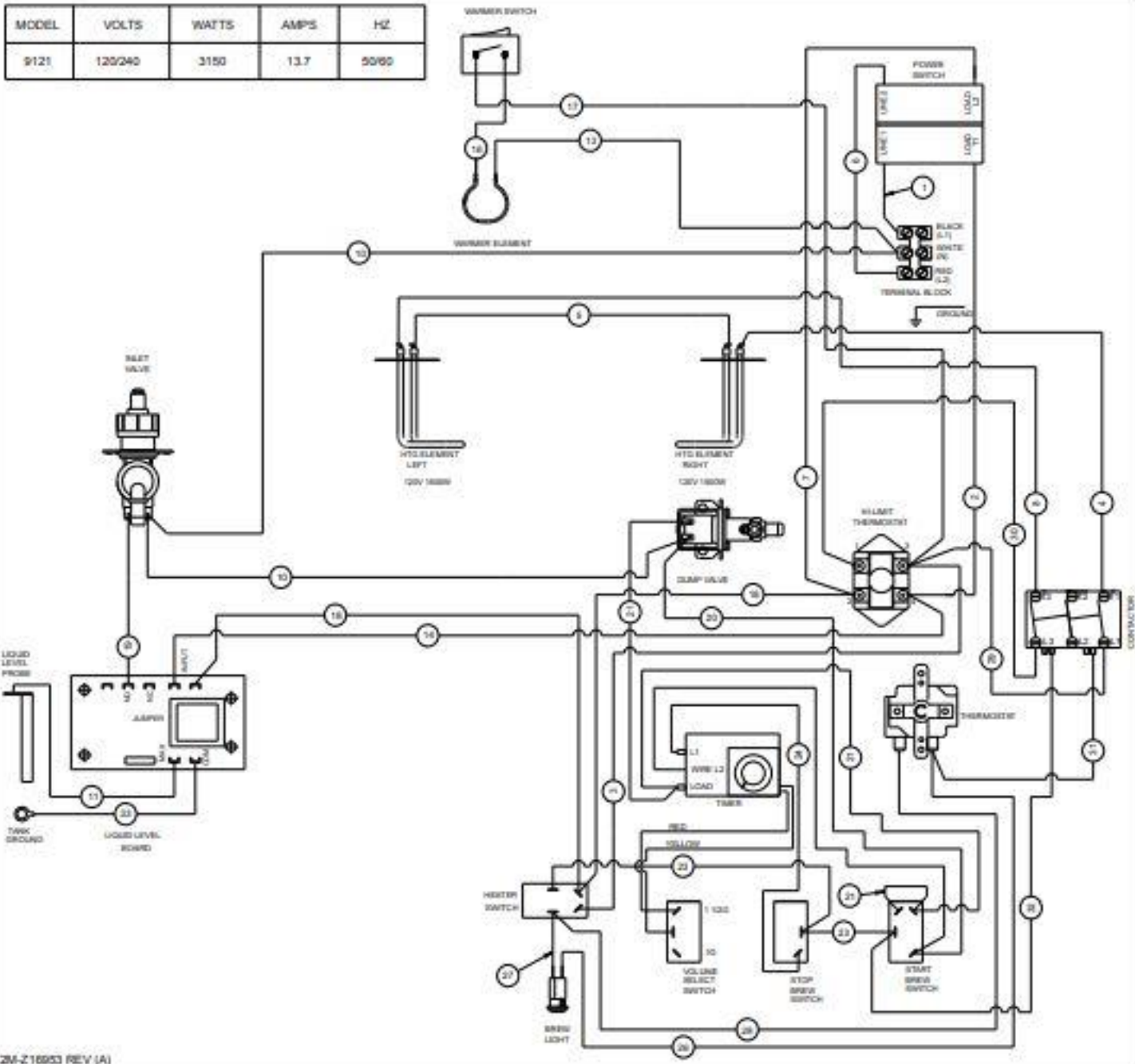
MODEL	VOLTS	WATTS	AMPS	HZ
9221	120/208-240	4700/6250	23/26.0	50/60

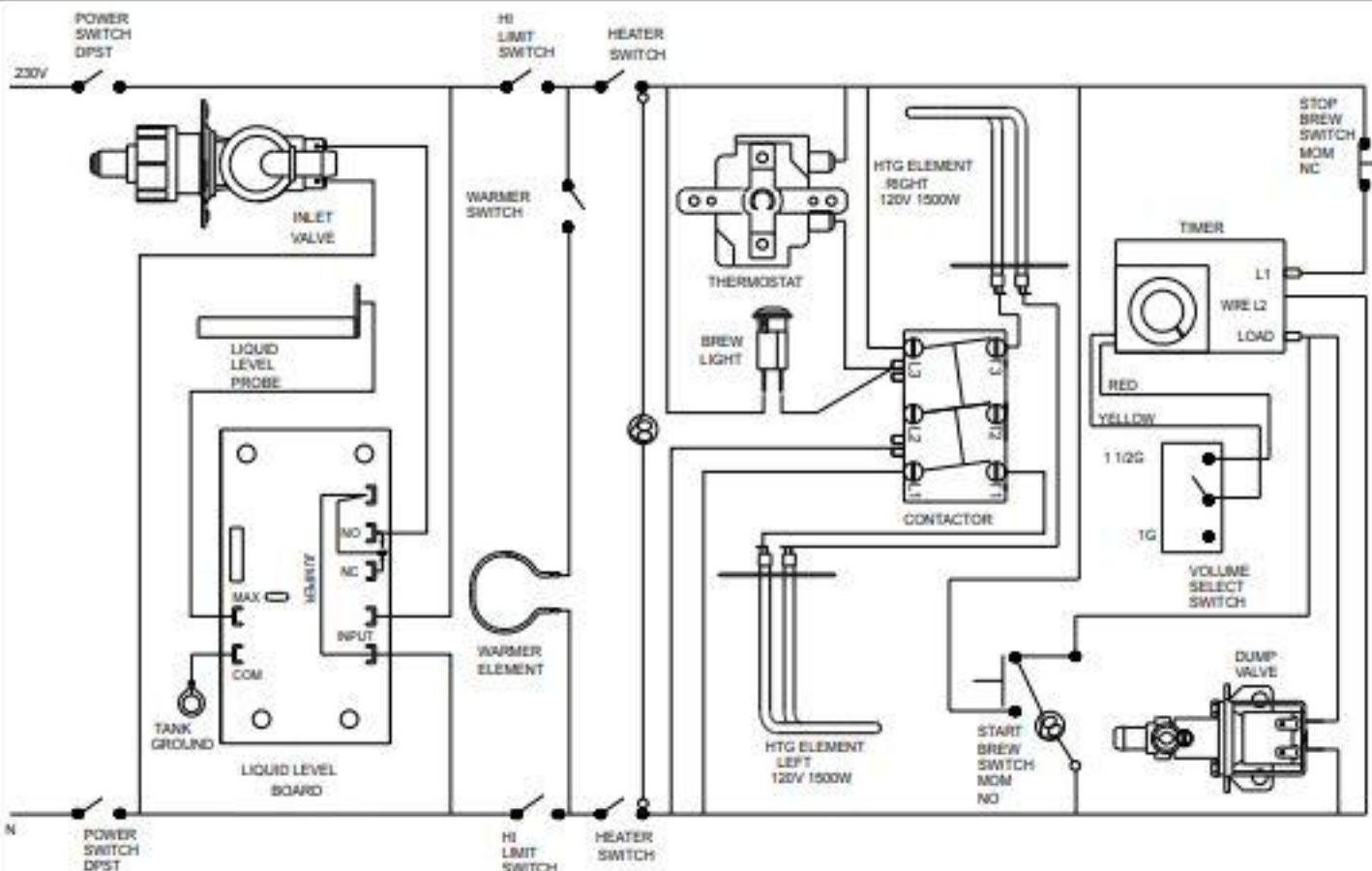


2M-76634 REV D

IL2371

MODEL	VOLTS	WATTS	AMPS	HZ
9121	120/240	3150	13.7	50/60





MODEL	VOLTS	WATTS	AMPS	HZ
9121	230	3150	13.7	50/60
8795	230	3050	13.3	50/60