



## **BDO-G CONVECTION OVEN REPLACEMENT PARTS LIST**



**EFFECTIVE FEBRUARY 9, 2015**

Superseding All Previous Parts Lists.

The Company reserves the right to make substitution in the event that items specified are not available.

ERRORS: Descriptive and/or typographic errors are subject to correction.

---

### **BLODGETT OVEN COMPANY**

44 Lakeside Avenue, Burlington, Vermont 05401 USA Telephone: (802) 658-6600 Fax: (802) 860-3732  
[www.blodgett.com](http://www.blodgett.com)

*P/N 55447 Rev F*

## **SERIAL NUMBER LOCATION / KEY:**

***IMPORTANT: When ordering parts, please provide the model, gas type and serial number of the oven. The rating plate is located behind the control panel. The serial number can be found on the top right hand corner of the oven.***

**SERIAL NUMBER IDENTIFICATION CODE:  
DS, DM - BDOG GAS CONVECTION OVEN  
WITH INSHOT POWER BURNER**

### **SERIAL NUMBER EXAMPLES**

**062006DM001Z  
06/20/06 = DATE  
DS, DM = LETTER CODES FOR BDO-G  
001 = FACTORY SEQUENCE**

#### **TO OBTAIN LITERATURE:**

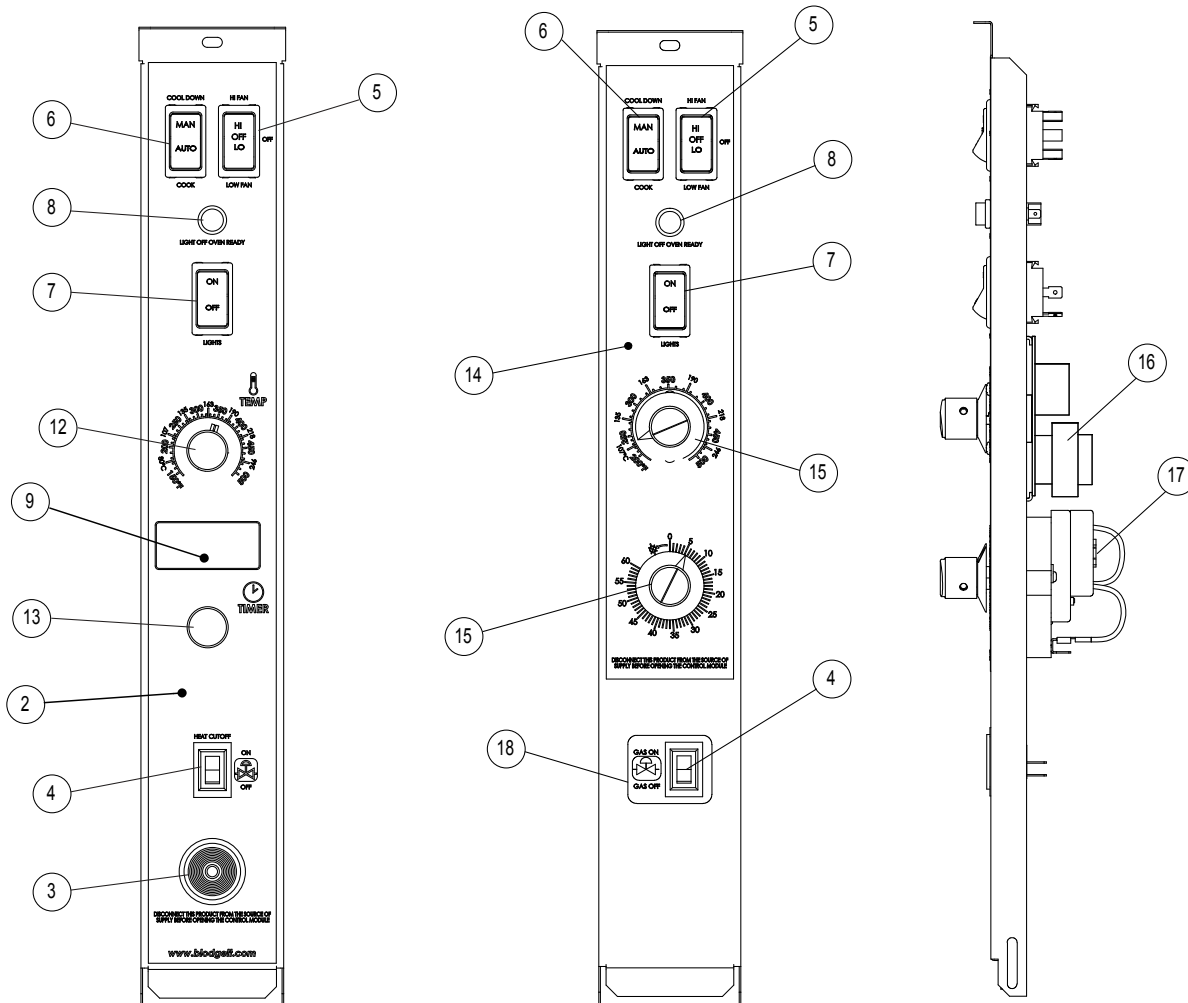
Email: [literature@blodgett.com](mailto:literature@blodgett.com)  
or visit  
[www.blodgett.com](http://www.blodgett.com)

# TABLE OF CONTENTS

◆ **Doors Are Not Returnable**

CONTROL COMPONENTS .....	4
BURNER COMPONENTS .....	5
ELECTRICAL PANEL COMPONENTS .....	6
INTERIOR HEAT SYSTEM COMPONENTS.....	7
LOWER DOOR SUPPORT COMPONENTS.....	8
EXTERIOR COMPONENTS & DOORS .....	9
INTERIOR COMPONENTS .....	10
ACCESSORIES .....	12

# CONTROL COMPONENTS



**NOTES:**

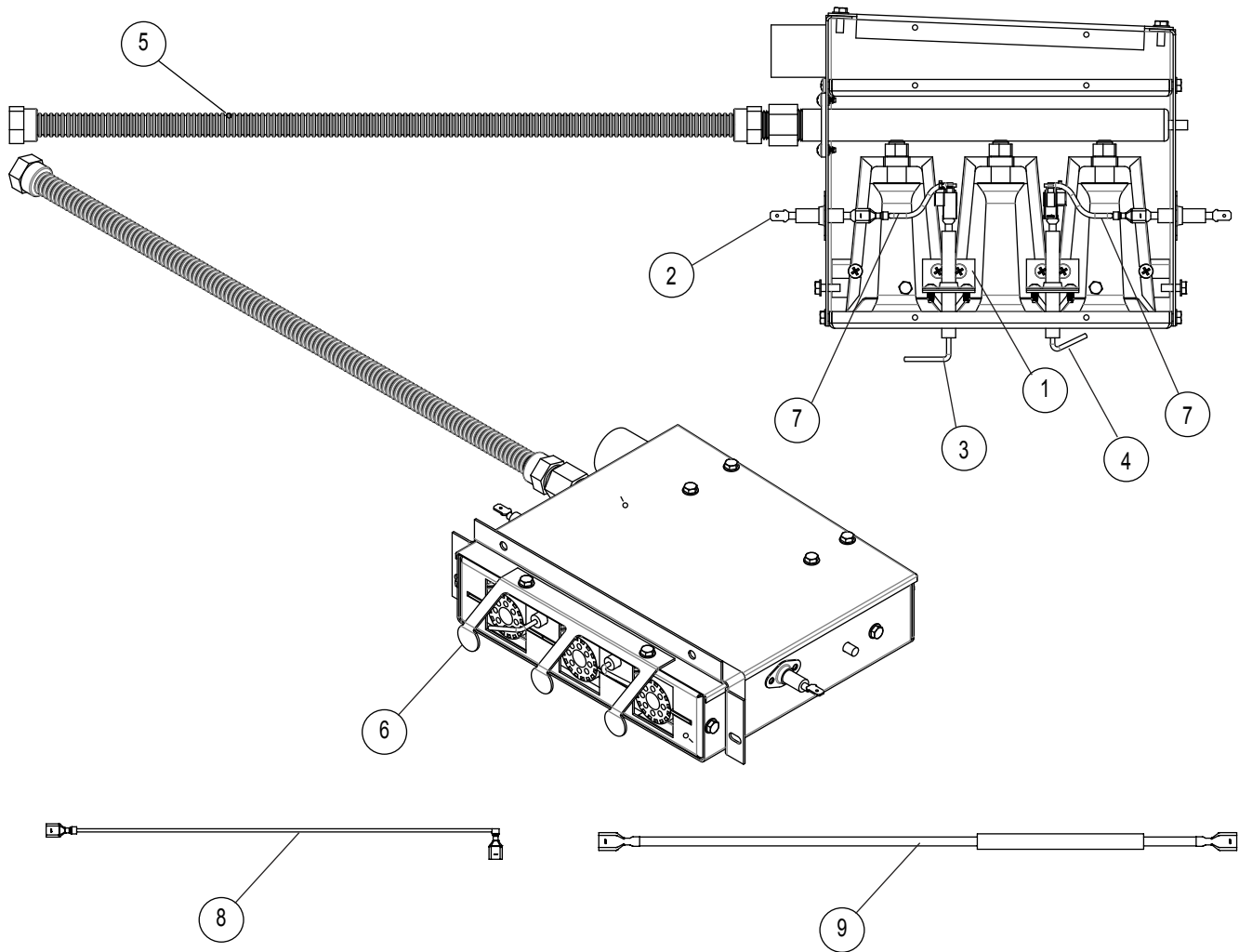
1. BEEPER HARNESS IS 2 WIRES CONNECTING ITEM 3 TO ITEM 9.
2. THE FRONT HARNESS IS THE MAIN WIRE HARNESS CONNECTING ALL OF THE COMPONENTS ON THIS ASSEMBLY.

Ref. No.	Part No.	Description
2	54844	DECAL, INFINITE WITH DIGITAL TIMER, BEFORE 1/1/2013
14	56303	DECAL, INFINITE TEMPERATURE, AFTER 1/1/2013
3	52668	BEEPER, BEFORE 1/1/2013
4	36376	SWITCH, GAS, ON/OFF
5	6503	SWITCH, ROCKER 3PDT
6	6502	SWITCH, ROCKER, DPDT, RED
7	6497	SWITCH, ROCKER SPST, WHT
8	18265	INDICATOR LIGHT
9	54859	CONTROL, INFINITE W/DIGITAL TIMER, BEFORE 1/1/2013
16	33152	CONTROL, INFINITE TEMPERATURE, AFTER 1/1/2013

Ref. No.	Part No.	Description
10	52843	HARNESS, BEEPER (NOT SHOWN), BEFORE 1/1/2013
12	55385	KNOB, CONTROL, BEFORE 1/1/2013
13	55386	KNOB, TIMER, BEFORE 1/1/2013
15	R8743	KNOB, THERMOSTAT & TIMER, AFTER 1/1/2013
17	18225	TIMER, 60 MINUTE, AFTER 1/1/2013
18	R10657	DECAL, GAS SWITCH, AFTER 1/1/2013

# BURNER COMPONENTS

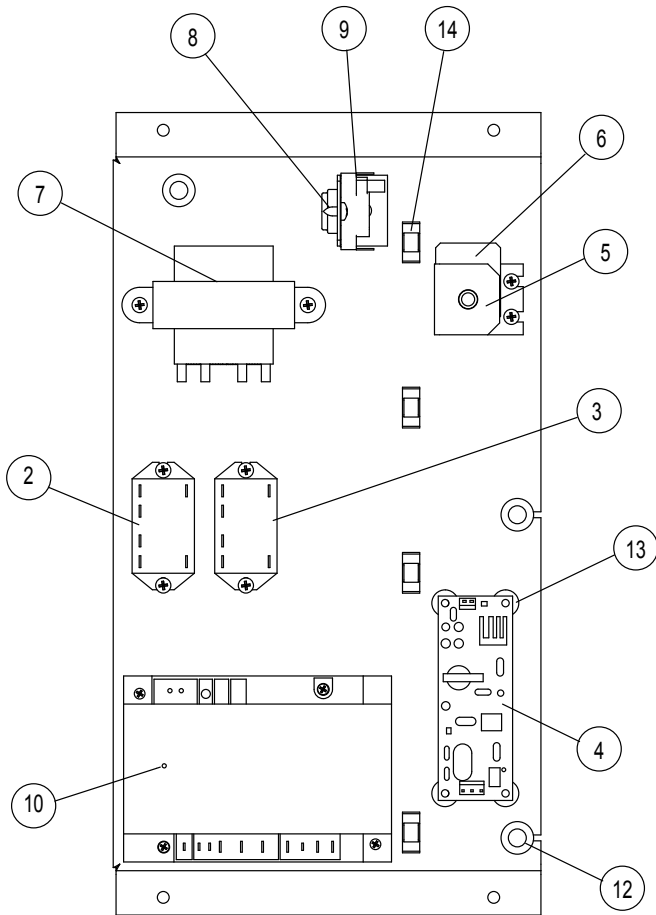
## FOR ALPHA CODE DM OR DS OVENS



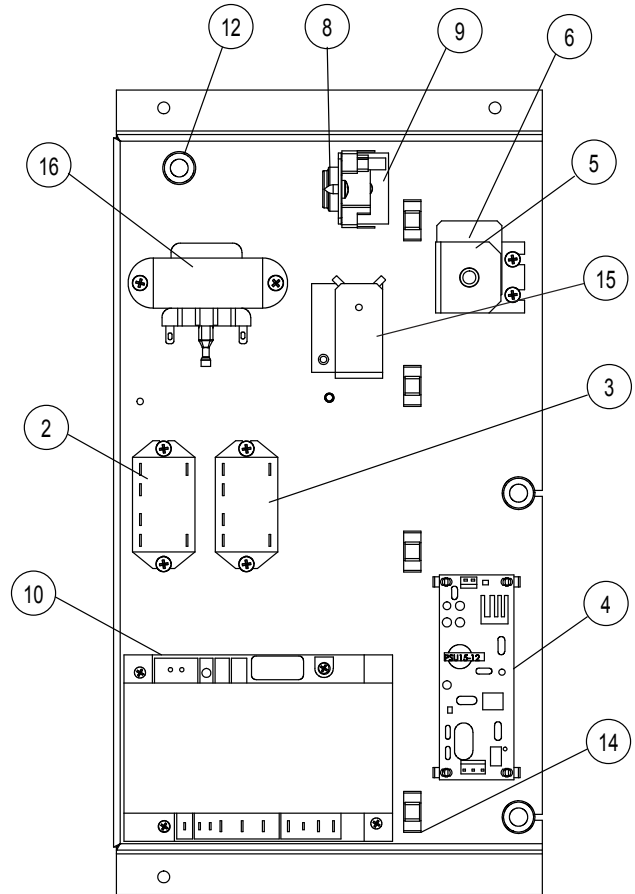
Ref. No.	Part No.	Description
1	54957	BURNER BASE
2	55030	BURNER, INSHOT
3	54177	MANIFOLD, GAS
4	36415	ORIFICE, BLANK
5	54911	ELECTRODE MOUNTING BRACKET
6	54913	BURNER AIR BAFFLE
7	54327	BURNER WIRING CONNECTOR
8	54328	FLAME SENSOR
9	54329	SPARK ELECTRODE
10	54914	BURNER FRONT
11	54935	FLEX HOSE
12	54909	BURNER COVER
13	54910	TURBULATOR

Ref. No.	Part No.	Description
14	54912	BURNER MOUNTING FLANGE
15	54885	WIRE ASSY, 2.5" ORANGE 20 AWG
16	54885	WIRE ASSY, 2.5" ORANGE 20 AWG
17	53671	SCREW, 8-32X3/8 SS PAN THD CUT
18	21876	SCREW, SELF DRILL, #10-16 X 1/2
19	15247	.625 SELF DRILLING SCREW
20	1799	#10 X 3/8 PH SCREW
21	M0471	HEX HEAD CAP SCREW, #10-24
	57841	CONVERSION KIT, NAT TO LP GAS
	58226	CONVERSION KIT, LP TO NAT GAS
	55506	IGNITION WIRE

# ELECTRICAL PANEL COMPONENTS



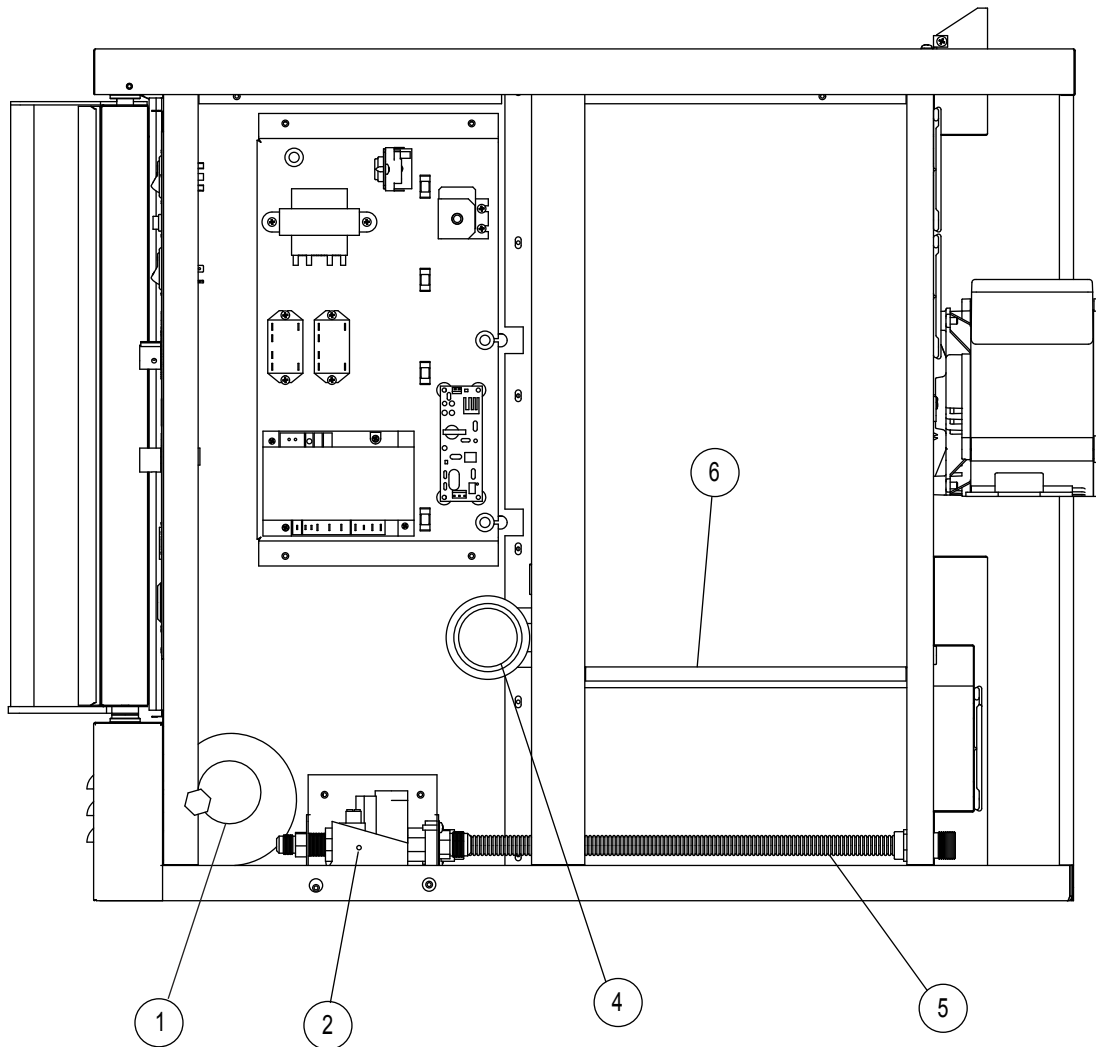
DM MODELS



DS MODELS

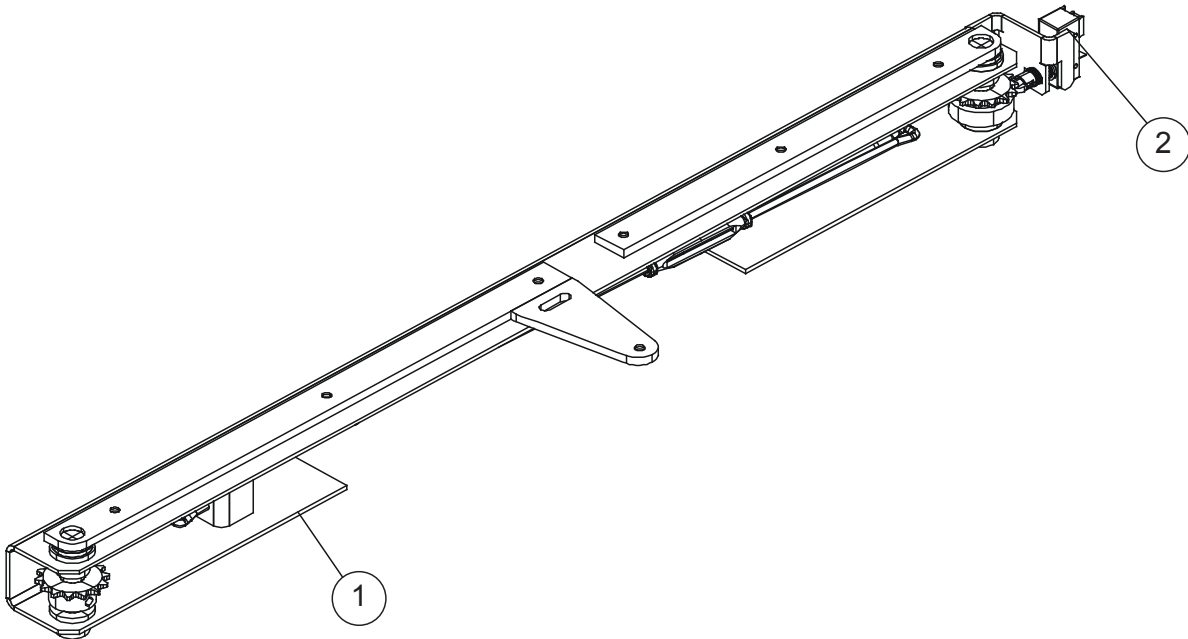
Ref. No.	Part No.	Description
2	36603	RELAY, DPST 25A 120V
3	37058	RELAY, DPST 25A 24V
4	54607	DC POWER SUPPLY, 12V 15W OUTPUT
5	36441	THERMOSTAT, HIGH LIMIT
6	35933	BRACKET, HI-LIMIT SWITCH
7	24356	TRANSFORMER, 120V TO 24V 80VA, BEFORE 1/1/2013
16	20355	TRANSFORMER, 115V TO 24V, AFTER 1/1/2013
8	36755	SWITCH, THERMAL, SPDT
9	37488	BRACKET, THERMAL DISC
10	54388	IGNITION CONTROL
	56599	HARNESS, REAR (NOT SHOWN, AFTER 1/1/2013)
12	19086	GROMMET, RUBBER 11/16
13	18268	SPACER, NYLON
14	50106	PUSH WING MOUNT
15	20349	BUZZER, 120V, AFTER 1/1/2013

# INTERIOR HEAT SYSTEM COMPONENTS



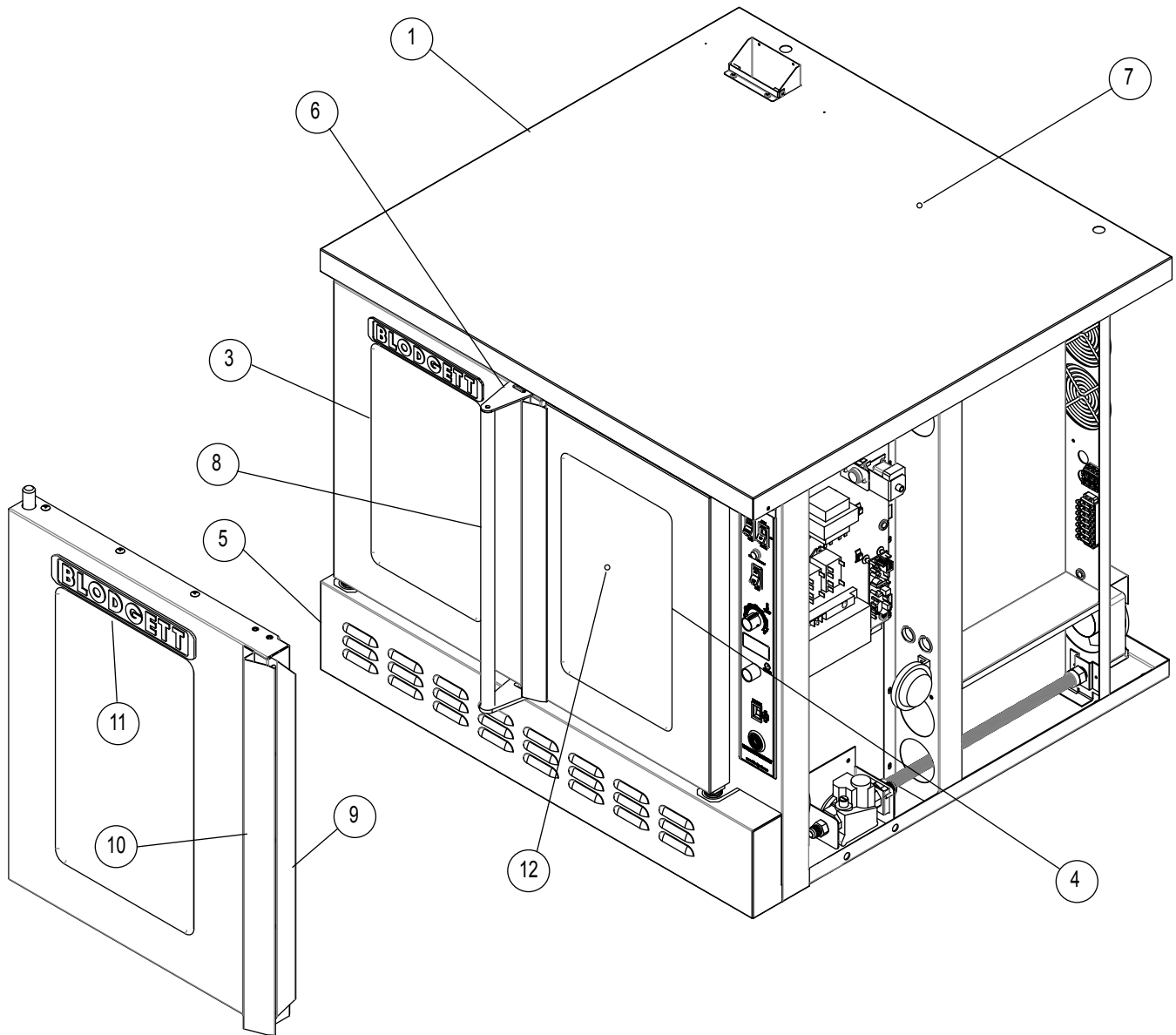
<b>Ref. No.</b>	<b>Part No.</b>	<b>Description</b>
1	54897	COMBUSTION BLOWER, 12 VDC
2	54938	GAS VALVE ASSY, NATURAL
3	54939	GAS VALVE ASSY, LP
4	54802	PRESSURE SWITCH
5	M9705	PRESSURE SWITCH TUBING (BY THE INCH)
5	55070	GAS SUPPLY TUBE
6	53811	AIR DIVIDER

# LOWER DOOR SUPPORT COMPONENTS



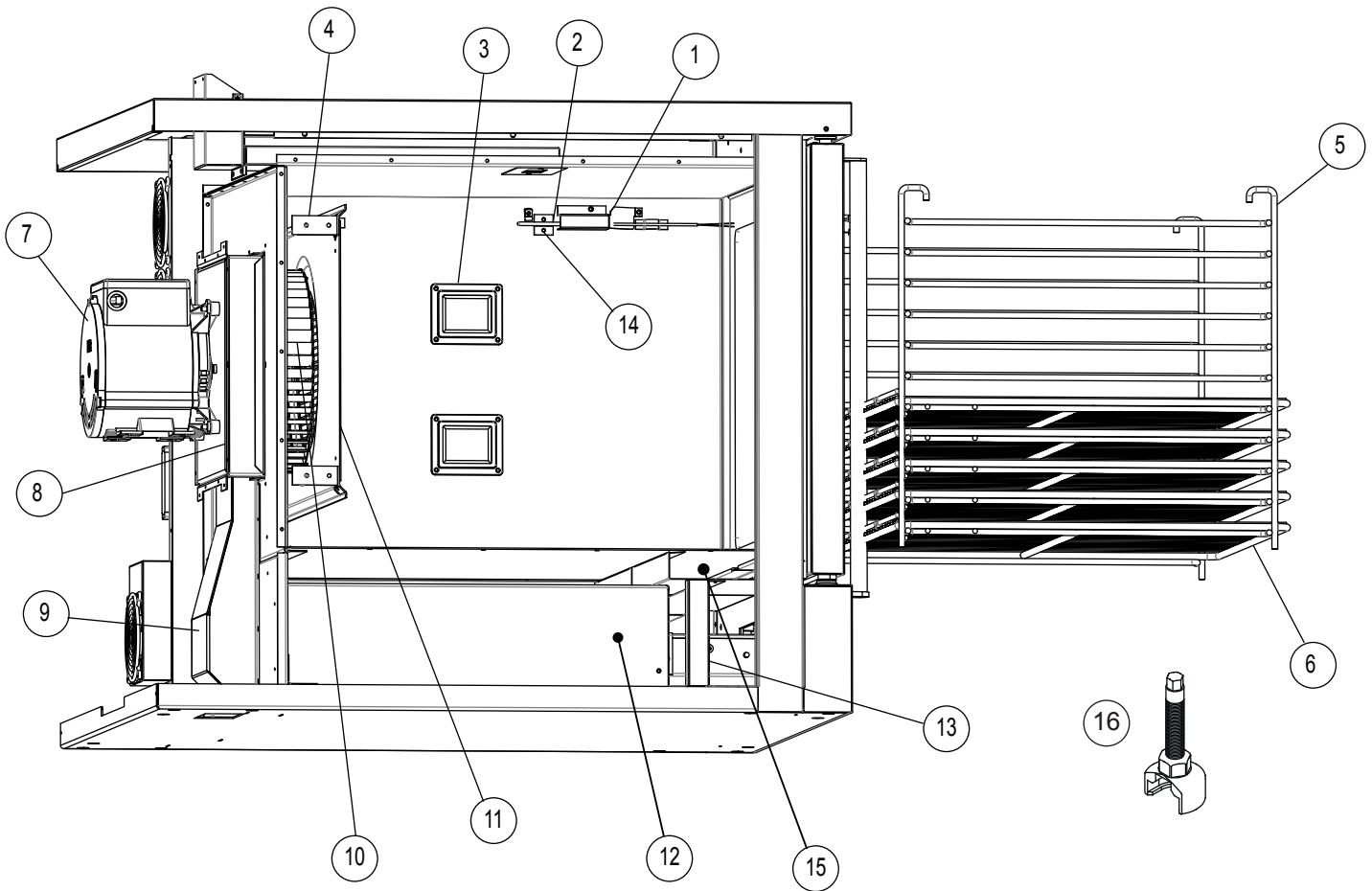
<b>Ref. No.</b>	<b>Part No.</b>	<b>Description</b>
1	37003	Lower Door Support Assy
	<b>NOTE:</b>	<b>Lower Door Support Assy includes the hinge pins, arms, chain &amp; turnbuckles, sprocket assy, and cam assy.</b>
2	35193	Microswitch

## EXTERIOR COMPONENTS & DOORS



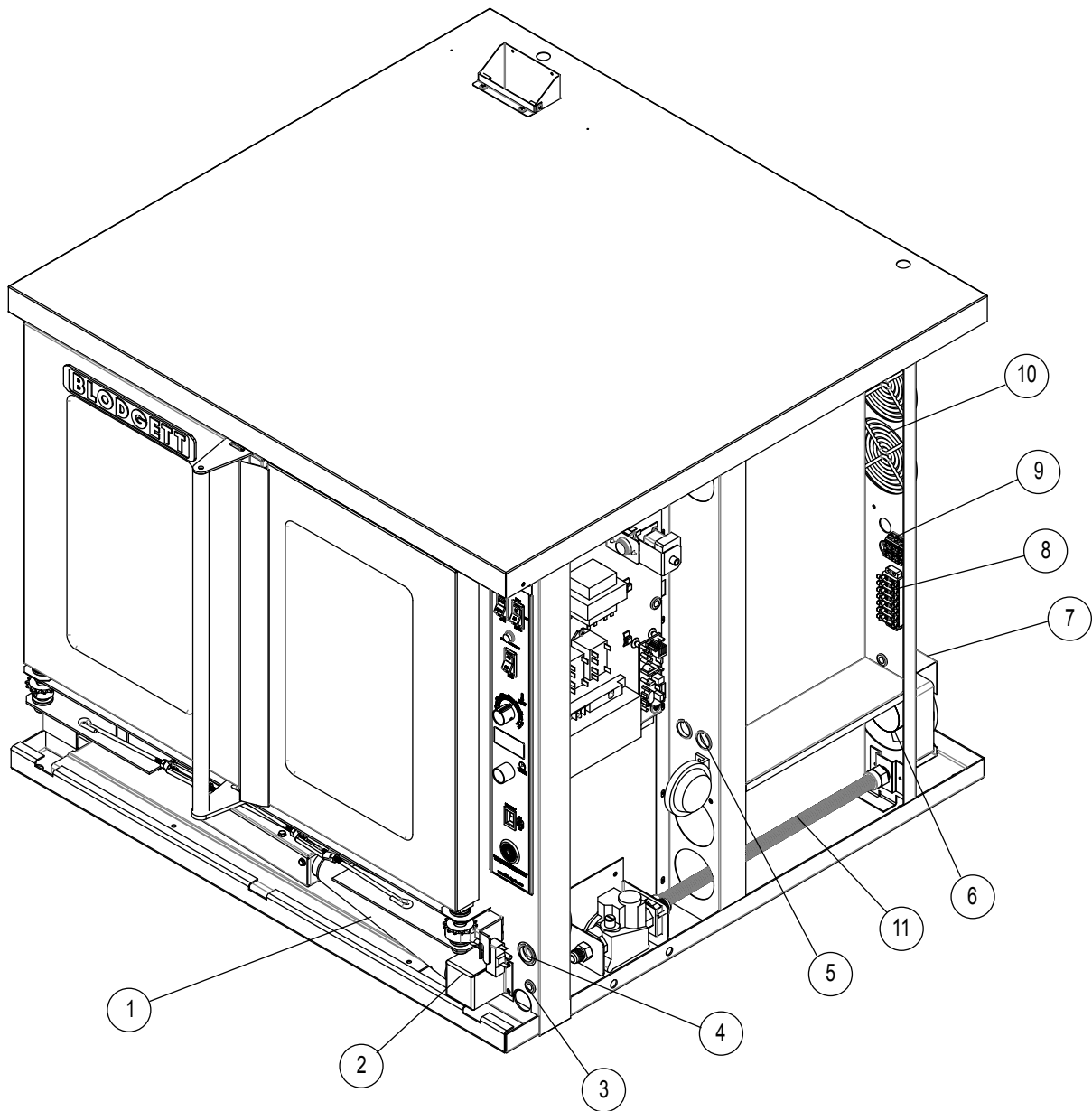
Ref. No.	Part No.	Description
1	53784	BODYSIDE, LH
2	53783	BODYSIDE, RH
3	20804	LEFT HAND GLASS DOOR
3	20806	LEFT HAND SOLID DOOR
4	20803	RIGHT HAND GLASS DOOR
4	20805	RIGHT HAND SOLID DOOR
5	53787	COMBUSTION COVER
6	36793	DOOR HANDLE TOP PLATE
7	53781	BODYTOP
8	21097	DOOR HANDLE WITH HARDWARE
9	36606	PRESSURE LOCK (ATTACHES TO SIDE OF DOOR)
10	17311	CENTER DOOR TRIM
11	16470	NAMEPLATE
12	9036	WINDOW ASSEMBLY, DROP IN (10-1/8 X 17-1/8)
	9035	WINDOW TOOL FOR INSTALLATION AND REMOVAL OF GLASS
	90004	BRONZE DOOR BEARINGS, SET OF 2
	36876	PERIMETER GASKET

# INTERIOR COMPONENTS



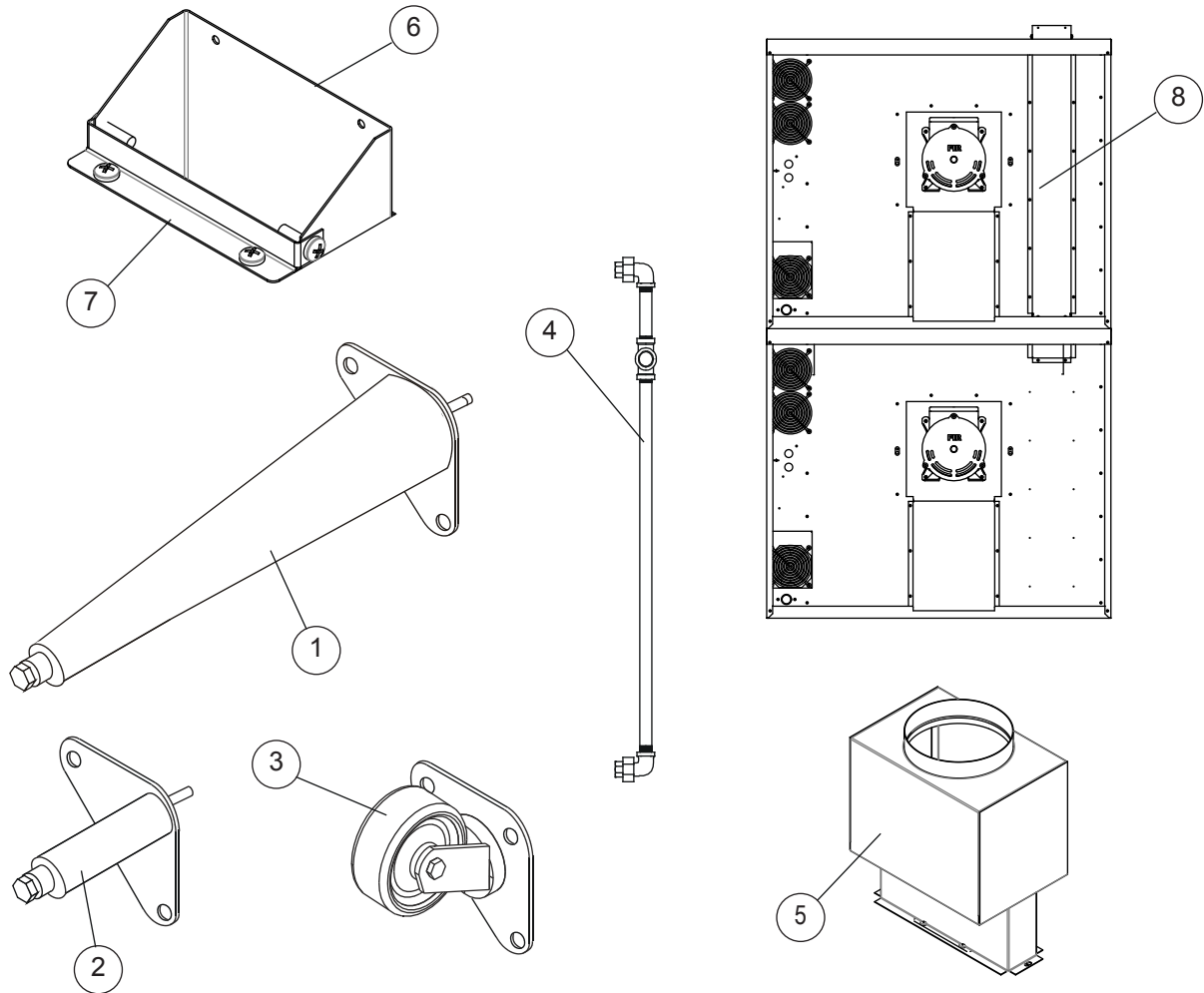
Ref. No.	Part No.	Description	Ref. No.	Part No.	Description
1	38673	TEMPERATURE PROBE GUARD	7	37022	MOTOR, 120V 2 SPEED
2	54842	TEMPERATURE PROBE 1K OHM, BEFORE 1/1/2013	8	53771	MOTOR MOUNT PANEL
	18588	TEMPERATURE PROBE, AFTER 1/1/2013	9	53817	BURNER BOX FRONT SECTION
3	57058	HALOGEN LIGHT ASSEMBLY, 12V, BEFORE 1/1/2013	10	55346	BLOWER WHEEL
	D0128	BULB, HALOGEN, 12V, TYPE G4 .16" BETWEEN PINS, BEFORE 1/1/2013	11	51673	OVEN CAVITY BAFFLE
	57075	BULB, HALOGEN, TYPE G5.3 .21" BETWEEN PINS, BEFORE 1/1/2013	12	54899	BURNER BOX FRONT SECTION
	55607	HALOGEN LIGHT ASSY, 120V, AFTER 1/1/2013	13	54898	INSULATION RETAINER
4	8646	BAFFLE SUPPORT BRACKET (SET OF 4)	14	33088	TEMPERATURE PROBE CLIP, BEFORE 1/1/2013
5	19081	RACK SUPPORT KIT (SET OF 2)		19751	TEMPERATURE PROBE CLIP AFTER 1/1/2013
6	18768	OVEN RACKS QTY 5 PER OVEN	15	55213	INSULATION RETAINER, LINER BOTTOM DEFLECTOR
			16	33147	WHEEL PULLER, USED TO REMOVE BLOWER WHEEL

# INTERIOR COMPONENTS



<b>Ref. No.</b>	<b>Part No.</b>	<b>Description</b>
1	39989	AIR TUBE, BY THE INCH
2	54896	AIR BOX ASSEMBLY
3	19086	GROMMET
4	19087	GROMMET
5	19087	GROMMET
6	22301	COOLING FAN
7	53812	FAN HOUSING
8	39108	7 POSITION TERMINAL BLOCK
9	38605	3 POSITION TERMINAL BLOCK W/GROUND
10	M0571	FAN GUARD
11	36230	FLEX TUBE

# ACCESSORIES



<b>Ref. No.</b>	<b>Part No.</b>	<b>Description</b>
	33196	SEISMIC LEGS, 6" SET OF 4
1	8598	LEGS, 25" W/FEET SET OF 4
2	8600	LEGS, 6" SET OF 4
	16002	CASTERS, FOR SGL OVEN
3	5779	CASTERS, PLATE, FOR DBL OVEN
	19528	CASTERS, LOW PROFILE, FOR DBL OVEN
4	35048	BACKPIPE, DBL
6	54749	FLUE BOX
7	54750	FLUE BOX GUARD
8	55078	FLUE RISER
	56341	DOUBLE STACK VENTING KIT (INCLUDED STACKING HARDWARE)
	57123	SINGLE SECTION VENTING KIT
5	57355	DIRECT VENT BOX W/HDWE (DRAFT HOOD)