



**COS-201
NON SELF FLUSHING COMBI OVEN
REPLACEMENT PARTS LIST**

EFFECTIVE FEBRUARY 1, 2012

Superseding All Previous Parts Lists.

The Company reserves the right to make substitution in the event that items specified are not available.

ERRORS: Descriptive and/or typographic errors are subject to correction.

BLODGETT OVEN COMPANY

44 Lakeside Avenue, Burlington, Vermont 05401 USA Telephone: (802) 658-6600 Fax: (802) 860-3732
www.blodgett.com

P/N 55190 Rev A

TABLE OF CONTENTS

CONTROL PANEL	3
CONTROL PANEL - MEAT PROBE	4
DOOR COMPONENTS	5
ELECTRICAL COMPONENTS	8
MOTOR COMPONENTS	10
INTERIOR COMPONENTS	11
STEAM GENERATOR COMPONENTS	12
PLUMBING COMPONENTS	13

OVENS WITH SERIAL NUMBERS BEGINNING WITH:

201

HL

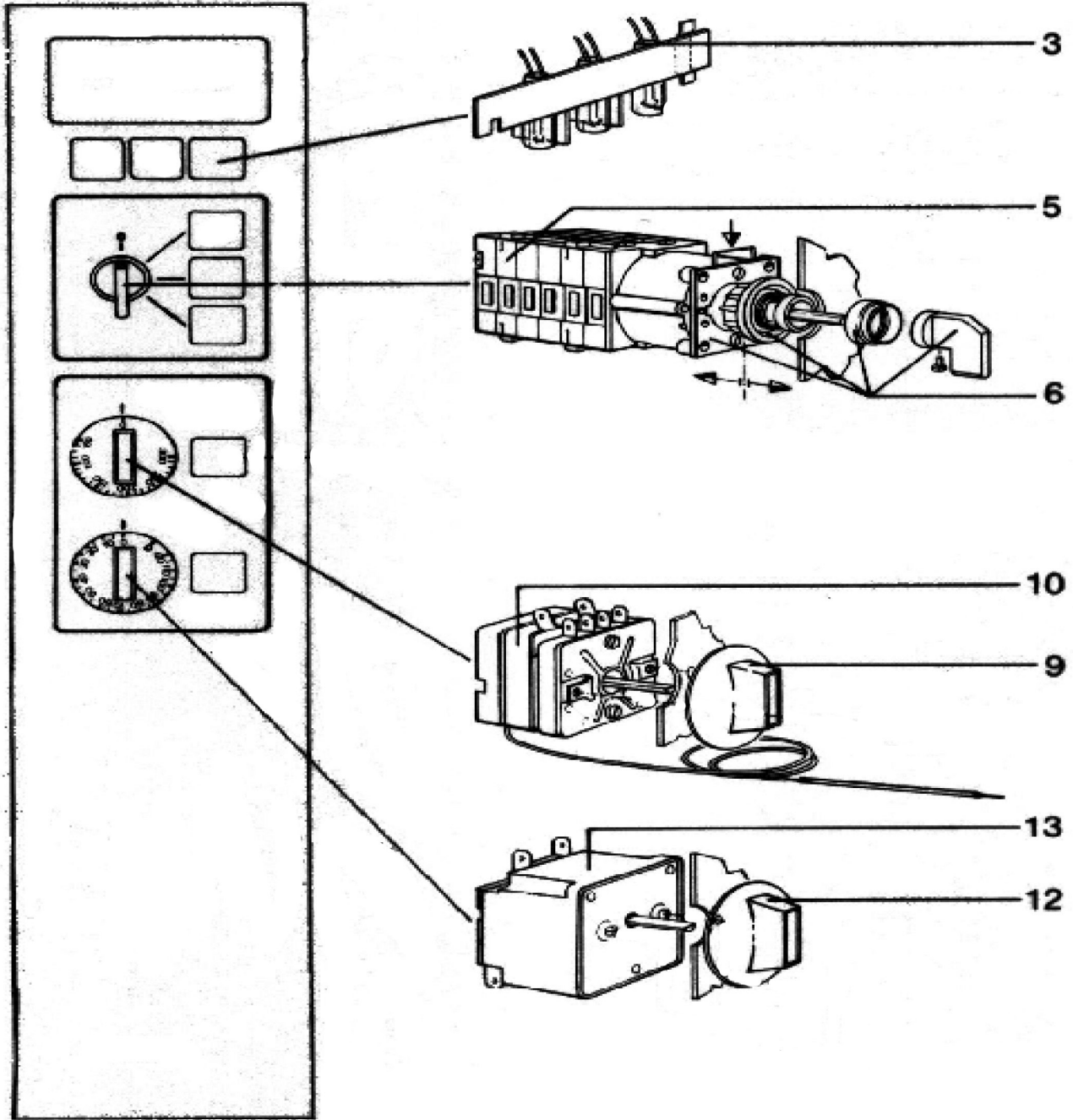
TO OBTAIN LITERATURE:

Email: literature@blodgett.com

or visit

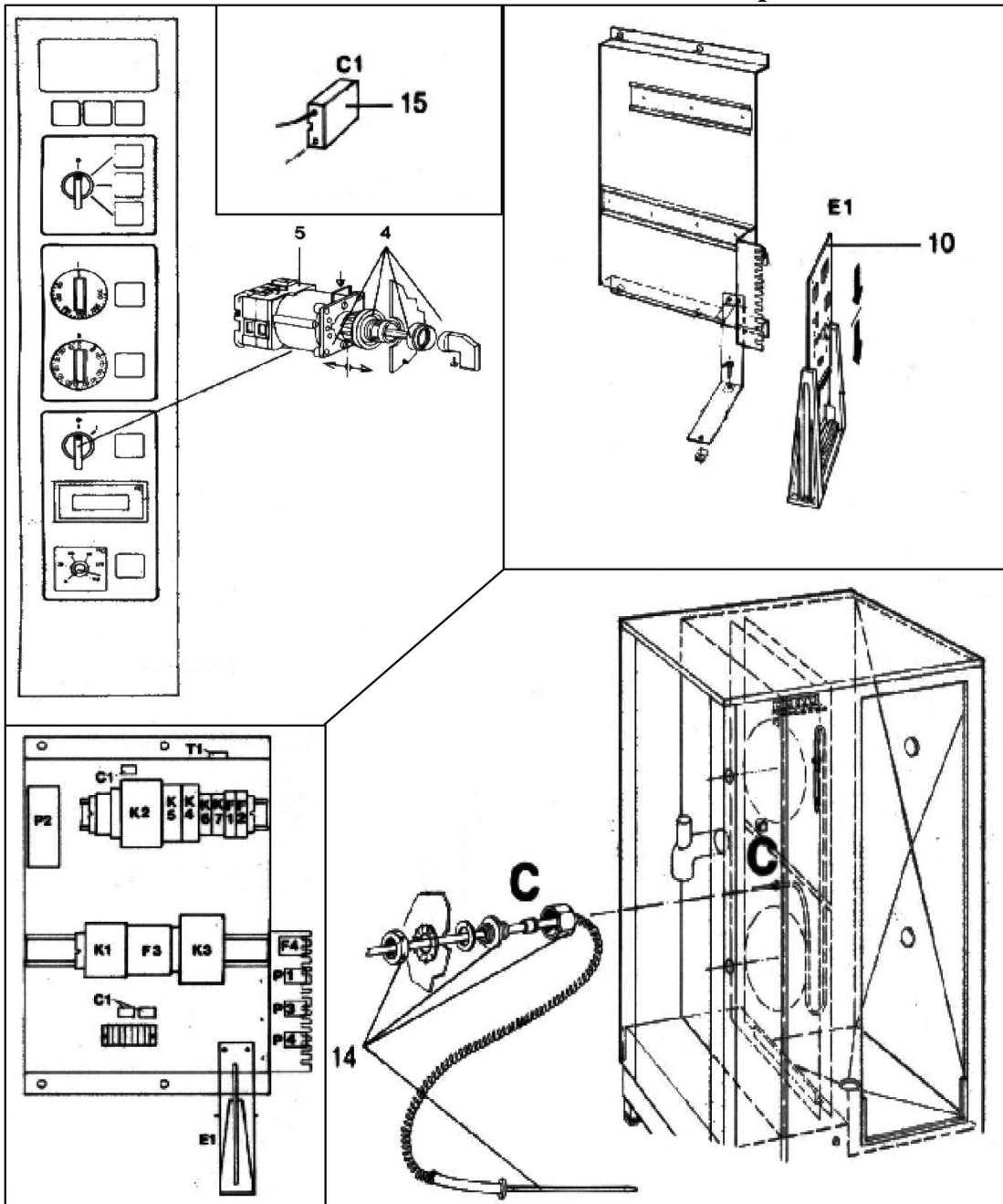
www.blodgett.com

CONTROL PANEL



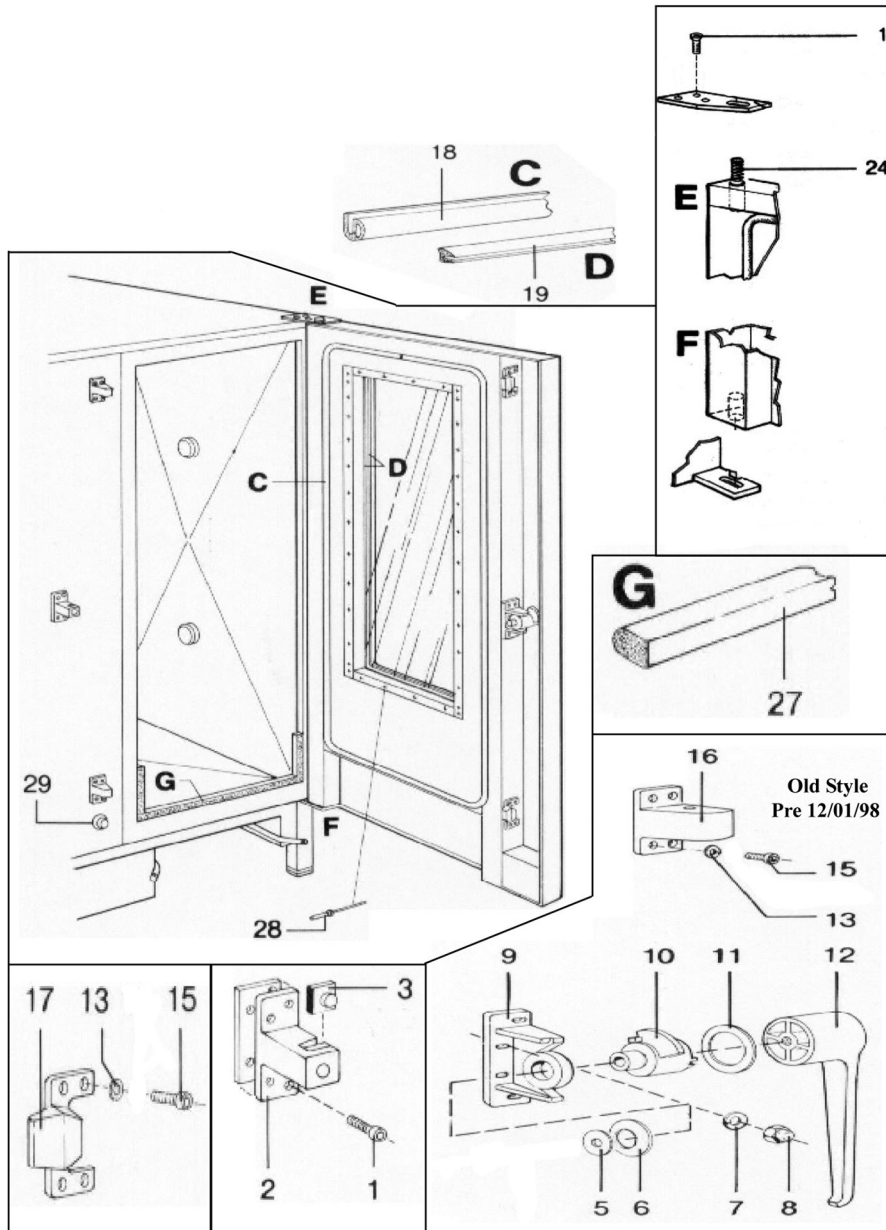
Ref. No.	Part No.	Description
3 *	R0135	Socket, control lamp (For use on very early models)
	R0226	Indicator light, clear
	R1318	Indicator light, green
5	R0069	Mode Switch, 4 position, S2
6	R0364	Knob, mode switch w/ring
9	R0116	Knob, Thermostat
10	R1178	Thermostat, hot air w/knob & screws P5
12	R0115	Knob, Timer
13	R1182	Timer, 100 minutes w/knob & screws

CONTROL PANEL WITH MEAT PROBE



Ref. No.	Part No.	Description
4	R0364	Knob assy, on/off switch (Pre 1986)
5	R4622	Switch, on/off meat probe S5 (Pre 1986)
	R5686	Switch, on/off meat probe (After 1986)
	R0149	Thermostat, meat probe 240V (Pre 1986)
	R6746	Retrofit kit, meat probe controller (Pre 1986)
	R5242	Controller only, meat probe (After 1986)
1	R5317	Retrofit kit, sensor spiral to plug in type
	R5315	Sensor, meat probe plug in type (After 1986)
	R5219	Panel jack, sensor plug in
15	R0038	Suppressor, arc meat probe C1

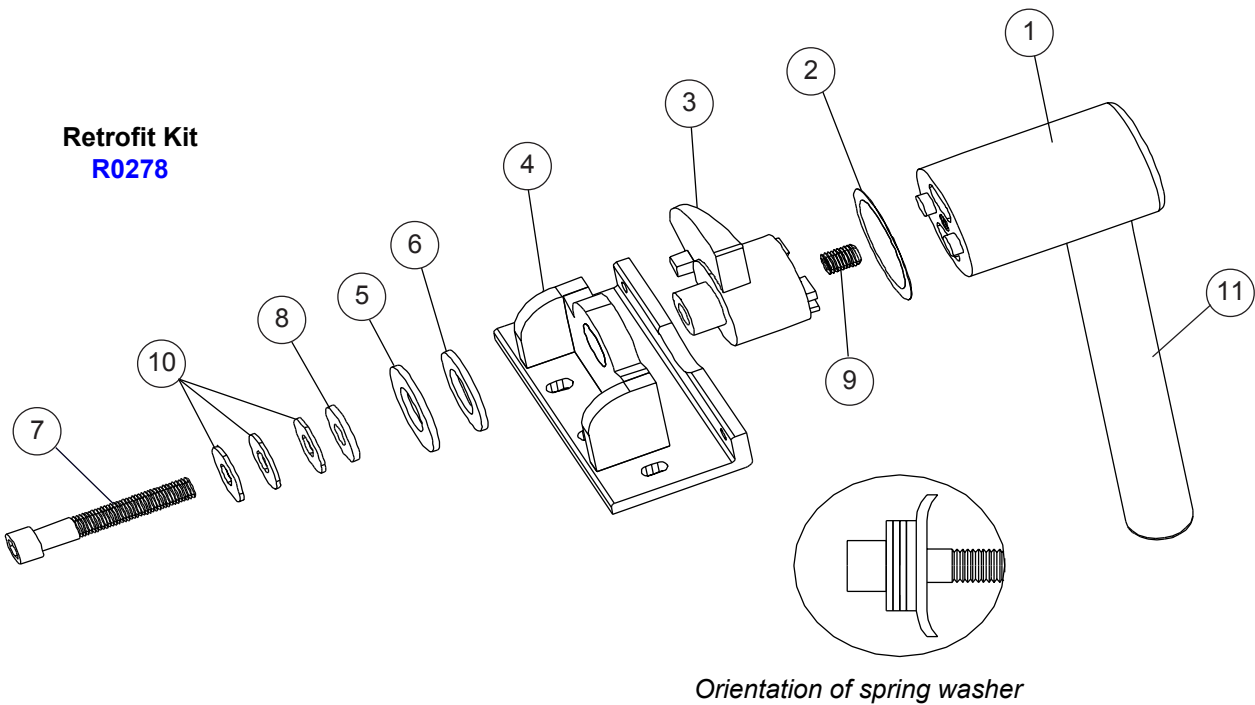
DOOR COMPONENTS



Ref. No.	Part No.	Description	Ref. No.	Part No.	Description
1	R0015	Screw, socket countersunk	15	R0016	Screw, hex socket head cap, door catch
2	R0274	Catch, door (w/hardware)	16	R0922	Roller catch, female (on oven)
3	R1009	Insert, plastic door catch	17	R0923	Roller catch, male (on door)
5	R1079	Washer, door handle, flat (Pre 120198)	18	R0280	Gasket, door
6	R1080	Spring disc, door handle (Pre 120198)	19	R2105	Gasket, door glass (per foot)
7	R0271	Washer, door handle (Pre 120198)	27	R0432	Gasket, transport cart seal (per foot)
8	R0269	Nut, door handle hex (Pre120198)		R6979	Guard, door gasket
9	R6899	Base mounting, door handle (Pre120198)	28	R1472	Rivets, 1/8" for window frame
10	R1082	Cam door handle (Pre 120198)	29	R0225	Switch, door
11	R1083	Washer, door handle plastic (Pre 120198)		R1109	Grommet, door switch
	R0278	Retrofit kit, door handle (After 120198)		R0937	Pin, actuator on door
	R8150	Handle assy, door (After 120198)			
13	R0042	Washer, door catch			

DOOR HANDLE ASSEMBLY

MANUFACTURED AFTER 12/01/98

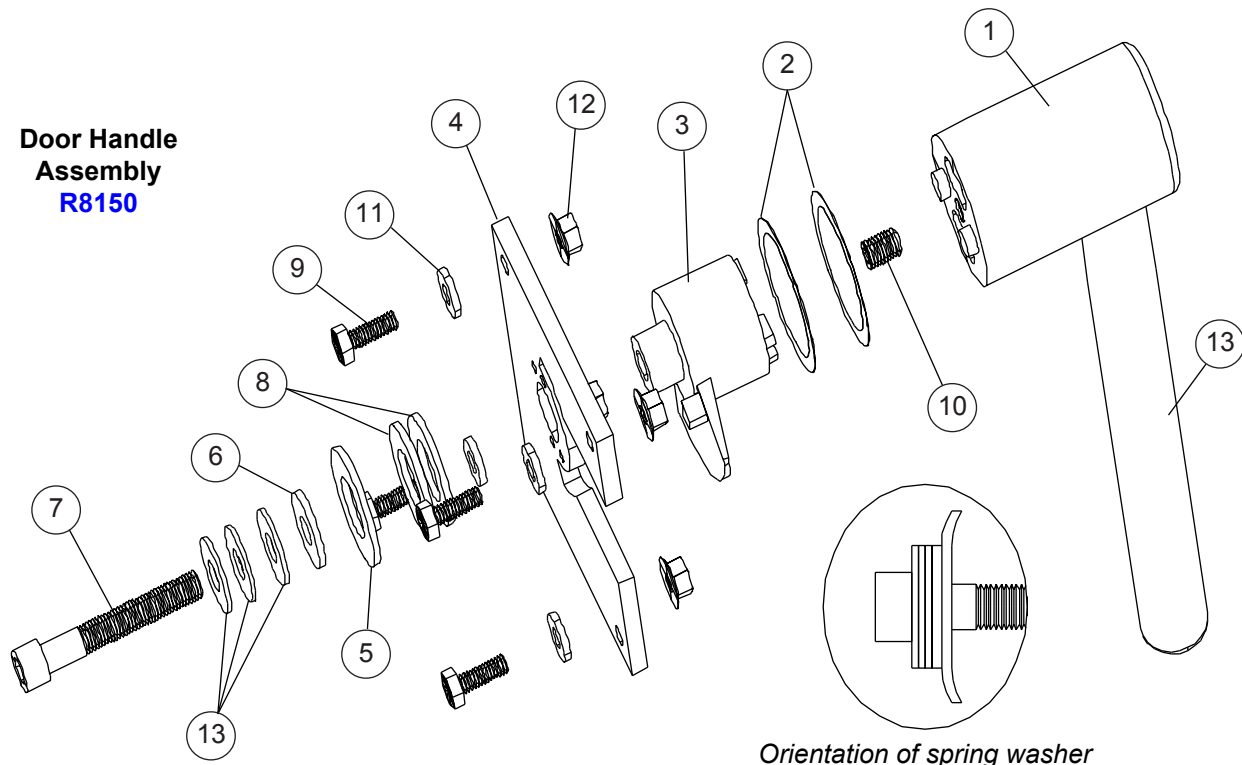


Ref. No.	Part No.	Description
1	R7889	Support, door handle
2	R1083	Washer, acetal 1.625 ID x 2.040 OD
3	R1082	Cam, door handle
4	R6899	Base, mounting
5	R1080	Spring, disc .8 ID x 1.6 OD
6	R1079	Washer, flat .8 ID x 1.5 OD s/s
7	R7942	Screw, socket head 3/8-16 x 2-1/2"
8	R7867	Washer, nickle plated brass, .392 ID x 1 OD
9	R8149	Screw, set 3/8-16
10	R2292	Washer, flat 3/8
11	R7888	Handle

DOOR HANDLE ASSEMBLY

MANUFACTURED BEFORE 12/01/98

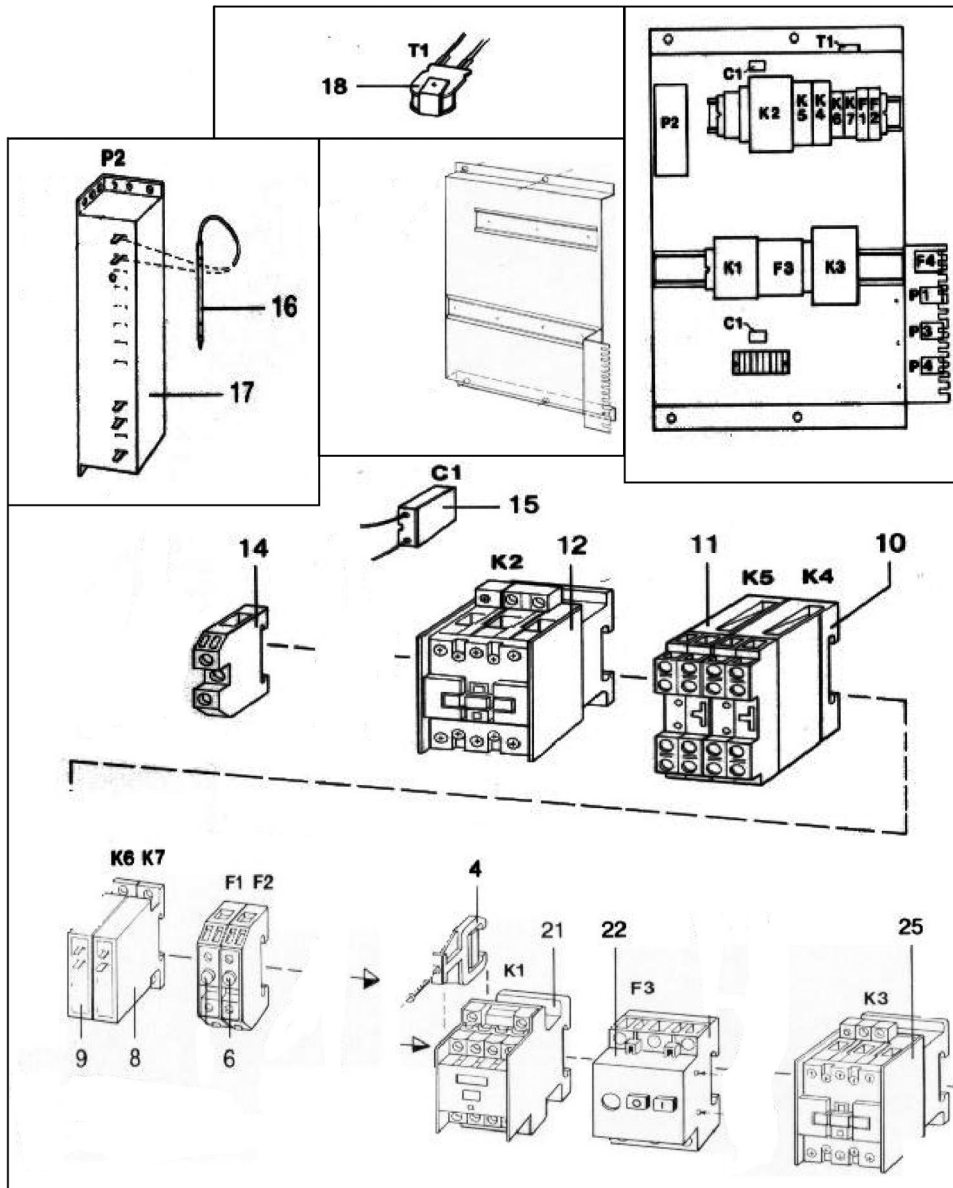
Door Handle
Assembly
R8150



Orientation of spring washer

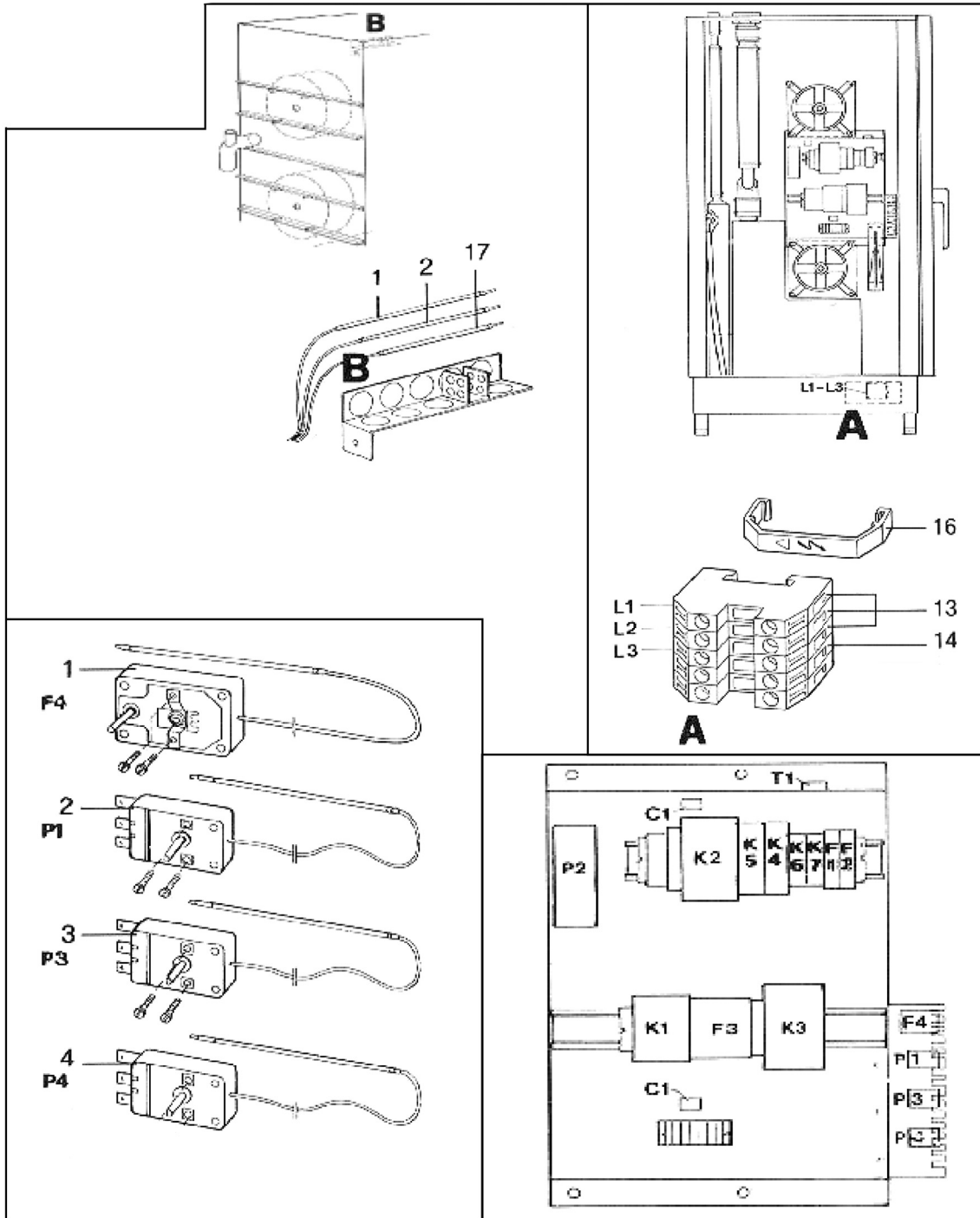
Ref. No.	Part No.	Description
1	R7889	Support, door handle
2	R1083	Washer, acetal 1.625 ID x 2.040 OD
3	R1082	Cam, door handle
4	R7944	Plate, latch mount
5	R1080	Spring, disc .8 ID x 1.6 OD
6	R7867	Washer, nickle plated brass, .392 ID x 1 OD
7	R7942	Screw, socket head cap 3/8-16 x 2-1/2"
8	R1079	Washer, flat .8 ID x 1.5 OD s/s
9	3136	Bolt, hex head 1/4-20 x 3/4"
11	R0733	Washer, flat 1/4
12	R8216	Nut, serrated flange hex 1/4-20
13	R7888	Handle

ELECTRICAL COMPONENTS



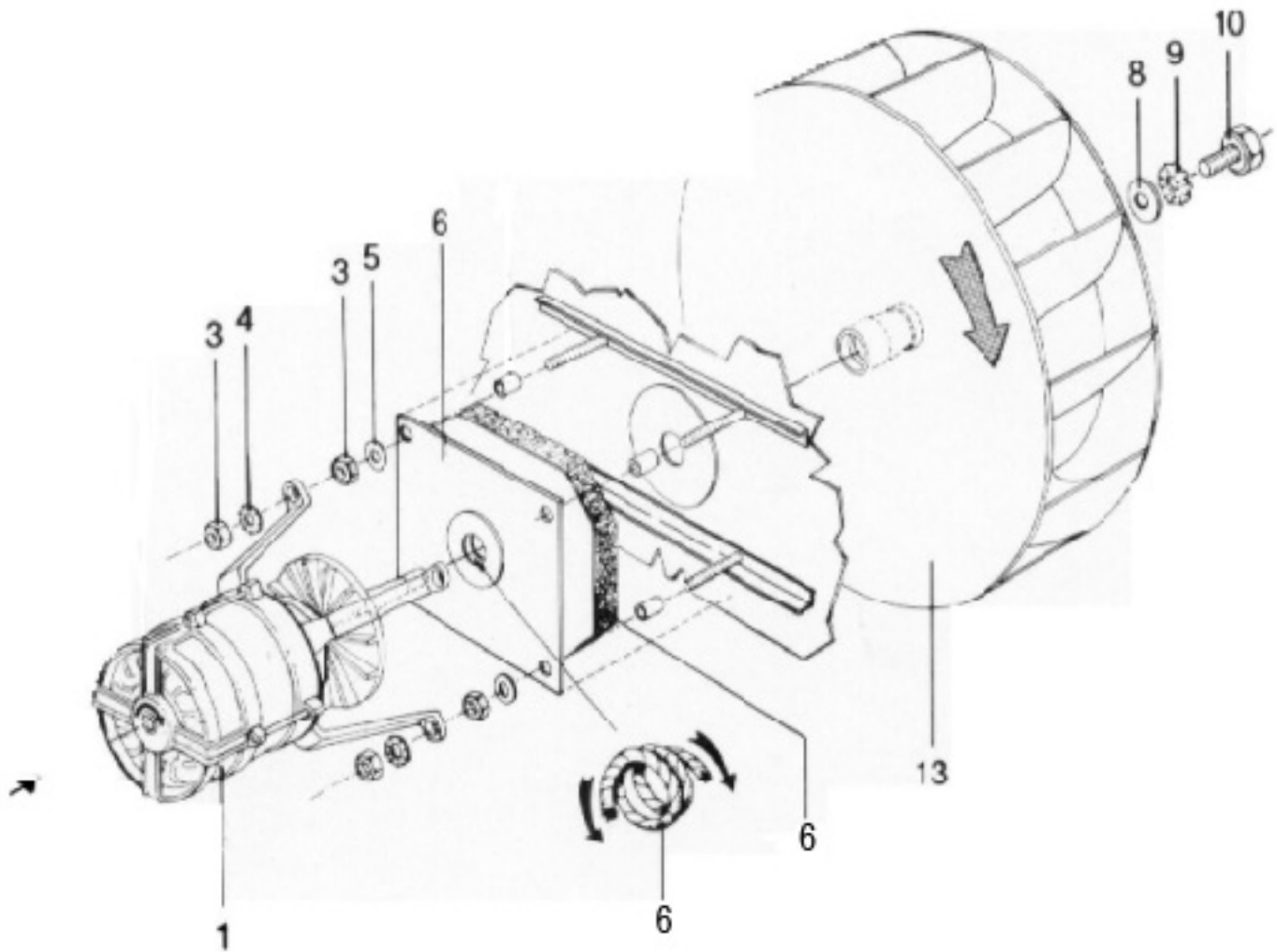
Ref. No.	Part No.	Description	Ref. No.	Part No.	Description
	R0046	Holder, fuse 1 amp		R0154	Contactora, mechanical, air or steam, 240V, K2 K3, 30 amp
	R1581	Holder, fuse 2 amp		R1571	Contactora, mercury, hot air or steam
	R1581	Holder, fuse 3 amp push in type		R1586	Terminal block, grey power
	R0029	Holder, fuse 6 amp		R6988	Suppressor, contactora coil, C1
6	R0293	Fuse, .5 amp fine wire	14	R0022	Sensor, temperature, steam P2
	R5773	Fuse, 1 amp 600V FNQR1	15	R1443	Controller, solid state steam P2
	R5774	Fuse, 2 amp 600V	16	R1440	Plastic channel, P2
	R0032	Fuse, 3 amp 300V SC3	17	R9498	Buzzer T1
	R0043	Fuse, 3 amp KTKR3	18	51692	Contactora, motor 208V, K1
	R0030	Fuse, 6 amp KTNR6	21	51693	Contactora, motor 240V, K1
8	R2506	Relay, time delay (Motor Start Delay) K7		R5833	Protector, motor PKAM w/Manual Reset F3
9	R7652	Relay, time delay (Blinker) K6	23084		Cooling fan, axial
10	R2506	Relay, time delay (Low Water) K4	M0572		Plug/cord, cooling fan
11	R2506	Relay, time delay (Generator Fill) K5			
	R0143	Contactora, mechanical, air or steam, 240V, K2 K3, 60 amp			

ELECTRICAL COMPONENTS



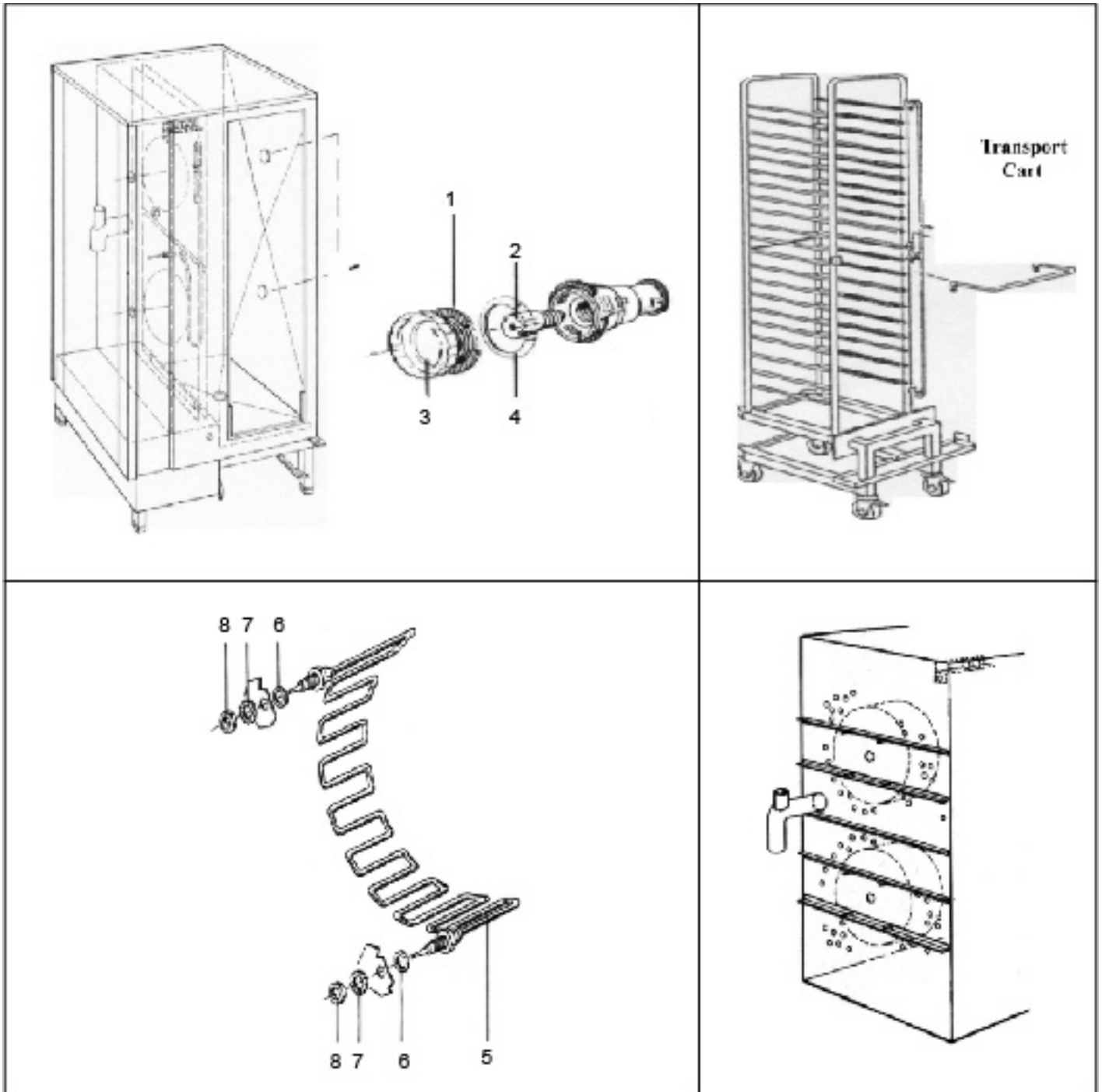
Ref. No.	Part No.	Description
1	R1573	Thermostat, Cooking Compartment F4
2	R0121	Thermostat, Too Hot To Steam, P1
3	R0118	Thermostat, Pre Heat Priority, P3
4	R0122	Thermostat, Quench, P4
13	R1586	Terminal Block, Power
14	R1586	Terminal Block, Power
17	R1178	Thermostat, hot air P5

MOTOR COMPONENTS



<u>Ref. No.</u>	<u>Part No.</u>	<u>Description</u>
1	R0092	Motor, 208/240V, 3ph
	R0079	Motor, 240V, 1ph
	R0081	Motor, 480V, 3ph
	R3025	Heat slinger, motor
3	R0037	Nut, hex motor mounting
4	R0039	Washer, toothed lock
5	R0231	Washer
6	R2328	Packing, motor shaft
8	R0232	Washer, blower wheel
9	R0233	Washer, toothed lock, blower wheel
10	R0034	Screw, hex, blower wheel
13	R1028	Blower wheel

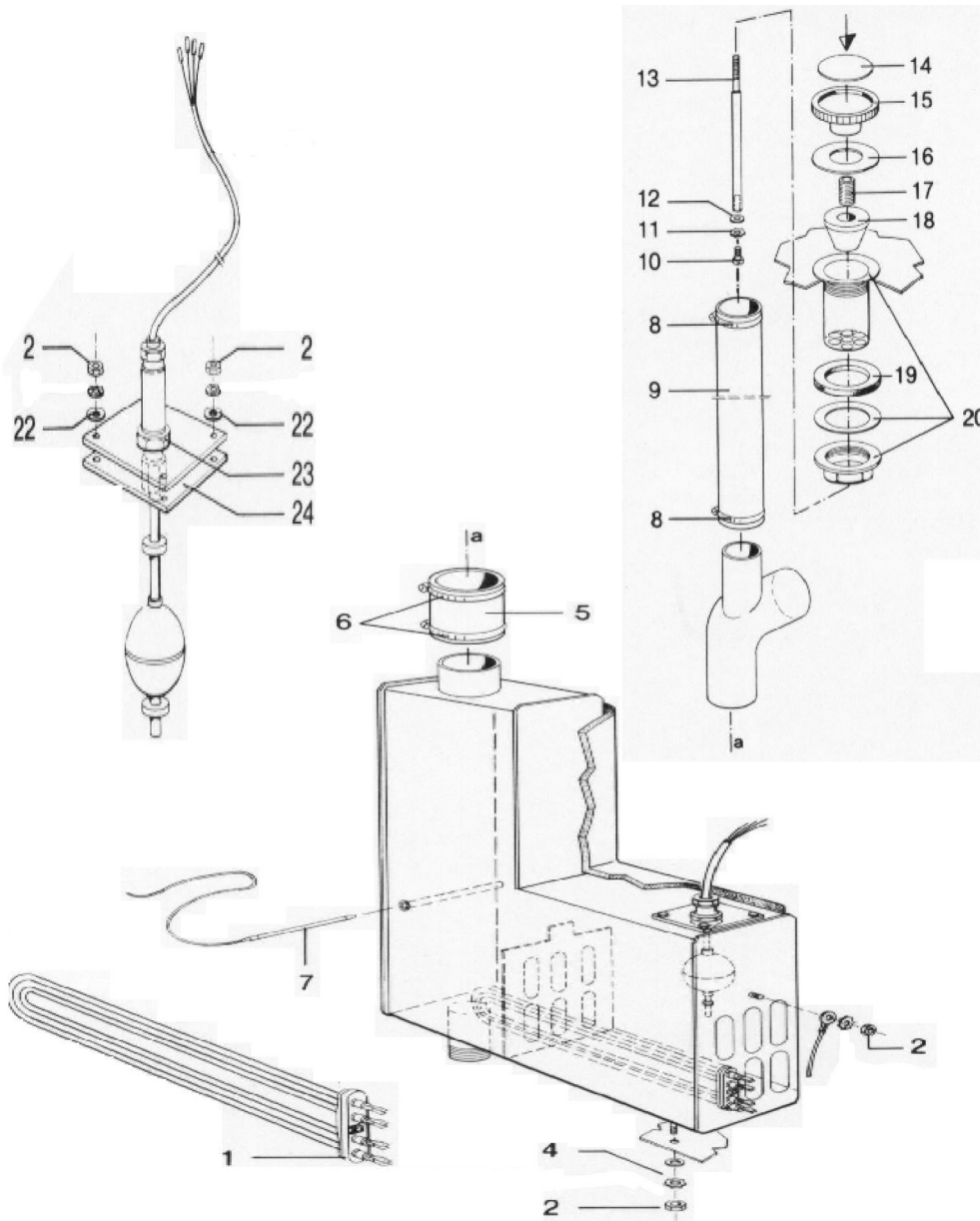
INTERIOR COMPONENTS



<u>Ref. No.</u>	<u>Part No.</u>	<u>Description</u>
	R0131	Interior lamp, complete
1	R1497	Gasket, lamp lens
2	R0133	Bulb, heat-resistant
3	R1496	Lens, lamp
	R1498	Lens assy, w/gasket
	R2212	Tool, new style light lens

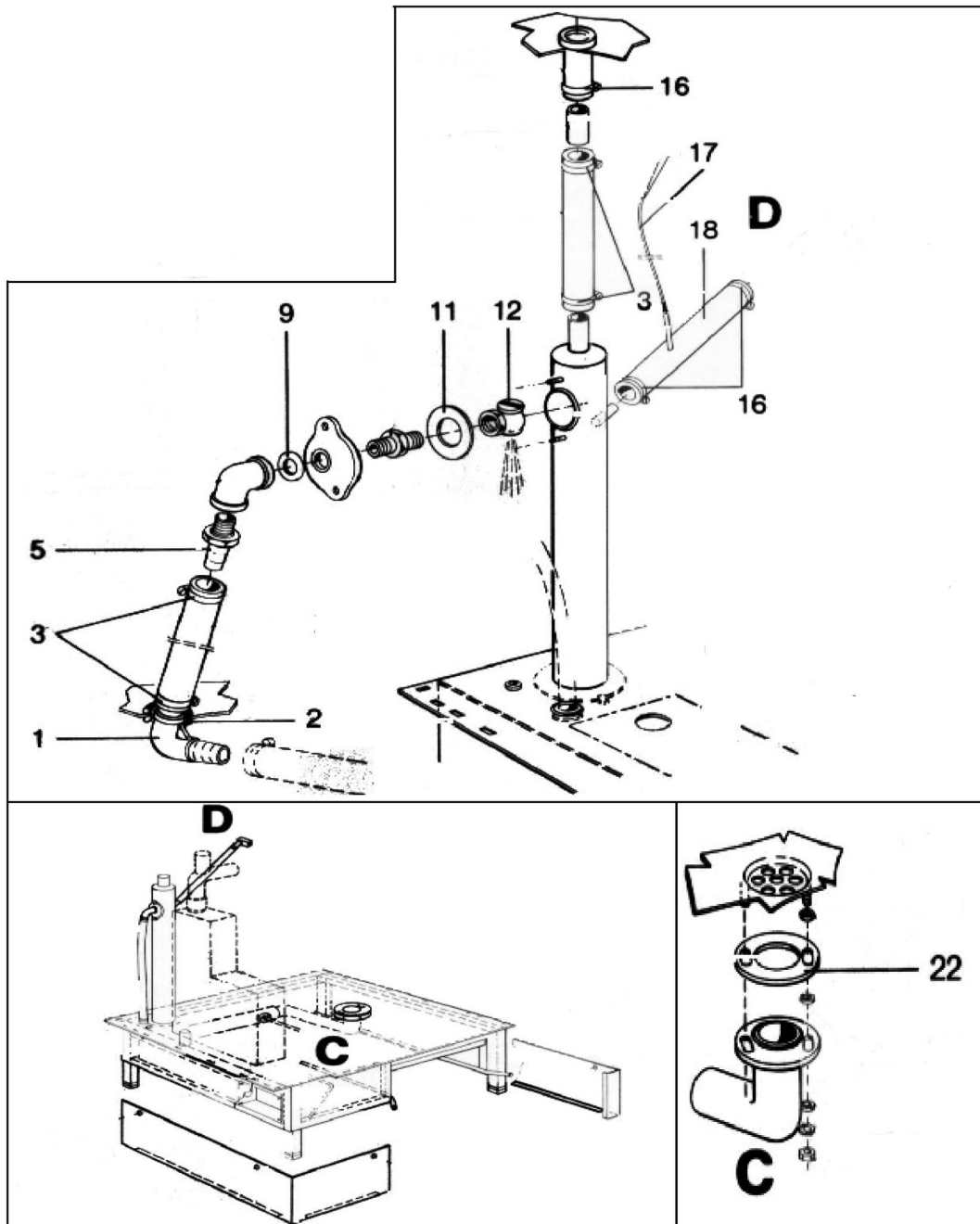
<u>Ref. No.</u>	<u>Part No.</u>	<u>Description</u>
4	R0132	Socket, lamp
5	R3649	Element, hot air 208V
	R3650	Element, hot air 240V
	R3651	Element, hot air 480V
6	R0098	Washer, copper
7	R0099	Washer, toothed lock
8	R0100	Nut, hex

STEAM GENERATOR COMPONENTS



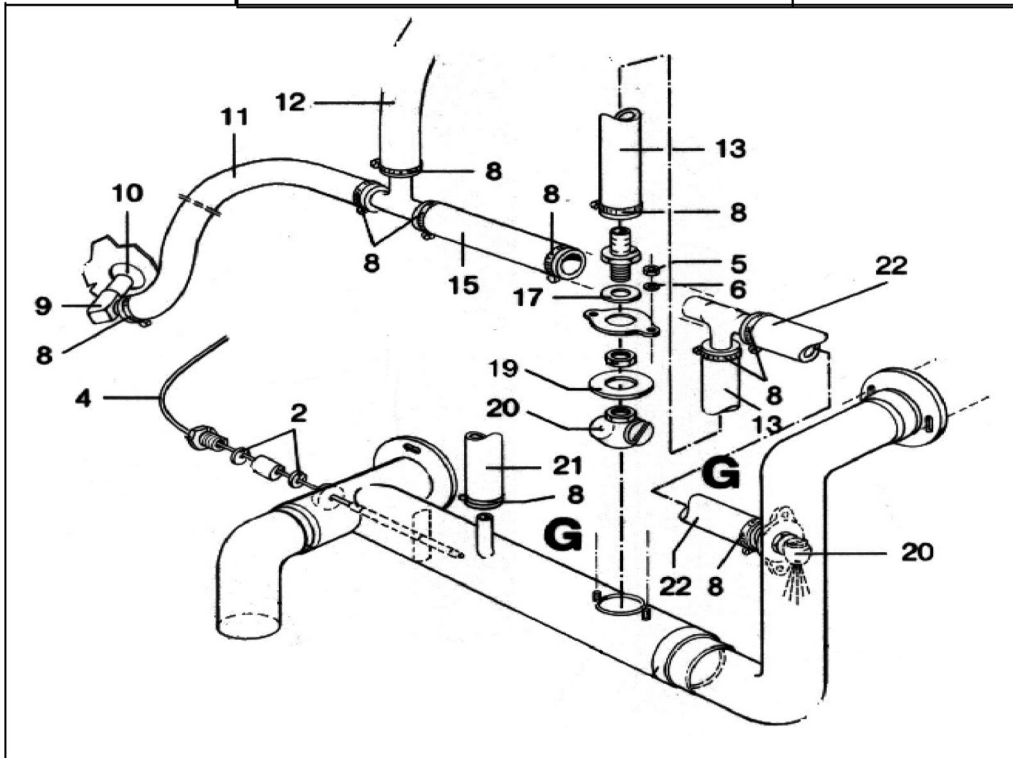
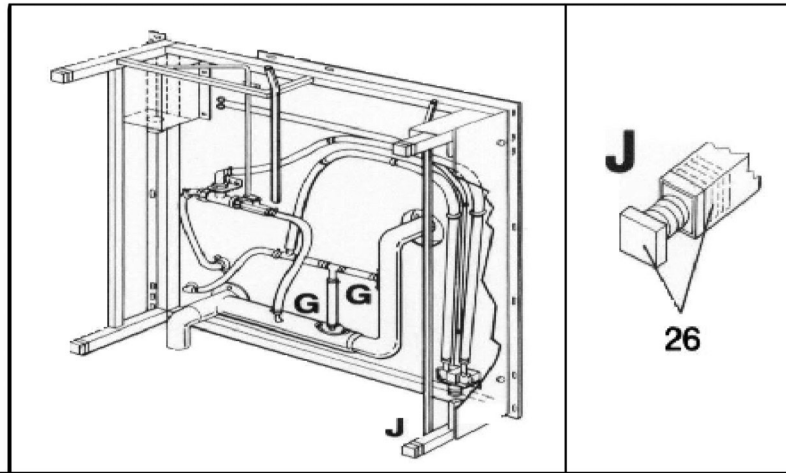
Ref. No.	Part No.	Description	Ref. No.	Part No.	Description
	R0207	Valve assy, decalcifier inlet	12	R0207	Washer
1	R2768	Element Assy, Steam 208V 3kw	13	R0207	Guide bar
	R2771	Element Assy, Steam 240V 3kw	14	R0207	Cover, plate aluminum
	R2770	Element Assy, Steam 480V 3kw	15	R0207	Handle, plastic, safety valve
2	R0035	Nut, hex switch plate	16	R0207	Gasket
4	R0733	Washer, flat strap	17	R0207	Thread insert
5	R2814	Hose, steam outlet 1-3/8" ID (per foot)	18	R0207	Cone, safety valve
6	R0082	Clamp, hose	19	R0207	Gasket
7	R0118	Thermostat, Pre Heat Priority P3	20	R0207	Valve body, safety
	R1480	Thermostat, high limit (snap disc)		R8397	Level Switch Assy Retrofit
	R2630	Thermostat, high limit (capillary bulb)		R0920	Plate, float switch
8	R0082	Clamp, hose		15882	Nut, hex 1/4-20 level switch plate
9	R2814	Hose, 1-3/8" ID (per foot)	22	1265	Washer
10	R0207	Screw, hex socket head	23	R0071	Nut, hex switch plate
11	R0207	Washer, spring	24	R1491	Gasket, float switch

PLUMBING COMPONENTS



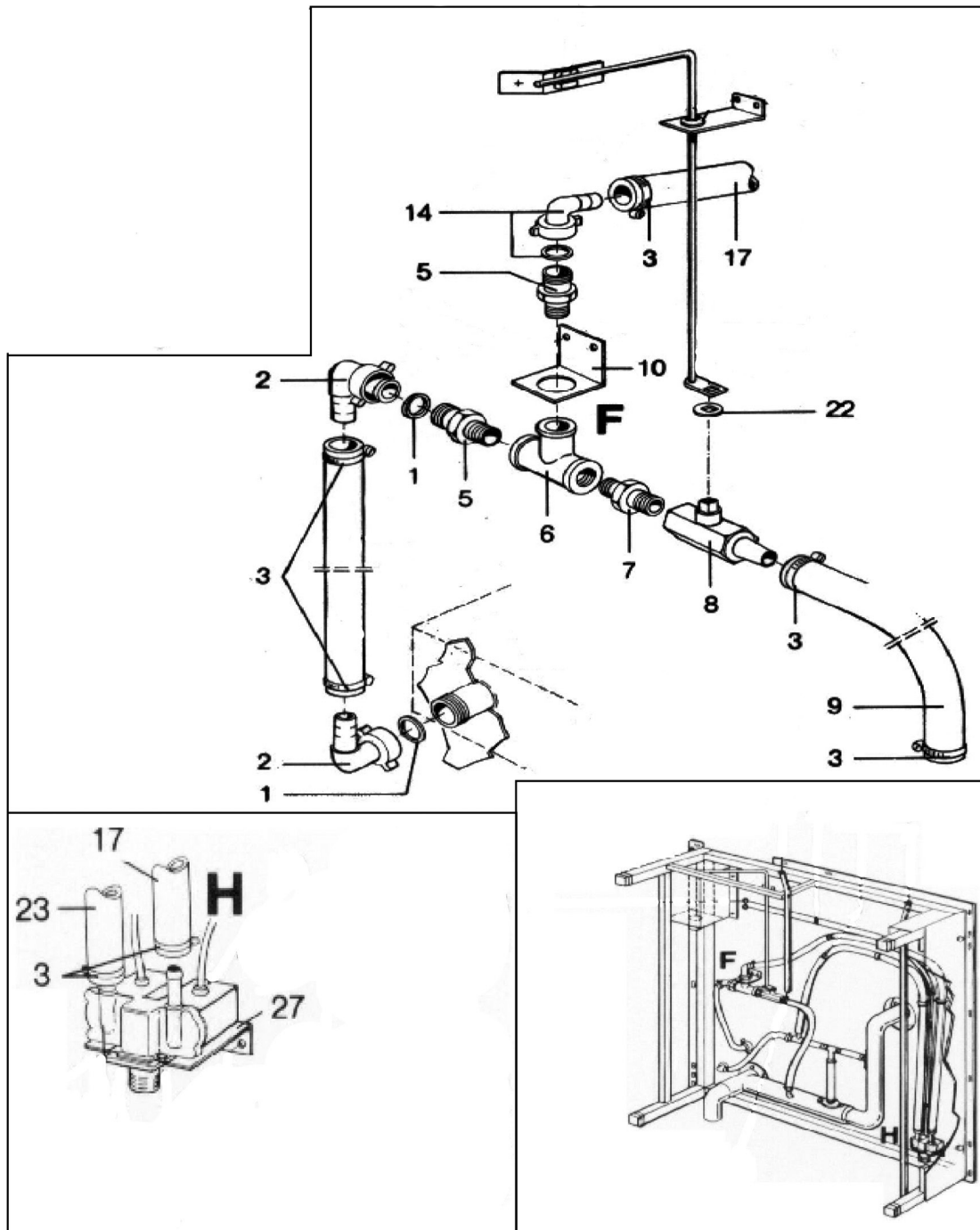
Ref. No.	Part No.	Description
1	R1086	Elbow, fitting
2	R1085	Washer, elbow
3	R0080	Clamp, hose
5	R5071	Fitting, hose 3/8"
9	R0068	Gasket
11	R3755	Gasket
12	R0062	Nozzle, quench
	R0061	Nozzle, quench
16	R0082	Clamp, hose
17	R0022	Sensor, steam controller P2
18	R2814	Hose, silicon 42mm (per foot)
22	R1672	Gasket, drain

PLUMBING COMPONENTS



<u>Ref. No.</u>	<u>Part No.</u>	<u>Description</u>
8	R0080	Clamp, hose
9	R1085	Elbow, fitting 3/4"
10	R1086	Seal ring, elbow fitting
11	R2812	Hose, 10mm (per foot)
12	R2812	Hose, 10mm (per foot)
13	R2812	Hose, 10mm (per foot)
15	R2812	Hose, 10mm (per foot)
17	R0068	Gasket
19	R3755	Gasket
20	R0062	Nozzle, quench
	R0061	Nozzle, quench
21	R2812	Hose, 10mm (per foot)
22	R2812	Hose, 10mm (per foot)
26	R0070	Foot, adjustable

PLUMBING COMPONENTS



Ref. No.	Part No.	Description
1	R1086	Sealing ring, elbow fitting
2	R1085	Elbow fitting
3	R0080	Clamp, hose
5	R1918	Nipple, 1/2" x 3/4"
7	R1918	Double nipple, 1/2"
8	R0075	Ball Valve
9	R2812	Hose, 10mm (per foot)
10	R1918	Holder, T-fitting

Ref. No.	Part No.	Description
14	R0076	Elbow, generator drain valve
17	R2812	Hose, 10mm (per foot)
23	R2812	Hose, 10mm (per foot)
	R2522	Solenoid Valve, dual
	R2997	Solenoid Valve, Conversion kit single to double
27	R2567	Holder, double solenoid valve
	R2202	Boot, drain manifold connecting 2"
	R2207	Clamps, drain boot
	R11210	Pressure regulator