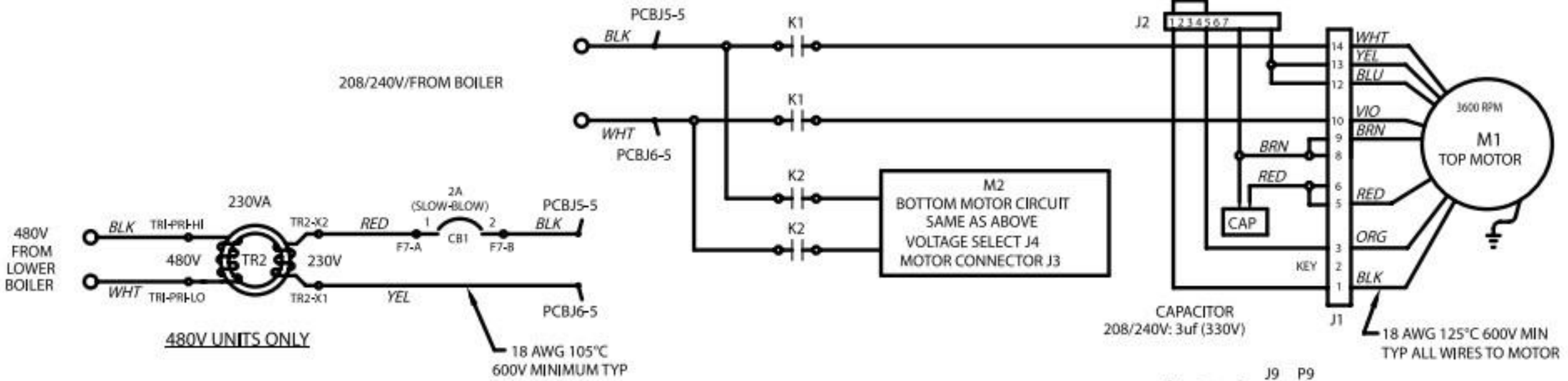
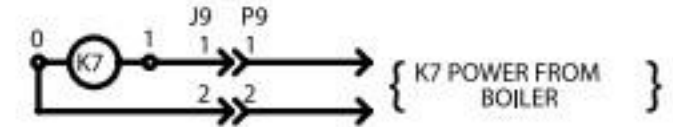


P/N 130701 REV D

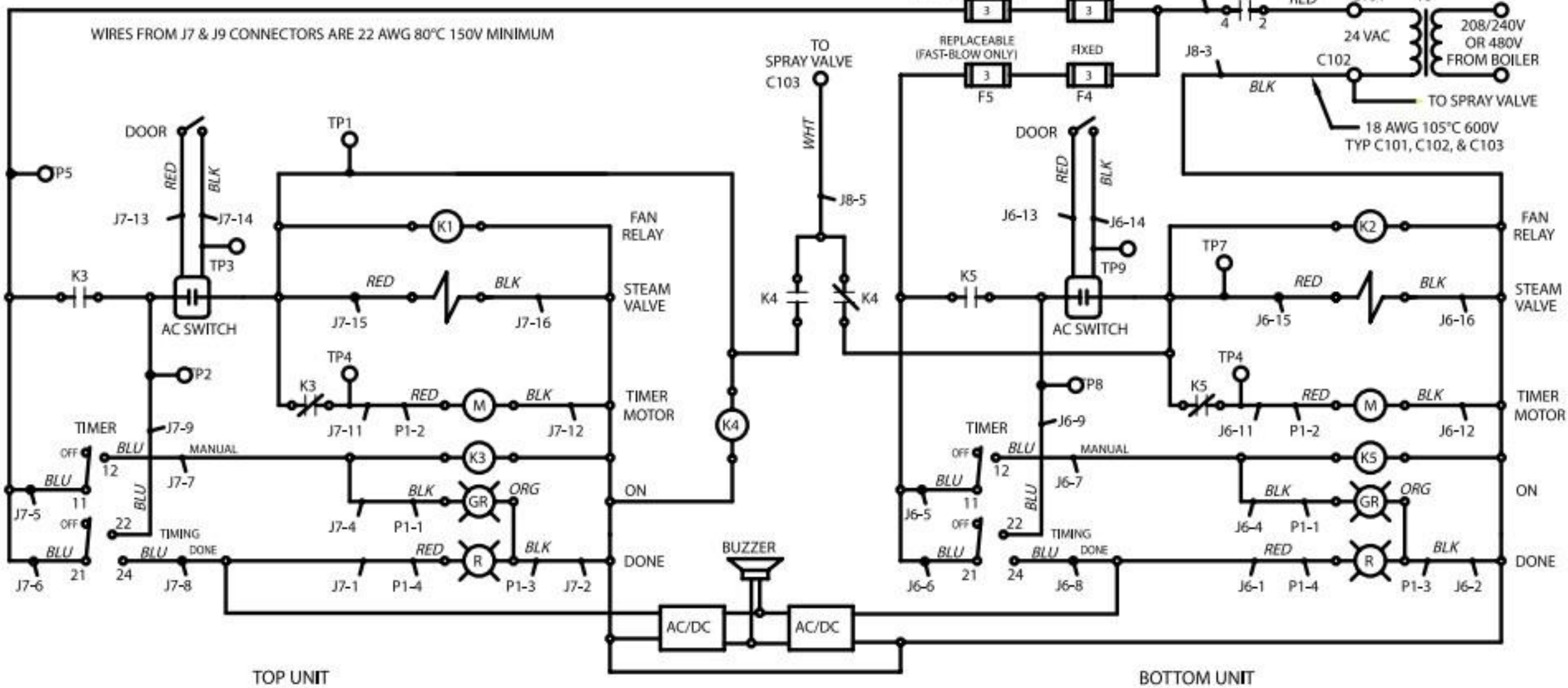
18 AWG 105°C 600V

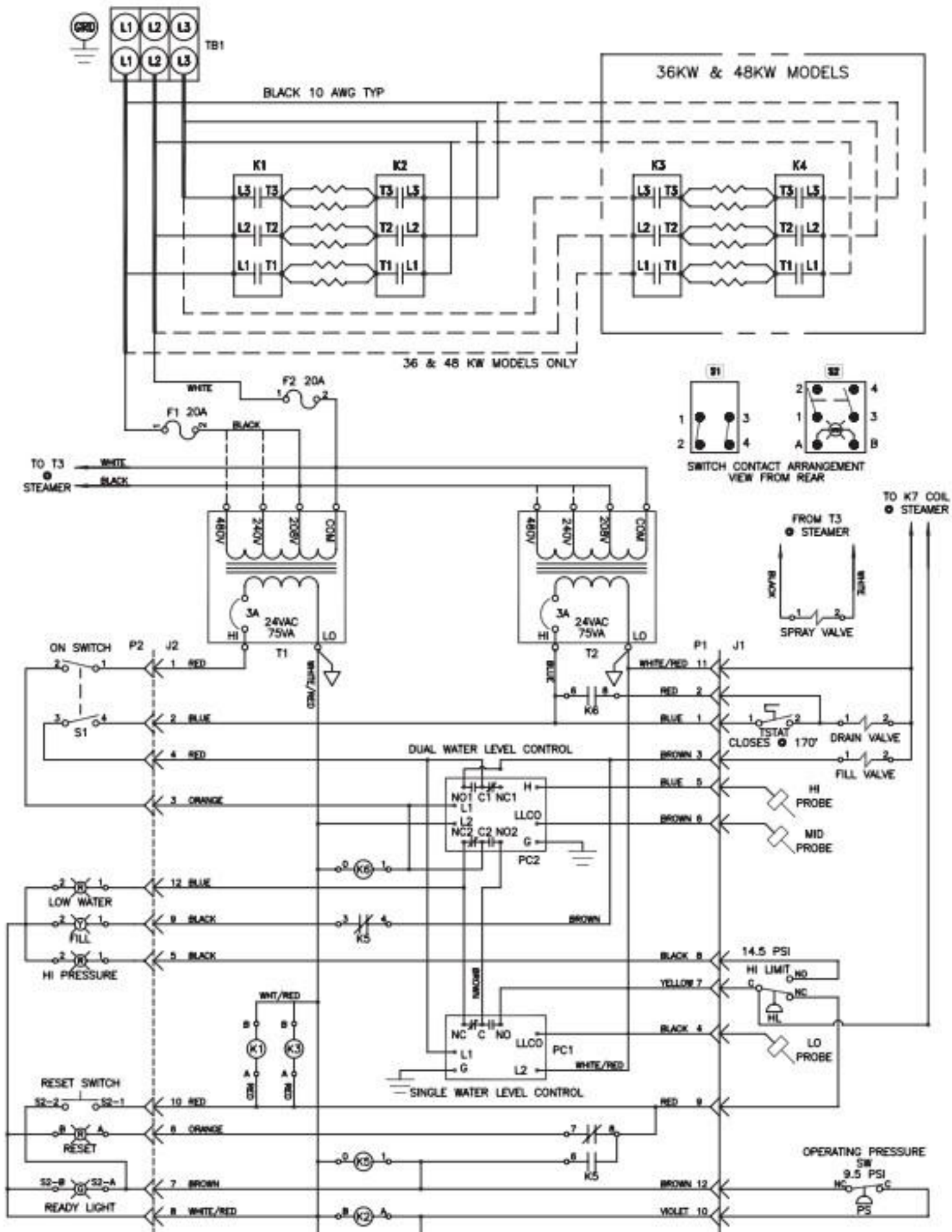


TERMINAL DESIGNATION:
J7-5 IS CONNECTOR J7 PIN #5



WIRES FROM J7 & J9 CONNECTORS ARE 22 AWG 80°C 150V MINIMUM





POWER	AMPS @208V	AMPS @240V	AMPS @480V
24KW (2 ELEMENTS)	67	58	29
36KW (3 ELEMENTS)	100	87	44
48KW (4 ELEMENTS)	133	116	58