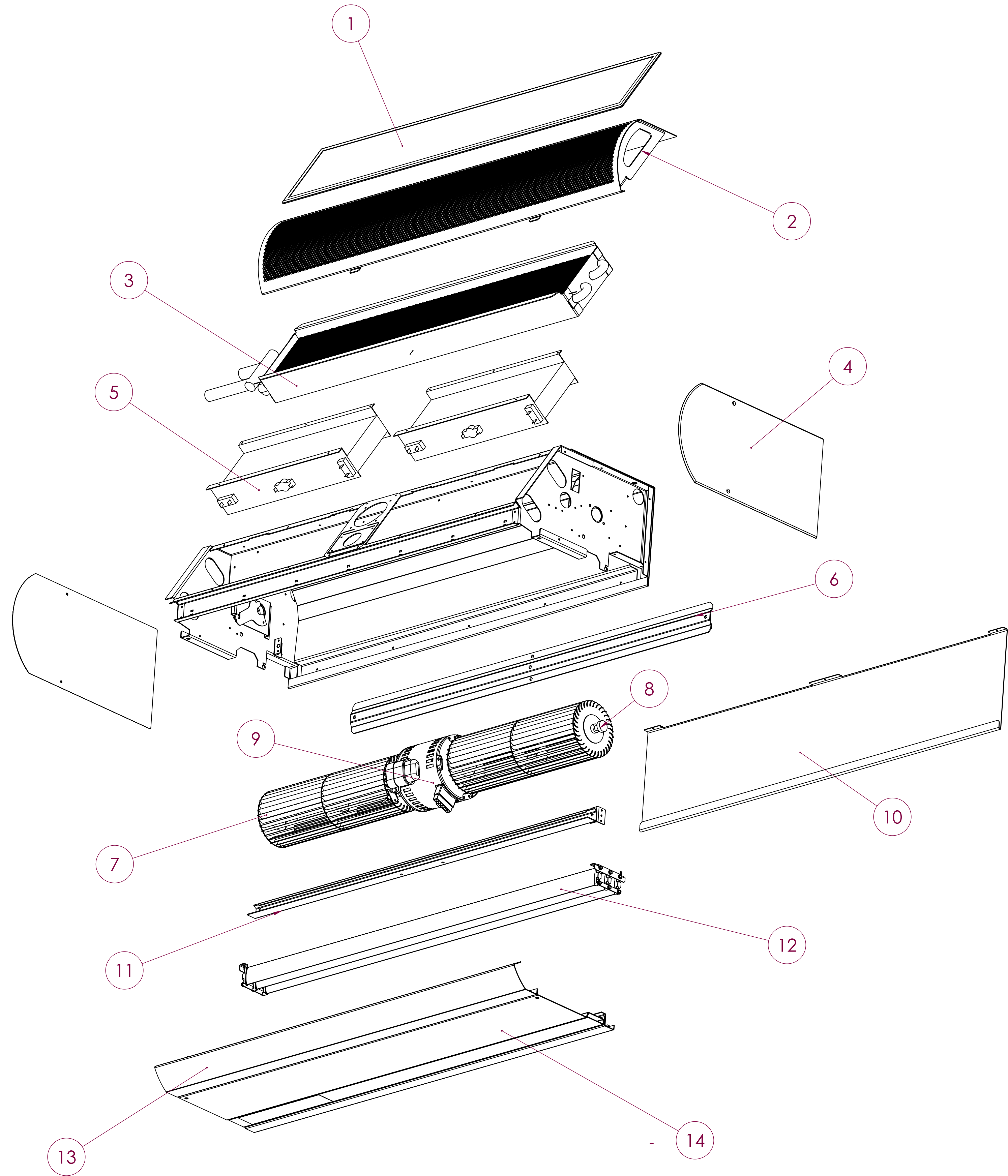


1	FILTER	AI08E**07-1F4
2	INLET SCREEN SUB ASSEMBLY	08AI08E***ISA-AA
3	HYDRONIC COIL	10S**06F110S
4	ENDCAP	40AI08E000CVR-U-MA
5	ELECTRIC HEATER - 14" 5.0kW 208V	11ZPR014B050D
5	ELECTRIC HEATER - 14" 5.0kW 240V	11ZPR014B050E
5	ELECTRIC HEATER - 14" 5.0kW 480V	11ZPR014B050H
5	ELECTRIC HEATER - 14" 5.0kW 600V	11ZPR014B050I
5	ELECTRIC HEATER - 20" 5.4kW 208V	11ZPR020B072E
5	ELECTRIC HEATER - 20" 5.4kW 240V	11ZPR020B072H
5	ELECTRIC HEATER - 20" 7.2kW 208V	11ZPR020B072D
5	ELECTRIC HEATER - 20" 7.2kW 240V	11ZPR020B072E
5	ELECTRIC HEATER - 20" 7.2kW 480V	11ZPR020B072H
5	ELECTRIC HEATER - 20" 7.2kW 600V	11ZPR020B072I
6	WALL MOUNTING PLATE	40AI08E***WMP
7	TANGENTIAL FAN - LEFT	29T450S012A-L**
8	TANGENTIAL FAN - RIGHT	29T450S012A-R**
9	MOTOR	022F5042F1X18C
10	TRANSVERSE	40AI08E***TR
11	REAR DECORATIVE COVER	40AC08E***RDC-AA
12	VANE SUB ASSEMBLY	06AE08E***NVA
13	FRONT COVER	40AI08E***FC
14	BOTTOM ACCESS COVER	40AI08E***BAC

REVISIONS			
REV.	DESCRIPTION	DATE	APPROVED
-	-	-	-



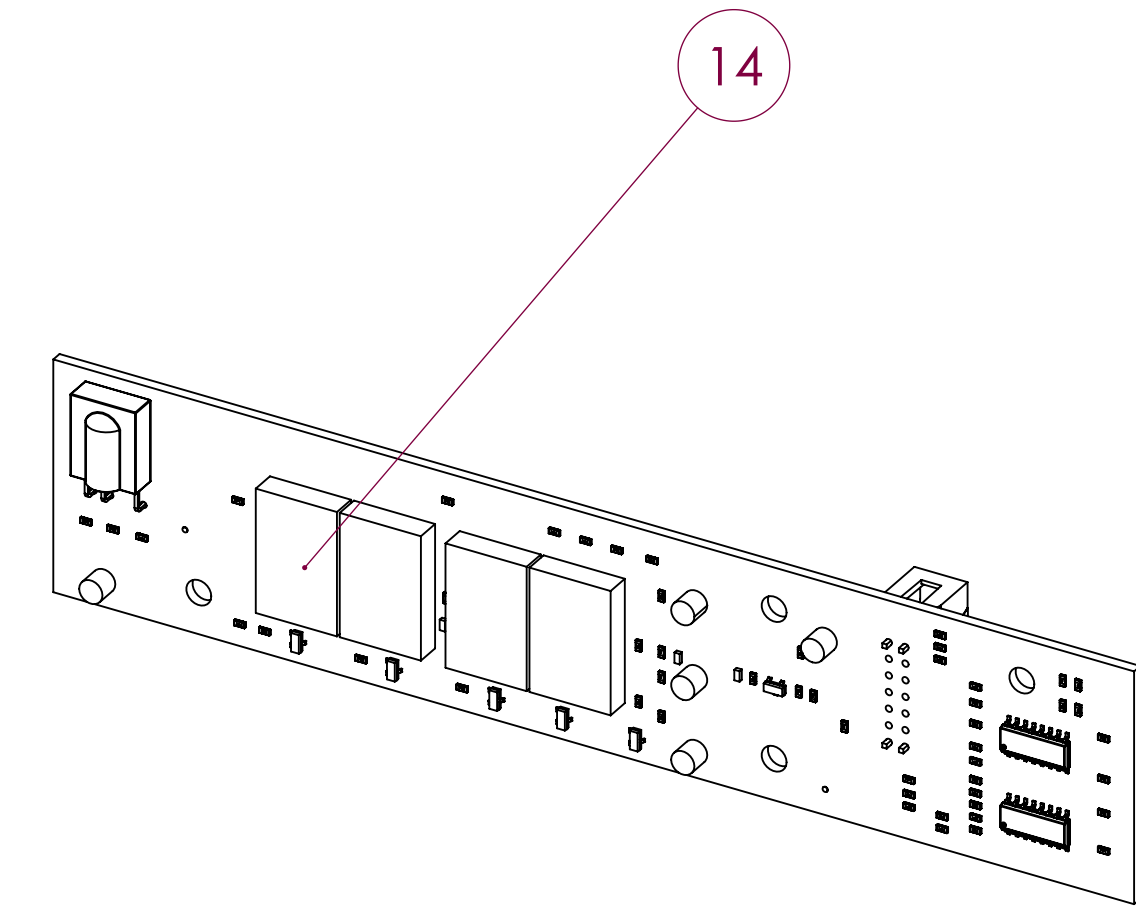
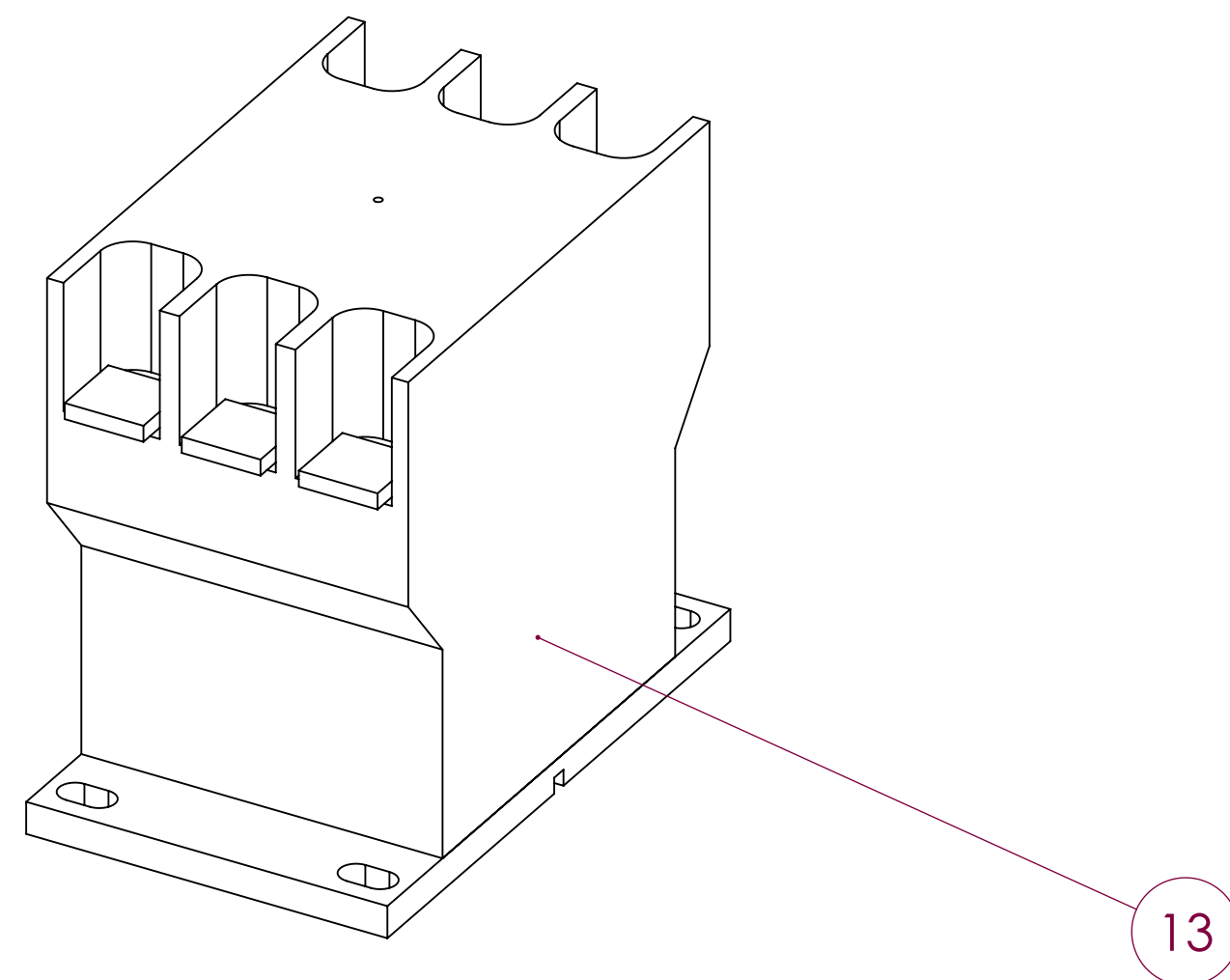
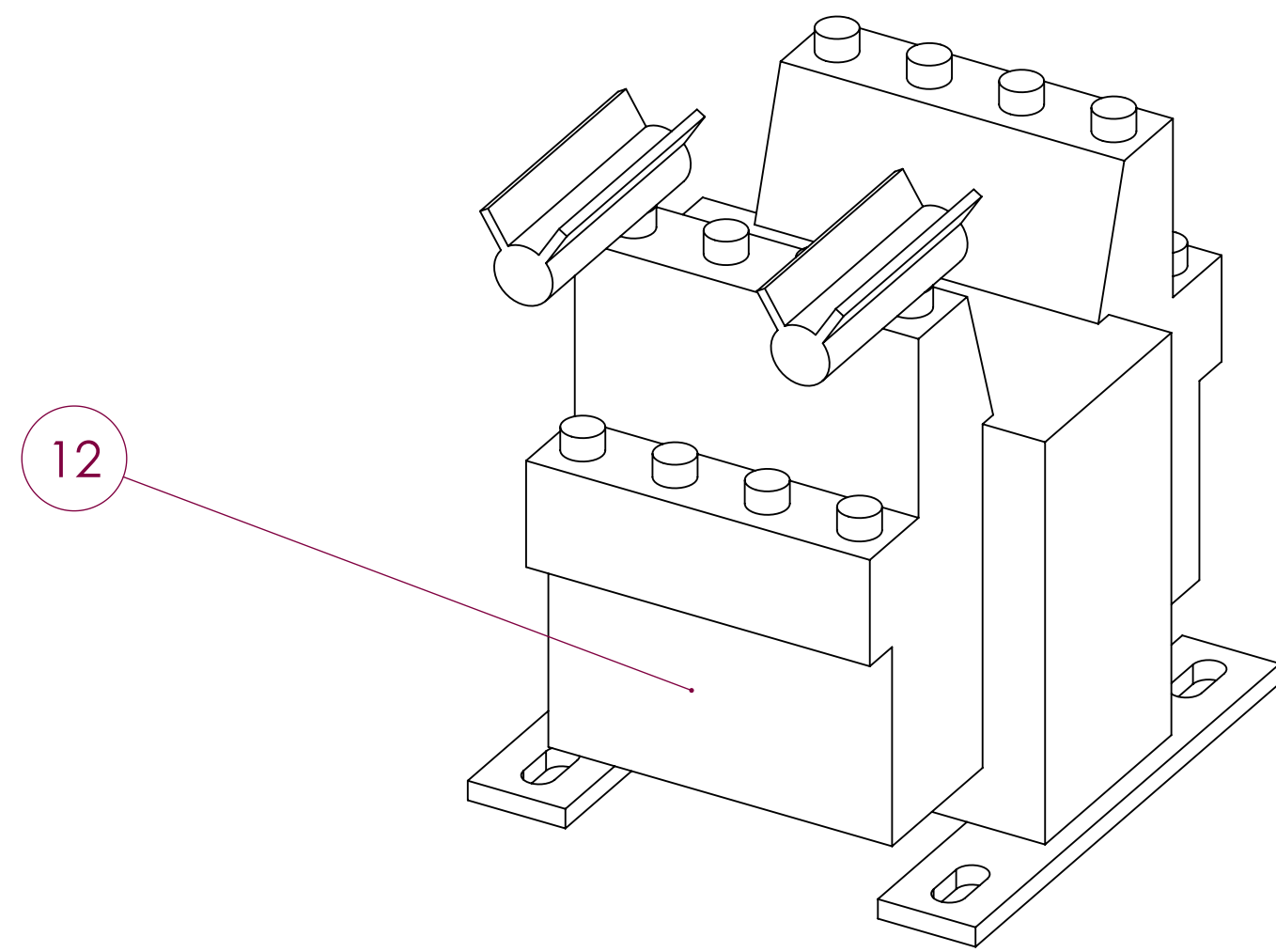
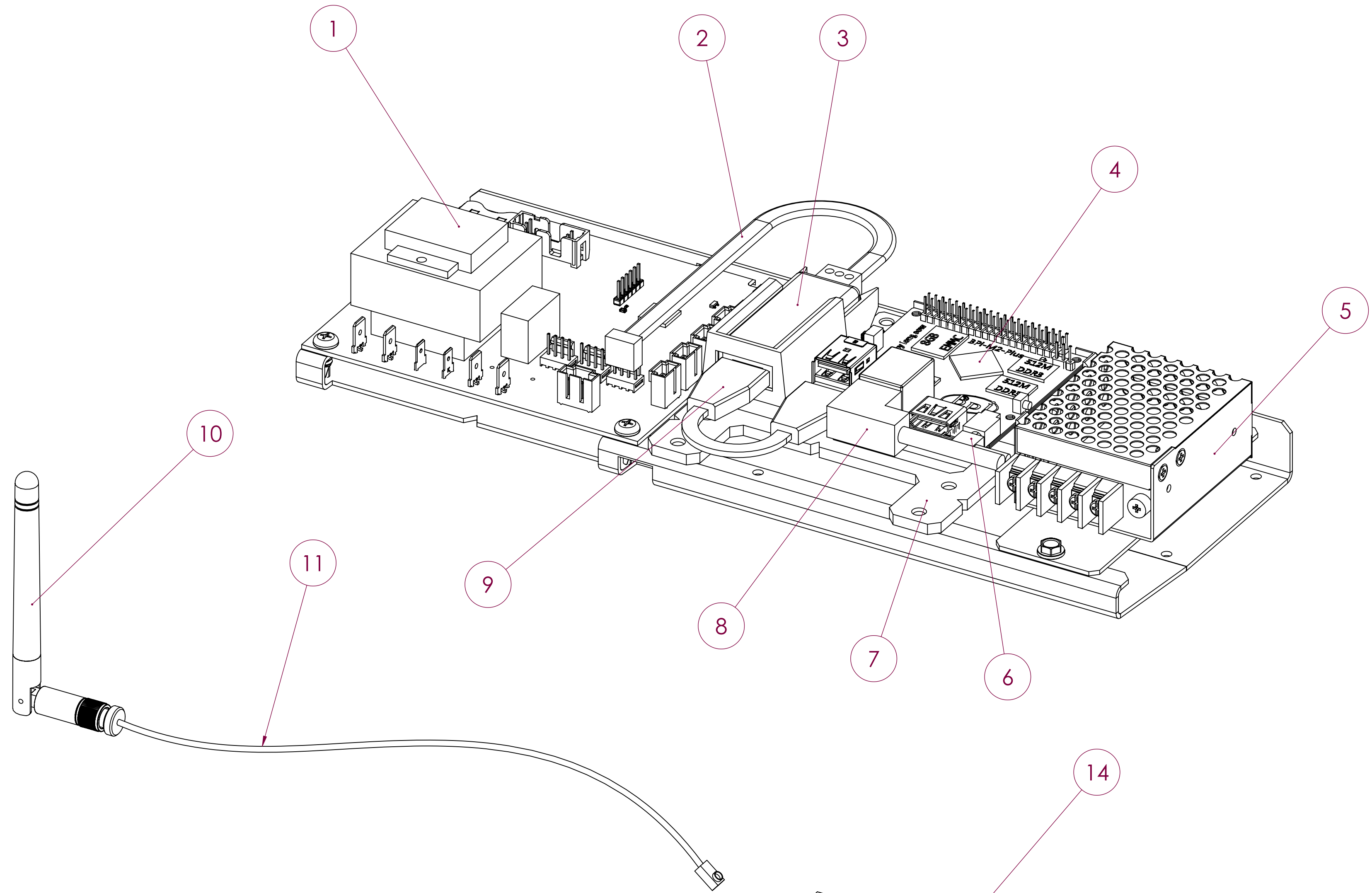
DWG. NO.	
DATE	5-8-23
BY	PMT

BERNER
AI10 REPLACEMENT PARTS

BERNER INTERNATIONAL LLC.
NEW CASTLE, PA.

1	INTELLISWITCH - G3	33G016S-CB1-INT-3
2	CABLE - USB CONVERTER TO INTELLISWITCH	505SC3F4INT485-BPI-M2+
3	USB TO RS485 CONVERTER	33G000C-USB-485
4	BANANA PI	33G000S-BPI-M2+B
5	5VDC POWER SUPPLY	9020DC005V015W-C
6	POWER CABLE - BANANA PI	505PS1.7X4-072-90
7	BASE (AE/AC) - BANANA PI	40INT000BPI-M2+MB-B-AE
8	ETHERNET EXTENDER CABLE	505EC006EXT45-C6-MF
9	USB EXTENDER	505USB1F2-20-MF
10	ANTENNA	9022ADW024G2DB-F109
11	ANTENNA CABLE	505AC006WF-INT-3
12	50 VA TRANSFORMER	9003050G-A24
13	40A CONTACTOR	9010DP40A3P***
14	G4 DISPLAY	33G000S-DB-INT-4

REVISIONS			
REV.	DESCRIPTION	DATE	APPROVED
-	-	-	-



DWG. NO.	
DATE	5-8-23
BY	PMT

BERNER
A110 REPLACEMENT PARTS

BERNER INTERNATIONAL LLC.
NEW CASTLE, PA.