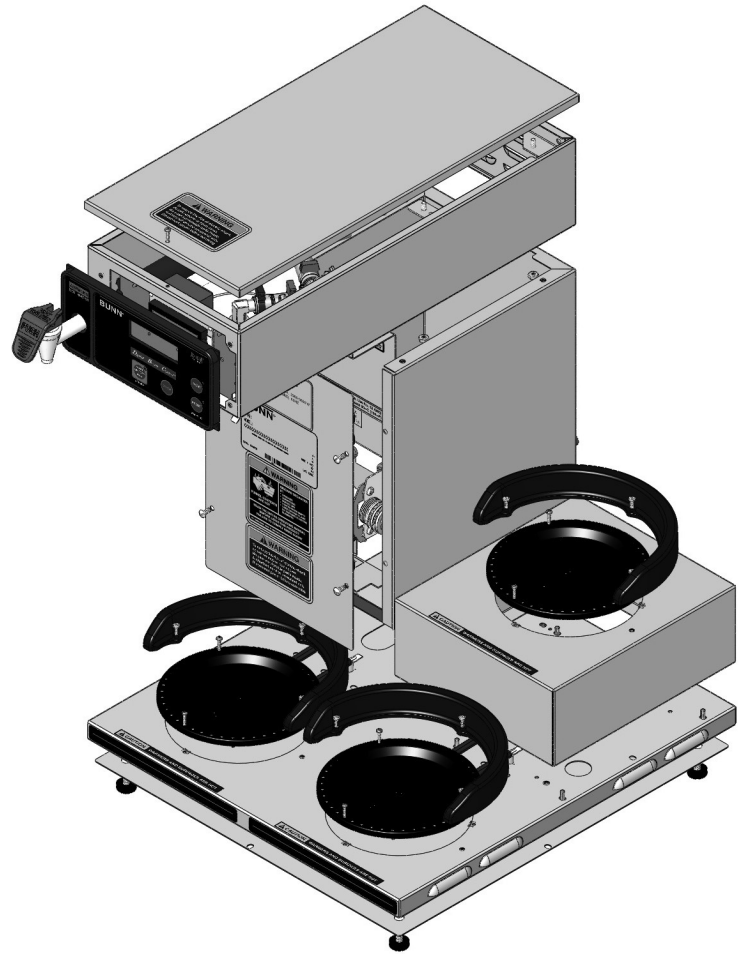
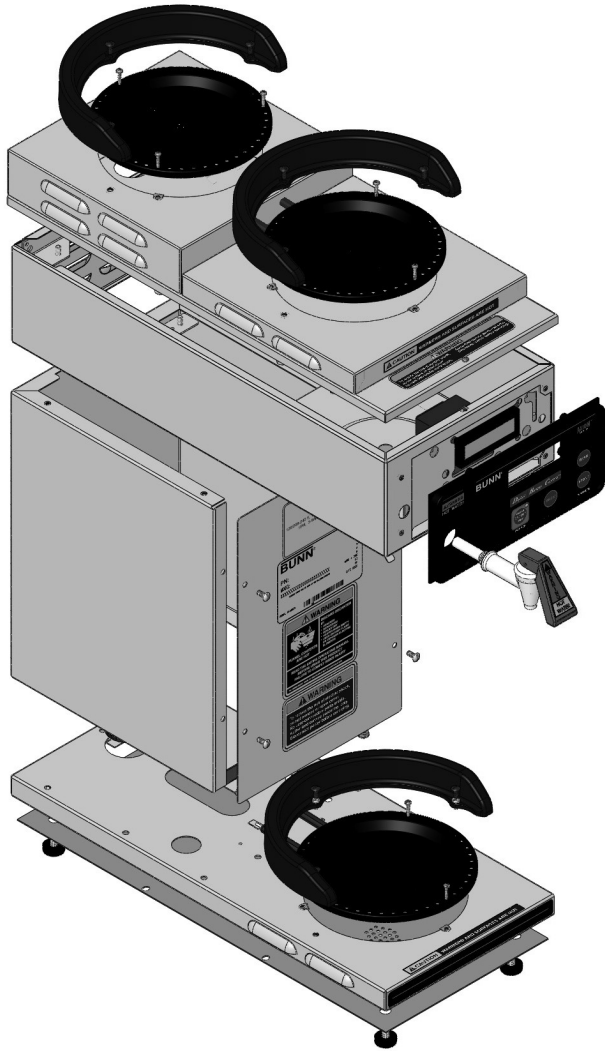


# BUNN®

# AXIOM® BrewWISE® SERIES



## ILLUSTRATED PARTS CATALOG

Designs, materials, weights, specifications, and dimensions for equipment or replacement parts are subject to change without notice.

**BUNN-O-MATIC CORPORATION**  
POST OFFICE BOX 3227  
SPRINGFIELD, ILLINOIS 62708-3227  
PHONE: (217) 529-6601 FAX: (217) 529-6644



## BUNN-O-MATIC COMMERCIAL PRODUCT WARRANTY

Bunn-O-Matic Corp. ("BUNN") warrants equipment manufactured by it as follows:

- 1) Airpots, thermal carafes, decanters, GPR servers, iced tea/coffee dispensers, MCP/MCA pod brewers thermal servers and Thermofresh servers (mechanical and digital)- 1 year parts and 1 year labor.
- 2) All other equipment - 2 years parts and 1 year labor plus added warranties as specified below:
  - a) Electronic circuit and/or control boards - parts and labor for 3 years.
  - b) Compressors on refrigeration equipment - 5 years parts and 1 year labor.
  - c) Grinding burrs on coffee grinding equipment to grind coffee to meet original factory screen sieve analysis - parts and labor for 4 years or 40,000 pounds of coffee, whichever comes first.

These warranty periods run from the date of installation BUNN warrants that the equipment manufactured by it will be commercially free of defects in material and workmanship existing at the time of manufacture and appearing within the applicable warranty period. This warranty does not apply to any equipment, component or part that was not manufactured by BUNN or that, in BUNN's judgment, has been affected by misuse, neglect, alteration, improper installation or operation, improper maintenance or repair, non periodic cleaning and descaling, equipment failures related to poor water quality, damage or casualty. In addition, the warranty does not apply to replacement of items subject to normal use including but not limited to user replaceable parts such as seals and gaskets. This warranty is conditioned on the Buyer 1) giving BUNN prompt notice of any claim to be made under this warranty by telephone at (217) 529-6601 or by writing to Post Office Box 3227, Springfield, Illinois 62708-3227; 2) if requested by BUNN, shipping the defective equipment prepaid to an authorized BUNN service location; and 3) receiving prior authorization from BUNN that the defective equipment is under warranty.

**THE FOREGOING WARRANTY IS EXCLUSIVE AND IS IN LIEU OF ANY OTHER WARRANTY, WRITTEN OR ORAL, EXPRESS OR IMPLIED, INCLUDING, BUT NOT LIMITED TO, ANY IMPLIED WARRANTY OF EITHER MERCHANTABILITY OR FITNESS FOR A PARTICULAR PURPOSE.** The agents, dealers or employees of BUNN are not authorized to make modifications to this warranty or to make additional warranties that are binding on BUNN. Accordingly, statements by such individuals, whether oral or written, do not constitute warranties and should not be relied upon.

If BUNN determines in its sole discretion that the equipment does not conform to the warranty, BUNN, at its exclusive option while the equipment is under warranty, shall either 1) provide at no charge replacement parts and/or labor (during the applicable parts and labor warranty periods specified above) to repair the defective components, provided that this repair is done by a BUNN Authorized Service Representative; or 2) shall replace the equipment or refund the purchase price for the equipment.

**THE BUYER'S REMEDY AGAINST BUNN FOR THE BREACH OF ANY OBLIGATION ARISING OUT OF THE SALE OF THIS EQUIPMENT, WHETHER DERIVED FROM WARRANTY OR OTHERWISE, SHALL BE LIMITED, AT BUNN'S SOLE OPTION AS SPECIFIED HEREIN, TO REPAIR, REPLACEMENT OR REFUND.**

In no event shall BUNN be liable for any other damage or loss, including, but not limited to, lost profits, lost sales, loss of use of equipment, claims of Buyer's customers, cost of capital, cost of down time, cost of substitute equipment, facilities or services, or any other special, incidental or consequential damages.

392, A Partner You Can Count On, Air Infusion, AutoPOD, AXIOM, BrewLOGIC, BrewMETER, Brew Better Not Bitter, BrewWISE, BrewWIZARD, BUNN Espresso, BUNN Family Gourmet, BUNN Gourmet, BUNN Pour-O-Matic, BUNN, BUNN with the stylized red line, BUNNlink, Bunn-O-Matic, Bunn-O-Matic, BUNNserve, BUNNSERVE with the stylized wrench design, Cool Froth, DBC, Dr. Brew stylized Dr. design, Dual, Easy Pour, EasyClear, EasyGard, FlavorGard, Gourmet Ice, Gourmet Juice, High Intensity, iMIX, Infusion Series, Intellisteam, My Café, Phase Brew, PowerLogic, Quality Beverage Equipment Worldwide, Respect Earth, Respect Earth with the stylized leaf and coffee cherry design, Safety-Fresh, savemycoffee.com, Scale-Pro, Silver Series, Single, Smart Funnel, Smart Hopper, SmartWAVE, Soft Heat, SplashGard, The Mark of Quality in Beverage Equipment Worldwide, ThermoFresh, Titan, trifecta, Velocity Brew, Air Brew, Beverage Bar Creator, Beverage Profit Calculator, Brew better, not bitter., BUNNSource, Coffee At Its Best, Cyclonic Heating System, Daypart, Digital Brewer Control, Element, Milk Texturing Fusion, Nothing Brews Like a BUNN, Pouring Profits, Signature Series, Sure Tamp, Tea At Its Best, The Horizontal Red Line, Ultra are either trademarks or registered trademarks of Bunn-O-Matic Corporation. The commercial trifecta® brewer housing configuration is a trademark of Bunn-O-Matic Corporation.

## TABLE OF CONTENTS

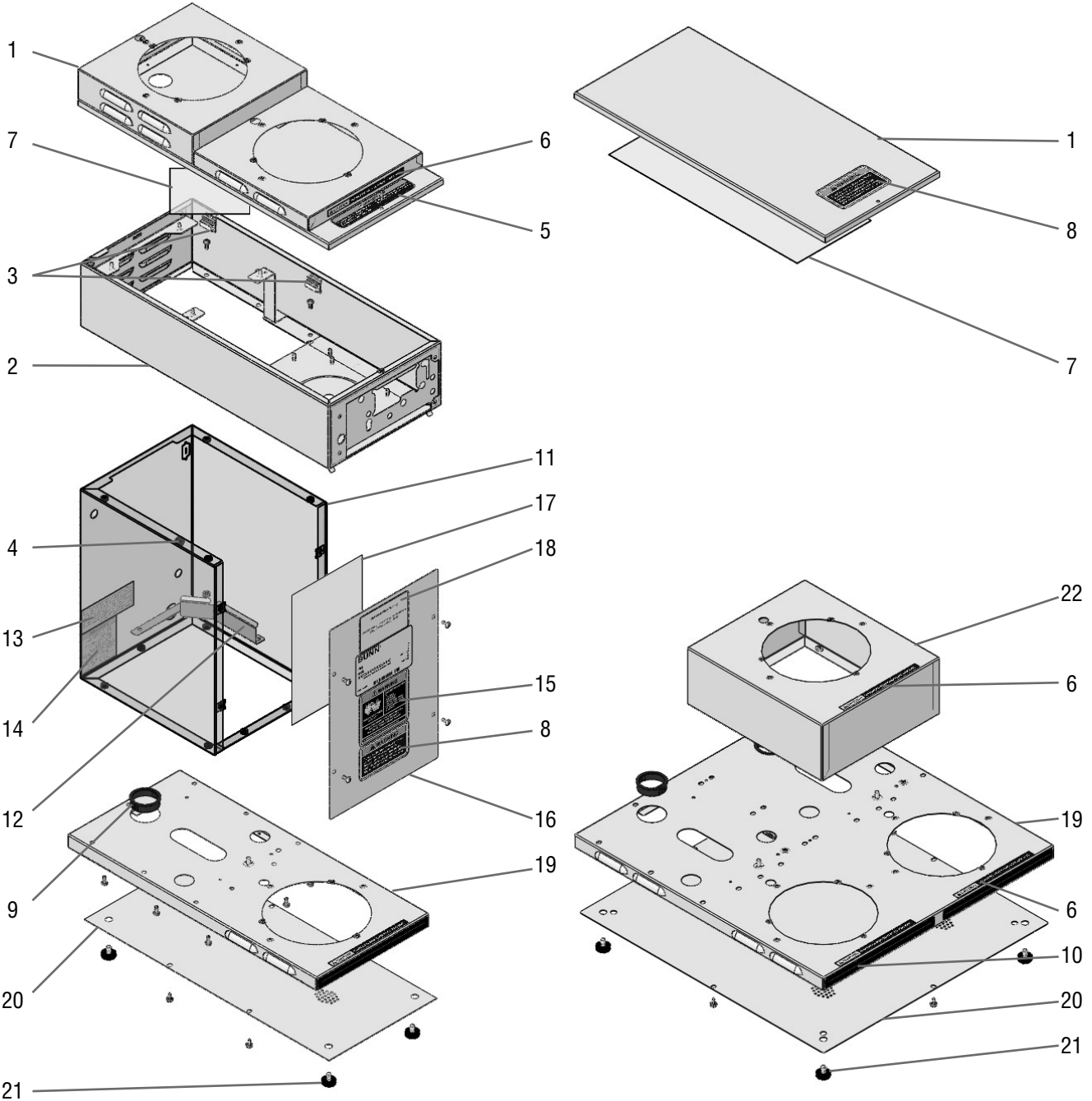
|   |    |
|---|----|
| HOUSINGS.....                             | 4  |
| TANK AND COMPONENTS .....                 | 6  |
| DISPENSE VALVE, SPRAYHEAD, & FAUCET ..... | 8  |
| FILL SOLENOID VALVE AND PLUMBING .....    | 10 |
| WARMER & COIL ASSEMBLIES .....            | 12 |
| FUNNEL & CARAFE.....                      | 14 |
| ELECTRICAL AND OPERATING CONTROLS .....   | 16 |
| NUMERICAL INDEX .....                     | 18 |

### Explanation of codes:

- 15** - All components in machine are rated for 120 Volts ac, (15 Amps)
- 20** - All components in machine are rated for 120 Volts ac, (20 Amps)
- 35 (120/240V)** - Tank heater rated for 240 volts ac, all other components rated for 120 volts ac (20 Amps)
- DV** - Dual Voltage. 2 tank heaters with toggle switch
- “SINGLE AXIOM”** - Replaced “SINGLE CDBC” 15” trunk, brew station warmer only, FULL/HALF batch
- A** - All components in machine are rated for 240 volts ac.
- B** - All components are rated for either 100 volts ac, or 200 volts ac.
- CE** - All components are rated for 230 volts ac for use in Europe.
- TWIN** - 2 brewers in 1 chassis.
- APS** - Airpot Server (No warmers)
- TC** - Thermal Carafe (No warmers)
- TS** - Thermal Server (No warmers)

**To order coffee filters, water filters, or other accessories, refer to Specification Sheets at [www.bunn.com](http://www.bunn.com)**

| Fraction    | Decimal |  | Fraction     | Decimal |
|-------------|---------|--|--------------|---------|
| <b>1/16</b> | 0.063   |  | <b>9/16</b>  | 0.563   |
| <b>1/8</b>  | 0.125   |  | <b>5/8</b>   | 0.625   |
| <b>3/16</b> | 0.188   |  | <b>11/16</b> | 0.688   |
| <b>1/4</b>  | 0.250   |  | <b>3/4</b>   | 0.750   |
| <b>5/16</b> | 0.313   |  | <b>13/16</b> | 0.813   |
| <b>3/8</b>  | 0.375   |  | <b>7/8</b>   | 0.875   |
| <b>7/16</b> | 0.438   |  | <b>15/16</b> | 0.938   |
| <b>1/2</b>  | 0.500   |  | <b>1</b>     | 1.000   |



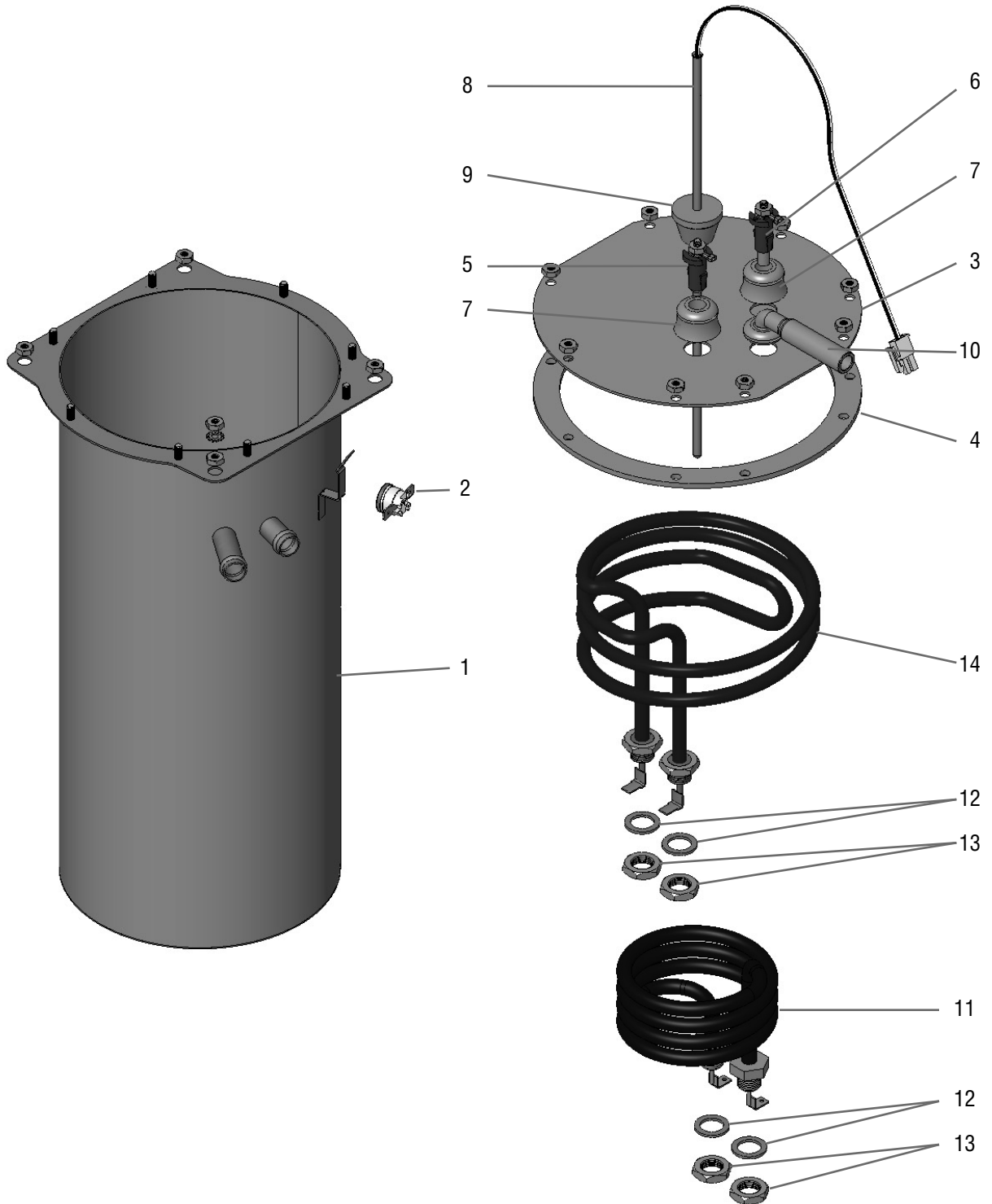
\* Indicates the part number listed is OBSOLETE.

^ Indicates the part number listed is for reference only.

## HOUSINGS

| ITEM | PART NO.    | QTY. | DESCRIPTION  |
|------|-------------|------|--|
| 1    | 40792.1001  | 1    | Kit, 2 Warmer Weldment Top (Includes Items 5-7)      |
|      | 34070.1001  | 1    | Cover Assembly, No Warmer (Includes Items 5-7)       |
| 2    | 43467.1001  | 1    | Kit, Hood SST w/cable clips                          |
|      | 02308.0000  | 6    | Screw # 8-32 x .375"                                 |
| 3    | 35260.0001  | 3    | Cable Clips  |
| 4    | 00669.0003  | 1    | Plug, .437" Hole                                     |
| 5    | 37881.0002  | 1    | Decal, No User Serviceable Parts                     |
| 6    | 12364.0000  | 2/3  | Decal, Caution-Warmers are Hot                       |
| 7    | 25151.0001  | 1    | Shield, Level Probe Insulator 4.0" x 4.0"            |
|      | 25151.0007  | 1    | Shield, Level Probe Insulator 5.25" x 13.375"        |
| 8    | 37881.0000  | 1    | Decal, No User Serviceable Parts                     |
| 9    | 01593.0000  | 1/2  | Bushing, Snap 1.5" Dia. (2 Used on 3 LWR WMR Model)  |
| 10   | 22306.0000  | 1/2  | Decal, Red Decorative Stripe                         |
| 11   | 34061.1000  | 1    | Trunk, SST, 11.69" (Includes 13-14)                  |
|      | 02308.0000  | 9    | Screw SST #8-32 x .38"                               |
|      | 00988.0000  | 6    | Fastener, "U" Type #6-32                             |
| 12   | 37930.0001  | 1    | Channel, Cordset                                     |
|      | 00970.0000  | 2    | Nut, Keps #8-32                                      |
| 13   | 00656.0001  | 1    | Decal, Compliance To Plumbing Code                   |
| 14   | 00986.0000  | 1    | Decal, Warning-Electrical                            |
| 15   | 00658.0000  | 1    | Decal, Warning-Decanter/Funnel                       |
| 16   | 11408.1002  | 1    | Panel, SST, 11.645" Standard (Includes 8 & 15)       |
|      | 01382.0000  | 4    | Screw, SST #6-32 x .375"                             |
| 17   | 29077.0021  | 1    | Schematic, Axiom-15, 20, 35, 120/208-240V            |
| 18   | 29710.0007  | 1    | Decal, Optional Field Wiring (3 Warmer) (DV Only)    |
| 19   | 24806.1010  | 1    | Base, 1 Warmer w/Decals, SST (Includes Items 6 & 10) |
|      | 12657.0012* | 1    | Base, 3 Warmer (Not Available)                       |
| 20   | 24805.0000  | 1    | Plate, Base 1 Warmer                                 |
|      | 12667.0003  | 1    | Plate, Base 3 Warmer                                 |
|      | 02332.0002  | 4    | Screw, Hex-Crimptite #6-32 x .38"                    |
| 21   | 25137.0000  | 4    | Foot   |
|      | 35712.0000  | -    | Set of 4 feet  |
| 22   | 12669.0012* | 1    | Housing, Warmer (Not Available)                      |
|      | 02308.0000  | 7    | Screw # 8-32 x .375"                                 |

\* Indicates the part number listed is for reference only. See DESCRIPTION for possible service replacement.



\* Indicates the part number listed is OBSOLETE.

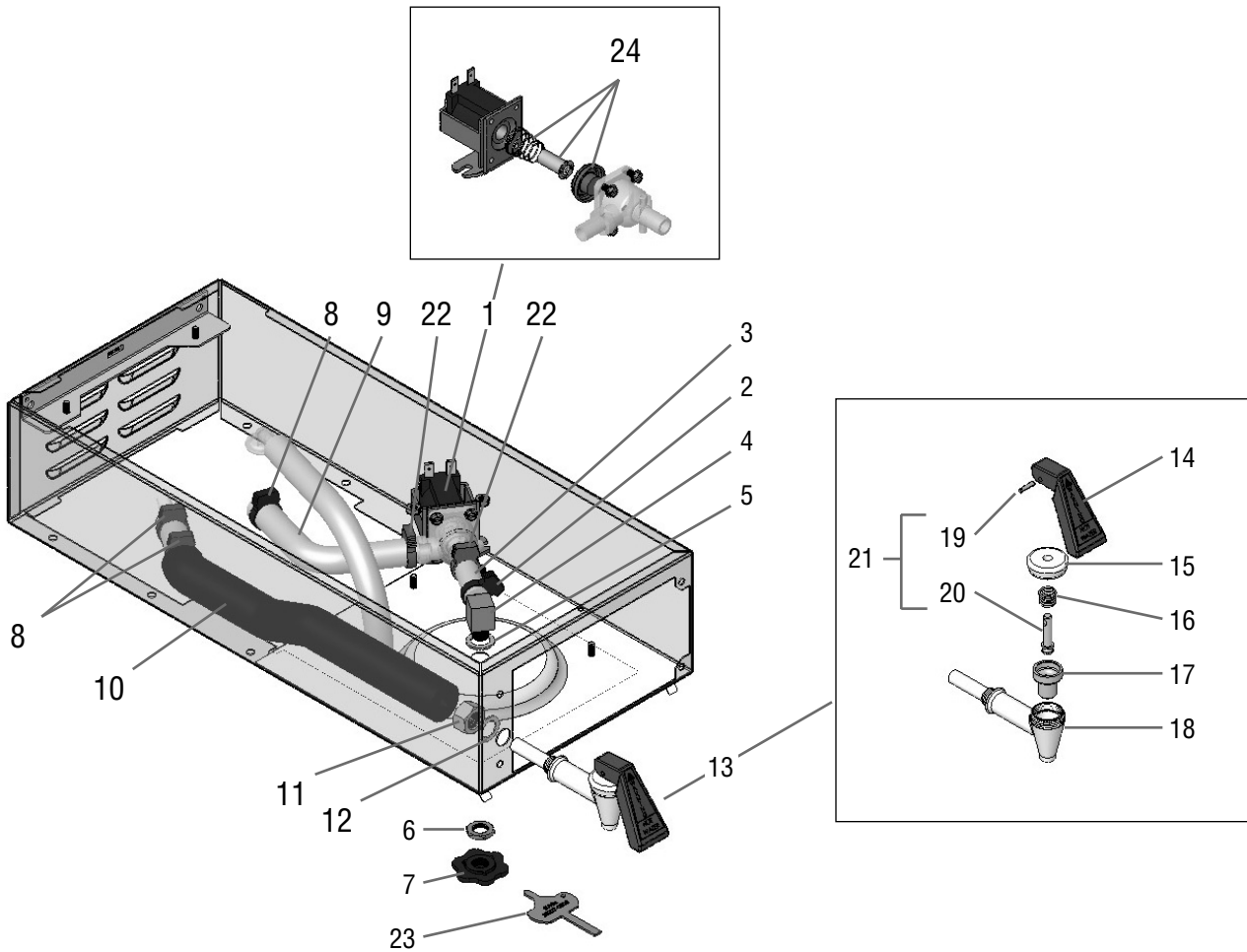
6 ^ Indicates the part number listed is for reference only.

## TANK AND COMPONENTS

| ITEM | PART NO.   | QTY. | DESCRIPTION  |
|------|------------|------|--|
| 1    | 33937.0004 | 1    | Tank, DV (Two Heaters)                               |
|      | 00908.0000 | 5    | Nut, #8-32   |
|      | 01511.0000 | 1    | Lockwasher, Ext. Tooth #8                            |
| 2    | 29329.1000 | 1    | Thermostat, Limit                                    |
| 3    | 28735.0002 | 1    | Tank Lid, 2 - Probe                                  |
|      | 00908.0000 | 8    | Nut #8-32  |
| 4    | 04221.0000 | 1    | Gasket, Tank Lid                                     |
| 5    | 07412.1002 | 1    | Probe Kit, Liquid Level 1.25"                        |
| 6    | 07412.1003 | 1    | Probe Kit, Brew Logic 1.625" (Blue Dot)              |
| 7    | 38114.0000 | 2    | Grommet  |
| 8    | 39085.0001 | 1    | Probe, Temperature Sensor 10.5"                      |
| 9    | 33801.0003 | 1    | Grommet, Temperature Sensor                          |
| 10   | 38969.0001 | 1    | Fitting, 90° Silicone                                |
| 11   | 02755.1000 | 1    | Tank Heater 1425W, 120V (Includes item 12)           |
| 12   | 00943.0000 | 4    | Gasket, Tank Heater                                  |
| 13   | 00942.0000 | 4    | Nut, Brass .5"-20                                    |
| 14   | 29485.1001 | 1    | Tank Heater 2268W, 120V (DV Only) (Includes item 12) |

### The Following Items Are Not Illustrated

|    |            |   |  |
|----|------------|---|--|
| 15 | 34074.1032 | 1 | Tank Kit, 1425/2268W, (DV) (Includes 1-4, 7, 9, 11-14) |
|----|------------|---|--|



\* Indicates the part number listed is OBSOLETE.

8 ^ Indicates the part number listed is for reference only.

## DISPENSE VALVE, SPRAYHEAD, & FAUCET

| ITEM   | PART NO.    | QTY. | DESCRIPTION   |
|--|-------------|------|---|
| 1  | 27370.0000  | 1    | Valve, Dispense (120v)  |
|  | 00970.0000  | 2    | Nut, KEPS #8-32   |
|  | 11517.0008  | -    | Repair Kit, Dispense Valve (Includes Plunger, Spring and Diaphragm)   |
| 2  | 12422.0001  | 1    | Clamp, SNP - 10 (2 Additional used in Pour In Models)                 |
| 3  | 20976.0008* | 1    | Tube .375" ID x 1.625" (Order item 26)                                |
| 4  | 39149.0001  | 1    | Fitting   |
| 5  | 00943.0000  | 1    | Gasket  |
| 6  | 01075.0000  | 1    | Nut, Hex .438"-20   |
| 7  | 40670.0005  | 1    | Sprayhead, 7 Hole   |
| 8  | 12422.0009  | 3    | Clamp, SNP - 14   |
| 9  | 32591.0032* | 1    | Tube, Tank To Dispense Valve, .5" ID x .75" x ID 5" (Order item 25)   |
| 10   | 43226.1001  | 1    | Kit, Tube Assy., HW Faucet  |
| 11   | 29264.0000  | 1    | Nut, Hex .5"-20 UNF   |
| 12   | 01544.0000  | 1    | Washer, .5" ID x .75" OD  |
| 13   | 29075.0000  | 1    | Faucet Assembly. (Includes items 14 thru 21)                          |
| 14   | 02861.0003  | 1    | Handle, Red   |
| 15   | 02854.0000  | 1    | Bonnet  |
| 16   | 02595.0000  | 1    | Spring  |
| 17   | 02766.0000  | 1    | Cup   |
| 18   | 02856.0005* | 1    | Faucet Body (Order item 13)   |
| 19   | 02858.0000  | 1    | Pin, Spring   |
| 20   | 13054.0000  | 1    | Stem  |
| 21   | 02594.0000  | 1    | Faucet Stem w/Pin (Includes items 19 and 20)                          |
| 22   | 12422.0005  | 2    | Clamp, SNP - 12   |
| 23   | 38227.0000  | 1    | Sprayhead Cleaning Tool   |
| 24   | 11517.0008  | -    | Repair Kit, Dispense Valve (Includes Plunger, Spring and Diaphragm)   |
| <b>The Following Items Are Not Illustrated</b> |             |      |   |
| 25   | 41499.1001  | 1    | Dispense Tube Kit, Tank to Solenoid, All Models (Includes 8, 9, 23)   |
| 26   | 41499.1002  | 1    | Dispense Tube Kit, Solenoid to Sprayhead, All Models (Includes 2 & 3) |

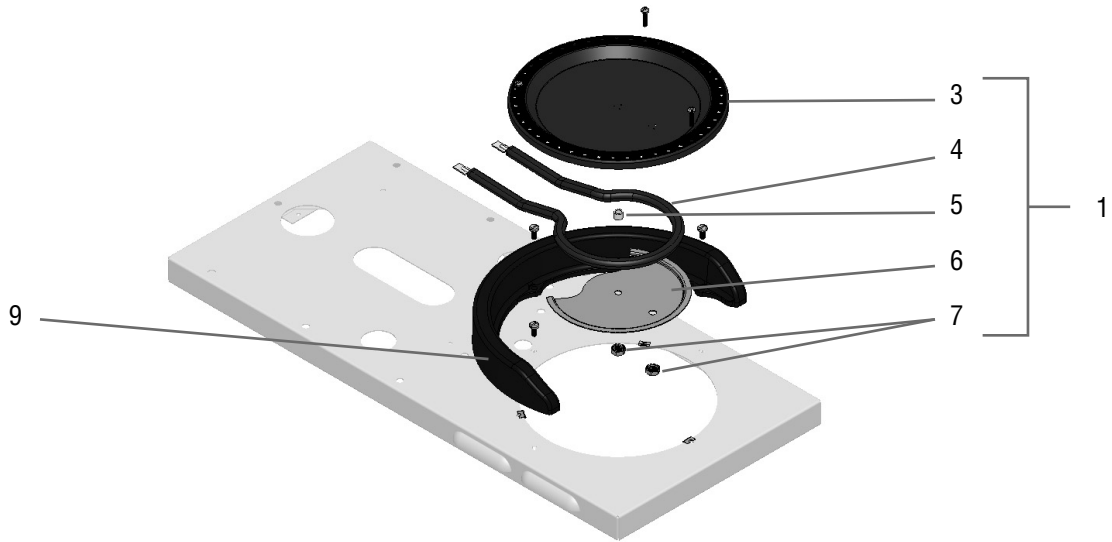
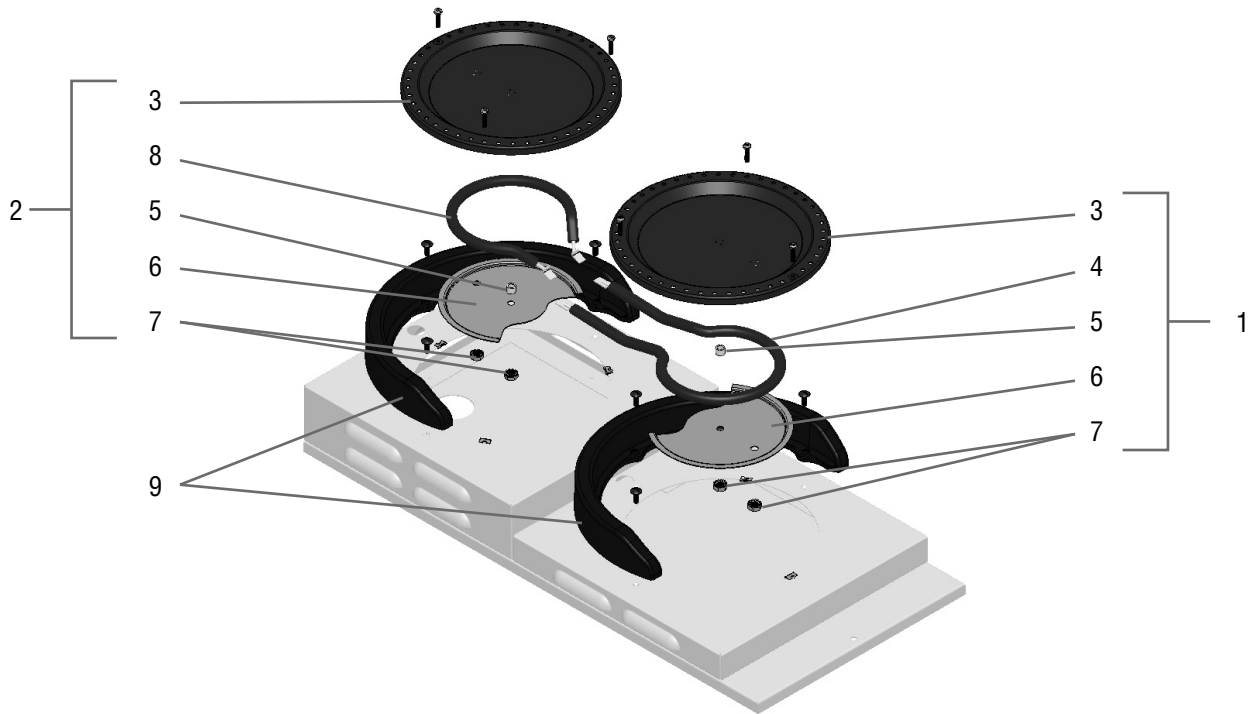


## FILL SOLENOID VALVE AND PLUMBING

| ITEM | PART NO.     | QTY. | DESCRIPTION  |
|------|--------------|------|--|
| 1    | 42025.0000   | 1    | Kit, Universal Replacement Solenoid, 120V                                    |
|      | A 20526.2500 | 2    | Kit, .500GPM Flow Washer/O-Ring  |
|      | B 40056.0003 | 1    | Insert, Flow Control Housing   |
|      | C 32283.0000 | 2    | Screw, SST Slotted Panhead M4 X 6mm  |
| 2    | 41580.0000   | 1    | Bracket  |
|      | 02325.0001   | 2    | Screw .25"-20 x .313"  |
| 3    | 37297.0003   | 1    | Elbow  |
| 4    | 41578.0000   | 1    | Tube Assy, Bulkhead to Solenoid  |
| 5    | 43644.0000   | -    | Kit, Valve Rebuild   |
| 6    | 12422.0001   | 2    | Clamp, SNP - 10  |
| 7    | 20976.0056*  | 1    | Tube, Tank To Valve, .375"ID x 28.0" (Order # 15)                            |
| 8    | 11630.0001   | 1    | Clamp, Shut Off  |
| 9    | 12422.0006   | 1    | Clamp, SNP - 8   |
| 10   | 00459.0000   | 1    | Fitting, Bulkhead 1/4" Flair   |
| 11   | 01532.0000   | 1    | Lockwasher, Int. Tooth .438"   |
| 12   | 00463.0000   | 1    | Nut, Hex .438"-20  |
| 13   | 41716.1004   | 1    | Kit, Check Valve/Tube Assembly (Includes Union, Tube, Check Valve, & Clamps) |
| 14   | 12422.0005   | 1    | Clamp, SNP - 12  |

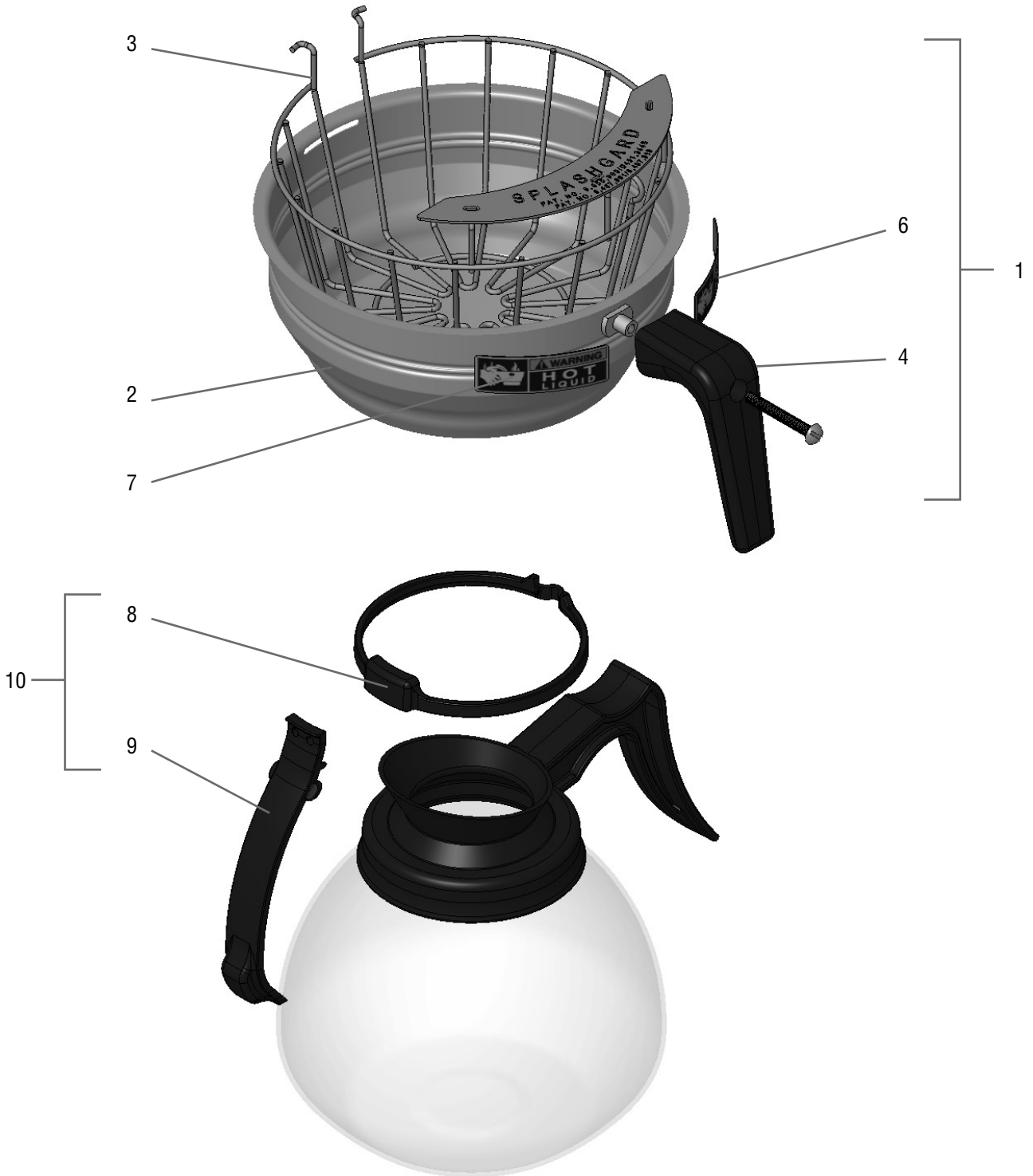
**The Following Items Are Not Illustrated**

|    |            |   |   |   |
|----|------------|---|---|---|
| 15 | 20976.1001 | - | - | Tube, .375" ID x 3 Feet (Use as required)   |
|    | 20976.1002 | - | - | Tube, .375" ID x 10 Feet (Use as required)  |
|    | 20976.1004 | - | - | Tube, .375" ID x 250 Feet (Use as required) |



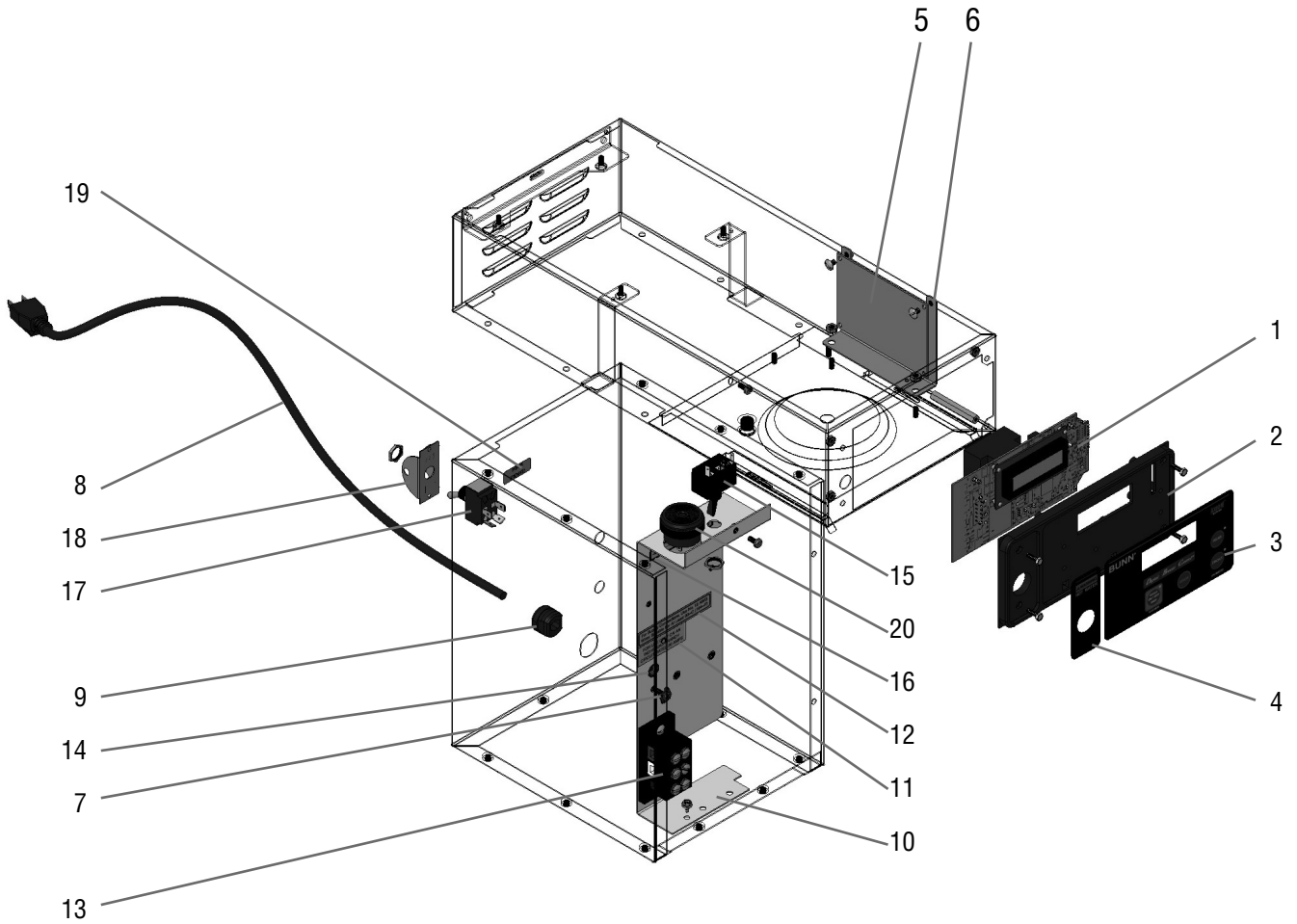
## WARMER & COIL ASSEMBLIES

| ITEM | PART NO.   | QTY. | DESCRIPTION  |
|------|------------|------|--|
| 1    | 11440.0005 | 1    | Warmer Assembly 120V, (Includes items 2-7)                           |
|      | 01303.0000 | 3    | Screw, Pan Head - SST #4-40 x .5"                                    |
|      | 00916.0000 | 3    | Fastener, J-Type #4-40   |
| 2    | 03652.0000 | 1    | Warmer Assembly 120V, Top & Side Warmers (Includes items 1, & 3 - 6) |
|      | 01303.0000 | 3    | Screw, Pan Head - SST #4-40 x .5"                                    |
|      | 00916.0000 | 3    | Fastener, J-Type #4-40   |
| 3    | 03656.0000 | 1    | Warmer Dish, Blk 45 Hole   |
| 4    | 11442.0000 | 1    | Warmer Element 120V Long Legs  |
| 5    | 13042.0001 | 1    | Spacer   |
| 6    | 05212.0000 | 1    | Plate, Element Retaining   |
| 7    | 00970.0000 | 2    | Nut, Keps #8-32  |
| 8    | 01227.0000 | 1    | Warmer Element 120V Short Legs                                       |
| 9    | 42964.1000 | 3    | Kit, Coil Assy. RFID   |
|      | 02328.0000 | 9    | Screw, Pnh Sltd 6-32x.375"   |



## FUNNEL & CARAFE

| ITEM | PART NO.   | QTY. | DESCRIPTION   |
|------|------------|------|---|
| 1    | 20216.0000 | 1    | Funnel Assy, 7.12" SST Black Handle (Includes items 2-7)  |
|      | 20216.0001 | 1    | Funnel Assy, 7.12" SST Orange Handle (Includes items 2-7) |
| 2    | -----      | 1    | Funnel Body, 7.12" SST (Order item 1)                     |
| 3    | 33088.0000 | 1    | Filter Basket, 7.12" SST                                  |
| 4    | 20244.1000 | 1    | Handle Kit, Black (Includes mounting screw below)         |
|      | 20244.1001 | 1    | Handle Kit, Orange (Includes mounting screw below)        |
|      | 01331.0002 | 1    | Screw, Round Head 10-32 x 1.5"                            |
| 6    | 03408.0002 | 1    | Decal, Warning - Remove Funnel                            |
| 7    | 03409.0002 | 1    | Decal, Warning - Hot Liquid                               |
| 8    | 42929.1000 | 1    | Kit, Strap  |
| 9    | 42930.1000 | 1    | Kit, RFID Holder  |
| 10   | 42931.1000 | 1    | Kit, RFID Assy, Holder & Strap                            |



\* Indicates the part number listed is OBSOLETE.

16 ^ Indicates the part number listed is for reference only.

## ELECTRICAL AND OPERATING CONTROLS

| ITEM | PART NO.    | QTY. | DESCRIPTION                                   |
|------|-------------|------|---|
| 1    | 42533.1005  | 1    | PC Board, Control (120V) (RoHS)               |
|      | 38044.0000  | 2    | Screw, PNH Plastite #6 x .375"                |
|      | 01518.0000  | 2    | Washer, Nylon #6                              |
| 2    | 38842.0002  | 1    | Face Plate                                    |
|      | 29082.0000  | 4    | Screw, Hex-head #6-32 x .5"                   |
|      | 00973.0000  | 3    | Nut, Keps #6-32                               |
|      | 29263.0000  | 1    | Nut, Standoff #6-32 x 2.0"                    |
| 3    | 38876.0001  | 1    | Switch, Membrane - 3 Warmers (Right)          |
| 4    | 29007.0000  | 1    | Decal, HOT WATER (Brewers with Faucet)        |
| 5    | 40881.1000  | 1    | CBA, RFID                                     |
|      | 01308.0002  | 2    | Screw, TRH #6-32 x .25"                       |
| 6    | 43519.1000  | 1    | Kit, Bracket, CBA Mounting                    |
|      | 00970.0000  | 2    | Nut, Keps #8-32                               |
| 7    | 37804.0000  | 1    | Screw, Grounding #8-32 x .5"                  |
| 8    | 01719.1000  | 1    | Power Cord, 120V                              |
| 9    | 01685.0000  | 1    | Bushing, Strain Relief (120V 15A Models only) |
| 10   | 28740.1006  | 1    | Bracket, Component Mtg.                       |
|      | 02308.0000  | 1    | Screw #8-32 x .375"                           |
|      | 02332.0001  | 1    | Screw, Hex CrimpTite #6-32 x .25"             |
| 11   | 00985.0000  | 1    | Decal, Individual Circuit Info                |
| 12   | 12394.0002* | 1    | Decal, Supply Connection (Not Available)      |
| 13   | 07038.0000  | 1    | Terminal Block, 3-pole 120/240v               |
|      | 01317.0000  | 2    | Screw #8-32 x .5"                             |
| 14   | 00824.0000  | 1    | Decal, Ground                                 |
| 15   | 23522.0001  | 1    | Toggle Switch, DV (Includes Nut)              |
|      | 23696.0000  | 1    | Nut, Hex                                      |
| 16   | 34056.0000  | 1    | Decal, (120V-120/240V)                        |
| 17   | 40763.0001  | 1    | Toggle Switch, Main ON/OFF (Includes Nut)     |
|      | 23696.0000  | 1    | Nut, Hex                                      |
| 18   | 25102.0000  | 1    | Bracket, Switch Indicator/Guard               |
| 19   | 41405.0000  | 1    | Decal, Main On/Off                            |
| 20   | 43133.1000  | 1    | Kit, Audio Alarm                              |

### The Following Items Are Not Illustrated

|    |            |   |  |
|----|------------|---|--|
| 21 | 39048.0000 | 1 | Wiring Harness, Level Probes to Board            |
| 22 | 41390.0003 | 1 | Wiring Harness, Main                             |
| 23 | 02812.0001 | 1 | Wiring Harness, Upper Warmers to 3 pin connector |
| 24 | 43032.1000 | 1 | Wiring Harness, RFID CBA to Main CBA             |
| 25 | 43250.1000 | 1 | Wiring Harness, Beeper to Main CBA               |

NUMERICAL INDEX

| PART NO.        | PAGE NO.  | PART NO.        | PAGE NO. | PART NO.        | PAGE NO. | PART NO. | PAGE NO. |
|-----------------|-----------|-----------------|----------|-----------------|----------|----------|----------|
| 00459.0000..... | 11        | 11442.0000..... | 13       | 35260.0001..... | 5        |          |          |
| 00463.0000..... | 11        | 11517.0008..... | 9        | 35712.0000..... | 5        |          |          |
| 00656.0001..... | 5         | 11630.0001..... | 11       | 37297.0003..... | 11       |          |          |
| 00658.0000..... | 5         | 12364.0000..... | 5        | 37804.0000..... | 17       |          |          |
| 00669.0003..... | 5         | 12394.0002..... | 17       | 37881.0000..... | 5        |          |          |
| 00824.0000..... | 17        | 12422.0001..... | 9,11     | 37881.0002..... | 5        |          |          |
| 00908.0000..... | 7         | 12422.0005..... | 9,11     | 37930.0001..... | 5        |          |          |
| 00916.0000..... | 13        | 12422.0006..... | 11       | 38044.0000..... | 17       |          |          |
| 00942.0000..... | 7         | 12422.0009..... | 9        | 38114.0000..... | 7        |          |          |
| 00943.0000..... | 7,9       | 12657.0012..... | 5        | 38227.0000..... | 9        |          |          |
| 00970.0000..... | 5,9,13,17 | 12667.0003..... | 5        | 38842.0002..... | 17       |          |          |
| 00973.0000..... | 17        | 12669.0012..... | 5        | 38876.0001..... | 17       |          |          |
| 00985.0000..... | 17        | 13042.0001..... | 13       | 38969.0001..... | 7        |          |          |
| 00986.0000..... | 5         | 13054.0000..... | 9        | 39048.0000..... | 17       |          |          |
| 00988.0000..... | 5         | 20216.0000..... | 15       | 39085.0001..... | 7        |          |          |
| 01075.0000..... | 9         | 20216.0001..... | 15       | 39149.0001..... | 9        |          |          |
| 01227.0000..... | 13        | 20244.1000..... | 15       | 40056.0003..... | 11       |          |          |
| 01303.0000..... | 13        | 20244.1001..... | 15       | 40670.0005..... | 9        |          |          |
| 01308.0002..... | 17        | 20526.2500..... | 11       | 40763.0001..... | 17       |          |          |
| 01317.0000..... | 17        | 20976.0008..... | 9        | 40792.1001..... | 5        |          |          |
| 01331.0002..... | 15        | 20976.0056..... | 11       | 40881.1000..... | 17       |          |          |
| 01382.0000..... | 5         | 20976.1001..... | 11       | 41390.0003..... | 17       |          |          |
| 01511.0000..... | 7         | 20976.1002..... | 11       | 41405.0000..... | 17       |          |          |
| 01518.0000..... | 17        | 20976.1004..... | 11       | 41499.1001..... | 9        |          |          |
| 01532.0000..... | 11        | 22306.0000..... | 5        | 41499.1002..... | 9        |          |          |
| 01544.0000..... | 9         | 23522.0001..... | 17       | 41578.0000..... | 11       |          |          |
| 01593.0000..... | 5         | 23696.0000..... | 17       | 41580.0000..... | 11       |          |          |
| 01685.0000..... | 17        | 24805.0000..... | 5        | 41716.1004..... | 11       |          |          |
| 01719.1000..... | 17        | 24806.1010..... | 5        | 42025.0000..... | 11       |          |          |
| 02308.0000..... | 5,17      | 25102.0000..... | 17       | 42533.1005..... | 17       |          |          |
| 02325.0001..... | 11        | 25137.0000..... | 5        | 42929.1000..... | 15       |          |          |
| 02328.0000..... | 13        | 25151.0001..... | 5        | 42930.1000..... | 15       |          |          |
| 02332.0001..... | 17        | 25151.0007..... | 5        | 42931.1000..... | 15       |          |          |
| 02332.0002..... | 5         | 27370.0000..... | 9        | 42964.1000..... | 13       |          |          |
| 02594.0000..... | 9         | 28735.0002..... | 7        | 43032.1000..... | 17       |          |          |
| 02595.0000..... | 9         | 28740.1006..... | 17       | 43133.1000..... | 17       |          |          |
| 02755.1000..... | 7         | 29007.0003..... | 17       | 43226.1001..... | 9        |          |          |
| 02766.0000..... | 9         | 29075.0000..... | 9        | 43250.1000..... | 17       |          |          |
| 02812.0001..... | 17        | 29077.0021..... | 5        | 43467.1001..... | 5        |          |          |
| 02854.0000..... | 9         | 29082.0000..... | 17       | 43519.1000..... | 17       |          |          |
| 02856.0005..... | 9         | 29263.0000..... | 17       | 43644.0000..... | 11       |          |          |
| 02858.0000..... | 9         | 29264.0000..... | 9        |                 |          |          |          |
| 02861.0003..... | 9         | 29329.1000..... | 7        |                 |          |          |          |
| 03408.0002..... | 15        | 29485.1001..... | 7        |                 |          |          |          |
| 03409.0002..... | 15        | 34074.1032..... | 7        |                 |          |          |          |
| 03652.0000..... | 13        | 29710.0007..... | 5        |                 |          |          |          |
| 03656.0000..... | 13        | 32283.0000..... | 11       |                 |          |          |          |
| 04221.0000..... | 7         | 32591.0032..... | 9        |                 |          |          |          |
| 05212.0000..... | 13        | 33088.0000..... | 15       |                 |          |          |          |
| 07038.0000..... | 17        | 33801.0003..... | 7        |                 |          |          |          |
| 07412.1002..... | 7         | 33937.0004..... | 7        |                 |          |          |          |
| 07412.1003..... | 7         | 34056.0000..... | 17       |                 |          |          |          |
| 11408.1002..... | 5         | 34061.1000..... | 5        |                 |          |          |          |
| 11440.0005..... | 13        | 34070.1001..... | 5        |                 |          |          |          |

