

ILLUSTRATED PARTS CATALOG

Designs, materials, weights, specifications, and dimensions for equipment or replacement parts are subject to change without notice.

Bunn-O-Matic Corporation

Post Office Box 3227, Springfield, Illinois 62708-3227

Phone (217) 529-6601 | Fax (217) 529-6644

Technical Support Phone (800) 420-2866

BUNN-O-MATIC COMMERCIAL PRODUCT WARRANTY

Bunn-O-Matic Corp. ("BUNN") warrants the BUNN Crescendo® as further described below for a warranty period of 1 year parts and labor.

For customers subscribed to BUNNlink®, BUNN reserves the right to periodically auto-push critical software updates that will enhance functionality or performance of the BUNN equipment, unless the customer requests advance notice of such software updates from BUNN in writing.

These warranty periods run from the date of installation. BUNN warrants that the equipment manufactured by it will be commercially free of defects in material and workmanship existing at the time of manufacture and appearing within the applicable warranty period. This warranty does not apply to any equipment, component or part that was not manufactured by BUNN or that, in BUNN's judgment, has been affected by misuse, neglect, alteration, improper installation or operation, improper maintenance or repair, non periodic cleaning and descaling, equipment failures related to poor water quality, damage or casualty. This warranty is conditioned on the Buyer 1) giving BUNN prompt notice of any claim to be made under this warranty by telephone at (217) 529-6601 or by writing to Post Office Box 3227, Springfield, Illinois 62708-3227; 2) if requested by BUNN, shipping the defective equipment prepaid to an authorized BUNN service location; and 3) receiving prior authorization from BUNN that the defective equipment is under warranty. Additionally, the following is excluded from the warranty period:

Warranty Exclusions:

- Parts such as, but not limited to, hoppers and lids, drip trays, and plastic parts damaged due to improper handling or cleaning agents.
- Replacement of wear items such as, but not limited to, O-rings, gaskets, silicone tubes, hoses, and valve seats.
- Repairs made necessary due to poor water quality such as dispense valves, water inlet valves, scaling in the steam or hot water boilers. (Total Hardness recommended range of 4-7 gpg constant).
- Improper voltage. (See equipment operations manual for voltage specifications).
- Failure to use BUNN approved cleaning supplies constitutes improper maintenance.
- Failure to have required preventive maintenance performed by BUNN technician or authorized espresso service provider.
- Parts replaced under the terms of this warranty carry the remainder on the machine's parts warranty term, or 60 days, whichever is greater.
- Drink quality issues from machine failures related to product formulation or product characteristics.

THE FOREGOING WARRANTY IS EXCLUSIVE AND IS IN LIEU OF ANY OTHER WARRANTY, WRITTEN OR ORAL, EXPRESS OR IMPLIED, INCLUDING, BUT NOT LIMITED TO, ANY IMPLIED WARRANTY OF EITHER MERCHANTABILITY OR FITNESS FOR A PARTICULAR PURPOSE. The agents, dealers or employees of BUNN are not authorized to make modifications to this warranty or to make additional warranties that are binding on BUNN. Accordingly, statements by such individuals, whether oral or written, do not constitute warranties and should not be relied upon. If BUNN determines in its sole discretion that the equipment does not conform to the warranty, BUNN, at its exclusive option while the equipment is under warranty, shall either 1) provide at no charge replacement parts and/or labor (during the applicable parts and labor warranty periods specified above) to repair the defective components, provided that this repair is done by a BUNN Authorized Service Representative; or 2) shall replace the equipment or refund the purchase price for the equipment.

THE BUYER'S REMEDY AGAINST BUNN FOR THE BREACH OF ANY OBLIGATION ARISING OUT OF THE SALE OF THIS EQUIPMENT, WHETHER DERIVED FROM WARRANTY OR OTHERWISE, SHALL BE LIMITED, AT BUNN'S SOLE OPTION AS SPECIFIED HEREIN, TO REPAIR, REPLACEMENT OR REFUND.

In no event shall BUNN be liable for any other damage or loss, including, but not limited to, lost profits, lost sales, loss of use of equipment, claims of Buyer's customers, cost of capital, cost of down time, cost of substitute equipment, facilities or services, or any other special, incidental or consequential damages.

CONTENTS

TABLE OF CONTENTS.....	3
EXTERIOR COMPONENTS	4
PARTS BOX COMPONENTS.....	6
DOOR COMPONENTS.....	8
EXTERIOR DECALS.....	10
INTERIOR DECALS	12
GRINDER COMPONENTS	14
BREWER COMPONENTS	16
POWDER GROUP	18
Drive Components	18
Left & Middle Hopper Components.....	20
Right Hopper Components	22
Whipper Components	24
WATER GROUP.....	26
Boiler Components.....	26
Hot Water Tank Components	28
HOSE GROUP	30
Delivery Components.....	30
Water/Vent/Drain Components (Rear)	32
Water/Vent/Drain Components (Front).....	34
ELECTRICAL COMPONENTS.....	36
PREVENTIVE MAINTENANCE KITS.....	40

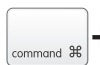
TIPS:



+



To **Search/Find** content in this document, use "**Ctrl+F**" (PC)



+

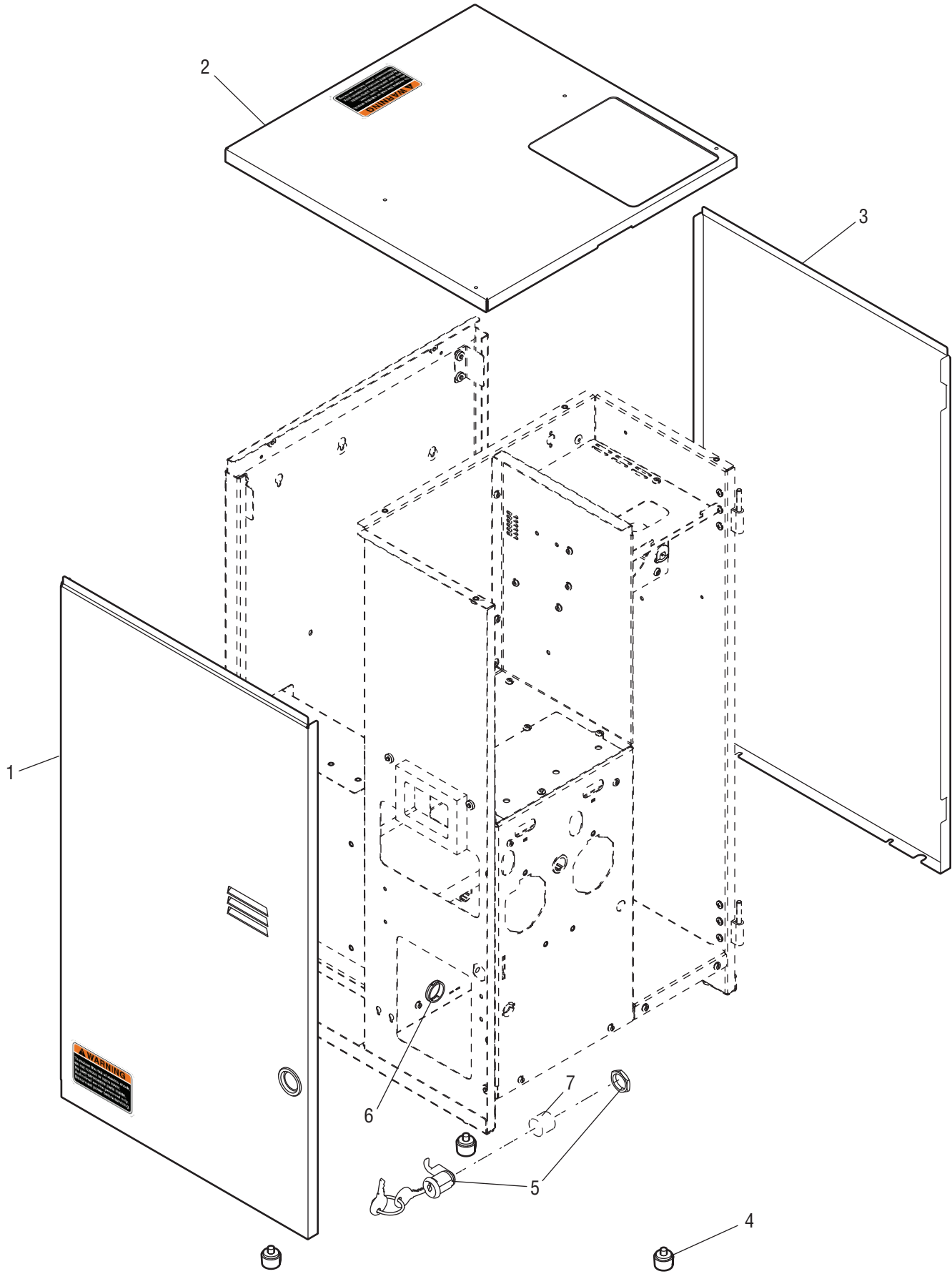


To **Search/Find** content in this document, use "**Command+F**" (Mac)



EXTERIOR COMPONENTS

Crescendo



EXTERIOR COMPONENTS

ITEM	PART NO.	QTY.	DESCRIPTION
1	49614.1002	1	Panel, Left Side w/Louvers and Warning Decal SST
2	50060.1020	1	Kit, Panel Top Cover Blk w/Warning Decal
3	49614.1003	1	Panel, Right Side w/Warning Decal SST
4	25137.0001	4	Foot, Blk
5	34472.1001	1	Lock Assembly
6	00718.0000	1	Bushing, Snap 1.125 Dia.
7	49672.0000	-	Spacer, Nylon (Not included with item 5)

The following items are not illustrated

8 [54427.0000](#) - Template, Thru Counter Cut-Out

[35164.0002](#)

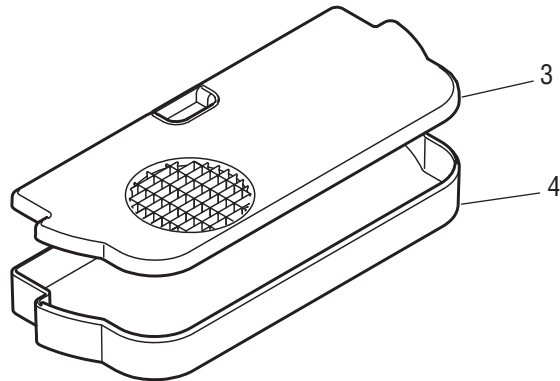
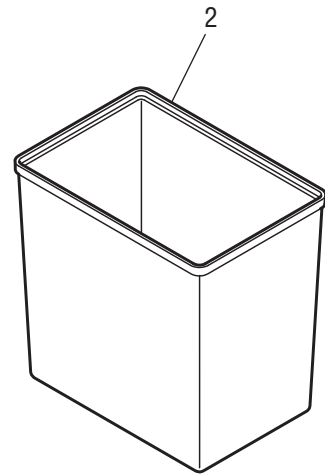
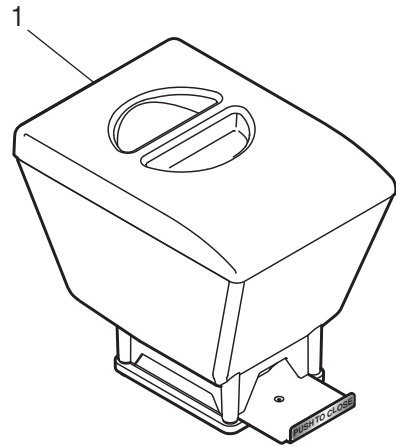
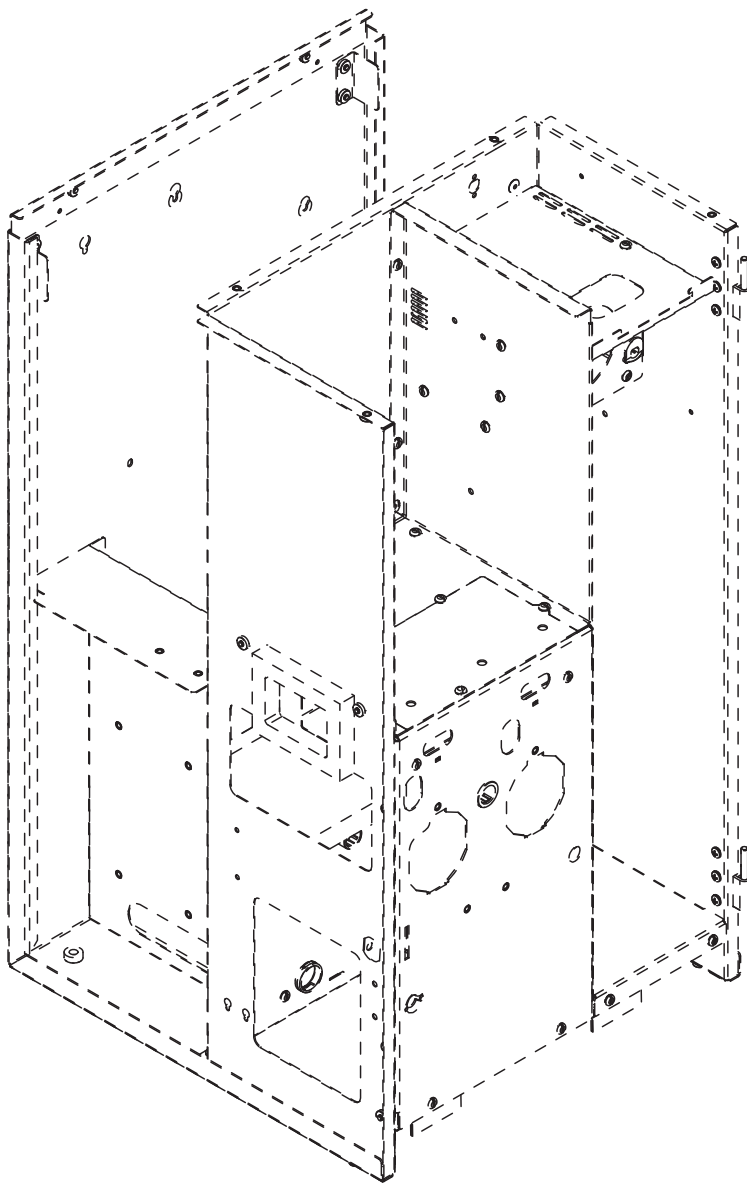
[53103.1000](#)

[47775.1000](#)



PARTS BOX COMPONENTS

Crescendo



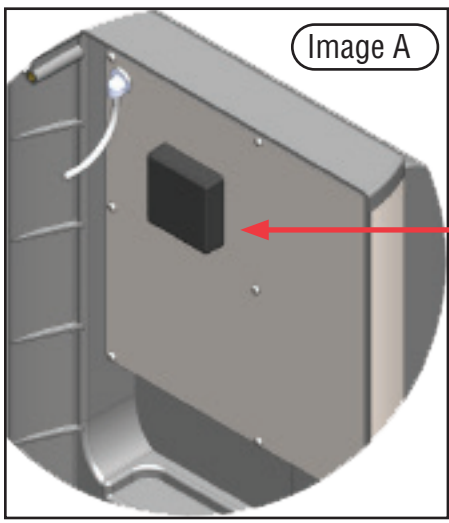
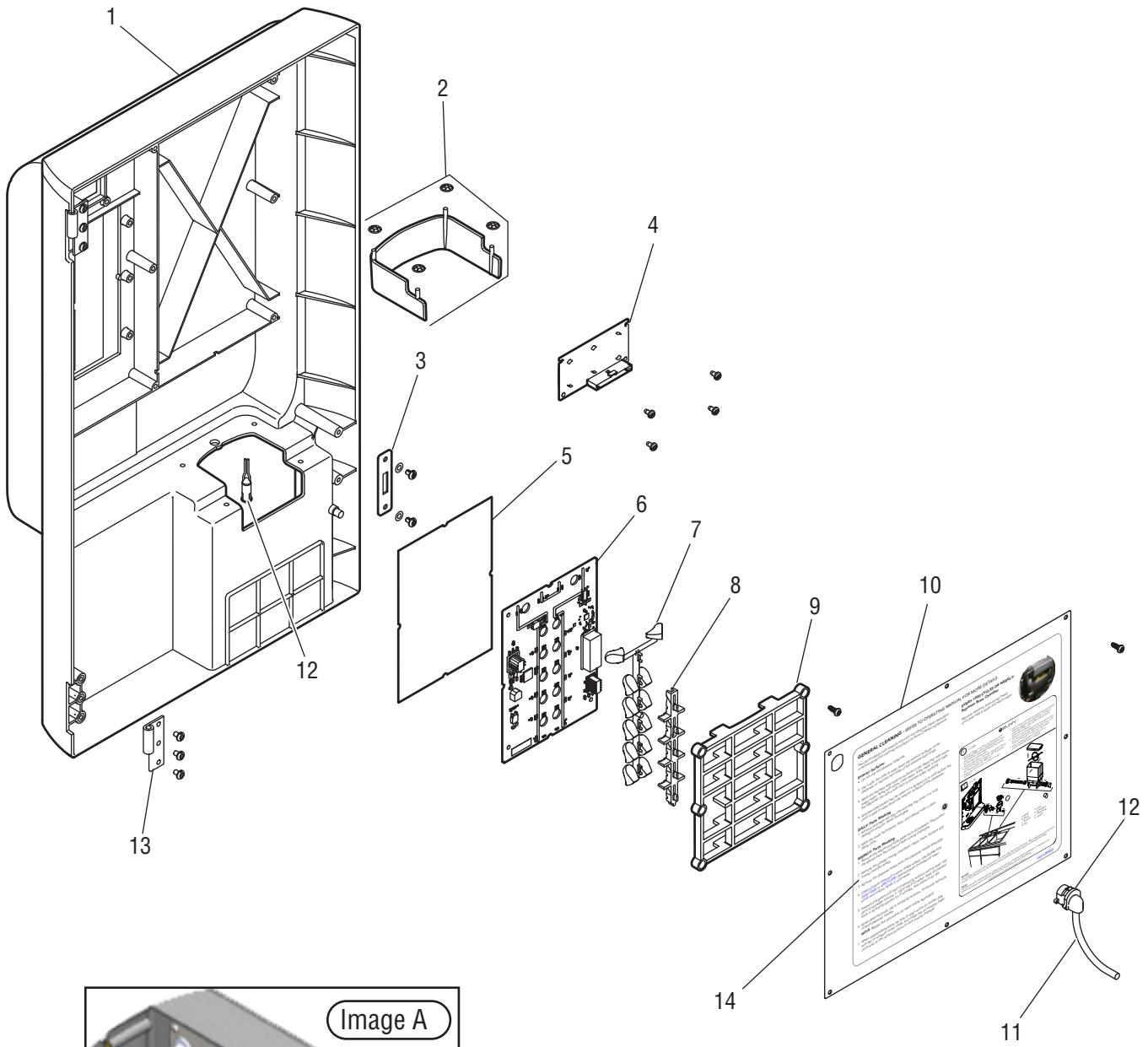
PARTS BOX COMPONENTS

ITEM	PART NO.	QTY.	DESCRIPTION
1	50828.1010	1	Kit, Hopper Assy (CE)
	50828.1011	1	Kit, Hopper Assy (NSF)
	50828.1711	1	Kit, Hopper Assy (Canada)
2	50586.0000	1	Bin, Puck Assy
3	50074.0000	1	Cover, Drip Tray
4	52975.1000	1	Drip Tray Assy
50906.1002			
	50920.0000		
	47254.0000		
	47775.1000		



DOOR COMPONENTS

Crescendo



Black plastic bump present on machines with New PCAP and Display.

Machines with Old PCAP and Display do not have black plastic bump.

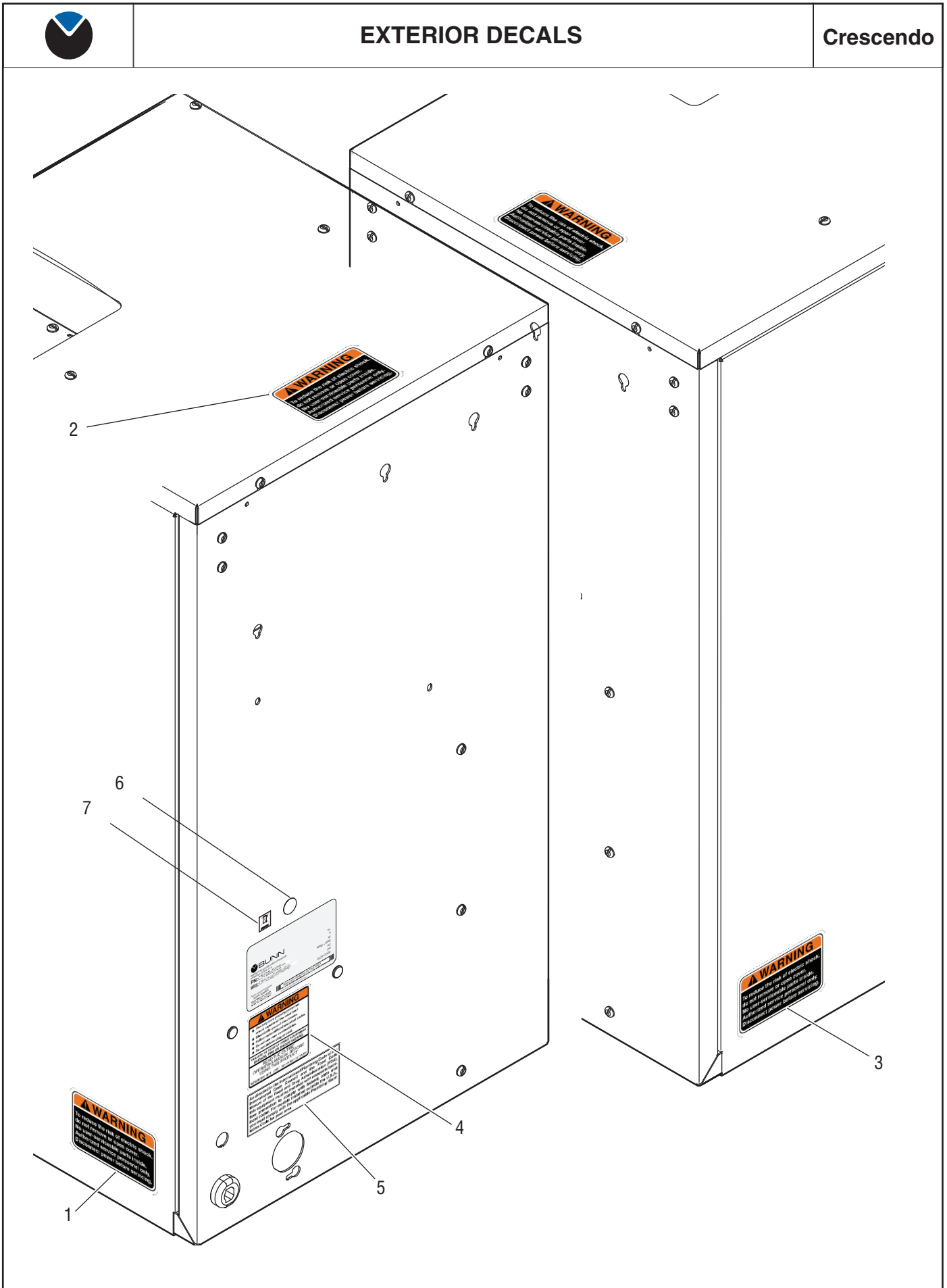
DOOR COMPONENTS

ITEM	PART NO.	QTY.	DESCRIPTION
1	49951.1001	1	Door Assy, Crescendo
2	49949.1000	1	Bezel, Door
3	49774.0000	1	Catch, Door Lock
	43231.0000	2	Washer
4	51239.0000	1	Display Assy, Espresso White LCD (Machine with OLD display, reference image A)
	01310.0000	4	Screw
	58641.0100	1	Display Assy, 2x16 Blue LCD (For machine with NEW display, reference image A)
5	51776.0001	1	Switch, Graphics (English) With Stop
	51776.0002	1	Switch, Graphics With Stop
	51776.0003	1	Switch, Graphics (M.E.)
	51776.0004	1	Switch, Graphics UK
	51776.0006	1	Switch, Graphics (Europe)
	51776.0012	1	Switch, Graphics (English) For Models: 44300.0201; .0214; & .0240 Only
	51776.8000	1	Switch, Graphics (Spanish)
	51776.8001	1	Switch, Graphics With Stop (Spanish)
	51776.7001	1	Switch, Graphics W Stop (English/French)
6	51227.0002	1	Touchswitch, PCAP (Machine with OLD display, reference image A)
	51227.0004	1	PCAP Touchswitch CRESCENDO V123 (For machine with NEW display, reference image A)
7	52575.1000	1	Light Pipe w/Gasket
8	52504.0001	1	Baffle, Light Pipe
9	50866.0000	1	Bracket, PCAP CBA Retainer
	44224.0000	6	Screw
10	50851.0001	1	Panel, Inner Door
	44224.0000	9	Screw
11	51511.0000	1	Wire Harness, Door INTRC
12	47555.0000	1	Bushing, Strain Relief
13	49550.0001	2	Hinge
	32283.0001	6	Screw
14	55319.0000	1	Decal, Cleaning



EXTERIOR DECALS

Crescendo



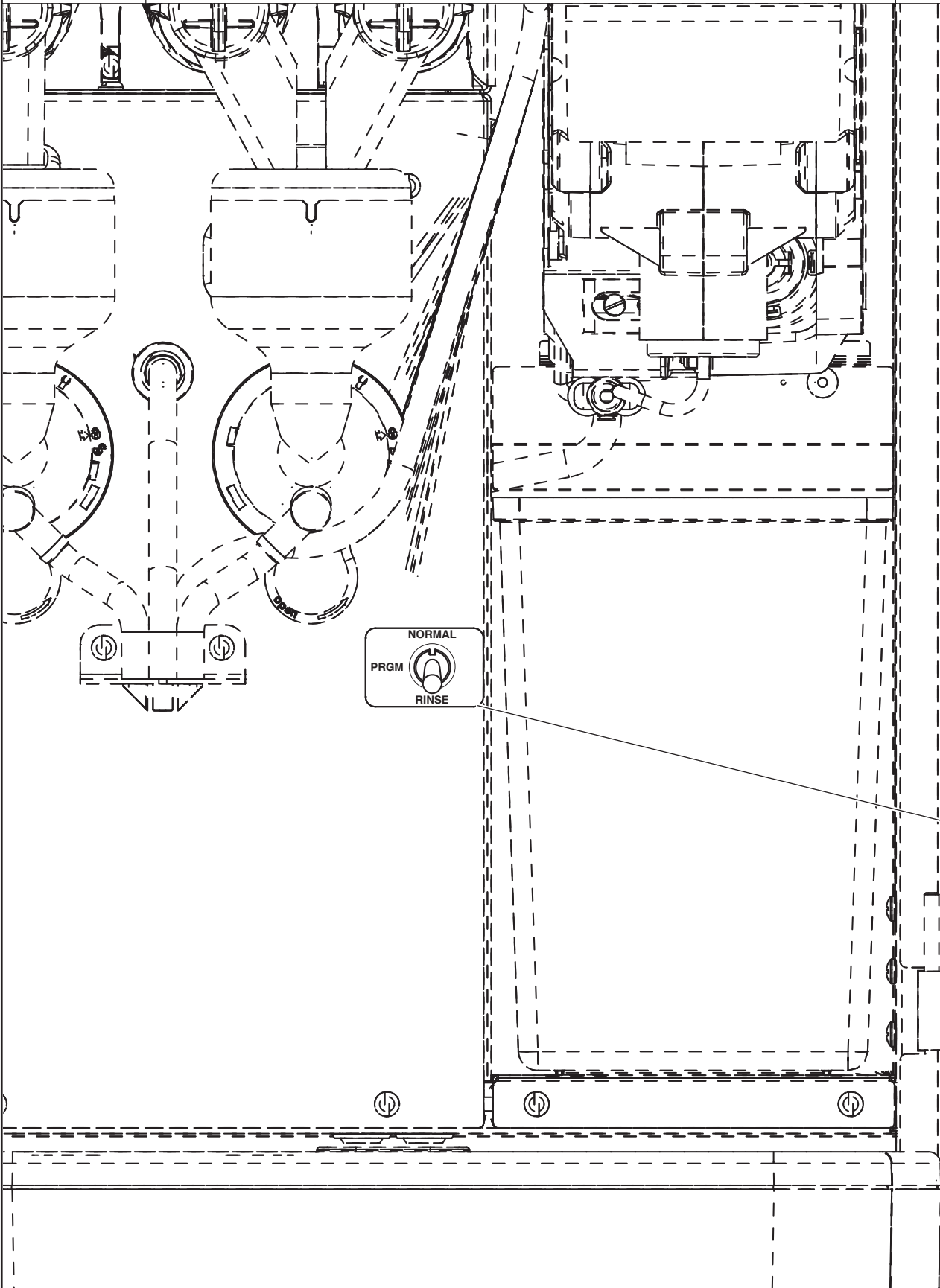
EXTERIOR DECALS

ITEM	PART NO.	QTY.	DESCRIPTION
1	37881.0000	1	Decal, Warning No Service Parts
2	37881.0000	1	Decal, Warning No Service Parts
3	37881.0000	1	Decal, Warning No Service Parts
4	00986.0002	1	Decal, Warning Electrical
5	00656.0001	1	Decal, Comply To Plumbing Code
6	39823.0000	1	Decal, EFUP 25 Years
7	32222.0000	1	Decal, XD-Out Wheelie Bin



INTERIOR DECALS

Crescendo



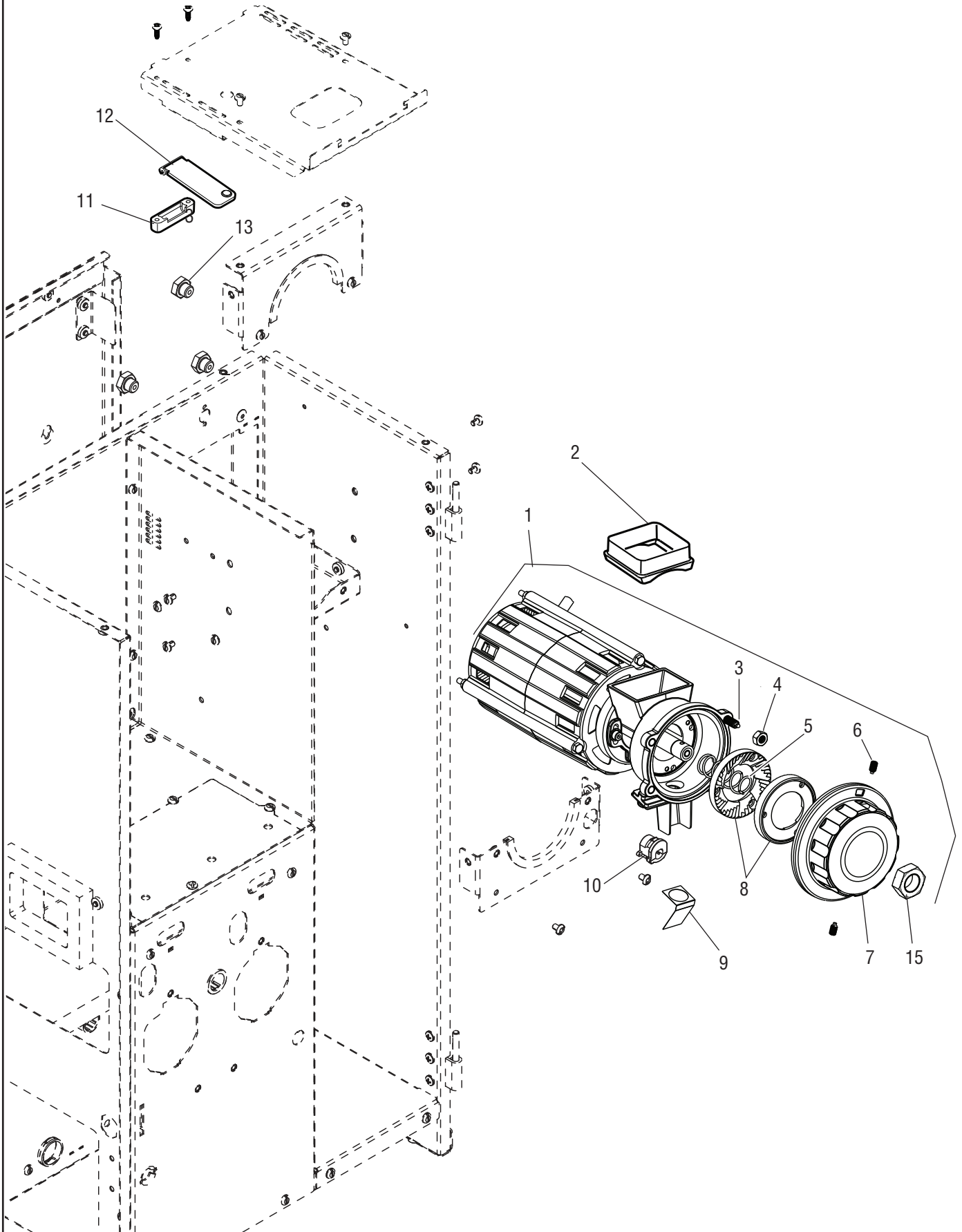
INTERIOR DECALS

ITEM	PART NO.	QTY.	DESCRIPTION
1	44980.0000	1	Decal, Norm-Prog-Rinse
	44980.7010	1	Decal, Norm-Prog-Rinse (English / French)



GRINDER COMPONENTS

Crescendo



GRINDER COMPONENTS

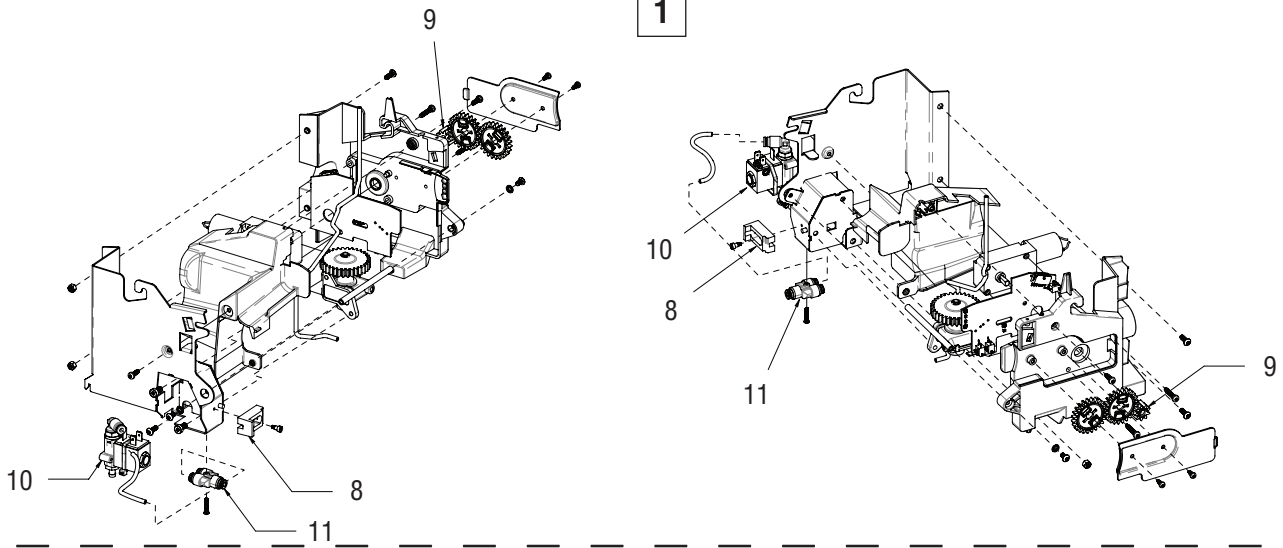
ITEM	PART NO.	QTY.	DESCRIPTION
1	53345.1001 50811.0103	1	Kit, Grinder/Knob Assy 120V (includes capacitor) Capacitor, 45MF 440V for 120V machines
	53345.1000 50811.0104	1	Kit, Grinder/Knob Assy 230V (includes capacitor) For 44300.0200 & Capacitor, 14MF 440V for 230V machines 44300.0202 prior to S/N:
	53345.1002 50811.0105	1 1	Kit, Grinder/Knob Assy 200-240V (includes capacitor) For 44300.0200 & Capacitor 18MF 450V for 200-240V 44300.0202 after to S/N:
2	52038.0001	1	Collar, Bean Collector
3	52980.0000	1	Plunger, Spring M6 x 1.0
4	52981.0000	1	Nut, Hex M6 SST
5	50811.0101	1	Auger Wire, EMH-54
6	52997.0001	2	Set Screw, Nylon Tip M5 x .812mm
7	52919.0000	1	Dial Assembly, Grinder Adjustment (Early Models)
8	50811.0102	2	Grinding Burrs, Set - 54mm Steel
9	50811.0100	1	Flapper, Coffee Dechaffer
10	47280.0001	1	Bushing, Strain Relief
11	52631.0001	1	Pivot Mount, Switch Paddle
12	52630.0001	1	Paddle, Interlock Switch
13	50555.0001	3	Nut, Shoulder M4 x 7
14	02536.1000	3	Kit, Grommet (10/Kit) .375 ID (Not Shown)
15	50811.0106	1	Nut, Hex M16 x 1.0 (Late Models)



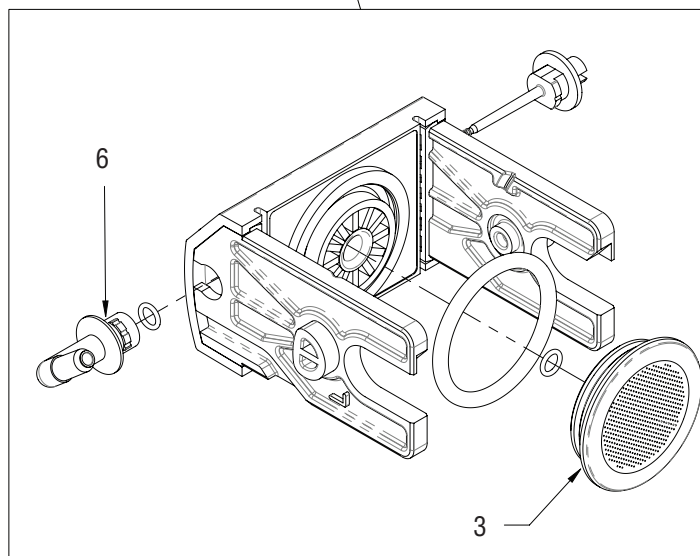
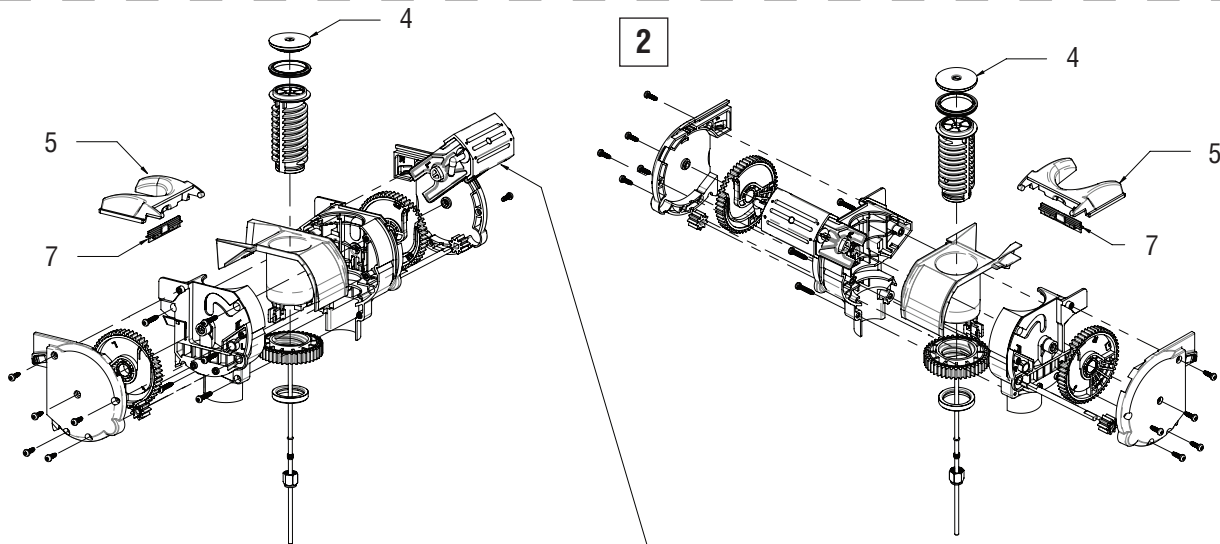
BREWER COMPONENTS

Crescendo

1



2



BREWER COMPONENTS

ITEM	PART NO.	QTY.	DESCRIPTION
1	50583.0501	1	Drive, Motor - Espresso Group
2	50583.0502	1	Head, Brew - Espresso Group
3	50583.0016	1	Kit, Filter (Includes O-Rings)
4	50583.0017	1	Kit, Piston
5	50583.0021	1	Wiper Assembly (Includes item 7)
6	50583.0022	1	Outlet
7	50583.0014	1	Insert, Wiper Blade
8	50583.0015	1	Slide Lock
9	54879.0000	1	Gear, Drive Pinion
10	54979.0001	1	Valve Assembly, Drain
11	53418.0000	1	Fitting

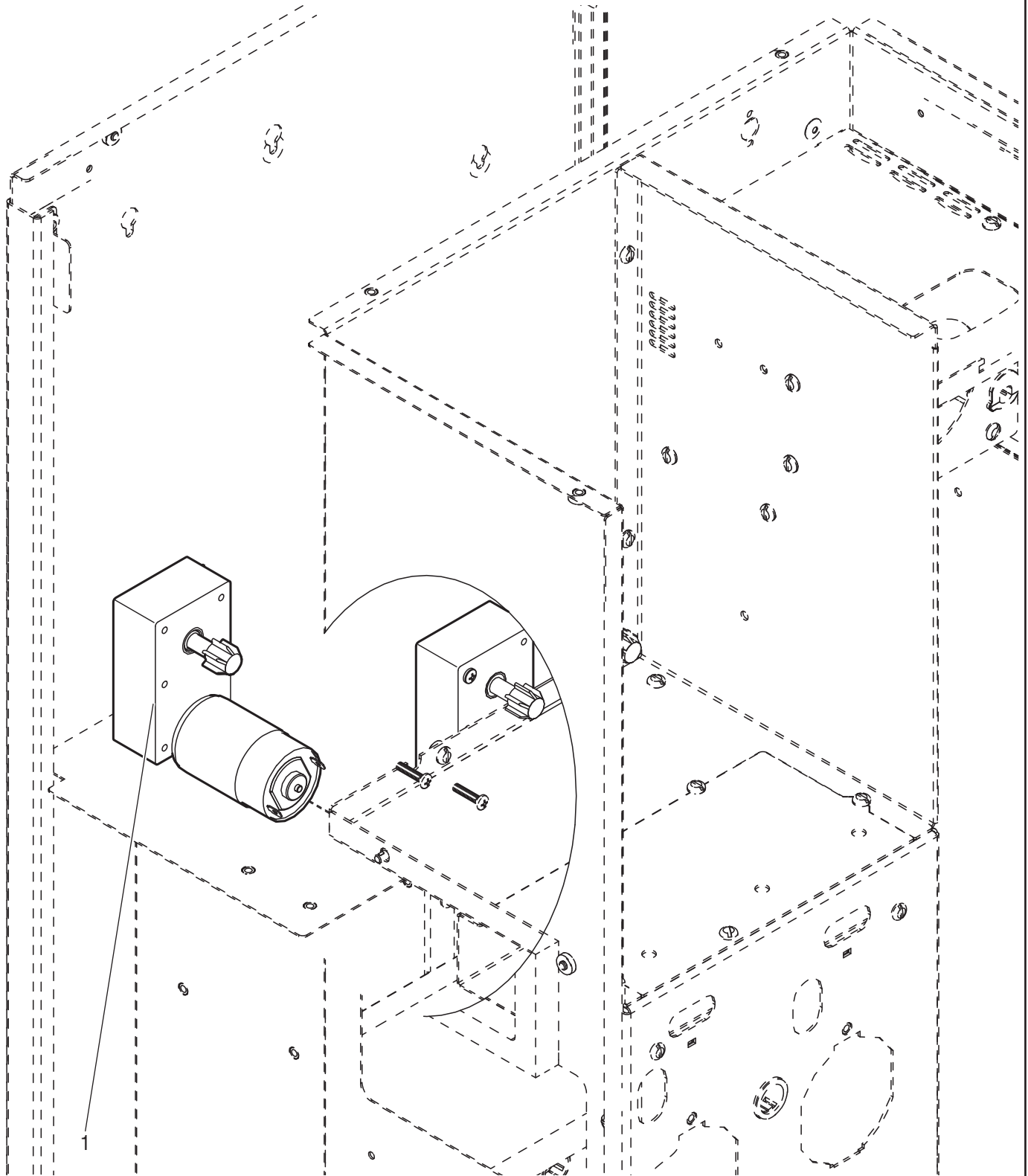
The following items are not illustrated

12	50583.0500	1	Espresso Brewer, Variable Shot Crescendo (Includes 1 & 2)
13	54878.0000	1	Tube, Silicone 2mm ID x 25.0"
14	58630.0000	1	Kit, Espresso Group Mounting Rod
		1	Rod, Espresso Group Mounting
		2	Screw, SST Sltd Pnh M4 x 6mm

Included in Item 14



Drive Components



POWDER GROUP Drive Components

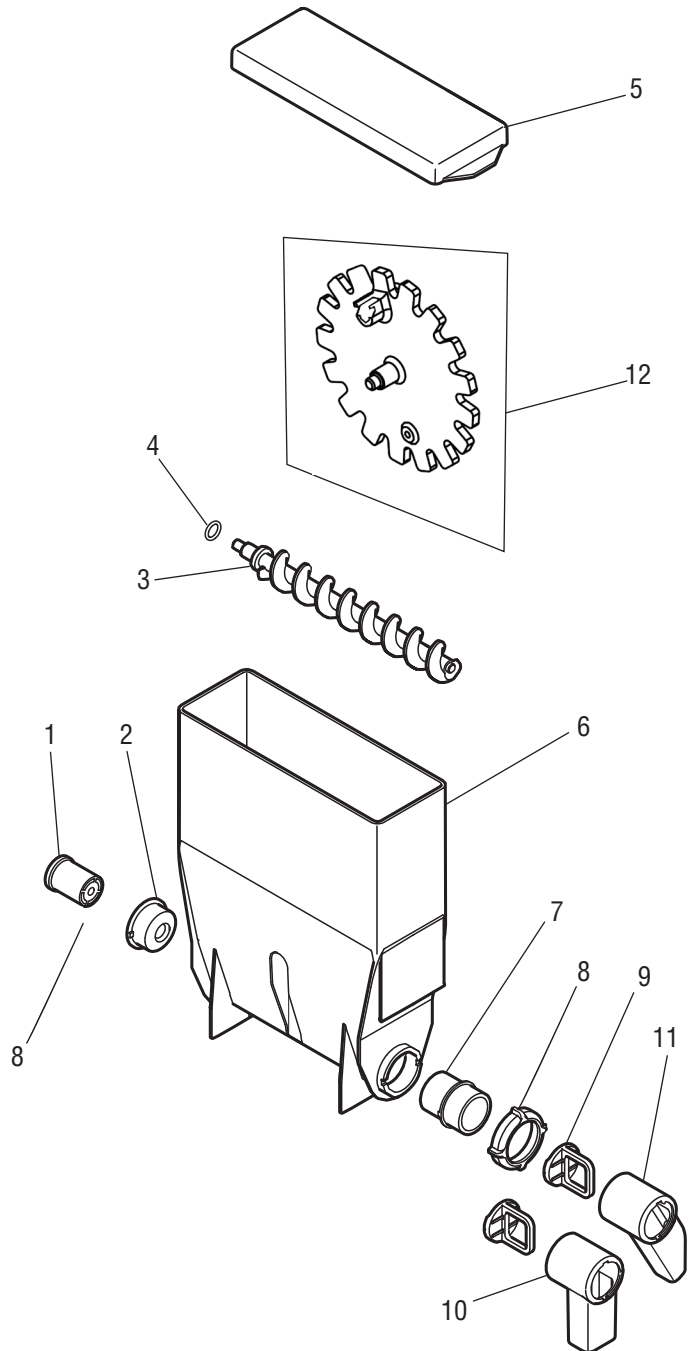
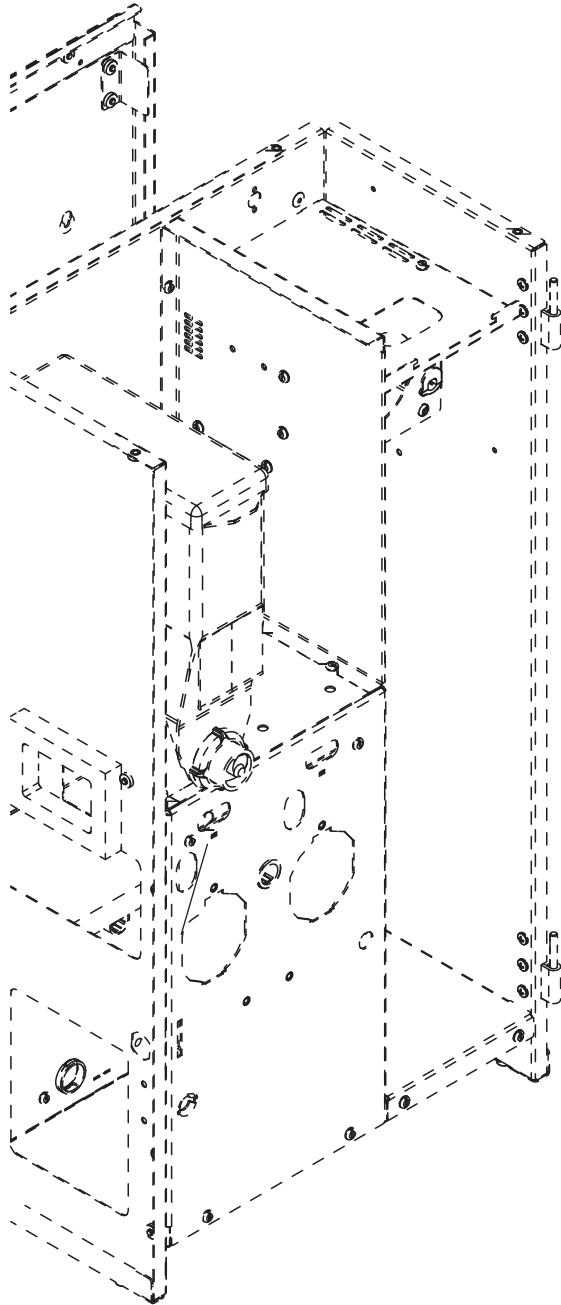
ITEM	PART NO.	QTY.	DESCRIPTION
1	43583.1000	3	Kit, Gear Motor



POWDER GROUP

Crescendo

Left & Middle Hopper Components

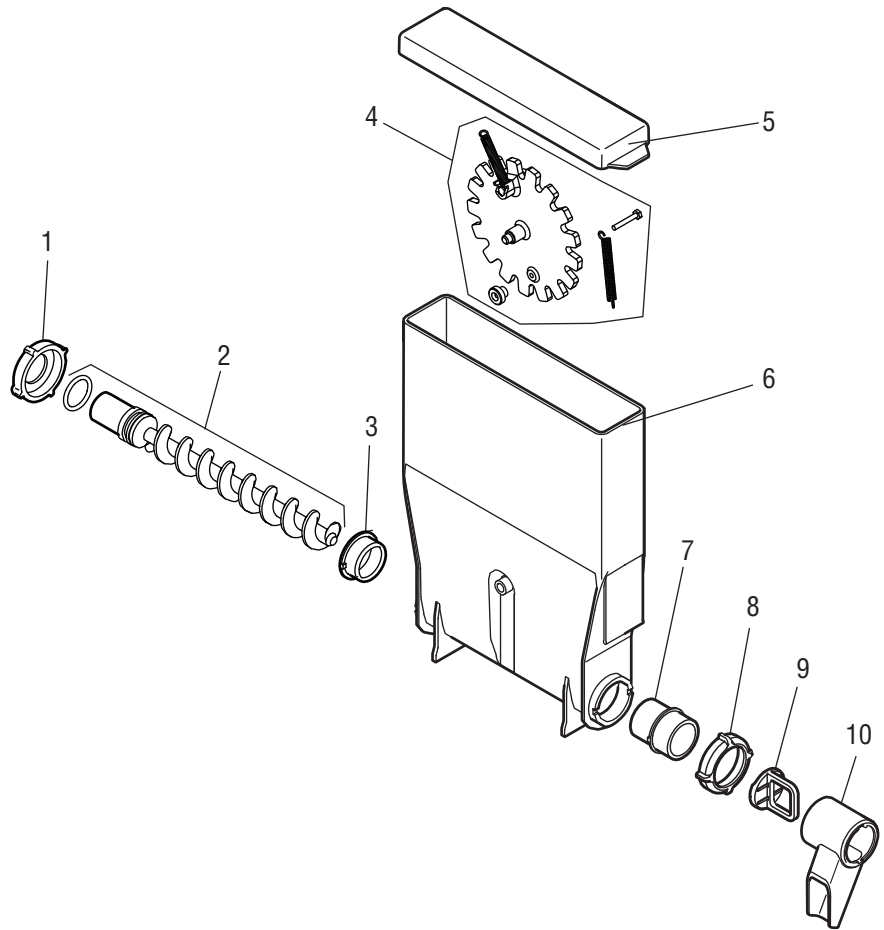
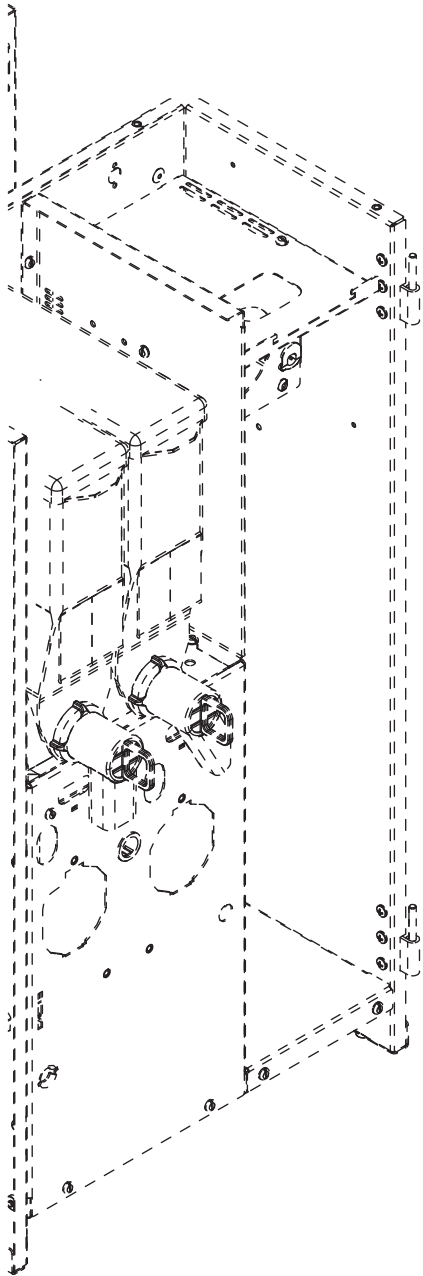


POWDER GROUP Left & Middle Hopper Components

ITEM	PART NO.	QTY.	DESCRIPTION
	50592.0000	2	Hopper Assembly (includes items 1-8)
1	45155.0000	2	Coupler, Auger Drive
2	45153.0000	2	Flange, Rear Metal Shaft Auger
3	45154.0000	2	Auger, .74 Pitch w/Metal Shaft
4	45156.0000	2	O-Ring, Hopper Shaft Seal
5	50592.0002	2	Lid, Hopper - 67mm Wide
6		2	Body, Hopper - 67mm x 240mm HT
7	45048.0000	2	Bearing, Auger - Front
8	45049.0000	4	Nut, Auger Bearing - Front
9	49967.0000	2	Slide Gate, Soluble Hopper Closure
10	49966.0000	1	Elbow, Hopper with Closure - Center
	49966.1000	1	Kit, Center Elbow with Slide Gate
11	49966.0001	1	Elbow, Hopper with Closure - Left
	49966.1001	1	Kit, Left Elbow with Slide Gate
12	50592.0004	1	Mixing Wheel, Left/Middle HPR



Right Hopper Components

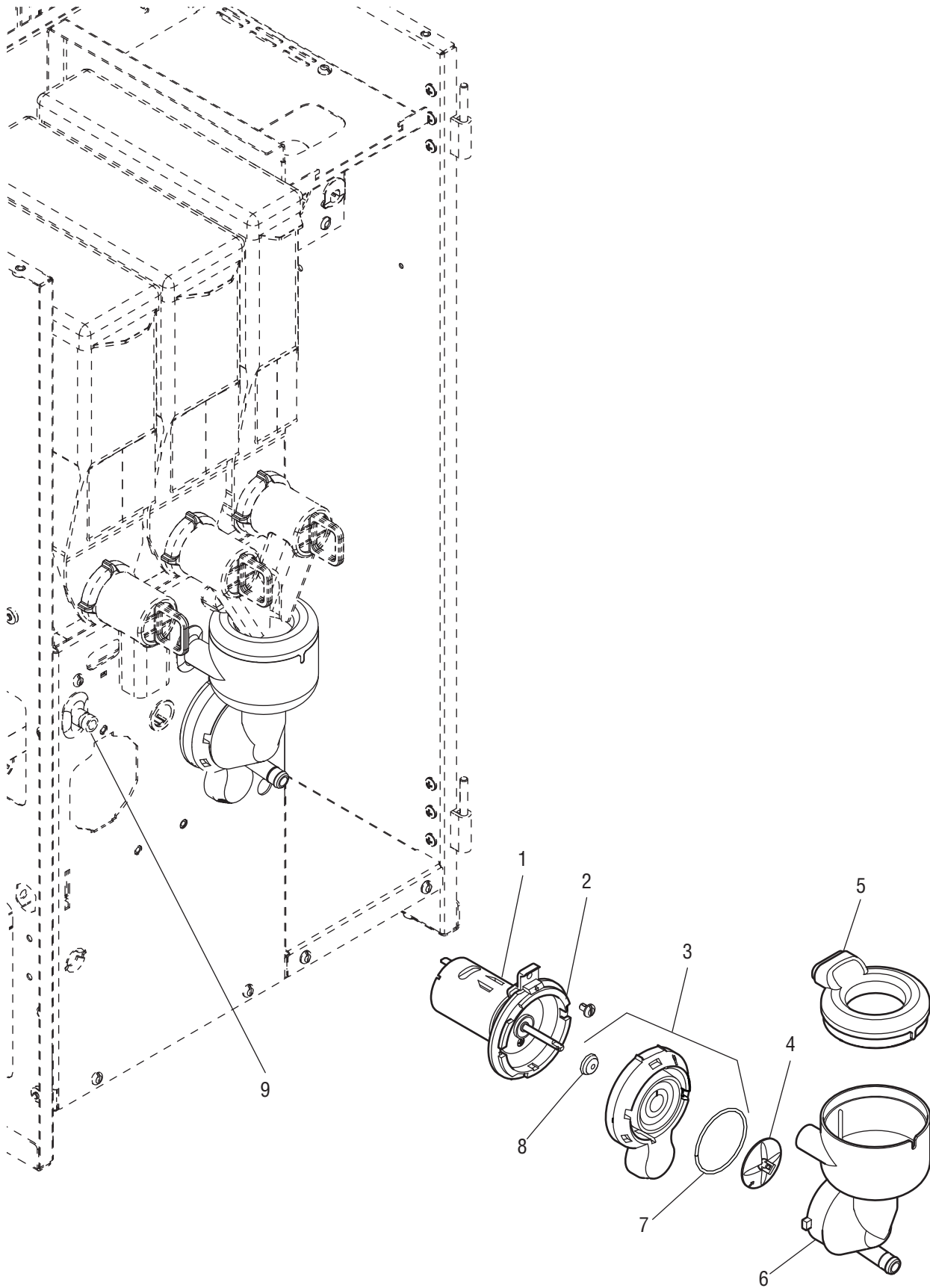


POWDER GROUP Right Hopper Components

ITEM	PART NO.	QTY.	DESCRIPTION
	42201.0010	1	Hopper Assembly (includes items 1-8)
1	45052.0000	1	Nut, Auger Bearing - Rear
2	45051.0000	1	Auger, Hopper w/O-Ring
3	45050.0000	1	Bearing, Auger - Rear
4	45053.1000	1	Kit, Mixing Wheel Assy
5	45054.0000	1	Lid, Hopper
6	45047.0000	1	Body, Hopper - 45mm x 240mm HT
7	45048.0000	1	Bearing, Auger - Front
8	45049.0000	1	Nut, Auger Bearing - Front
9	49967.0000	1	Slide Gate, Soluble Hopper Closure
10	49966.0002	1	Elbow, Hopper with Closure - Right
	49966.1002	1	Kit, Right Elbow with Slide Gate



Whipper Components



POWDER GROUP Whipper Components

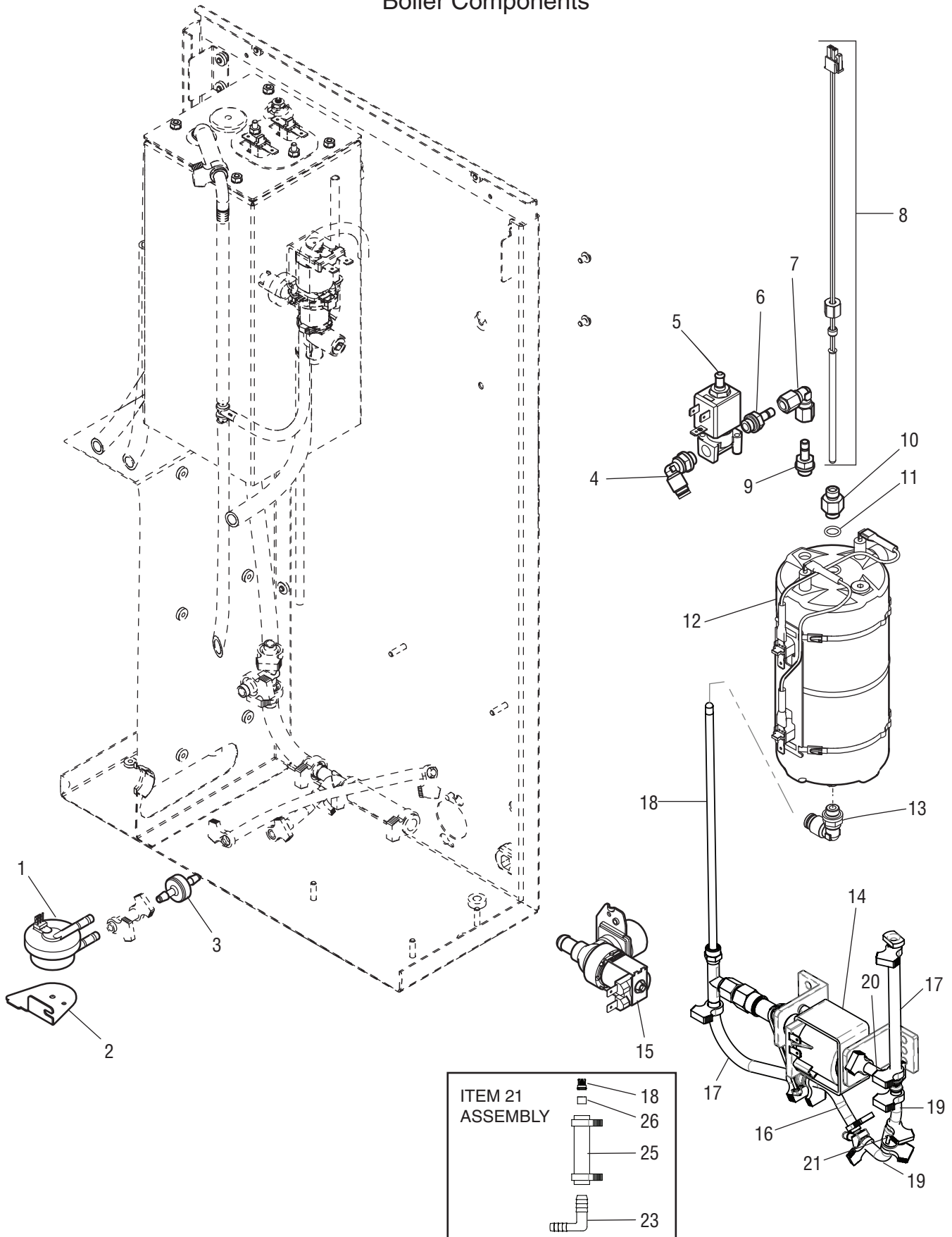
ITEM	PART NO.	QTY.	DESCRIPTION
1	50596.0000	2	Whipper Motor (CE Only)
	50596.0002	2	Whipper Motor (All Others)
2	57609.0000	2	Kit, Whipper Motor Base w/Screws
3	50595.0000	2	Base, Blender (Includes items 6 & 7)
4	50593.0000	2	Impeller, 4mm
5	50597.0000	2	Steam Trap - 247 Series
6	50594.0000	2	Mixing Chamber - 247 Series
7	50595.0001	2	O-Ring, 1.48 ID Blender Base
8	50595.0002	2	Gasket, Silicone Blender Base
9	50598.0000	1	Inlet Adapter



WATER GROUP

Crescendo

Boiler Components



WATER GROUP Boiler Components

ITEM	PART NO.	QTY.	DESCRIPTION
1	36382.1000	1	Flowmeter (includes push nut)
2	49619.0001	1	Bracket, Flow Meter MTG
3	50589.0000	1	Filter, In-Line 200Mesh .188 Barb
4	50405.0001	1	Elbow, Swvl .125BSPP to 4mm Push to Conn
5	50408.0000	1	Valve, Solenoid 3-Way 24VDC, .125BSPP
6	50406.0000	1	Fitting, Male Stand Pipe, .125 BSPP to 6mm
7	50407.0000	1	Elbow, Compression 6mm Equal
8	12568.1016	1	Kit, Temperature Probe, 7.38 LG (includes Ferrule Nut & Compression Ferrule)
9	50406.0000	1	Fitting, Male Stand Pipe, .125 BSPP to 6mm
10	49864.0001	1	Fitting, Connector, .125BSPP to .19CPRSN
11	24733.0001	1	O-Ring, -011 EP 70
12	46005.1001	1	Kit, Coffee Boiler
	54360.0000	1	Kit, Coffee Boiler Thermostat (not shown)
13	50403.0001	1	Elbow, Swvl .125BSPP to 6mm Push to Conn
14	58741.1001	1	Kit, Pump Assy, 120V 60Hz w/Bypass
	58741.1000	1	Kit, Pump Assy, 230V 50Hz w/Bypass
	58741.1003	1	Kit, Pump Assy, 220V 60Hz w/Bypass
15	36233.0047	1	Valve, Inlet, .53 GPM 24VDC
16	50733.0008	1	Tube, Silicone 5mm ID x 8mm OD x 2.5Lg (Order item 23)
17	50732.0000	2	Tube, Silicone 6mm ID x 9mm OD 5.0Lg (Order item 24)
18	50734.0000	1	Tube, Fep clear 4mm ID x 6mm OD x 9.0Lg (Order item 22)
19	50733.0007	2	Tube, Silicone 5mm ID x 8mm OD x 1.5Lg (Order item 23)
20	50733.0003	1	Tube, Silicone 5mm ID x 8mm OD x 1.25Lg (Order item 23)
21	52436.0000	1	Check Valve Assy, .25 Barb Inlet (Includes items: 18, 23, 25, 26)

The following items are not illustrated

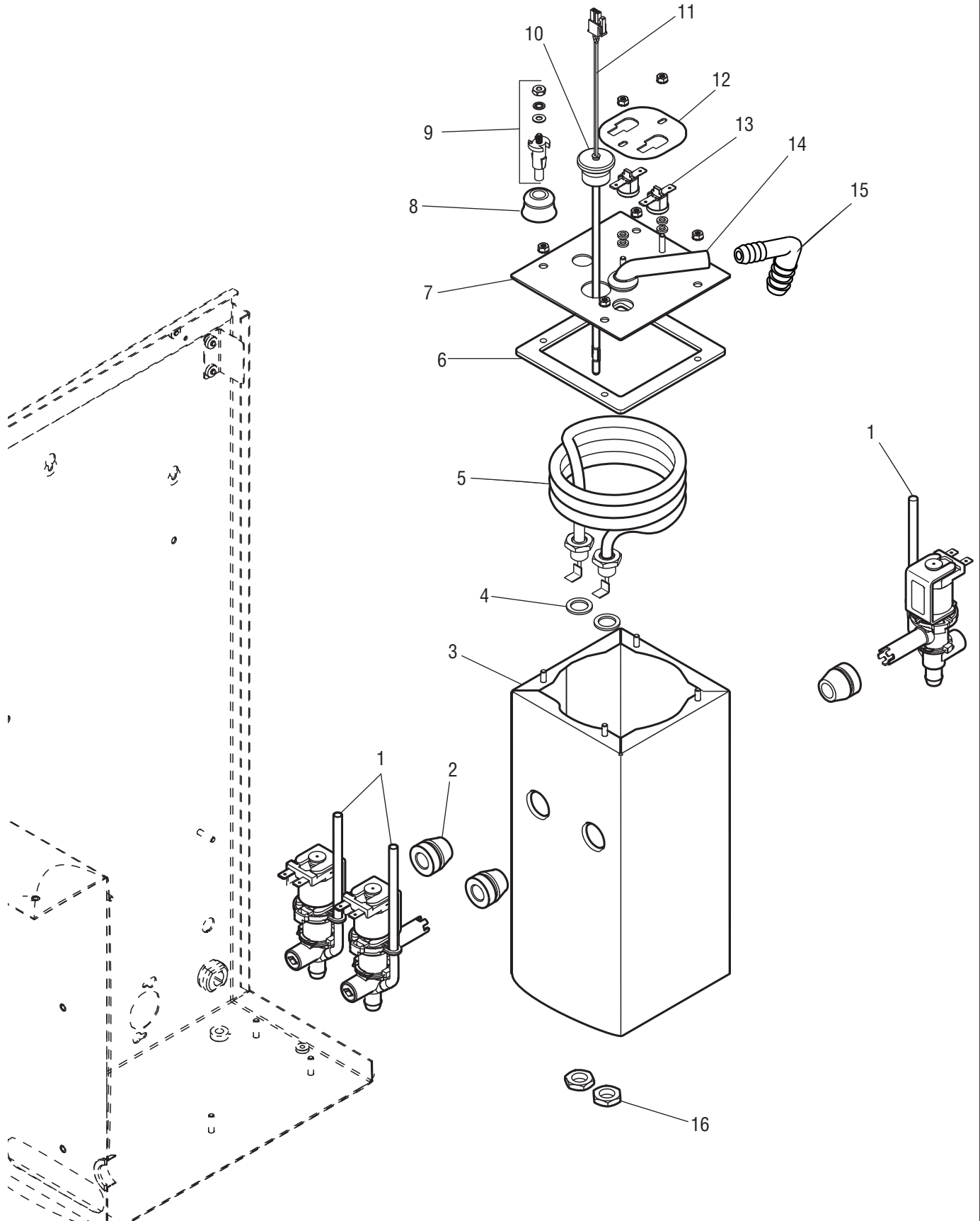
22	50734.1000	-	Kit, Tube Fep Clear 4mm ID x 6mm OD 12in
	50734.1001	-	Kit, Tube Fep Clear 4mm ID x 6mm OD 3ft
	50734.1002	-	Kit, Tube Fep Clear 4mm ID x 6mm OD 10ft
23	50733.1000	-	Kit, Tube Silicone 5mm ID x 8mm OD 12in
	50733.1001	-	Kit, Tube Silicone 5mm ID x 8mm OD 3ft
	50733.1002	-	Kit, Tube Silicone 5mm ID x 8mm OD 10ft
24	50732.1000	-	Kit, Tube Silicone 6mm ID x 9mm OD 12in
	50732.1001	-	Kit, Tube Silicone 6mm ID x 9mm OD 3ft
	50732.1002	-	Kit, Tube Silicone 6mm ID x 9mm OD 10ft



WATER GROUP

Crescendo

Hot Water Tank Components



WATER GROUP Hot Water Tank Components

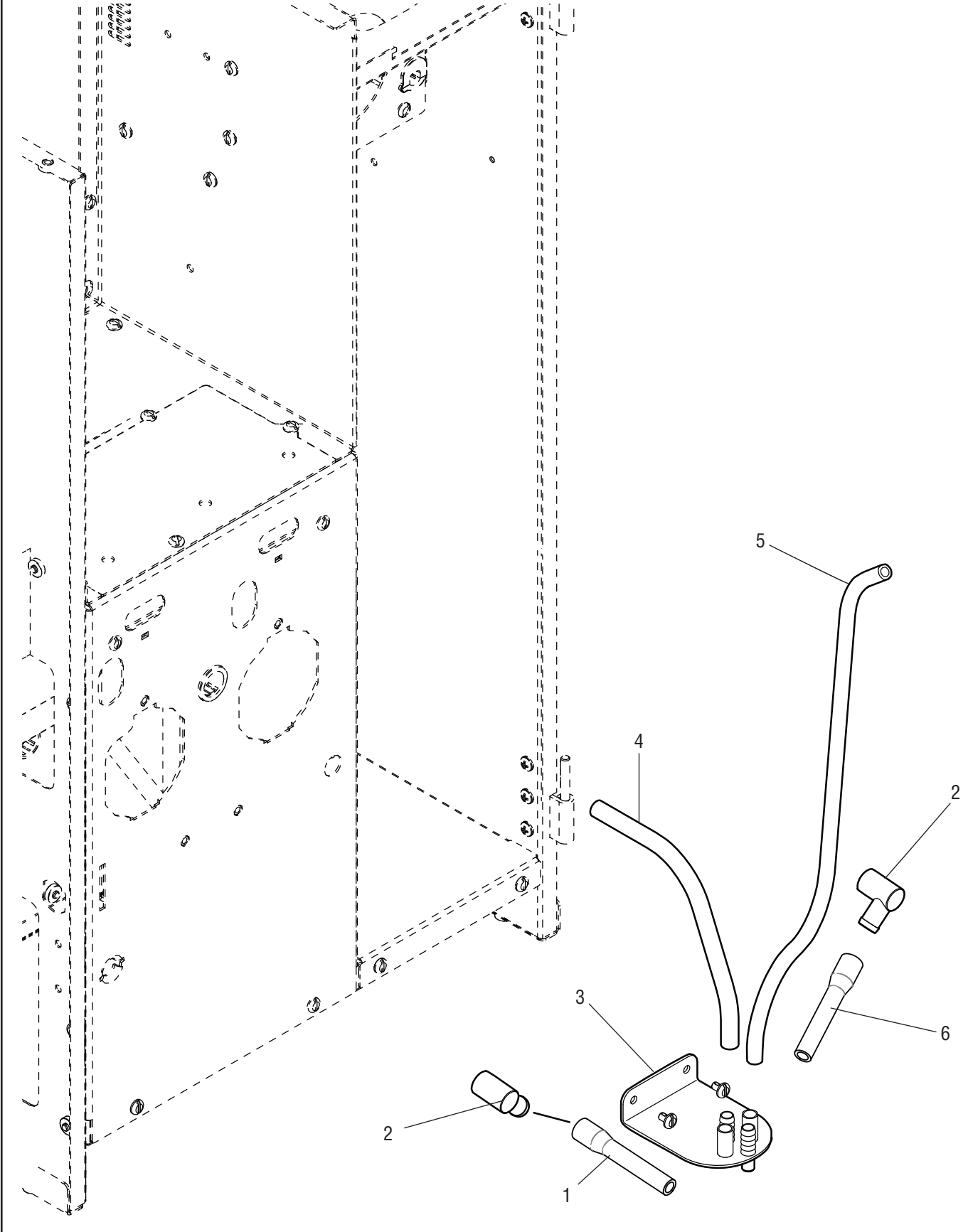
ITEM	PART NO.	QTY.	DESCRIPTION
1	39285.0010 45965.1000	3 -	Valve, Liquid Disp Vent 24VDC No Flg Kit, Valve Liquid Dispense
2	39285.0020	3	Grommet, Dispense Valve, .47ID x .83OD
3	48411.0001	1	Tank, WLDMT, 1.5 GAL Three Valve
4	00943.0000	2	Gasket, Tank Heater
5	02756.1000	1	Tank Heater Kit, 1800W 120V
	02805.0000	1	Heater, Tank, 1850W 240V
6	50022.0001	1	Gasket, 4.5In Square Tank
7	51247.0000	1	Lid, Tank WLDMT 4.5 x 4.5
	47490.0000	4	Nut, Keps M4 SST
8	38114.0000	1	Grommet, Silicone w/Flange
9	07412.1003	1	Probe, Liquid Level (1.55 LG)
10	33801.0003	1	Grommet, Temp Sensor
11	38855.1000	1	Kit, Probe Assy Crescendo
12	46043.0002	1	Plate, Dual Thermal Limit Retainer
13	50291.0000	2	Thermostat, Sensata 221-239F, MNL Reset
14	38969.0003	1	Fitting, 90° Tank Vent, Silicon
15	34282.0000	1	Elbow, SST .312 Hose ID One End
16	00942.0000	2	Nut, Hex, Brass 500-20



HOSE GROUP

Crescendo

Delivery Components



HOSE GROUP Delivery Components

ITEM	PART NO.	QTY.	DESCRIPTION
1	54703.0001	1	Fitting, Dispense Silicone SI
2	39312.0000	2	Fitting, Outlet Pipe SLCC-6
3	50688.0000	1	Bracket, Assy Outlet
4		1	Tube, Silicone 6mm ID x 6.5" (order item 7)
5		1	Tube, Silicone 5mm ID x 12.0" (order item 8)
6	54703.0001	1	Fitting, Dispense Silicone SI

The following items are not illustrated

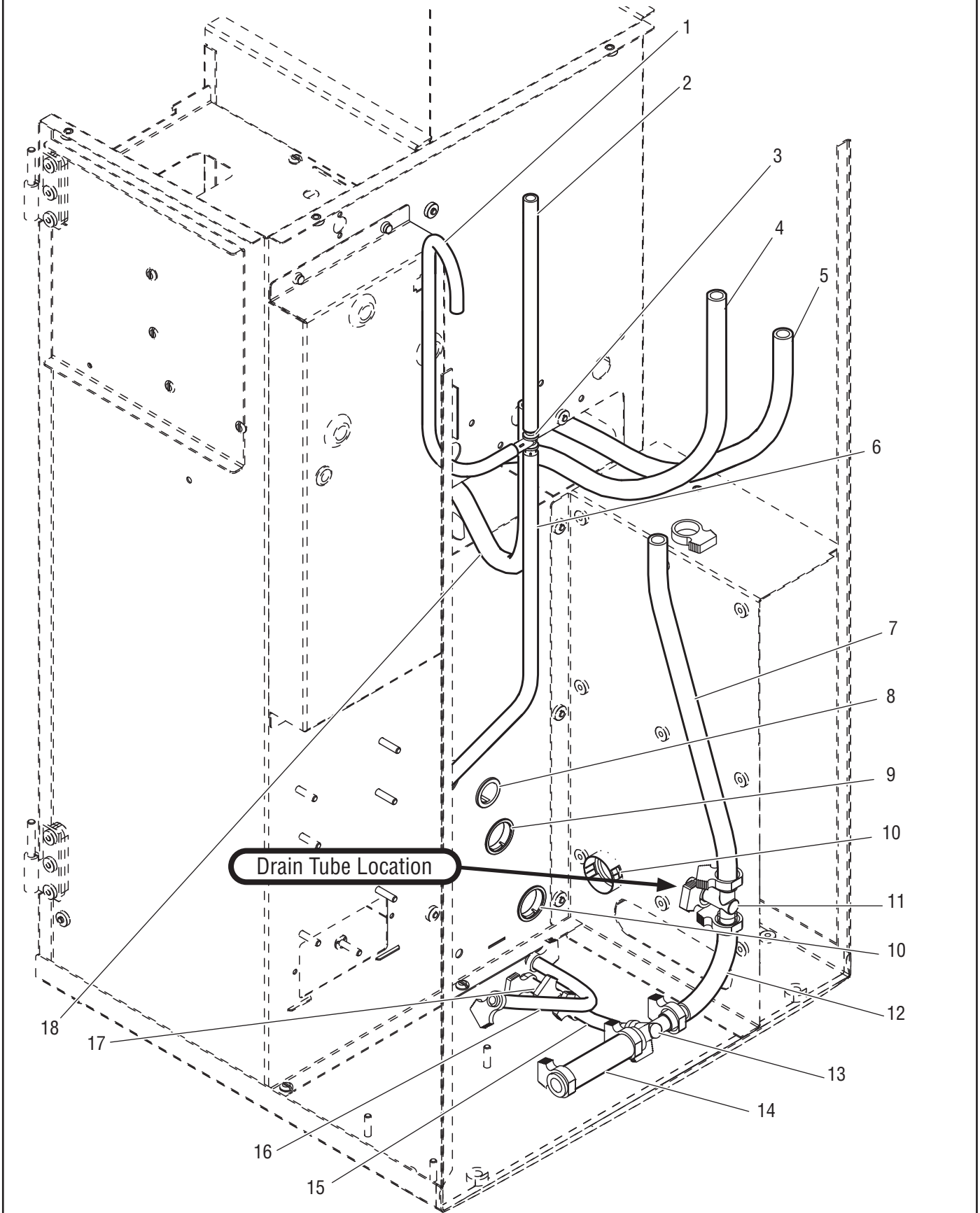
7	50732.1001	-	Tube, Silicone 6mm ID x 36.0" (Use as required)
8	50733.1001	-	Tube, Silicone 5mm ID x 36.0" (Use as required)



HOSE GROUP

Crescendo

Water/Vent/Drain Components (Rear)



HOSE GROUP Water/Vent/Drain Components (Rear)

ITEM	PART NO.	QTY.	DESCRIPTION
1		1	Tube, Silicone 5mm ID x 14.0" (order item 21)
2		1	Tube, Silicone 6mm ID x 6.8" (order item 20)
3	42775.0000	1	Tee, Fitting .250" x .250" x .250"
4		1	Tube, Silicone 8mm ID x 14.5" (order item 19)
5		1	Tube, Silicone 8mm ID x 16.4" (order item 19)
6		1	Tube, Silicone 6mm ID x 18.7" (order item 20)
7		1	Tube, Silicone 8mm ID x 9.0" (order item 19)
8	07070.0000	1	Bushing, Snap .687 Dia. MTG
9	27354.0000	2	Bushing, Snap .875 Dia. MTG
10	01592.0000	1	Bushing, Snap 1.0 Dia. MTG
11	38948.0001	1	Fitting, Tee .375" Barb - PVDF
		1	Drain Tube, Silicone .38 ID x 24.0" LG (Item not illustrated, order item 22)
12		1	Tube, Silicone 8mm ID x 6.0" (order item 19)
13	51956.0000	1	Tee, .18" x .38" x .38" Barbed PVDF
14		1	Tube, Silicone .375" x 2.75" (order item 22)
15		1	Tube, Silicone 5mm ID x 2.2" (order item 21)
16		1	Tube, Silicone 5mm ID x 17.0" (order item 21)
17		1	Tube, Silicone 5mm ID x 1.25" (order item 21)
18		1	Tube, Silicone 8mm ID x 17.0" (order item 19)

The following items are not illustrated

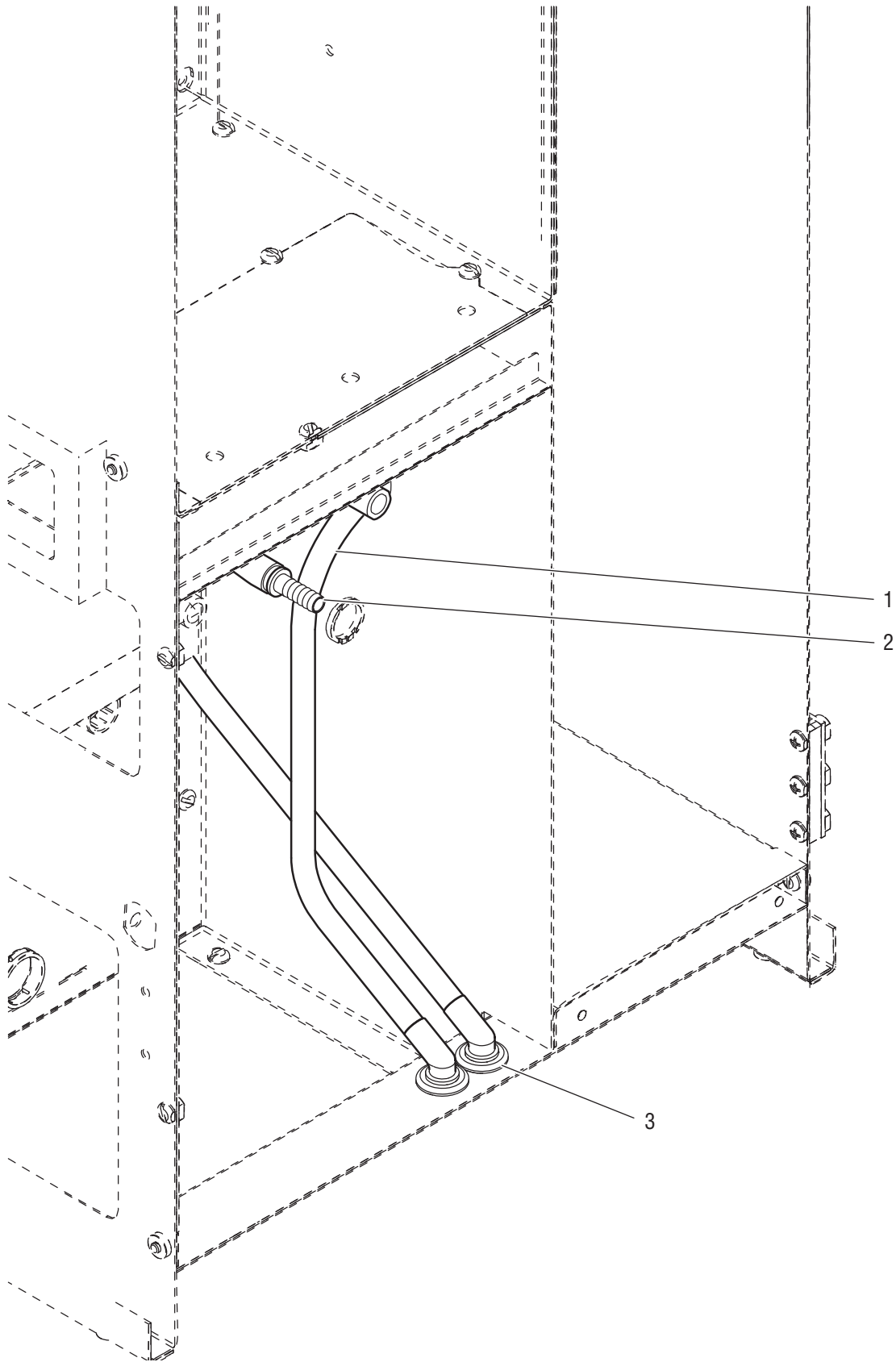
19	50731.1001	-	Tube, Silicone 8mm ID x 36.0" (Use as required)
20	50732.1001	-	Tube, Silicone 6mm ID x 36.0" (Use as required)
21	50733.1001	-	Tube, Silicone 5mm ID x 36.0" (Use as required)
22	20976.1000	-	Tube, Silicone .375" ID x 12.0" (Use as required)
	20976.1001	-	Tube, Silicone .375" ID x 36.0" (Use as required)
	20976.1002	-	Tube, Silicone .375" ID x 120.0" (Use as required)



HOSE GROUP

Crescendo

Water/Vent/Drain Components (Front)



HOSE GROUP Water/Vent/Drain Components (Front)

ITEM	PART NO.	QTY.	DESCRIPTION
1		1	Tube, Silicone 6mm ID x 6.8" (order item 4)
2	26443.0001	1	Fitting, STR .25 x .38 BARB SST F-7012
3	32655.0000	2	Fitting, 60 Degree Elbow .25" Barb

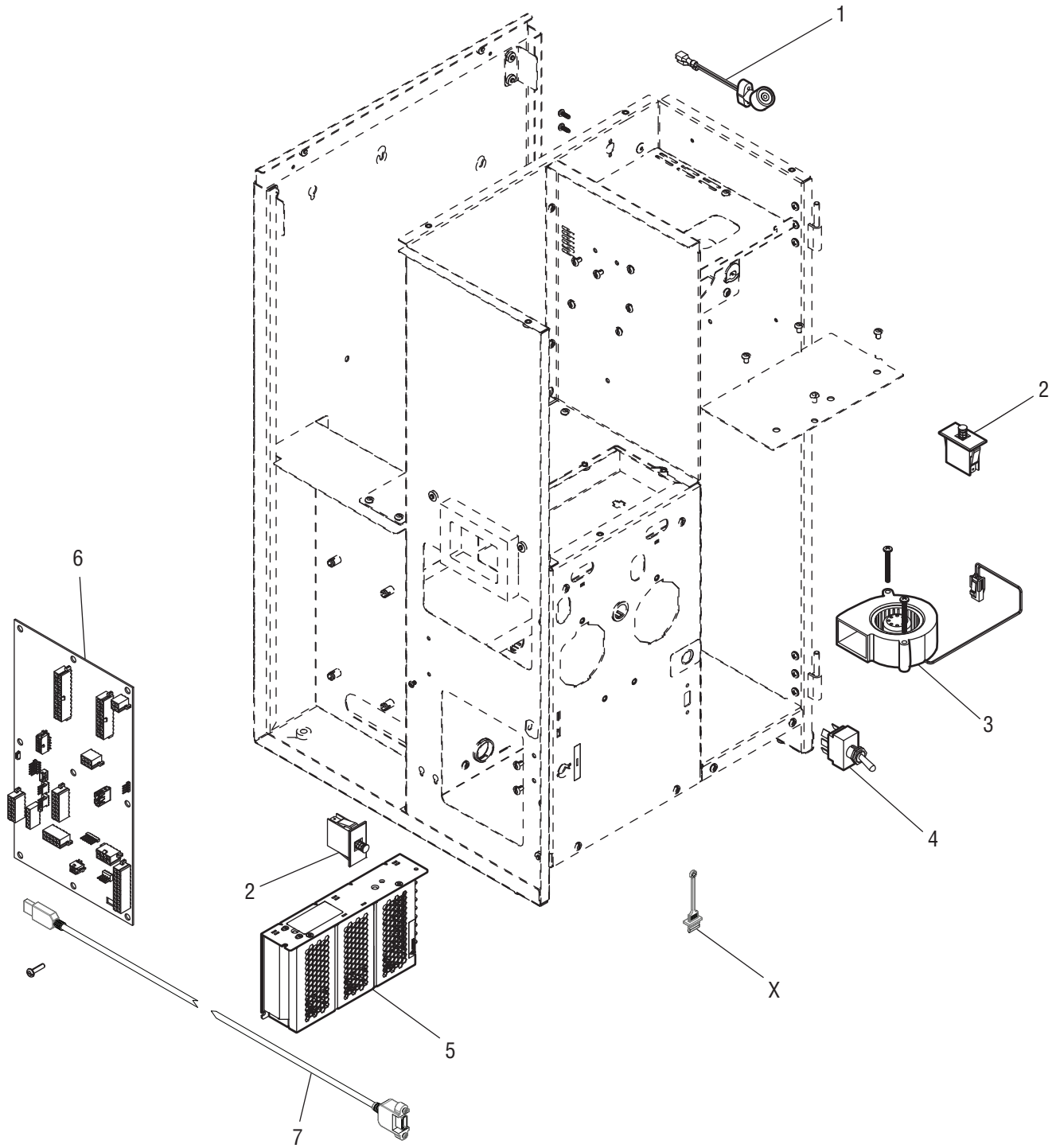
The following items are not illustrated

4	50732.1001	-	Tube, Silicone 6mm ID x 36.0" (Use as required)
---	----------------------------	---	---



ELECTRICAL COMPONENTS

Crescendo



ELECTRICAL COMPONENTS

ITEM	PART NO.	QTY.	DESCRIPTION
1	50582.0002	1	Photosensor & Housing Assembly
2	50573.0000	2	Switch, Interrupt SPST-NO SPST-NC
3	50569.0000	1	Fan Assy, Blower 75mm with Terminals
4	28857.0000	1	Switch, Toggle Rinse/Program
5	33363.0007	1	Power Supply, 24VDC 6.25A 150W 1 Phase 230V
	24003.0201	3	Screw, Pan Head M3 x 4 ZP
	33363.0017	1	Power Supply, 24VDC 6.3A 151W (Models 220-240V)
	32283.0000	2	Screw, SST SLTD PNH M4 x 6MM
	33363.0016	1	Power Supply, 24VDC 6.5 Amp (Models 120V)
6	50632.1000	1	CBA, Control
7	54498.0000	1	USB Cable
8	54499.0000	1	Dust Cover, USB

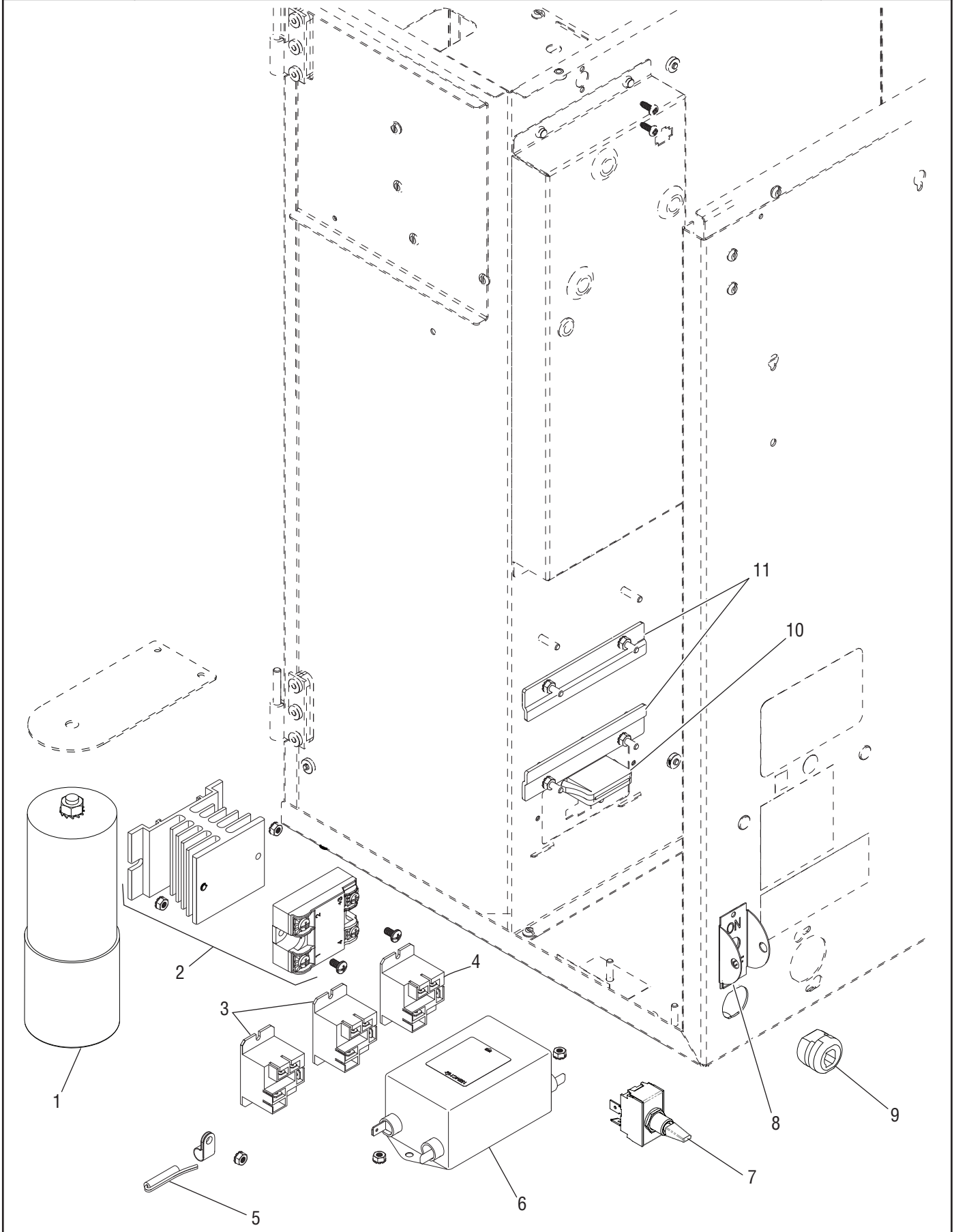
} See Note Below

NOTE: For models 44300.0212, 0215 & 0219 after Serial Number: xxxx (TBD)



ELECTRICAL COMPONENTS

Crescendo



ELECTRICAL COMPONENTS

ITEM	PART NO.	QTY.	DESCRIPTION
1	53345.1001 50811.0103	1	Kit, Grinder/Knob/Capacitor (120V - also shown on pg 14) Capacitor, 45MF 440V for 120V machines
	53345.1000 50811.0104	1	Kit, Grinder/Knob/Capacitor (230V - also shown on pg 14) Capacitor, 14MF 440V for 230V machines
2	49266.0000	1	Relay, Solid State MCO w/ Heat Sink
3	32104.0001	2	Relay, 24V Coil
4	32104.0002	1	Relay, SPDT 24VDC Coil
5	49078.0000	1	Switch Assy, Reed w/Leads and Terminals
6	36801.0001	1	Filter, EMI 15 120/250 VAC (CE Only)
7	55439.0000	1	Switch, Toggle 250V DPST (For CE models: 44300.0200, 0212, 0213, 0219, 0221 & .0222)
8	25102.0001	1	Bracket, Switch Indicator Guard
9	01686.0000	1	Bushing, Strain RLF-STR (7K-2)
10	25899.0000	1	Magnetic Catch, Snap-In
11	50073.0000	2	Clip, Relay Mounting

The following items are not illustrated

12	01637.0000	1	Power Cord, 16/3 5-15P 60" LG
13	33529.0006	1	Cord Assy, PWR 230V
14	51171.0000	1	Wiring Harness, Switch to EMI Filter
15	51165.0001	1	Wiring Harness, Power
16	51166.0001	1	Wiring Harness, 24VDC Output
17	51167.0000	1	Wiring Harness, Control Input
18	51168.0000	1	Wiring Harness, Espresso Group Interconnect
19	51169.0000	1	Wiring Harness, Espresso Group to CBA
20	54323.0000	1	Schematic (not shown)



PREVENTIVE MAINTENANCE KITS

Crescendo

The following items are not illustrated

1	54866.0000	1	Preventive Maintenance Kit, 6 Month
2	54867.0000	1	Preventive Maintenance Kit, 12 Month