

ILLUSTRATED PARTS CATALOG

Designs, materials, weights, specifications, and dimensions for equipment or replacement parts are subject to change without notice.

BUNN-O-MATIC CORPORATION

POST OFFICE BOX 3227

SPRINGFIELD, ILLINOIS 62708-3227

PHONE: (217) 529-6601 FAX: (217) 529-6644

www.bunn.com

To ensure you have the latest revision of the Operating Manual, Illustrated Parts Catalog, Programming Manual, or Service Manual, please visit the Bunn-O-Matic website, at www.bunn.com. This is absolutely FREE, and the quickest way to obtain the latest catalog and manual updates. For Technical Service, contact Bunn-O-Matic Corporation at 1-800-286-6070.

BUNN-O-MATIC COMMERCIAL PRODUCT WARRANTY

Bunn-O-Matic Corp. ("BUNN") warrants equipment manufactured by it as follows:

- 1) Airpots, thermal carafes, decanters, GPR servers, iced tea/coffee dispensers, MCR/MCP/MCA single cup brewers, thermal servers and ThermoFresh® servers (mechanical and digital) 1 year parts and 1 year labor.
- 2) All other equipment - 2 years parts and 1 year labor plus added warranties as specified below:
 - a) Electronic circuit and/or control boards - parts and labor for 3 years.
 - b) Compressors on refrigeration equipment - 5 years parts and 1 year labor.
 - c) Grinding burrs on coffee grinding equipment to grind coffee to meet original factory screen sieve analysis - parts and labor for 4 years or 40,000 pounds of coffee, whichever comes first.

These warranty periods run from the date of installation BUNN warrants that the equipment manufactured by it will be commercially free of defects in material and workmanship existing at the time of manufacture and appearing within the applicable warranty period. This warranty does not apply to any equipment, component or part that was not manufactured by BUNN or that, in BUNN's judgment, has been affected by misuse, neglect, alteration, improper installation or operation, improper maintenance or repair, non periodic cleaning and descaling, equipment failures related to poor water quality, damage or casualty. In addition, the warranty does not apply to replacement of items subject to normal use including but not limited to user replaceable parts such as seals and gaskets. This warranty is conditioned on the Buyer 1) giving BUNN prompt notice of any claim to be made under this warranty by telephone at (217) 529-6601 or by writing to Post Office Box 3227, Springfield, Illinois 62708-3227; 2) if requested by BUNN, shipping the defective equipment prepaid to an authorized BUNN service location; and 3) receiving prior authorization from BUNN that the defective equipment is under warranty.

THE FOREGOING WARRANTY IS EXCLUSIVE AND IS IN LIEU OF ANY OTHER WARRANTY, WRITTEN OR ORAL, EXPRESS OR IMPLIED, INCLUDING, BUT NOT LIMITED TO, ANY IMPLIED WARRANTY OF EITHER MERCHANTABILITY OR FITNESS FOR A PARTICULAR PURPOSE. The agents, dealers or employees of BUNN are not authorized to make modifications to this warranty or to make additional warranties that are binding on BUNN. Accordingly, statements by such individuals, whether oral or written, do not constitute warranties and should not be relied upon.

If BUNN determines in its sole discretion that the equipment does not conform to the warranty, BUNN, at its exclusive option while the equipment is under warranty, shall either 1) provide at no charge replacement parts and/or labor (during the applicable parts and labor warranty periods specified above) to repair the defective components, provided that this repair is done by a BUNN Authorized Service Representative; or 2) shall replace the equipment or refund the purchase price for the equipment.

THE BUYER'S REMEDY AGAINST BUNN FOR THE BREACH OF ANY OBLIGATION ARISING OUT OF THE SALE OF THIS EQUIPMENT, WHETHER DERIVED FROM WARRANTY OR OTHERWISE, SHALL BE LIMITED, AT BUNN'S SOLE OPTION AS SPECIFIED HEREIN, TO REPAIR, REPLACEMENT OR REFUND.

In no event shall BUNN be liable for any other damage or loss, including, but not limited to, lost profits, lost sales, loss of use of equipment, claims of Buyer's customers, cost of capital, cost of down time, cost of substitute equipment, facilities or services, or any other special, incidental or consequential damages.

392, A Partner You Can Count On, Air Infusion, AutoPOD, AXIOM, BrewLOGIC, BrewMETER, Brew Better Not Bitter, BrewWISE, BrewWIZARD, BUNN Espresso, BUNN Family Gourmet, BUNN Gourmet, BUNN Pour-O-Matic, BUNN, BUNN with the stylized red line, BUNNlink, Bunn-O-Matic, Bunn-O-Matic, BUNNserve, BUNNSERVE with the stylized wrench design, Cool Froth, DBC, Dr. Brew stylized Dr. design, Dual, Easy Pour, EasyClear, EasyGard, FlavorGard, Gourmet Ice, Gourmet Juice, High Intensity, iMIX, Infusion Series, Intellisteam, My Café, Phase Brew, PowerLogic, Quality Beverage Equipment Worldwide, Respect Earth, Respect Earth with the stylized leaf and coffee cherry design, Safety-Fresh, savemycoffee.com, Scale-Pro, Silver Series, Single, Smart Funnel, Smart Hopper, SmartWAVE, Soft Heat, SplashGard, The Mark of Quality in Beverage Equipment Worldwide, ThermoFresh, Titan, trifacta, TRIFECTA (stylized logo), Velocity Brew, Air Brew, Beverage Bar Creator, Beverage Profit Calculator, Brew better, not bitter., Build-A-Drink, BUNNsource, Coffee At Its Best, Cyclonic Heating System, Daypart, Digital Brewer Control, Element, Milk Texturing Fusion, Nothing Brews Like a BUNN, Picture Prompted Cleaning, Pouring Profits, Signature Series, Sure Tamp, Tea At Its Best, The Horizontal Red Line, Ultra are either trademarks or registered trademarks of Bunn-O-Matic Corporation. The commercial trifacta® brewer housing configuration is a trademark of Bunn-O-Matic Corporation.

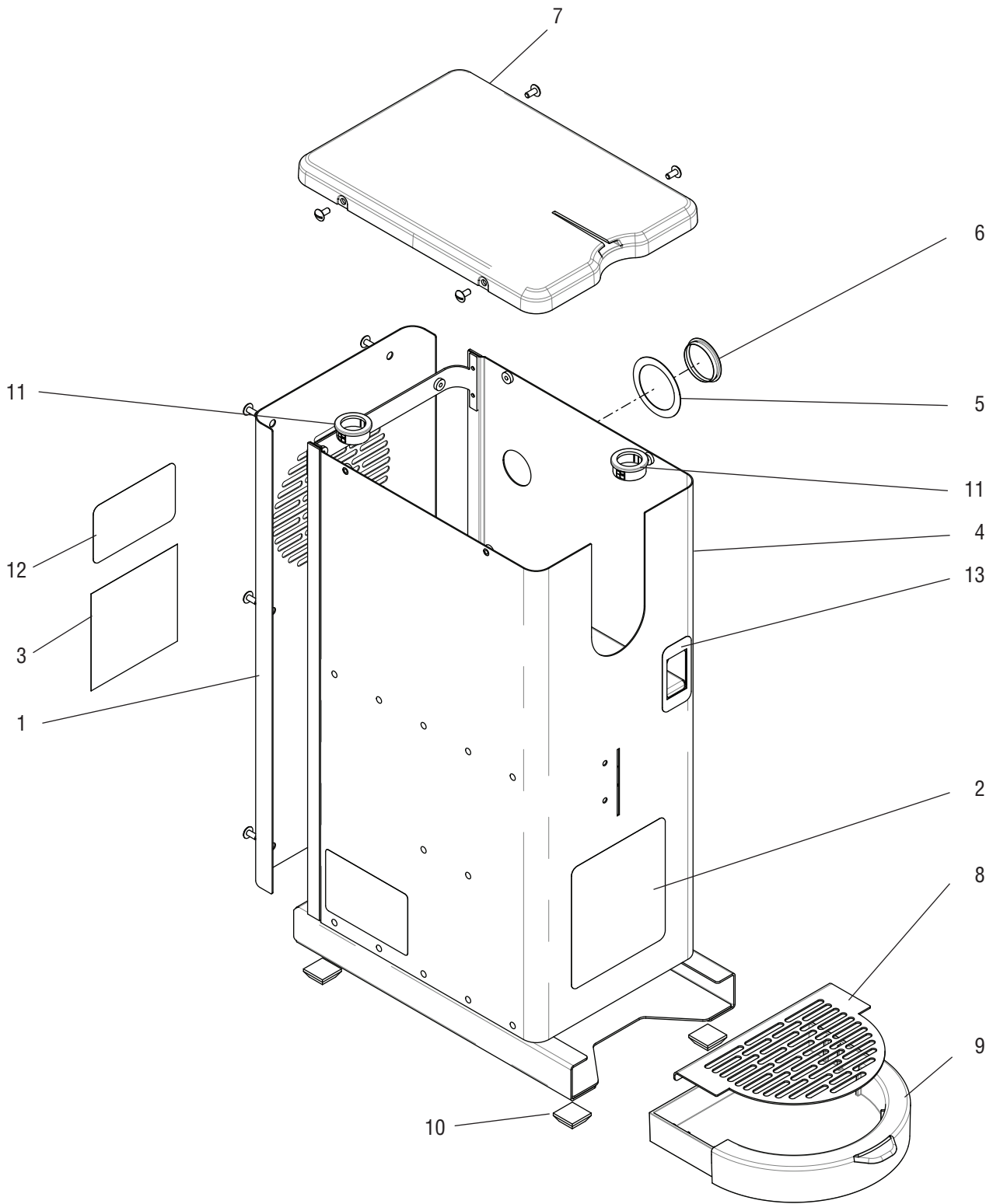
TABLE OF CONTENTS

TITLE	PAGE NO.
Housing and Panels	4
Hoppers and Lids.....	6
Motor, Burr Housing and Chutes.....	8
Electrical and Operating Controls 120V.....	12
Electrical and Operating Controls 230V.....	14
Numerical Index.....	16



HOUSING AND PANELS

GVH-1/2/3 &
GVH trifecta®



HOUSING AND PANELS

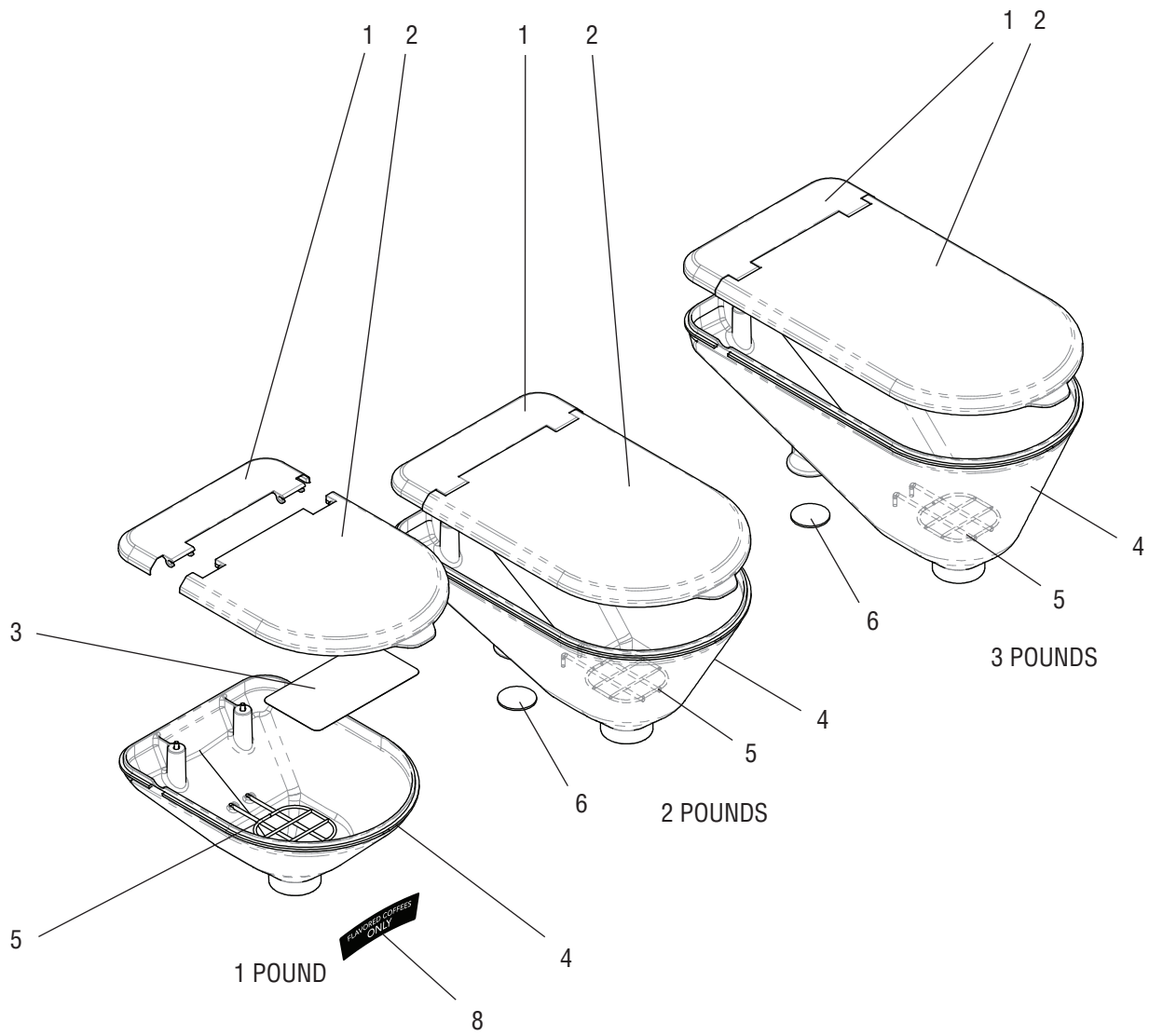
ITEM	PART NO.	QTY.	DESCRIPTION
1	53934.1000	1	Panel W/Decals, Rear SST 120V (Includes items 3 & 12) (Shown)
	53934.1001	1	Panel W/Decals, Rear SST 230V (Includes items 3 & 12)
	01315.0000	6	Screw, Truss Head #8-32 x .375"
2	55074.0000	1	Decal, Grind Instructions
3	20545.0000	1	Decal, Warning - Electrical
4	53949.1000	1	Housing, SST (Includes items 5, 10 & 13)
5	05884.0000	1	Decal, Motor Reset
6	02999.0000	1	Plug, Hole - SST 1.19 Dia
7	53933.0000	1	Cover, Top
	01317.0005	4	Screw, Truss Head BLK #8-32 x .375"
8	53939.0000	1	Cover, Grounds Tray
9	53938.0000	1	Tray, Grounds
10	02547.0000	4	Foot, Rubber
11	01592.0000	2	Bushing, Snap 1.0" Dia
12	37881.0000	1	Decal, No Serviceable Parts
13	55072.0000	1	Decal, ON/OFF/STOP

* Indicates the part number listed is for reference only. See DESCRIPTION for possible service replacement.



HOPPERS AND LIDS

GVH-1/2/3 &
GVH trifecta®



HOPPERS AND LIDS

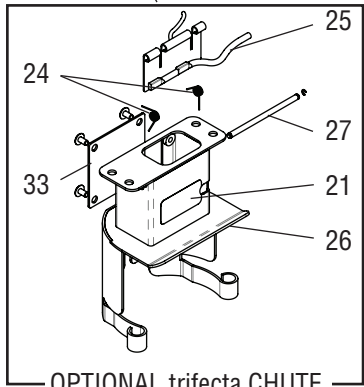
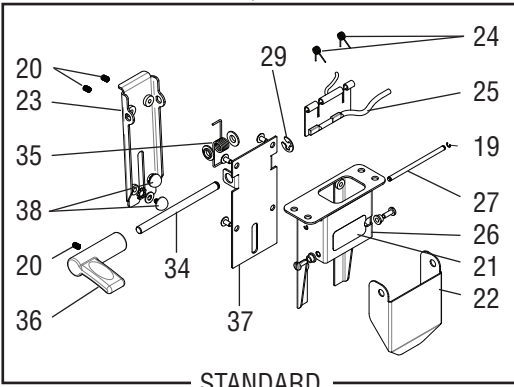
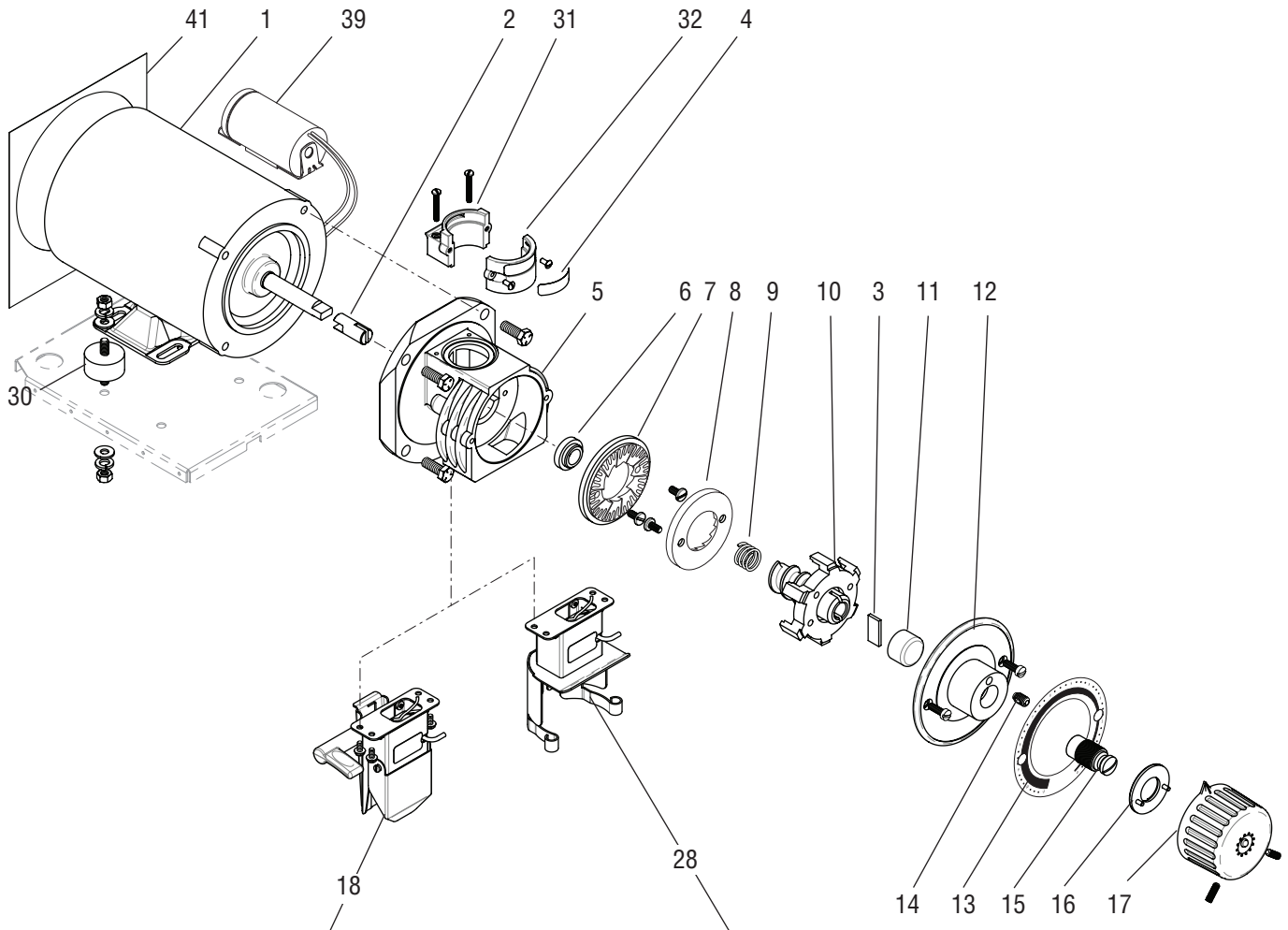
ITEM	PART NO.	QTY.	DESCRIPTION
1	54338.0001	1	Lid, Rear - BLK (All models)
	02328.0004	2	Screw, Truss Head - BLK #6-32 x .312"
2	54331.1000	1	Kit, Front Hopper Lid - BLK (1 Pound)
	54334.1000	1	Kit, Front Hopper Lid - BLK (2 Pounds)
	54337.1000	1	Kit, Front Hopper Lid - BLK (3 Pounds)
			} (Includes # 3)
3	11076.0000	1	Decal, Caution - Close Lid (All models)
4	54330.0000	1	Hopper (1 Pound)
	54333.0000	1	Hopper (2 Pounds)
	54336.0000	1	Hopper (3 Pounds)
5	54357.1000	1	Guard (Includes washers & nuts) (All models)
	44742.0000	2	Flat Washers
	00991.0004	2	Lock Nut
6	03996.0000	1	Pad, Anti Skid (Not used on 1 pound hopper)
7	54329.0000	1	Hopper Assembly (1 Pound)
	54332.0000	1	Hopper Assembly (2 Pounds)
	54335.0000	1	Hopper Assembly (3 Pounds)
8	55405.0000	1	Decal, Flavord Coffee Only (Optional)

* Indicates the part number listed is for reference only. See DESCRIPTION for possible service replacement.



MOTOR, BURR HOUSING AND CHUTES

GVH-1/2/3 &
GVH trifecta®



MOTOR, BURR HOUSING AND CHUTES

ITEM	PART NO.	QTY.	DESCRIPTION
1	11029.1005	1	Motor Assy, 115V 60HZ (Includes item 6 & instructions)
	11029.1007	1	Motor Assy, 230V 50/60HZ (Includes item 6 & instructions)
2	11191.0001	1	Extension, Motor Shaft
3	05852.0001	1	Plate, Shear
4	54187.0000	1	Decal, Bunn Logo (Order # 42)
5	11180.0001	1	Housing, Burr
	02313.0000	4	Screw, Hex Head W/Washer .375"-16 x 1.0"
6	05870.0000	1	Bushing
7	-----	1	Burr (Not available. Order item 40)
	02314.0000	2	Screw, Pan Head .25"-20 x .50"
8	-----	1	Burr (Not available. Order item 40)
	02314.0000	2	Screw, Pan Head .25"-20 x .50"
9	11192.0000	1	Spring
10	11185.0001	1	Burr Auger Rotor/Spring Assy (Includes item 9)
11	00622.0000	1	Cup, Burr Rotor
12	53945.1000	1	Plate, Grind Selector Dial (Includes # 14)
	11064.0000	2	Screw, Fillister Head .250"-20 x .75"
13	55071.0000	1	Decal, Grind Select
	55071.0001	1	Decal, Grind Select (Symbols)
	55071.0002	1	Decal, Grind Select (Turkish)
14	11086.0000	1	Dentent, Spring Plunger
15	54339.0000	1	Adjusting Screw W/Bearing
16	53946.0000	1	Plate, Dentent
17	22294.1001	1	Knob, Grind Selector (Includes item 16 and set screws)
	21611.0000	2	Set Screw .25020 x 0.75"
18	54346.1000	1	Chute/Dechaffer Assy (Std)
19	11177.0000	2	Ring, Retaining
20	48897.0000	3	Set Screw
21	55073.0000	1	Decal, Chute
22	54340.0000	1	Cover, Chute
	02328.0000	2	Screw, Pan Head 6-32 x .375"
	21438.0001	2	Shoulder Washer
23	54355.0000	1	Rocker Weldment
24	20204.1100	2	Spring

(Continued)

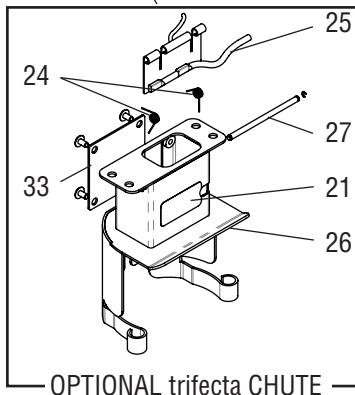
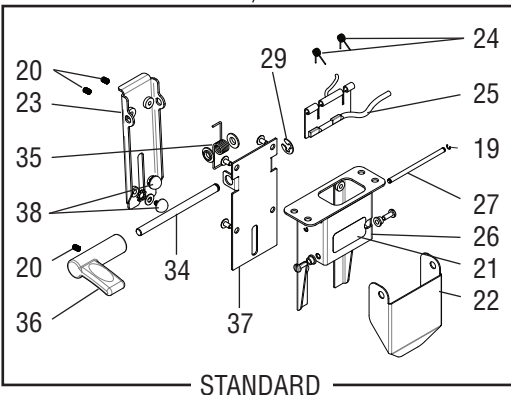
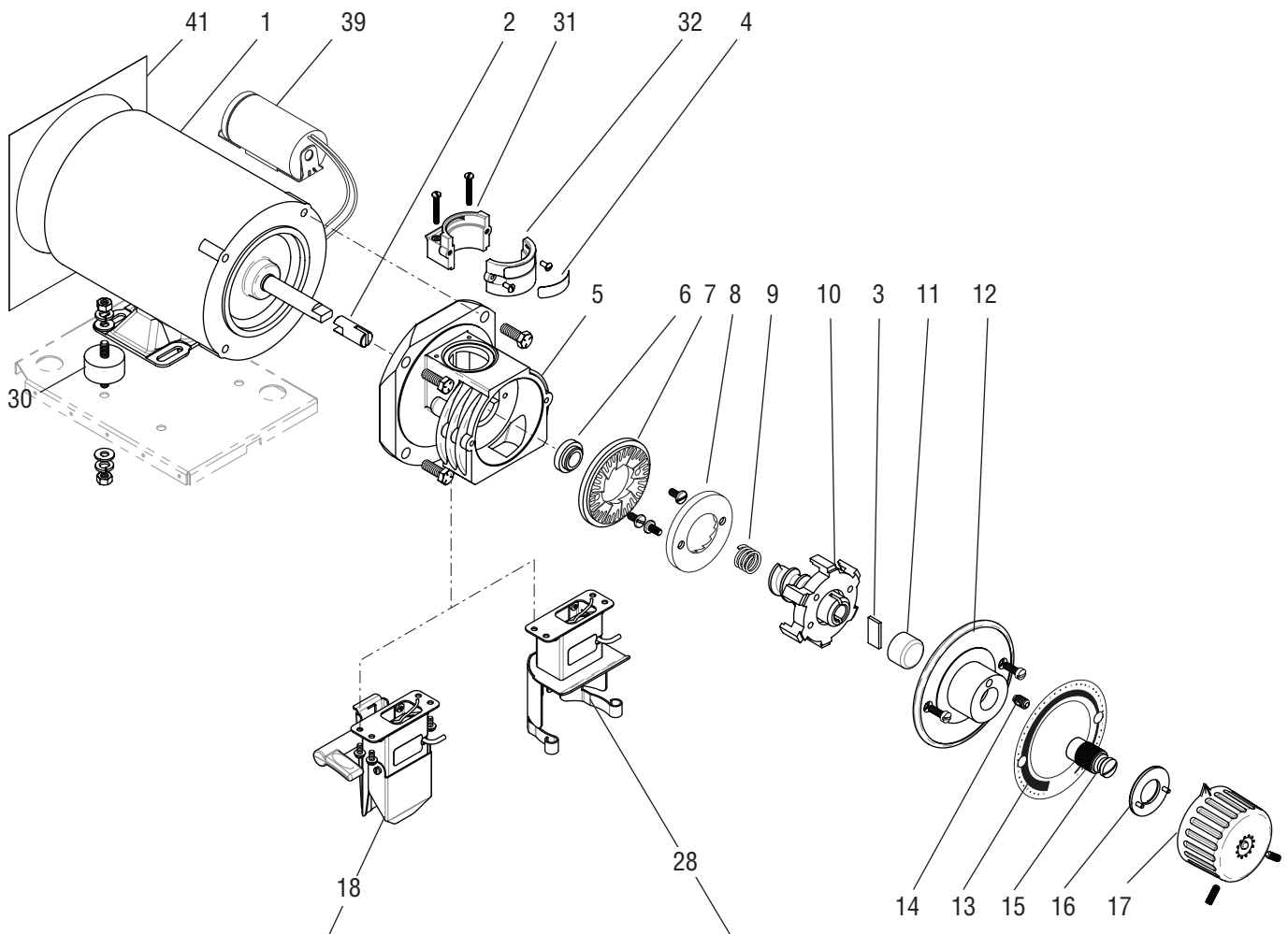
* Indicates the part number listed is for reference only. See DESCRIPTION for possible service replacement.



MOTOR, BURR HOUSING AND CHUTES

GVH-1/2/3 &
GVH trifecta®

(Continued)



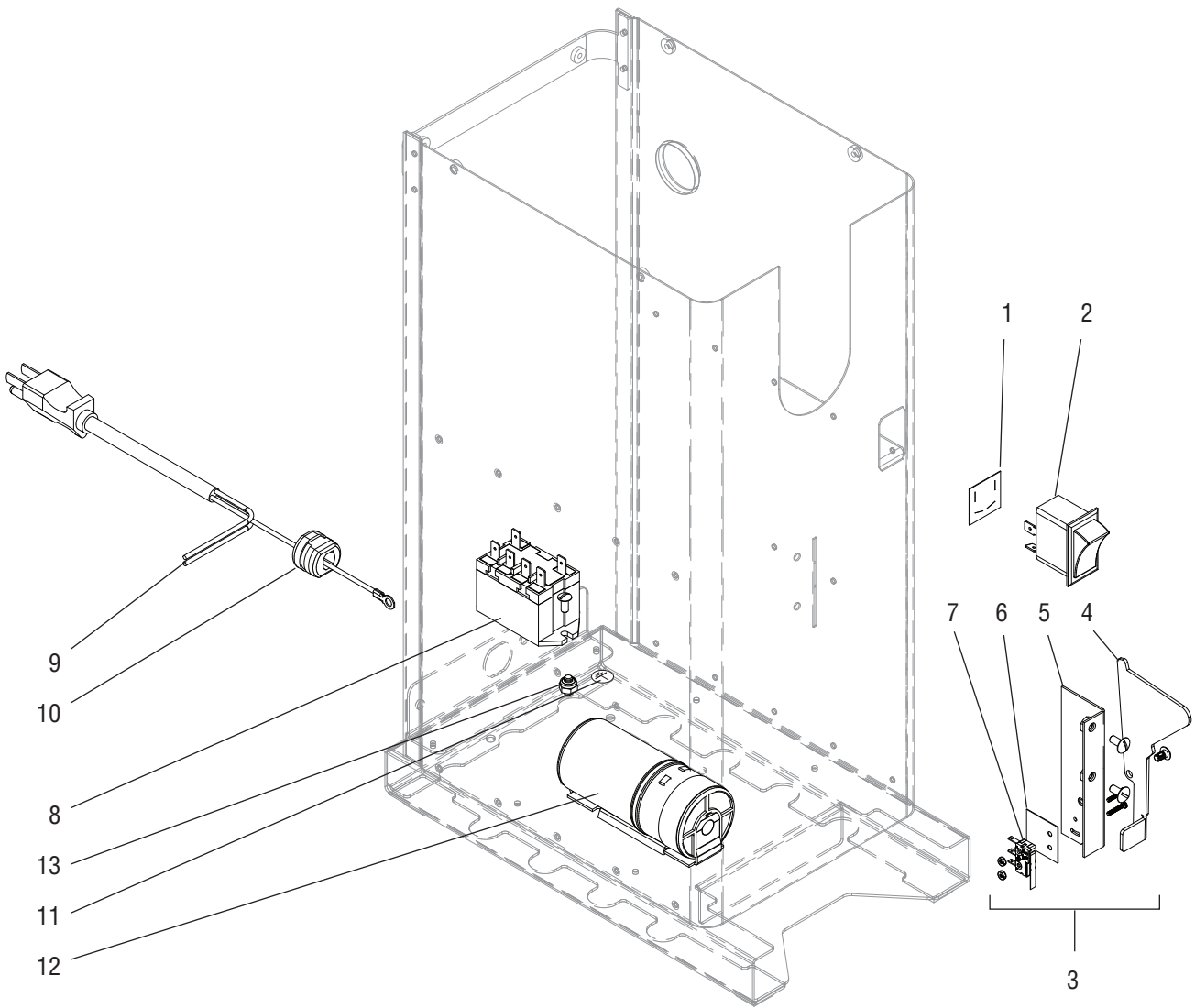
MOTOR, BURR HOUSING AND CHUTES

ITEM	PART NO.	QTY.	DESCRIPTION
25	20204.1200	1	Dechaffer
26	54347.0000	1	Chute Weldment (Standard)
	55027.0000	1	Chute Weldment (trifecta)
	02330.0001	4	Screw, Slotted Hex Head #10-24 x .375"
27	11176.0004	1	Pin, Pivot-Lower 2.44" long
28	55032.0000	1	Chute/Dechaffer Assy (trifecta®)
29	42814.0000	1	E-Ring
30	55363.0000	4	Isolation Mount
	34529.0000	8	Flat Washer, .735" Dia
	42537.0000	8	Lock Washer, .375" SST
	55398.0000	8	Nut, 5/16-18
31		1	Inner Collar (Order # 42)
	55666.0000	2	Screw, Pan Head 8-32 x 1.25"
32	53942.0000	1	Outer Collar (Order # 42)
	01382.0000	2	Screw, TRH 6-32 x .375"
33	55031.0000	1	Plate, Rear
	01308.0002	4	Screw TRH 6-32 x .25"
34	54353.0000	1	Shaft
35	47449.0000	1	Spring
	34362.0005	2	Bushing
36	54359.1001	1	Handle (Includes # 20)
37	54352.0000	1	Plate
	01308.0002	4	Screw TRH 6-32 x .25"
38	40602.0001	2	Bumper
	01512.0000	2	Lock Washer
	01501.0000	2	Flat Washer
39	35906.1001	1	Start Capacitor (120V & 230V)
	33052.0000	2	Screw, FLHD SLTD SST 10-32x.5"
40	05861.1002	1	Burr Kit (Includes items 7, 8 and mounting screws)
	11285.1000	1	Burr Kit, Turkish Grind (Includes items 7, 8 and mounting screws)
41	55769.0000	1	Baffle (120V Only)

The following items are not illustrated

42	55754.1000	1	Kit, Hopper Collar (Includes # 4, 31, 32, & screws)
----	------------	---	---

* Indicates the part number listed is for reference only. See DESCRIPTION for possible service replacement.



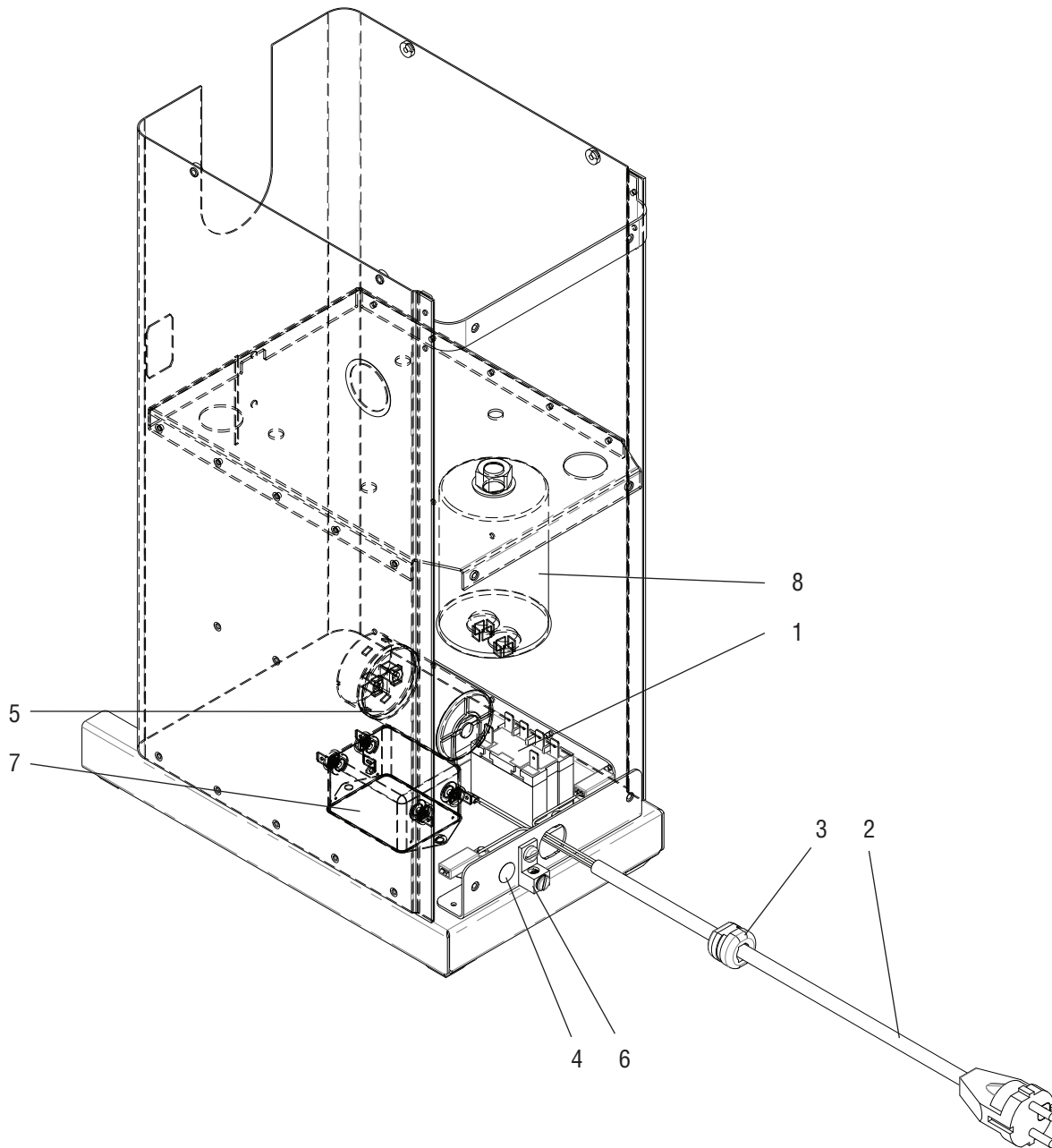
ELECTRICAL AND OPERATING CONTROLS 120V

ITEM	PART NO.	QTY.	DESCRIPTION
1	11110.0001	1	Shield, Switch Insulator
2	05815.0001	1	Switch, OFF/ON/START
3	55403.1000	1	Bag Sensor Assy (Includes items 4 thru 7)
	01315.0000	2	Screw, Truss Head #8-32 x .375"
	00970.0000	2	Nut, Keps #8-32
4	53950.0000	1	Pivot Arm, Bag Sensor (Not Available. Order item 3)
	02357.0001	1	Screw, Truss Head - Shoulder #6-32
5	20204.2001	1	Bracket, Pivot Arm
6	11077.0001	1	Insulator, Bag Sensor Switch
7	11087.0001	1	Switch, Bag Sensor
	02356.0000	2	Screw, Pan Head #2-56 x .50"
	01506.0000	2	Lockwasher, External Tooth #2
	00998.0000	2	Nut, Hex #2-56
8	37711.0000	1	Relay, 120V AC
	01382.0000	2	Screw, Truss Head - SST #6-32 x .375"
9	40701.0013	1	Cord, Power - 120V
10	01686.0000	1	Bushing, Strain Relief (120V Models)
11	00824.0002	1	Decal, Ground
12	35906.1001	1	Start Capacitor 120V & 230V
	33052.0000	2	Screw, FLH SLTD SST 10-32x.50"
13	00991.0003	1	Lock Nut

The following items are not illustrated

14	11187.0001	1	Wiring Harness, Main 120V, 230V & 240V AC
----	------------	---	---

* Indicates the part number listed is for reference only. See DESCRIPTION for possible service replacement.



ELECTRICAL AND OPERATING CONTROLS 230V

ITEM	PART NO.	QTY.	DESCRIPTION
1	37711.0001	1	Relay, 230V AC
	01382.0000	2	Screw, Truss Head - SST #6-32 x .375"
2	33529.0006	1	Cord, Power - 230V
3	01686.0000	1	Bushing, Strain Relief
4	00824.0001	1	Decal, Equipotentiality
5	35906.1001	1	Start Capacitor
	33052.0000	2	Screw, FLH SLTD SST 10-32x.50"
6	27705.0000	1	Terminal Lug
	01327.0000	1	Screw SLTD SST 10-32x.375"
	01502.0000	1	Lock Washer
7	36801.0001	1	EMI Filter
	01382.0000	2	Screw, Truss Head - SST #6-32 x .375"
8	35906.0003	1	Run Capacitor
	24050.0400	1	Nut, Mounting M12 x 1.75

The following items are not illustrated

9	21003.0183	1	Lead, Red (Start Cap to Run Cap)
---	------------	---	----------------------------------

* Indicates the part number listed is for reference only. See DESCRIPTION for possible service replacement.

NUMERICAL INDEX

PART NO.	PAGE NO.	PART NO.	PAGE NO.	PART NO.	PAGE NO.	PART NO.	PAGE NO.
00622.0000.....	9	21003.0183.....	15	55071.0000.....	9		
00656.0001.....	5	21438.0001.....	9	55071.0001.....	9		
00824.0001.....	15	21611.0000.....	9	55071.0002.....	9		
00824.0002.....	13	22294.1001.....	9	55072.0000.....	5		
00970.0000.....	13	24050.0400.....	15	55073.0000.....	9		
00991.0003.....	13	27705.0000.....	15	55074.0000.....	5		
00991.0004.....	7	33052.0000.....	11,13,15	55363.0000.....	11		
00998.0000.....	13	33529.0006.....	15	55398.0000.....	11		
01308.0002.....	11	34362.0005.....	11	55403.1000.....	13		
01315.0000.....	5,13	34529.0000.....	11	55405.0000.....	7		
01317.0005.....	5	35906.0003.....	15	55666.0000.....	11		
01327.0000.....	15	35906.1001.....	11,13,15	55754.1000.....	11		
01382.0000.....	11,13,15	36801.0001.....	15	55769.0000.....	11		
01501.0000.....	11	37711.0000.....	13				
01502.0000.....	15	37711.0001.....	15				
01506.0000.....	13	37881.0000.....	5				
01512.0000.....	11	40602.0001.....	11				
01592.0000.....	5	40701.0013.....	13				
01686.0000.....	13,15	42537.0000.....	11				
02313.0000.....	9	42814.0000.....	11				
02314.0000.....	9	44742.0000.....	7				
02328.0000.....	9	47449.0000.....	11				
02328.0004.....	7	48897.0000.....	9				
02330.0001.....	11	53933.0000.....	5				
02356.0000.....	13	53934.1000.....	5				
02357.0001.....	13	53934.1001.....	5				
02547.0000.....	5	53938.0000.....	5				
02999.0000.....	5	53939.0000.....	5				
03996.0000.....	7	53945.1000.....	9				
05815.0001.....	13	53946.1000.....	9				
05852.0001.....	9	53949.1000.....	5				
05861.1002.....	11	53950.0000.....	13				
05870.0000.....	9	54329.0000.....	7				
05884.0000.....	5	54330.0000.....	7				
11029.1005.....	9	54331.1000.....	7				
11029.1007.....	9	54332.0000.....	7				
11064.0000.....	9	54333.0000.....	7				
11076.0000.....	7	54334.1000.....	7				
11077.0001.....	13	54335.0000.....	7				
11086.0000.....	9	54336.0000.....	7				
11087.0001.....	13	54337.1000.....	7				
11110.0001.....	13	54338.0001.....	7				
11176.0004.....	11	54339.0000.....	9				
11177.0000.....	9	54340.0000.....	9				
11180.0001.....	9	54346.0000.....	9				
11185.0001.....	9	54347.0000.....	11				
11187.0001.....	13	54352.0000.....	11				
11191.0001.....	9	54353.0000.....	11				
11192.0000.....	9	54355.0000.....	9				
11285.1000.....	11	54357.1000.....	7				
20204.1100.....	9	54359.1001.....	11				
20204.1200.....	11	55027.0000.....	11				
20204.2001.....	13	55031.0000.....	11				
20545.0000.....	5	55032.0000.....	11				