



# H10X



## ILLUSTRATED PARTS CATALOG

Designs, materials, weights, specifications, and dimensions for equipment or replacement parts are subject to change without notice.

### BUNN-O-MATIC CORPORATION

POST OFFICE BOX 3227

SPRINGFIELD, ILLINOIS 62708-3227

PHONE: (217) 529-6601 FAX: (217) 529-6644

[www.bunn.com](http://www.bunn.com)

To ensure you have the latest revision of the Operating Manual, Illustrated Parts Catalog, Programming Manual, or Service Manual, please visit the Bunn-O-Matic website, at [www.bunn.com](http://www.bunn.com). This is absolutely FREE, and the quickest way to obtain the latest catalog and manual updates. For Technical Service, contact Bunn-O-Matic Corporation at 1-800-286-6070.

## **BUNN-O-MATIC COMMERCIAL PRODUCT WARRANTY**

Warranty statements and information can be found on our website. Please visit <https://commercial.bunn.com/support/warranty-lookup> for further details.

# TABLE OF CONTENTS

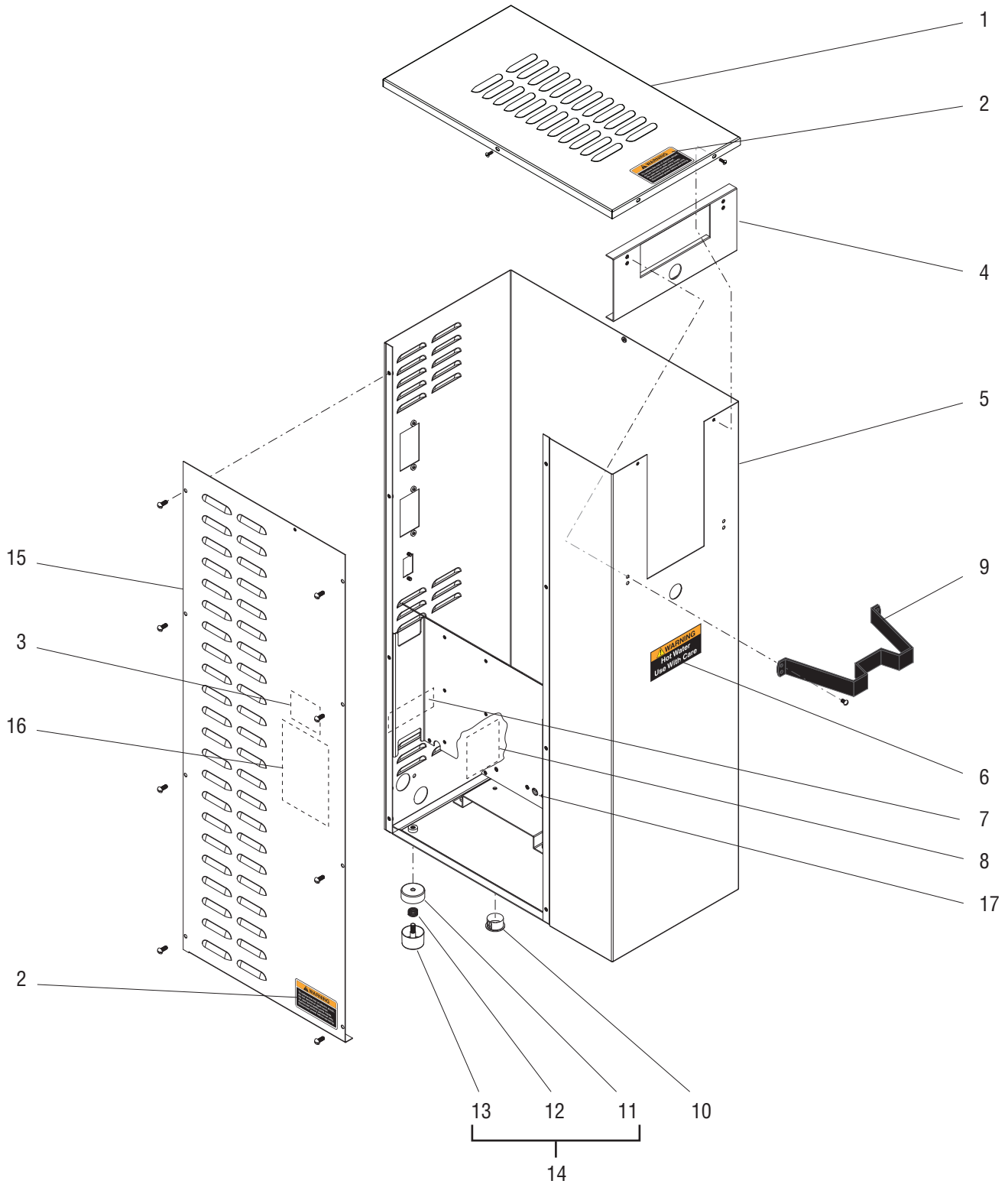
Housing, Cover & Panel .....	4
Electronic Control & Decorative Panel (Early Models) .....	6
Digital Control Board & Electrical Components (Late Models) .....	8
Tank Heater & Overflow Protection Components (Early Models) .....	10
Tank Heater & Overflow Protection Components (Late Models) .....	12
Tank & Faucet .....	14
Strainer/Flow Control, Solenoid & Water Lines (Early Models) .....	16
Solenoid & Water Lines (Late Models).....	18
Numerical Index.....	20

**To order coffee filters, water filters, or other accessories, refer to Specification Sheets at [www.bunn.com](http://www.bunn.com)**



# HOUSING, COVER & PANEL

# H10X



P879.40

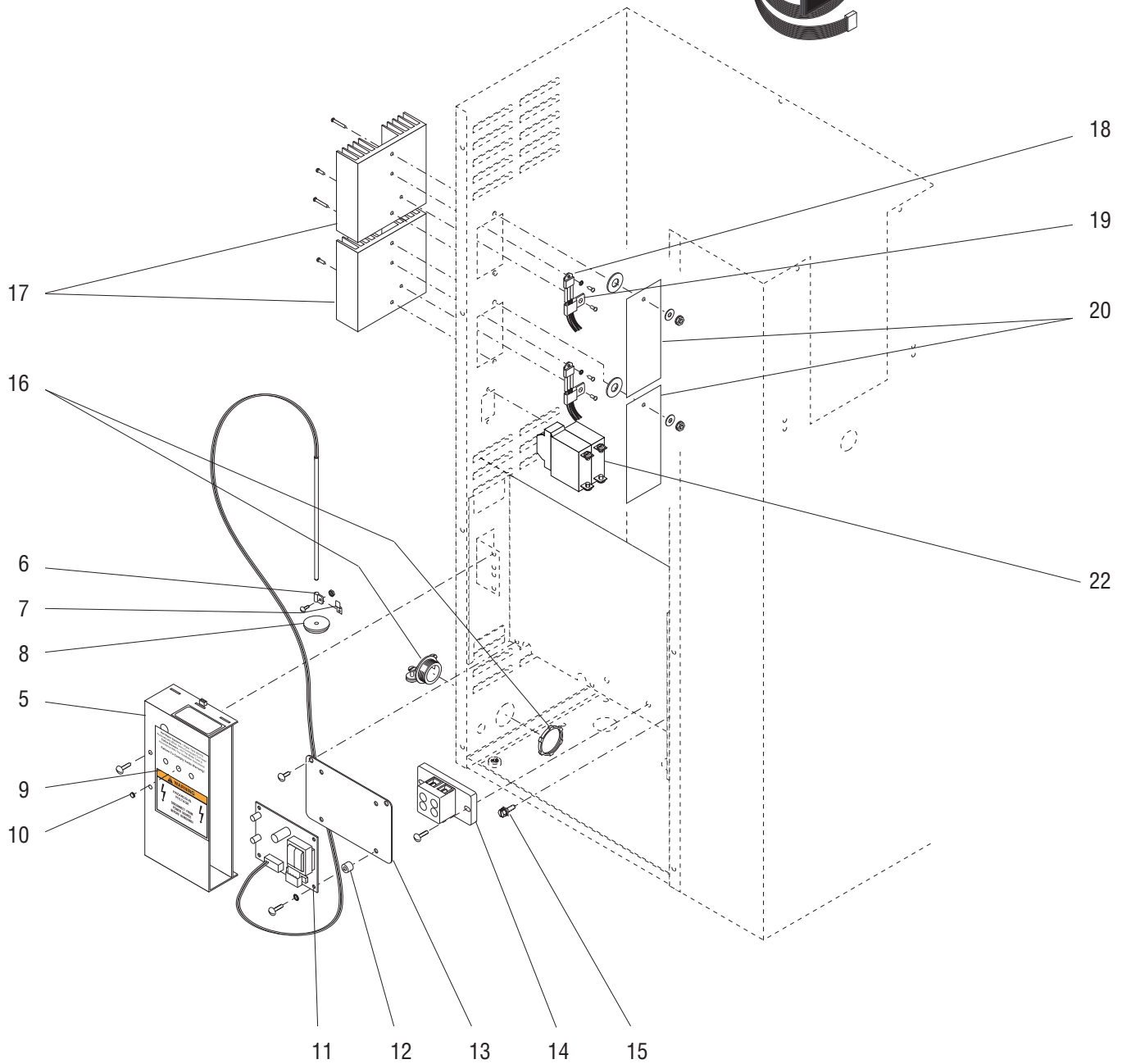
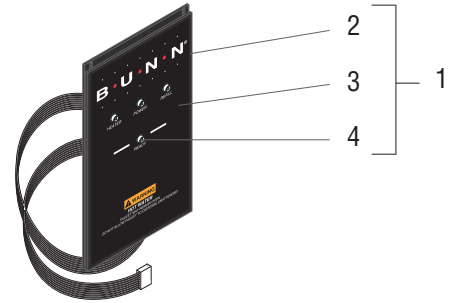
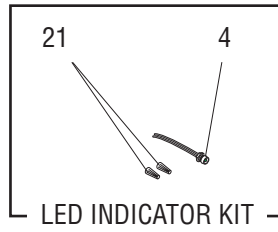
## HOUSING, COVER & PANEL

ITEM	PART NO.	QTY.	DESCRIPTION
1	26618.0000	1	Cover W/Decals, Top (Includes items 2 & 3)
	02336.0000	4	Screw, Pan Head 4 - 40 X .375"
2	37881.0000	2	Decal, No Serviceable Parts
3	12537.0000	1	Decal - Notice 200-240V Components
4	22761.0000	1	Bracket, Faucet/Support
5	26612.0000	1	Housing W/Decals 1st Style (No Switch) (Includes items 6-8 & 16)
	26612.0001	1	Housing W/Decals 2nd Style w/Master ON/OFF Rocker Switch (Include items 6-8)
	26612.0003	1	Housing W/Decals 3rd Style w/Master ON/OFF Sw & 3/4" Inlet Valve (Includes 6-8)
6	12593.0000	1	Decal, Warning Very Hot Water
7	00656.0000	1	Decal, Comply To Plumbing Code
8	00831.0000	1	Decal, Warning - Electrical
9	12268.0000	1	Guard, Faucet/Handle
	02329.0000	4	Screw, Round Head 8 - 32 x .312" Locking
10	03011.0000	4	Plug, Vent
11	00752.0000	4	Cover, Foot
12	00751.0000	4	Spring
13	00754.0001	4	Foot/Locator
14	01175.0000	4	Foot Kit (Includes 1 ea of 11-13)
15	26611.0000	1	Panel W/Decals, Access (Includes items 2 & 3)
	01311.0001	8	Screw, Truss Head 8 - 32 X .25" Locking
16	10888.0000	1	Schematic, Electrical 208-240V (Early Models)
	40707.0000	1	Schematic, Electrical 208-240V (Late Models w/ Digital Control Board)
17	00824.0000	1	Decal, Ground



# ELECTRONIC CONTROL & DECORATIVE PANEL (Early Models)

## H10X

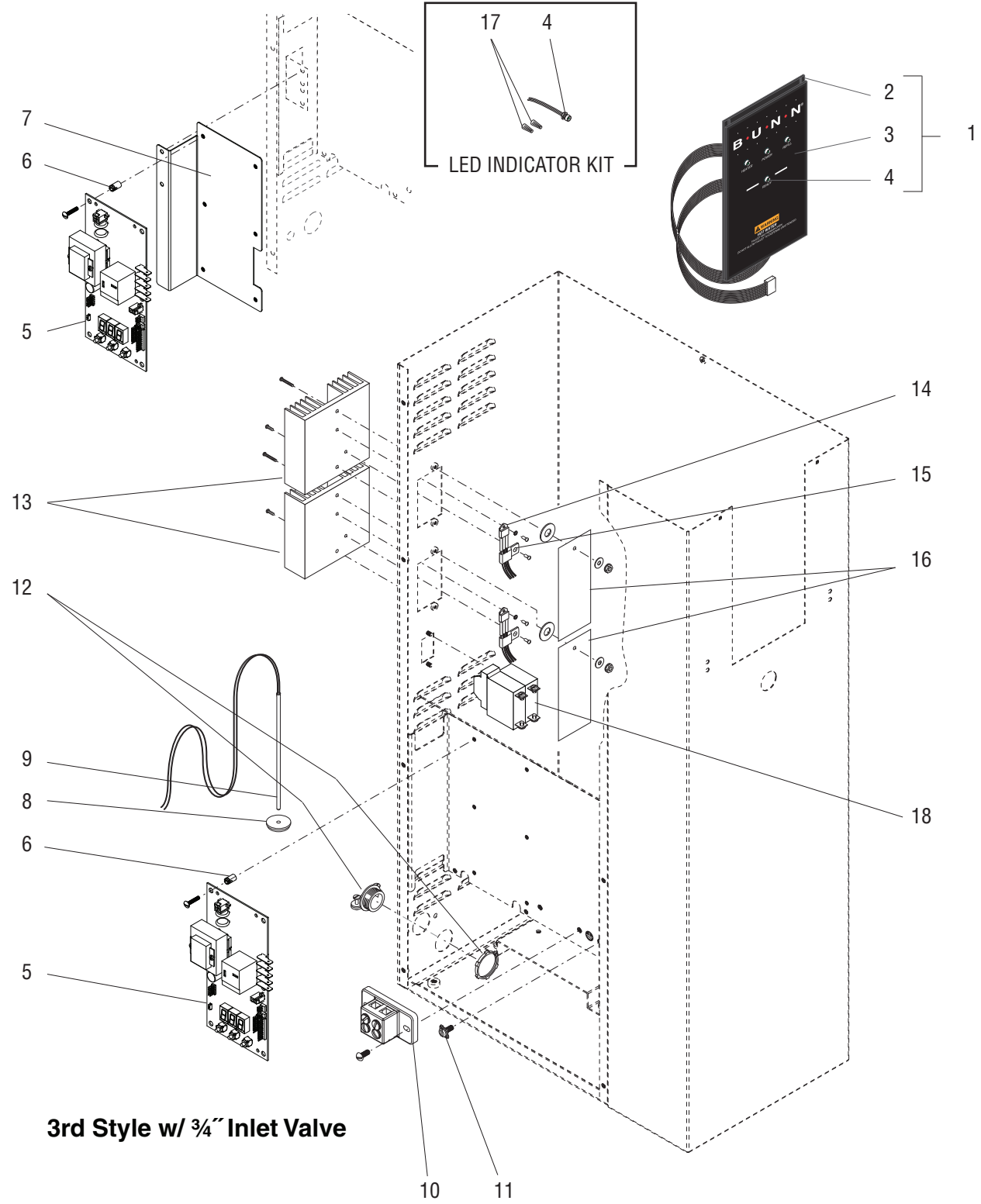


## ELECTRONIC CONTROL & DECORATIVE PANEL (Early Models)

ITEM	PART NO.	QTY.	DESCRIPTION	
1	21112.1002	1	Panel Assy W/LED Indicators (Includes items 2, 3 & 4)	
2	21033.0000	1	Panel W/Decal (Includes item 3)	
3	21031.0000	1	Decal, Decorative - Front Panel	
4	-----	4	LED, Indicator (Order item 22)	
5	-----	1	Control Assy, Electronic (Early Models. Order Digital Control Board)	
	41186.0000	1	Kit, CBA H10X Retrofit, Digital 120V & 240V	
	01311.0000	2	Screw, Pan Head 8 - 32 x .25"	
6	26263.0000	1	Clamp, Steel .12"/.19"	
	01382.0000	1	Screw, Truss Head 6 - 32 x .375"	
	00973.0000	1	Nut, Keps 6 - 32	
7	01667.0000	1	Terminal, .25"	
8	12570.0000	1	Grommet, Temp. Sensor	
9	12559.0002	1	Decal, Caution/Warning	
10	00619.0002	1	Plug, Hole .250" Dia	
11	24406.0001	1	Interlock, Dry Plug-in	
	01510.0000	4	Lockwasher, External Tooth #6	
	01388.0000	4	Screw, Truss Head #6 - 32 x .75"	
12	01533.0000	4	Spacer, .375"	
13	25394.0000	1	Plate, Mounting	
	02308.0000	2	Screw, Pan Head 8 - 32 x .375"	
14	01106.0001	1	Terminal Block, 2 Pole	
	01331.0000	2	Screw, Round Head #10 - 32 x .50"	
15	01309.0000	1	Ground Screw W/Terminal Washer 10 - 32 x .50"	
16	01590.0001	1	Connector, Cable	
17	20541.0001	2	Heat Sink	] Also order item 26
	01388.0002	2	Screw, Truss Head 6 - 32 x .75"	
	01347.0002	2	Screw, Truss Head 6 - 32 x .375"	
18	12565.0009	2	Triac Assy, 40 Amp	] Also order item 26
	12565.0022	2	Triac Assy, 40 Amp (Models w/ Master ON/OFF Switch	
	02328.0003	2	Screw, Pan Head 6 - 32 x .312"	
	01520.0000	2	Lockwasher, Split #6	
19	20767.0000	2	Clamp, Cable	
	01347.0002	2	Screw, Truss Head 6 - 32 x .375"	
20	00637.0004	2	Shield, Triac	
	01543.0000	2	Washer, Flat .375" I.D. x .875" O.D.	
	01522.0000	2	Washer, Flat .203" I.D. X .50" O.D.	
	00973.0000	2	Nut, Keps 6 - 32	
21	01570.0000	2	Wire Nut, 2-24 AWG Min. Yellow	
22	38894.0001	1	Switch, Master ON/OFF	
	01308.0002	2	Screw, Truss Head, Locking #6-32 x .25" (Mounting)	
	01327.0000	4	Screw, Pan Head #10-32 x .38"	] Terminals
	01512.0000	4	Lockwasher #10	
23	12517.0001	1	Kit, LED Indicator (Includes one LED & item 21)	
	25292.0000	1	Lockwasher M6	
	34130.0000	1	Nut M6	
24	26081.0001	1	Wiring Harness, Main 200-240V (Not illustrated)	
25	38920.0005	1	Wiring Harness, Master ON/OFF Switch (Not illustrated)	
26	M2522.1000	-	Heat Sink Compound 5 oz. (Not illustrated)	



2nd Style w/Early Inlet Valve



## DIGITAL CONTROL BOARD & ELECTRICAL COMPONENTS (Late Models)

ITEM	PART NO.	QTY.	DESCRIPTION	
1	21112.1002	1	Panel Assy W/LED Indicators (Includes items 2, 3 & 4)	
2	21033.0000	1	Panel W/Decal (Includes item 3)	
3	21031.0000	1	Decal, Decorative - Front Panel	
4	-----	4	LED, Indicator (Order item 19)	
5	40697.1000	1	Control Board, Digital	
	02370.0001	6	Screw, Truss Head 6 - 32 x .75" (3rd Style Only)	
	01388.0000	6	Screw, Truss Head 6 - 32 x .75" (2nd Style Only)	
6	29081.0003	6	Spacer (3rd Style Only)	
	29081.0000	6	Spacer (2nd Style Only)	
7	39217.0001	1	Bracket (2nd Style Only)	
	01311.0000	2	Screw, Pan Head 8 - 32 x .25"	
8	12570.0000	1	Grommet, Temp. Sensor	
9	12568.0008	1	Probe, Temperature & Dry Plug	
10	01106.0001	1	Terminal Block, 2 Pole	
	01331.0000	2	Screw, Round Head #10 - 32 x .50"	
11	01309.0000	1	Ground Screw W/Terminal Washer 10 - 32 x .50"	
12	01590.0001	1	Connector, Cable	
13	20541.0001	2	Heat Sink	
	01388.0002	2	Screw, Truss Head 6 - 32 x .75"	
	01347.0002	2	Screw, Truss Head 6 - 32 x .375"	
14	12565.0030	2	Triac Assy, 40 Amp (Models w/.75" inlet valve)	} Also order item 24
	02328.0003	2	Screw, Pan Head 6 - 32 x .312"	
	01520.0000	2	Lockwasher, Split #6	
15	20767.0000	2	Clamp, Cable	
	01347.0002	2	Screw, Truss Head 6 - 32 x .375"	
16	00637.0004	2	Shield, Triac	
	01543.0000	2	Washer, Flat .375" I.D. x .875" O.D.	
	01522.0000	2	Washer, Flat .203" I.D. X .50" O.D.	
	00973.0000	2	Nut, Keps 6 - 32	
17	01570.0000	2	Wire Nut, 2-24 AWG Min. Yellow	
18	38894.0001	1	Switch, Master ON/OFF	
	01308.0002	2	Screw, Truss Head, Locking #6-32 x .25" (Mounting)	
	01327.0000	4	Screw, Pan Head #10-32 x .38"	} Terminals
	01512.0000	4	Lockwasher #10	

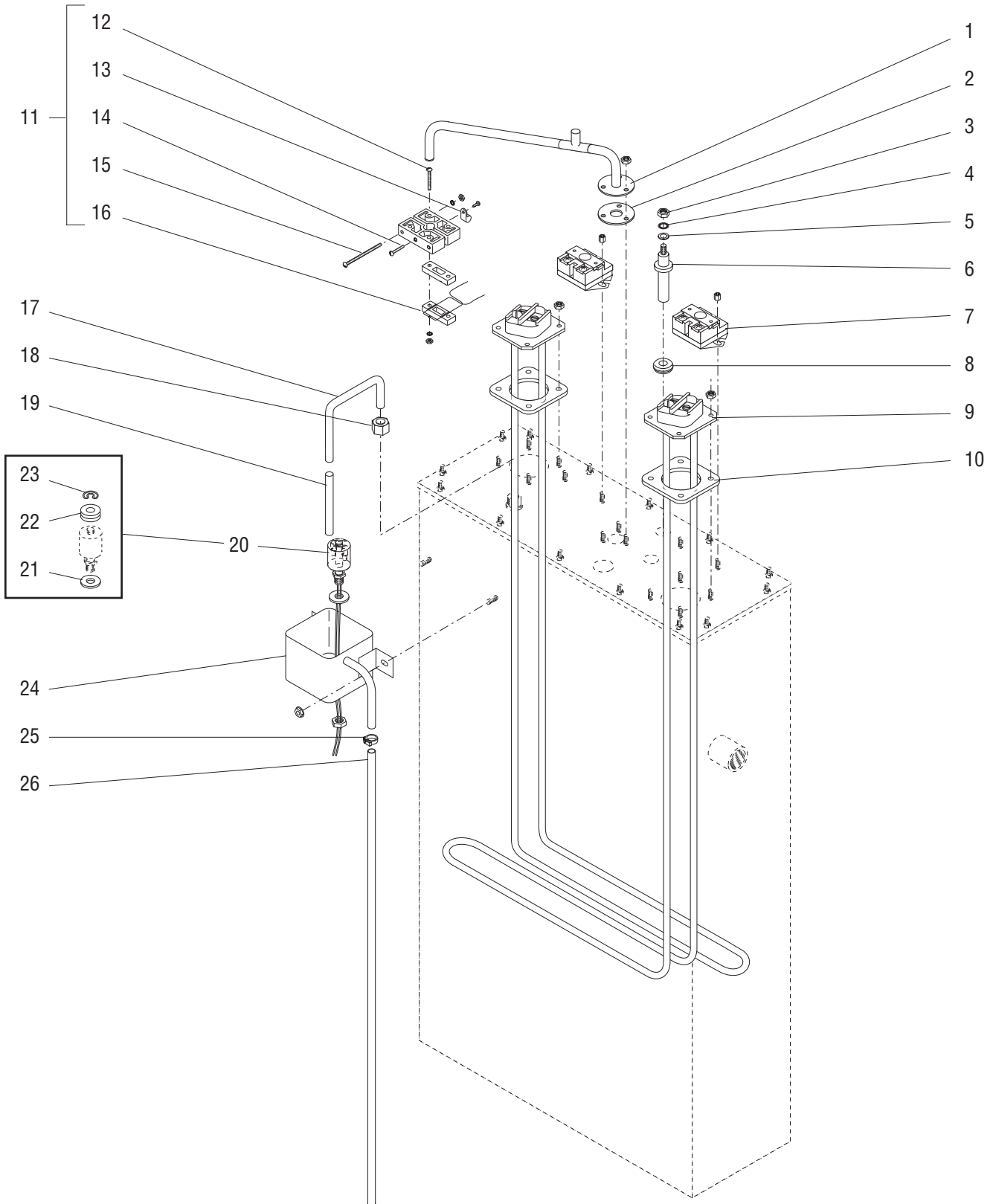
**The following items are not illustrated**

19	12517.0001	1	Kit, LED Indicator (Includes one LED & item 17)
	25292.0000	1	Lockwasher M6
	34130.0000	1	Nut M6
20	26081.0003	1	Wiring Harness, Main
21	38920.0010	1	Wiring Harness, Master ON/OFF Switch to Term. Block
22	40713.0000	1	Wiring Harness, Relay to Triac (Models w/early inlet valve)
	40713.0001	1	Wiring Harness, Relay to Triac (Models w/.75" inlet valve)
23	40714.0000	1	Wiring Harness, Relay/Triac COM
24	M2522.1000	-	Heat Sink Compound 5 oz.



# TANK HEATER & OVERFLOW PROTECTION COMPONENTS (Early Models)

## H10X



## TANK HEATER & OVERFLOW PROTECTION COMPONENTS (Early Models)

ITEM	PART NO.	QTY.	DESCRIPTION
1	24645.0001 00908.0000	1 3	Tube, Overflow Nut, Hex 8 - 32
2	05515.0000	1	Gasket, Overflow Tube
3	00908.0000	1	Nut, Hex 8 - 32
4	20203.0100	1	Lockwasher, Internal Tooth #8
5	01501.0000	1	Washer, .164" I.D. x .375" O.D.
6	20936.1000	1	Probe Kit, Water Level (Includes items 3, 4 & 5)
7	23717.0003 00932.0000	2 4	Thermostat, Limit Spacer, Hex 8 - 32 x .375"
8	02536.0000	1	Grommet, .375" I.D.
9	21953.1001 21953.1000 00908.0000	2 2 8	Tank Heater Kit 4000W 240V Tank Heater Kit 4000W 208V Nut, Hex 8 - 32
			} Includes item 10
10	12398.0000	2	Gasket, Tank Heater
11	12586.0001	1	Thermistor Assy (Includes items 12 thru 16)
12	02370.0001 01520.0000 00906.0000	2 2 2	Screw, Pan Head 6 - 32 x 1.25" Lockwasher, Split #6 Nut, 6 - 32
13	41760.0000 01382.0000	1 1	Clamp, Thermistor Screw, Truss Head 6 - 32 x .38"
14	01388.0000	1	Screw, Truss Head 6 - 32 X .75"
15	02370.0002 01520.0000 00906.0000	2 2 2	Screw, Pan Head 6 - 32 x 2.0" Lockwasher, Split #6 Nut, 6 - 32
16	12551.0001	1	Thermistor
17	25396.0000	1	Tube Assy, Overflow (Includes item 18)
18	00929.0001	1	Nut/Sleeve, Compression .38"
19	-----	1	Tube, Silicone .312" I.D. x 3.0" (Order item 27)
20	03803.0000 00946.0000	1 1	Switch Assy, Liquid Level (Includes items 21, 22 & 23) Nut, Hex .125" FPT
21	03633.0000	2	Gasket, Float Switch (Only 1 used in this application)
22	-----	3	Washer, Adjusting (DO NOT USE IN THIS APPLICATION)
23	03807.0000	1	Clip, Spring
24	00971.0000	1 2	Overflow Cup Assy (NO LONGER AVAILABLE) Nut, Keps #10 - 32
25	12422.0000	1	Clamp, Hose .47"/.54" I.D.
26	-----	1	Tube, Silicone .312" I.D. x 23.0" (Order item 27)

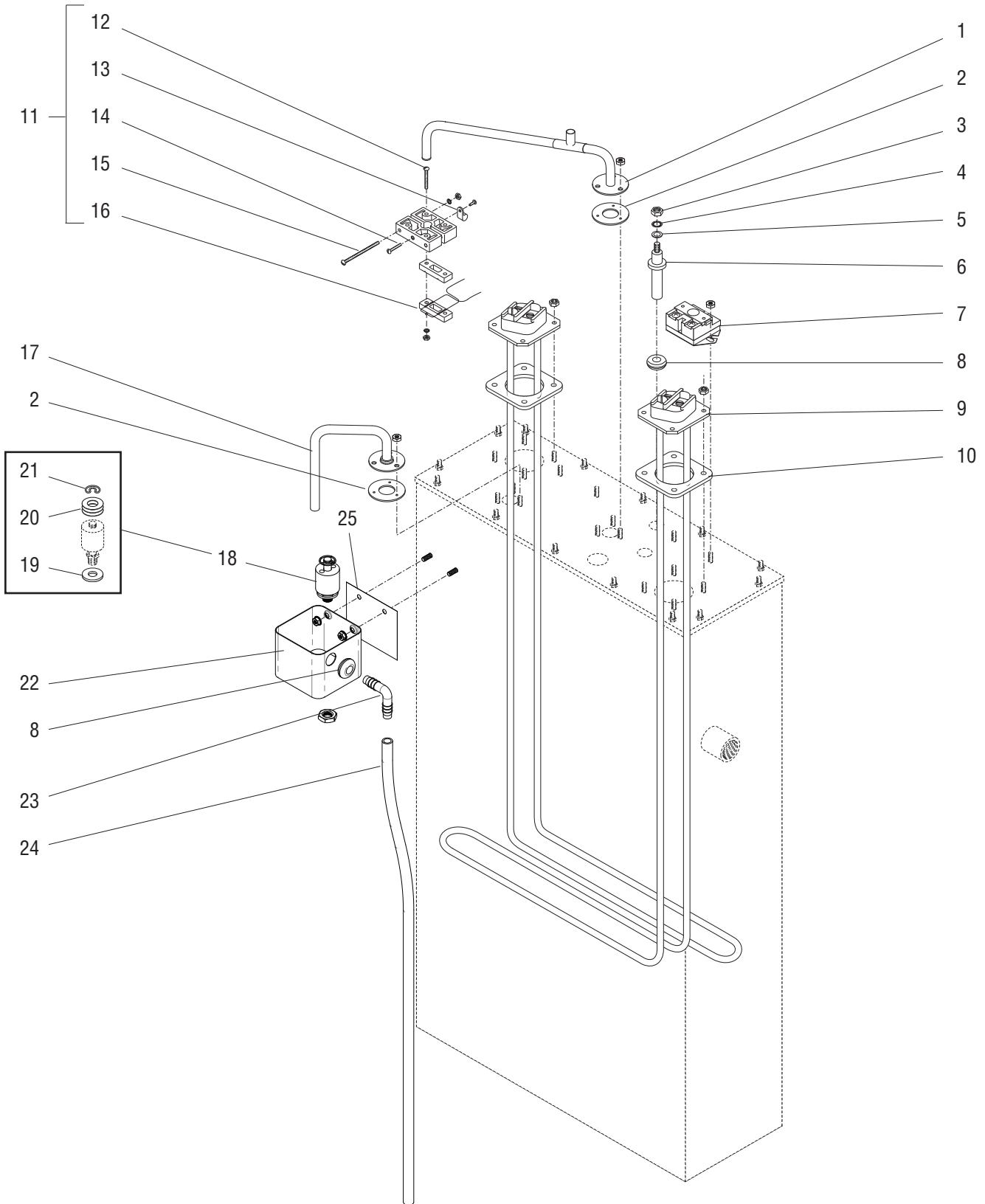
**The following items are not illustrated**

27	03236.1000	-	Tube, Silicone .312" I.D. x 12.0"
	03236.1001	-	Tube, Silicone .312" I.D. x 36.0"
	03236.1002	-	Tube, Silicone .312" I.D. x 120.0"
	03236.1003	-	Tube, Silicone .312" I.D. x 60.0"



# TANK HEATER & OVERFLOW PROTECTION COMPONENTS (Late Models)

## H10X



## TANK HEATER & OVERFLOW PROTECTION COMPONENTS (Late Models)

ITEM	PART NO.	QTY.	DESCRIPTION
1	24645.0001	1	Tube, Overflow
	00908.0000	3	Nut, Hex 8 - 32
2	05515.0000	2	Gasket, Overflow Tube
3	00908.0000	1	Nut, Hex 8 - 32
4	20203.0100	1	Lockwasher, Internal Tooth #8
5	01501.0000	1	Washer, .164" I.D. x .375" O.D.
6	20936.1000	1	Probe Kit, Water Level (Includes items 3, 4 & 5)
7	23717.0003	2	Thermostat, Limit
	00932.0000	4	Spacer, Hex 8 - 32 x .375"
8	02536.0000	2	Grommet, .375" I.D.
9	21953.1001	2	Tank Heater Kit 4000W 240V
	21953.1000	2	Tank Heater Kit 4000W 208V
	00908.0000	8	Nut, Hex 8 - 32
			} Includes item 10
10	12398.0000	2	Gasket, Tank Heater
11	12586.0001	1	Thermistor Assy (Includes items 12 thru 16)
12	02370.0001	2	Screw, Pan Head 6 - 32 x 1.25"
	01520.0000	2	Lockwasher, Split #6
	00906.0000	2	Nut, 6 - 32
13	41760.0000	1	Clamp, Thermistor
	01382.0000	1	Screw, Truss Head 6 - 32 x .38"
14	01388.0000	1	Screw, Truss Head 6 - 32 X .75"
15	02370.0002	2	Screw, Pan Head 6 - 32 x 2.0"
	01520.0000	2	Lockwasher, Split #6
	00906.0000	2	Nut, 6 - 32
16	12551.0001	1	Thermistor
17	25396.1001	1	Tube Assy, Overflow
18	03803.0000	1	Switch Assy, Liquid Level (Includes items 19-21)
	00946.0000	1	Nut, Hex .125" FPT
19	03633.0000	2	Gasket, Float Switch (Only 1 used in this application)
20	-----	3	Washer, Adjusting (DO NOT USE IN THIS APPLICATION)
21	03807.0000	1	Clip, Spring
22	41259.1003	1	Overflow Cup Assy (Replacement for Aluminum & Copper Cups)
	00971.0000	2	Nut, Keps #10 - 32
23	41280.0001	1	Fitting
24	-----	1	Tube, Silicone .312" I.D. x 23.0" (Order item 26)
25	41266.0000	1	Film, Insulating

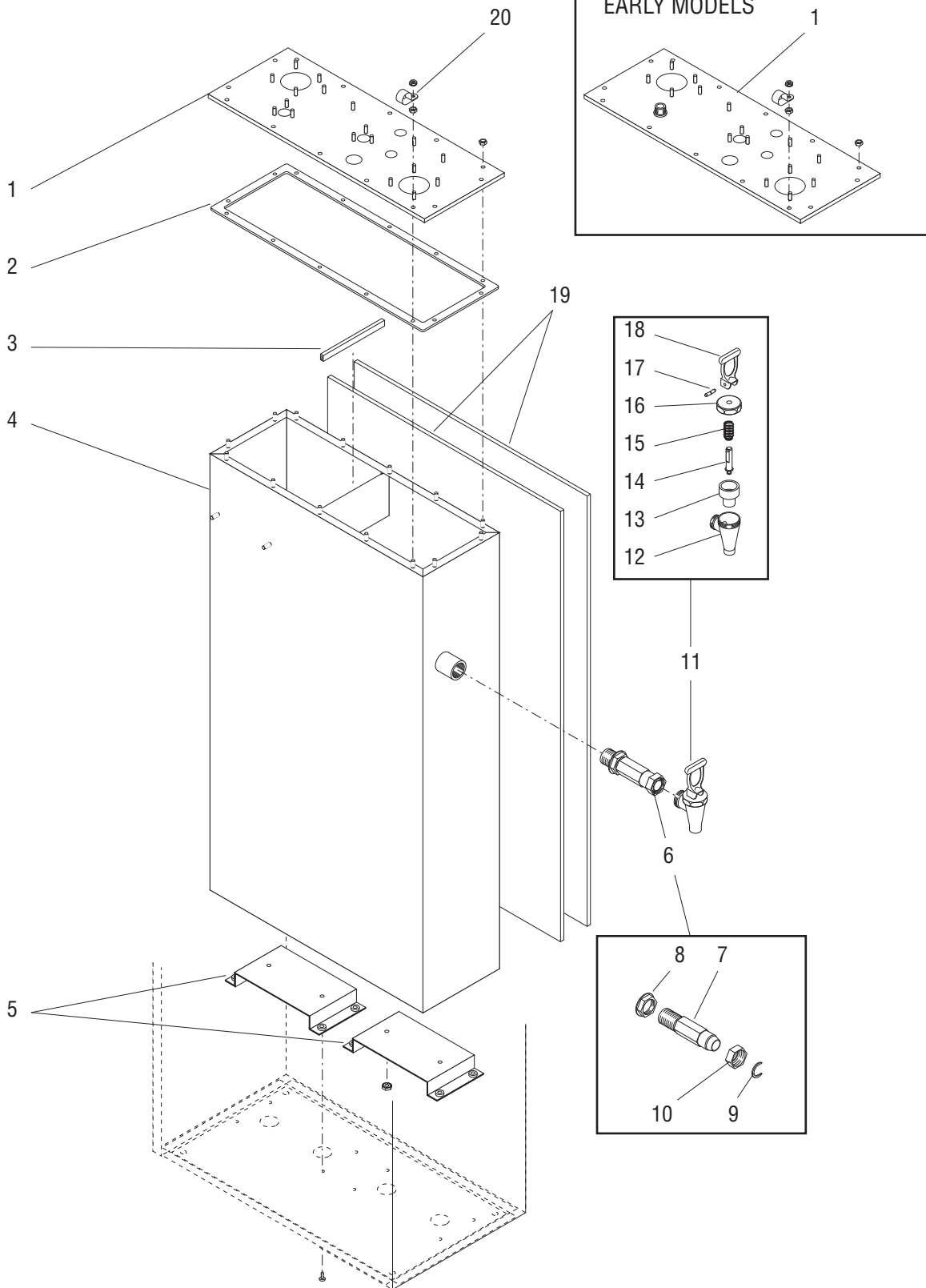
**The following items are not illustrated**

26	03236.1000	-	Tube, Silicone .312" I.D. x 12.0"
	03236.1001	-	Tube, Silicone .312" I.D. x 36.0"
	03236.1002	-	Tube, Silicone .312" I.D. x 120.0"
	03236.1003	-	Tube, Silicone .312" I.D. x 60.0"



# TANK & FAUCET

# H10X



## TANK & FAUCET

ITEM	PART NO.	QTY.	DESCRIPTION
1	22529.0000	1	Lid, Tank (Early Models)
	22529.1001	1	Lid, Tank (Late Models)
	00908.0000	14	Nut, 8 - 32
2	20883.0000	1	Gasket, Tank lid
3	-----	1	U-Channel (4.60") (Order item 21)
4	22531.1002	1	Tank
5	22534.0000	2	Bracket, Tank Mounting
	00971.0000	4	Nut, Keps 10 - 32
	02308.0000	8	Screw, Pan Head 8 - 32 x .50"
6	01262.0004	1	Faucet Shank Assy (Includes items 7 thru 10)
7	-----	1	Faucet Shank Body (Not available order item 6)
8	07119.0000	1	Faucet Shank Nut
9	01221.0000	1	Faucet Shank C-Ring
10	01268.0000	1	Faucet Union Nut
11	07094.0101	1	Faucet Assy Red Handle & Bnt Self/Lock AM (Includes items 12 thru 18)
12	-----	1	Faucet Body (Not available order item 11)
13	00600.0000	1	Faucet Seat Cup
14	35271.0001	1	Faucet Stem AM
15	00601.0000	1	Faucet Spring
16	07127.0103	1	Faucet Bonnet Nut, 1.375-18 AM
17	01219.0000	1	Faucet Handle Pin
18	07244.0100	1	Faucet Handle Red/Water AM
19	01024.0001	2	Insulation, Tank
20	00603.0000	1	Clamp
	00970.0000	1	Nut, Keps 8 - 32

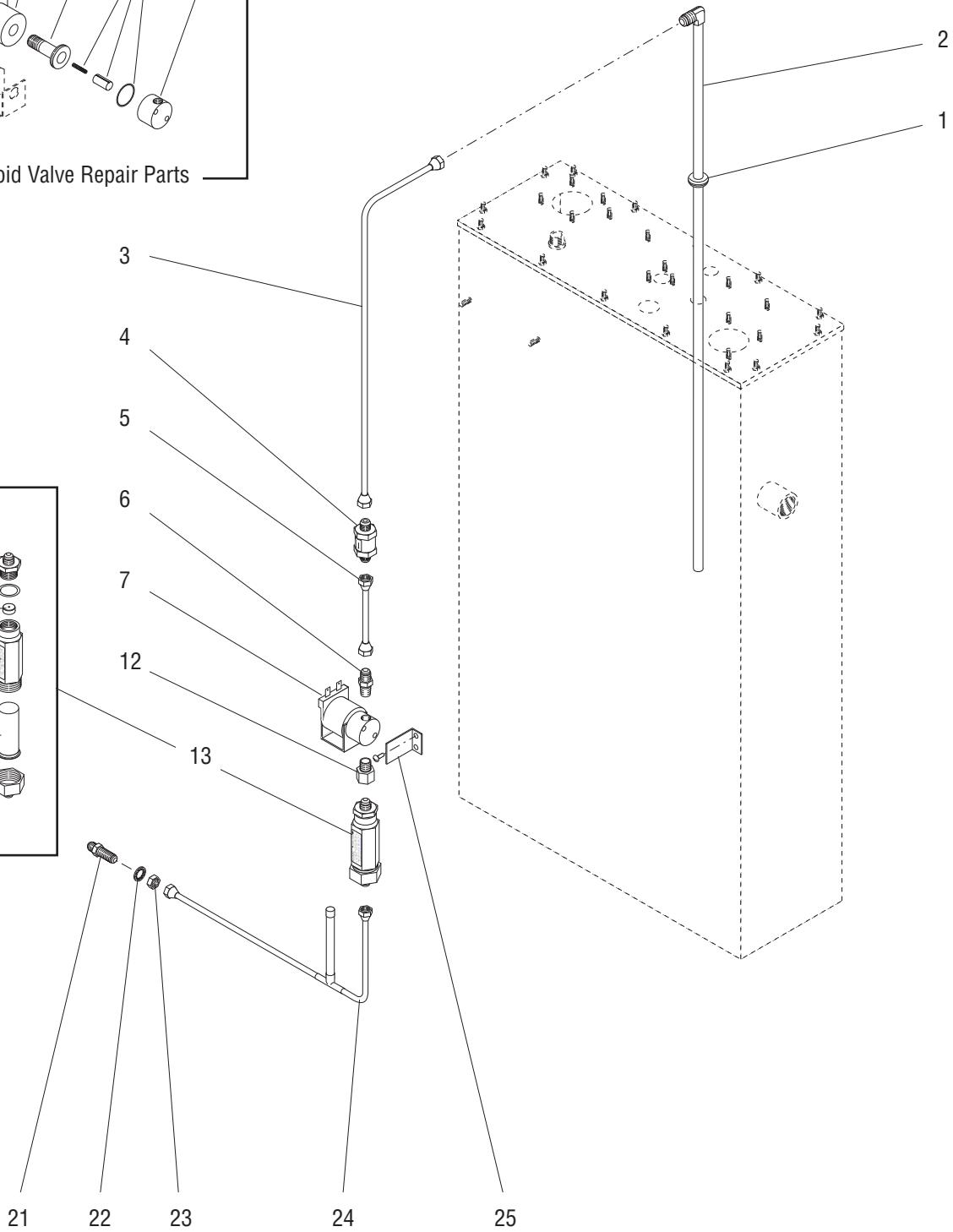
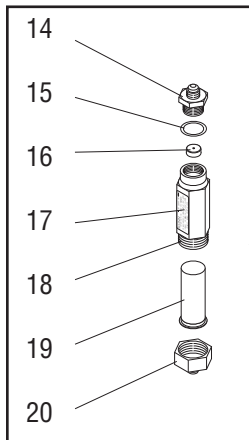
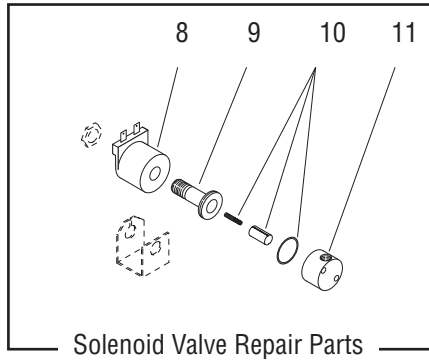
**The following items are not illustrated**

21	02434.1000	-	U-Channel (18.0") (Not illustrated)
22	28710.0000	-	Faucet Kit (Includes items 13,14,15 & 18)



# STRAINER/FLOW CONTROL, SOLENOID & WATER LINES (Early Models)

## H10X



## STRAINER/FLOW CONTROL, SOLENOID & WATER LINES (Early Models)

ITEM	PART NO.	QTY.	DESCRIPTION
1	02536.0000	1	Grommet, .375" I.D.
2	25395.0000	1	Tube, Fill
3	26257.0000	1	Tube Assy, Check Valve to Fill Tube (Includes nuts)
4	01171.0001	1	Check Valve (Refer to item 26 for Repair Kit)
5	26256.0000	1	Tube Assy, Solenoid to Check Valve (Includes nuts)
6	00402.0001	1	Connector, .250" Flare x .125" MPT
7	01975.0000	1	Solenoid Valve Assy, 208-240V
	01327.0000	2	Screw, Pan Head 10 - 32 x .375"
	01502.0000	2	Lockwasher, Split #10
8	01100.0000	1	Solenoid Valve Coil, 208-240V
9	01116.0000	1	Sleeve Assy, Solenoid Valve
10	01111.0000	1	Solenoid Valve Repair Kit (Contains a Spring, Plunger & Seal)
11	01079.0000	1	Solenoid Valve Base
12	24613.0001	1	Adapter, .25" Female Flare x .125" MPT
13	37855.1750	1	Strainer/Flow Control Assy (.750 GPM) (Includes items 14 thru 20)
14	36687.0000	1	Flow Control Outlet
15	01155.0000	1	Flow Control Gasket
16	37857.1750	1	Flow Washer/Gasket Set, .750 GPM (Includes item 15)
17	22307.0750	1	Decal, Strainer/Flow Control (.750 GPM)
18	-----	1	Body (Not Available order item 13)
19	23721.0000	1	Screen
20	22249.0000	1	End Cap
21	00459.0000	1	Bulkhead Fitting, .250" Flare
22	01532.0000	1	Lockwasher, Internal Tooth .438" I.D.
23	00463.0000	1	Nut, Hex .438" - 20
24	26255.0000	1	Tube Assy, Bulkhead to Strainer/Flow Control (Includes nuts)
25	04623.0002	1	Bracket, Solenoid Valve Mounting
	01311.0000	2	Screw, Truss Head 8 - 32 x .25"

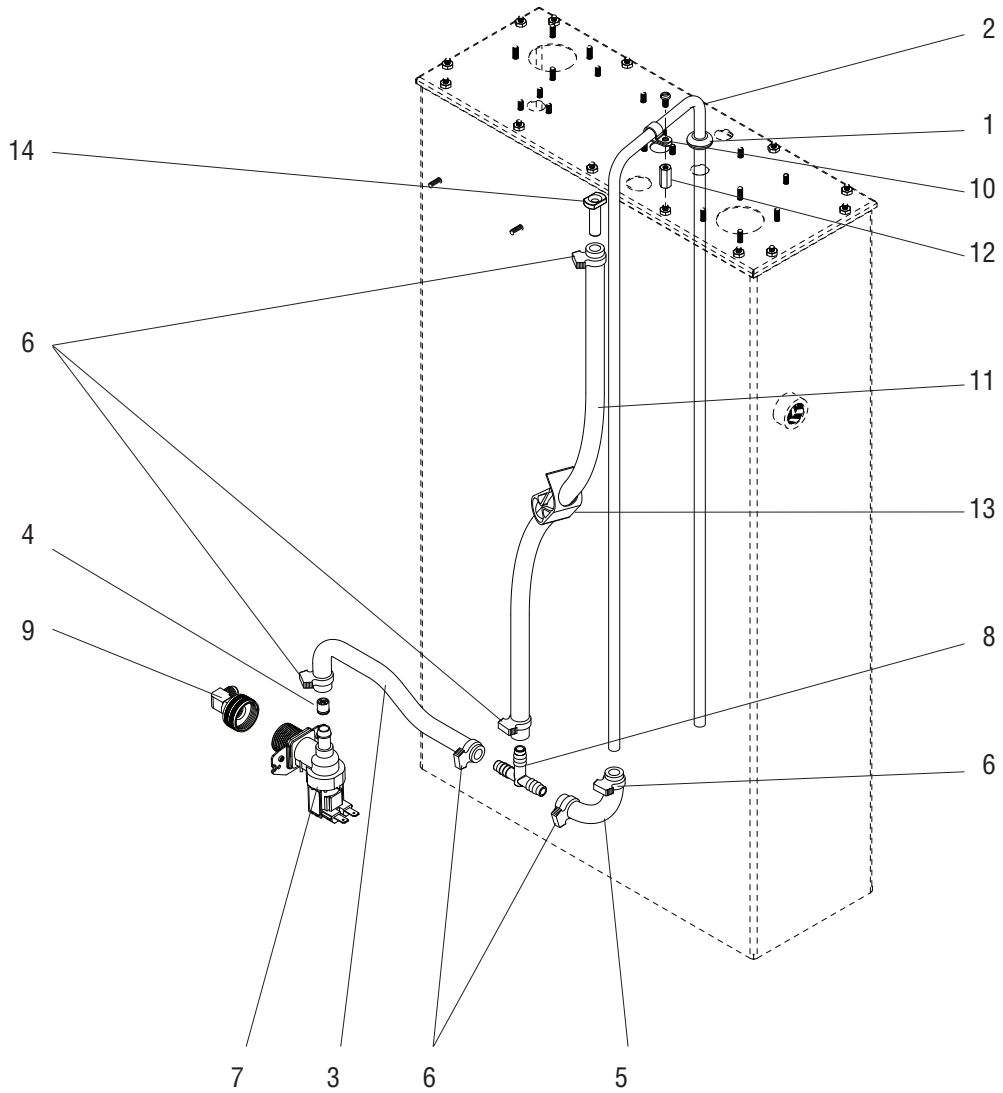
**The following items are not illustrated**

26	01170.0000	1	Check Valve Repair Kit (Contains: Gasket, Spring & Seat Assembly)
----	------------	---	---



# SOLENOID & WATER LINES (Late Models)

## H10X



## SOLENOID & WATER LINES (Late Models)

ITEM	PART NO.	QTY.	DESCRIPTION
1	02536.0000	1	Grommet, .375" I.D.
2	25395.0001	1	Tube, Fill
3	-----	1	Tubing, Valve to Tee .375" I.D. (8')
4	36378.0001	1	Check Valve
5	-----	1	Tubing, Tee to Fill Tube .375" I.D. (4')
6	12422.0001	6	Clamp, SNP-10
7	40506.1011	1	Solenoid Valve Assy, 220-240V (.75GPM)
	32283.0000	2	Screw, Pan Head M4 x 6MM
8	38948.0001	1	Fitting, Tee
9	37297.0006	1	Elbow, .25" Flare x .75" Hose THD
10	26263.0001	1	Clamp, SST
	02308.0000	1	Screw, Pan Head 8-32 x .50"
11	-----	1	Tubing, Drain .375" I.D. (24')
12	00950.0000	1	Spacer, Hex. 8-32 x .75"
13	11630.0002	1	Clamp Shut Off, Tube
14	34392.0000	1	Plug

**The following items are not illustrated**

15	20976.1000	-	Tubing, .375" I.D. - 1 Ft.
	20976.1001	-	Tubing, .375" I.D. - 3 Ft.
	20976.1002	-	Tubing, .375" I.D. - 10 Ft.
	20976.1004	-	Tubing, .375" I.D. - 250 Ft.

NUMERICAL INDEX

PART NO.	PAGE NO.	PART NO.	PAGE NO.	PART NO.	PAGE NO.	PART NO.	PAGE NO.
00402.0001	17	01543.0000	7,9	21033.0000	7,9	40713.0000	9
00459.0000	17	01570.0000	7,9	21112.1002	7,9	40713.0001	9
00463.0000	17	01590.0001	7,9	21953.1000	11,13	40714.0000	9
00600.0000	15	01667.0000	7	21953.1001	11,13	41186.0000	7
00601.0000	15	01975.0000	17	22249.0000	17	41259.1003	13
00603.0000	15	02308.0000	7,15,19	22307.0750	17	41266.0000	13
00619.0002	7	02328.0003	7,9	22529.0000	15	41280.0001	13
00637.0004	7,9	02329.0000	5	22529.1001	15	41760.0000	11,13
00656.0000	5	02336.0000	5	22531.1002	15	M2522.1000	7,9
00751.0000	5	02370.0001	9,11,13	22534.0000	15		
00752.0000	5	02370.0002	11,13	22761.0000	5		
00754.0001	5	02434.1000	15	23717.0003	11,13		
00824.0000	5	02536.0000	11,13	23721.0000	17		
00831.0000	5	02536.0000	17,19	24406.0001	7		
00906.0000	11,13	03011.0000	5	24613.0001	17		
00908.0000	11,13,15	03236.1000	11,13	24645.0001	11,13		
00929.0001	11	03236.1001	11,13	25292.0000	7,9		
00932.0000	11,13	03236.1002	11,13	25394.0000	7		
00946.0000	11,13	03236.1003	11,13	25395.0000	17		
00950.0000	19	03633.0000	11,13	25395.0001	19		
00970.0000	15	03803.0000	11,13	25396.0000	11		
00971.0000	11,13,15	03807.0000	11,13	25396.1001	13		
00973.0000	7,9	04623.0002	17	26081.0001	7		
01024.0001	15	05515.0000	11,13	26081.0003	9		
01079.0000	17	07094.0101	15	26255.0000	17		
01100.0000	17	07119.0000	15	26256.0000	17		
01106.0001	7,9	07127.0103	15	26257.0000	17		
01111.0000	17	07244.0100	15	26263.0000	7		
01116.0000	17	10888.0000	5	26263.0001	19		
01155.0000	17	11630.0002	19	26611.0000	5		
01170.0000	17	12268.0000	5	26612.0000	5		
01171.0001	17	12398.0000	11,13	26612.0001	5		
01175.0000	5	12422.0000	11	26612.0003	5		
01219.0000	15	12422.0001	19	26618.0000	5		
01221.0000	15	12517.0001	7,9	28710.0000	15		
01262.0004	15	12537.0000	5	29081.0000	9		
01268.0000	15	12551.0001	11,13	29081.0003	9		
01308.0002	7,9	12559.0002	7	32283.0000	19		
01309.0000	7,9	12565.0009	7	34130.0000	7,9		
01311.0000	7,9,17	12565.0022	7	34392.0000	19		
01311.0001	5	12565.0030	9	35271.0001	15		
01327.0000	7,9,17	12568.0008	9	36378.0001	19		
01331.0000	7,9	12570.0000	7,9	36687.0000	17		
01347.0002	7,9	12586.0001	11,13	37297.0006	19		
01382.0000	7,11,13	12593.0000	5	37855.1750	17		
01388.0000	7,9,11,13	20203.0100	11,13	37857.1750	17		
01388.0002	7,9	20541.0001	7,9	37881.0000	5		
01501.0000	11,13	20767.0000	7,9	38894.0001	7,9		
01502.0000	17	20883.0000	15	38920.0005	7		
01510.0000	7	20936.1000	11,13	38920.0010	9		
01512.0000	7,9	20976.1000	19	38948.0001	19		
01520.0000	7,9,11,13	20976.1001	19	39217.0001	9		
01522.0000	7,9	20976.1002	19	40506.1011	19		
01532.0000	17	20976.1004	19	40697.1000	9		
01533.0000	7	21031.0000	7,9	40707.0000	5		