

ICB Twin, ICB-DV, ICBA, ICBB



ILLUSTRATED PARTS CATALOG

Designs, materials, weights, specifications, and dimensions for equipment or replacement parts are subject to change without notice. To ensure you have the latest revision of the Operating Manual, Illustrated Parts Catalog, Programming Manual, or Service Manual, please visit the Bunn-O-Matic website, at www.bunn.com. This is absolutely FREE, and the quickest way to obtain the latest catalog and manual updates. For Technical Service, contact Bunn-O-Matic Corporation at 1-800-286-6070.

Bunn-O-Matic Corporation

Post Office Box 3227, Springfield, Illinois 62708-3227

Phone (217) 529-6601 | Fax (217) 529-6644

BUNN-O-MATIC COMMERCIAL PRODUCT WARRANTY

Warranty statements and information can be found on our website. Please visit <https://commercial.bunn.com/support/warranty-lookup> for further details.

TABLE OF CONTENTS

HOOD ASSEMBLIES4

TRUNKS.....6

BASES.....8

TANK AND COMPONENTS 10

TANK FILL/DRAIN12

DISPENSE/BYPASS VALVES & SPRAYHEAD 14

FAUCET (EARLY & LATER).....16

ELECTRICAL AND OPERATING CONTROLS 20

FUNNELS 24

To search this document electronically, press “control” + “F” (on P.C.) or “command” + “F” on Mac, then type in description or part number, press “enter”.

To order coffee filters, water filters, or other accessories, refer to Specification Sheets at www.bunn.com

ICB DVDual Voltage Brewer

ICBA..... 230V Brewer

ICBB..... 200V Brewer

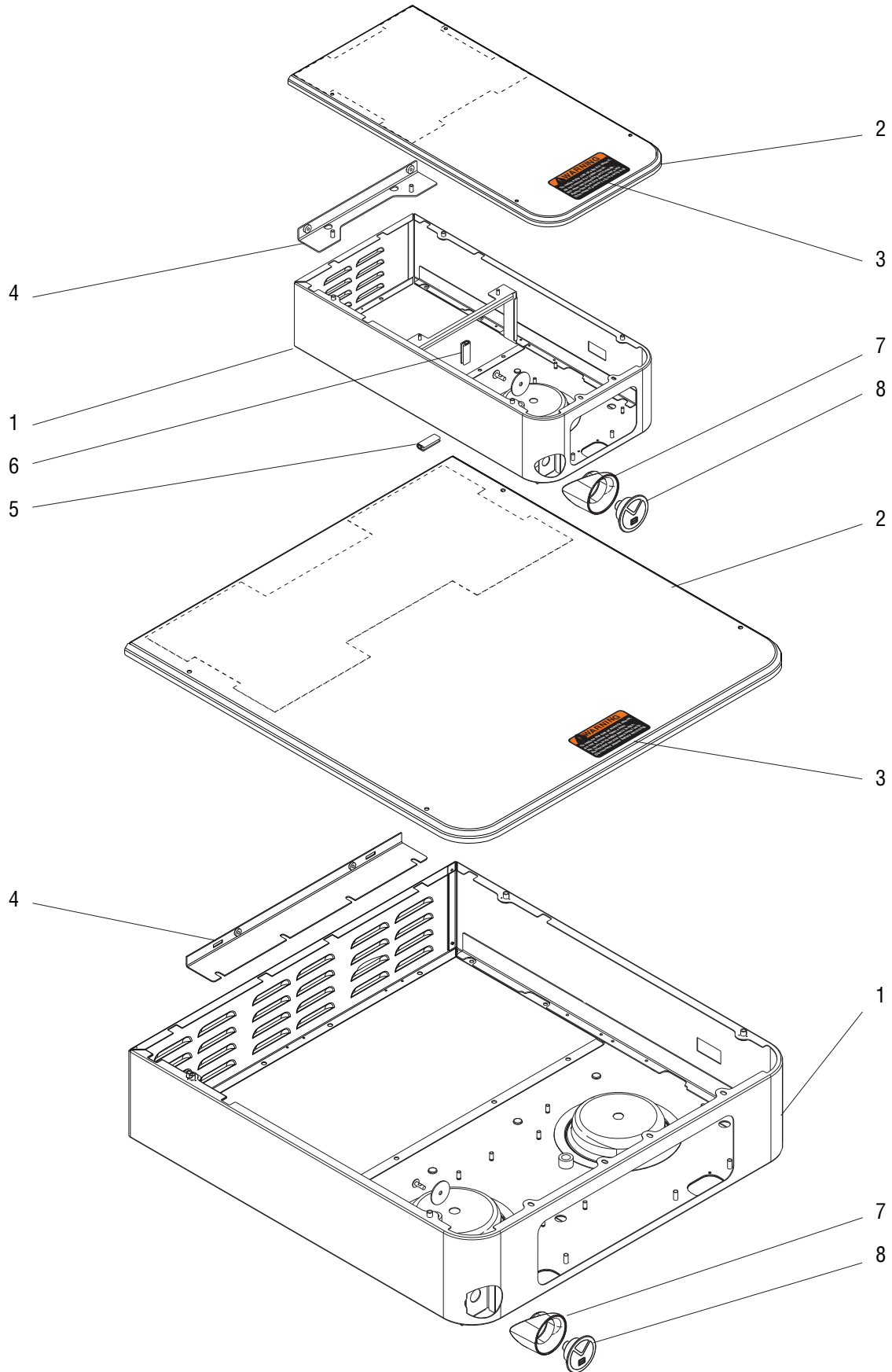
ICB Twin..... Twin Brewer

Fraction	Decimal		Fraction	Decimal
1/16	0.063		9/16	0.563
1/8	0.125		5/8	0.625
3/16	0.188		11/16	0.688
1/4	0.250		3/4	0.750
5/16	0.313		13/16	0.813
3/8	0.375		7/8	0.875
7/16	0.438		15/16	0.938
1/2	0.500		1	1.000



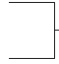

HOOD ASSEMBLIES

ICB Series



P4419.50

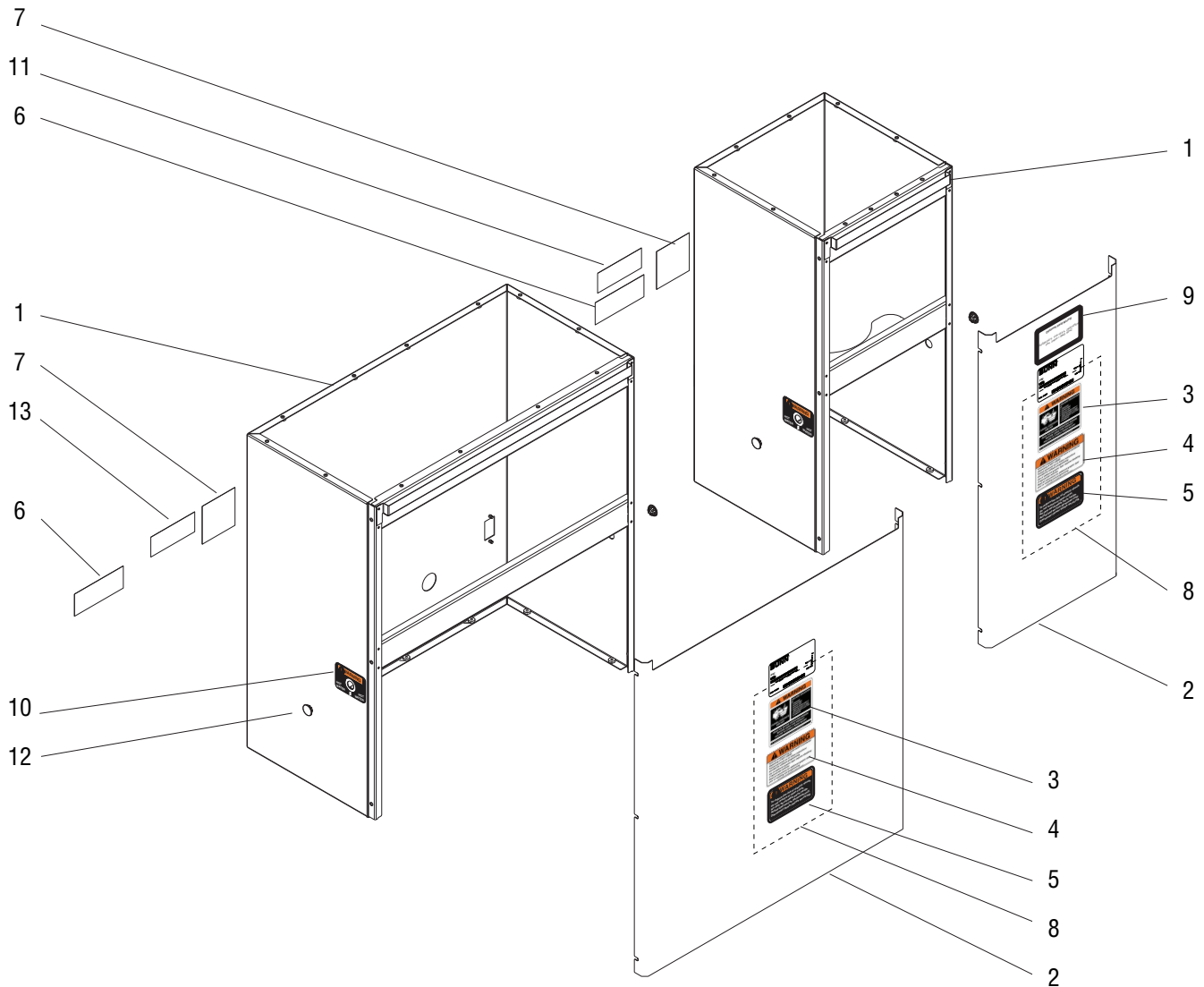
HOOD ASSEMBLIES

ITEM	PART NO.	QTY. TWIN	QTY. SINGLE	DESCRIPTION
1	52706.0005	-	1	Hood, SST
	53049.0002	1	-	Hood, SST
	02308.0000	12	10	Screw, Pan Head #8-32 x .38"
2	44736.1034	1	-	Cover, Top  Includes item 3
	44736.1023	-	1	Cover, Top  Includes item 3
	01311.0004	4	4	Screw, Truss Head BLK #6-32 x .25" Lkg
3	37881.0000	1	1	Decal, No Serviceable Parts
	37881.7950	-	1	Decal, No User Serviceable Parts (INMETRO)
4	37967.0000	1	-	Bracket, Tank Support, Twin (Upper)
	01308.0002	2	-	Screw, Truss Head #6-32 x .25" Lkg
	36608.0002	-	1	Bracket, Tank Support, Single
	02308.0000	-	2	Screw, Pan Head #8-32 x .38"
5		-	1	Edging 1.0" (Order item 9)
6		-	1	Gasket, U-channel 2.0" (Order item 10)
7	52896.0000	1	1	Bezel
	28629.0000	1	1	Screw, Pnh Ph#8-18 x .38 "25" SST
	33651.0000	1	1	Washer
8	53619.0001	1	1	Plug, Faucet Hole Hood Infusion
9	02712.1000	-	-	Edging 18.0" (Use as required)
10	02434.1000	-	-	Gasket, U-channel 18.0" (Use as required)



TRUNKS

ICB Series



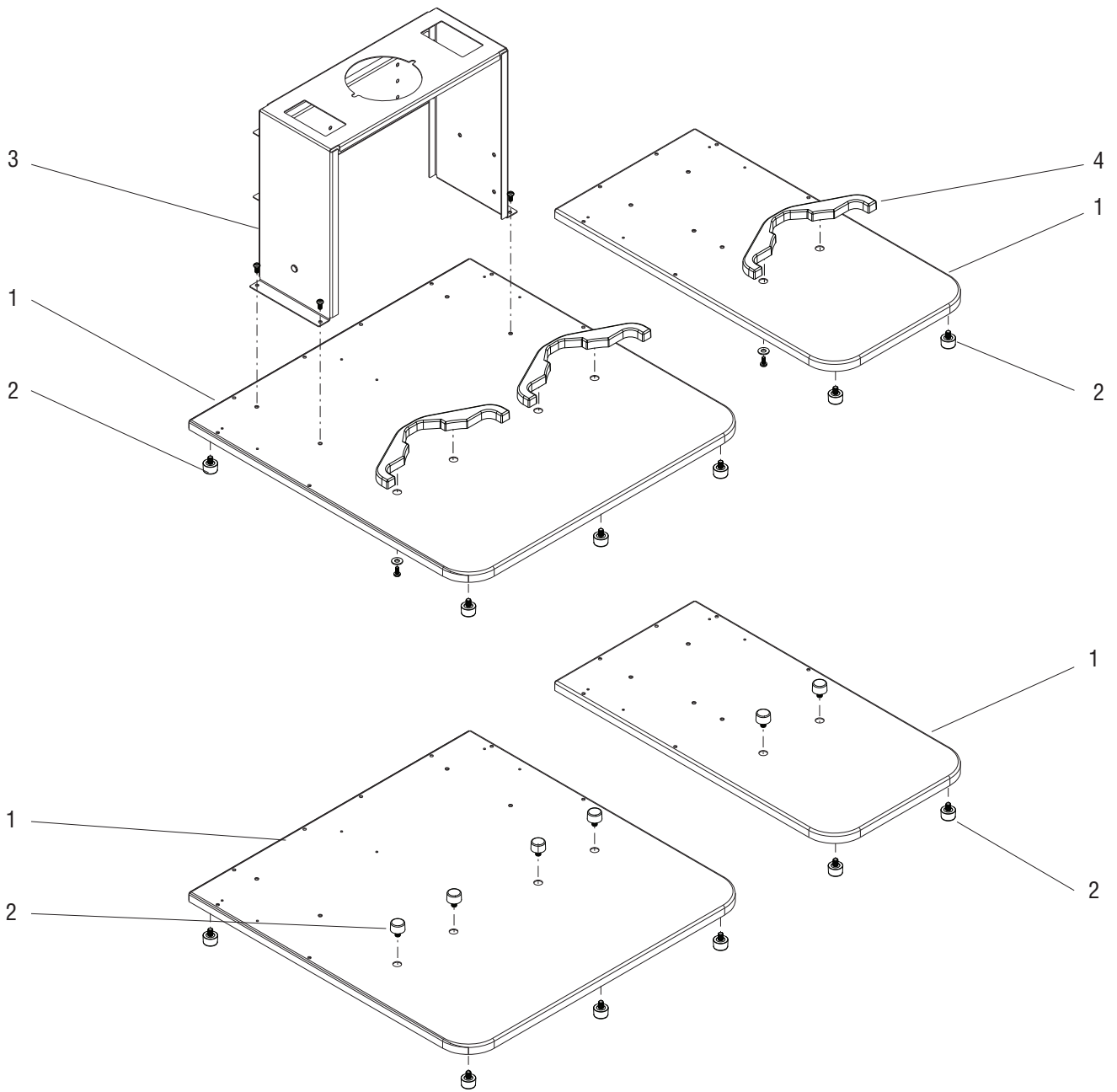
TRUNKS

ITEM	PART NO.	QTY. TWIN	QTY. SINGLE	DESCRIPTION
1	45860.1018	-	1	Trunk
	45860.1020	-	1	Trunk, Tall
	45860.1016	1	-	Trunk
	45860.1024	1	-	Trunk, Tall
	02308.0000	8	6	Screw #8-32 x .38"
				Includes items 7, 8, 10, 11
2	52656.1005	-	1	Panel, Front
	52656.1007	-	1	Panel, Front, Tall
	52873.1006	1	-	Panel, Front
	52873.1008	1	-	Panel, Front, Tall
	01315.0000	6	6	Screw, Truss Head #8-32 x .38"
				Includes items 4 - 6, & 9
3	00658.0000	1	1	Decal, Warning-Decanter/Funnel
4	39175.0000	1	1	Decal, Warning Overlay Graphic
5	37881.0000	1	1	Decal, No User Serviceable Parts
	37881.7950	-	1	Decal, No User Serviceable Parts (INMETRO)
6	00656.0001	1	1	Decal, Compliance To Plumbing Code
7	00986.0000	1	1	Decal, Warning-Electrical
8	37299.0011	1	-	Schematic, Electrical
	37299.0009	-	1	Schematic, Electrical, 120V
	37299.0010	-	1	Schematic, Electrical, 230V
9	29710.0011	-	1	Decal, Optional Field Wiring
10	29007.0005	2	2	Decal, Warning Hot Water
	29007.0005	-	2	Decal, Warning Hot Water (INMETRO)
11	51453.0000	-	1	Decal, Warning Risk Of Fire
12	00619.0002	2	2	Plug (Used when Faucet Kit not installed)
13	38125.0000	1	-	Decal, Warning - Plug 125/250



BASES

ICB Series



P4421.40

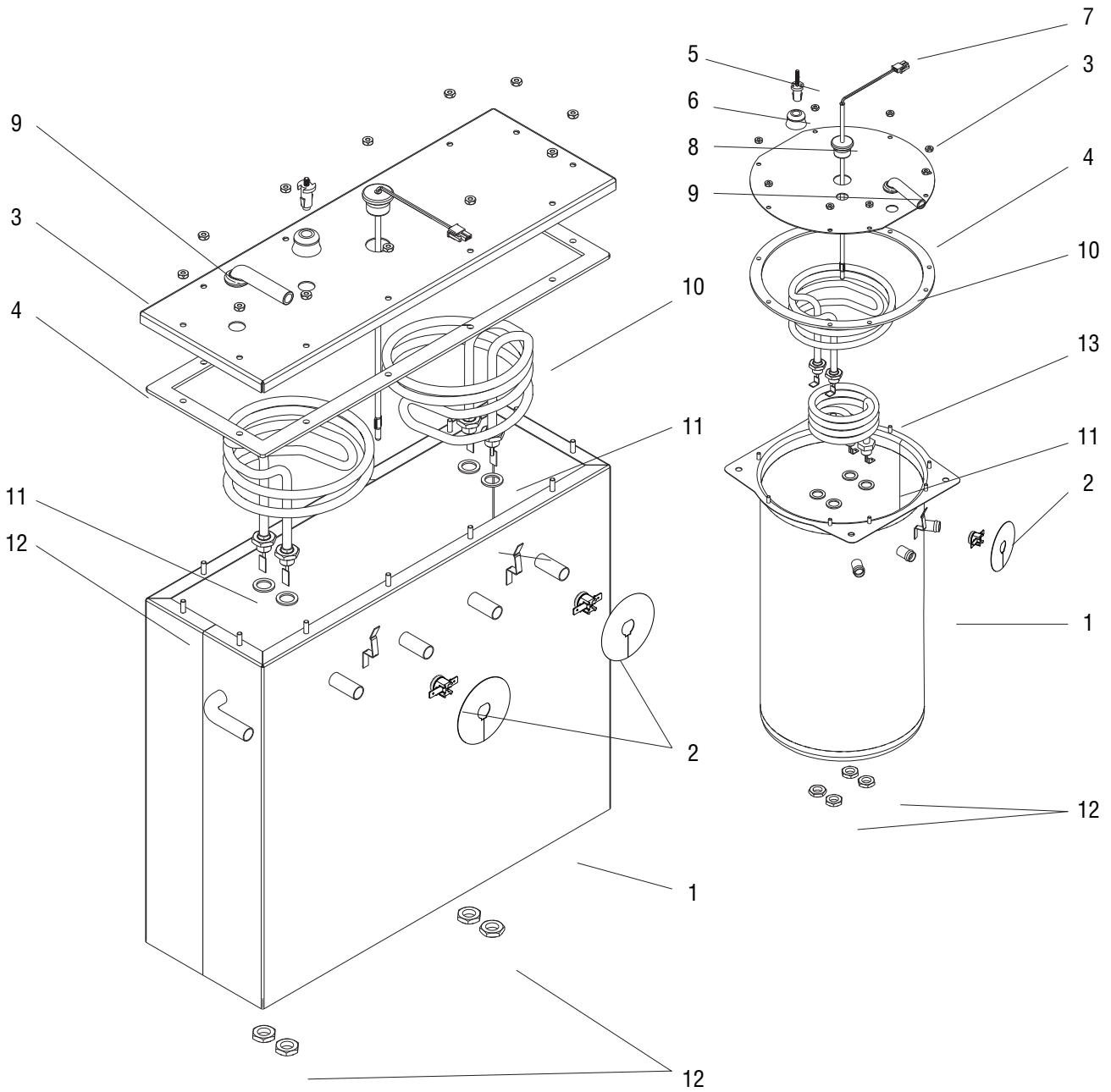
BASES

ITEM	PART NO.	QTY. TWIN	QTY. SINGLE	DESCRIPTION
1	52649.0003	-	1	Base
	52649.0006	-	1	Base, Tall
	52649.0004	1	-	Base
	52649.0009	1	-	Base, Tall
2	25137.0001	6	4	Leg (Add 2 for Tall Single, Add 4 for Tall Twin)
3	37953.0005	1	-	Lower Tank Support
	37953.0008	1	-	Lower Tank Support, Tall
	02308.0000	4	-	Screw #8-32 x .38"
4	37274.0001	2	1	Thermalstop
	02308.0000	4	2	Screw #8-32 x .38"
	01503.0000	4	2	Washer



TANK AND COMPONENTS

ICB Series



P4392.60

TANK AND COMPONENTS

ITEM	PART NO.	QTY. TWIN	QTY. SINGLE	DESCRIPTION	
1	37782.0005	1	-	Tank, Twin 240V Flat Bottom	
	36604.0000	-	1	Tank, Single	
	00970.0000	-	3	Nut, Keps #8-32	
	00908.0000	-	2	Nut, #8-32	} Ground circuit for liquid level probe - Singles
	01501.0000	-	2	Flat Washer	
	20203.0100	-	2	Lock Washer, Ext. Tooth #8	
2	29329.1000	2	1	Thermostat, Limit	
3	37776.0005	1	-	Tank Lid, Twin	
	36606.0001	-	1	Tank Lid, Single	
	00908.0000	12	8	Nut, #8-32	} Ground circuit for liquid level probe - Twins
	01511.0000	2	1	Lock Washer, Ext. Tooth #8	
4	35937.0002	1	-	Gasket, Twin Tank Lid	
	36605.0000	-	1	Gasket, Single Tank Lid	
5	07412.1002	1	1	Probe Kit, Liquid Level	} Included in kit
	01501.0000	1	1	Flat Washer	
	20203.0100	1	1	Lock Washer, Int. Tooth #8	
	00908.0000	1	1	Nut, #8-32	
6	38114.0000	1	1	Grommet, Liquid Level Probe	
7	39085.1001	1	1	Probe, Temperature Sensor 10.5"	
8	33801.0003	1	1	Grommet, Temperature Sensor	
9	38969.0003	1	1	Fitting, 90° Silicone	
10	29485.1005	-	1	Tank Heater 2268W, 120V (Includes item 11) Single	
	29485.1006	2	-	Tank Heater 3000W, 240V (Includes item 11) Twin	
11	00943.0000	4	4	Gasket, Tank Heater	
12	00942.0000	4	4	Nut, Brass .5"-20	
13	02755.1002	-	1	Tank Heater 1680W, 120V (Includes item 11) Single	
	29669.1000	-	1	Tank Heater 3000W, 240V (Includes item 11) Single	
	20942.0000	-	1	Tank Heater 3500W, 200V (Includes item 11) Single	
	05037.1000	-	1	Tank Heater 3500W, 240V (Includes item 11) Single, ICBA CE CN	

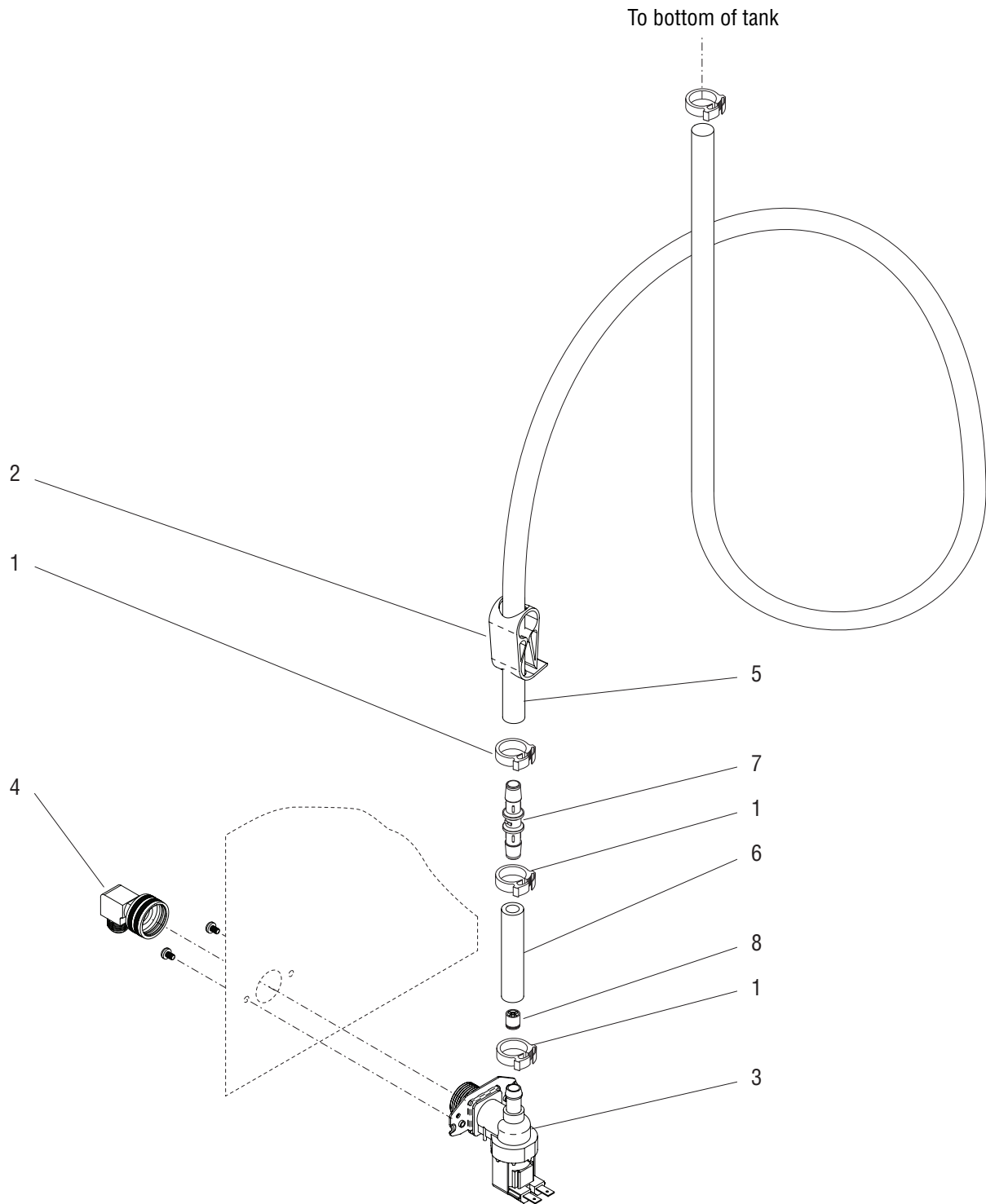
The following items are not illustrated

14	22918.0002	-	2	Thermal Fuse (CE Only)
----	------------	---	---	------------------------



TANK FILL/DRAIN

ICB Series



P4393.70

TANK FILL/DRAIN

ITEM	PART NO.	QTY. TWIN	QTY. SINGLE	DESCRIPTION
1	12422.0001	4	4	Clamp, Hose-Snap SNP # 10
2	11630.0002	1	1	Clamp Shut Off, Tube
3	36233.0000	1	1	Valve, Water Inlet 120V
	36233.0001	-	1	Valve, Water Inlet 240V
	32283.0000	2	2	Screw, Pan Head M4 x 6MM
	43644.0000	-	-	Kit, Valve Rebuild
	46884.0000	1	1	Strainer, Inlet
4	37297.1001	1	1	Elbow, .375" Flare x .75" FGHT
5		1	1	Tube, Silicone .375" ID x 19.0" (order item 10)
6		1	1	Tube, Silicone .375" ID x 3.0" (order item 10)
7	45313.0000	1	1	Connector, Union
8	36378.0001	1	1	Check Valve
9	46028.0000	1	1	Kit, Check Valve (Includes 6-8)

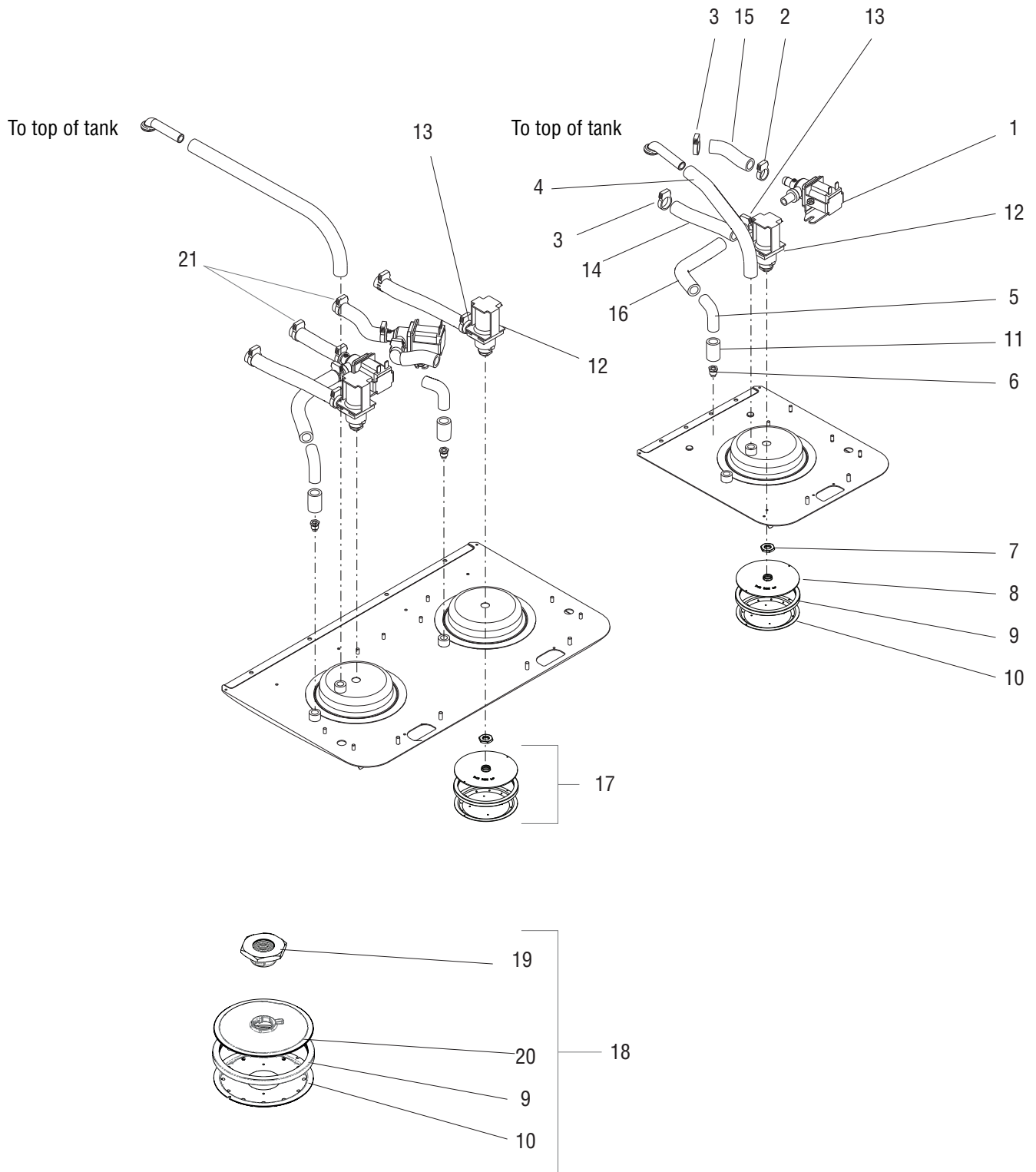
The following items are not illustrated

10	20976.1000	-	-	Tube, Silicone .375" ID x 12.0" (Use as required)
	20976.1001	-	-	Tube, Silicone .375" ID x 36.0" (Use as required)
	20976.1002	-	-	Tube, Silicone .375" ID x 120.0" (Use as required)



DISPENSE/BYPASS VALVES & SPRAYHEAD

ICB Series



P4394.40

DISPENSE/BYPASS VALVES & SPRAYHEAD

ITEM	PART NO.	QTY.		DESCRIPTION
		TWIN	SINGLE	
1	27370.0008	2	1	Valve, Bypass 120V
	27370.0005	-	1	Valve, Bypass 240V
	11517.0008	-	-	Repair Kit (Includes plunger, spring & diaphragm)
	23255.0000	-	-	Diaphragm Only
	22305.0001	2	1	Coil 120VAC
	22305.0002	2	1	Coil 240VAC
	23254.0000	8	4	Screw
	23256.0000	2	1	Spacer Plate
	00970.0000	4	2	Nut, KEPS #8-32
2	12422.0005	5	2	Clamp, Hose .62"/.71" I.D.
3	12422.0009	6	3	Clamp, Hose-Snap SNP #14
4		-	1	Tube .50" ID x 8.75" (Vent)
		1	-	Tube .50" ID x 13.0" (Vent)
5	45928.0000	2	1	Elbow
6	34801.0001	2	1	Fitting, By-Pass Restrictor
7	01075.0000	2	1	Nut, Hex .438"-20
8	52112.0003	2	1	Back, Sprayhead
9	34868.0000	2	1	Seal
10	43920.0005	2	1	Sprayhead 17 hole
11		2	1	Tube .50" ID x 1.10" (Order item 18)
12		2	1	Valve Assembly, Sprayhead 120V (Discontinued, use 56771.0000)
		2	1	Valve Assembly, Sprayhead 240V (Discontinued, use 56771.0002)
	11517.0008	-	-	Repair Kit (Includes plunger, spring & diaphragm)
	23255.0000	-	-	Diaphragm Only
	23254.0000	8	4	Screw
	23256.0000	2	1	Spacer Plate
	56771.0000	2	1	Valve Assembly, Sprayhead 120V
	56771.0002	2	1	Valve Assembly, Sprayhead 240V
	56815.0000	-	-	Repair Kit (Includes plunger, spring & diaphragm)
	56816.0000	-	-	Diaphragm Only
	22305.0001	2	1	Coil 120VAC (used in both styles)
	22305.0002	2	1	Coil 240VAC (used in both styles)
13	34956.0003	2	-	Fitting, .25 NPTF .550D/.281ID
	34956.0004	-	1	Fitting, .25 NPTF .550D/.255ID
14		-	1	Tube .50" ID x 4.875" (Brew)
		2	-	Tube .50" ID x 6.75" (Brew)
15		1	-	Tube .50" ID x 3.6" (Tank to Bypass) (Left)
		1	-	Tube .50" ID x 4.0" (Tank to Bypass) (Right)
		-	1	Tube .50" ID x 2.75" (Tank to Bypass)
16		1	-	Tube .50" ID x 7.5" (Bypass to Elbow) Left
		1	-	Tube .50" ID x 2.0" (Bypass to Elbow) Right
		-	1	Tube .50" ID x 7.0" (Bypass to Elbow)
17	40670.1222	2	1	Sprayhead Assembly, 17 Hole
18	40670.1025	2	1	Sprayhead Assembly, 17 Hole, Twist Lock
19	56914.0000	2	1	Adapter, Infusion Sprayhead
20	56941.0000	2	1	Sprayhead, Back Flat Plastic Twist
21	12422.0005	2	-	Clamp, Hose .62"/.71" I.D.
The following items are not illustrated				
22	32591.1001	-	-	Tube .50" ID x 1 Foot (Use as required)
	32591.1002	-	-	Tube .50" ID x 3 Feet (Use as required)
	32591.1003	-	-	Tube .50" ID x 10 Feet (Use as required)
	32591.1004	-	-	Tube .50" ID x 250 Feet (Use as required)

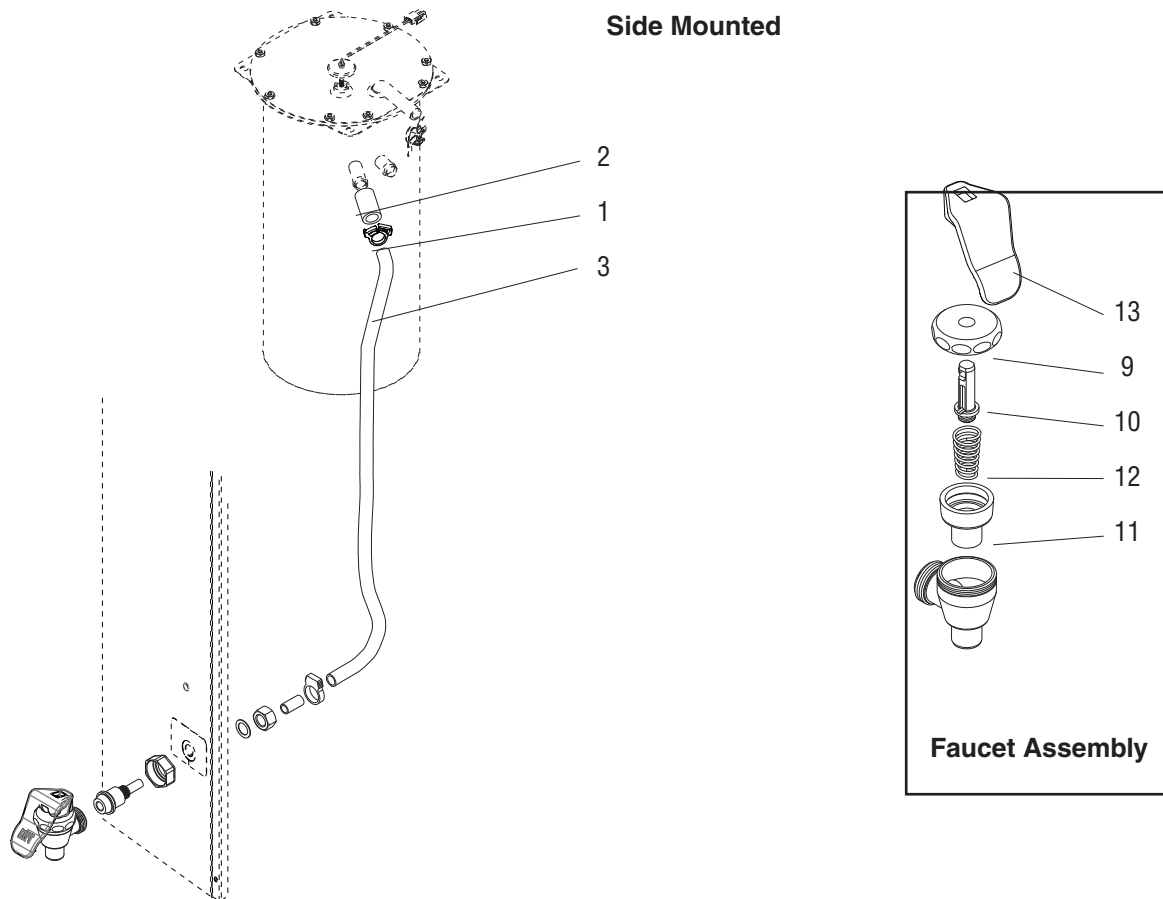
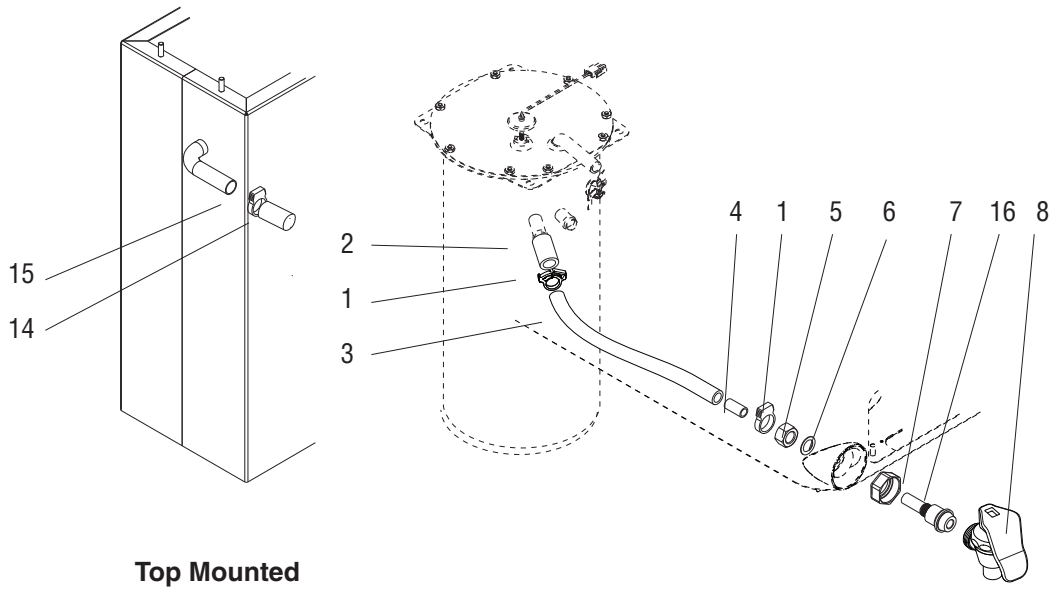
Order Item 22

Order Item 22



FAUCET - EARLY

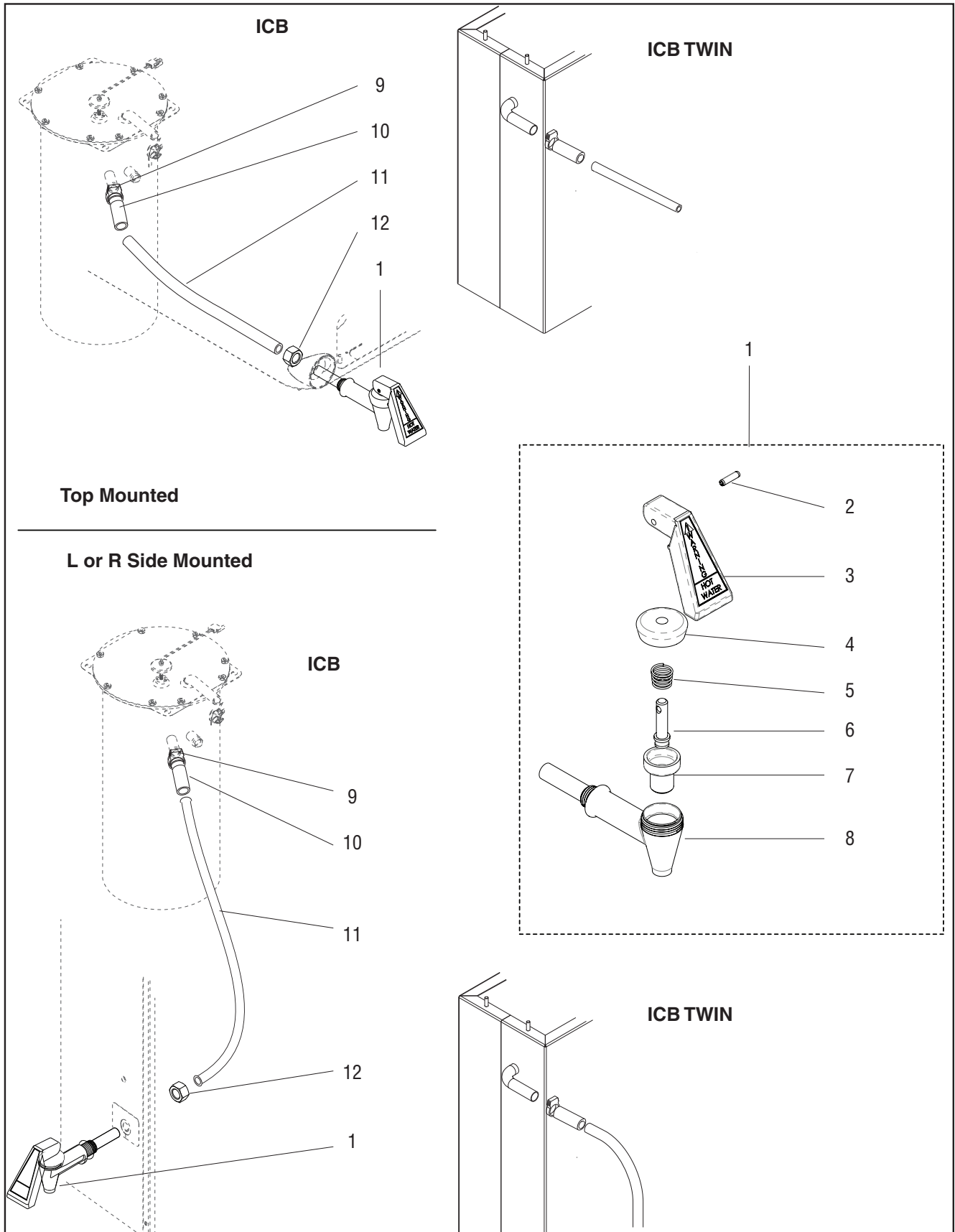
ICB Series



P4422.75

FAUCET - EARLY

ITEM	PART NO.	QTY. TWIN	QTY. SINGLE	DESCRIPTION
1	12422.0009	2	2	Clamp
2		1	1	Tube, Silicone .50 ID x 1.8" (Order item 17)
3		1	1	Tube, Silicone .26 ID x 31.0" (Order item 18)
4		1	1	Tube, Silicone .375 ID x 1.2" (Order item 19)
5	29264.0000	1	1	Nut
6	01544.0000	1	1	Washer
7	01268.0000	1	1	Nut
8	03260.1026	1	1	Faucet Assy (Includes items 9 - 13)
9	29165.0002	1	1	Bonnet
10	29164.0000	1	1	Stem
11	00600.0000	1	1	Seat Cup
12	00601.0000	1	1	Spring
13	45946.0001	1	1	Handle, Red
14	29279.0000	1	1	Cap, Tube-Silicone
15	12422.0005	1	1	Clamp, Hose-Snap Type .62"-.71" ID
16	46390.0001	1	1	Shank, Faucet
17	32591.1001	-	-	Tube .50" ID x 12.0" (Use as required)
	32591.1002	-	-	Tube .50" ID x 36.0" (Use as required)
	32591.1003	-	-	Tube .50" ID x 120.0" (Use as required)
18	11707.1001	-	-	Tube, Silicone .25" ID x 3 Feet (Use as required)
	11707.1002	-	-	Tube, Silicone .25" ID x 10 Feet (Use as required)
	11707.1004	-	-	Tube, Silicone .25" ID x 250 Feet (Use as required)
19	41193.1000	-	-	Tube, Silicone .375 ID x 120.0" (Use as required)
	41193.1001	-	-	Tube, Silicone .375 ID x 36.0" (Use as required)
	41193.1002	-	-	Tube, Silicone .375 ID x 12.0" (Use as required)



FAUCET - LATER

ITEM	PART NO.	QTY. TWIN	QTY. SINGLE	DESCRIPTION
1	29075.0000	1	1	Faucet Assy, Gravity w/Hose Fitting (Includes items 2 - 8)
2	02858.0000	1	1	Pin, Spring-Coiled .125 Dia x .50 Lg
3	02861.0103	1	1	Handle, Faucet Red Wrn Hot AM
4	02854.0000	1	1	Faucet, Bonnet, Brass Crm Pld
5	02595.0000	1	1	Faucet, spring Compression
6	13054.0000	1	1	Faucet Stem, Brass Nkl Plated
7	02766.0000	1	1	Faucet, Seat Cup, Silicone
8	02856.0005	1	1	Faucet Body, Crm (Order item 1)
9	12422.0005	1	1	Clamp, Hose-Snap Type .62/.71ID
10		1	1	Tube, Silicone .375 Id x 1.5 lg (Order item 13)
11		1	1	Tube, Silicone .25" x 31.0" (Order item 14)
12	29264.0000	1	1	Nut, Hex SST .50-20UNF

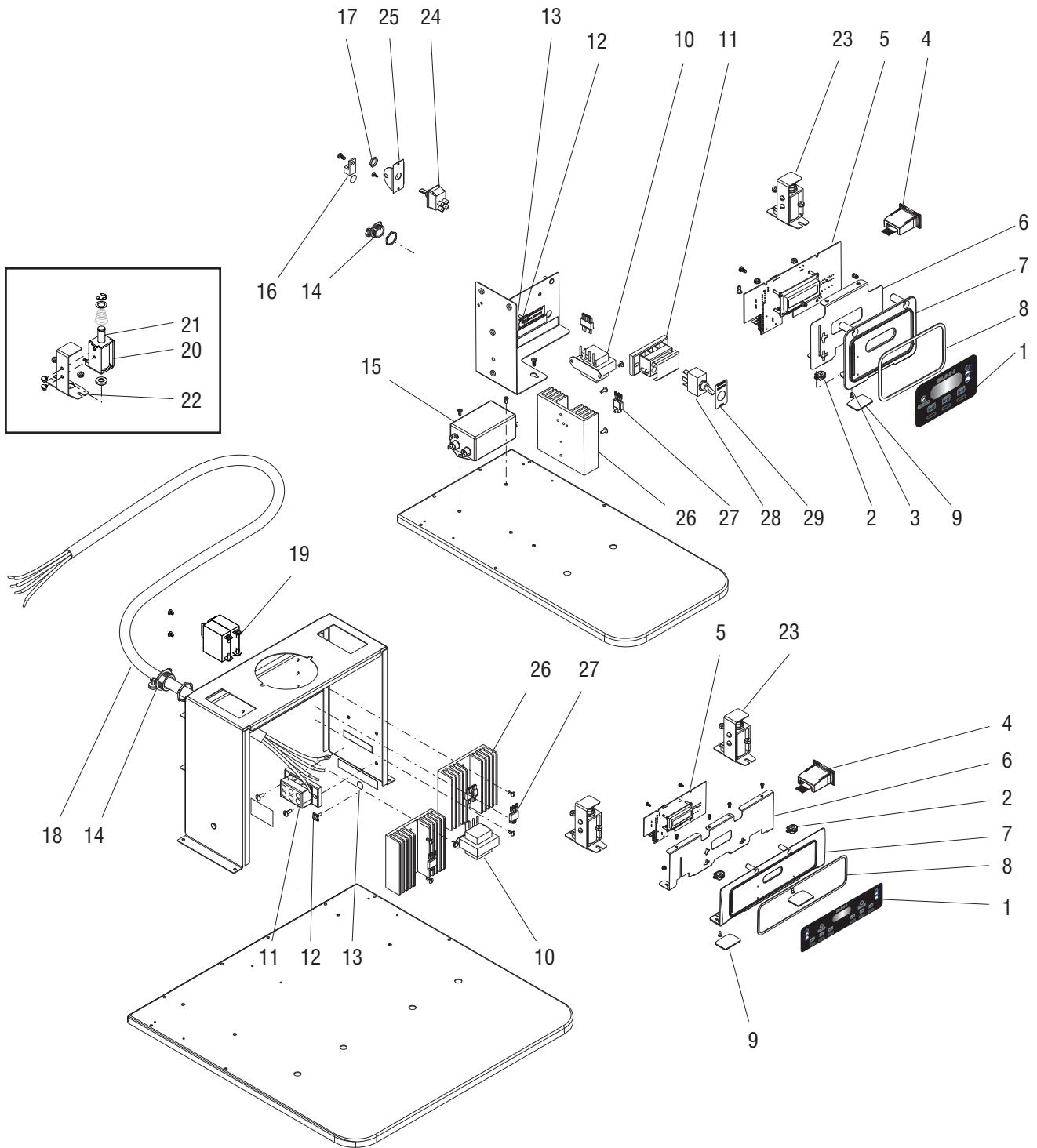
The following items are not illustrated

13	20976.1000	-	-	Tube, Silicone .375 ID x 12.0" Lg (Use as required)
	20976.1001	-	-	Tube, Silicone .375 ID x 36.0" Lg (Use as required)
	20976.1002	-	-	Tube, Silicone .375 ID x 120.0" Lg (Use as required)
14	11707.1000	-	-	Tube, Silicone .25 ID x 12.0" Lg (Use as required)
	11707.1001	-	-	Tube, Silicone .25 ID x 36.0" Lg (Use as required)
	11707.1002	-	-	Tube, Silicone .25 ID x 120.0" Lg (Use as required)
15	42655.0007	-	-	Kit, Faucet Install-ICB/ITB/ITCB& HV
16	02766.1001	-	-	Kit, Seat Cup 5/Kit (Pack of 5 Seat Cups)



ELECTRICAL AND OPERATING CONTROLS

ICB Series



ELECTRICAL AND OPERATING CONTROLS

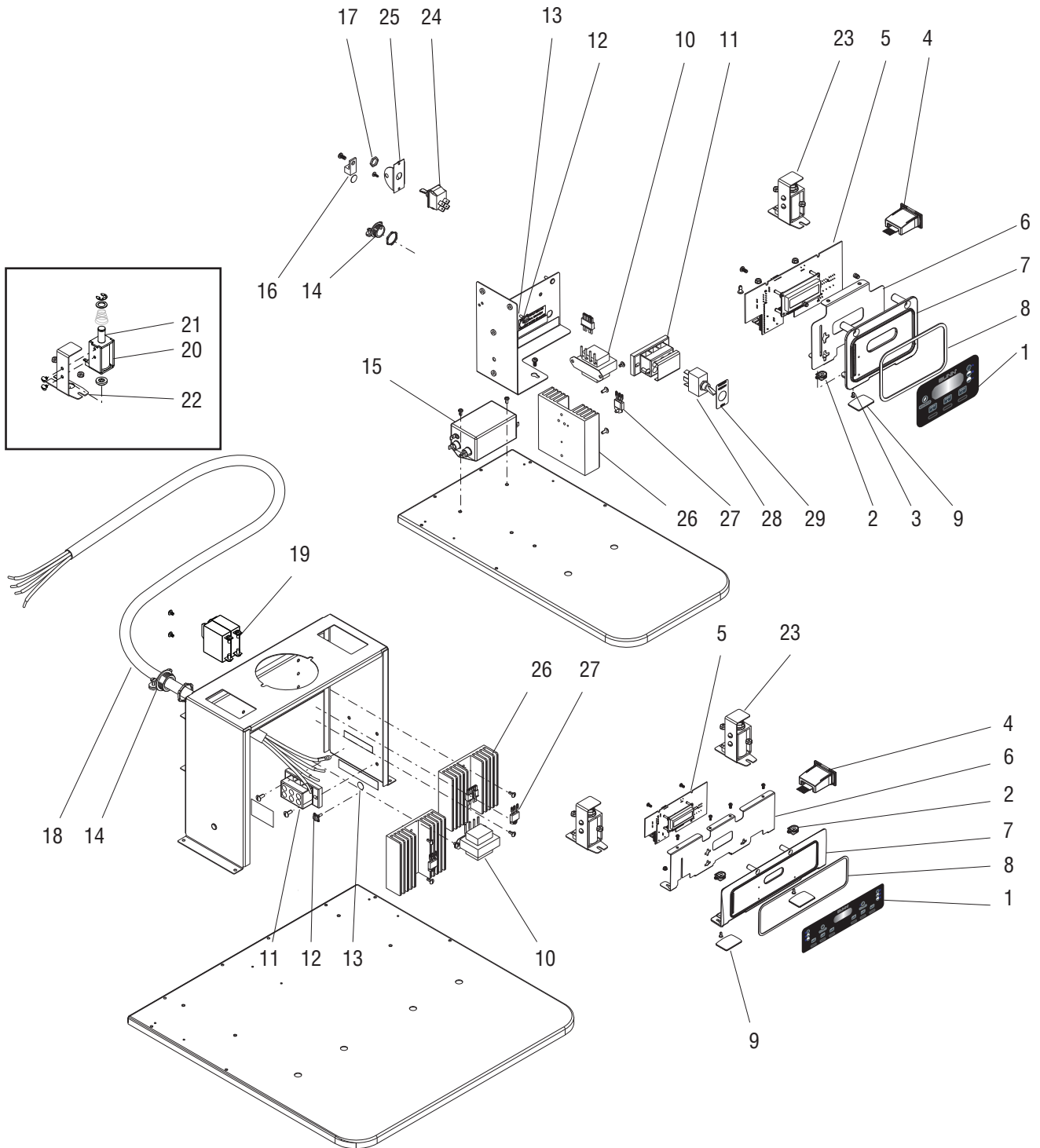
ITEM	PART NO.	QTY.	QTY.	DESCRIPTION
		TWIN	SINGLE	
1	52904.0000	-	1	Membrane Switch
	52941.0002	1	-	Membrane Switch
2	32572.1000	2	1	Sensing Coil
3	35956.0000	2	1	Fastener
4	48455.0001	1	1	USB Receptacle
	48455.0002	1	1	USB Receptacle cover
5	52887.1000	1	1	Control Board 120V
	53833.1000	-	1	Control Board 230V
	53833.0002	1	1	Control Board 200V
	53833.1001	-	1	Control Board 220V (INMETRO)
	02308.0000	2	2	Screw, Pan Head #8-32 x .38"
6	51337.0002	-	1	Bracket
	51337.0003	1	-	Bracket
	00971.0000	2	2	Nut, Keps #10-32
	02308.0000	2	2	Screw, Pan Head #8-32 x .38"
7	52864.0000	-	1	Bezel
	52938.0000	1	-	Bezel
8	53344.0001	-	1	Seal
	53344.0000	1	-	Seal
9	52947.0001	2	1	Seal
10	34307.1001	1	1	Transformer 120V
	34307.1002	-	1	Transformer 230V
	34307.0003	1	1	Transformer 200V
	01308.0002	2	2	Screw SST #6-32 x .25"
11	07038.0000	1	1	Terminal Block 120V
	01106.0003	-	1	Terminal Block 230V
	01106.0001	-	1	Terminal Block 200V
	01317.0000	2	2	Screw, Truss Head #8-32 x .50"
	10608.0000	1	1	Decal, Terminal Bloc-2W XXAMP 240V
12	37804.0000	1	1	Screw, Grounding #8-32 x .50"
13	00824.0002	1	1	Decal, Ground
	00985.0000	1	1	Decal, Individual Branch Circuit 20A
	12394.0002	1	1	Decal, Supply Connection 12AWG
	00870.0000	1	1	Decal, Use Copper Wire Only
14	01590.0000	1	-	Cord Connector 120V
	01685.0000	-	1	Cord Connector 120V
	05746.0000	-	1	Cord Connector 230V
	01531.0000	-	1	Washer
15	50159.0000	-	1	EMI Filter (230V CE models only)
	02308.0000	-	2	Screw, Pan Head #8-32 x .38"
16	27705.0000	-	1	Terminal Lug (230V CE models only)
	02308.0000	-	1	Screw, Pan Head #8-32 x .38"

Continued on next page



ELECTRICAL AND OPERATING CONTROLS

ICB Series



P4423.35

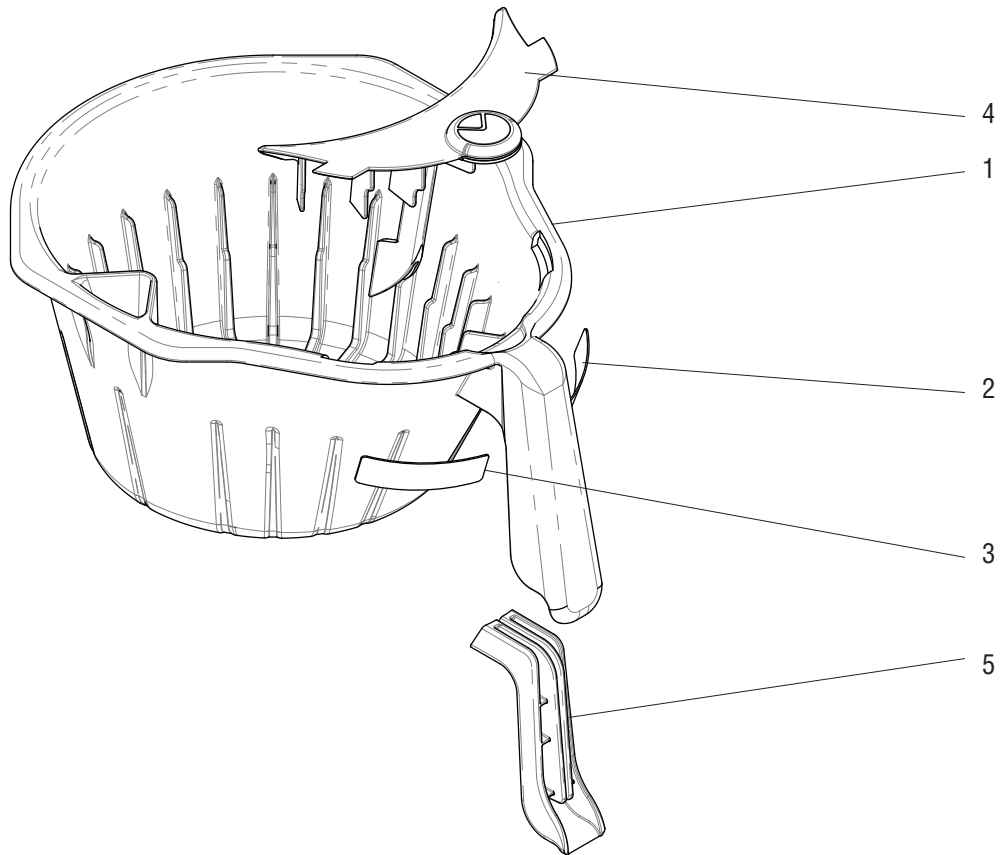
ELECTRICAL AND OPERATING CONTROLS

ITEM	PART NO.	QTY.	QTY.	DESCRIPTION
		TWIN	SINGLE	
17	00824.0001	-	1	Decal, Equipotentiality (CE Only)
18	32657.0001	1	-	10/4 Power Cord, 120/240V (No Plug)
	20630.0005	-	1	16/3 Power Cord, 120V
	27728.0004	-	1	Power Cord (No Plug), 230V CE
	42749.0035	-	1	Power Cord 220-240V (INMETRO)
19	38894.0001	1	-	Switch, Rocker - Main On/Off
	01308.0002	2	-	Screw, Truss Head #6-32 x .25"
20	35955.0000	2	1	Coil, Solenoid 120V
	35955.0001	-	1	Coil, Solenoid 200V
	35952.0008	2	1	Solenoid Assembly, Funnel 200V W2 Slot BRKT
	33613.0000	4	2	Screw, Truss Head #8-32 x .25"
	01519.0000	4	2	Lock Washer, Split #8
21	35953.0000	2	1	Guide, Pin
22	38280.0001	1	1	Bracket
23	35952.1006	2	1	Solenoid Assembly 120V (Includes 20-22)
	35952.1007	-	1	Solenoid Assembly 230V (Includes 20-22)
	00970.0000	4	2	Nut, Keps #8-32
24	40763.0002	-	1	Switch, Toggle 120V
	28004.0000	-	1	Switch, Toggle 230V
	23696.0000	-	1	Facenut
	55439.0000	-	1	Switch, Toggle 250V 20A DPST (CE Models)
25	25102.0001	-	1	Bracket, Switch "I/O"
	28098.0000	-	1	Fastener, Snap
26	20541.0001	2	1	Heatsink
	01382.0007	4	2	Screw, 6-32 x .375
27	12565.0034	2	1	Triac 120V
	12565.0046	2	-	Triac 120V Twin Tall
	12565.0039	-	1	Triac 230V
	02328.0003	2	1	Screw, 6-32 x .312"
	01520.0000	2	1	Lock Washer
	M2522.1000	-	-	Heat Sink Compound, 5oz Tube
28	23522.1001	-	1	Switch, Toggle Dual Voltage
29	34056.0001	-	1	Decal, Dual Voltage
The following items are not illustrated				
30	36677.0031	-	1	Wiring Harness, Main 120V
	36677.0033	-	1	Wiring Harness, Main 120V, Tall
	36677.0032	-	1	Wiring Harness, Main 230V
	38040.0015	1	-	Wiring Harness, Main 120V
31	37494.0006	-	1	Wiring Harness, Liquid Level
	37494.0007	1	-	Wiring Harness, Liquid Level
32	36675.0000	1	1	Wiring Harness, Sensing Coil (Left & Single)
	36675.0001	1	-	Wiring Harness, Sensing Coil (Right Side Only)
33	34707.0009	-	1	Wiring Harness, EMI Filter (230V CE models only)
34	40081.0002	-	1	Wiring Harness, Toggle Switch to Term Blk
35	47438.0000	1	-	Lead Assembly, Main Switch to Triacs)
36	22918.0002	-	2	Thermal Fuse (230V CE models only)
37	44022.0000	1	1	Wiring Harness, x-former to CBA



FUNNELS

ICB Series



FUNNELS

ITEM	PART NO.	QTY. TWIN	QTY. SINGLE	DESCRIPTION
-	53463.0038	2	1	Funnel Assy, Plastic (Includes Items 1 thru 5)
	53463.0014	-	1	Funnel Assy, Plastic (Includes Items 1 thru 5) (INMETRO)
1		2	1	Funnel Body
2	03408.0008	2	1	Decal, Caution-Remove Funnel
	03408.7958	-	1	Decal, Caution-Remove Funnel (INMETRO)
3	03409.0006	2	1	Decal, Caution-Hot Liquid
	03409.7956	-	1	Decal, Caution-Hot Liquid (INMETRO)
4		2	1	Splash Guard
5	53544.0000	2	1	Insert, Funnel Handle