



SELF SERVE

PORTION CONTROL

ILLUSTRATED PARTS CATALOG

Designs, materials, weights, specifications, and dimensions for equipment or replacement parts are subject to change without notice.

BUNN-O-MATIC CORPORATION

POST OFFICE BOX 3227

SPRINGFIELD, ILLINOIS 62708-3227

PHONE: (217) 529-6601 FAX: (217) 529-6644

www.bunn.com

To ensure you have the latest revision of the Operating Manual, Illustrated Parts Catalog, Programming Manual, or Service Manual, please visit the Bunn-O-Matic website, at www.bunn.com. This is absolutely FREE, and the quickest way to obtain the latest catalog and manual updates. For Technical Service, contact Bunn-O-Matic Corporation at 1-800-286-6070.

BUNN-O-MATIC COMMERCIAL PRODUCT WARRANTY

Warranty statements and information can be found on our website. Please visit <https://commercial.bunn.com/support/warranty-lookup> for further details.

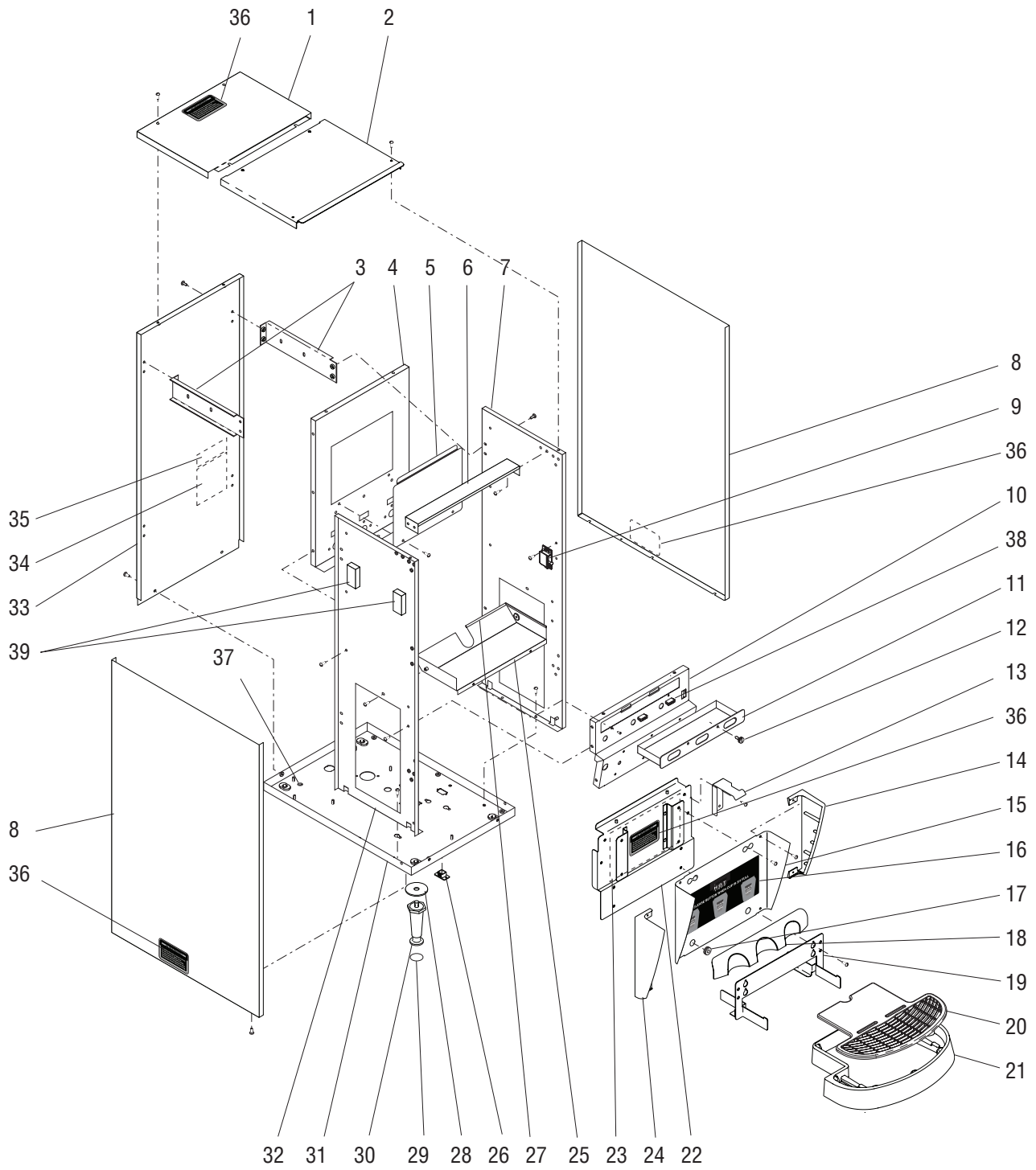
TABLE OF CONTENTS

TITLE	PAGE NO.
Covers, Panels and Drip Tray	4
Door w/Fluorescent Lamp, Lamp, Dispense Switches and Panels	8
Door w/LEDs, Lamp, Dispense Switches and Panels	12
Auger Drive and Hopper Assembly	16
Mixing/Whipper Chambers and Drive Motor	18
Tank, Heater and Overflow Protection	20
Dispense Valves and Lines.....	24
Electrical Controls	26
Numerical Index.....	30



COVERS, PANELS AND DRIP TRAY

IMIX®-3



COVERS, PANELS AND DRIP TRAY

ITEM	PART NO.	QTY.	DESCRIPTION
1	36958.1001	1	Cover, Top Rear - BLK
	36958.1002	1	Cover, Top Rear - SST
	01311.0003	2	Screw, Truss Head BLK #8-32 x .25"
	01311.0000	2	Screw, Truss Head SST #8-32 x .25"
2	36959.0001	1	Cover, Top Front - BLK
	36959.0002	1	Cover, Top Front - SST
	01311.0003	2	Screw, Truss Head BLK #8-32 x .25"
	01311.0000	2	Screw, Truss Head SST #8-32 x .25"
	01382.0002	2	Screw, Truss Head BLK #6-32 x .375"
	01308.0000	2	Screw, Truss Head SST #6-32 x .375"
3	35926.0000	4	Bracket, Side Support
	01311.0001	8	Screw, Truss Head - Locking #8-32 x .25"
4	36967.0002	1	Panel, Inner Rear
	01311.0001	6	Screw, Truss Head - Locking #8-32 x .25"
5	36968.0001	1	Panel, Inner Access
	01311.0000	2	Screw, Truss Head #8-32 x .25"
6	36986.0000	1	Strap, Top Support
	01311.0001	4	Screw, Truss Head - Locking #8-32 x .25"
7	36230.0001	1	Panel, Inner Right (Right Hinged Door)
	36230.0002	1	Panel, Inner Right (Left Hinged Door)
	01311.0001	2	Screw, Truss Head - Locking #8-32 x .25"
8	35912.0001	2	Panel, Side - BLK
	35912.0002	2	Panel, Side - SST
	01311.0003	6	Screw, Truss Head BLK #8-32 x .25"
	01311.0000	6	Screw, Truss Head SST #8-32 x .25"
9	34666.0000	1	Catch, Door Latch
	02336.0000	2	Screw, Truss Head #4-40 x .375"
	01509.0001	2	Lock Washer, Int.-tooth #4
10	36965.0000	1	Panel, Whipper Motor (Early Models)
	36965.0003	1	Panel, Whipper Motor (Late Models)
	01311.0001	6	Screw, Truss Head - Locking #8-32 x .25"
11	36978.0000	1	Tray, Powder Box (Early Models)
	36978.0001	1	Tray, Powder Box (Late Models)
12	37988.0000	2	Screw, Captive #10-32 x .50" (Early Models)
	34998.0000	2	E-Ring, Retaining .127" OD
13	36644.0000	1	Bracket, Door Locking
	01311.0001	2	Screw, Truss Head - Locking #8-32 x .25"
14	36743.0001	1	Cap, Splash Panel Right
	44224.0000	2	Screw, PNH PHH #6-20X.38 LG
15	37498.1000	1	Panel W/Decal, Splash (Includes items 14, 16, 17, 18, & 24)(Self Serve Models)
	37498.1001	1	Panel W/Decal, Splash (Includes items 14, 16, 17, 18, & 24)(Portion Control)
16	28328.0011	1	Decal, Caution-Hot Liquid & Cup (Self Serve Models)
	28328.0013	1	Decal, Caution-Hot Liquid & Cup (Portion Control)

(Continued)

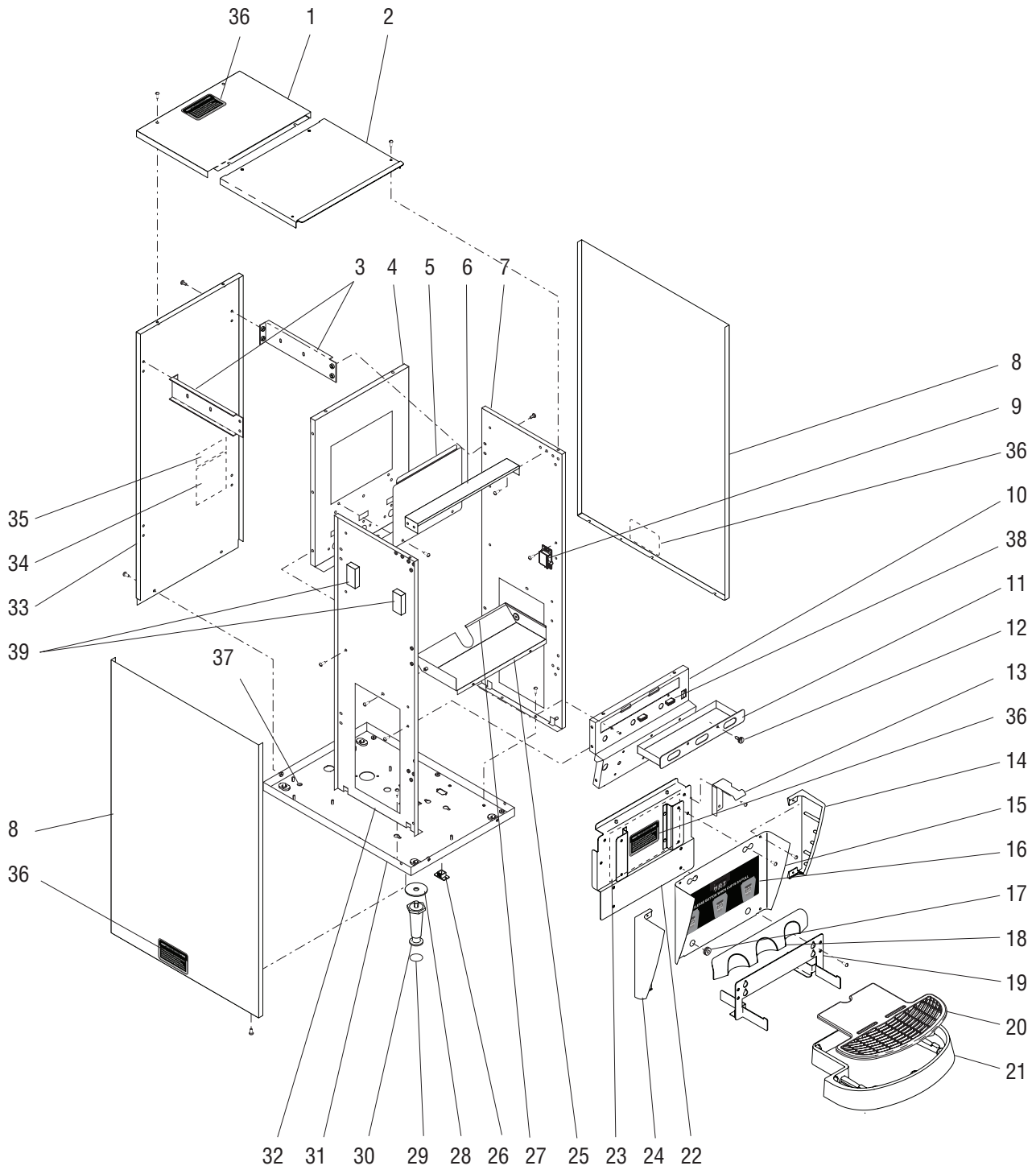
* Indicates the part number listed is for reference only. See DESCRIPTION for possible service replacement.



COVERS, PANELS AND DRIP TRAY

IMIX®-3

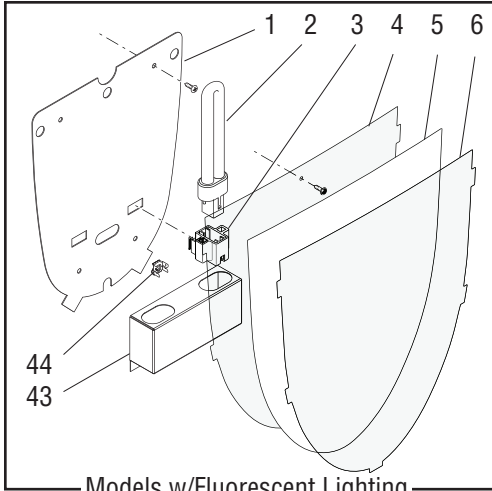
(Continued)



COVERS, PANELS AND DRIP TRAY

ITEM	PART NO.	QTY.	DESCRIPTION
17	02536.0000	2	Grommet, Silicone .375" ID
18	36983.0000	1	Guide, Cup
19	37462.0000	1	Bracket, Drip Tray
	01311.0001	2	Screw, Truss Head - Locking #8-32 x .25"
20	36985.0000	1	Cover, Drip Tray
21	36984.0000	1	Drip Tray
22	36972.1000	1	Panel, Lower Access (Includes item 23)
	01311.0000	3	Screw, Truss Head #8-32 x .25"
23	37478.0000	1	Schematic 120V (Doors with Fluorescent Lighting)
	37478.0010	1	Schematic 120V (Doors with LED Lighting)
	37478.0001	1	Schematic 230V (Doors with Fluorescent Lighting)
	37478.0011	1	Schematic 230V (Doors with LED Lighting)
24	36743.0000	1	Cap, Splash Panel Left
	44224.0000	2	Screw, PNH PHH #6-20X.38 LG
25	36974.0001	1	Shelf, Powder Box
	01311.0001	2	Screw, Truss Head - Locking #8-32 x .25"
	02336.0000	2	Screw, Truss Head #4-40 x .375"
26	36398.0000	1	Plug, Hole DB-9 (Early Models)
27	02434.0008*	4	Gasket, U-Channel 4.60" (Order item 41)
28	01526.0001	4	Washer, Flat .438" ID x 1.88" OD
29	03996.0000	4	Pad, Rubber 1.25" Dia. (Also see item 40)
30	26528.0000	4	Leg, 4.0" Adjustable (Also see item 40)
31	36963.0000	1	Panel, Bottom
32	36229.0001	1	Panel, Inner Left (Right Hinged Door)
	36229.0002	1	Panel, Inner Left (Left Hinged Door)
	01311.0001	2	Screw, Truss Head - Locking #8-32 x .25"
33	36961.1001	1	Panel Assembly, Rear - BLK (Includes items 34 and 35)
	36961.0002	1	Panel Assembly, Rear - SST
	01311.0003	11	Screw, Truss Head BLK #8-32 x .25"
	01311.0000	11	Screw, Truss Head SST #8-32 x .25"
34	00986.0000	1	Decal, Warning-Electrical
35	00656.0001	1	Decal, Comply to Plumbing Code
36	37881.0000	4	Decal, No Serviceable Parts
37	00824.0002	1	Decal, Grounding
38	21436.0000	2	Catch, Magnetic Snap-in (Late Models)
39	36896.0000	4	Pad, Styro 1.0" x 2.0" x 0.5"
40	13255.0003	-	Kit, Leg 4.0" Adjustable (Includes 4 each of items 29 & 30)
41	02434.1000	-	Gasket, U-Channel - 18" LG
	02434.1001	-	Gasket, U-Channel - 36" LG

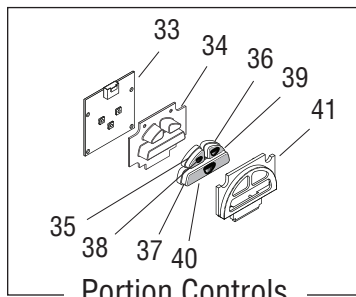
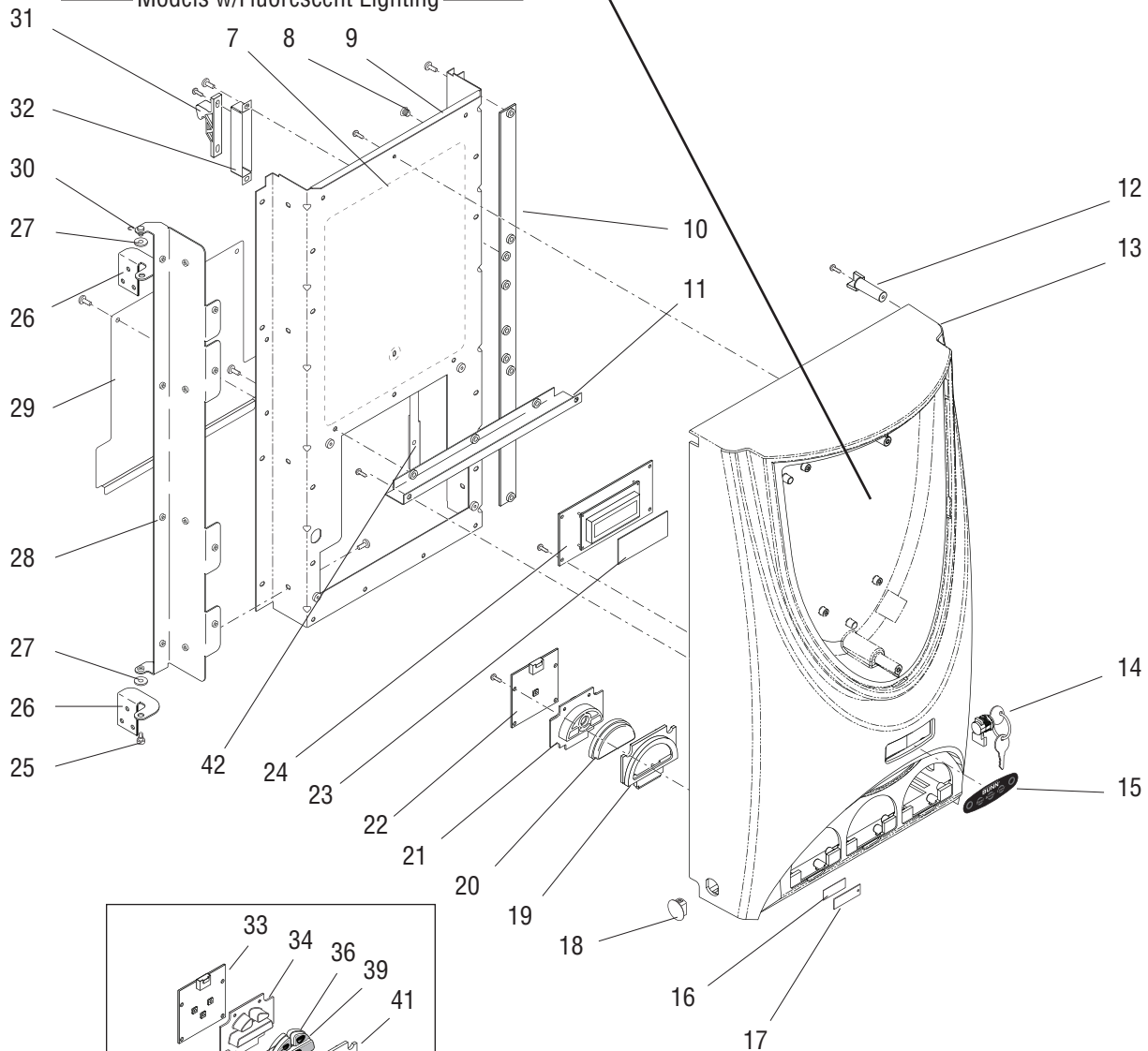
* Indicates the part number listed is for reference only. See DESCRIPTION for possible service replacement.



Models w/Fluorescent Lighting

(EARLY MODELS)

Refer to page 12 for models w/LED Lighting



Portion Controls

DOOR w/Fluorescent LAMP, DISPENSE SWITCHES AND PANELS

ITEM	PART NO.	QTY.	DESCRIPTION	(EARLY MODELS)
1	37466.0003 44224.0000	1 4	Panel, Lamp (Doors with Fluorescent Lights) Screw, PNH PHH #6-20X.38 LG	
2	32806.0000	2	Lamp, Fluorescent - 7 Watts (Doors with Fluorescent Lights)	
3	32807.0001	2	Lamp Holder, Fluorescent (Doors with Fluorescent Lights)	
4	37456.0000 02336.0000	1 2	Lens, Fixed Screw, Truss Head #4-40 x .375"	
5	37457.0000 37457.0006	1 1	Display, Graphics Display, Graphics Iced Coffee	
6	37456.0001	1	Lens, Removable	
7	37254.0003	1	Decal, Cleaning	
8	36149.0000	8	Fastener, Snap-in .197" Hole	
9	36667.1001* 36667.1003* 44224.0000 01311.0001	1 1 8 19	Panel, Door - Upper (Includes item 7)(Right Hinged Door) Panel, Door - Upper (Includes item 7)(Left Hinged Door) Screw, PNH PHH #6-20X.38 LG Screw, Truss Head Locking #8-32 x .25"	
10	36658.0000*	1	Flange, Door	
11	36734.0001 44224.0000	1 2	Bracket, Inner Panel Screw, PNH PHH #6-20X.38 LG	
12	36244.0000 44224.0000	1 1	Plug, Door Hinge Screw, PNH PHH #6-20X.38 LG	
13	37096.0001 37096.0011	1 1	Door (Doors with Fluorescent Lights) Door (Doors with LED Lights)	
14	32863.1000 28095.0000	1 1	Keylock W/Keys, Door Key Set	
15	36231.0000 36231.0001	1 1	Switch, Membrane Program (Self Serve Models) Switch, Membrane Program (Portion Control Models)	
16	36795.0000	3	Strip, Flavor Adhesive	
17	36796.0001	3	Strip, Flavor Door	
18	00669.0004	1	Plug, .75" x .625" hole	
19	36762.0000	3	Switch Housing, Single Button (Self Serve Models)	
20	36761.0000	3	Cover, Switch (Self Serve Models)	
21	36763.0000	3	Switch Pad, Single Button (Self Serve Models)	
22	37672.1000 44224.0000	3 12	Circuit Board Assy, Dispense Button (Self Serve Models) Screw, PNH PHH #6-20X.38 LG	
23	37013.0000	1	Cover, LCD Door Lens	
24	36147.1002 44224.0000	1 4	Circuit Board Assy, Display, blue LCD Screw, PNH PHH #6-20X.38 LG	
25	24457.0002	1	Screw, .25" Shoulder #8-32	
26	36647.0000 36647.0001 01311.0001	2 2 6	Bracket, Hinge (Left Side Hinge) Bracket, Hinge (Right Side Hinge) Screw, Truss Head #8-32 x .25" Locking	
27	34362.0000	2	Bushing, Hinge	

(Continued)

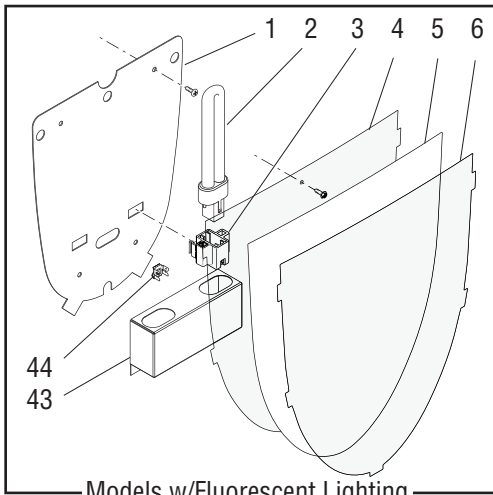
* Indicates the part number listed is for reference only. See DESCRIPTION for possible service replacement.



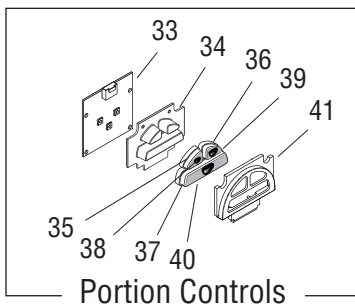
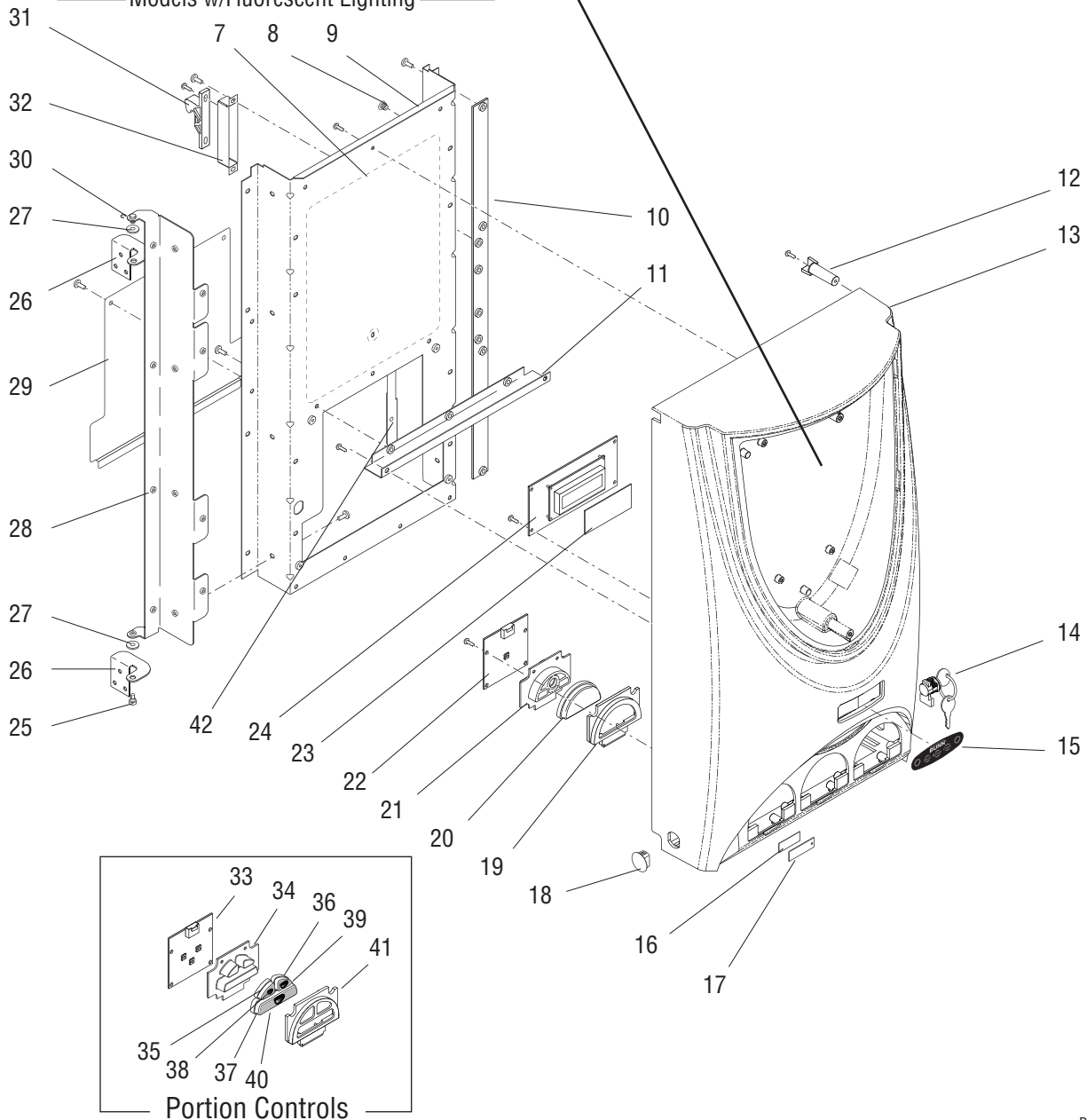
(Continued)

(EARLY MODELS)

Refer to page 12 for models w/LED Lighting



Models w/Fluorescent Lighting



Portion Controls

DOOR w/Fluorescent LAMP, DISPENSE SWITCHES AND PANELS

ITEM	PART NO.	QTY.	DESCRIPTION	(EARLY MODELS)
28	36661.0000*	1	Flange, Door Hinge (Left Hinged Door)	
	36661.0001*	1	Flange, Door Hinge (Right Hinged Door)	
29	36659.0001	1	Panel, Door - Lower (Right Hinged Door)	
	36659.0003	1	Panel, Door - Lower (Left Hinged Door)	
	01311.0000	2	Screw, Truss Head #8-32 x .25"	
	01311.0001	1	Screw, Truss Head #8-32 x .25" Locking	
30	01403.0000	1	E-Ring, External .188" Shaft	
31	34667.0000	1	Keeper, Door Latch	
	01382.0000	2	Screw, Truss Head #6-32 x .38"	
32	36669.0000*	1	Bracket, Keeper Mounting	
	01311.0001	2	Screw, Truss Head #8-32 x .25" Locking	
33	35877.1002	3	Circuit Board Assy, Dispense Button (Portion Control Models)	
	38963.1000	3	Circuit Board Assy, Dispense Button (Portion Control Models)(RoHS Compliant)	
	44224.0000	12	Screw, PNH PHH #6-20X.38 LG	
34	36763.0002	3	Switch Pad, Three Button (Portion Control Models)	
35	36761.0003	3	Switch Cover, Small (Portion Control Models)	
36	36761.0004	3	Switch Cover, Medium (Portion Control Models)	
37	36761.0002	3	Switch Cover, Large (Portion Control Models)	
38	37823.0000*	3	Inlay, Switch Cover, Small (Portion Control Models)	
39	37823.0001*	3	Inlay, Switch Cover, Medium (Portion Control Models)	
40	37823.0002*	3	Inlay, Switch Cover, Large (Portion Control Models)	
41	36762.0002	3	Switch Housing, Three Button (Portion Control Models)	
42	40031.1000*	1	Baffle Kit, Left Hand Hinge	
	40031.1001*	1	Baffle Kit, Right Hand Hinge	
43	40032.0000	1	Bracket (Doors with Fluorescent Lights)	
44	28335.0000	1	Clip, Grounding (Doors with Fluorescent Lights)	

NOTE: The following items are not illustrated

45	39038.0000	1	Plate, Latch Mounting (Left Hinged Door)
	01382.0000	2	Screw, Truss Head #6-32 x .38"
46	26444.0000	2	Bushing, Strain Relief (Doors with Fluorescent Lights)
	47555.0000	2	Bushing, Strain Relief (Doors with LED Lights)
47	36888.0000	1	Wiring Harness, Door (Incl. item 45)(Left Hinge)(Doors with Fluorescent Lights)
	36888.0001	1	Wiring Harness, Door (Incl. item 45)(Right Hinge)(Doors with Fluorescent Lights)
	47311.0001	1	Wiring Harness, Door (Right Hinge)(Doors with LED Lights)
48	36887.0003	1	Wiring Harness, Backlight (Doors with Fluorescent Lights)
49	36889.0000	3	Wiring Harness, Dispense Button
50	38749.0000	1	Decal, Flavors (Almond Amaretto, Cappuccino, French Vanilla, Hazelnut, Chocolate Raspberry, Cappuccino Supreme, Hot Chocolate, Raspberry Mocha, Swiss Mocha, Mocha, Raspberry Vanilla, Irish Creme, Coffee, Original, Chocolate French Vanilla, Butter Pecan, White Chocolate, Cinnamon Vanilla Nut, Decaf, Regular, Apple Cider, Fat Free French Vanilla, Cinnamon Vanilla, English Toffee)
51	38749.0003	1	Decal, Iced Coffee Flavors (Espresso Latte, Mocha Latte, Colombian, Dark Roast, Raspberry Coffee, Hazelnut Coffee, French Vanilla Latte, Caramel Latte, Chai Tea Latte, Horchatta)
51	37823.1000	-	Inlay Kit (Includes items 38 - 40)

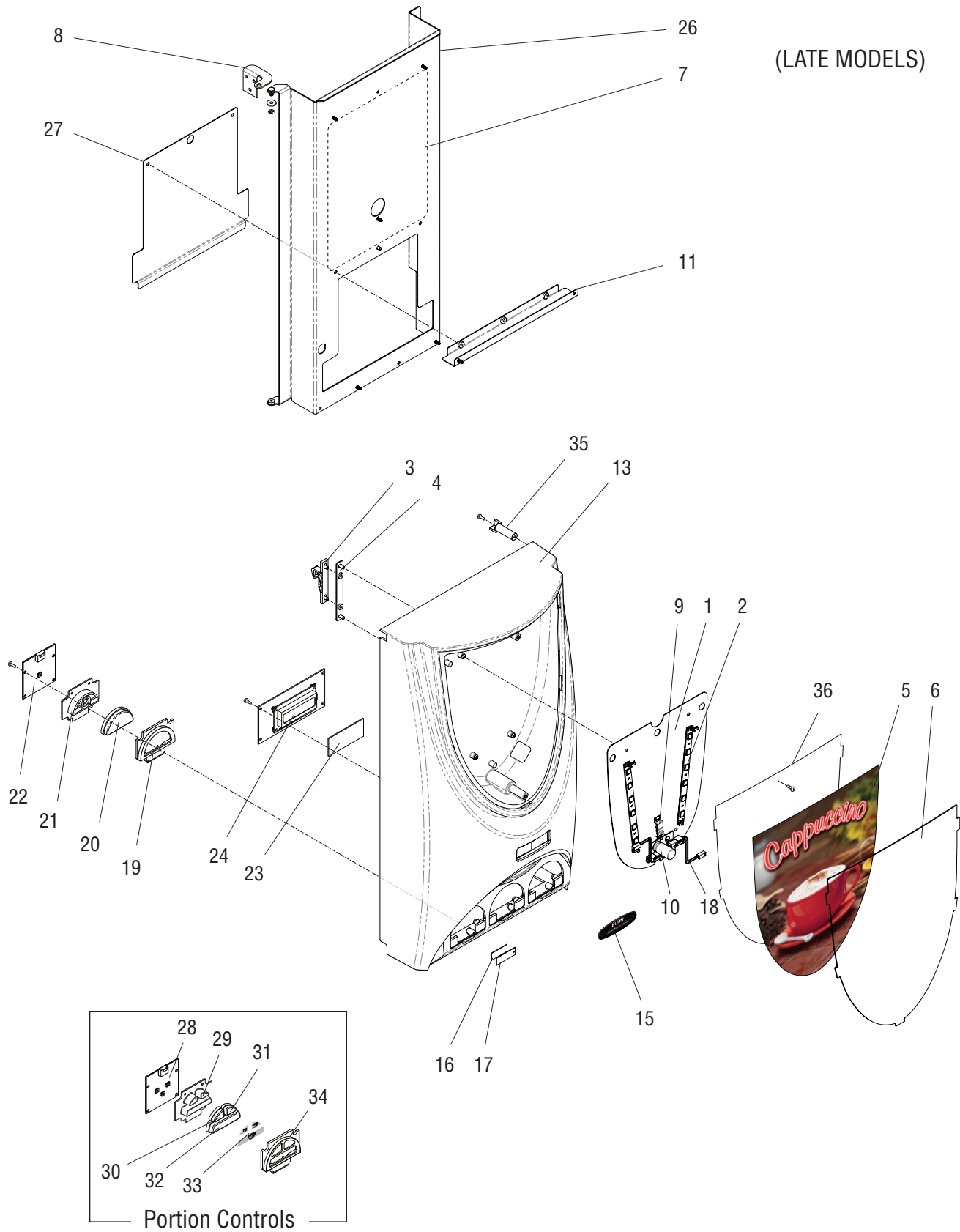
* Indicates the part number listed is for reference only. See DESCRIPTION for possible service replacement.



DOOR w/LEDs, DISPENSE SWITCHES AND PANELS

IMIX®-3

(LATE MODELS)



DOOR w/LEDs, DISPENSE SWITCHES AND PANELS

ITEM	PART NO.	QTY.	DESCRIPTION	(LATE MODELS)
1	46278.0001	1	Panel, LED (Doors with LED Lighting)	
	01360.0002	4	Screw, Pan Head #6 - 32 x .375"	
2	42593.0000	2	CBA, 6 LED	
3	34667.0000	1	Keeper, Door Latch	
	01382.0000	2	Screw, Truss Head #6-32 x .38"	
4	39038.0000	1	Plate, Latch Mounting (Left Hinged Door)	
	01382.0000	2	Screw, Truss Head #6-32 x .38"	
5	37457.0000	1	Display, Graphics	
	37457.0006	1	Display, Graphics Iced Coffee	
6	37456.0001	1	Lens, Removable	
7	37254.0003	1	Decal, Cleaning	
8	36647.0000	1	Bracket, Hinge (Left Side Hinge)	
	01311.0001	3	Screw, Truss Head #8-32 x .25" Locking	
	01403.0000	1	E-Ring, External .188" Shaft	
	34362.0000	1	Bushing, Hinge	
9	41244.0000	1	Clip	
	01308.0002	1	Screw, Truss Head 6-32 x .25" Lkg	
10	48005.0001	1	CBA, Backlight Regulator	
	02367.0002	2	Screw, Truss Head 6-32 x .62" Lkg	
	29081.0005	2	Spacer	
11	36734.0001	1	Bracket, Inner Panel	
	44224.0000	2	Screw, PNH PHH #6-20X.38 LG	
12	36244.0000	1	Plug, Door Hinge	
	44224.0000	1	Screw, PNH PHH #6-20X.38 LG	
13	37096.0011	1	Door Side Hinged No Lock(Doors with LED Lights)	
	37096.1015	1	Door, iMIX3 Top Hinged No Lock (Not Illustrated)	
14	32863.1000	1	Keylock W/Keys, Door	
	28095.0000	1	Key Set	
15	36231.0000	1	Switch, Membrane Program (Self Serve Models)	
	36231.0001	1	Switch, Membrane Program (Portion Control Models)	
16	36795.0000	3	Strip, Flavor Adhesive	
17	36796.0001	3	Strip, Flavor Door (Refer to item 39 & 40 for Flavor Labels)	
18	42609.0000	2	Wiring Harness, LED to Backlight Regulator CBA	
19	36762.0000	3	Switch Housing, Single Button (Self Serve Models)	
20	36761.0000	3	Cover, Switch (Self Serve Models)	
21	36763.0000	3	Switch Pad, Single Button (Self Serve Models)	
22	37672.1002	3	Circuit Board Assy, Dispense Button (Self Serve Models)	
	44224.0000	12	Screw, PNH PHH #6-20X.38 LG	

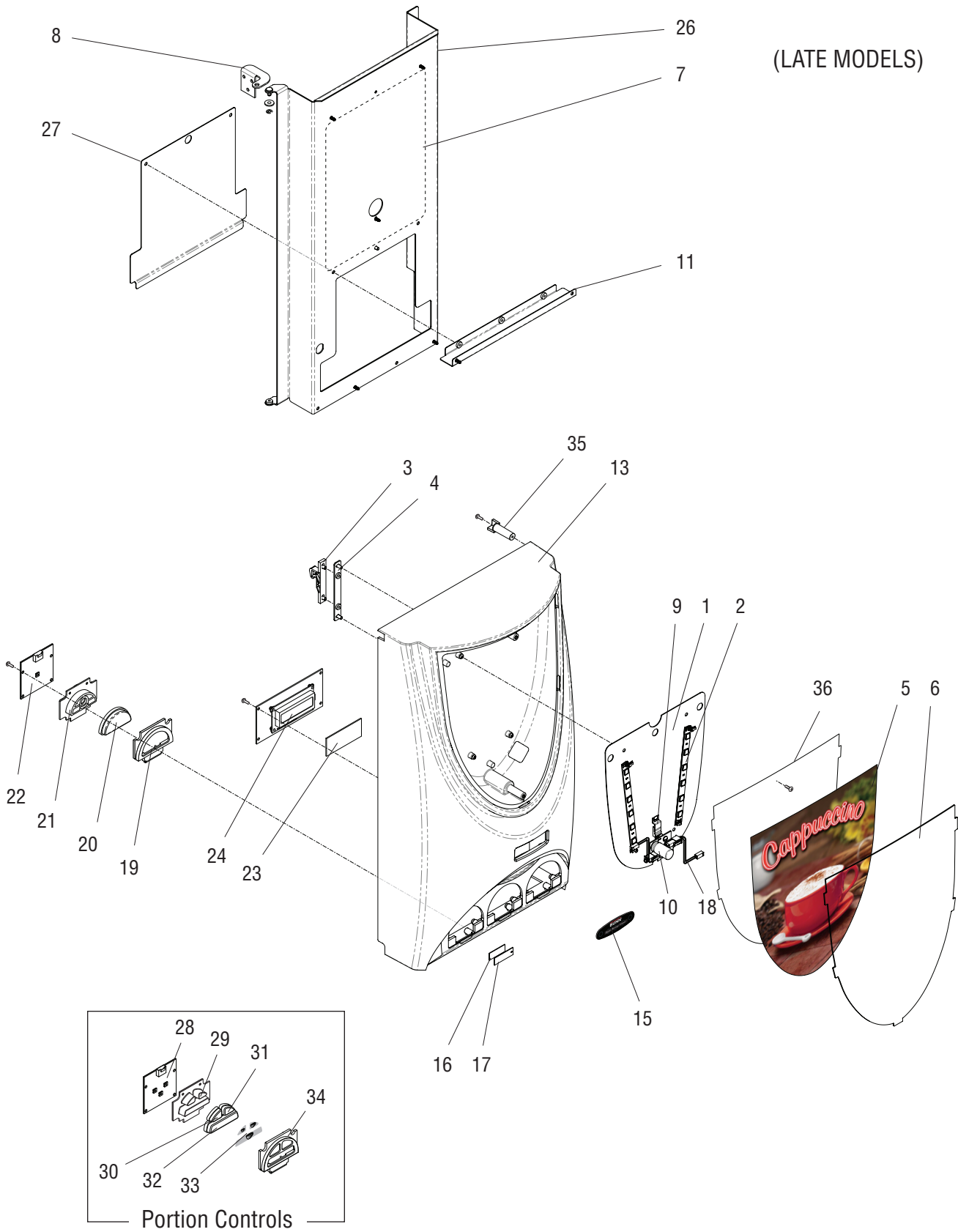
* Indicates the part number listed is for reference only. See DESCRIPTION for possible service replacement.



DOOR w/LEDs, DISPENSE SWITCHES AND PANELS

IMIX®-3

(LATE MODELS)



DOOR w/LEDs, DISPENSE SWITCHES AND PANELS

ITEM	PART NO.	QTY.	DESCRIPTION	(LATE MODELS)
23	37013.0000	1	Cover, LCD Door Lens	
24	36147.1002 44224.0000	1 4	Circuit Board Assy, Display, blue LCD Screw, PNH PHH #6-20X.38 LG	
25	24457.0002	1	Screw, .25" Shoulder #8-32	
26	36667.1003* 44224.0000 01311.0001	1 8 19	Panel, Door - Upper Screw, PNH PHH #6-20X.38 LG Screw, Truss Head Locking #8-32 x .25"	
27	36659.0003 01311.0000 01311.0001	1 2 1	Panel, Door - Lower (Left Hinged Door) Screw, Truss Head #8-32 x .25" Screw, Truss Head #8-32 x .25" Locking	
28	38963.1000 44224.0000	3 12	Circuit Board Assy, Dispense Button (Portion Control Models)(RoHS Compliant) Screw, PNH PHH #6-20X.38 LG	
29	36763.0002	3	Switch Pad, Three Button (Portion Control Models)	
30	36761.0003	3	Switch Cover, Small (Portion Control Models)	
31	36761.0004	3	Switch Cover, Medium (Portion Control Models)	
32	36761.0002	3	Switch Cover, Large (Portion Control Models)	
33	37823.1000	1	Inlay Kit	
34	36762.0002	3	Switch Housing, Three Button (Portion Control Models)	
35	36244.0000 44224.0000	1 1	Plug, Door Hinge Screw, PNH PHH #6-20X.38 LG	
36	37456.0000 02336.0000	1 2	Lens, Fixed Screw, Truss Head #4-40 x .375"	

NOTE: The following items are not illustrated

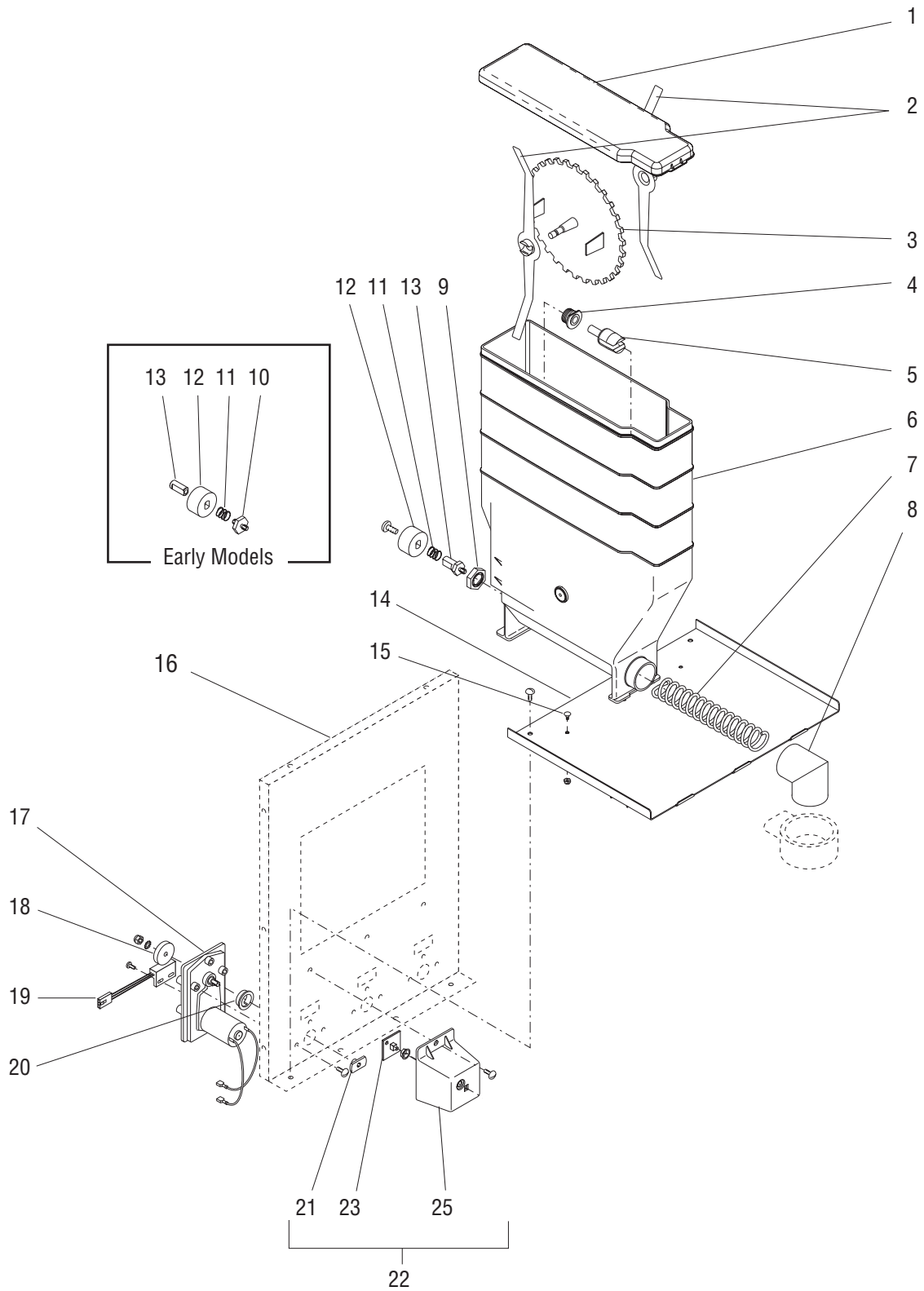
37	47555.0000	2	Bushing, Strain Relief (Doors with LED Lights)
38	36889.0000	3	Wiring Harness, Dispense Sw. to Display CBA (Self Serve Only)
39	38749.0000	1	Decal, Flavors (Almond Amaretto, Cappuccino, French Vanilla, Hazelnut, Chocolate Raspberry, Cappuccino Supreme, Hot Chocolate, Raspberry Mocha, Swiss Mocha, Mocha, Raspberry Vanilla, Irish Creme, Coffee, Original, Chocolate French Vanilla, Butter Pecan, White Chocolate, Cinnamon Vanilla Nut, Decaf, Regular, Apple Cider, Fat Free French Vanilla, Cinnamon Vanilla, English Toffee)
40	38749.0001	1	Strawberry Steamer, Vanilla Steamer, Caramel Steamer, Hot Chocolate, Chai, Chai Latte, Vanilla Chai, Dulce De Leche, Pumpkin Spice, White Chocolate Caramel, Eggnog, Cinnamon Roll, Sugar Cookie, Mocha Alert, Chocolate Mint, Vanilla Cream, Banana Nut, Almond Mocha, White Chocolate Truffle, Cappuccino, French Vanilla, Fat Free French Vanilla, English Toffee, Hazelnut, Almond Amaretto, Irish Creme
41	38749.0003	1	Decal, Iced Coffee Flavors (Espresso Latte, Mocha Latte, Colombian, Dark Roast, Raspberry Coffee, Hazelnut Coffee, French Vanilla Latte, Caramel Latte, Chai Tea Latte, Horchatta)

* Indicates the part number listed is for reference only. See DESCRIPTION for possible service replacement.



AUGER DRIVE AND HOPPER ASSEMBLY

IMIX®-3



AUGER DRIVE AND HOPPER ASSEMBLY

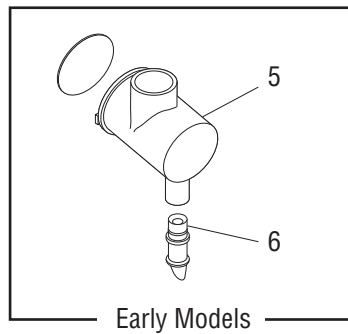
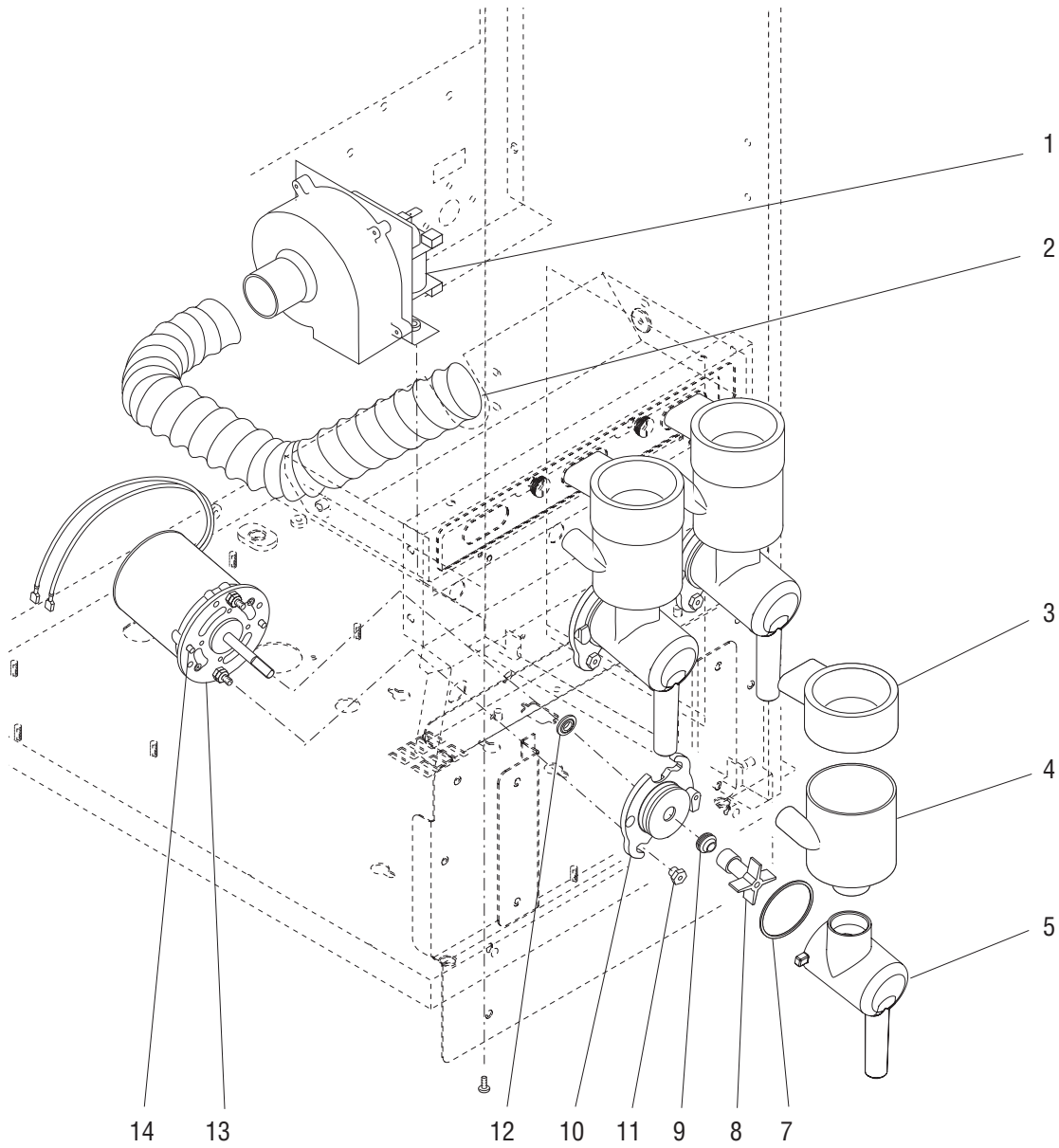
ITEM	PART NO.	QTY.	DESCRIPTION
-	37010.1001	1	Hopper Assy (Includes one each of items 1-13)
1	36653.0001	3	Lid, Hopper
2	32337.0000	6	Mixing Blade
3	32386.0001	3	Disk, Agitator (30 Tooth)
4	28067.0000	3	Bushing, Auger Drive Shaft
5	26940.0002	3	Shaft, Auger Drive
6	37011.0001	3	Hopper
7	39442.0000	3	Auger, Wire
8	25903.0000	3	Elbow, Ejector
9	25743.0000	3	Locknut
10	36772.0000*	3	Coupling, Hex (Early models only)
11	36774.0000	3	Spring, Hopper Coupling
12	36770.0000	3	Coupling, Auger Drive
	01326.0002	3	Screw, Truss Head #10-32 x .25" (Late models only)
13	36771.0000*	3	Shaft, Auger Drive Coupling (Early models)
	37539.1000	3	Shaft, Auger Drive (Late models)
14	36970.0000	1	Panel, Hopper Support
	01311.0000	2	Screw, Truss Head #8-32 x .25" Locking
15	20960.0000	3	Screw, Shoulder #6-32 x .375"
	00991.0002	3	Nut, Elastic Lock #6-32
16	-----	-	See COVERS, PANELS & DRIP TRAYS
17	37037.0000	3	Gearmotor Assy, Auger (Each includes items 18 thru 21)
	01311.0000	9	Screw, Truss Head #8-32 x .25"
18	32654.0000	1	Magnet Hub, 8 Pole #10 ID x 1.0" OD
	01512.0000	1	Lock Washer, Ext Tooth #10
	00991.0003	1	Nut, Elastic Lock #10-32
19	33608.1000	1	Sensor Assy, RPM
	02336.0000	2	Screw, Truss Head #4-40 x .38"
20	26401.0000	1	Dust Seal, Hopper Motor
21	36773.0000	1	Plate, Auger Drive
22	37682.0000	3	Housing Assy, Sensor CB (Each includes items 23 thru 25)
	01315.0000	3	Screw, Truss Head #8-32 x .38"
23		1	CB Assy, Powder Sensor (Order item 22)
24		2	Push Nut, 3.5mm Shaft Black
25	36243.0001	1	Housing Sensor CB
26		3	Cable Mount, Adhesive (Not Illustrated)

* Indicates the part number listed is for reference only. See DESCRIPTION for possible service replacement.



MIXING/WHIPPER CHAMBERS AND DRIVE MOTOR

IMIX®-3



MIXING/WHIPPER CHAMBERS AND DRIVE MOTOR

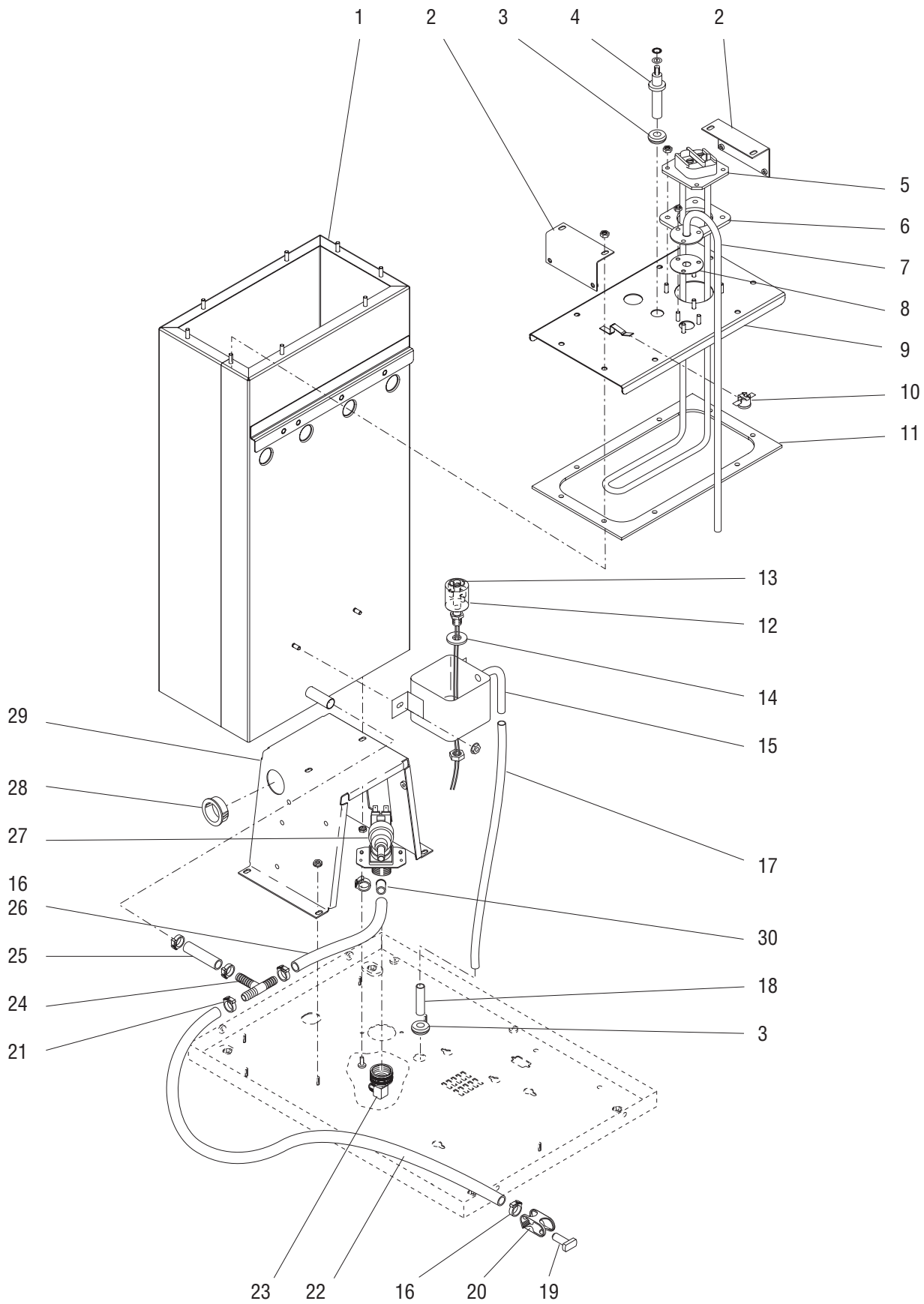
ITEM	PART NO.	QTY.	DESCRIPTION
1	28295.0000	1	Fan & Bracket Assembly 120V
	28295.0001	1	Fan & Bracket Assembly 230V
	01311.0001	2	Screw, Truss Head - Locking #8-32 x .25"
2	28297.0001	1	Hose, Vacuum
3	25732.0000	3	Steam Collector
4	25733.0003	3	Mixing Chamber
5	25734.1000	3	Whipper Chamber (One Piece)
	25734.7002	3	Whipper Chamber (IMIX-3C)
6	25736.0000*	3	Dispense Tip (Early Models. Order item 5)
	25736.0001*	3	Dispense Tip, Red (Early Models. Order item 5)
7	24733.0010	3	O-Ring
8	25902.0000	3	Frother
9	26356.0000	3	Seal, Shaft
	26356.1000	-	Kit, Shaft Seal (Includes 6 Seals)
10	28866.0000	3	Receptacle, Whipper Chamber
11	28865.0000	6	Nut, Whipper Motor/Receptacle Mounting
12	28867.0000	3	Slinger
13	28428.1000	3	Motor, Whipper 120V (Includes item 14)
	28428.1002	3	Motor, Whipper 230V (Includes item 14)
14	32306.0000	6	Spacer
15	32906.0001	-	Kit, Preventive Maintenance (Includes items 3 thru 10 and 25903.0000 Elbow)

* Indicates the part number listed is for reference only. See DESCRIPTION for possible service replacement.



TANK, HEATER AND OVERFLOW PROTECTION

IMIX®-3



P3248.50

TANK, HEATER AND OVERFLOW PROTECTION

ITEM	PART NO.	QTY.	DESCRIPTION
1	-----	1	Tank, Rounded (For first replacement, order Squared Tank, Lid & Gasket)
	37098.0002	1	Tank, Squared (With copper overflow cup)
	37098.1004	1	Tank, Squared (With aluminum overflow cup)
	00970.0000	2	Nut, Keps #8-32
2	36226.0000	2	Bracket, Tank Mounting Upper
	00970.0000	4	Nut, Keps #8-32
3	02536.0000	2	Grommet, .375" I.D.
4	20936.1000	1	Probe Kit (Includes items indented below)
	20203.0100	1	Lock Washer, Internal Tooth #8
	01501.0000	1	Washer, Flat .164" ID x .375" OD
	00908.0000	1	Nut, #8-32
5	36741.1000	1	Tank Heater, 1700W 120V (Includes item 6)
	36741.1001	1	Tank Heater, 1320W 120V (Includes item 6)
	36741.1005	1	Tank Heater Kit, 1200W 120V (Includes item 6)
	36740.1000	1	Tank Heater, 3500W 230V (Includes item 6)
	00908.0000	4	Nut, #8-32
6	12398.0000	1	Gasket, Tank Heater
7	36220.0000	1	Tube, Overflow
	00908.0000	3	Nut, #8-32
8	05515.0000	1	Gasket, Overflow Tube
9	-----	1	Lid, Rounded Tank (For first replacement, order Squared Tank, Lid & Gasket)
	35940.0002	1	Lid, Squared Tank
	00908.0000	4	Nut, Hex #8-32
10	29329.1000	1	Thermostat, Limit
11	35937.0001	1	Gasket, Rounded Tank Lid
	35937.0003	1	Gasket, Squared Tank Lid
12	03803.0002	1	Switch Assy, Liquid Level (Includes items 13 & 14)
	00946.0000	1	Nut, Hex .125" FPT
13	03807.0000	1	Clip, Spring
14	03633.0000	1	Gasket, Float Switch
15	22728.0000	1	Overflow Cup (Copper)
	00970.0000	2	Nut, Keps #8-32
	41259.1003	1	Overflow Cup (Aluminum)
	41266.0000	1	Film
	41280.0001	1	Elbow
	04797.0000	1	Washer
16	12422.0001	2	Clamp, Hose .59"/.66" ID
17	28526.0039*	1	Tube, Silicone .312" ID x 9.5" (Order item 32)
18	21801.0015	1	Tube .375" O.D. x 1.50" LG

(continued)

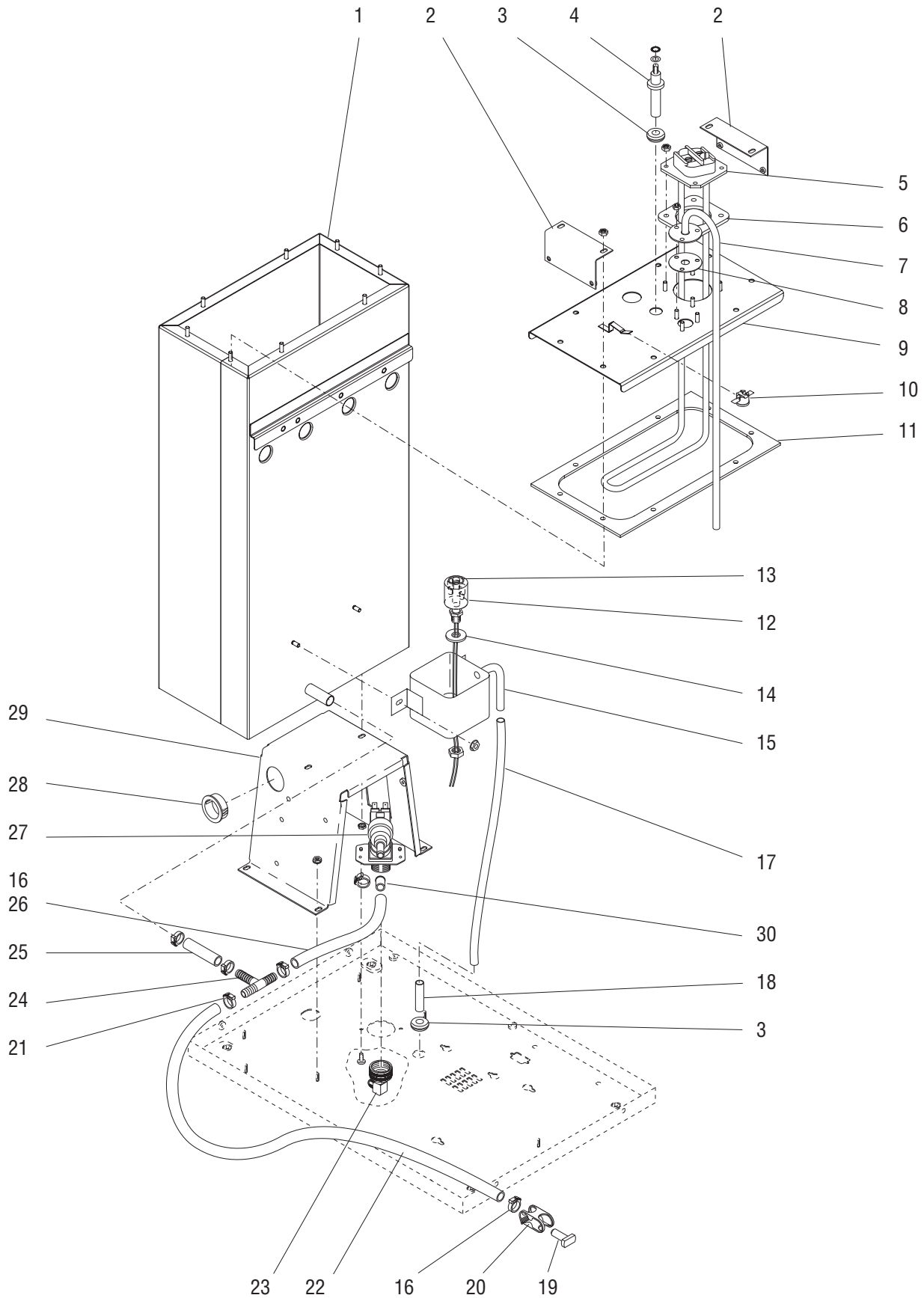
* Indicates the part number listed is for reference only. See DESCRIPTION for possible service replacement.



TANK, HEATER AND OVERFLOW PROTECTION

IMIX®-3

(continued)



P3248.50

TANK, HEATER AND OVERFLOW PROTECTION

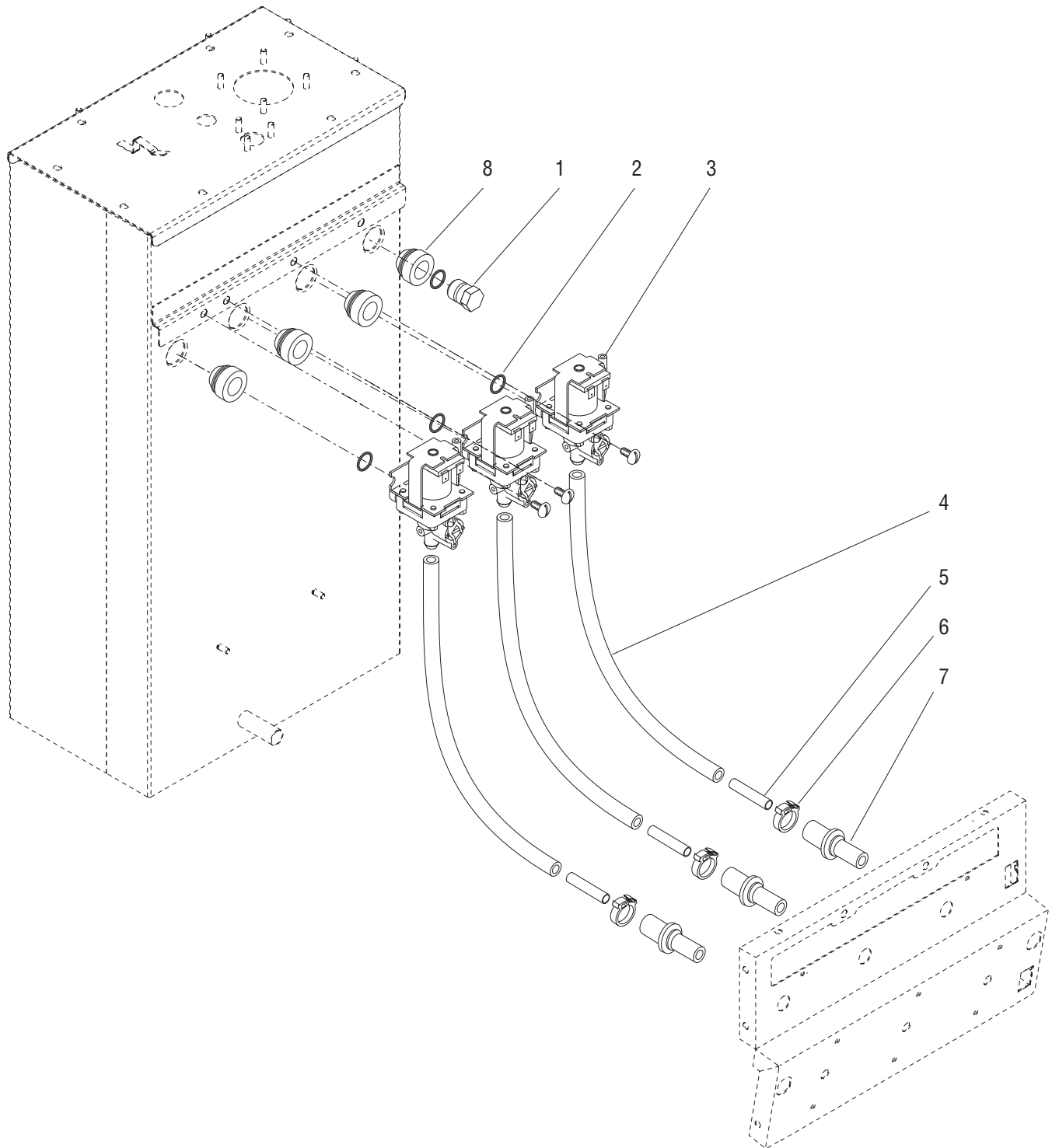
ITEM	PART NO.	QTY.	DESCRIPTION		
19	34392.0000	1	Plug, Hose .375" ID		
20	11630.0002	1	Clamp Shut Off, Tube		
21	12422.0005	4	Clamp, Hose .62"/.71" ID		
22	20976.0056*	1	Tube, Silicone .375" ID x 28.0" (Order item 33)		
23	37297.0006	1	Elbow, .25" Flare x .75" FTHRD		
24	38948.0000	1	Tee, .50" Barb		
25	20976.0017*	1	Tube, Silicone .375" ID x 2.0" (Order item 33)		
26	20976.0055*	1	Tube, Silicone .375" ID x 9.0" (Order item 33)		
27	36233.1000	1	Valve, Water Inlet 120V	} See item 36	
	36233.0001	1	Valve, Water Inlet 230V		
	32283.0000	2	Screw, Pan Head M4 x 6MM		
28	01592.0001	1	Bushing, Snap 1.18" Dia. Hole		
29	37099.0000	1	Bracket, Tank Mounting Lower		
	00970.0000	4	Nut, Keps #8-32		
30	36378.0001	1	Valve, Check 2.5 psi		
31	36222.0001*	1	Insulation, Tank	} Not Illustrated	
32	28526.1000	-	Tube, Silicone .312" ID x .562" OD x 12"		
	28526.1001	-	Tube, Silicone .312" ID x .562" OD x 36"		
	28526.1002	-	Tube, Silicone .312" ID x .562" OD x 60"		
	28526.1003	-	Tube, Silicone .312" ID x .562" OD x 120"		
33	20976.1000	-	Tube, Silicone, .375" ID x .50" OD x 12.0"		
	20976.1001	-	Tube, Silicone, .375" ID x .50" OD x 36.0"		
	20976.1002	-	Tube, Silicone, .375" ID x .50" OD x 120.0"		
34	35946.0002	1	Baffle		
35	34572.0000	2	Panel, Baffle Insert		
	34765.0000	4	Nut, Flanged #10-32		
36	43644.0000	-	Kit, Valve Rebuild		

* Indicates the part number listed is for reference only. See DESCRIPTION for possible service replacement.



DISPENSE VALVES AND LINES

IMIX®-3



DISPENSE VALVES AND LINES

ITEM	PART NO.	QTY.	DESCRIPTION
1	26369.1000	1	Plug (Includes item 2)
2	24733.0011	4	O-Ring
3	39285.1001	3	Valve, Liquid Dispense 120V (Includes item 2)
	39285.1002	3	Valve, Liquid Dispense 230V (Includes item 2)
	01326.0000	3	Screw, Truss Head #10-32 x .25"
4	28526.0027*	3	Tube, Silicone .312" ID x 16.5" (Order item 9)
5	21801.0015	3	Tube, .375" OD x 1.50"
6	12422.0001	3	Clamp, Hose .59"/.66" ID
7	25803.0000	3	Water Inlet, Mixing Chamber
8	37970.0000	4	Grommet
9	28526.1001	-	Tube, Silicone .312" I.D. x .438" O.D. x 36"
	28526.1002	-	Tube, Silicone .312" I.D. x .438" O.D. x 60"
	28526.1003	-	Tube, Silicone .312" I.D. x .438" O.D. x 120"
10	45965.1000	-	Repair Kit, Dispense Valve (Includes Spring, Flow Control, O-rings, and Diaphragm)

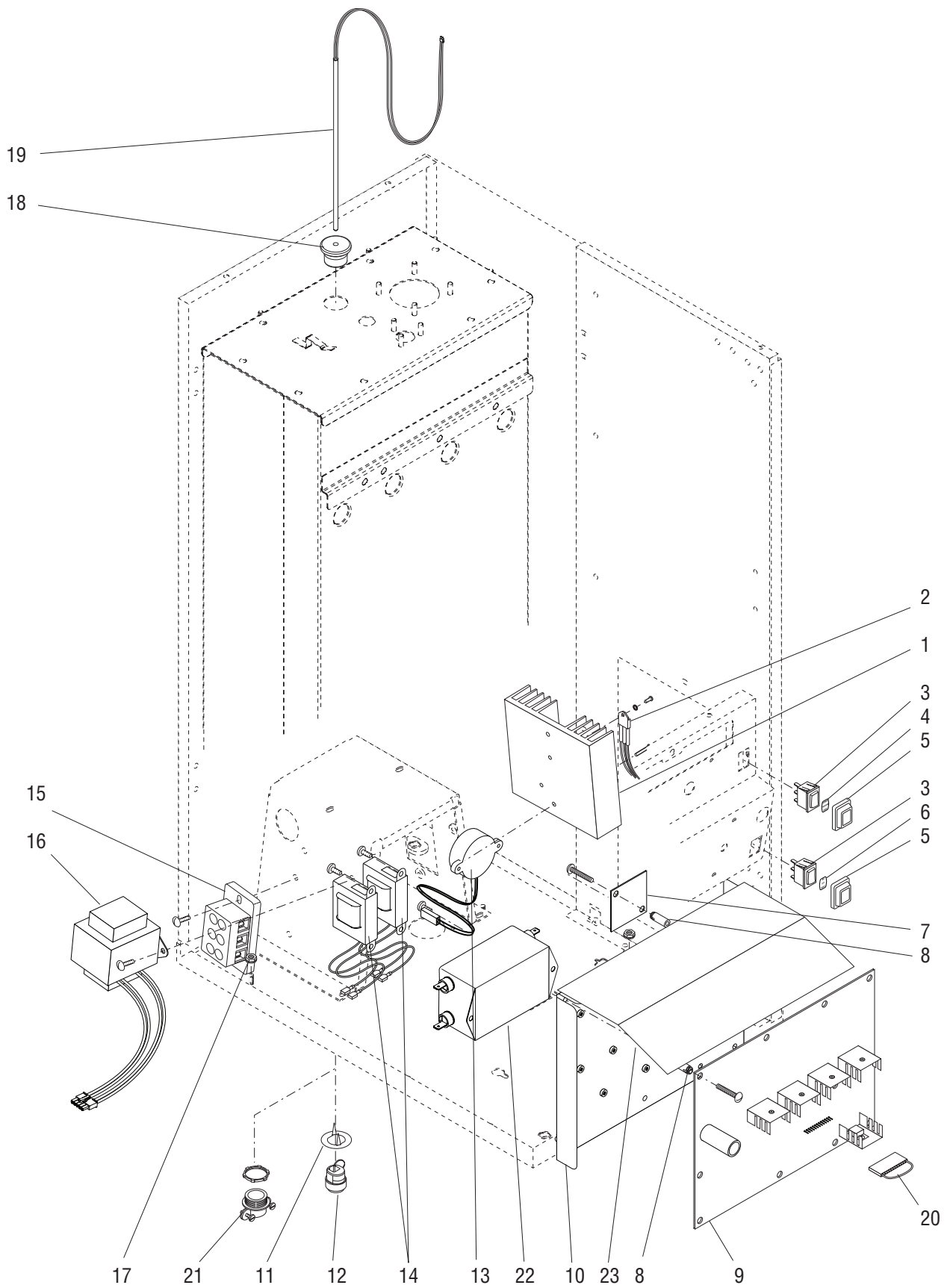
} Not
Illustrated

* Indicates the part number listed is for reference only. See DESCRIPTION for possible service replacement.



ELECTRICAL CONTROLS

IMIX®-3



P3250.65

ELECTRICAL CONTROLS

ITEM	PART NO.	QTY.	DESCRIPTION
1	20541.0001	1	Heat Sink
	01347.0000	2	Screw, Truss Head #6-32 x .375"
2	12565.1035	1	Triac Assy, 120V, 40 Amp (also order item 31)
	12565.0018	1	Triac Assy, 230V, 40 Amp (also order item 31)
	01520.0000	1	Lock Washer, Split #6
	02328.0003	1	Screw, Pan Head #6-32 x .312"
3	27437.0002	2	Switch, Rocker NORMAL/PROGRAM/RINSE and ON/OFF/NIGHT
4	37192.0000	1	Decal, Switch - NORMAL/PROGRAM/RINSE
5	34390.0000	2	Cap, Rocker Switch
6	37193.0000	1	Decal, Switch - ON/OFF/NIGHT
7	36449.1000	1	Control Board Assy, Memory
	38712.1000	1	Control Board Assy, Memory (RoHS Compliant)
	01382.0008	2	Screw, Truss Head #6-32 x 1.0" } Early Models
8	29081.0004	12	Spacer, .153" ID x .62" LG (2 less with Late Models)
9	37104.1010	1	Control Board Assy, Main
	01382.0008	10	Screw, Truss Head #6-32 x 1.0"
10	36976.0001	1	Bracket, Component Mounting (Early Models)
	36976.0002	1	Bracket, Component Mounting (Late Models)
	01311.0001	2	Screw, Truss Head Locking #8-32 x .25"
11	00715.0000	1	Adapter Washer, Strain Relief 120V
12	00713.0000	1	Bushing, Strain Relief 120V
13	33147.0002	1	Audio Indicator Assy
	01382.0000	2	Screw, Truss Head #6-32 x .375"
14	28327.0002	2	Ballast, 120V-60HZ W/Terminals
	39642.0000	2	Ballast, 230V-60HZ W/Terminals
	01382.0000	4	Screw, Truss Head #6-32 x .375"
15	07038.0000	1	Terminal Block, 120V
	01106.0000	1	Terminal Block, 230V
	01317.0000	2	Screw, Truss Head #8-32 x .50"
16	34829.0001	1	Transformer Assy, 120V to 24V
	34829.0002	1	Transformer Assy, 230V to 24V
	01317.0000	2	Screw, Truss Head #8-32 x .50"
17	00970.0000	2	Nut, Ground Keps #8-32
18	33801.0003	1	Grommet, Temp Sensor
19	39085.0002	1	Probe, Temperature & Dry Plug
20	37780.0001	1	Jumper, IMIX-3
21	01685.0000	1	Connector, Cord 230V
22	36801.0001	1	EMI Filter 230V
23	46640.0000	1	Drip Shield

(continued)

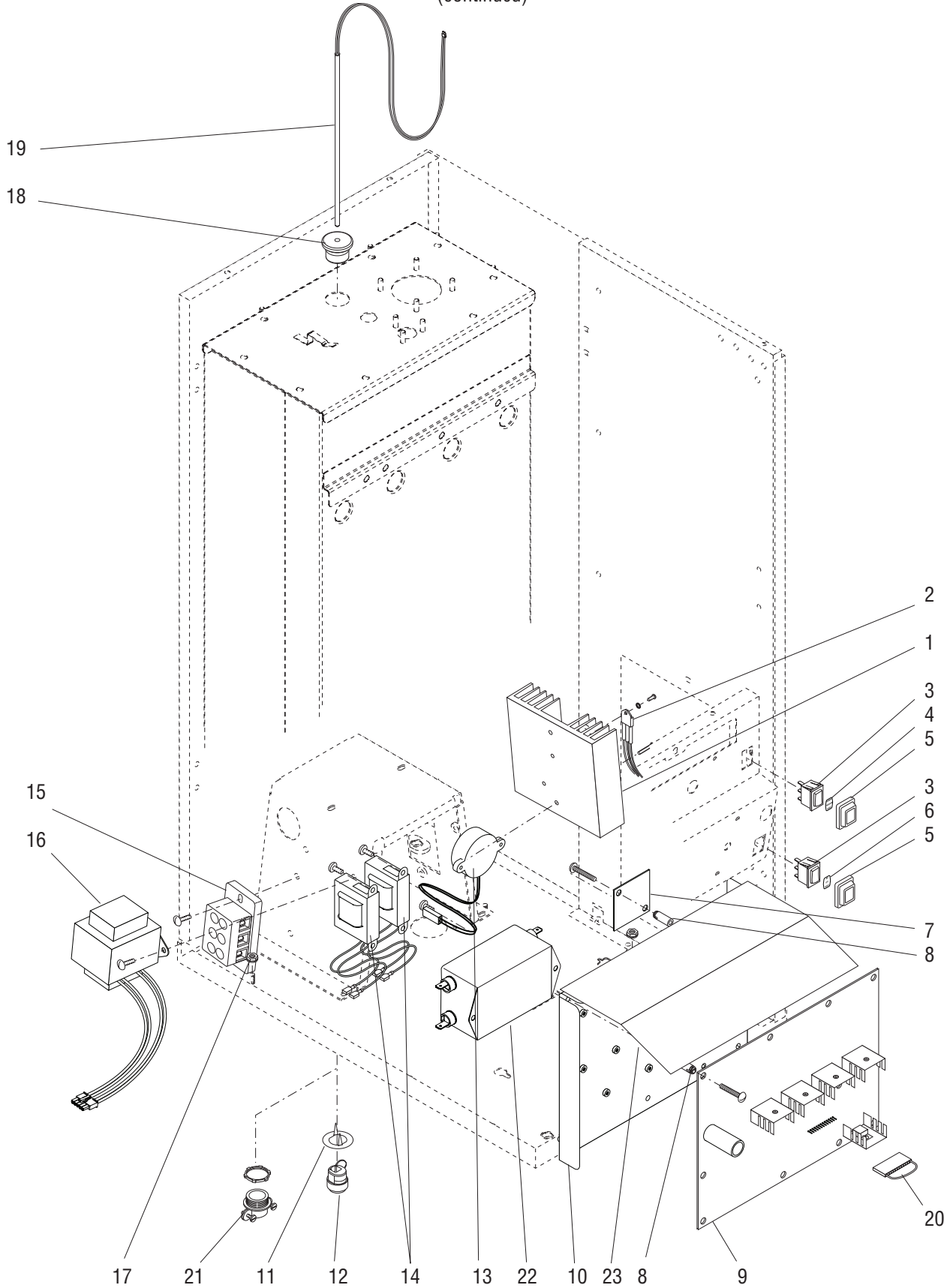
* Indicates the part number listed is for reference only. See DESCRIPTION for possible service replacement.



ELECTRICAL CONTROLS

IMIX®-3

(continued)



P3250.65

ELECTRICAL CONTROLS

ITEM	PART NO.	QTY.	DESCRIPTION
The following items are not illustrated			
24	20630.0005	1	Cord Assembly, Power 120V only
25	36849.0000	1	Wiring Harness, Power 120V (Doors with Fluorescent Lighting)
	36849.0001	1	Wiring Harness, Power 230V (Doors with Fluorescent Lighting)
	36849.0010	1	Wiring Harness, Power 120V (Doors with LED Lighting)
	36849.0011	1	Wiring Harness, Power 230V (Doors with LED Lighting)
26	36850.0000	1	Wiring Harness, Switch
27	36844.0005	1	Wiring Harness, I/O Head #1
28	36844.0006	1	Wiring Harness, I/O Head #2
29	36844.0007	1	Wiring Harness, I/O Head #3
30	36676.0001	1	Wiring Harness, Memory Board (Early Models)
31	M2522.1000	-	Heat Sink Compound
32	37842.0000	1	Wiring Harness, EMI Filter 230V
33	37998.0000	1	Lead, Limit to Tank Heater 230V
34	46293.0001	1	Wiring Harness, Transformer (Doors with LED Lighting)

* Indicates the part number listed is for reference only. See DESCRIPTION for possible service replacement.