

BUNN®

IMIX®-5S+



ILLUSTRATED PARTS CATALOG

Designs, materials, weights, specifications, and dimensions for equipment or replacement parts are subject to change without notice.

BUNN-O-MATIC CORPORATION

POST OFFICE BOX 3227

SPRINGFIELD, ILLINOIS 62708-3227

PHONE: (217) 529-6601 FAX: (217) 529-6644



BUNN-O-MATIC COMMERCIAL PRODUCT WARRANTY

Bunn-O-Matic Corp. ("BUNN") warrants equipment manufactured by it as follows:

- 1) Airpots, thermal carafes, decanters, GPR servers, iced tea/coffee dispensers, MCR/MCP/MCA single cup brewers, thermal servers and ThermoFresh® servers (mechanical and digital) 1 year parts and 1 year labor.
- 2) All other equipment - 2 years parts and 1 year labor plus added warranties as specified below:
 - a) Electronic circuit and/or control boards - parts and labor for 3 years.
 - b) Compressors on refrigeration equipment - 5 years parts and 1 year labor.
 - c) Grinding burrs on coffee grinding equipment to grind coffee to meet original factory screen sieve analysis - parts and labor for 4 years or 40,000 pounds of coffee, whichever comes first.

These warranty periods run from the date of installation BUNN warrants that the equipment manufactured by it will be commercially free of defects in material and workmanship existing at the time of manufacture and appearing within the applicable warranty period. This warranty does not apply to any equipment, component or part that was not manufactured by BUNN or that, in BUNN's judgment, has been affected by misuse, neglect, alteration, improper installation or operation, improper maintenance or repair, non periodic cleaning and descaling, equipment failures related to poor water quality, damage or casualty. In addition, the warranty does not apply to replacement of items subject to normal use including but not limited to user replaceable parts such as seals and gaskets. This warranty is conditioned on the Buyer 1) giving BUNN prompt notice of any claim to be made under this warranty by telephone at (217) 529-6601 or by writing to Post Office Box 3227, Springfield, Illinois 62708-3227; 2) if requested by BUNN, shipping the defective equipment prepaid to an authorized BUNN service location; and 3) receiving prior authorization from BUNN that the defective equipment is under warranty.

THE FOREGOING WARRANTY IS EXCLUSIVE AND IS IN LIEU OF ANY OTHER WARRANTY, WRITTEN OR ORAL, EXPRESS OR IMPLIED, INCLUDING, BUT NOT LIMITED TO, ANY IMPLIED WARRANTY OF EITHER MERCHANTABILITY OR FITNESS FOR A PARTICULAR PURPOSE. The agents, dealers or employees of BUNN are not authorized to make modifications to this warranty or to make additional warranties that are binding on BUNN. Accordingly, statements by such individuals, whether oral or written, do not constitute warranties and should not be relied upon.

If BUNN determines in its sole discretion that the equipment does not conform to the warranty, BUNN, at its exclusive option while the equipment is under warranty, shall either 1) provide at no charge replacement parts and/or labor (during the applicable parts and labor warranty periods specified above) to repair the defective components, provided that this repair is done by a BUNN Authorized Service Representative; or 2) shall replace the equipment or refund the purchase price for the equipment.

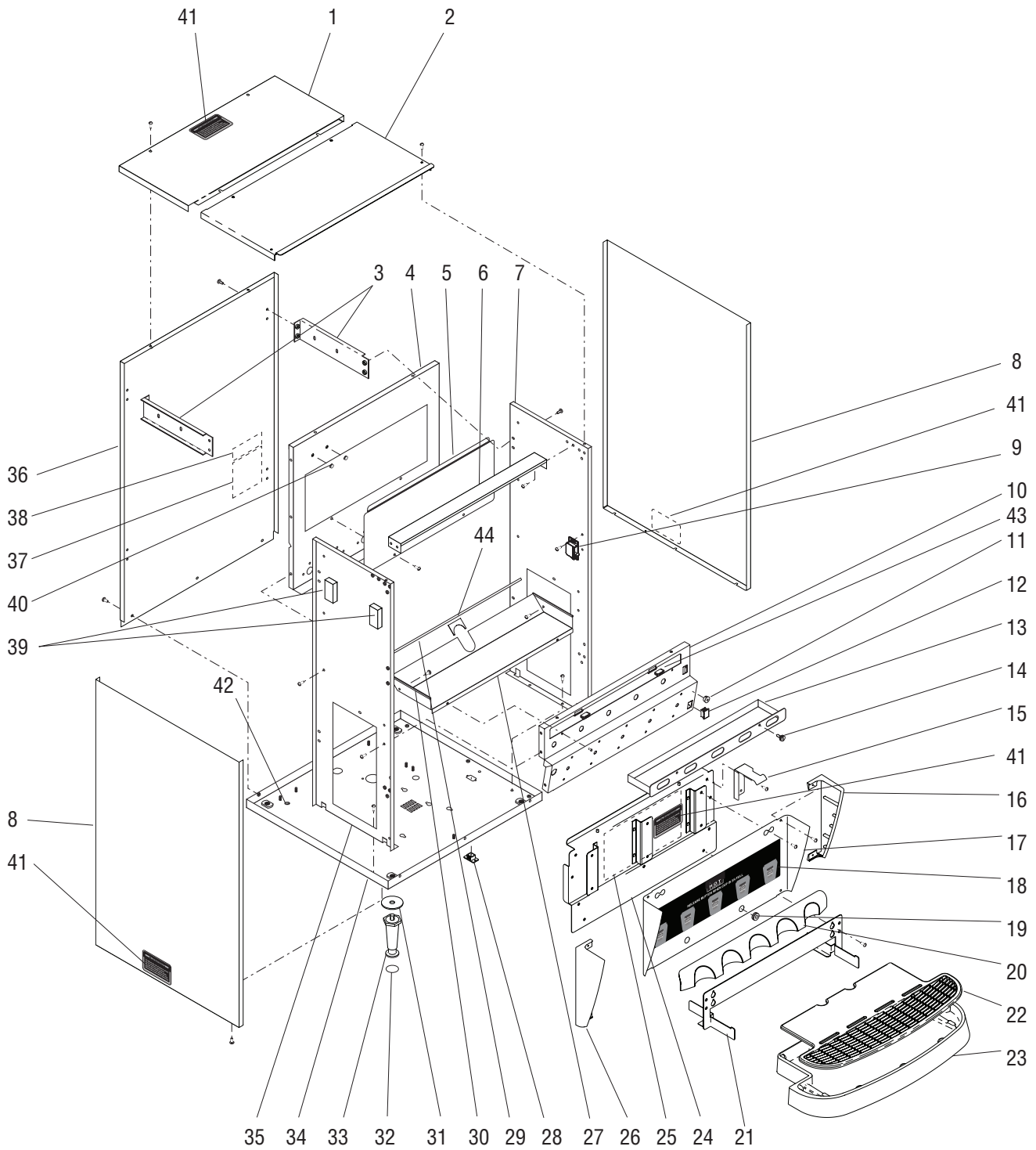
THE BUYER'S REMEDY AGAINST BUNN FOR THE BREACH OF ANY OBLIGATION ARISING OUT OF THE SALE OF THIS EQUIPMENT, WHETHER DERIVED FROM WARRANTY OR OTHERWISE, SHALL BE LIMITED, AT BUNN'S SOLE OPTION AS SPECIFIED HEREIN, TO REPAIR, REPLACEMENT OR REFUND.

In no event shall BUNN be liable for any other damage or loss, including, but not limited to, lost profits, lost sales, loss of use of equipment, claims of Buyer's customers, cost of capital, cost of down time, cost of substitute equipment, facilities or services, or any other special, incidental or consequential damages.

392, A Partner You Can Count On, Air Infusion, AutoPOD, AXIOM, BrewLOGIC, BrewMETER, Brew Better Not Bitter, BrewWISE, BrewWIZARD, BUNN Espresso, BUNN Family Gourmet, BUNN Gourmet, BUNN Pour-O-Matic, BUNN, BUNN with the stylized red line, BUNNlink, Bunn-O-Matic, Bunn-O-Matic, BUNNserve, BUNNSERVE with the stylized wrench design, Cool Froth, DBC, Dr. Brew stylized Dr. design, Dual, Easy Pour, EasyClear, EasyGard, FlavorGard, Gourmet Ice, Gourmet Juice, High Intensity, iMIX, Infusion Series, Intellisteam, My Café, Phase Brew, PowerLogic, Quality Beverage Equipment Worldwide, Respect Earth, Respect Earth with the stylized leaf and coffee cherry design, Safety-Fresh, savemycoffee.com, Scale-Pro, Silver Series, Single, Smart Funnel, Smart Hopper, SmartWAVE, Soft Heat, SplashGard, The Mark of Quality in Beverage Equipment Worldwide, ThermoFresh, Titan, trifecta, TRIFECTA (stylized logo), Velocity Brew, Air Brew, Beverage Bar Creator, Beverage Profit Calculator, Brew better, not bitter., Build-A-Drink, BUNNSource, Coffee At Its Best, Cyclonic Heating System, Daypart, Digital Brewer Control, Element, Milk Texturing Fusion, Nothing Brews Like a BUNN, Picture Prompted Cleaning, Pouring Profits, Signature Series, Sure Tamp, Tea At Its Best, The Horizontal Red Line, Ultra are either trademarks or registered trademarks of Bunn-O-Matic Corporation. The commercial trifecta® brewer housing configuration is a trademark of Bunn-O-Matic Corporation.

TABLE OF CONTENTS

| TITLE | PAGE NO. |
|---|----------|
| Auger Drive and Hopper Assembly | 16 |
| Covers, Panels and Drip Tray | 4 |
| Dispense Valves and Lines..... | 24 |
| Door, Lamp, Dispense Switches and Panels (Left and Right Hinged Doors)..... | 8 |
| Door, Lamp, Dispense Switches and Panels (Top Hinged Doors) | 12 |
| Electrical Controls | 26 |
| Mixing/Whipper Chambers and Drive Motor | 18 |
| Numerical Index..... | 28 |
| Tank, Heater and Overflow Protection | 20 |



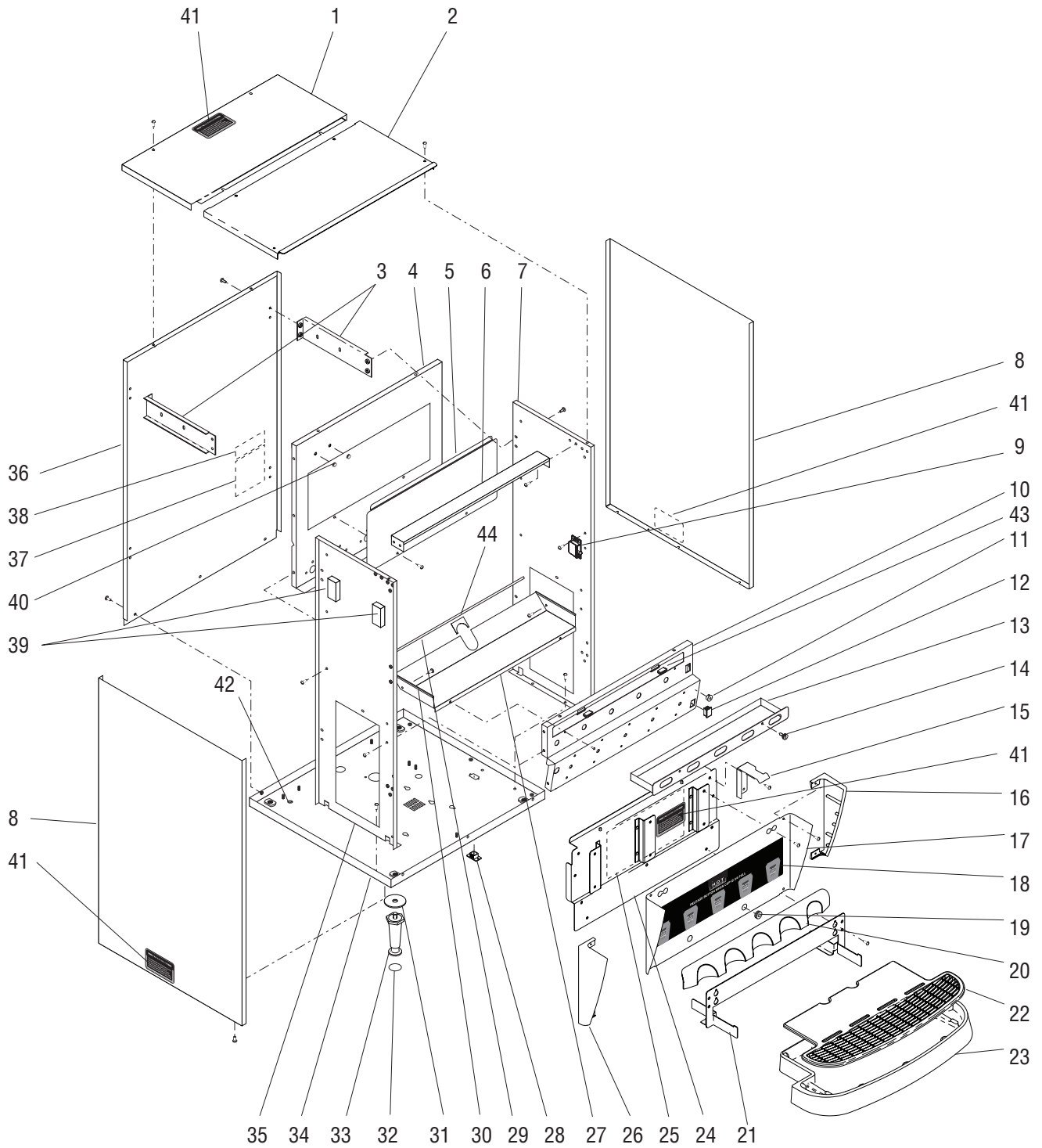
COVERS, PANELS AND DRIP TRAY

| ITEM | PART NO. | QTY. | DESCRIPTION |
|------|-------------|------|---|
| 1 | 35916.1001 | 1 | Cover, Top Rear - BLK (Includes item 41) |
| | 01311.0003 | 2 | Screw, Truss Head BLK #8-32 x .25" |
| 2 | 35915.1001 | 1 | Cover, Top Front - BLK |
| | 01311.0003 | 2 | Screw, Truss Head BLK #8-32 x .25" |
| | 01382.0002 | 2 | Screw, Truss Head BLK #6-32 x .375" |
| 3 | 35926.0000 | 4 | Bracket, Side Support |
| | 01311.0001 | 8 | Screw, Truss Head - Locking #8-32 x .25" |
| 4 | 35927.0002 | 1 | Panel, Inner Rear (Models w/ Left or Right Hinged Doors) |
| | 35927.0006 | 1 | Panel, Inner Rear (Models w/ Top Hinged Doors) |
| | 01311.0001 | 6 | Screw, Truss Head - Locking #8-32 x .25" |
| 5 | 36232.0000 | 1 | Panel, Inner Access |
| | 01311.0000 | 2 | Screw, Truss Head #8-32 x .25" |
| 6 | 36648.0000 | 1 | Strap, Top Support |
| | 01311.0001 | 4 | Screw, Truss Head - Locking #8-32 x .25" |
| | 42598.1001 | 1 | Bracket, Top Support (Models w/ Top Hinged Doors) |
| | 01317.0003 | 6 | Screw, Truss Head - Locking #8-32 x .38" |
| 7 | 36230.0002 | 1 | Panel, Inner Right (Models w/ Left or Right Hinged Doors) |
| | 36230.0003 | 1 | Panel, Inner Right (Models w/ Top Hinged Doors) |
| | 01311.0001 | 2 | Screw, Truss Head - Locking #8-32 x .25" |
| 8 | 35912.0001 | 2 | Panel, Side |
| | 01311.0003 | 6 | Screw, Truss Head BLK #8-32 x .25" |
| 9 | 34666.0000 | 1 | Catch, Door Latch |
| | 02336.0000 | 2 | Screw, Truss Head #4-40 x .375" |
| | 01509.0001 | 2 | Lockwasher, Int.-tooth #4 |
| 10 | 35929.0000 | 1 | Panel, Whipper Motor (Early Models w/ screws) |
| | 35929.0004 | 1 | Panel, Whipper Motor (Early Models w/ magnets) |
| | 01311.0001 | 8 | Screw, Truss Head - Locking #8-32 x .25" |
| 11 | 00669.0005 | 1 | Plug, Hole .438" Nkl. Pltd. |
| 12 | 38935.0000 | 1 | Insert, Switch Hole |
| 13 | 36235.0000* | 1 | Tray, Powder Box (Early Models w/ screws) |
| | 36235.0002 | 1 | Tray, Powder Box (Late Models w/ magnets) |
| 14 | 37988.0000 | 2 | Screw, Captive #10-32 x .50" (Early Models) |
| | 34998.0000 | 2 | E-Ring, Retaining .127" OD |
| 15 | 36644.0000 | 1 | Bracket, Door Locking (Right side) |
| | 36644.0001 | 1 | Bracket, Door Locking (Left side) |
| | 01311.0001 | 2 | Screw, Truss Head - Locking #8-32 x .25" |
| 16 | 36743.0001 | 1 | Cap, Splash Panel Right |
| | 44224.0000 | 2 | Screw, Pan Head Plastite #6 x .375" |
| 17 | 37180.1000 | 1 | Panel W/Decal, Splash (Includes items 16, 18, 19, 20, & 26) |
| | 01311.0001 | 2 | Screw, Truss Head - Locking #8-32 x .25" |
| 18 | 28328.0010 | 1 | Decal, Caution-Hot Liquid & Cup Placement |
| 19 | 02536.0000 | 2 | Grommet, Silicone .375" ID |

(Continued)

* Indicates the part number listed is for reference only. See DESCRIPTION for possible service replacement.

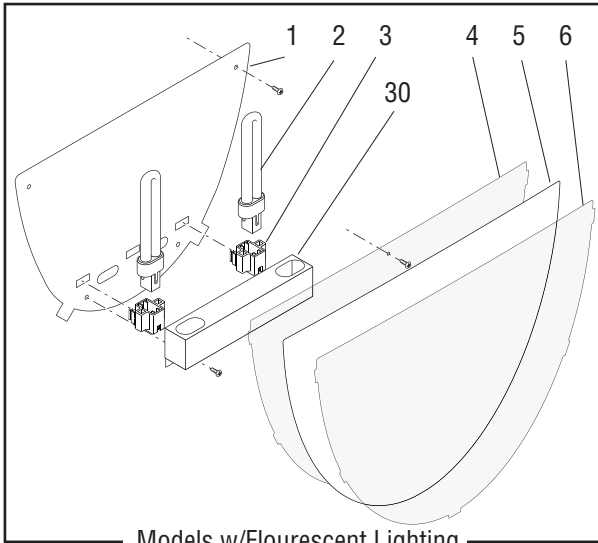
(Continued)



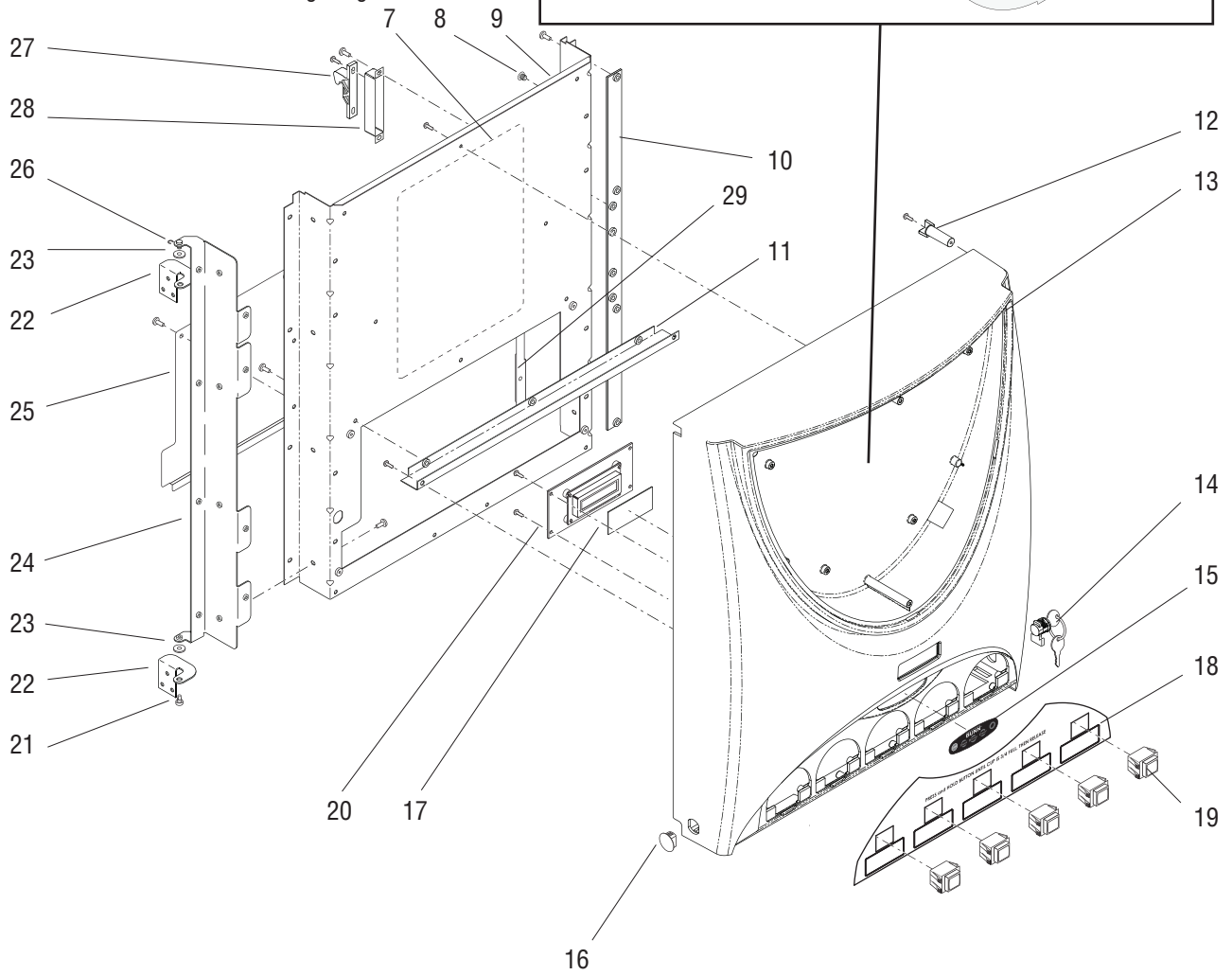
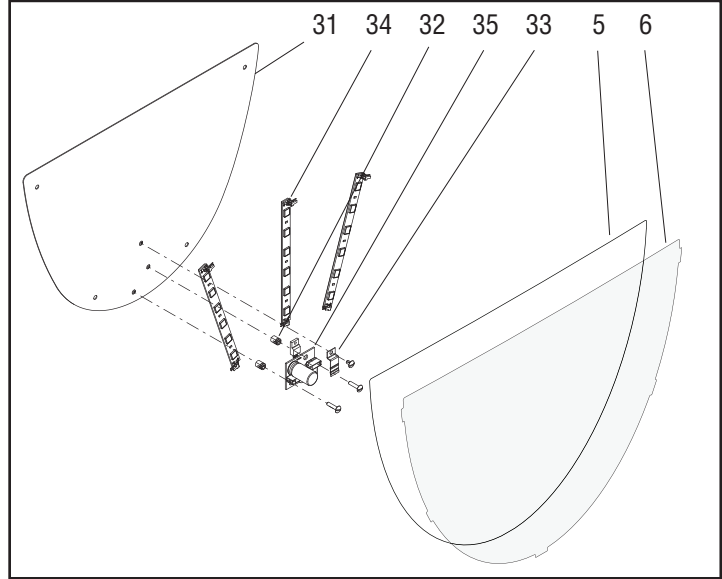
COVERS, PANELS AND DRIP TRAY

| ITEM | PART NO. | QTY. | DESCRIPTION |
|------|-------------|------|---|
| 20 | 36742.0000 | 1 | Guide, Cup |
| 21 | 37065.0000 | 1 | Bracket, Drip Tray |
| | 01311.0001 | 2 | Screw, Truss Head - Locking #8-32 x .25" |
| 22 | 36739.0000 | 1 | Cover, Drip Tray |
| 23 | 36670.0000 | 1 | Drip Tray |
| 24 | 36224.1002 | 1 | Panel, Lower Access (Includes item 25) |
| | 01311.0000 | 3 | Screw, Truss Head #8-32 x .25" |
| 25 | 38986.0000 | 1 | Schematic 120V (Doors with Fluorescent Lighting) |
| | 38986.0001 | 1 | Schematic 230V (Doors with Fluorescent Lighting) |
| | 38986.0013 | 1 | Schematic 120V (Doors with LED Lighting) |
| 26 | 36743.0000 | 1 | Cap, Splash Panel Left |
| | 44224.0000 | 2 | Screw, Pan Head Plastite #6 x .375" |
| 27 | 36240.0001 | 1 | Shelf, Powder Box |
| | 01311.0001 | 2 | Screw, Truss Head - Locking #8-32 x .25" |
| | 02336.0000 | 2 | Screw, Truss Head #4-40 x .375" |
| 28 | 36398.0000 | 1 | Plug, Hole DB-9 (Early Models) |
| 29 | 02434.0018* | 1 | Gasket, U-Channel 17.5" (Order item 46) |
| 30 | 02434.0008* | 2 | Gasket, U-Channel 4.60" (Order item 46) |
| 31 | 01526.0001 | 4 | Washer, Flat .438" ID x 1.88" OD |
| 32 | 03996.0000 | 4 | Pad, Rubber 1.25" Dia. (Also see item 45) |
| 33 | 26528.0000 | 4 | Leg, 4.0" Adjustable (Also see item 45) |
| 34 | 35924.0000 | 1 | Panel, Bottom |
| 35 | 36229.0002 | 1 | Panel, Inner Left (Models w/ Left or Right Hinged Doors) |
| | 36229.0003 | 1 | Panel, Inner Left (Models w/ Top Hinged Doors) |
| | 01311.0001 | 2 | Screw, Truss Head - Locking #8-32 x .25" |
| 36 | 35925.1001 | 1 | Panel Assembly, Rear (Includes items 37 and 38) |
| | 01311.0003 | 11 | Screw, Truss Head BLK #8-32 x .25" |
| 37 | 00831.0000 | 1 | Decal, Warning-Electrical |
| 38 | 00656.0001 | 1 | Decal, Comply to Plumbing Code |
| 39 | 36896.0000 | 4 | Pad, Styro 1.0" x 2.0" x .5" |
| 40 | 00619.0002 | 2 | Plug, Hole .25" Dia. |
| 41 | 37881.0000 | 4 | Decal, No Serviceable Parts |
| 42 | 00824.0002 | 1 | Decal, Grounding |
| 43 | 21436.0000 | 2 | Magnetic Catch (Late Models) |
| 44 | 38345.0000 | 1 | Filler Plate |
| 45 | 13255.0003 | - | Kit, Leg 4.0" Adjustable (Includes 4 each of items 32 and 33) |
| 46 | 02434.1000 | - | Gasket, U-Channel - 18" LG |
| | 02434.1001 | - | Gasket, U-Channel - 36" LG |

* Indicates the part number listed is for reference only. See DESCRIPTION for possible service replacement.



Models w/Flourescent Lighting



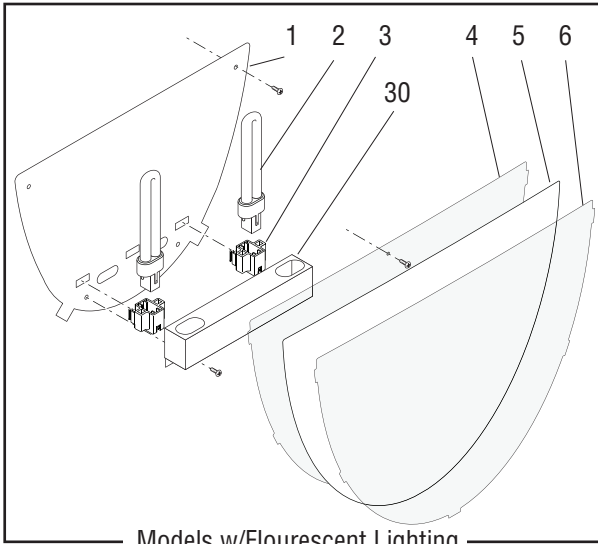
**DOOR, LAMP, DISPENSE SWITCHES AND PANELS
(LEFT & RIGHT HINGED DOORS)**

| ITEM | PART NO. | QTY. | DESCRIPTION |
|------|-------------|------|---|
| 1 | 36656.0003 | 1 | Panel, Lamp (Doors with Flourescent Lighting) |
| | 01360.0002 | 4 | Screw, Pan Head Plascrew #6 - 32 x .375" |
| 2 | 32806.0000 | 2 | Lamp, Fluorescent - 7 Watts (Doors with Flourescent Lighting) |
| 3 | 32807.0001 | 2 | Lamp Holder, Fluorescent (Doors with Flourescent Lighting) |
| 4 | 36650.0000 | 1 | Lens, Fixed |
| | 02336.0000 | 2 | Screw, Truss Head #4-40 x .375" |
| 5 | 36768.0006 | 1 | Display, Graphics |
| 6 | 36662.0000 | 1 | Lens, Removable (Doors with Flourescent Lighting) |
| | 36650.0001 | 1 | Lens, Removable (Doors with LED Lighting) |
| 7 | 37254.0003 | 1 | Decal, Cleaning |
| 8 | 36149.0000 | 8 | Fastener, Snap-in .197" Hole |
| 9 | 36667.1000 | 1 | Panel, Door - Upper (Includes item 7)(Right Hinged Doors) |
| | 36667.1002 | 1 | Panel, Door - Upper (Includes item 7)(Left Hinged Doors) |
| | 01360.0002 | 10 | Screw, Pan Head Plascrew #6 - 32 x .375" |
| | 01311.0001 | 19 | Screw, Truss Head Locking #8-32 x .25" |
| 10 | 36658.0000 | 1 | Flange, Door |
| 11 | 36734.0000* | 1 | Bracket, Inner Panel |
| | 01360.0002 | 2 | Screw, Pan Head Plascrew #6 - 32 x .375" |
| 12 | 36244.0000 | 1 | Plug, Door Hinge |
| | 01360.0002 | 1 | Screw, Pan Head Plascrew #6 - 32 x .375" |
| 13 | 37096.0000 | 1 | Door |
| 14 | 32863.1000 | 1 | Keylock W/Keys, Door |
| | 28095.0000 | 1 | Key Set |
| 15 | 36231.0000 | 1 | Membrane Switch |
| 16 | 00669.0004 | 1 | Plug, .75" x .625" hole |
| 17 | 37013.0000 | 1 | Cover, LCD Door Lens |
| 18 | 39046.0000 | 1 | Switch Plate Assy. |
| 19 | 28296.0001 | 3 | Switch, Dispense, Red |
| | 28296.0003 | 2 | Switch, Dispense, Blue |
| 20 | 38832.1000 | 1 | Circuit Board, Display |
| | 01311.0000 | 4 | Screw, Truss Head #8-32 x .25" |
| 21 | 24457.0002 | 1 | Screw, .25" Shoulder #8-32 |
| 22 | 36647.0000 | 2 | Bracket, Hinge (Right side Hinge) |
| | 36647.0001 | 2 | Bracket, Hinge (Left side Hinge) |
| | 01311.0001 | 6 | Screw, Truss Head #8-32 x .25" Locking |
| 23 | 34362.0000 | 2 | Bushing, Hinge |

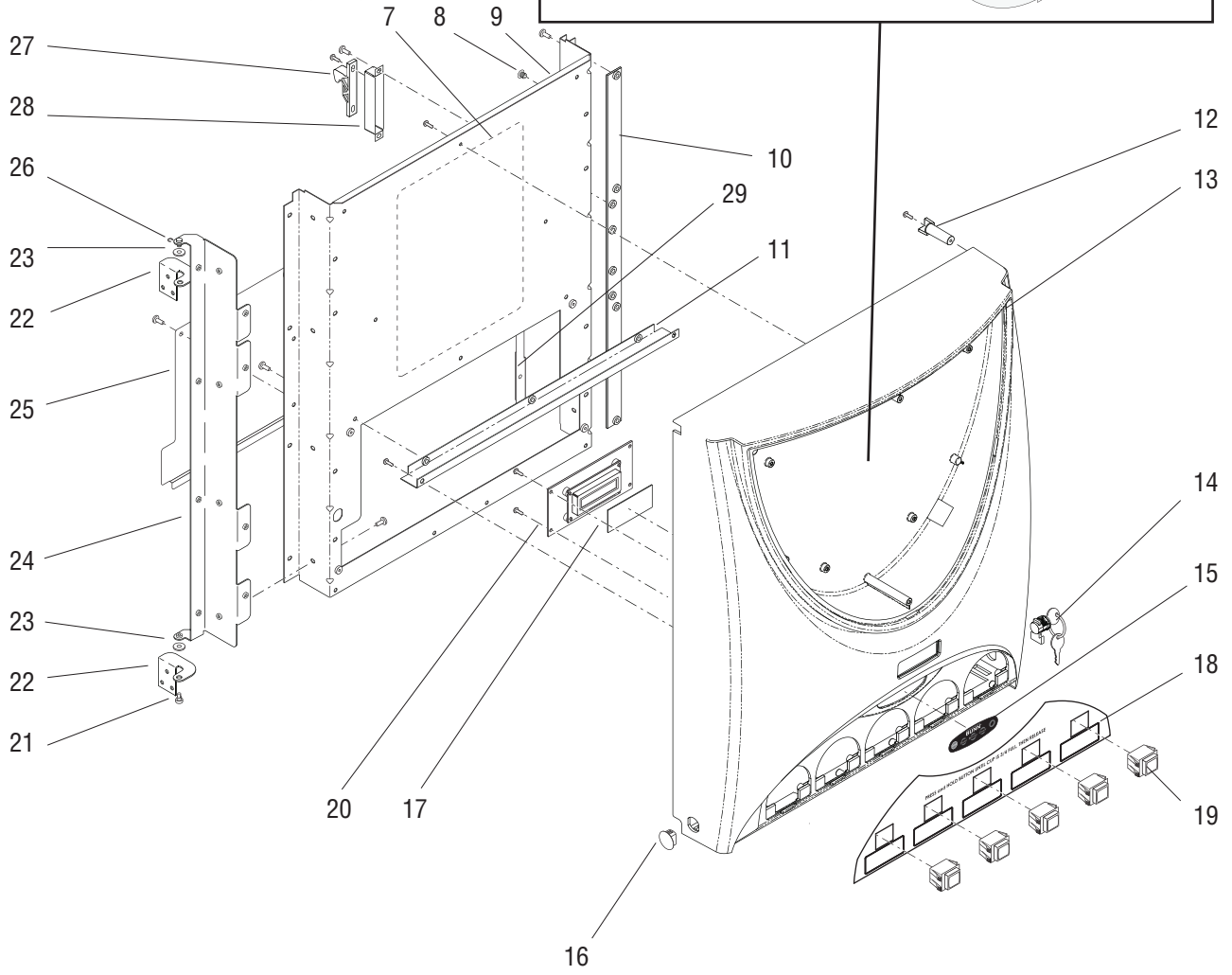
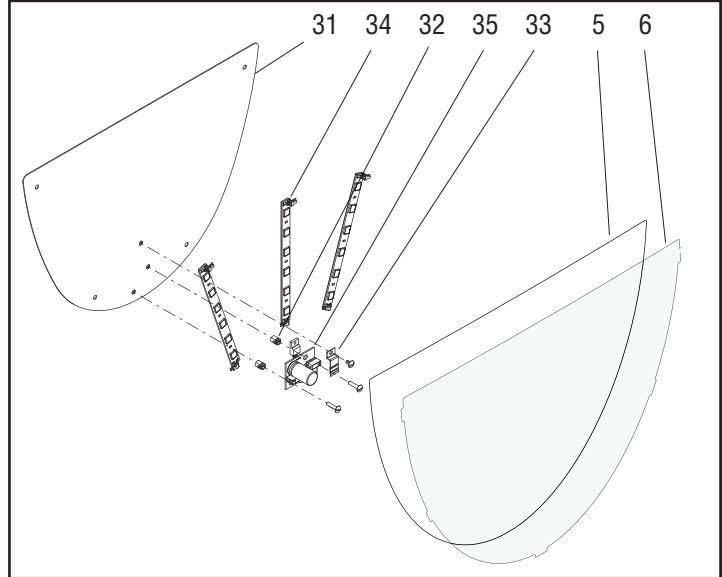
(Continued)

* Indicates the part number listed is for reference only. See DESCRIPTION for possible service replacement.

(Continued)



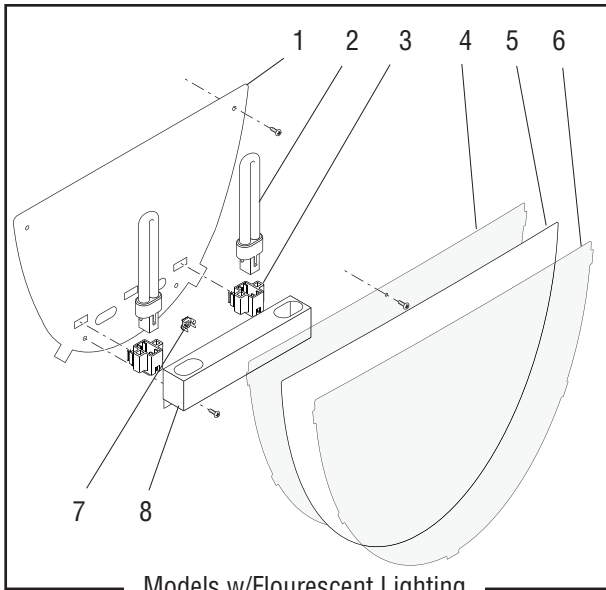
Models w/Flourescent Lighting



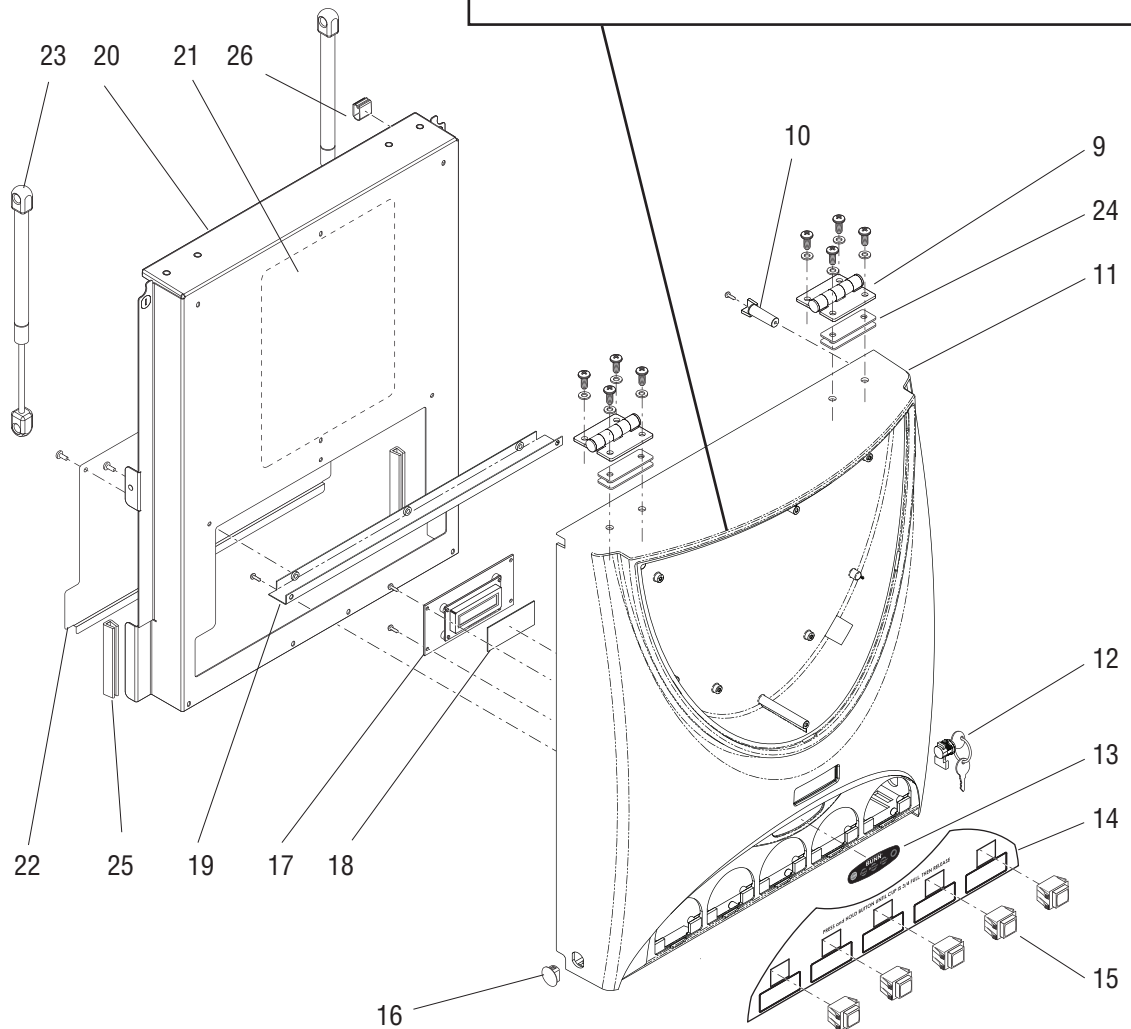
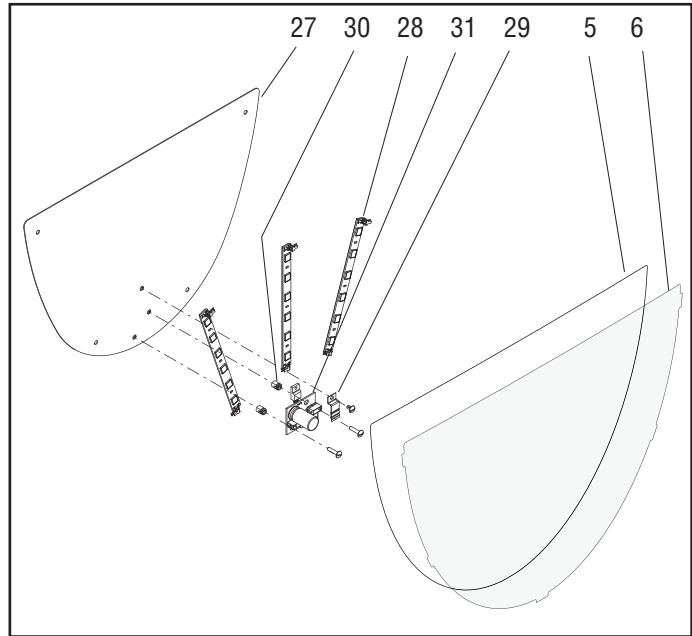
**DOOR, LAMP, DISPENSE SWITCHES AND PANELS
(LEFT & RIGHT HINGED DOORS)**

| ITEM | PART NO. | QTY. | DESCRIPTION |
|---|------------|------|--|
| 24 | 36661.0002 | 1 | Flange, Door Hinge (Left side Hinge) |
| | 36661.0000 | 1 | Flange, Door Hinge (Right side Hinge) |
| 25 | 36659.0000 | 1 | Panel, Door - Lower (Right Hinged Doors) |
| | 36659.0002 | 1 | Panel, Door - Lower (Left Hinged Doors) |
| | 01311.0000 | 4 | Screw, Truss Head #8-32 x .25" |
| 26 | 01403.0000 | 1 | E-Ring, External .188" Shaft |
| 27 | 34667.0000 | 1 | Keeper, Door Latch |
| | 02336.0000 | 2 | Screw, Truss Head #4-40 x .375" |
| 28 | 36669.0000 | 1 | Bracket, Keeper Mounting (Right Hinged Doors) |
| | 39038.0000 | 1 | Plate, Keeper Mounting (Left Hinged Doors) |
| | 01311.0001 | 2 | Screw, Truss Head #8-32 x .25" Locking |
| 29 | 40031.1000 | 1 | Baffle Kit, Left Hand Hinge |
| | 40031.1001 | 1 | Baffle Kit, Right Hand Hinge |
| 30 | 40032.0002 | 1 | Cover, Light (Doors with Flourescent Lighting) |
| 31 | 46324.0001 | 1 | Panel, Lamp (Doors with LED Lighting) |
| | 01360.0002 | 4 | Screw, Pan Head Plascrew #6 - 32 x .375" |
| 32 | 42593.0000 | 3 | CBA, 6 LED |
| 33 | 41244.0000 | 1 | Clip |
| | 01308.0002 | 1 | Screw, Truss Head 6-32 x .25" Lkg |
| 34 | 29081.0005 | 2 | Spacer |
| 35 | 48005.0001 | 1 | CBA, Backlight Regulator |
| | 02367.0002 | 2 | Screw, Truss Head 6-32 x .62" Lkg |
| NOTE: The following items are not illustrated | | | |
| 36 | 26444.0000 | 1 | Bushing, Strain Relief (Doors with Flourescent Lighting) |
| | 47555.0000 | 1 | Bushing, Strain Relief (Doors with LED Lighting) |
| 37 | 36888.0000 | 1 | Wiring Harness, Door Interconnect 120V (Doors with Flourescent Lighting) |
| | 47311.0001 | 1 | Wiring Harness, Door Interconnect 120V (Doors with LED Lighting) |
| 38 | 36887.0003 | 1 | Wiring Harness, Backlight (Doors with Flourescent Lighting) |
| 39 | 26537.0000 | 1 | Decal, Flavors (Almond Amaretto, Cappuccino, French Vanilla, Hazelnut, Hot Chocolate and Raspberry Mocha) |
| | 26537.0001 | 1 | Decal, Flavors (Swiss Mocha, Mocha, Raspberry Vanilla, Irish Creme, Coffee and Original) |
| | 26537.0003 | 1 | Decal, Flavors (White Chocolate, Cinnamon Vanilla Nut, Decaf, Regular, French Vanilla and Hot Chocolate) |
| | 26537.0039 | 1 | Decal, Iced Coffee Flavors (Espresso Latte, Mocha Latte, Colombian, Dark Roast, Raspberry Coffee, Hazelnut Coffee, French Vanilla Latte, Caramel Latte, Chai Tea Latte, Horchatta) |
| 40 | 40001.1000 | - | Kit, Switch Bezel (Includes 2 red and 3 blue bezels to indicate all hot or all cold beverages) |
| 41 | 42609.0000 | 1 | Wiring Harness, LED to CBA (Doors with LED Lighting) |
| | 42609.0001 | 1 | Wiring Harness, LED to LED (Doors with LED Lighting) |

* Indicates the part number listed is for reference only. See DESCRIPTION for possible service replacement.



Models w/Flourescent Lighting



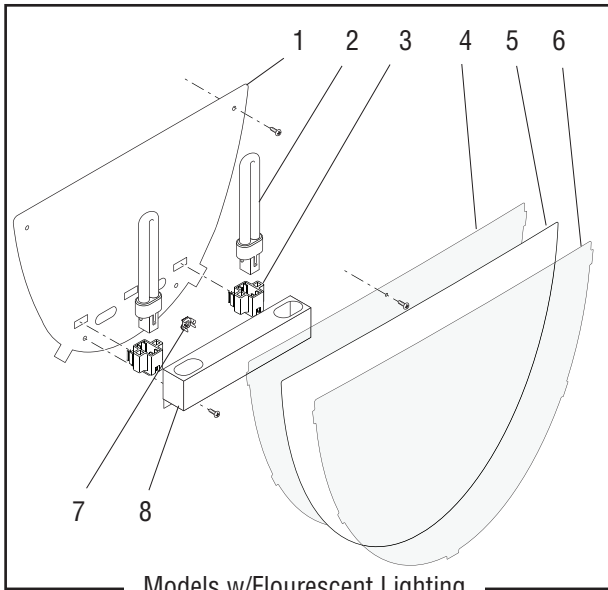
**DOOR, LAMP, DISPENSE SWITCHES AND PANELS
(TOP HINGED DOORS)**

| ITEM | PART NO. | QTY. | DESCRIPTION |
|------|--|-------------|---|
| 1 | 36656.0003 44224.0000 | 1 4 | Panel, Lamp (Doors with Fluorescent Lighting) Screw, Pan Head Plastite #6 x .375" |
| 2 | 32806.0000 | 2 | Lamp, Fluorescent - 7 Watts (Doors with Fluorescent Lighting) |
| 3 | 32807.0001 | 2 | Lamp Holder, Fluorescent (Doors with Fluorescent Lighting) |
| 4 | 36650.0000 02336.0000 | 1 2 | Lens, Fixed Screw, Truss Head #4-40 x .375" |
| 5 | 36768.0000 36768.0005 | 1 1 | Display, Graphics Display, Iced Coffee Graphics |
| 6 | 36662.0000 36650.0001 | 1 1 | Lens, Removable (Doors with Fluorescent Lighting) Lens, Removable (Doors with LED Lighting) |
| 7 | 28335.0000 | 1 | Clip, Ground (Doors with Fluorescent Lighting) |
| 8 | 40032.0002 | 1 | Bracket (Doors with Fluorescent Lighting) |
| 9 | 43514.0001 41923.0000 41921.0000 | 2 8 8 | Hinge Screw, Pan Head BLK .25-20 x Washer |
| 10 | 36244.0000 01360.0002 | 2 2 | Plug, Door Hinge Screw, Pan Head Plascrew #6 - 32 x .375" |
| 11 | 37096.0003 | 1 | Door |
| 12 | 32863.1000 28095.0000 | 1 1 | Keylock W/Keys, Door (Not used on models without door locks) Key Set |
| 13 | 36231.0000 | 1 | Membrane Switch |
| 14 | 38923.0001* | 1 | Plate, Switch |
| 15 | 28296.0002 | 5 | Switch, Dispense |
| 16 | 00669.0004 | 1 | Plug, .75" x .625" hole (One additional used on models without door locks) |
| 17 | 38832.1000 44224.0000 | 1 4 | Circuit Board, Display Screw, Pan Head Plastite #6 x .375" |
| 18 | 37013.0000 | 1 | Cover, LCD Door Lens |
| 19 | 36734.0000 44224.0000 | 1 2 | Bracket, Inner Panel Screw, Pan Head Plastite #6 x .375" |
| 20 | 41564.0001 44224.0000 | 1 8 | Panel, Door - Upper (Includes item 21) Screw, Pan Head Plastite #6 x .375" |
| 21 | 37254.0003 | 1 | Decal, Cleaning |
| 22 | 36659.0002 01311.0000 01311.001 | 1 2 1 | Panel, Door - Lower Screw, Truss Head #8-32 x .25" Screw, Truss Head Locking #8-32 x .25" |
| 23 | 42487.0000 | 2 | Gas Spring |
| 24 | 44095.0000 | 4 | Shim |

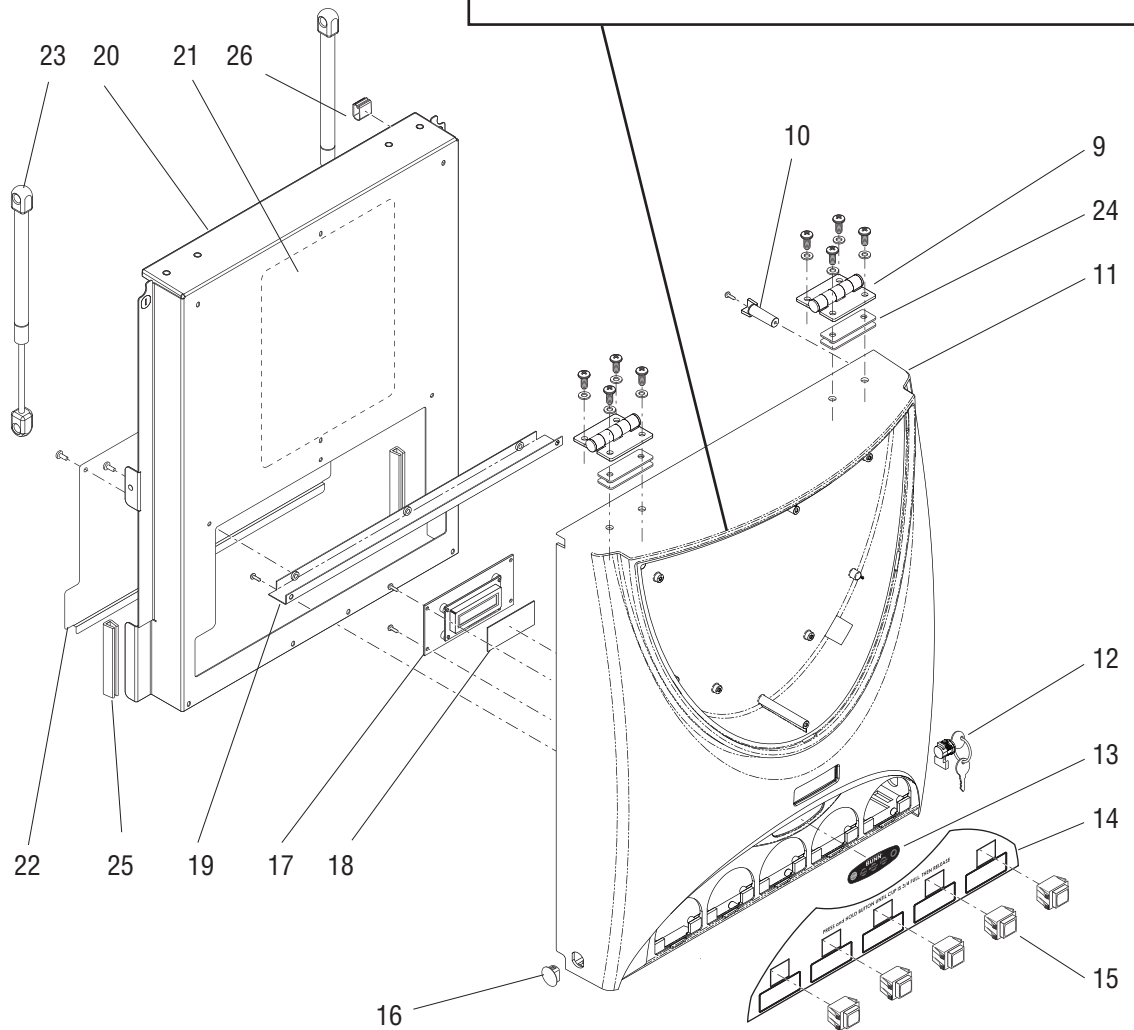
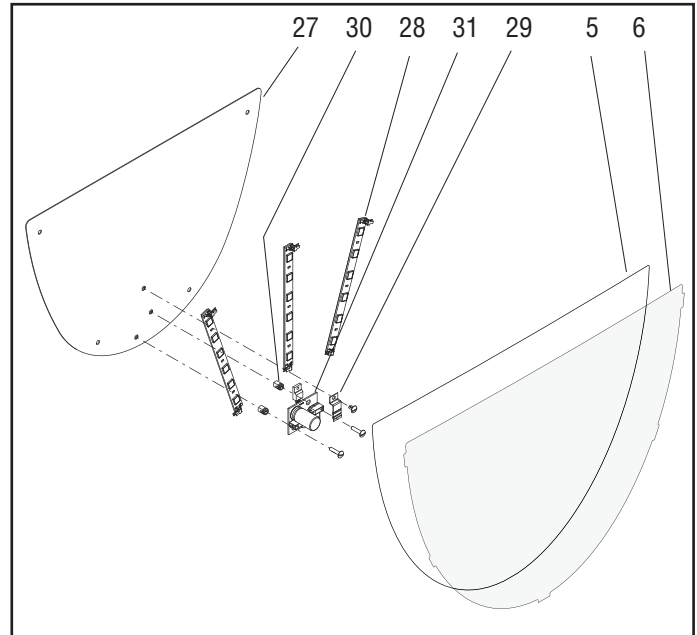
(Continued)

* Indicates the part number listed is for reference only. See DESCRIPTION for possible service replacement.

(Continued)



Models w/Flourescent Lighting



P4218.40

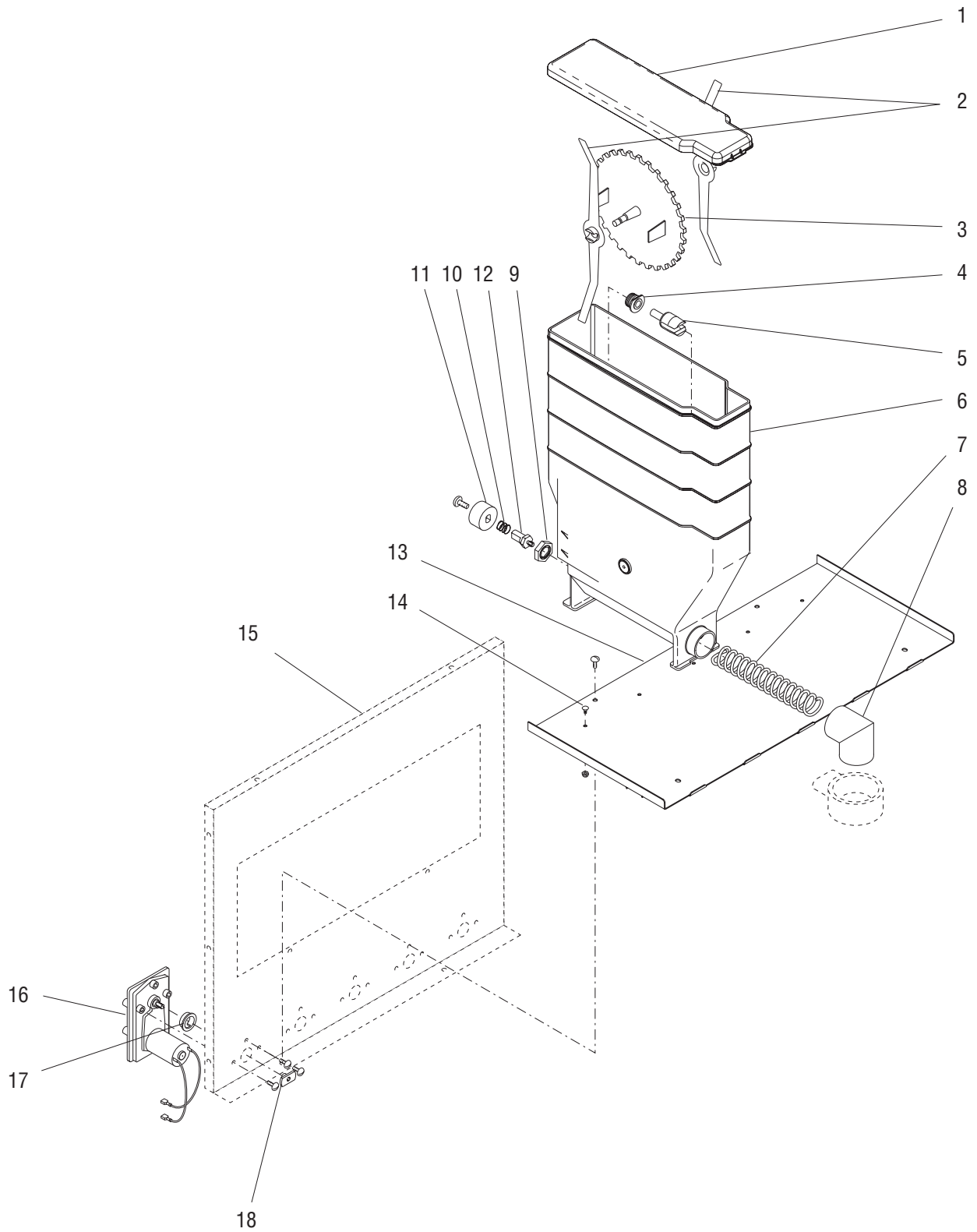
DOOR, LAMP, DISPENSE SWITCHES AND PANELS (TOP HINGED DOORS)

| ITEM | PART NO. | QTY. | DESCRIPTION |
|------|-------------|------|--|
| 25 | 02434.0005* | 2 | Gasket, U-channel 3.5" (order item 37) |
| 26 | 35260.0000 | 2 | Cable Mount |
| 27 | 46324.0001 | 1 | Panel, Lamp (Doors with LED Lighting) |
| | 01360.0002 | 4 | Screw, Pan Head Plascrew #6 - 32 x .375" |
| 28 | 42593.0000 | 3 | CBA, 6 LED (Doors with LED Lighting) |
| 29 | 41244.0000 | 1 | Clip (Doors with LED Lighting) |
| | 01308.0002 | 1 | Screw, Truss Head 6-32 x .25" Lkg |
| 30 | 29081.0005 | 2 | Spacer |
| 31 | 48005.0001 | 1 | CBA, Backlight Regulator (Doors with LED Lighting) |
| | 02367.0002 | 2 | Screw, Truss Head 6-32 x .62" Lkg |

NOTE: The following items are not illustrated

| | | | |
|----|------------|---|--|
| 32 | 00707.0001 | 2 | Bushing, Strain Relief (Doors with Fluorescent Lighting) |
| | 47555.0000 | 2 | Bushing, Strain Relief (Doors with LED Lighting) |
| 33 | 36888.0002 | 1 | Wiring Harness, Door Interconnect (Doors with Fluorescent Lighting) |
| | 47311.0001 | 1 | Wiring Harness, Door Interconnect (Doors with LED Lighting) |
| 34 | 36887.0003 | 1 | Wiring Harness, Backlight (Doors with Fluorescent Lighting) |
| 35 | 26537.0000 | 1 | Decal, Flavors (Almond Amaretto, Cappuccino, French Vanilla, Hazelnut, Hot Chocolate and Raspberry Mocha) |
| | 26537.0001 | 1 | Decal, Flavors (Swiss Mocha, Mocha, Raspberry Vanilla, Irish Creme, Coffee and Original) |
| | 26537.0003 | 1 | Decal, Flavors (White Chocolate, Cinnamon Vanilla Nut, Decaf, Regular, French Vanilla and Hot Chocolate) |
| | 26537.0039 | 1 | Decal, Iced Coffee Flavors (Espresso Latte, Mocha Latte, Colombian, Dark Roast, Raspberry Coffee, Hazelnut Coffee, French Vanilla Latte, Caramel Latte, Chai Tea Latte, Horchatta) |
| 36 | 42596.0001 | 1 | Cable Wrap, Door Interconnect Harness |
| 37 | 02434.1000 | - | Gasket, U-Channel - 18" LG |
| | 02434.1001 | - | Gasket, U-Channel - 36" LG |
| 41 | 42609.0000 | 1 | Wiring Harness, LED to CBA (Doors with LED Lighting) |
| | 42609.0001 | 1 | Wiring Harness, LED to LED (Doors with LED Lighting) |

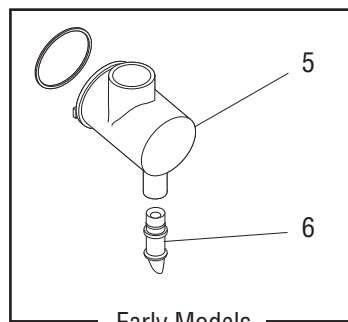
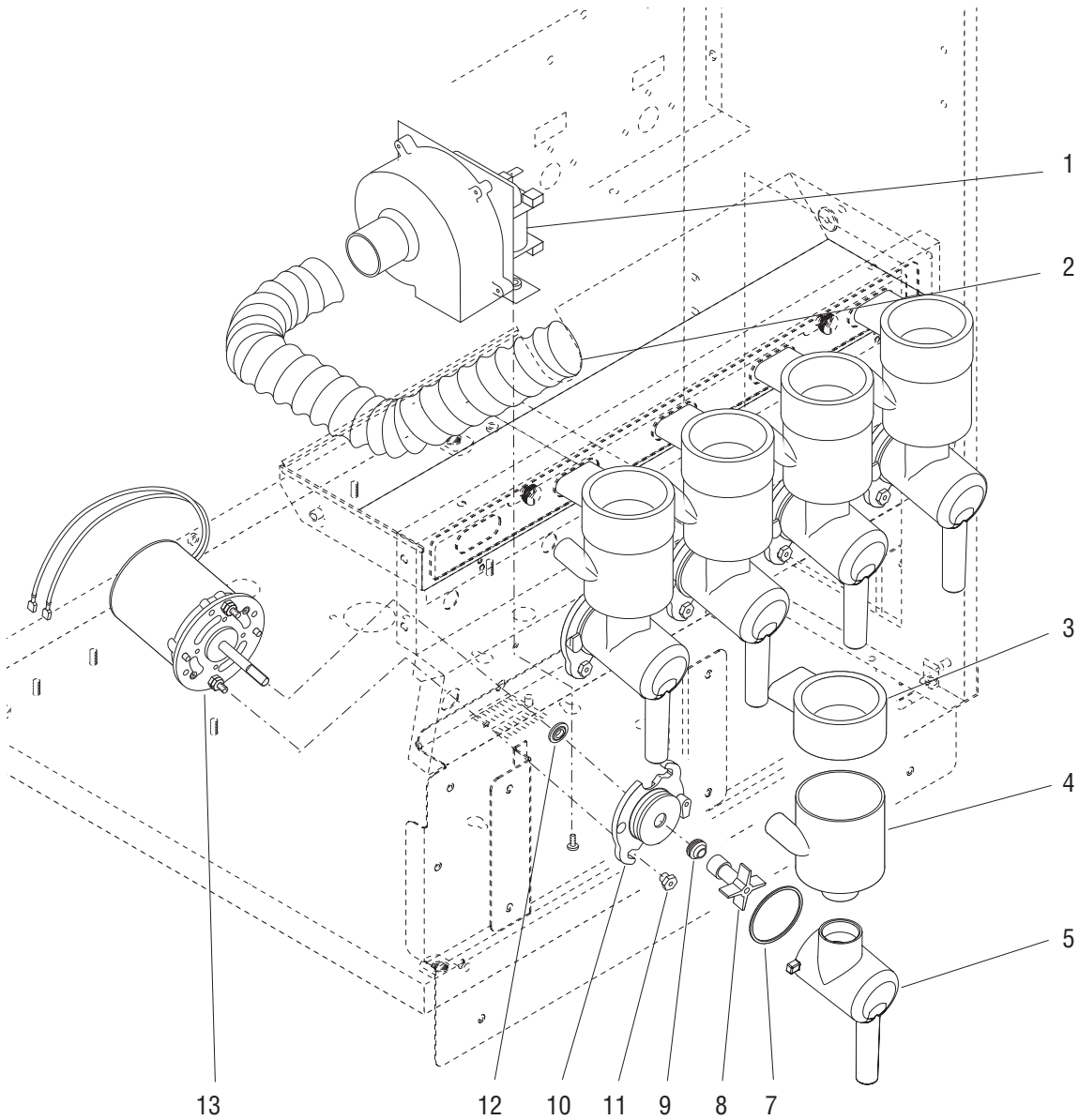
* Indicates the part number listed is for reference only. See DESCRIPTION for possible service replacement.



AUGER DRIVE AND HOPPER ASSEMBLY

| ITEM | PART NO. | QTY. | DESCRIPTION |
|------|------------|------|---|
| - | 37010.1001 | - | Hopper Assy (Includes one each of items 1-12) |
| 1 | 36653.0001 | 5 | Lid, Hopper |
| 2 | 32337.0000 | 10 | Mixing Blade |
| 3 | 32386.0001 | 5 | Disk, Agitator (30 Tooth) |
| 4 | 28067.0000 | 5 | Bushing, Auger Drive Shaft |
| 5 | 26940.0002 | 5 | Shaft, Auger Drive |
| 6 | 37011.0001 | 5 | Hopper |
| 7 | 39442.0000 | 5 | Auger, Wire (use w/30-tooth Disk) |
| 8 | 25903.0000 | 5 | Elbow, Ejector |
| 9 | 25743.0000 | 5 | Locknut |
| 10 | 36774.0000 | 5 | Spring, Hopper Coupling |
| 11 | 36770.0000 | 5 | Coupling, Auger Drive |
| | 01326.0002 | 5 | Screw, Truss Head #10-32 x .25" |
| 12 | 37539.1000 | 5 | Shaft Kit, Auger Drive (Includes 01326.0002 Screw) |
| 13 | 36766.0000 | 1 | Panel, Hopper Support |
| | 01311.0000 | 4 | Screw, Truss Head #8-32 x .25" |
| 14 | 20960.0000 | 5 | Screw, Shoulder #6-32 x .375" |
| | 00991.0002 | 5 | Nut, Elastic Lock #6-32 |
| 15 | ----- | - | See COVERS, PANELS & DRIP TRAYS |
| 16 | 37037.0001 | 5 | Gearmotor Assy, Auger (Each includes items 17 and 18) |
| | 01311.0000 | 15 | Screw, Truss Head #8-32 x .25" |
| 17 | 26401.0000 | 1 | Dust Seal, Hopper Motor |
| 18 | 36773.0000 | 1 | Plate, Auger Drive |
| 19 | 35260.0000 | 3 | Cable Mount, Adhesive (Not Illustrated) |

* Indicates the part number listed is for reference only. See DESCRIPTION for possible service replacement.

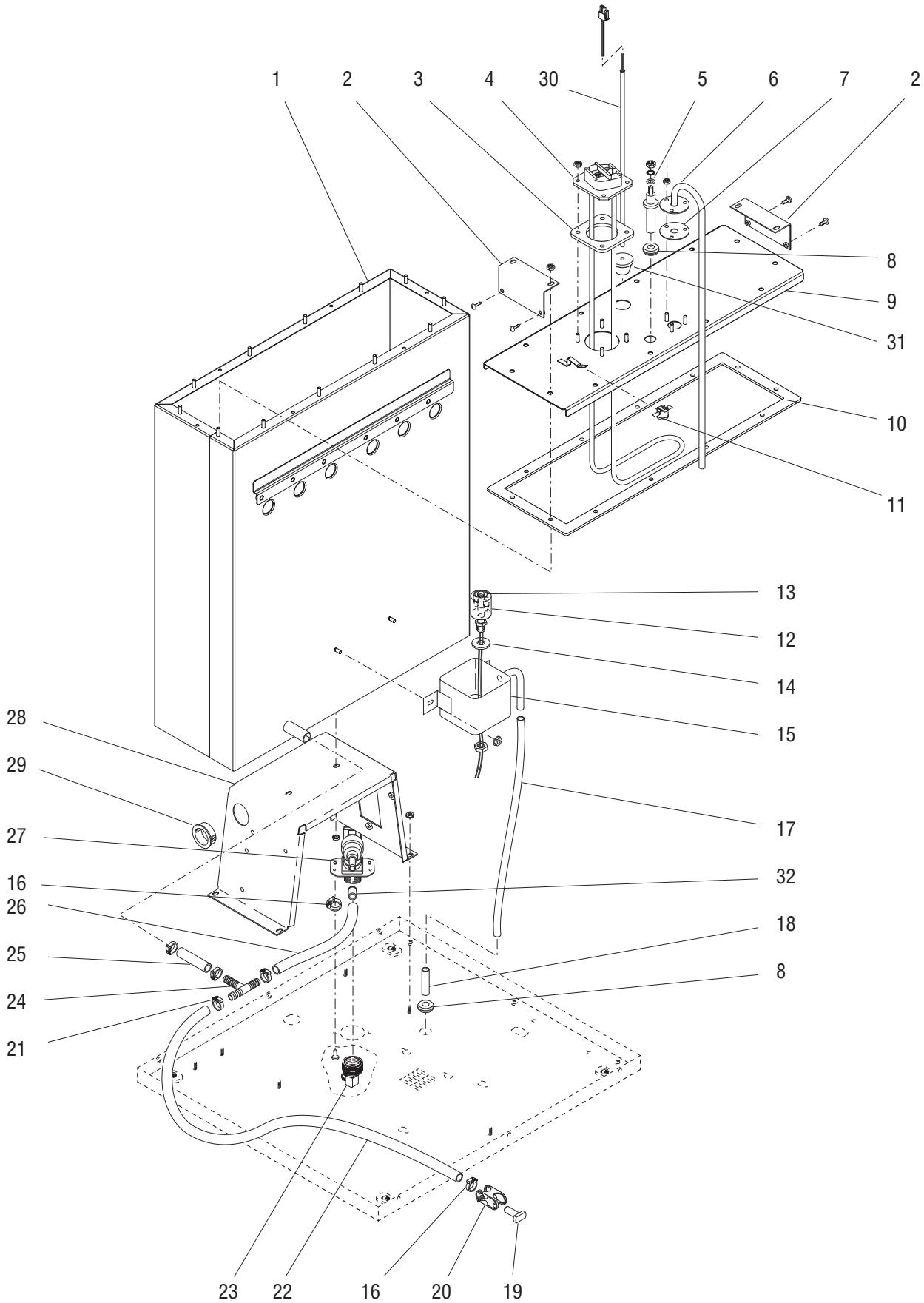


Early Models

MIXING/WHIPPER CHAMBERS AND DRIVE MOTOR

| ITEM | PART NO. | QTY. | DESCRIPTION |
|------|-------------|------|---|
| 1 | 28295.0000 | 1 | Fan & Bracket Assembly 120V |
| | 01311.0001 | 2 | Screw, Truss Head - Locking #8-32 x .25" |
| 2 | 28297.0001 | 1 | Hose, Vacuum |
| 3 | 25732.0000 | 5 | Steam Collector |
| 4 | 25733.0003 | 5 | Mixing Chamber |
| 5 | 25734.1000 | 5 | Whipper Chamber (One Piece) |
| | 25734.0002 | 5 | Whipper Chamber (IMIX -5SC) |
| 6 | 25736.0000* | 5 | Dispense Tip - Drink (0.34" ID) (Early Models)(Early Models. Order item 5) |
| | 28864.0004* | 5 | Dispense Tip - Soup (0.40" ID) (Early Models)(Early Models. Order item 5) |
| 7 | 24733.0010 | 5 | O-Ring |
| 8 | 25902.0000 | 5 | Frother |
| 9 | 26356.0000 | 5 | Seal, Shaft |
| | 26356.1000 | - | Kit, Shaft Seal (Includes 6 Seals) |
| 10 | 28866.0000 | 5 | Receptacle, Whipper Chamber |
| 11 | 28865.0000 | 10 | Nut, Whipper Motor/Receptacle Mounting |
| 12 | 28867.0000 | 5 | Slinger |
| 13 | 28428.1000 | 5 | Motor, Whipper 120V |
| 14 | 32906.0001 | - | Kit, Preventive Maintenance (Includes items 3 thru 10 and 25903.0000 Elbow) |

* Indicates the part number listed is for reference only. See DESCRIPTION for possible service replacement.



P3637

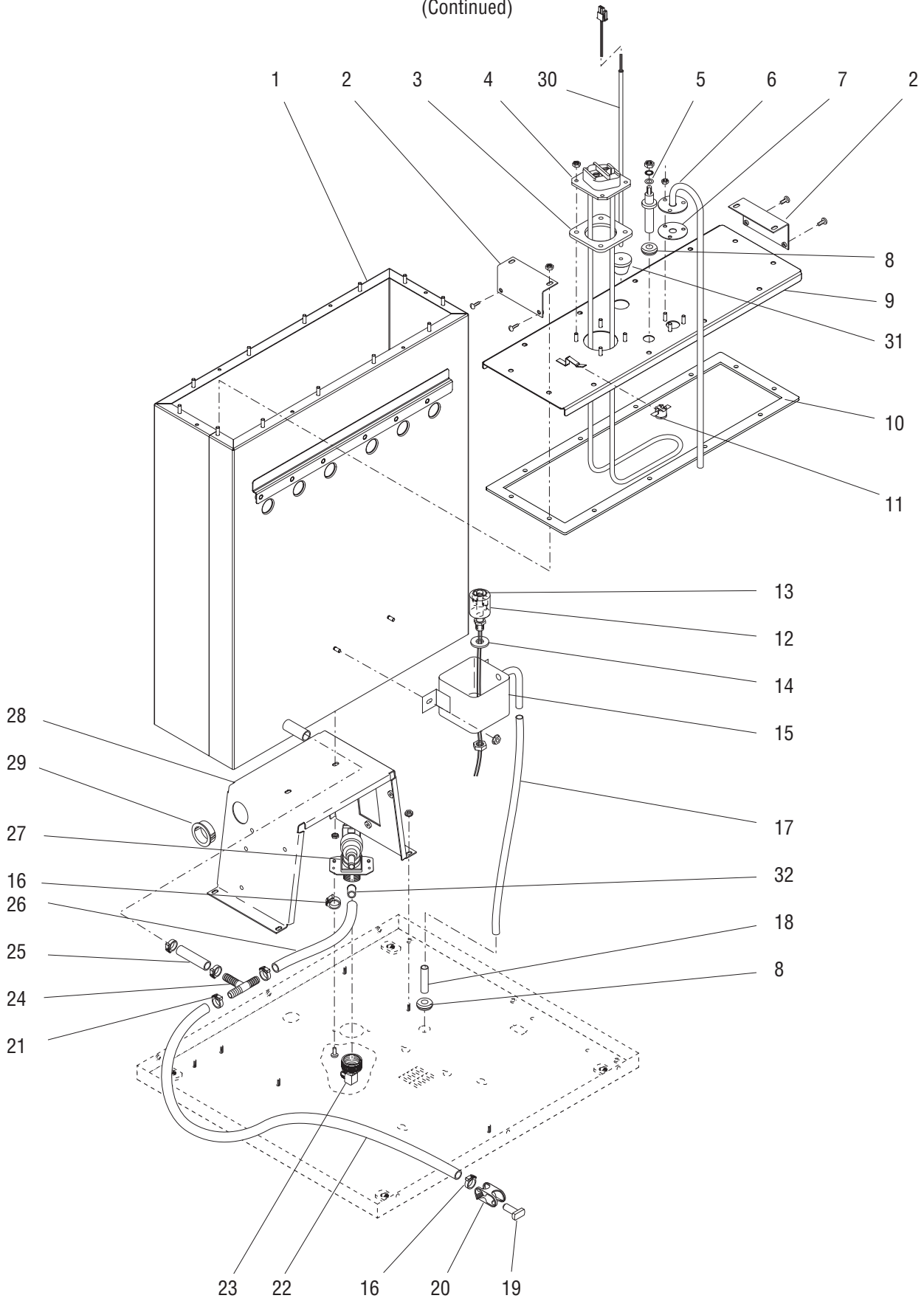
TANK, HEATER AND OVERFLOW PROTECTION

| ITEM | PART NO. | QTY. | DESCRIPTION |
|------|-------------|------|--|
| 1 | 39133.0000 | 1 | Tank (With copper overflow cup) |
| | 39133.1001 | 1 | Tank (With aluminum overflow cup) |
| | 00970.0000 | 2 | Nut, Keps #8-32 |
| 2 | 36226.0000 | 2 | Bracket, Tank Mounting Upper |
| | 00908.0000 | 4 | Nut #8-32 |
| | 01311.0001 | 4 | Screw, Truss Head - Locking #8-32 x .25" |
| 3 | 12398.0000 | 1 | Gasket, Tank Heater |
| 4 | 36741.1000 | 1 | Tank Heater Kit, 1700W 120V (Includes item 3) |
| | 00908.0000 | 4 | Nut, Hex #8-32 |
| 5 | 20936.1000 | 1 | Probe Kit (Includes items indented below) |
| | 20203.0100 | 1 | Lockwasher, Internal Tooth #8 |
| | 01501.0000 | 1 | Washer, Flat .164" ID x .375" OD |
| | 00908.0000 | 1 | Nut, #8-32 |
| 6 | 36220.0000 | 1 | Tube, Overflow |
| | 00908.0000 | 3 | Nut, Hex #8-32 |
| 7 | 05515.0000 | 1 | Gasket, Overflow Tube |
| 8 | 02536.0000 | 2 | Grommet, .375" I.D. |
| 9 | 35940.0003 | 1 | Lid, Tank |
| | 00908.0000 | 8 | Nut, Hex #8-32 |
| 10 | 35937.0000 | 1 | Gasket, Rounded Tank Lid (Early Models) |
| | 35937.0002 | 1 | Gasket, Squared Tank Lid (Late Models) |
| 11 | 29329.1000 | 1 | Thermostat, Limit |
| 12 | 03803.0002 | 1 | Switch Assy, Liquid Level (Includes items 13 & 14) |
| | 00946.0000 | 1 | Nut, Hex .125" FPT |
| 13 | 03807.0000 | 1 | Clip, Spring |
| 14 | 03633.0000 | 1 | Gasket, Float Switch |
| 15 | 22728.0000 | 1 | Overflow Cup (Copper) |
| | 00970.0000 | 2 | Nut, Keps #8-32 |
| | 41259.1003 | 1 | Overflow Cup (Aluminum) |
| | 41266.0000 | 1 | Film |
| | 41280.0001 | 1 | Elbow |
| | 04797.0000 | 1 | Washer |
| 16 | 12422.0001 | 2 | Clamp, Hose .59"/.66" ID |
| 17 | 28526.0028* | 1 | Tube, Silicone .312" ID x 9.5" (Order item 34) |
| 18 | 21801.0015 | 1 | Tube .375" O.D. x 1.50" LG |
| 19 | 34392.0000 | 1 | Plug, Hose .375" ID |
| 20 | 11630.0001 | 1 | Clamp, Shut Off |
| 21 | 12422.0005 | 4 | Clamp, Hose .62"/.71" ID |

(continued)

* Indicates the part number listed is for reference only. See DESCRIPTION for possible service replacement.

(Continued)

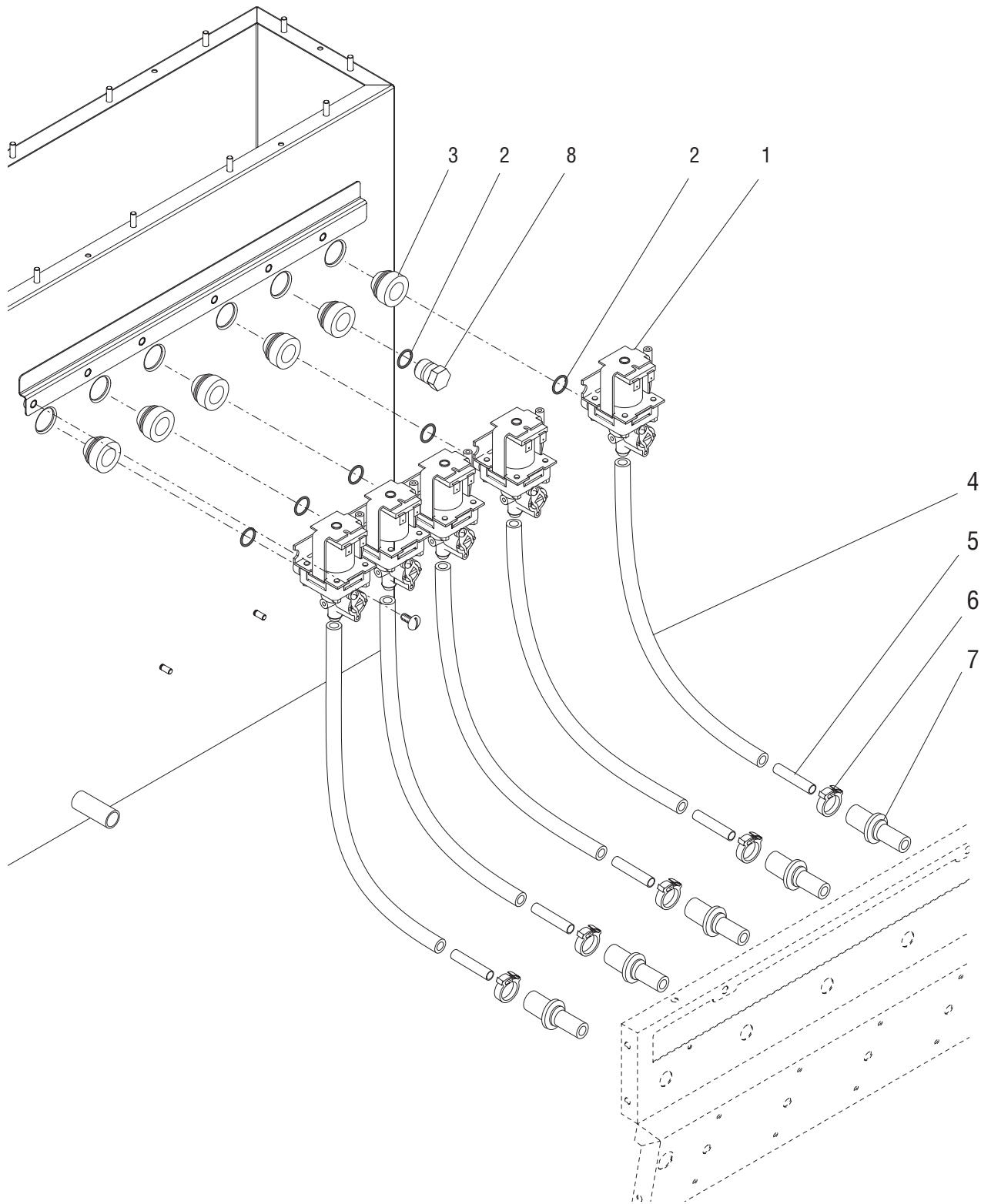


TANK, HEATER AND OVERFLOW PROTECTION

| ITEM | PART NO. | QTY. | DESCRIPTION |
|------|-------------|------|---|
| 22 | 20976.0056* | 1 | Tube, Silicone .375" ID x 28.0" (Order item 35) |
| 23 | 37297.0006 | 1 | Elbow .25" Flare x .75" FTHRD |
| 24 | 38948.0000 | 1 | Tee .50" Barb |
| 25 | 20976.0017* | 1 | Tube, Silicone .375" ID x 2.0" (Order item 35) |
| 26 | 20976.0055* | 1 | Tube, Silicone .375" ID x 9.0" (Order item 35) |
| 27 | 36233.1000 | 1 | Valve, Water Inlet (See item 38) |
| | 32283.0000 | 2 | Screw, Pan Head M4 x 6MM |
| 28 | 35942.0000* | 1 | Bracket, Tank Mounting Lower |
| | 00970.0000 | 4 | Nut, Keps #8-32 |
| 29 | 01592.0001 | 1 | Bushing, Snap 1.188" dia. |
| 30 | 28891.1008 | 1 | Probe, Temp./Dry Plug |
| 31 | 33801.0003 | 1 | Grommet |
| 32 | 36378.0001 | 1 | Valve, Check 2.5 psi |
| 33 | 36222.0000 | 1 | Insulation, Tank |
| 34 | 28526.1000 | - | Tube, Silicone .312" ID x .562" OD x 12" |
| | 28526.1001 | - | Tube, Silicone .312" ID x .562" OD x 36" |
| | 28526.1002 | - | Tube, Silicone .312" ID x .562" OD x 60" |
| | 28526.1003 | - | Tube, Silicone .312" ID x .562" OD x 120" |
| 35 | 20976.1000 | - | Tube, Silicone, .375" ID x .50" OD x 12.0" |
| | 20976.1001 | - | Tube, Silicone, .375" ID x .50" OD x 36.0" |
| | 20976.1002 | - | Tube, Silicone, .375" ID x .50" OD x 120.0" |
| 36 | 35946.0000 | 1 | Baffle |
| 37 | 34572.0000 | 2 | Panel, Baffle Insert |
| | 34765.0000 | 4 | Nut, Flanged #10-32 |
| 38 | 43644.0000 | - | Kit, Valve Rebuild |

Not Illustrated

* Indicates the part number listed is for reference only. See DESCRIPTION for possible service replacement.



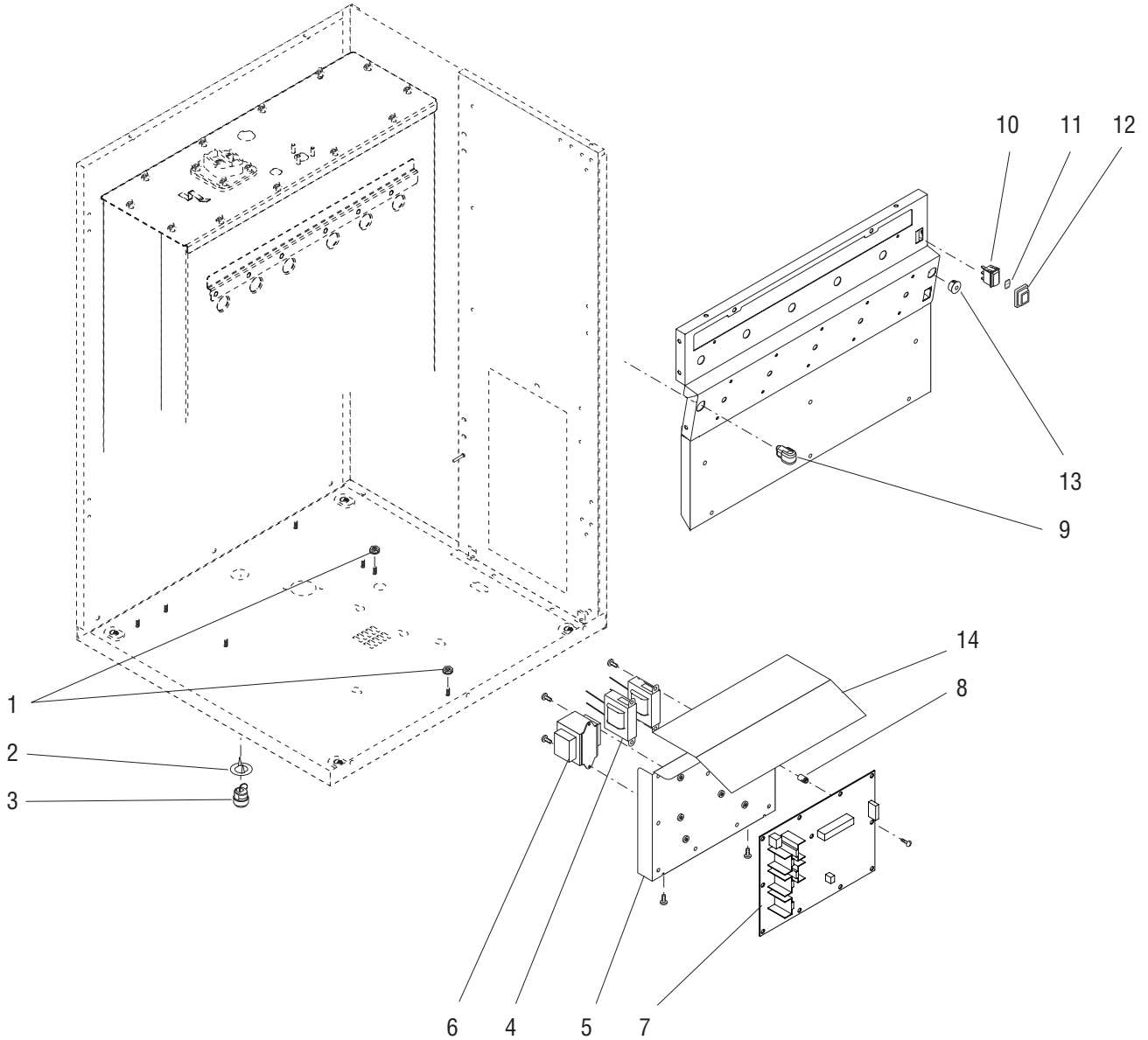
P3538

DISPENSE VALVES AND LINES

| ITEM | PART NO. | QTY. | DESCRIPTION |
|------|-------------|------|--|
| 1 | 39285.1001 | 5 | Valve, Liquid Dispense 120V (Includes item 2) |
| | 01326.0000 | 5 | Screw, Truss Head #10-32 x .25" |
| 2 | 24733.0011 | 6 | O-Ring |
| 3 | 37970.0000 | 6 | Grommet, Valve Mounting |
| 4 | 28526.0027* | 5 | Tube, Silicone .312" ID x 16.5" (Order item 9) |
| 5 | 21801.0015 | 5 | Tube .375" OD x 1.50" |
| 6 | 12422.0001 | 5 | Clamp, Hose .59"/.66" ID |
| 7 | 25803.0000 | 5 | Water Inlet, Mixing Chamber |
| 8 | 26369.1000 | 1 | Plug Assy. (Includes item 2) |
| 9 | 28526.1001 | - | Tube, Silicone .312" I.D. x .438" O.D. x 36" |
| | 28526.1002 | - | Tube, Silicone .312" I.D. x .438" O.D. x 60" |
| | 28526.1003 | - | Tube, Silicone .312" I.D. x .438" O.D. x 120" |
| 10 | 45964.1000 | - | Repair Kit, Dispense Valve (Includes Spring, Plunger, and Diaphragm) |

} Not
Illustrated

* Indicates the part number listed is for reference only. See DESCRIPTION for possible service replacement.



ELECTRICAL CONTROLS

| ITEM | PART NO. | QTY. | DESCRIPTION |
|------|------------|------|-------------------------------------|
| 1 | 00970.0000 | 2 | Nut, Keps #8-32 - Power Cord Ground |
| 2 | 00715.0000 | 1 | Adapter Washer, Strain Relief |
| 3 | 00713.0000 | 1 | Bushing, Strain Relief |
| 4 | 28327.0002 | 2 | Ballast 120V |
| | 39642.0000 | 2 | Ballast 230V |
| | 01382.0000 | 4 | Screw, Truss Head #6-32 x .38" |
| 5 | 38853.0000 | 1 | Bracket |
| | 01311.0001 | 2 | Screw, Locking #8-32 x .25" |
| 6 | 34829.0001 | 1 | Transformer |
| | 01382.0000 | 2 | Screw, Truss Head #6-32 x .38" |
| 7 | 40280.1000 | 1 | Control Board |
| | 01382.0008 | 11 | Screw, Truss Head #6-32 x 1.00" |
| 8 | 29081.0004 | 11 | Spacer |
| 9 | 26444.0000 | 1 | Bushing, Strain Relief |
| 10 | 27437.0001 | 1 | Switch, Normal/Program/Rinse |
| 11 | 37192.0000 | 1 | Decal, Normal/Program/Rinse |
| 12 | 34390.0000 | 1 | Cap, Switch |
| 13 | 00669.0005 | 1 | Plug |
| 14 | 46640.0000 | 1 | Drip Shield |

The following items are not illustrated

| | | | |
|----|------------|---|---|
| 15 | 20630.0008 | 1 | Power Cord |
| 16 | 38941.0000 | 1 | Wiring Harness, Switches |
| 17 | 38942.0000 | 1 | Wiring Harness, Auger Motors |
| 18 | 36888.0000 | 1 | Wiring Harness, Door Interconnect |
| 19 | 38940.0005 | 1 | Wiring Harness, Main 120V (Doors with Flourescent Lighting) |
| | 38940.0025 | 1 | Wiring Harness, Main 120V (Doors with LED Lighting) |
| | 38940.0007 | 1 | Wiring Harness, Main 230V (Doors with Flourescent Lighting) |
| | 00908.0000 | 1 | Nut, Hex #8-32 (Harness Grounding) |
| | 01511.0000 | 1 | lockwasher, External-tooth #8 |
| 20 | 46293.0001 | 1 | Wiring Harness, Transformer (Doors with LED Lighting) |

* Indicates the part number listed is for reference only. See DESCRIPTION for possible service replacement.

NUMERICAL INDEX

| PART NO. | PAGE NO. | PART NO. | PAGE NO. | PART NO. | PAGE NO. | PART NO. | PAGE NO. |
|-----------------|-------------|-----------------|----------|-----------------|----------|-----------------|----------|
| 00656.0001..... | 7 | 20976.0017..... | 23 | 32283.0000..... | 23 | 36648.0000..... | 5 |
| 00619.0002..... | 7 | 20976.0055..... | 23 | 32337.0000..... | 17 | 36650.0000..... | 9,13 |
| 00669.0004..... | 9,13 | 20976.0056..... | 23 | 32386.0001..... | 17 | 36650.0001..... | 9,13 |
| 00669.0005..... | 5,27 | 20976.1000..... | 23 | 32806.0000..... | 9,13 | 36653.0001..... | 17 |
| 00707.0001..... | 15 | 20976.1001..... | 23 | 32807.0001..... | 9,13 | 36656.0001..... | 9 |
| 00713.0000..... | 27 | 20976.1002..... | 23 | 32863.1000..... | 9,13 | 36656.0003..... | 13 |
| 00715.0000..... | 27 | 21436.0000..... | 7 | 32906.0001..... | 19 | 36658.0000..... | 9 |
| 00824.0002..... | 7 | 21801.0015..... | 21,25 | 33801.0003..... | 23 | 36659.0000..... | 11 |
| 00831.0000..... | 7 | 22728.0000..... | 21 | 34362.0000..... | 9 | 36659.0002..... | 11,13 |
| 00908.0000..... | 21,27 | 24457.0002..... | 9 | 34390.0000..... | 27 | 36661.0000..... | 9 |
| 00946.0000..... | 21 | 24733.0010..... | 19 | 34392.0000..... | 21 | 36661.0002..... | 9 |
| 00970.0000..... | 21,23,27 | 24733.0011..... | 25 | 34572.0000..... | 23 | 36662.0000..... | 9,13 |
| 00991.0002..... | 17 | 25732.0000..... | 19 | 34666.0000..... | 5 | 36667.1000..... | 9 |
| 01308.0002..... | 11,15 | 25733.0003..... | 19 | 34667.0000..... | 11 | 36667.1002..... | 9 |
| 01311.0000..... | 5,7,9,11,17 | 25734.0002..... | 19 | 34765.0000..... | 23 | 36669.0000..... | 11 |
| 01311.0001..... | 5,7,9,11 | 25734.1000..... | 19 | 34829.0001..... | 27 | 36670.0000..... | 7 |
| 01311.0001..... | 13,19,21,27 | 25736.0000..... | 19 | 34998.0000..... | 5 | 36734.0000..... | 9,13 |
| 01311.0003..... | 5,7 | 25743.0000..... | 17 | 35260.0000..... | 15,17 | 36739.0000..... | 7 |
| 01317.0003..... | 5 | 25803.0000..... | 25 | 35912.0001..... | 5 | 36741.1000..... | 21 |
| 01326.0000..... | 25 | 25902.0000..... | 19 | 35915.1001..... | 5 | 36742.0000..... | 7 |
| 01326.0002..... | 17 | 25903.0000..... | 17 | 35916.1001..... | 5 | 36743.0000..... | 7 |
| 01360.0002..... | 9,11,15 | 26356.0000..... | 19 | 35924.0000..... | 7 | 36743.0001..... | 5 |
| 01382.0000..... | 27 | 26356.1000..... | 19 | 35925.1001..... | 7 | 36766.0000..... | 17 |
| 01382.0002..... | 5 | 26369.1000..... | 25 | 35926.0000..... | 5 | 36768.0000..... | 9,13 |
| 01382.0008..... | 27 | 26401.0000..... | 17 | 35927.0002..... | 5 | 36768.0005..... | 9,13 |
| 01403.0000..... | 11 | 26444.0000..... | 11,27 | 35927.0006..... | 5 | 36770.0000..... | 17 |
| 01501.0000..... | 21 | 26528.0000..... | 7 | 35929.0000..... | 5 | 36773.0000..... | 17 |
| 01509.0001..... | 5 | 26537.0000..... | 11,15 | 35929.0004..... | 5 | 36774.0000..... | 17 |
| 01511.0000..... | 27 | 26537.0001..... | 11,15 | 35937.0000..... | 21 | 36887.0001..... | 11 |
| 01526.0001..... | 7 | 26537.0003..... | 11,15 | 35937.0002..... | 21 | 36887.0003..... | 15 |
| 01592.0001..... | 23 | 26537.0039..... | 11,15 | 35940.0003..... | 21 | 36888.0000..... | 11,27 |
| 02336.0000..... | 5 | 26940.0002..... | 17 | 35942.0000..... | 23 | 36888.0002..... | 15 |
| 02336.0000..... | 7,9,11,13 | 27437.0001..... | 27 | 35946.0000..... | 23 | 36896.0000..... | 7 |
| 02367.0002..... | 11,15 | 28067.0000..... | 17 | 36149.0000..... | 9 | 37010.1001..... | 17 |
| 02434.0005..... | 15 | 28095.0000..... | 9,13 | 36220.0000..... | 21 | 37011.0001..... | 17 |
| 02434.0008..... | 7 | 28295.0000..... | 19 | 36222.0000..... | 23 | 37013.0000..... | 9,13 |
| 02434.0018..... | 7 | 28296.0002..... | 9,13 | 36224.1002..... | 7 | 37037.0001..... | 17 |
| 02434.1000..... | 7,15 | 28297.0001..... | 19 | 36226.0000..... | 21 | 37065.0000..... | 7 |
| 02434.1001..... | 7,15 | 28327.0002..... | 27 | 36229.0002..... | 7 | 37096.0000..... | 9 |
| 02536.0000..... | 5,17 | 28335.0000..... | 13 | 36229.0003..... | 7 | 37096.0003..... | 13 |
| 03633.0000..... | 21 | 28328.0010..... | 5 | 36230.0002..... | 5 | 37180.1000..... | 5 |
| 03803.0002..... | 21 | 28428.1000..... | 19 | 36230.0003..... | 5 | 37192.0000..... | 27 |
| 03807.0000..... | 21 | 28526.0027..... | 25 | 36231.0000..... | 9,13 | 37254.0003..... | 9,13 |
| 03996.0000..... | 7 | 28526.0028..... | 21 | 36232.0000..... | 5 | 37297.0006..... | 23 |
| 04797.0000..... | 21 | 28526.1000..... | 23 | 36233.1000..... | 23 | 37539.1000..... | 17 |
| 05515.0000..... | 21 | 28526.1001..... | 23,25 | 36235.0000..... | 5 | 37881.0000..... | 7 |
| 11630.0001..... | 21 | 28526.1002..... | 23,25 | 36235.0002..... | 5 | 37970.0000..... | 25 |
| 12398.0000..... | 21 | 28526.1003..... | 23,25 | 36240.0001..... | 7 | 37988.0000..... | 5 |
| 12422.0001..... | 21,25 | 28864.0004..... | 19 | 36244.0000..... | 9,13 | 38345.0000..... | 7 |
| 12422.0005..... | 21 | 28865.0000..... | 19 | 36378.0001..... | 23 | 38832.1000..... | 9,13 |
| 13255.0003..... | 7 | 28866.0000..... | 19 | 36398.0000..... | 7 | 38853.0000..... | 27 |
| 20203.0100..... | 21 | 28867.0000..... | 19 | 36644.0000..... | 5 | 38923.0001..... | 13 |
| 20630.0008..... | 27 | 29081.0004..... | 27 | 36644.0001..... | 5 | 38935.0000..... | 5 |
| 20936.1000..... | 21 | 29081.0005..... | 11,15 | 36647.0000..... | 9 | 38940.0005..... | 27 |
| 20960.0000..... | 17 | 29329.1000..... | 21 | 36647.0001..... | 9 | 38940.0006..... | 27 |

NUMERICAL INDEX

| PART NO. | PAGE NO. | PART NO. | PAGE NO. | PART NO. | PAGE NO. | PART NO. | PAGE NO. |
|-----------------|----------|----------|----------|----------|----------|----------|----------|
| 38940.0025..... | 27 | | | | | | |
| 38941.0000..... | 27 | | | | | | |
| 38942.0000..... | 27 | | | | | | |
| 38948.0000..... | 23 | | | | | | |
| 38986.0000..... | 7 | | | | | | |
| 38986.0001..... | 7 | | | | | | |
| 38986.0013..... | 7 | | | | | | |
| 39038.0000..... | 11 | | | | | | |
| 39046.0000..... | 9 | | | | | | |
| 39085.0002..... | 23 | | | | | | |
| 39133.0000..... | 21 | | | | | | |
| 39133.1001..... | 21 | | | | | | |
| 39285.1001..... | 25 | | | | | | |
| 39442.0000..... | 17 | | | | | | |
| 39642.0000..... | 27 | | | | | | |
| 40001.1000..... | 11 | | | | | | |
| 40031.1000..... | 11 | | | | | | |
| 40031.1001..... | 11 | | | | | | |
| 40032.0002..... | 11 | | | | | | |
| 40280.1000..... | 27 | | | | | | |
| 41244.0000..... | 11,15 | | | | | | |
| 41259.1003..... | 21 | | | | | | |
| 41266.0000..... | 21 | | | | | | |
| 41280.0001..... | 21 | | | | | | |
| 41564.0001..... | 13 | | | | | | |
| 41921.0000..... | 13 | | | | | | |
| 41923.0000..... | 13 | | | | | | |
| 42487.0000..... | 13 | | | | | | |
| 42593.0000..... | 11,15 | | | | | | |
| 42596.0001..... | 15 | | | | | | |
| 42598.1001..... | 5 | | | | | | |
| 42609.0000..... | 11,15 | | | | | | |
| 42609.0001..... | 11,15 | | | | | | |
| 43514.0001..... | 13 | | | | | | |
| 43644.0000..... | 23 | | | | | | |
| 44095.0000..... | 13 | | | | | | |
| 44224.0000..... | 5,7,13 | | | | | | |
| 45964.1000..... | 25 | | | | | | |
| 46293.0001..... | 27 | | | | | | |
| 46324.0001..... | 11,15 | | | | | | |
| 46640.0000..... | 27 | | | | | | |
| 47311.0001..... | 11,15 | | | | | | |
| 47555.0000..... | 11,15 | | | | | | |
| 48005.0001..... | 11,15 | | | | | | |