



ITB
New Infusion Series®



ILLUSTRATED PARTS CATALOG

Designs, materials, weights, specifications, and dimensions for equipment or replacement parts are subject to change without notice.

BUNN-O-MATIC CORPORATION

POST OFFICE BOX 3227

SPRINGFIELD, ILLINOIS 62708-3227

PHONE: (217) 529-6601 FAX: (217) 529-6644

www.bunn.com

To ensure you have the latest revision of the Operating Manual, Illustrated Parts Catalog, Programming Manual, or Service Manual, please visit the Bunn-O-Matic website, at www.bunn.com. This is absolutely FREE, and the quickest way to obtain the latest catalog and manual updates. For Technical Service, contact Bunn-O-Matic Corporation at 1-800-286-6070.

BUNN-O-MATIC COMMERCIAL PRODUCT WARRANTY

Warranty statements and information can be found on our website. Please visit <https://commercial.bunn.com/support/warranty-lookup> for further details.

TABLE OF CONTENTS

Hood, Trunk, Base and Panels.....	4
Tank and Components.....	8
Dispense Valve and Sprayhead	10
Fill, Single Dilution & Tank Drain.....	12
Single Dilution w/Sweetener	16
Dual Dilution w/Sweetener	18
Electrical and Operating Controls.....	20
Funnels	24

To search this document electronically, press “control” + “F” (on P.C.) or “command” + “F” on Mac, then type in description or part number, press “enter”.

To order coffee filters, water filters, or other accessories, refer to Specification Sheets at www.bunn.com

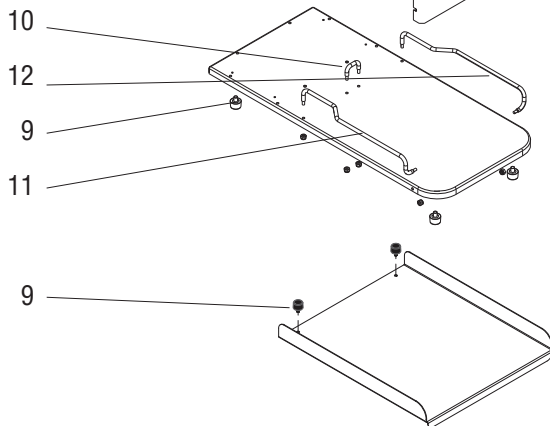
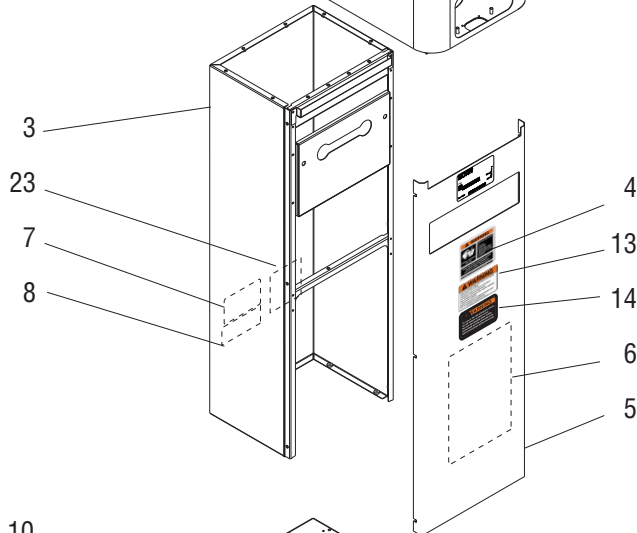
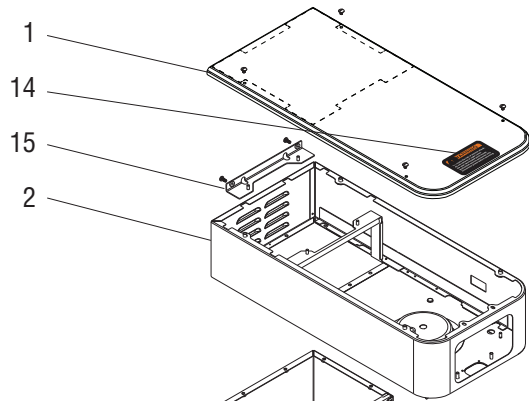
ITB	120 Volt Machine
ITB LP	120 Volt Low Profile Machine
ITB DDIL	120 Volt Machine With Dual Dillution
ITBA DDIL.....	230 Volt Machine With Dual Dillution

Fraction	Decimal		Fraction	Decimal
1/16	0.063		9/16	0.563
1/8	0.125		5/8	0.625
3/16	0.188		11/16	0.688
1/4	0.250		3/4	0.750
5/16	0.313		13/16	0.813
3/8	0.375		7/8	0.875
7/16	0.438		15/16	0.938
1/2	0.500		1	1.000

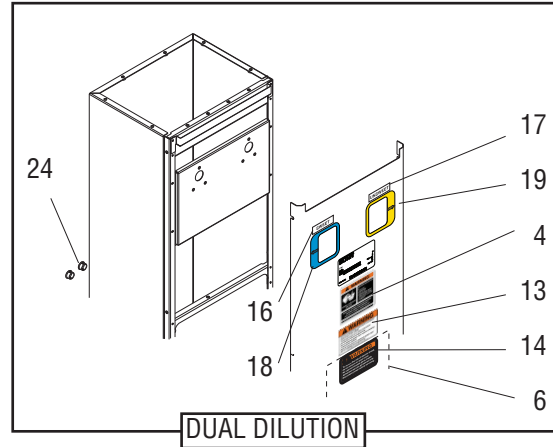


HOOD, TRUNK, BASE AND PANEL

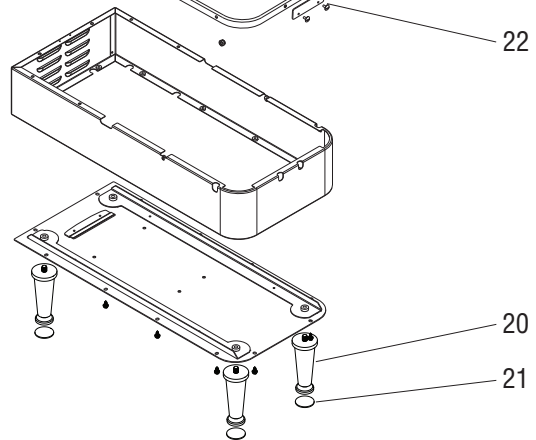
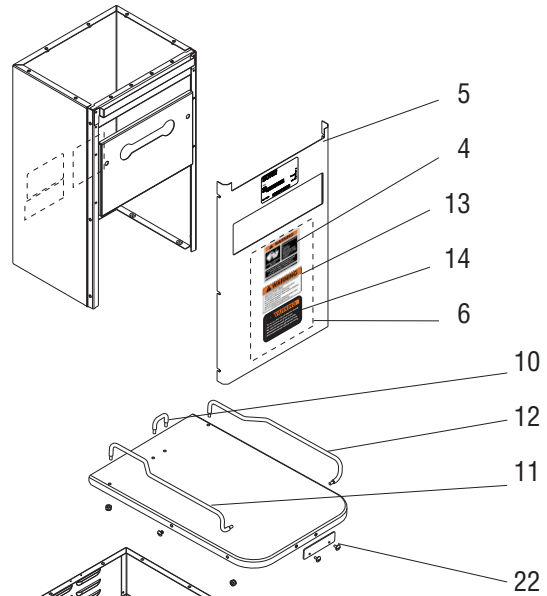
ITB SERIES



SINGLE DILUTION



DUAL DILUTION



LOW PROFILE

HOOD, TRUNK, BASE AND PANEL

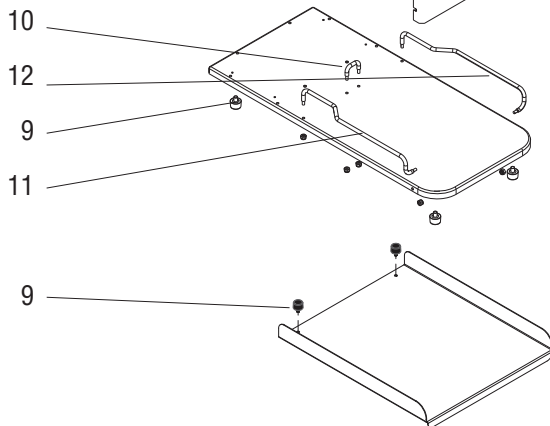
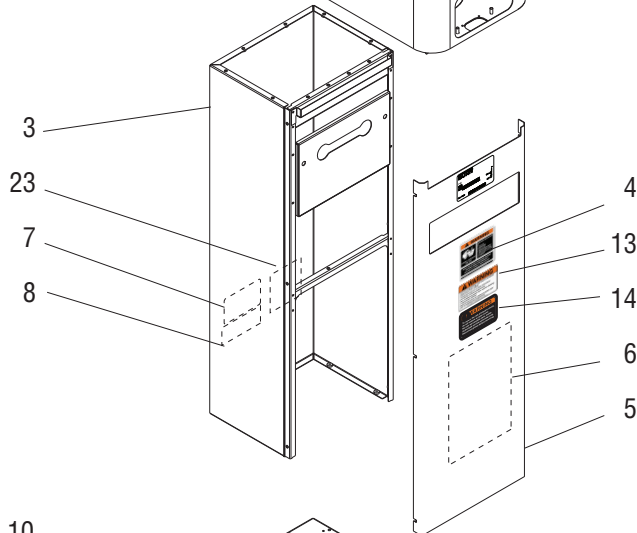
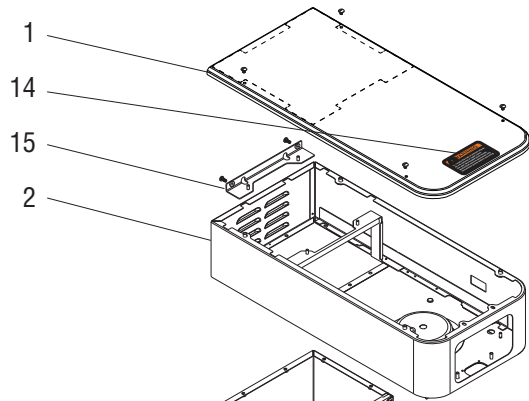
ITEM	PART NO.	QTY.	DESCRIPTION
1	44736.1025	1	Cover, Top (Includes items 24 & 25)
	01311.0004	4	Screw, Truss Head, Blk #6-32 x .25" Lkg.
2	52706.0007	1	Hood
	02308.0000	10	Screw, Pan Head #8-32 x .38"
3	52655.0006	1	Trunk w/Decals 29" Single Dilution (Includes items 7 & 8)
	52655.0019	1	Trunk w/Decals 29" Dual Dilution (Includes items 7 & 8)
	45860.1028	1	Trunk w/Decals (Low Profile Models) (Includes items 7 & 8)
	02308.0000	6	Screw, Pan Head #8-32 x .38"
4	00658.0000	1	Decal, Warning - Decanter/Funnel
5	52656.1002	1	Panel w/Decals, Front 29.0" (Single Dilution) (Includes items 4,13,14)
	52656.1010	1	Panel w/Decals, Front (Low Profile) (Includes items 4,13,14)
	52656.1012	1	Panel w/Decals, Front (Dual Dilution) (Includes items 4,13,14,16-19)
	01315.0000	6	Screw, Truss Head #8-32 x .375"
6	48835.0003	1	Schematic, ITB (Single Dilution & Dual Dilution)
	48835.0002	1	Schematic, ITB (Dual Dilution/Sweetener)
	48835.0004	1	Schematic, ITBA (Dual Dilution/Sweetener)
7	00986.0000	1	Decal, Warning - Electrical
8	00656.0001	1	Decal, Comply to Plumbing Code
9	25137.0001	6	Foot
	24600.0000	-	Foot Kit, Set of 4
10	36412.0000	1	Rail, Stop
	00991.0000	2	Nut, Keps #8-32
11	36461.0000	1	Guide Rail, Left
	00991.0000	2	Nut, Elastic Lock #8-32
12	36462.0000	1	Guide Rail, Right
	00991.0000	2	Nut, Elastic Lock #8-32
13	39175.0000	1	Decal, Warning Overlay Graphic
14	37881.0000	2	Decal, No Serviceable Parts
15	36608.0003	1	Bracket, Tank Support
	02308.0000	2	Screw, Pan Head #8-32 x .38"
16	38589.0000	1	Decal, Sweet
17	38589.0001	1	Decal, Unsweet
18	41948.0004	1	Decal, Nozzle Left
19	41948.0005	1	Decal, Nozzle Right

CONTINUED

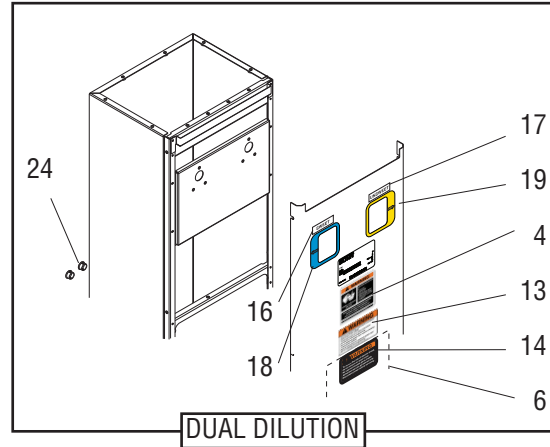


HOOD, TRUNK, BASE AND PANEL

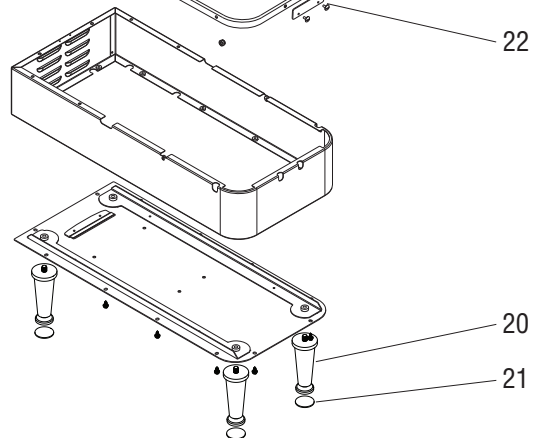
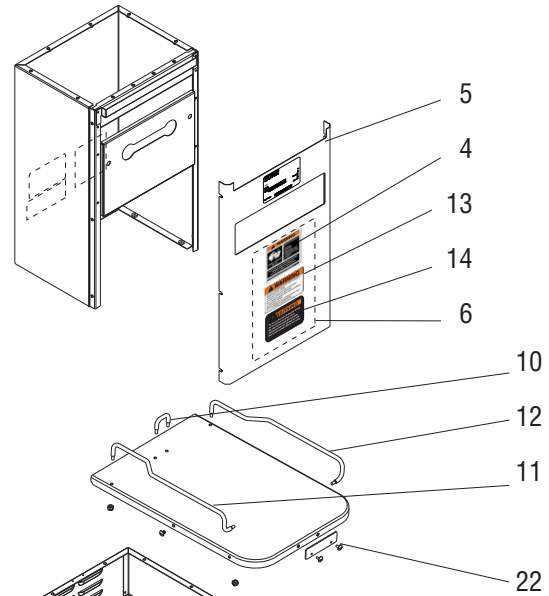
ITB SERIES



SINGLE DILUTION



DUAL DILUTION



LOW PROFILE

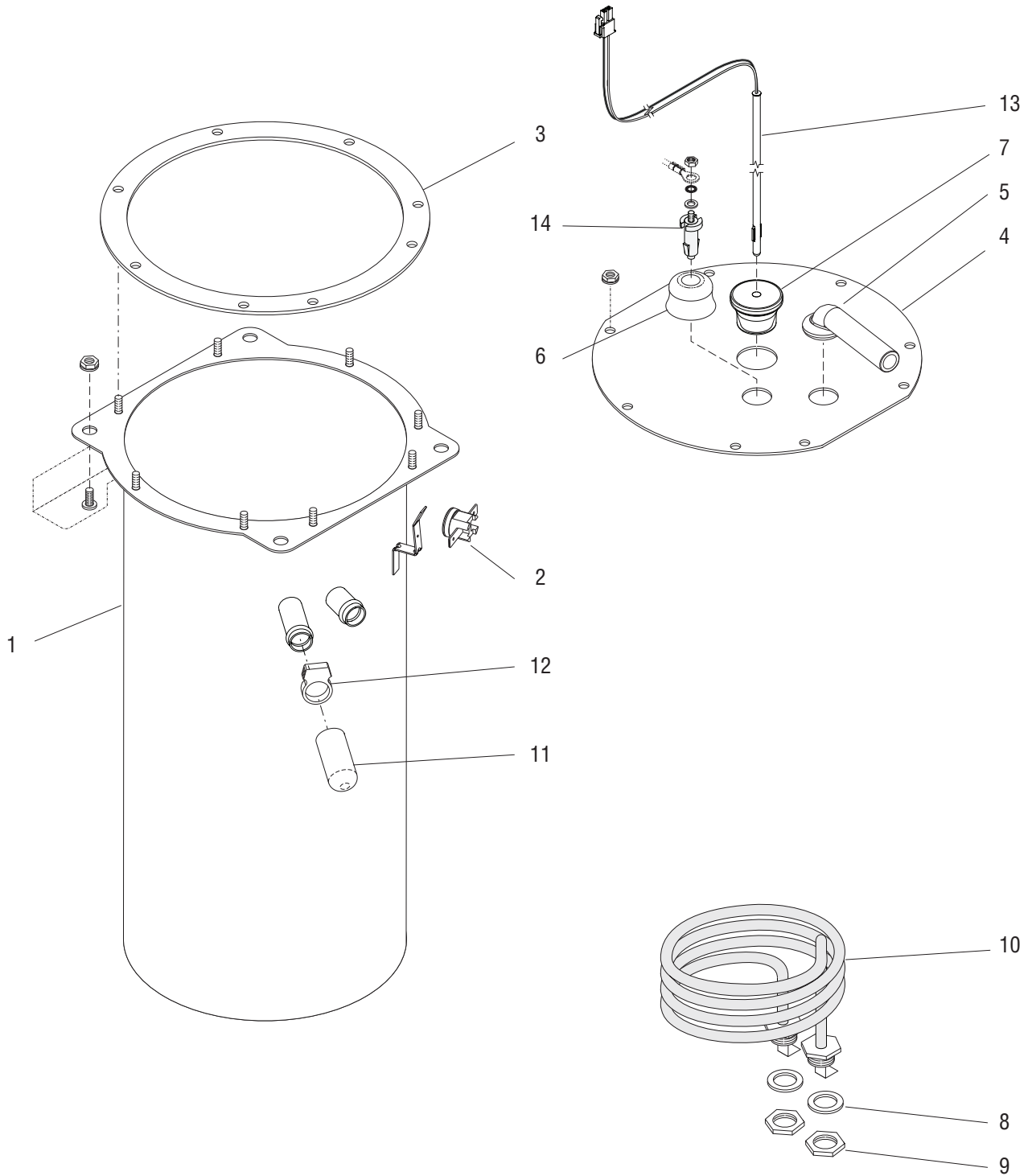
HOOD, TRUNK, BASE AND PANEL

ITEM	PART NO.	QTY.	DESCRIPTION
20	26528.0001	4	Leg, 4.0" Adjustable
21	03996.0000	4	Pad, Non-Skid
22	37538.0001	1	Stop, Dispenser Front
	01311.0001	2	Screw, Truss Head #6-32 x .25"
23	51453.0000	1	Decal, Warning - Risk of Fire (Dual Dilution/Sweetner)
24	00669.0002	2	Plug (Dual Dilution Models)



TANK & COMPONENTS

ITB SERIES



P2888

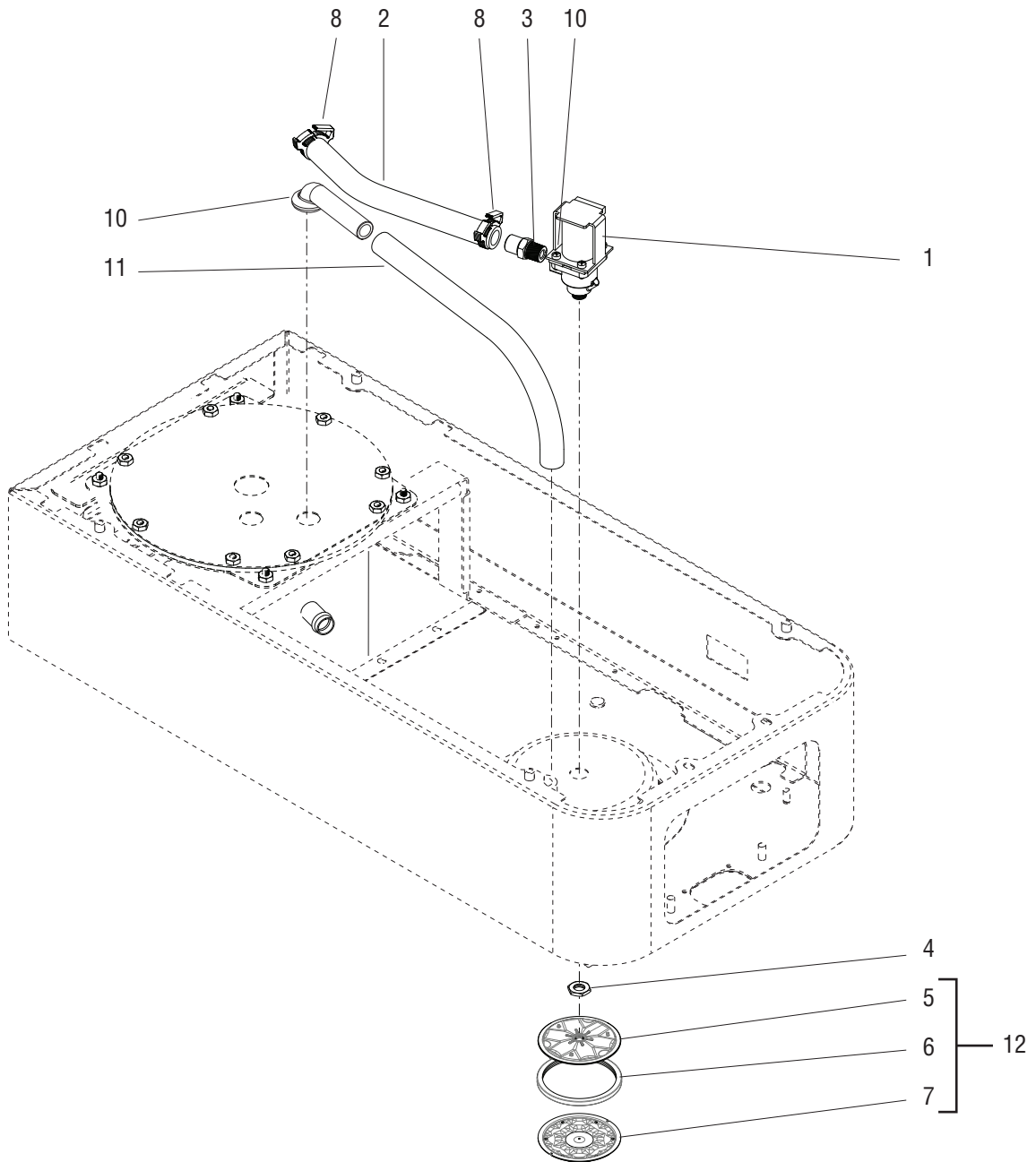
TANK & COMPONENTS

ITEM	PART NO.	QTY.	DESCRIPTION
	34074.1055	-	Kit, ITB Replacement Tank Assy (Includes Item: 1,2,3,5,6,8,9,10,11 &12)
	34074.1056	-	Kit, ITB Replacement Tank w/ Insulation Only (Includes Item: 1,11,12)
1	33937.0003	1	Tank
	00970.0000	3	Nut, Keps #8-32
	01501.0000	1	Washer
	20203.0100	1	Lockwasher, Internal-tooth #8
	00908.0000	1	Nut, Hex #8-32
2	29329.1000	1	Limit Thermostat
3	04221.0000	1	Gasket
4	28735.0000	1	Lid
	00908.0000	8	Nut, Hex #8-32
5	38969.0003	1	Fitting, 90° Silicone
6	38114.0000	1	Grommet, Liquid Level Probe
7	33801.0003	1	Grommet, Temp. Sensor
8	00943.0000	2	Gasket
9	00942.0000	2	Nut, Hex .50"-20
10	02755.1002	1	Tank Heater 1680W 120V (Includes item 8)
	05037.1000	1	Tank Heater 3500W 240V (Includes item 8)
11	29279.0000	1	Cap, Tube-Silicone
12	12422.0005	1	Clamp, Hose SNP-12
13	39085.1001	1	Probe Kit, Temperature and Dry Plug
14	07412.1002	1	Probe, Liquid Level
	01501.0000	1	Washer
	20203.0100	1	Lockwasher, Internal-tooth #8
	00908.0000	1	Nut, Hex #8-32



DISPENSE VALVE & SPRAYHEAD

ITB SERIES



P4428.75

DISPENSE VALVE & SPRAYHEAD

ITEM	PART NO.	QTY.	DESCRIPTION
1	26846.0000	2	1 Valve Assembly, Sprayhead 120V (Discontinued, use 56771.0000)
	26846.0002	2	1 Valve Assembly, Sprayhead 240V (Discontinued, use 56771.0002)
	11517.0008	-	- Repair Kit (Includes plunger, spring & diaphragm)
	23255.0000	-	- Diaphragm Only
	23254.0000	8	4 Screw
	23256.0000	2	1 Spacer Plate
	56771.0000	2	1 Valve Assembly, Sprayhead 120V
	56771.0002	2	1 Valve Assembly, Sprayhead 240V
	56815.0000	-	- Repair Kit (Includes plunger, spring & diaphragm)
	56816.0000	-	- Diaphragm Only
	22305.0001	2	1 Coil 120VAC (used in both styles)
	22305.0002	2	1 Coil 240VAC (used in both styles)
	2		1
3	34956.0004	1	Fitting
4	01075.0000	1	Nut, Hex .438"-20
5	52112.0003	1	Back, Sprayhead
6	34868.0000	1	Seal
7	43920.0003	1	Sprayhead 7 Hole
8	12422.0009	2	Clamp, SNP-14
9			
10	38969.0003	1	Fitting, 90° Silicone
11		1	Tube .50" ID x 12.0" (Order item 13)
12	40670.1019	1	Sprayhead Assy 7 Hole (Includes Items 6 & 7)
	01082.0000	1	Sprayhead, 6 Hole-SST 6-078 (Not Illustrated)

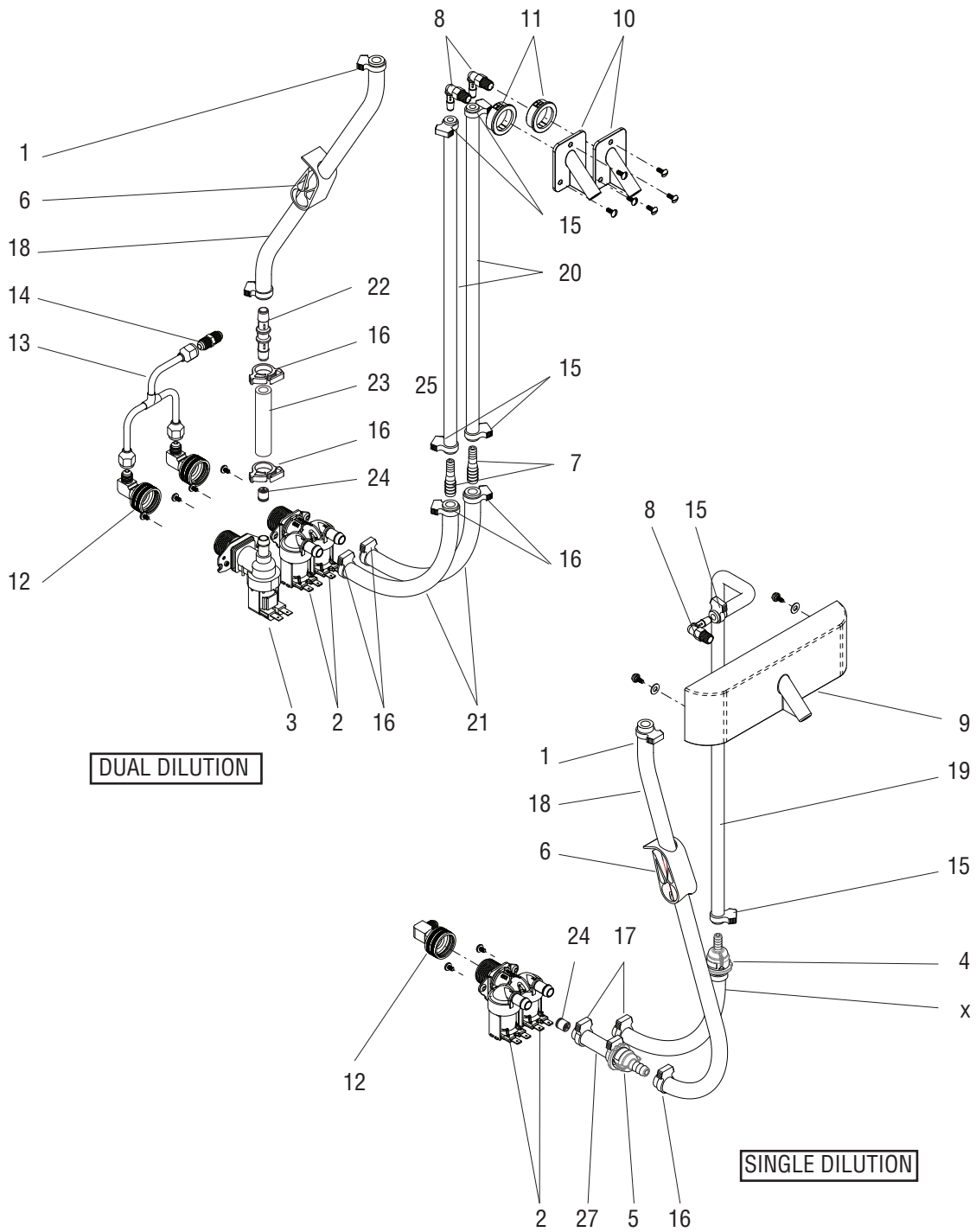
The following items are not illustrated

13	32591.1001	-	Tube .50" ID x 1 Foot
	32591.1002	-	Tube .50" ID x 3 Feet
	32591.1003	-	Tube .50" ID x 10 Feet
	32591.1004	-	Tube .50" ID x 250 Feet



FILL, SINGLE DILUTION & DRAIN

ITB SERIES



P4429.50

FILL, SINGLE DILUTION & DRAIN

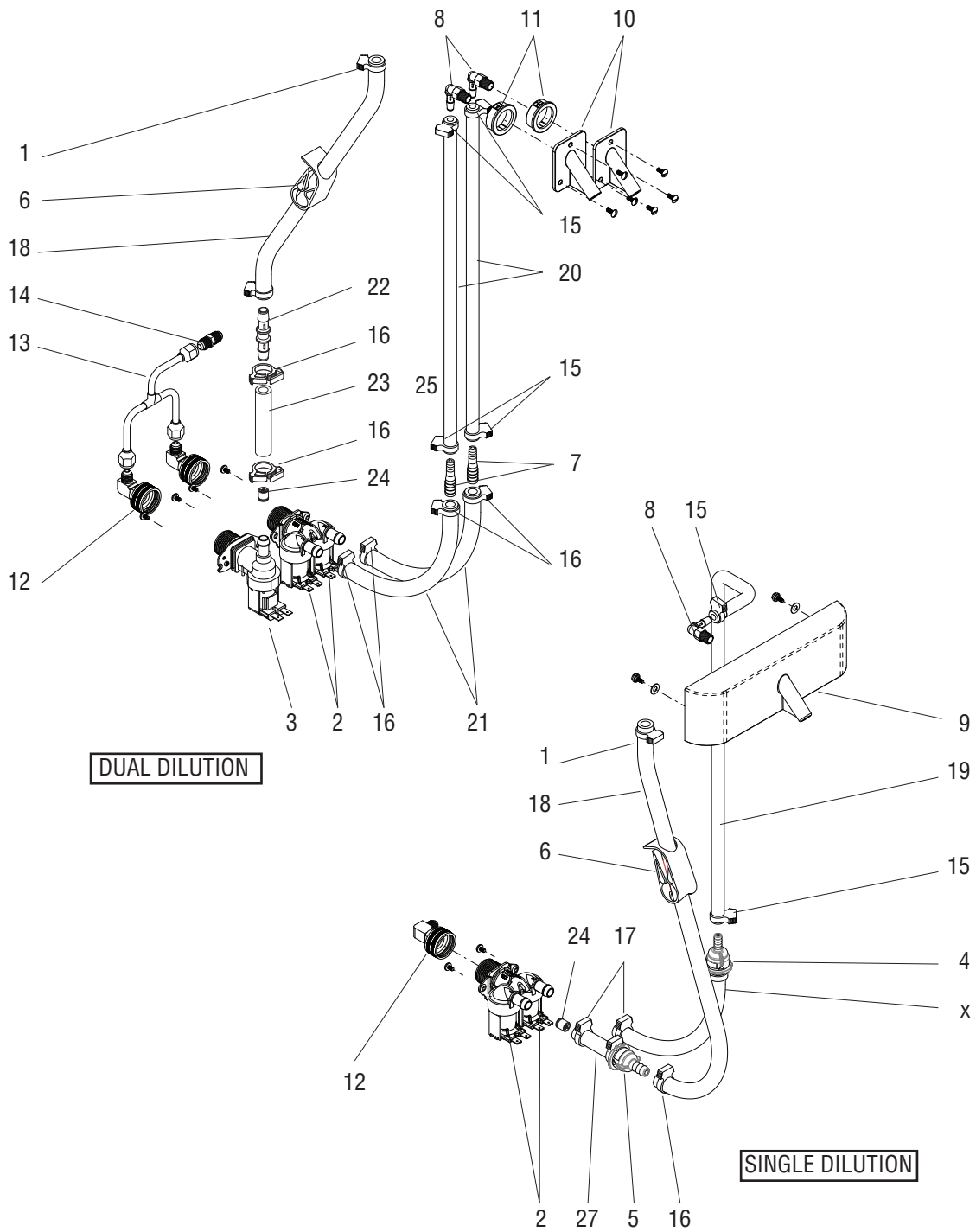
ITEM	PART NO.	QTY.	DESCRIPTION
1	12422.0006	1	Clamp, Hose-Snap SNP-8
2	43041.0000	1	Kit, Valve 120V
	32283.0000	2	Screw, SST Slotted Panhead M4 X 6mm
	46884.0000	1	Strainer, Inlet
3	40506.0010	1	Kit, Valve 120V
	32283.0000	2	Screw, SST Slotted Panhead M4 X 6mm
	46884.0000	1	Strainer, Inlet
4	41595.0011	1	Flow Control (Dilution)
5	41595.0010	1	Flow Control (Fill) (Standard Models)
6	11630.0002	1	Clamp Shut Off, Tube
7	26443.0000	4	Reducer
8	47355.0001	2	Elbow, 1/8-27 Npt To 1/4" Barb (Non Sweetener)
9	36360.1001	1	Kit, Dilution Nozzle w/Elbow (Non Sweetener Models)
	02332.0005	2	Screw, Hex #6 x .38"
	28614.0000	2	Washer
10	03717.0000	2	Dilution Nozzle
	01382.0002	6	Screw, TRH #6-32 x .38"
11	01592.0001	2	Bushing 1.188" (1 less used on Single Dilution)
12	37297.1001	1	Elbow, .25 FLR X .75 Hose THD
13	41969.0000	1	Tube Assembly
14	00436.0001	1	Union, .25" Flare
15	12422.0000	6	Clamp, Hose-Snap SNP-6
16	12422.0001	4	Clamp, Hose-Snap SNP-10
17	12422.0005	2	Clamp, Hose-Snap SNP-12
18		1	Tube, Silicone .375" ID X 19.0 LG (Low Profile Models) (Order item 29)
		1	Tube, Silicone .375" ID X 20.0 LG (Standard Models) (Order item 29)
19		1	Tube, Silicone .250" ID X 20.0 LG (29" Trunk) (Order item 28)
		1	Tube, Silicone .250" ID X 12.0 LG (Low Profile) (Order item 28)
20		2	Tube, Silicone .250" ID X 10.0 LG (29" Trunk) (Order item 28)
21		2	Tube, Silicone .375" ID X 5.0 LG (29" Trunk) (Order item 29)
22	45313.0000	1	Connector, Union .38"x .38"
23		1	Tube, Silicone .375" ID x 3.0" (Order item 29)
24	36378.0001	2	Check Valve
25	46028.0000	1	Kit, Check Valve
26		1	Flex Hose 3.0" (Dilution) (Order item 30)

CONTINUED



FILL, SINGLE DILUTION & DRAIN

ITB SERIES



P4429.50

FILL, SINGLE DILUTION & DRAIN

ITEM	PART NO.	QTY.	DESCRIPTION
27		1	Flex Hose 3.0" (Fill) (Low Profile Models) (Order item 30)
		1	Flex Hose 6.0" (Fill) (Standard Models) (Order item 30)

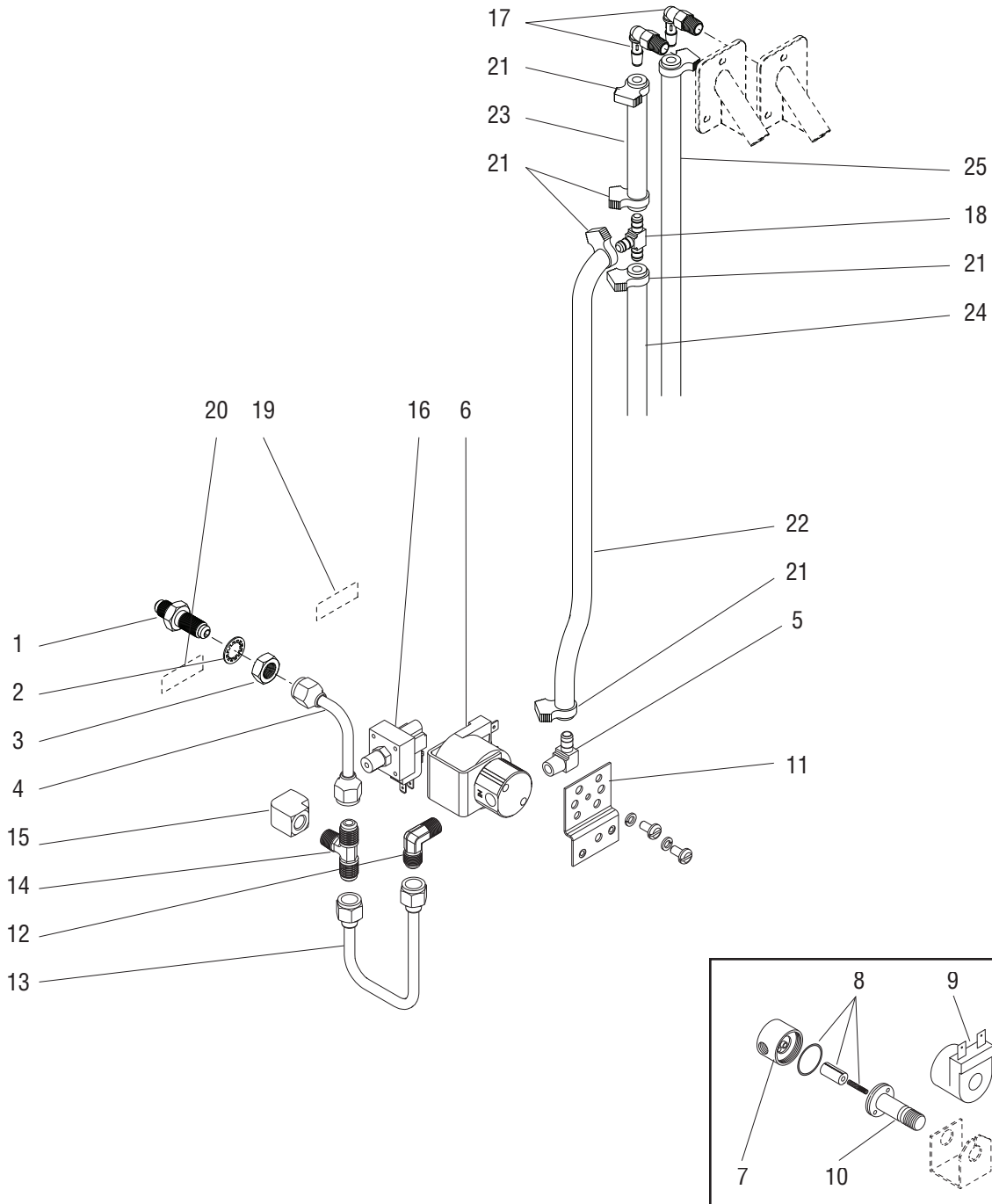
The following items are not illustrated

28	11707.1000	-	Tube, Silicone .250" ID x .50" O.D. x 1 Foot (Use as required)
	11707.1001	-	Tube, Silicone .250" ID x .50" O.D. x 3 Feet (Use as required)
	11707.1002	-	Tube, Silicone .250" ID x .50" O.D. x 10 Feet (Use as required)
	11707.1004	-	Tube, Silicone .250" ID x .50" O.D. x 250 Feet (Use as required)
29	20976.1000	-	Tube, Silicone .375" ID x 1 Foot (Use as required)
	20976.1001	-	Tube, Silicone .375" ID x 3 Feet (Use as required)
	20976.1002	-	Tube, Silicone .375" ID x 10 Feet (Use as required)
30	34325.1000	-	Hose, Flex .375" ID x 1 Foot (Use as required)
	34325.1001	-	Hose, Flex .375" ID x 3 Feet (Use as required)
	34325.1002	-	Hose, Flex .375" ID x 10 Feet (Use as required)



MODELS SINGLE DILUTION w/ SWEETENER

ITB
SERIES



MODELS SINGLE DILUTION w/ SWEETENER

ITEM	PART NO.	QTY.	DESCRIPTION
1	00459.0000	1	Fitting, Bulkhead .250" Flare
2	01532.0000	1	Lockwasher, Internal Tooth .438"
3	00463.0000	1	Nut, Hex - Brass .438"-20
4	36459.0001	1	Tube Assy,
5	00464.0001	1	Elbow, Male-Tnpl.25 Barbx.
6	01085.0000	1	Solenoid Valve, 120V (Includes items 7 - 10)
	01327.0000	2	Screw, Pan Head #10-32 x .375"
	01502.0000	2	Lockwasher, Split #10
7	01079.0000	1	Solenoid Valve Base
8	01111.0000	1	Solenoid Valve Repair Kit
9	01101.0000	1	Solenoid Valve Coil, 120V
10	01116.0000	1	Guide
11	07441.0001	1	Bracket
	01315.0000	2	Screw, Pan Head #8-32 x .38"
12	00400.0001	1	Elbow .25" Flare x .125"MPT
13	00310.0005	1	Tube Assy.
14	00431.0001	1	Tee, Male Br-Tn Pl.25flrx
15	00435.0001	1	Elbow, Tin Pld .125npt F
16	38379.1000	1	Switch, Pressure-Low Product
17	47355.0001	1	Elbow (Also included w/dilution nozzle)
18	22150.0001	1	Tee
19	26371.0000	1	Decal, Water
20	26371.0001	1	Decal, Sweetener
21	12422.0000	6	Clamp, Hose - SNP 6 (3 Addl used on Dual Dil)
22		1	Tube, Silicone .250" I.D. x 15.0" LG (Order item 26)
23		1	Tube, Silicone .250" I.D. x 7.0" LG (Order item 26)
24		1	Tube, Silicone .250" I.D. x 13.1" LG (Order item 26)
25		1	Tube, Silicone .250" I.D. x 10.0" LG (Order item 26)

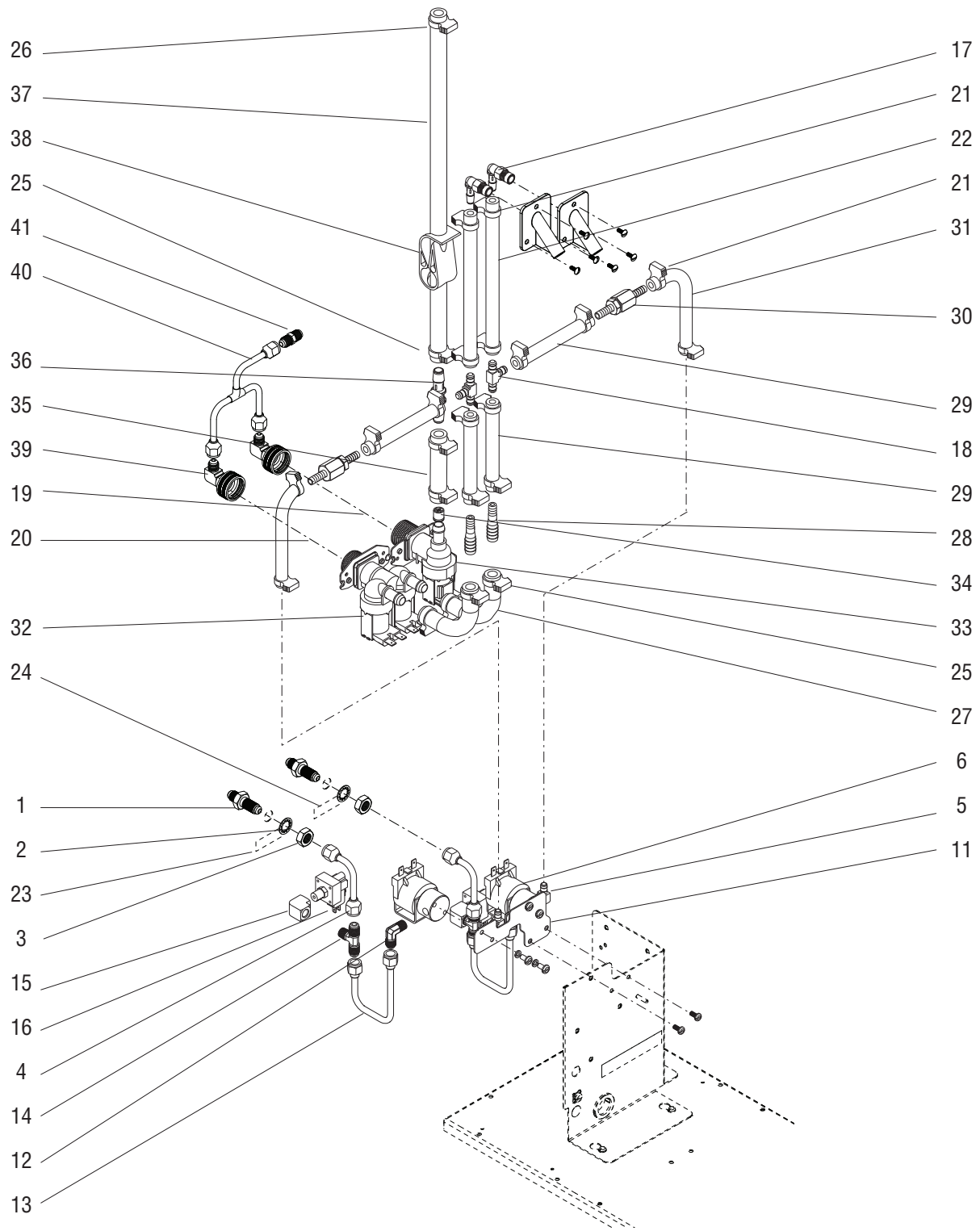
The following items are not illustrated

26	11707.1000	-	Tube, Silicone .250" I.D. x .50" O.D. x 1 Foot (Use as required)
	11707.1001	-	Tube, Silicone .250" I.D. x .50" O.D. x 3 Feet (Use as required)
	11707.1002	-	Tube, Silicone .250" I.D. x .50" O.D. x 10 Feet (Use as required)
	11707.1004	-	Tube, Silicone .250" I.D. x .50" O.D. x 250 Feet (Use as required)



MODELS DUAL DILUTION w/ SWEETENER

ITB SERIES



P4436.50

MODELS DUAL DILUTION w/ SWEETENER

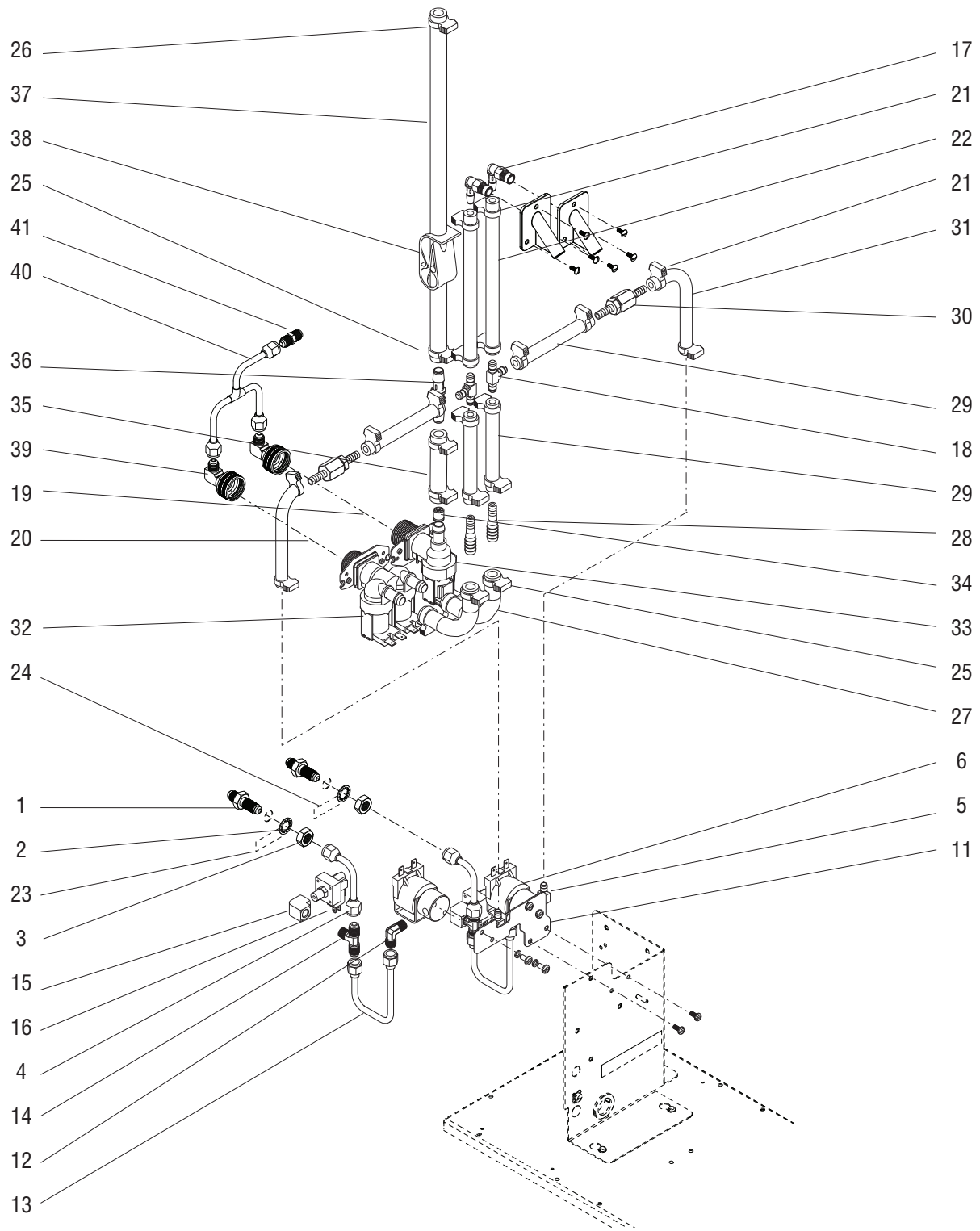
ITEM	PART NO.	QTY.	DESCRIPTION
1	00459.0000	2	Fitting, Bulkhead .250" Flare
2	01532.0000	2	Lockwasher, Internal Tooth .438"
3	00463.0000	2	Nut, Hex - Brass .438"-20
4	36459.0001	2	Tube Assy,
5	00464.0001	2	Elbow, Male-Tnpl.25 Barbx.
6	01085.0000	2	Solenoid Valve, 120V (Includes items 7 - 10)
	01975.0000	2	Solenoid Valve, 240V (Includes items 7,9,10)
	01327.0000	4	Screw, Pan Head #10-32 x .375"
	01502.0000	4	Lockwasher, Split #10
7	01079.0000	1	Solenoid Valve Base
8	01111.0000	1	Solenoid Valve Repair Kit
9	01101.0000	1	Solenoid Valve Coil, 120V
	01100.0000	1	Solenoid Valve Coil, 240V
10	01116.0000	1	Guide
11	07441.0003	1	Bracket
	02308.0000	2	Screw, Pan Head #8-32 x .38"
12	00400.0001	2	Elbow .25" Flare x .125"MPT
13	00310.0005	2	Tube Assy.
14	00431.0001	2	Tee, Male Br-Tn Pl.25flrx
15	00435.0001	2	Elbow, Tin Pld .125npt F
16	38379.1000	2	Switch, Pressure-Low Product
17	47355.0001	2	Elbow (Also included w/dilution nozzle)
18	22150.0001	2	Tee
19	26371.0005	1	Decal, Water Inlet
20	26371.0004	1	Decal, Dilution Inlet
21	12422.0000	21	Clamp, Hose - SNP 6
22		2	Tube, Silicone .250" I.D. x 7.0" LG (Order item 42)
23	26371.0002	1	Decal, BIB #1
24	26371.0003	1	Decal, BIB #2
25	12422.0001	7	Clamp, Hose-Snap SNP-10
26	12422.0006	1	Clamp, Hose-Snap SNP-8
27		2	Tube, Silicone .375" ID x 10.0" LG (Order item 43)
28	26443.0000	2	Reducer

CONTINUED



MODELS DUAL DILUTION w/ SWEETENER

ITB SERIES



P4436.50

MODELS DUAL DILUTION w/ SWEETENER

ITEM	PART NO.	QTY.	DESCRIPTION
29		4	Tube, Silicone .250" I.D. x 4.0" LG (Order item 42)
30	40071.0007	2	Check Valve
31		2	Tube, Silicone .250" I.D. x 8.5" LG (Order item 42)
32	43235.0004	1	Valve 230V
	32283.0000	2	Screw, SST Slotted Panhead M4 X 6mm
33	40506.0020	1	Valve 230V
	32283.0000	2	Screw, SST Slotted Panhead M4 X 6mm
34	36378.0001	1	Check Valve
35		1	Tube, Silicone .375" ID x 3.0" LG (Order item 43)
36	45313.0000	1	Connector
37		1	Tube, Silicone .375" ID x 16.0" LG (Order item 43)
38	11630.0002	1	Clamp Shut Off, Tube
39	37297.1001	2	Elbow, .25 FLR X .75 Hose THD
40	41969.0000	1	Tube Assembly
41	00436.0001	1	Union, .25" Flare

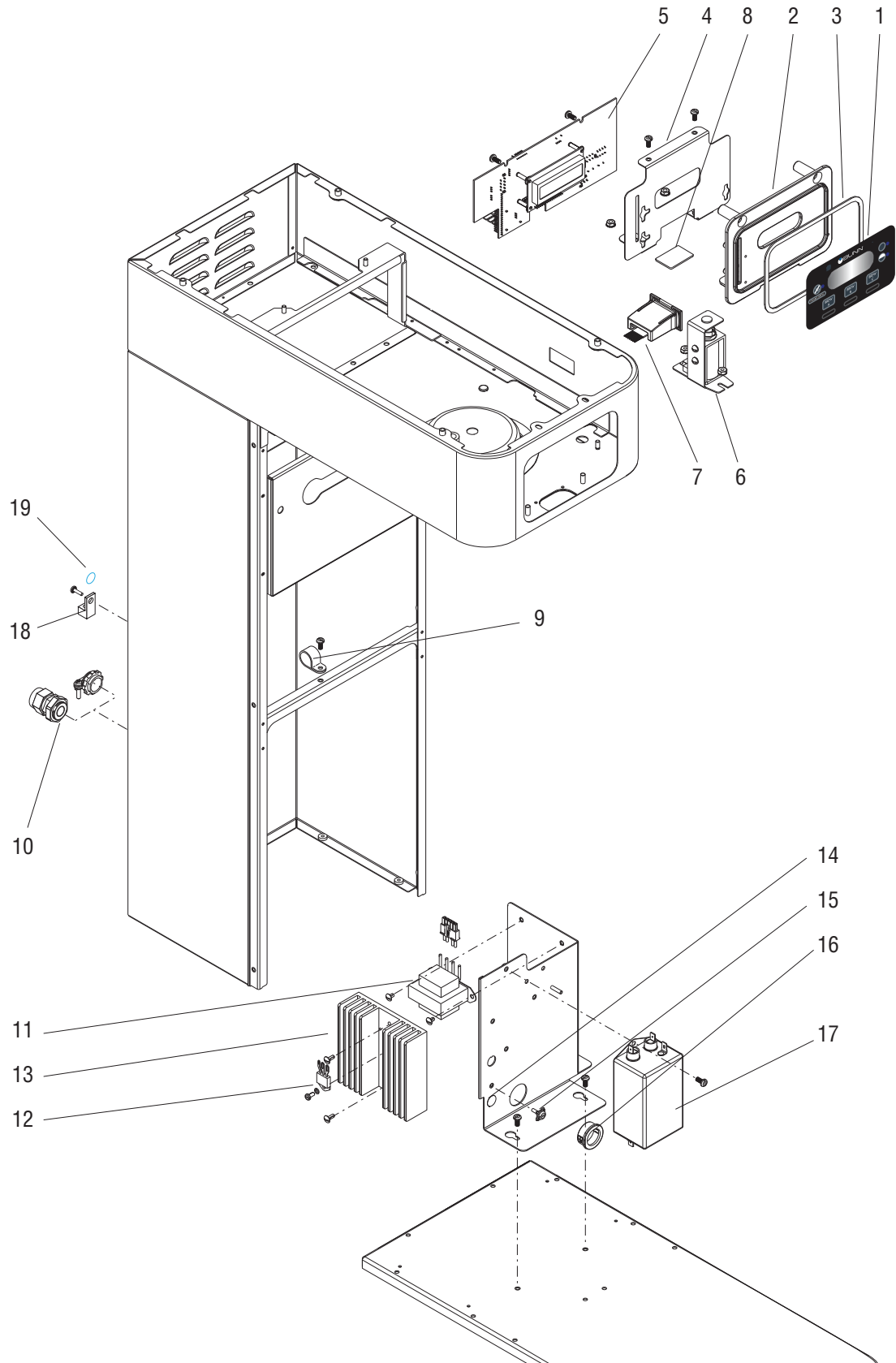
The following items are not illustrated

42	11707.1000	-	Tube, Silicone .250" I.D. x .50" O.D. x 1 Foot (Use as required)
	11707.1001	-	Tube, Silicone .250" I.D. x .50" O.D. x 3 Feet (Use as required)
	11707.1002	-	Tube, Silicone .250" I.D. x .50" O.D. x 10 Feet (Use as required)
	11707.1004	-	Tube, Silicone .250" I.D. x .50" O.D. x 250 Feet (Use as required)
43	20976.1000	-	Tube, Silicone .375" ID x 1 Foot (Use as required)
	20976.1001	-	Tube, Silicone .375" ID x 3 Feet (Use as required)
	20976.1002	-	Tube, Silicone .375" ID x 10 Feet (Use as required)



ELECTRICAL & OPERATING CONTROLS

ITB SERIES



P4431.50

ELECTRICAL & OPERATING CONTROLS

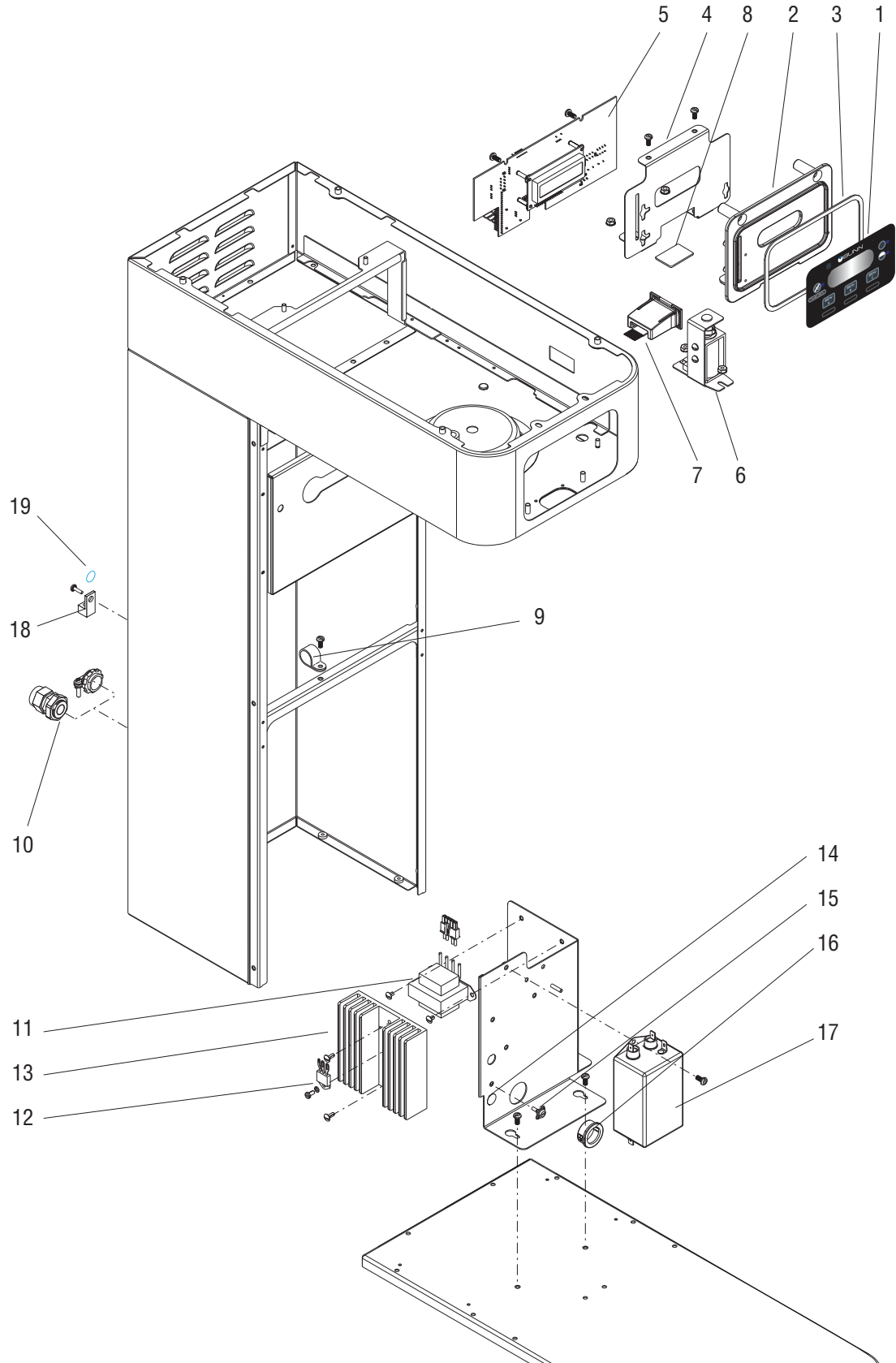
ITEM	PART NO.	QTY.	DESCRIPTION
1	52904.0000	1	Membrane Switch
2	52864.0000	1	Bezel
3	53344.0001	1	Gasket
4	51337.0002	1	Bracket
	02308.0000	2	Screw, Pan Head #8-32 x .38"
	00971.0000	2	Nut
5	52887.1000	1	Control Board 120V
	53833.1000	1	Control Board 230V
6	35952.1006	1	Solenoid 120V
	35952.1007	1	Solenoid 130V
	00970.0000	2	Nut, Keps #8-32
7	48455.0001	1	USB Receptacle
8	52947.0001	1	Seal
9	00610.0000	1	Clamp
	02308.0000	1	Screw, Pan Head #8-32 x .38"
10	01685.0000	1	Strain Relief 120V
	05746.0000	1	Strain Relief 230V
11	34307.1001	1	Transformer 120V
	34307.1002	1	Transformer 230V
	01308.0002	2	Screw, Truss Head 6-32 x .25" Lkg.
12	12565.0046	1	Triac (Standard Models)
	12565.0039	1	Triac (Low Profile Models)
	12565.0047	1	Triac (230V Models)
	02328.0003	1	Screw, 6-32 x .312"
	01520.0000	1	Lockwasher
	M2522.1000	-	Heat Sink Compound, 5oz Tube
13	20541.0001	1	Heatsink
	01382.0007	2	Screw, 6-32 x .375"
14	00824.0002	1	Decal, Ground 120V
15	37804.0000	1	Screw, Ground
16	01592.0000	1	Bushing, Snap
17	50159.0000	1	EMI Filter 230V
	01311.0001	2	Screw, Truss Head #6-32 x .25"
18	27705.0000	1	Terminal Lug
	02308.0000	2	Screw, Pan Head #8-32 x .38"
19	00824.0001	1	Decal, Equipotential 230V

CONTINUED



ELECTRICAL & OPERATING CONTROLS

ITB SERIES



P4431.50

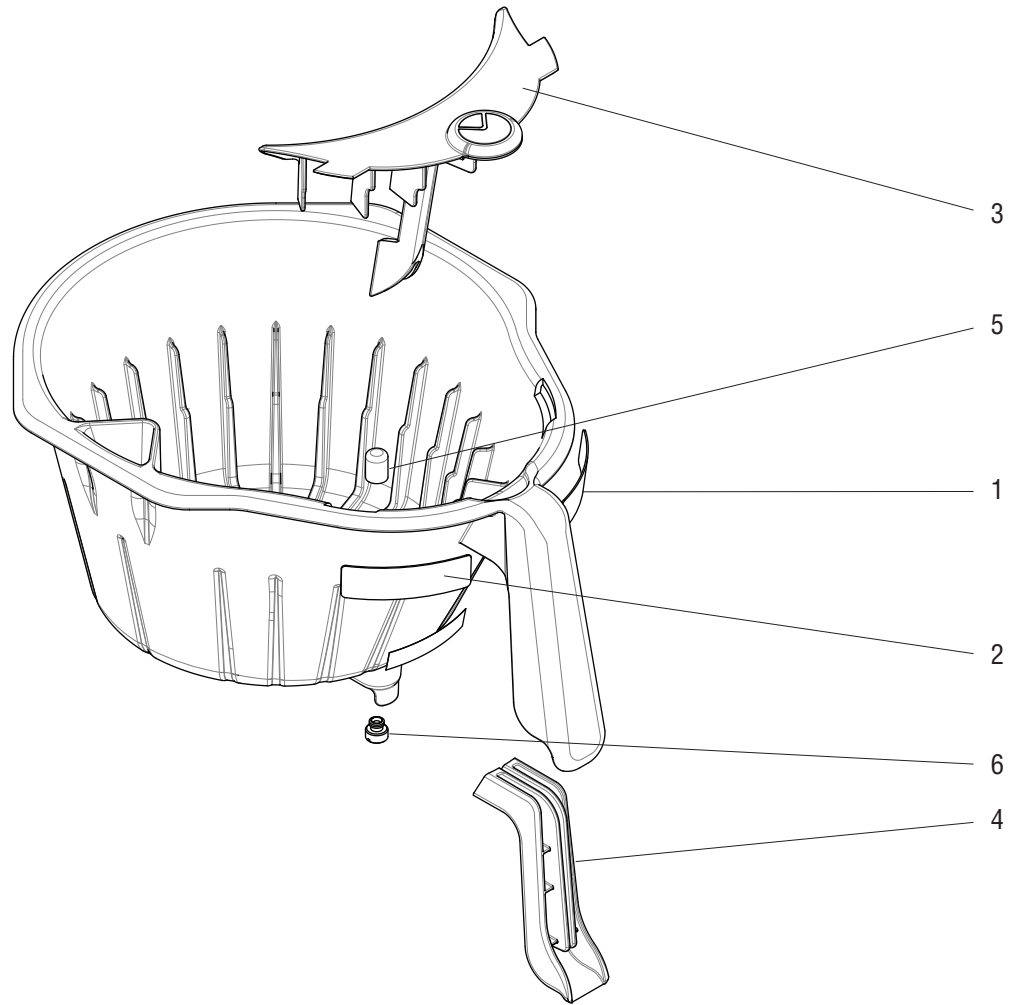
ELECTRICAL & OPERATING CONTROLS

ITEM	PART NO.	QTY.	DESCRIPTION
The following items are not illustrated			
20	48823.0011	1	Wiring Harness, Main (ITB 120V) (Standard Models)
	48823.0008	1	Wiring Harness, Main (ITB 120V) (Low Profile Models)
	48823.0010	1	Wiring Harness, Main (ITB 120V) (Models with Sweetner)
	48823.0009	1	Wiring Harness, Main (ITB 120V) (Models with Sweetener & Dual Dilution)
	48823.0012	1	Wiring Harness, Main (ITBA 230V) (Models with Sweetener & Dual Dilution)
21	01637.0000	1	Cord, Power 120V
	42749.0035	1	Cord, Power 230V
22	36674.0014	1	Wiring Harness, Liquid Level
	36674.0012	1	Wiring Harness, Liquid Level (ITB DDIL with Sweetner)
	36674.0013	1	Wiring Harness, Liquid Level (ITB Dual Dilution)
	36674.0017	1	Wiring Harness, Liquid Level (ITBA DDIL with Sweetner)
23	44022.0000	1	Wiring Harness, Transformer to CBA
24	54217.0000	1	Wiring Harness, Pressure Switch 120V
	54217.0001	1	Wiring Harness, Pressure Switch 230V
25	22918.0002	2	Thermal Fuse 230V (ITBA)
26	48455.0002	1	USB Receptacle Cover



FUNNEL

ITB SERIES



P4437

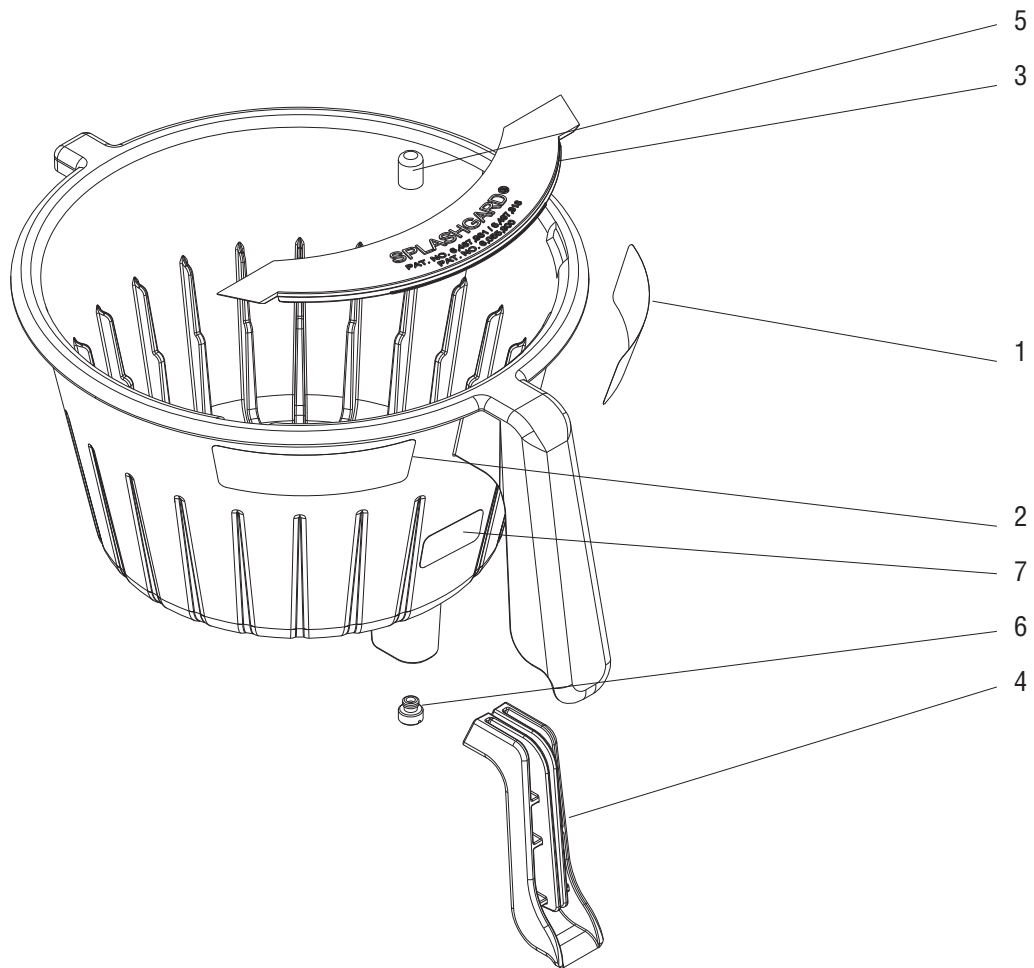
FUNNEL

ITEM	PART NO.	QTY.	DESCRIPTION
-	53463.0040	1	Funnel Assy, Plastic (Includes Items 1 thru 6)
1	03408.0008	1	Decal, Caution-Remove Funnel
2	03409.0006	1	Decal, Caution-Hot Liquid
3	53374.0005	1	Splash Guard
4	53544.0003	1	Insert, Funnel Handle
5	03284.0001	1	Adapter, Funnel w/Screen
6	03407.0000	1	Funnel Tip, .082"



FUNNEL, ROTATIONAL

ITB SERIES



P4438

FUNNEL, ROTATIONAL

ITEM	PART NO.	QTY.	DESCRIPTION
-	53463.0012	1	Funnel Assy, Plastic (Includes Items 1 thru 7)
1	03408.0009	1	Decal, Caution-Remove Funnel
2	03409.0007	1	Decal, Caution-Hot Liquid
3	32965.0003	1	Splash Guard
4	53544.0001	1	Insert, Funnel Handle
5	03284.0001	1	Adapter, Funnel w/Screen
6	03407.0000	1	Funnel Tip, .082"
7	53685.0000	1	Decal, Arrows