



# ITCB/ITCB HV ITCB TWIN HV PLATINUM EDITION



## ILLUSTRATED PARTS CATALOG

Designs, materials, weights, specifications, and dimensions for equipment or replacement parts are subject to change without notice.

### BUNN-O-MATIC CORPORATION

POST OFFICE BOX 3227

SPRINGFIELD, ILLINOIS 62708-3227

PHONE: (217) 529-6601 FAX: (217) 529-6644

[www.bunn.com](http://www.bunn.com)

## BUNN-O-MATIC COMMERCIAL PRODUCT WARRANTY

Warranty statements and information can be found on our website. Please visit <https://commercial.bunn.com/support/warranty-lookup> for further details.

## TABLE OF CONTENTS

COVERS AND PANELS .....	4
TANK AND COMPONENTS .....	8
TANK FILL/DRAIN AND DILUTION .....	10
DISPENSE/BYPASS VALVES, SPRAYHEAD, & FAUCET .....	12
FAUCETS .....	16
ELECTRICAL AND OPERATING CONTROLS .....	18
FUNNELS .....	22

**To search this document electronically, press “control” + “F” (on P.C.) or “command” + “F” on Mac, then type in description or part number, press “enter”.**

**To order coffee filters, water filters, or other accessories, refer to Specification Sheets at [www.bunn.com](http://www.bunn.com)**

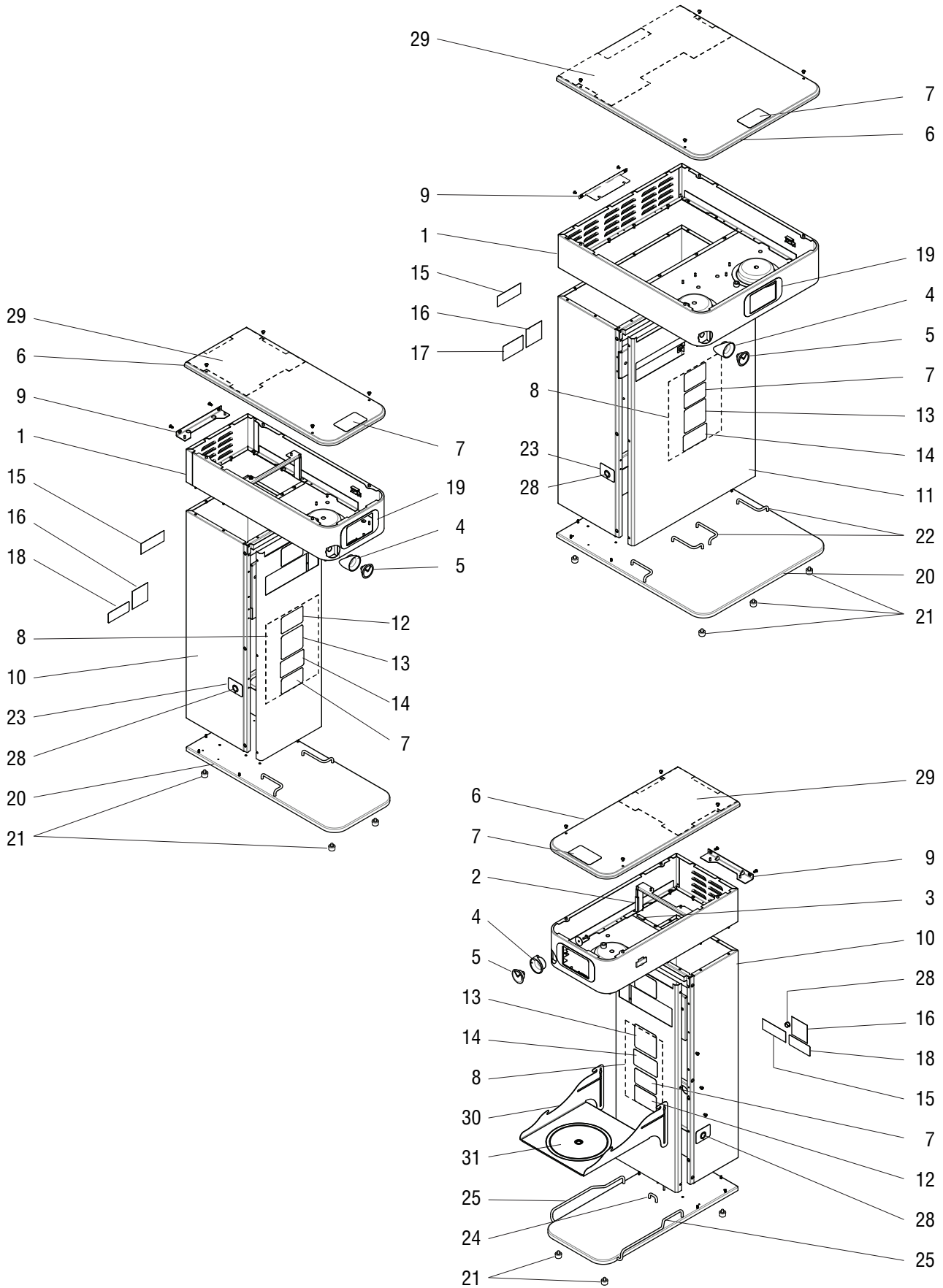
ITCB-DV .....	Dual Voltage Brewer
ITCB-DV HV .....	Dual Voltage High Volume Brewer
ITCB Twin HV .....	Twin High Volume Brewer

Fraction	Decimal		Fraction	Decimal
<b>1/16</b>	0.063		<b>9/16</b>	0.563
<b>1/8</b>	0.125		<b>5/8</b>	0.625
<b>3/16</b>	0.188		<b>11/16</b>	0.688
<b>1/4</b>	0.250		<b>3/4</b>	0.750
<b>5/16</b>	0.313		<b>13/16</b>	0.813
<b>3/8</b>	0.375		<b>7/8</b>	0.875
<b>7/16</b>	0.438		<b>15/16</b>	0.938
<b>1/2</b>	0.500		<b>1</b>	1.000



# COVERS AND PANELS

**ITCB HV  
Series**



## COVERS AND PANELS

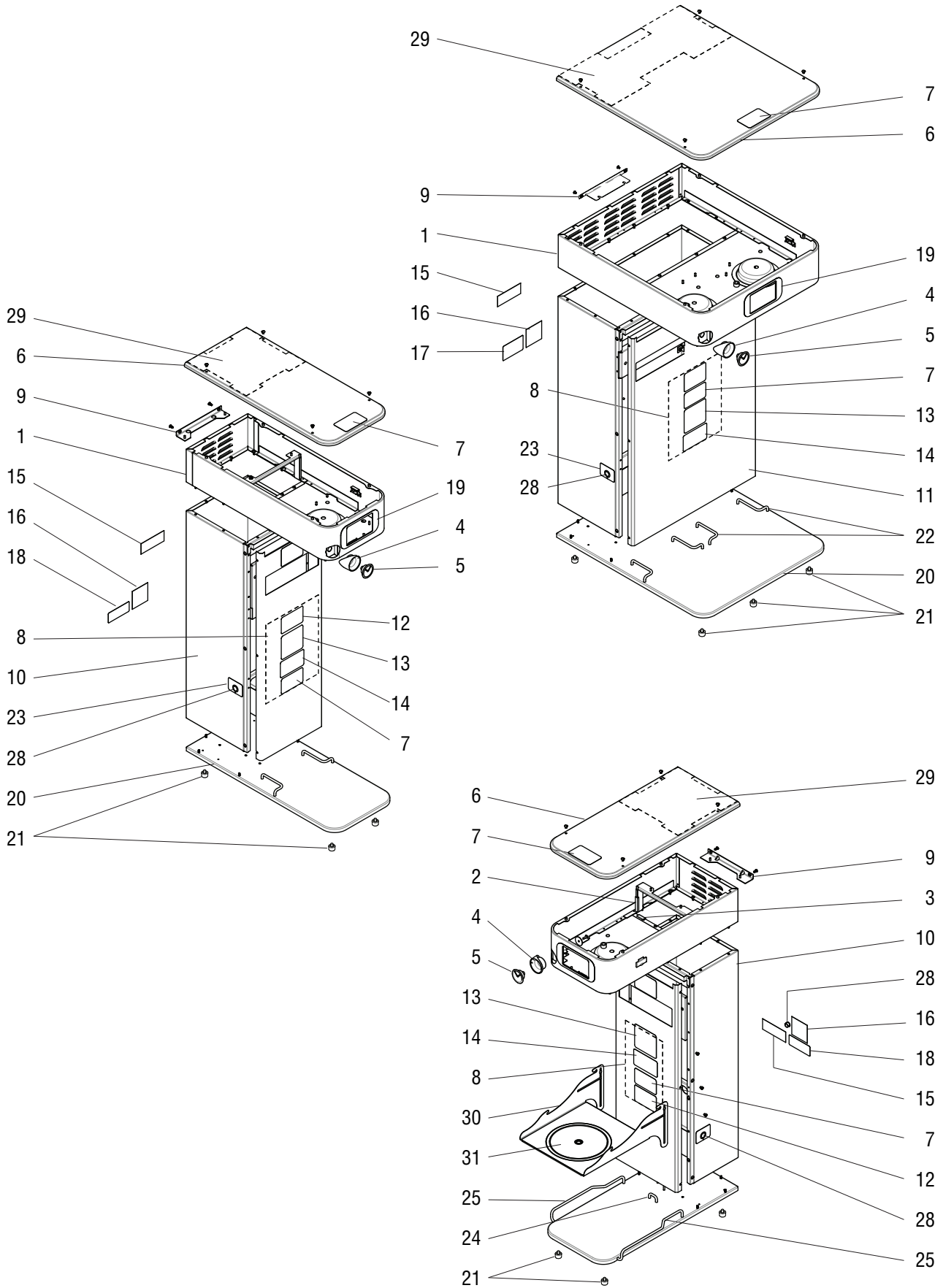
ITEM	PART NO.	QTY.			DESCRIPTION
		HV TWIN	HV SNGL	ITCB	
1	54259.0002	-	1	-	Hood, SST - Single
	53049.0007	1	-	-	Hood, SST - Twin
	52706.0013	-	-	1	Hood, SST - ITCB
	02308.0000	12	10	10	Screw, Pan Head #8-32 x .375"
2		-	1	1	Gasket (Order item 26)
3		-	1	1	Edging (Order item 27)
4	52896.0000	1	1	1	Bezel
5	53619.0000	1	1	1	Plug
	33651.0000	1	1	1	Washer
	01317.0001	1	1	1	Screw, Truss Head 8-32 x .50" Locking
6	44736.1031	-	1	-	Cover, Top Single (Includes item 7)
	44736.1035	1	-	-	Cover, Top Twin (Includes item 7)
	44736.1025	-	-	1	Cover, Top ITCB (Includes item 7)
	01311.0004	4	4	4	Screw
7	37881.0000	2	2	2	Decal, No Serviceable Parts
8	43828.0005	-	1	-	Schematic, ITCB HV DV
	37299.0013	1	-	-	Schematic, Twin HV
	53869.0002	-	-	1	Schematic, ITCB DV
9	36608.0002	-	1	-	Bracket, Upper Tank Support, (ITCB-DV HV)
	36608.0003	-	-	1	Bracket, Upper Tank Support, (ITCB-DV)
	02308.0000	-	2	-	Screw, Pan Head #8-32 x .375"
	37967.0001	1	-	-	Bracket, Upper Tank Support, Twin
	01308.0002	2	-	-	Screw, Truss Head #6-32 x .25"
10	45860.1043	-	-	1	Trunk, ITCB (Includes 15, 16,18 & 23)
	45860.1044	-	1	-	Trunk, Single ITCB HV (Includes 15, 16,18 & 23)
	45860.1045	1	-	-	Trunk, Twin HV (Includes 15-17 & 23)
	02308.0000	8	6	6	Screw, Pan Head #8-32 x .375"
11	52656.1002	-	1	1	Panel, Front Singles (Includes 7, 12, 13, 14)
	52656.1009	1	-	-	Panel, Front, Twin (Includes 7, 13, 14)
	01315.0000	6	6	6	Screw, Truss Head #8-32 x .38"
12	29710.0009	-	1	-	Decal, Optional Field Wiring (ITCB-DV HV Only)
	29710.0011	-	-	1	Decal, Optional Field Wiring (ITCB-DV Only)
13	00658.0000	1	1	1	Decal, Warning-Decanter/Funnel
14	39175.0000	1	1	1	Decal, Warning Overlay Graphic
15	00656.0001	1	1	1	Decal, Compliance To Plumbing Code
16	00986.0000	1	1	1	Decal, Warning-Electrical
17	38125.0000	1	-	1	Decal, Warning-Plug (125/250V) Twin
18	51453.0000	-	1	1	Decal, Warning-Risk of Fire

Continued on next page



# COVERS AND PANELS

## ITCB HV Series



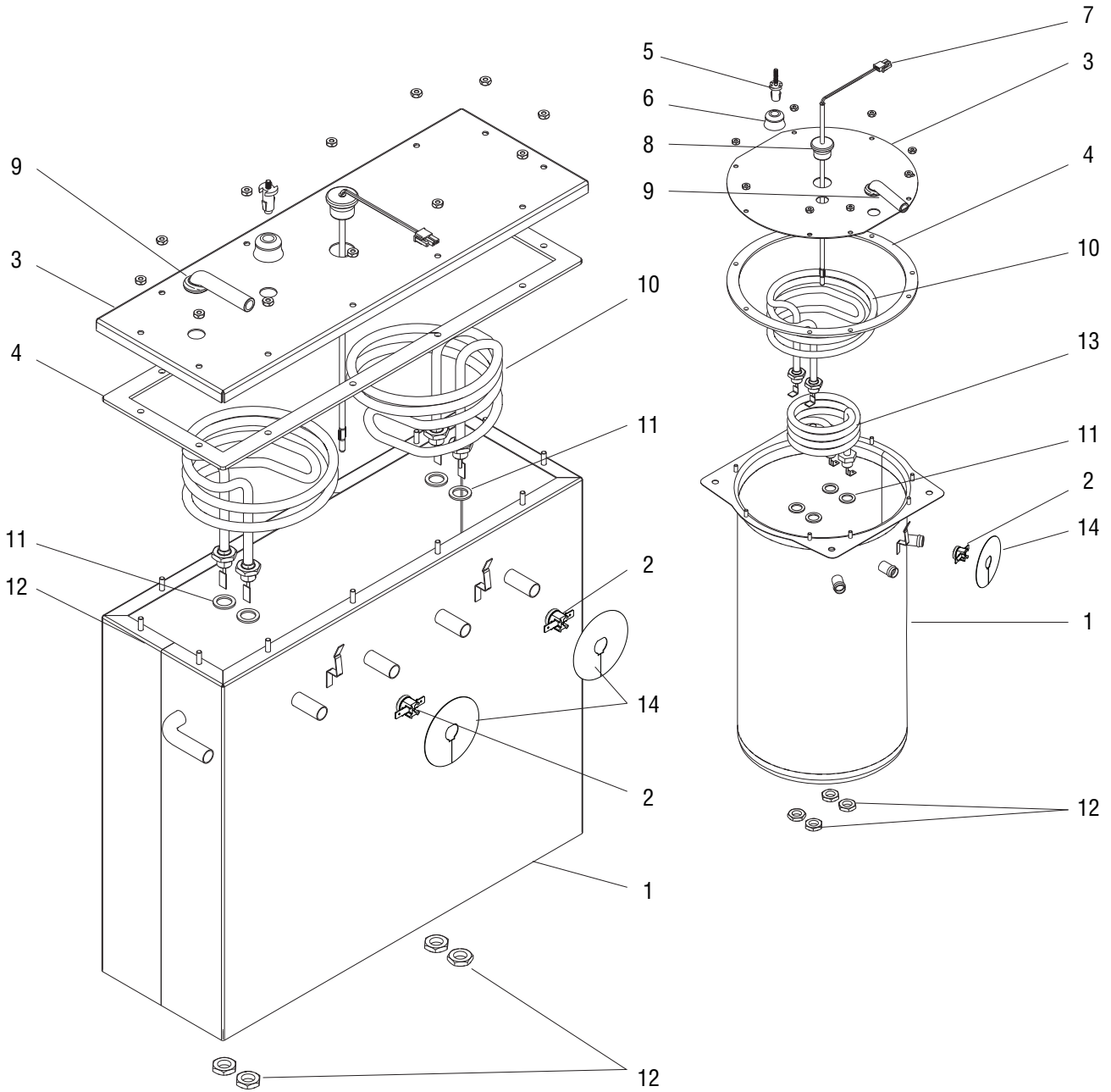
## COVERS AND PANELS

ITEM	PART NO.	QTY.	QTY.	QTY.	DESCRIPTION
		HV TWIN	HV SNGL	ITCB	
19	54430.0000	1	1	1	Decal
20	52649.0013	-	1	-	Base, Single
	52649.0008	1	-	-	Base, Twin
	52649.0005	-	-	1	Base, ITCB
21	25137.0001	6	4	4	Foot
22	43820.0000	2	1	-	Rail, Left
	43820.0001	2	1	-	Rail, Right
	00991.0000	8	4		Nut, Keps #8-32
23	29007.0005	2	2		Decal, Hot Water
24	06412.0000	-	-	1	Rail, Stop
	00991.0000	8	4		Nut, Keps #8-32
25	36461.0001	-	-	1	Rail, Left
	36462.0001	-	-	1	Rail, Right
	00991.0000	8	4		Nut, Keps #8-32
26	02434.1000	-	-	-	Gasket, U-channel, 18.0" (Use as Required)
27	02712.1000	-	-	-	Edging 18.0" (Use as Required)
28	00669.0002	2	2	3	Plug
29	25151.0011	-	1	1	Shield
	25151.0012	1	-	-	Shield
30	38704.1005	-	-	1	Tray Assy., Flip w/Decal
	29504.0005	-	-	6	Shoulder Screw, #8-32 x.29"
	00991.0000	-	-	6	Nut Elastic Lock #8-32
31	38578.0000	-	-	1	Decal






# TANK AND COMPONENTS

**ITCB HV  
Series**



P4392.60

## TANK AND COMPONENTS

ITEM	PART NO.	QTY.		DESCRIPTION		
		HV TWIN	HV SNGL			ITCB
1	37782.0004	1	-	1	Tank, Twin HV	
	36604.0000	-	1	-	Tank, Single HV 384 oz.	
	33937.0004	-	-	1	Tank, ITCB 200 oz.	
	00970.0000	-	3	1	Nut, Keps #8-32	 Ground circuit for liquid level probe - Singles
	00908.0000	-	2	1	Nut, #8-32	
	01501.0000	-	2	1	Flat Washer	
	20203.0100	-	2	1	Lock Washer	
2	29329.1000	2	1	1	Thermostat, Limit	
3	37776.0005	1	-	1	Tank Lid, Twin	
	36606.0001	-	1	1	Tank Lid, Single	
	00908.0000	12	8	1	Nut, #8-32	 Ground circuit for liquid level probe - Twins
	01511.0000	2	1	1	Lock Washer	
4	35937.0002	1	-	1	Gasket, Twin Tank Lid	
	36605.0000	-	1	1	Gasket, Single Tank Lid	
5	07412.1002	1	1	1	Probe Kit, Liquid Level	 Included in kit
	01501.0000	1	1	1	Flat Washer	
	20203.0100	1	1	1	Lock Washer	
	00908.0000	1	1	1	Nut, #8-32	
6	38114.0000	1	1	1	Grommet, Liquid Level Probe	
7	39085.1003	-	1	1	Probe, Temperature Sensor 10.5"	
8	33801.0003	1	1	1	Grommet, Temperature Sensor	
9	38969.0003	1	1	1	Fitting, 90° Silicone	
10	29485.1005	-	1	-	Tank Heater 2268W, 120V (Includes item 11) ITCB DV HV	
	29485.1006	2	-	-	Tank Heater 3000W, 240V (Includes item 11) Twin	
	29485.1004	-	-	1	Tank Heater 1800W, 120V (Includes item 11) ITCB DV	
11	00943.0000	4	4	1	Gasket, Tank Heater	
12	00942.0000	4	4	1	Nut, Brass .5"-20	
13	02755.1002	-	1	1	Tank Heater 1680W, 120V (Includes item 11) DV	
14	53701.0000	2	1	1	Shield	

**The following items are not illustrated**

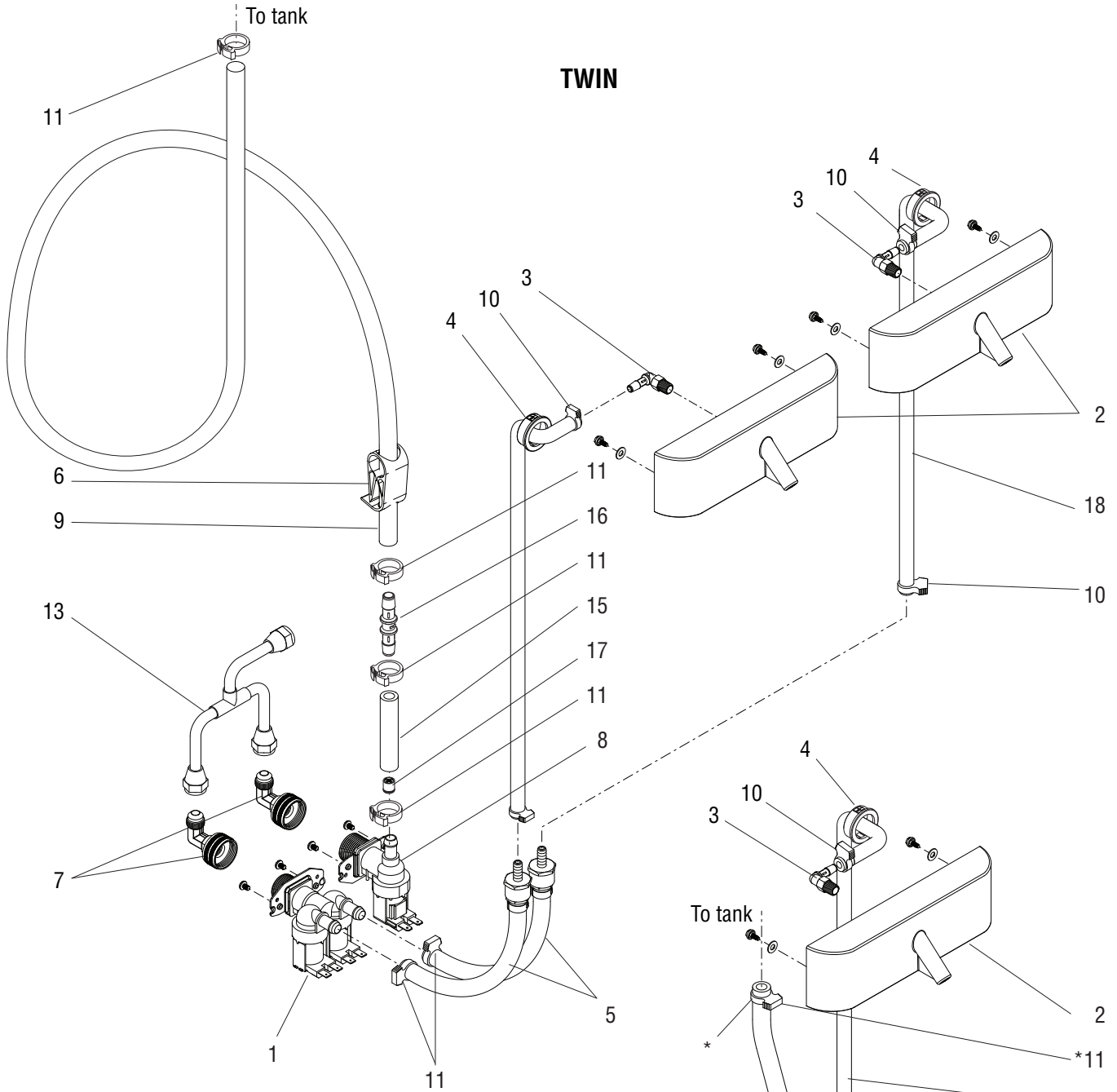
15	55178.0002	1	-	-	Insulation, Tank
	55178.0003	-	1	-	Insulation, Tank
	44223.0005	-	-	1	Insulation, Tank



# FILL AND DILUTION

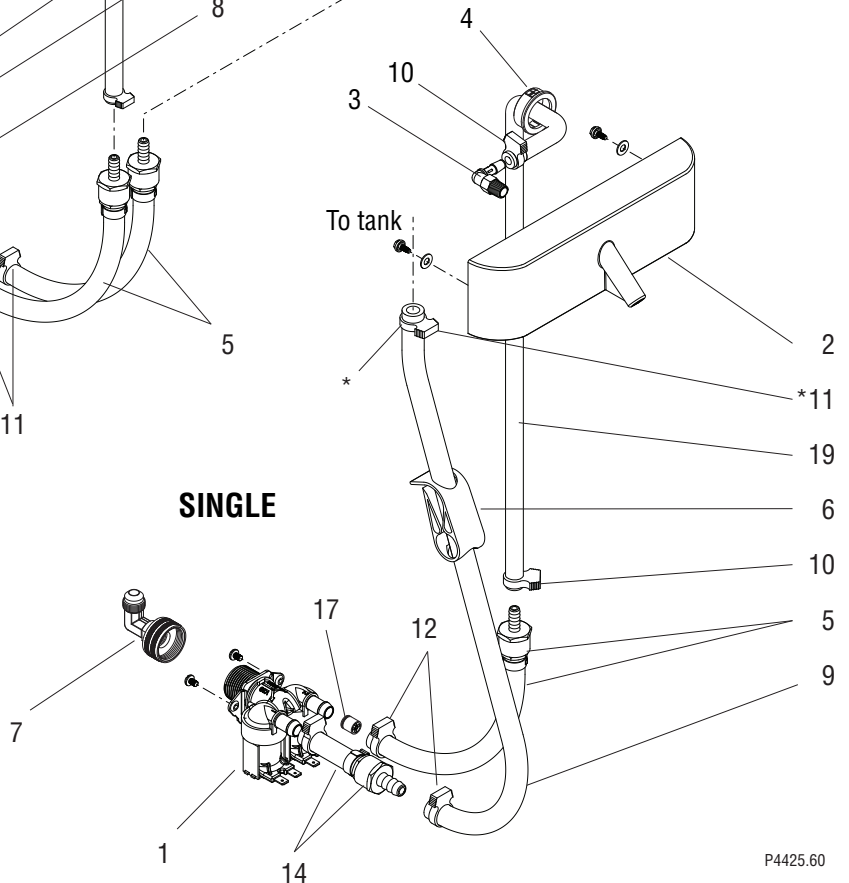
## ITCB HV Series

### TWIN



**\*NOTE:** Bottom of 200 oz. ITCB tank uses [12422.0006](#) snap clamp

### SINGLE



P4425.60

## FILL AND DILUTION

ITEM	PART NO.	QTY.		DESCRIPTION	
		HV TWIN	HV SNGL		ITCB
1	43041.0000	1	1	1	Valve, Water Inlet (DOUBLE)(See item 20)
	32283.0000	2	2	2	Screw, Pan Head M4 x 6MM
2	36360.1001	2	1	1	Nozzle, Dilution
	02332.0005	4	2	2	Screw, Hex #6 x .375"
	28614.0000	4	2	2	Washer, Washer, .204ID x .438OD x .03 SST
3	47355.0001	2	1	1	Elbow
4	01592.0001	2	1	1	Bushing, Snap
5	41665.0004	-	1	1	Tube Assembly, Dilution .50GPM (SINGLE)
	41665.0003	2	-	-	Tube Assembly, Dilution .50GPM (TWIN)
6	11630.0002	1	1	1	Clamp Shut Off, Tube
7	37297.1001	2	1	1	Elbow, .375" Flare x .75" FGHT
8	42025.0000	1	-	-	Valve, Water Inlet 120V (SINGLE) (See item 20)
	32283.0000	2	-	-	Screw, Pan Head M4 x 6MM
9		-	1	1	Tube, Silicone .375" ID x 20.0" (order item 22) SINGLE
		1	-	-	Tube, Silicone .375" ID x 16.0" (order item 22) TWIN
10	12422.0000	4	2	2	Clamp, Hose-Snap SNP # 6
11	12422.0001	6	2	1	Clamp, Hose-Snap SNP # 10
	12422.0006	-	-	1	Clamp, Hose-Snap SNP # 8 (ITCB Tank only)
12	12422.0005	-	2	2	Clamp, Hose-Snap SNP # 12
13	44168.0000	1	-	-	Tube Assembly
14	41666.0005	-	1	1	Tube Assembly, Fill .75GPM (SINGLE)
15		1	-	-	Tube, Silicone .375" ID x 3.0" (order item 20)
16	45313.0000	1	-	-	Connector
17	36378.0001	1	1	1	Check Valve
18		-	1	1	Tube, Silicone .25" ID x 20.0" (order item 21)
		2	-	-	Tube, Silicone .25" ID x 15.0" (order item 21)

**The following items are not illustrated**

19	20526.2500	-	Repair Kit, Flow Control (Includes O-ring & .50 GPM flow washer)	
	20526.2750	-	Repair Kit, Flow Control (Includes O-ring & .75 GPM flow washer)	
20	11707.1000	-	Tubing .250" I.D. x .5" OD x 1 Foot	
	11707.1001	-	Tubing .250" I.D. x .5" OD x 3 Feet	
	11707.1002	-	Tubing .250" I.D. x .5" OD x 10 Feet	
21	20976.1000	-	Tube, Silicone .375" ID x 12.0" (Use as required)	
	20976.1001	-	Tube, Silicone .375" ID x 36.0" (Use as required)	
	20976.1002	-	Tube, Silicone .375" ID x 120.0" (Use as required)	



## DISPENSE/BYPASS VALVES & SPRAYHEAD

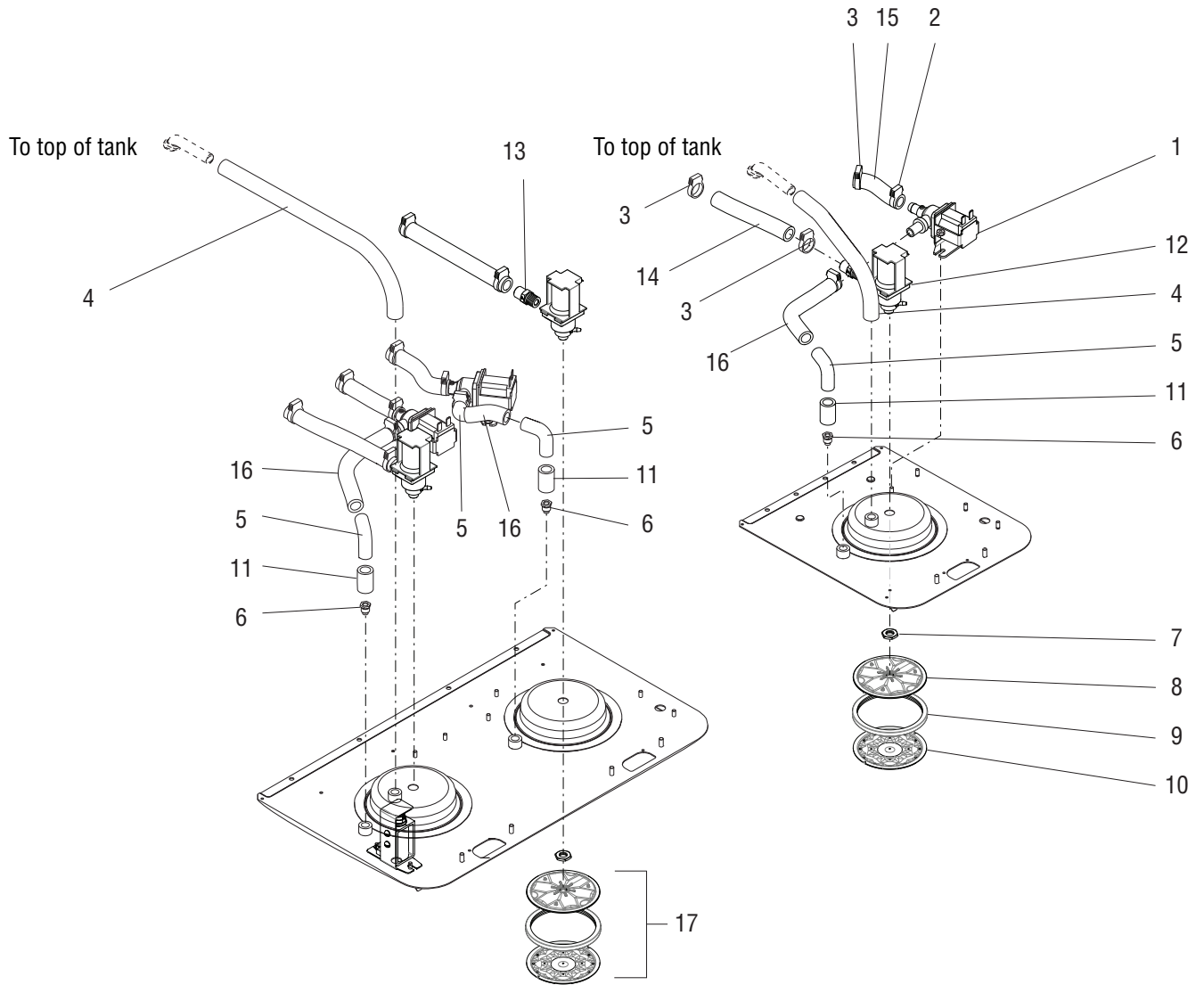
ITEM	PART NO.	QTY.	QTY.	QTY.	DESCRIPTION
		HV TWIN	HV SNGL	ITCB	
1	27370.0008	2	1	1	Valve, Bypass 120V
	27370.0005	-	1	1	Valve, Bypass 240V
	11517.0008	-	-	-	Repair Kit (Includes plunger, spring & diaphragm)
	23255.0000	-	-	-	Diaphragm Only
	22305.0001	2	1	1	Coil 120VAC
	22305.0002	2	1	1	Coil 240VAC
	23254.0000	8	4	4	Screw
	23256.0000	2	1	1	Spacer Plate
	00970.0000	4	2	2	Nut, KEPS
2	12422.0005	5	3	1	Clamp, Hose-Snap SNP #12
3	12422.0009	6	3	2	Clamp, Hose-Snap SNP #14
4		-	1	-	Tube .50" ID x 10.5" (Vent)
		1	-	-	Tube .50" ID x 15.0" (Vent)
		-	-	1	Tube .50" ID x 12.0" (Vent)
5	45928.0000	3	1	-	Elbow
6	34801.0001	2	1	-	Fitting, By-Pass Restrictor
7	01075.0000	2	1	1	Nut, Hex .438"-20
8	52112.0003	2	1	1	Back, Sprayhead
9	34868.0000	2	1	1	Seal
10	43920.0005	2	1	1	Sprayhead, 17 hole
11		2	1	-	Tube .50" ID x 1.10" (Order item 18)
12	26846.0005	2	1	1	Valve (Wave), Sprayhead 120V <b>(Discontinued, use 56771.0003)</b>
	26846.0006	2	1	1	Valve (Wave), Sprayhead 240V <b>(Discontinued, use 56771.0004)</b>
	11517.0008	-	-	-	Repair Kit (Includes plunger, spring & diaphragm)
	23255.0000	-	-	-	Diaphragm Only
	23254.0000	8	4	4	Screw
	23256.0000	2	1	1	Spacer Plate
	56771.0003	2	1	1	Valve Assembly (Wave), Sprayhead 120V
	56771.0004	2	1	1	Valve Assembly (Wave), Sprayhead 240V
	56815.0000	-	-	-	Repair Kit (Includes plunger, spring & diaphragm)
	56816.0000	-	-	-	Diaphragm Only
	22305.0001	2	1	1	Coil 120VAC (used in both styles)
	22305.0002	2	1	1	Coil 240VAC (used in both styles)
13	34956.0003	2	-	-	Fitting, .25 NPTF .550D/.281ID
	34956.0004	-	1	1	Fitting, .25 NPTF .550D/.255ID

Continued on next page



# DISPENSE/BYPASS VALVES & SPRAYHEAD

ITCB HV Series



## DISPENSE/BYPASS VALVES & SPRAYHEAD

ITEM	PART NO.	QTY.		QTY.	DESCRIPTION	
		HV TWIN	HV SNGL			
14		1	1	-	Tube .50" ID x 7.0" (Brew)	}
		1	-	-	Tube .50" ID x 9.0" (Brew)	
		1	-	1	Tube .50" ID x 7.88" (Brew)	
15		1	1	-	Tube .50" ID x 3.6" (Tank to Bypass) (Right)	}
		1	-	-	Tube .50" ID x 6.0" (Tank to Bypass) (Left)	
16		1	-	-	Tube .50" ID x 9.5" (Bypass to Elbow) Left	}
		1	-	-	Tube .50" ID x 2.0" (Bypass to Elbow) Right	
		-	1	-	Tube .50" ID x 7.5" (Bypass to Elbow)	
17	<a href="#">40670.1222</a>	2	1	1	Sprayhead Assy, 17 hole (Includes items 8 & 9)	

Order  
item 18

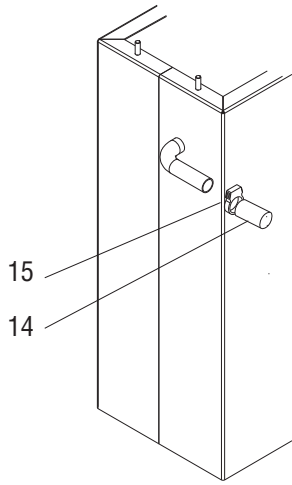
**The following items are not illustrated**

18	<a href="#">32591.1001</a>		Tube .50" ID x 1 Foot (Use as required)
	<a href="#">32591.1002</a>	-	Tube .50" ID x 3 Feet (Use as required)
	<a href="#">32591.1003</a>	-	Tube .50" ID x 10 Feet (Use as required)
	<a href="#">32591.1004</a>	-	Tube .50" ID x 250 Feet (Use as required)

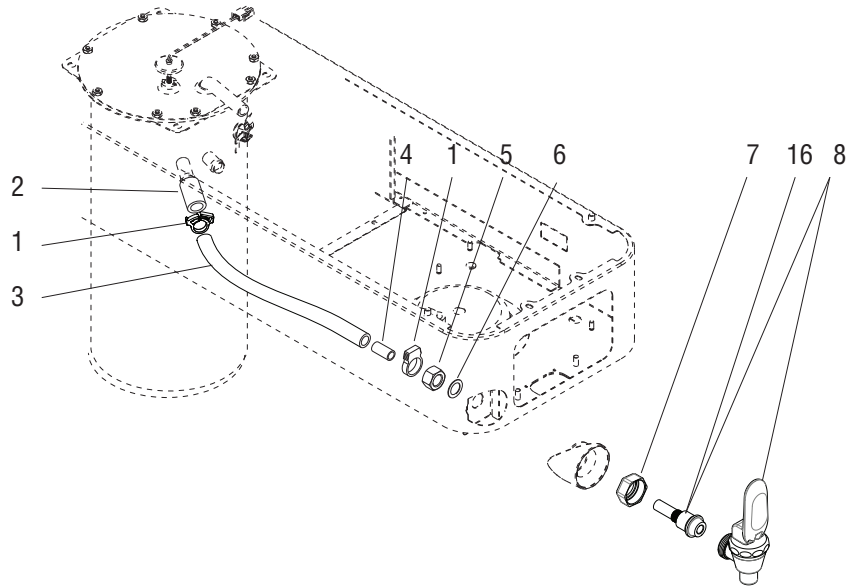


# FAUCET

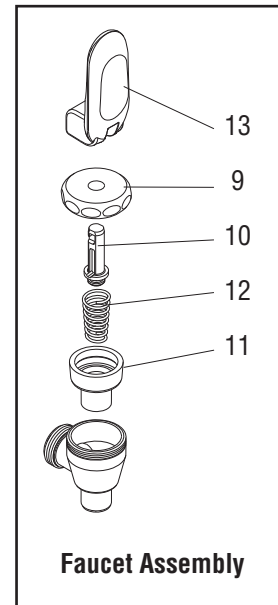
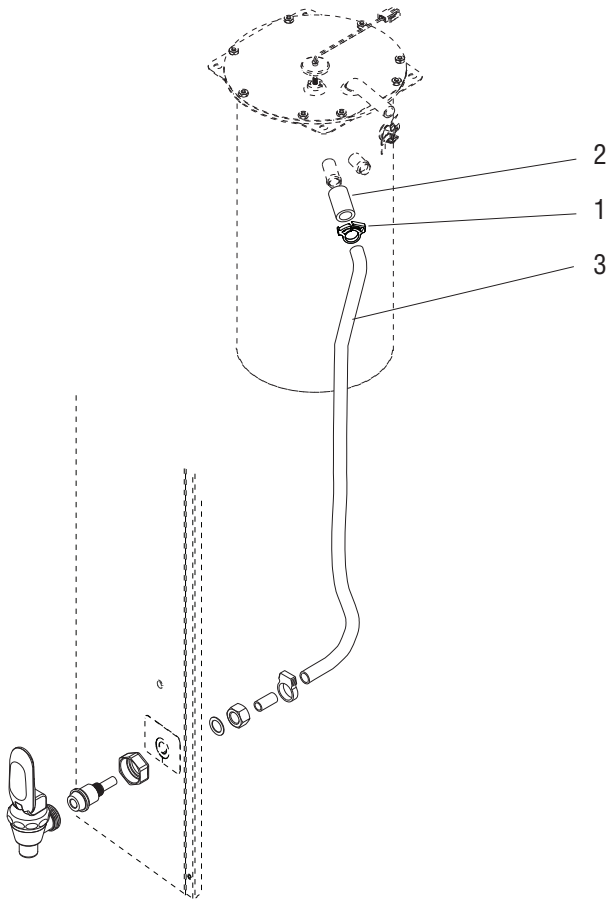
**ITCB HV Series**



**Top Mounted**



**Side Mounted**



**Faucet Assembly**

## FAUCET

ITEM	PART NO.	QTY.		QTY. ITCB	DESCRIPTION
		HV TWIN	HV SNGL		
1	12422.0009	2	2	2	Clamp
2		1	1	1	Tube, Silicone .50 ID x 1.8" (Order item 17)
3		1	1	1	Tube, Silicone .25 ID x 31.0" (Order item 18)
4		1	1	1	Tube, Silicone .375 ID x 1.2" (Order item 19)
5	29264.0000	1	1	1	Nut
6	01544.0000	1	1	1	Washer
7	01268.0000	1	1	1	Nut
8	42655.0007	1	1	1	Kit, Faucet Assy (Includes items 9 - 13)
9	29165.0002	1	1	1	Bonnet
10	29164.0000	1	1	1	Stem
11	00600.0000	1	1	1	Seat Cup
12	00601.0000	1	1	1	Spring
13	51315.0004	1	1	1	Handle, Red
14	29279.0000	1	1	1	Cap, Tube-Silicone
15	12422.0005	1	1	1	Clamp, Hose-Snap Type .62"-.71" ID
16	46390.0001	1	1	1	Shank, Faucet

**The following items are not illustrated**

17	32591.1001	-	Tube .50" ID x 12.0" (Use as required)
	32591.1002	-	Tube .50" ID x 36.0" (Use as required)
	32591.1003	-	Tube .50" ID x 120.0" (Use as required)
18	11707.1001	-	Tube, Silicone .25" ID x 3 Feet (Use as required)
	11707.1002	-	Tube, Silicone .25" ID x 10 Feet (Use as required)
	11707.1004	-	Tube, Silicone .25" ID x 250 Feet (Use as required)
19	41193.1000	-	Tube, Silicone .375 ID x 120.0" (Use as required)
	41193.1001	-	Tube, Silicone .375 ID x 36.0" (Use as required)
	41193.1002	-	Tube, Silicone .375 ID x 12.0" (Use as required)
20	51315.1004	-	Kit, Faucet Repair (Includes 10-13)



## ELECTRICAL AND OPERATING CONTROLS

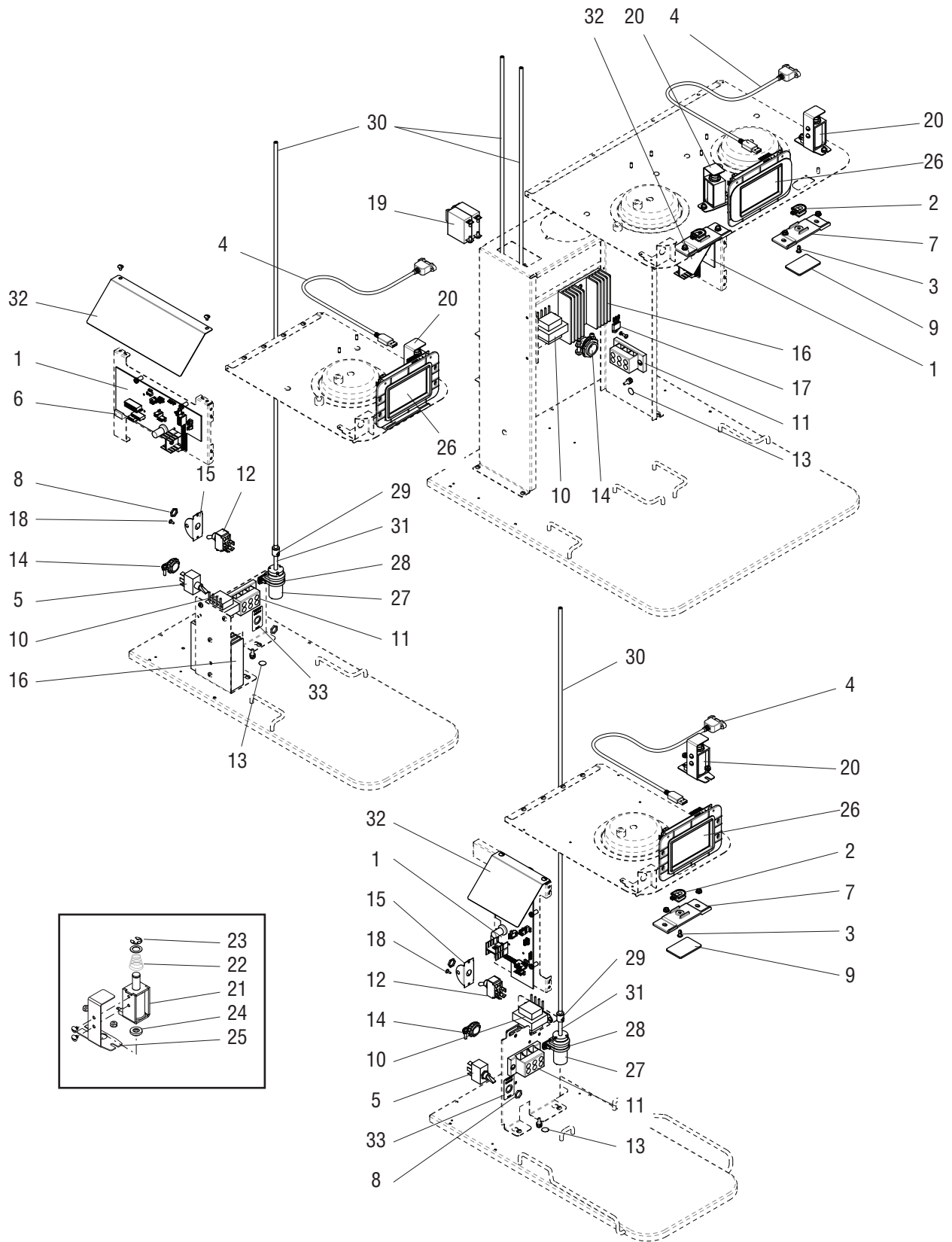
ITEM	PART NO.	QTY.	QTY.	QTY.	DESCRIPTION
		HV TWIN	HV SNGL	ITCB	
1	52887.1003	1	1	1	CBA, Main
	01533.0011	2	2	1	Spacer
	00973.0001	2	2	1	Nut
	29081.0000	2	2	1	Spacer
2	32572.1000	2	1	1	Sensing Coil
3	35956.0000	2	1	1	Fastener
4	45251.0000	1	1	1	USB Cable
5	23522.0001	-	1	1	Switch, Toggle DV
6	36366.0000	2	2	1	Mount, CBA
7	54170.0000	2	1	1	RFID Holder
8	23696.0000	-	1	1	Facenut
9	52947.0001	2	1	1	Seal
10	34307.1001	1	1	1	Transformer 120V
	01308.0002	2	2	1	Screw SST #6-32 x 1/4"
	01382.0003	-	2	1	Screw SST #6-32 x " (For use with DV bracket)
11	07038.0000	1	1	1	Terminal Block 120V
	01317.0000	2	2	1	Screw, Truss Head #8-32 x .50"
12	40763.0002	-	1	1	Switch, Toggle ON/OFF120V
13	00824.0002	1	1	1	Decal, Ground
14	01590.0000	1	1	1	Cord Connector
15	25102.0001	-	1	1	Bracket, Switch "I/O"
16	20541.0001	2	1	1	Heatsink
	01382.0007	4	2	1	Screw, 6-32 x .375
17	12565.0049	2	1	1	Triac 120V
	02328.0003	2	1	1	Screw, 6-32 x .312"
	01520.0000	2	1	1	Lock Washer
	M2522.1000	-	-	1	Heat Sink Compound, 5oz Tube
18	28098.0000	-	1	1	Fastener, Snap
19	38894.0001	1	-	1	Switch, Rocker - Main On/Off
	01308.0003	2	-	1	Screw, Truss Head #6-32 x .25"
20	35952.1006	2	1	1	Solenoid Assembly 120V (Includes 21-25)
	00970.0000	4	2	1	Nut, Keps #8-32
21	35955.0000	2	1	1	Coil, Solenoid 120V
	33613.0000	4	2	1	Screw, Truss Head #8-32 x .25"
	01519.0000	4	2	1	Lock Washer, Split #8
22	39982.0000	1	1	1	Spring

Continued on next page



# ELECTRICAL AND OPERATING CONTROLS

ITCB HV  
Series



## ELECTRICAL AND OPERATING CONTROLS

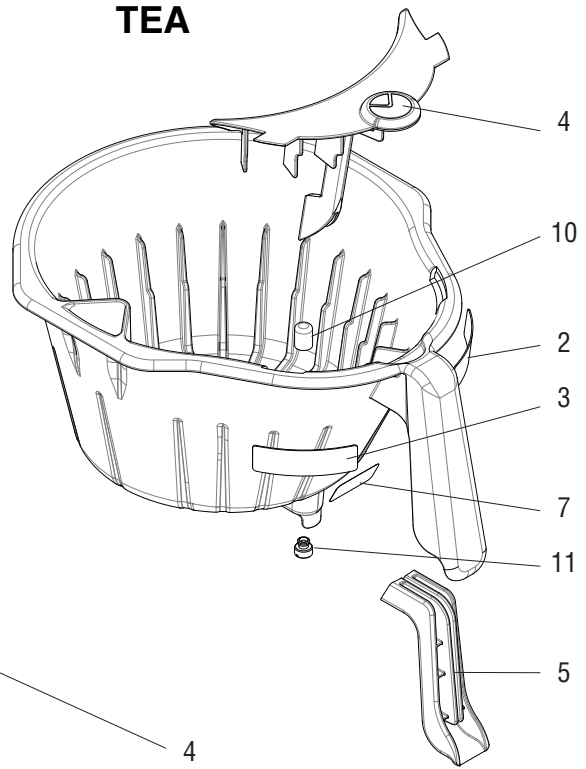
ITEM	PART NO.	QTY.		QTY. ITCB	DESCRIPTION
		HV TWIN	HV SNGL		
23	39981.0000	2	1	1	Retaining Ring
24	35953.0000	2	1	1	Guide, Pin
25	38280.0001	1	1	1	Bracket
26	55230.1000	1	1	1	Display Assy.
	00970.0000	4	4	1	Nut, Keps #8-32
27	38316.1000	2	1	1	Pump, Air
28	40935.0000	2	1	1	Clamp
	00973.0001	2	1	1	Nut
29	41505.0000	2	1	1	Check Valve
30		2	-	-	Tubing, 37.0" } (Order # 41)
		-	1	1	
31		2	1	1	Tubing, 1.25" (Order # 42)
32	43713.0002	1	1	-	Shield, CBA
	43713.0004	-	-	1	Shield, CBA
	01311.0001	2	2	1	Screw, Truss Head SST #8-32 x .25" Lkg
33	34056.0001	-	1	1	Decal, DV

**The following items are not illustrated**

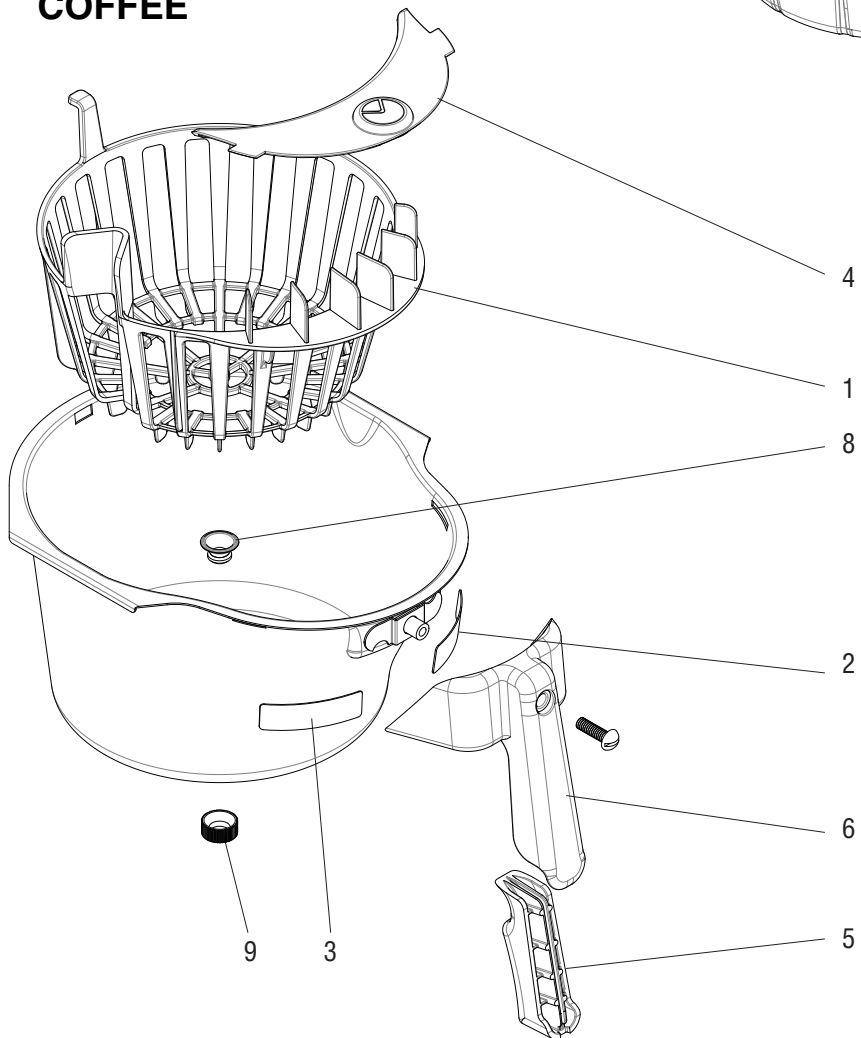
34	36677.0035	-	1	-	Wiring Harness, Main
	38040.0027	1	-	-	Wiring Harness, Main
	38040.0026	-	-	1	Wiring Harness, Main
35	36674.0018	-	1	-	Wiring Harness, Liquid Level
	37494.0013	-	-	1	Wiring Harness, Liquid Level
	36674.0019	1	-	-	Wiring Harness, Liquid Level
36	36675.0004	1	1	1	Wiring Harness, Sensing Coil (Left & Single) VIO
	36675.0005	1	-	-	Wiring Harness, Sensing Coil (Right Side Only) YEL
37	40081.0002	-	1	1	Wiring Harness, Main Sw to Term. Block
38	53172.0000	1	1	1	Wiring Harness, I/O to Display
39	53462.0000	1	-	-	Wiring Harness, Air Pumps to CBA
	53462.0001	-	1	1	Wiring Harness, Air Pump to CBA
40	32657.0001	1	-	-	Power Cord 120/240V
	20630.0005	-	1	1	Power Cord 120/240V
41	36630.1000	-	Tubing, 1'		
	36630.1001	-	Tubing, 3'		
	36630.1002	-	Tubing, 10'		



TEA



COFFEE



## FUNNEL ASSEMBLIES

ITEM	PART NO.	QTY.	QTY.	QTY.	DESCRIPTION
		HV TWIN	HV SNGL	ITCB	
-	53463.0039	1	1	1	Funnel Assy QB, Plastic Tea (Includes Item 2,3,4,5,7,10 & 11)
-	54675.0008	1	1	1	Funnel Assy, SST, Coffee (Includes Item 1,2,3,4,5,6,8 & 9)
1	54408.0003	1	1	1	Basket, Funnel Infusion w/Ribs
2	03408.0008	2	1	1	Decal, Warning Remove Funnel
3	03409.0006	2	1	1	Decal, Warning Hot Liquid
4	53374.0005	1	1	1	Splash Guard (Tea)
	53374.0009	1	1	1	Splash Guard (Coffee)
5	53544.0003	1	1	1	Insert, Funnel Handle (Tea)
	53544.0005	1	1	1	Insert, Funnel Handle (Coffee)
6	54550.0000	1	1	1	Handle
	54678.0000	1	1	1	Screw .25 - 20 x .88"
7	03536.0001	1	1	1	Decal, Quick Brew
8	32139.0000	1	1	1	Insert, Funnel Tip - Male
9	32140.0000	1	1	1	Insert, Funnel Tip - Female
10	03284.0001	1	1	1	Adaptor w/Screen
11	03407.0002/	1	1	1	Funnel Tip .114 Dia.