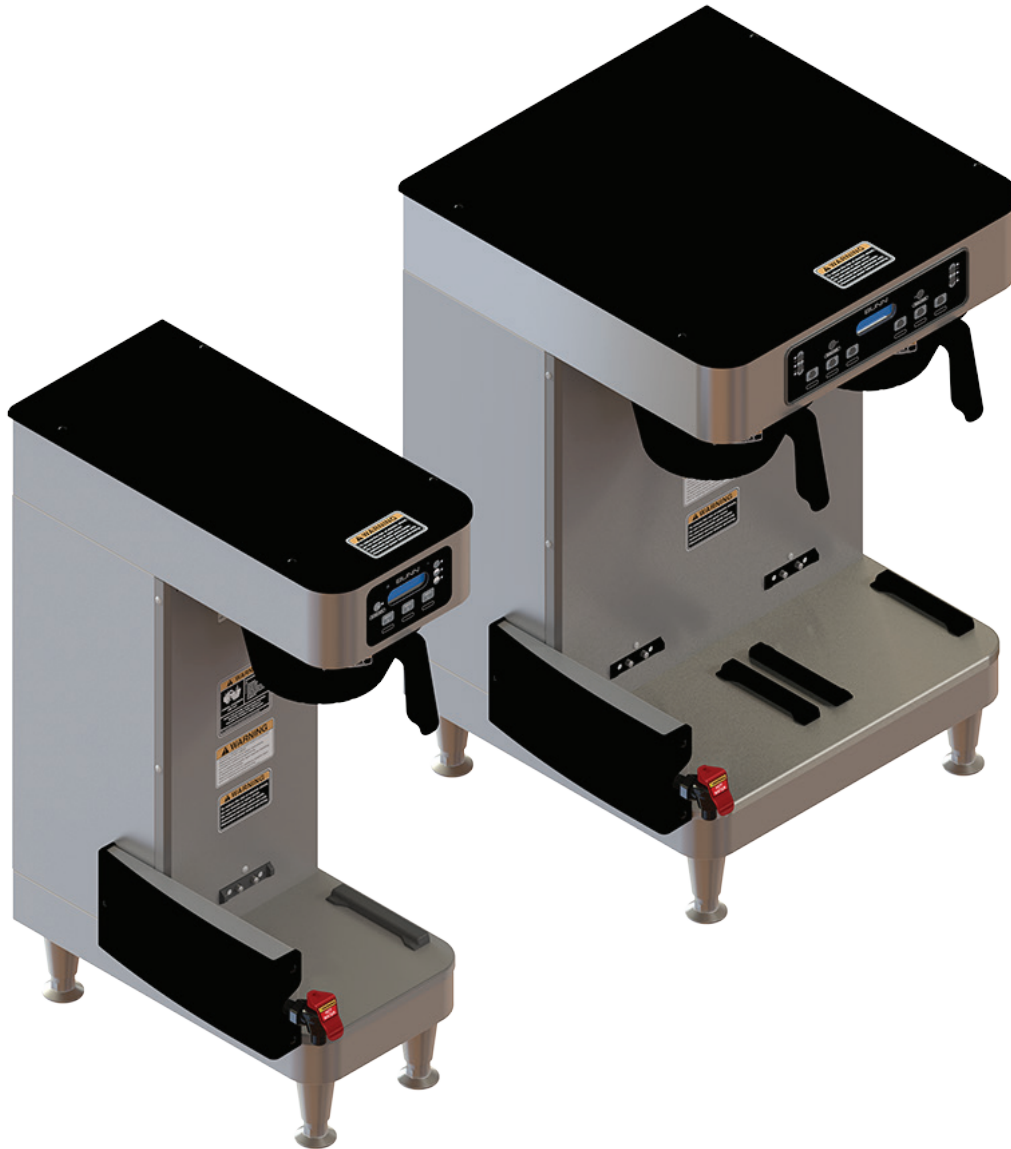


ICB Twin SH, ICB SH, ICBA SH



ILLUSTRATED PARTS CATALOG

Designs, materials, weights, specifications, and dimensions for equipment or replacement parts are subject to change without notice.

Bunn-O-Matic Corporation
Post Office Box 3227, Springfield, Illinois 62708-3227
Phone (217) 529-6601 | Fax (217) 529-6644

BUNN-O-MATIC COMMERCIAL PRODUCT WARRANTY

Warranty statements and information can be found on our website. Please visit <https://commercial.bunn.com/support/warranty-lookup> for further details.

TABLE OF CONTENTS

HOOD ASSEMBLIES	4
TRUNKS.....	6
BASES.....	8
TANK AND COMPONENTS	10
TANK FILL / DRAIN	12
DISPENSE / BYPASS VALVES AND SPRAYHEAD	14
FAUCET	18
ELECTRICAL AND OPERATING CONTROLS	22
EARLY & LATER STYLE POWER SUPPLY	28
FUNNELS	30

To order coffee filters, water filters, or other accessories, refer to Specification Sheets at www.bunn.com

ICB SH	120/208-240V
ICBA.....	230V
ICB Twin SH.....	120/208-240V

Fraction	Decimal		Fraction	Decimal
1/16	0.063		9/16	0.563
1/8	0.125		5/8	0.625
3/16	0.188		11/16	0.688
1/4	0.250		3/4	0.750
5/16	0.313		13/16	0.813
3/8	0.375		7/8	0.875
7/16	0.438		15/16	0.938
1/2	0.500		1	1.000

TIPS: _____



To **Search/Find** content in this document, use "**Ctrl+F**" (PC)

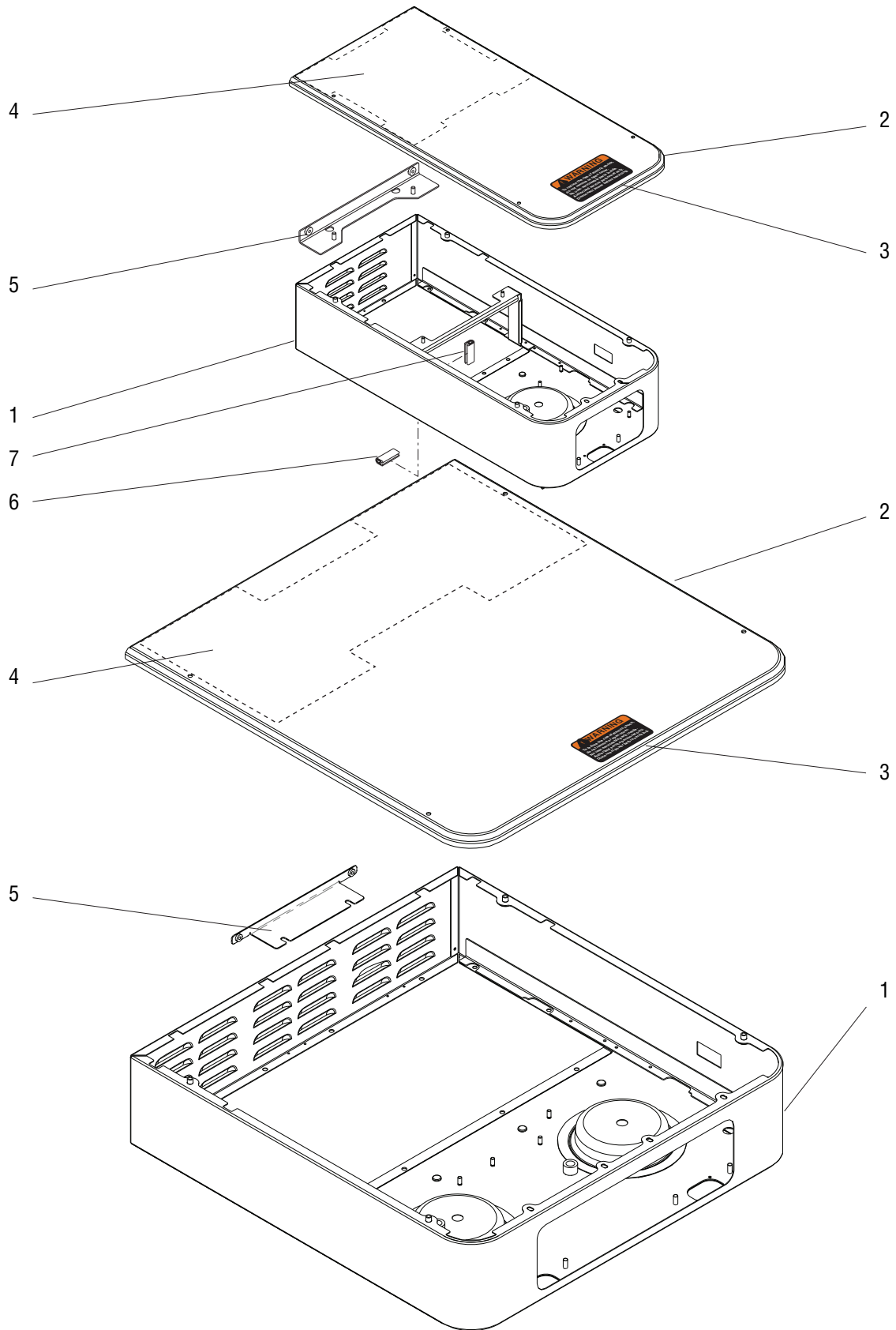


To **Search/Find** content in this document, use "**command+F**" (Mac)





HOOD ASSEMBLIES

ICB SH Series



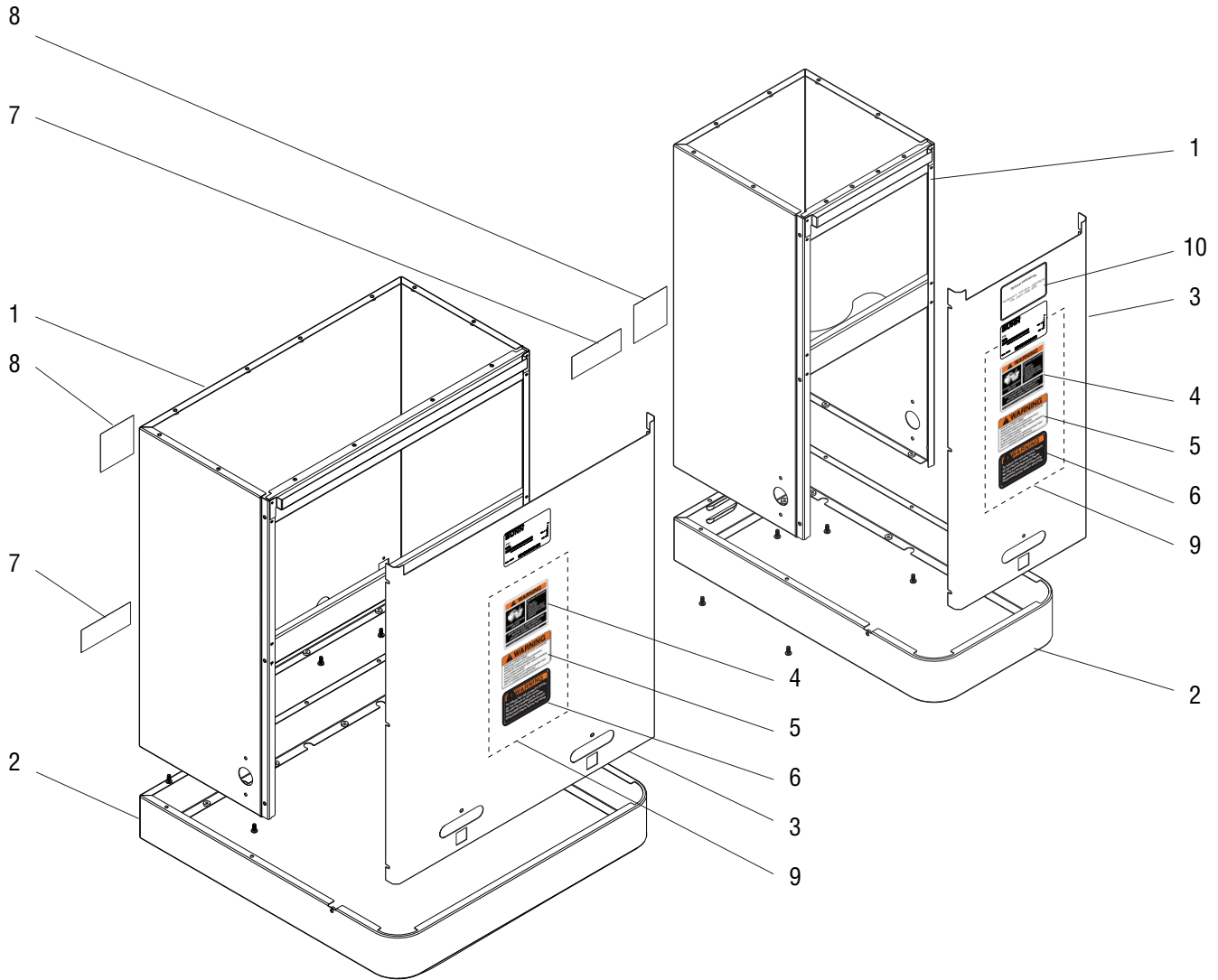
HOOD ASSEMBLIES

ITEM	PART NO.	QTY.		DESCRIPTION
		TWIN	SINGLE	
1	52706.0001	-	1	Hood, SST
	53049.0000	1	-	Hood, SST
	53049.0001	1	-	Hood, BLK
	02308.0000	12	10	Screw, Pan Head #8-32 x .38"
2	44736.1021	1	-	Cover, Top  Includes items 3 & 4
	44736.1023	-	1	Cover, Top  Includes items 3 & 4
	01311.0004	4	4	Screw, Truss Head BLK #6-32 x .25" Lkg
3	37881.0000	1	1	Decal, No Serviceable Parts
4	25151.0002	-	1	Shield, Insulator
	25151.0003	1	-	Shield, Insulator
5	37967.0001	1	-	Bracket, Tank Support, Twin (Upper)
	01308.0002	2	-	Screw, Truss Head #6-32 x .25" Lkg
	36608.0002	-	1	Bracket, Tank Support, Single
	01308.0002	-	2	Screw, Truss Head #8-32 x .25" Lkg
6	02712.0003	-	1	Edging 1.0"
7		-	1	Gasket, U-channel 1.0" (Order item 8)
8	02434.1000	-	-	Gasket, U-channel 18.0" (Cut to required length)

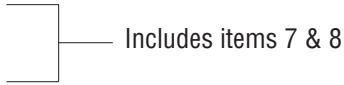
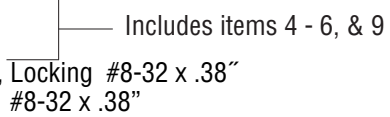


TRUNKS

ICB SH Series



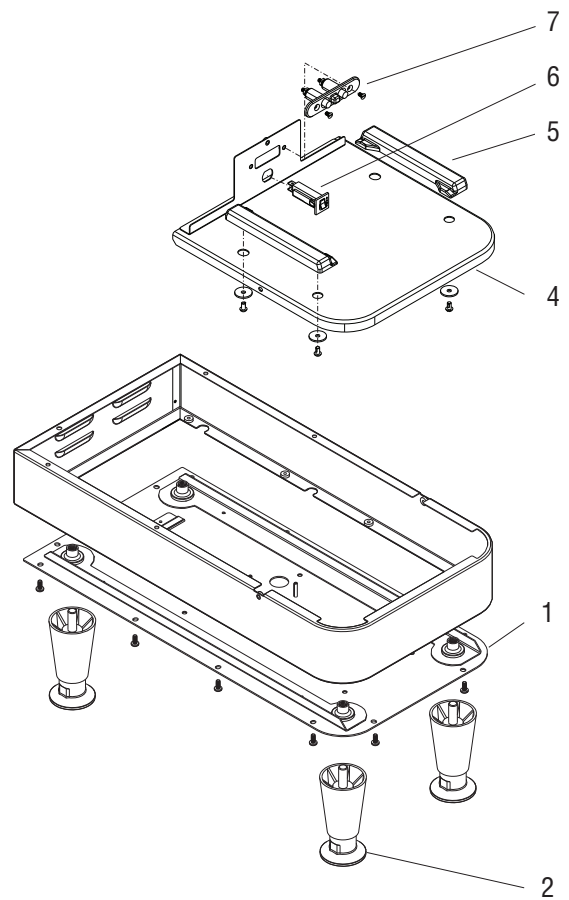
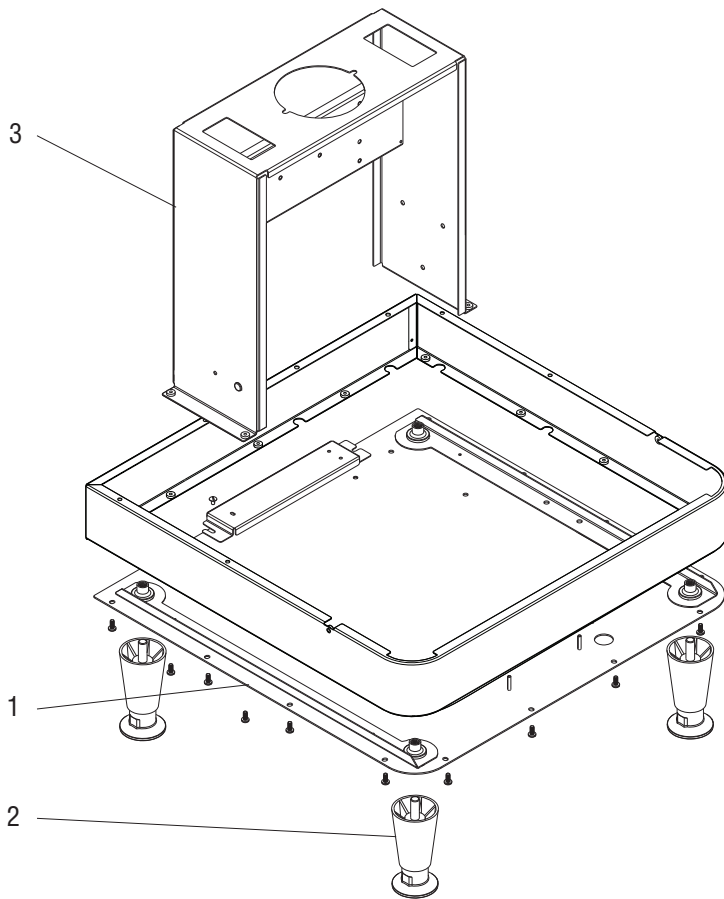
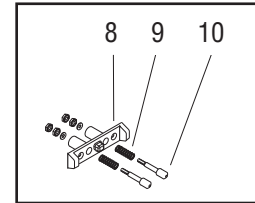
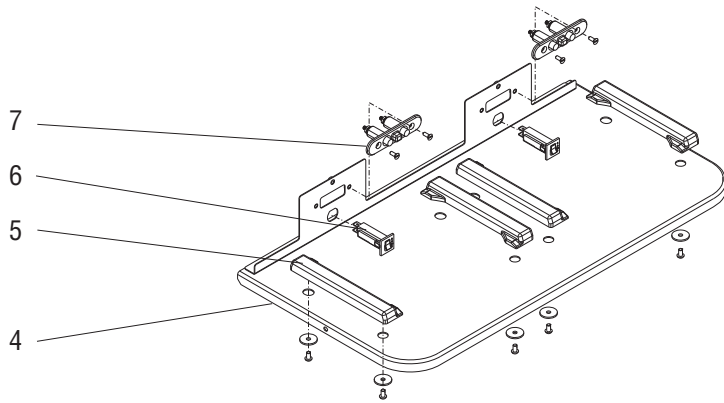
TRUNKS

ITEM	PART NO.	QTY. TWIN	QTY. SINGLE	DESCRIPTION
1	52655.1000	-	1	Trunk
	45860.1008	1	-	Trunk, SST
	52872.1001	1	-	Trunk, BLK
	02308.0000	8	6	Screw #8-32 x .38"
				
2	52652.0000	-	1	Base Housing
	52870.0000	1	-	Base Housing SST
	52870.0001	1	-	Base Housing BLK
3	52656.1000	-	1	Panel, Front
	52873.1000	1	-	Panel, Front
	01317.0003	8	-	Screw, Truss Head, Locking #8-32 x .38"
	01315.0000	-	7	Screw, Truss Head #8-32 x .38"
				
4	00658.0000	1	1	Decal, Warning-Decanter/Funnel
5	39175.0000	1	1	Decal, Warning Overlay Graphic
6	37881.0000	1	1	Decal, No User Serviceable Parts
7	00656.0001	1	1	Decal, Compliance To Plumbing Code
8	00986.0000	1	1	Decal, Warning-Electrical
9	53328.0000	1	-	Schematic, Electrical
	53494.0000	-	1	Schematic, Electrical, 120V
	53494.0001	-	1	Schematic, Electrical, 230V
	53494.0003	-	1	Schematic, Electrical, DV
10	29710.0011	-	1	Decal, Optional Field Wiring (DV Only)



BASES

ICB SH Series



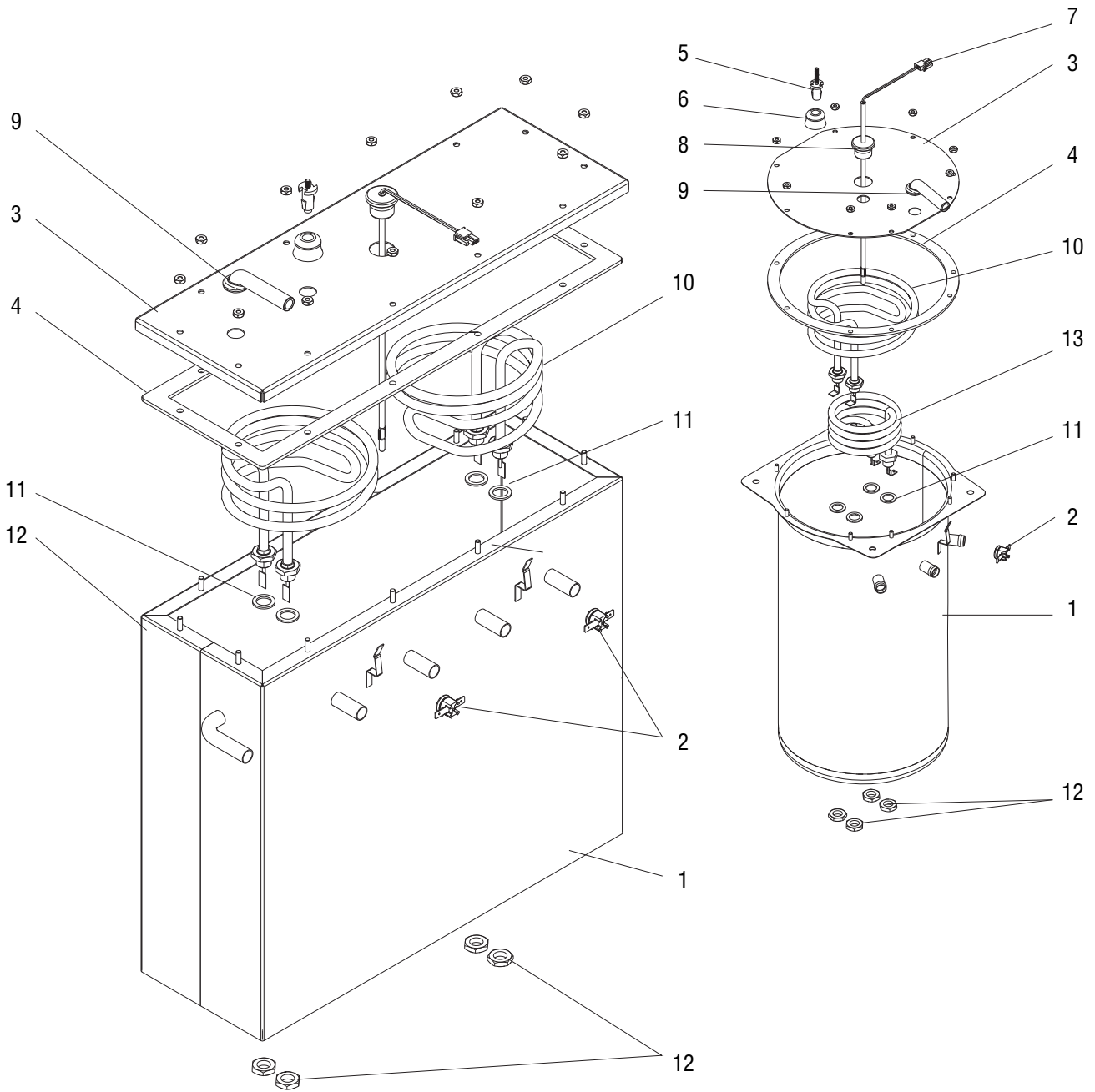
BASES

ITEM	PART NO.	QTY. TWIN	QTY. SINGLE	DESCRIPTION
1	52649.0001	-	1	Base, Standard Single
	52867.0002	1	-	Base, Standard Twin, SST
	52867.0003	1	-	Base, Standard Twin, BLK
2	40041.0000	4	4	Leg
	40042.0000	4	4	Pad, Anti Skid
3	37953.0004	1	-	Lower Tank Support (Std. Twin)
	02308.0000	4	-	Screw #8-32 x .38"
4	52668.0000	-	1	Server Platform
	52877.0000	1	-	Server Platform
	02308.0000	2	2	Screw #8-32 x .38"
5	51506.0000	4	2	Server Guide
	02308.0000	8	4	Screw #8-32 x .38"
	54116.0000	8	4	Washer, Rubber Sealing
6	27181.0001	2	1	Circuit Breaker, 4 amp
7	53450.1000	2	1	Receptacle Assembly, Spring Contact (Includes items 8, 9 & 10)
	20608.0000	4	2	Screw, Flat Head #6-32 x .25"
8	53450.0000	2	1	Housing, Spring Contact
9	27788.0000	4	2	Spring
10	27748.0000	4	2	Pin, Contact
	01521.0000	4	2	Washer, Flat
	00973.0000	8	4	Nut, Keps #6-32 - Zinc Pl



TANK AND COMPONENTS

ICB SH Series



TANK AND COMPONENTS

ITEM	PART NO.	QTY. TWIN	QTY. SINGLE	DESCRIPTION	
1	37782.0005	1	-	Tank, Twin 240V Flat Bottom	
	36604.0000	-	1	Tank, Single	
	00970.0000	-	3	Nut, Keps #8-32	
	00908.0000	-	2	Nut, #8-32	} Ground circuit for liquid level probe - Singles
	01501.0000	-	2	Flat Washer	
	20203.0100	-	2	Lockwasher, Ext. Tooth #8	
2	29329.1000	2	1	Thermostat, Limit	
3	37776.0005	1	-	Tank Lid, Twin (New Style, left vent only)	
	36606.0001	-	1	Tank Lid, Single	
	00908.0000	12	8	Nut, #8-32	} Ground circuit for liquid level probe - Twins
	01511.0000	2	1	Lockwasher, Ext. Tooth #8	
4	35937.0002	1	-	Gasket, Twin Tank Lid (Squared)	
	36605.0000	-	1	Gasket, Single Tank Lid	
5	07412.1002	1	1	Probe Kit, Liquid Level	} Included in kit
	01501.0000	1	1	Flat Washer	
	20203.0100	1	1	Lockwasher, Int. Tooth #8	
	00908.0000	1	1	Nut, #8-32	
6	38114.0000	1	1	Grommet, Liquid Level Probe	
7	39085.1001	1	1	Probe, Temperature Sensor 10.5"	
8	33801.0003	1	1	Grommet, Temperature Sensor	
9	38969.0003	1	1	Fitting, 90° Silicone	
10	29485.1005	-	1	Tank Heater 2268W, 120V (Includes item 11) Single & DV	
	29485.1006	2	-	Tank Heater 3000W, 240V (Includes item 11) Twin	
	29485.1007	2	-	Tank Heater 3000W, 208V (Includes item 11) Twin	
	29485.1009	-	1	Tank Heater 3500W, 208V (Includes item 11) Single	
	29485.1010	-	1	Tank Heater 4000W, 208V (Includes item 11) Single	
11	00943.0000	4	4	Gasket, Tank Heater	
12	00942.0000	4	4	Nut, Brass .5"-20	
13	02755.1000	-	1	Tank Heater 1800W, 120V (Includes item 11) Single DV Only	
	05037.1000	-	1	Tank Heater 3500W, 240V (Includes item 11) ICB SH CE	

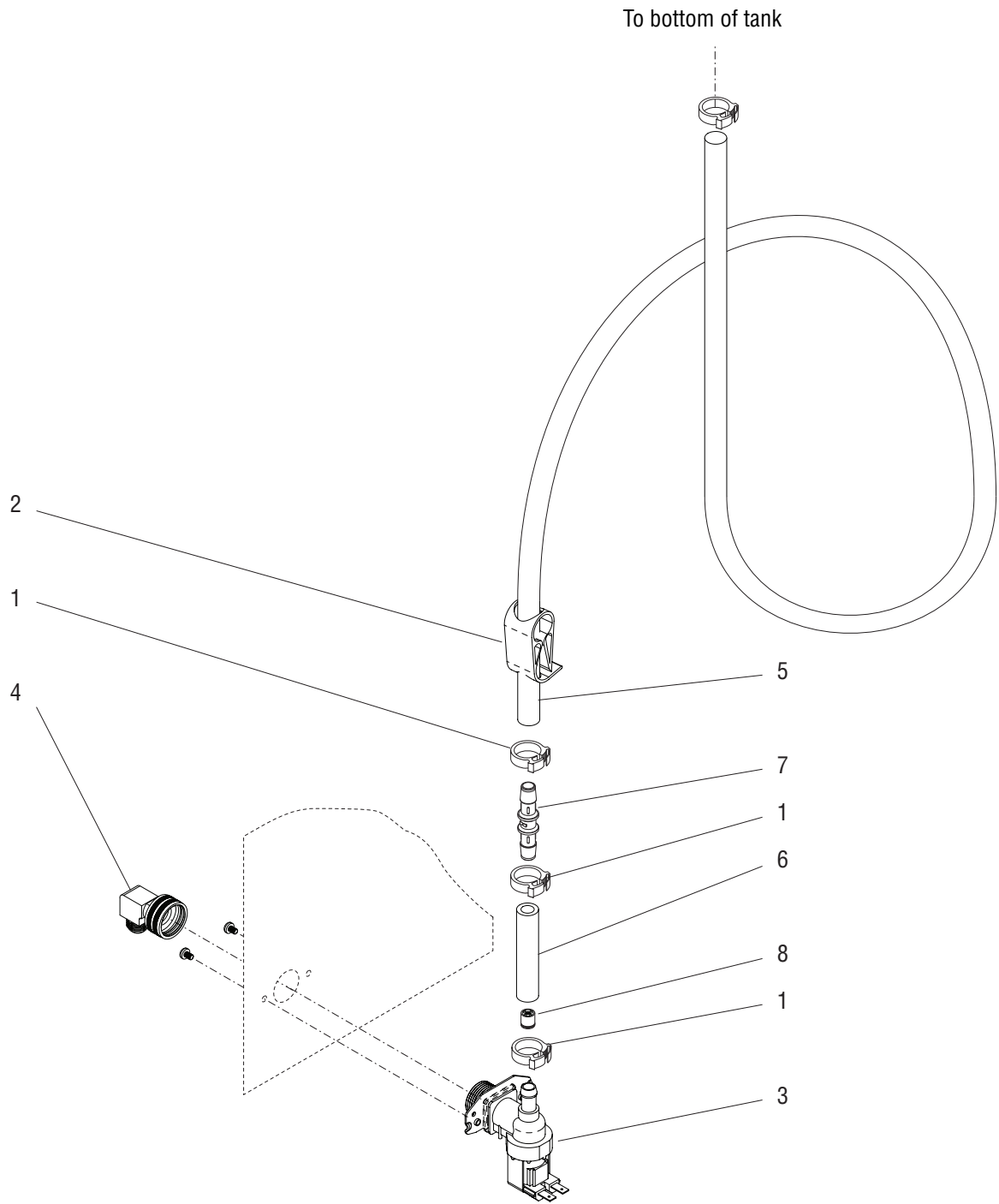
The following items are not illustrated

14	22918.0002	-	2	Thermal Fuse (GE Only)
15	53492.0000	1	-	Insulation, Tank
	53492.0001	-	1	Insulation, Tank



TANK FILL / DRAIN

ICB SH Series



TANK FILL / DRAIN

ITEM	PART NO.	QTY. TWIN	QTY. SINGLE	DESCRIPTION
1	12422.0001	4	4	Clamp, Hose-Snap SNP # 10
2	11630.0002	1	1	Clamp Shut Off, Tube
3	36233.1000	1	1	Valve, Water Inlet 120V
	36233.0001	-	1	Valve, Water Inlet 240V
	32283.0000	2	2	Screw, Pan Head M4 x 6MM
	43644.0000	-	-	Kit, Valve Rebuild
	46884.0000	1	1	Strainer, Inlet
4	37297.1001	1	1	Elbow, .375" Flare x .75" FGHT
5		1	1	Tube, Silicone .375" ID x 19.0" (order item 10)
6		1	1	Tube, Silicone .375" ID x 3.0" (order item 10)
7	45313.0000	1	1	Connector, Union
8	36378.0001	1	1	Check Valve
9	46028.0000	1	1	Kit, Check Valve (Includes 6-8)

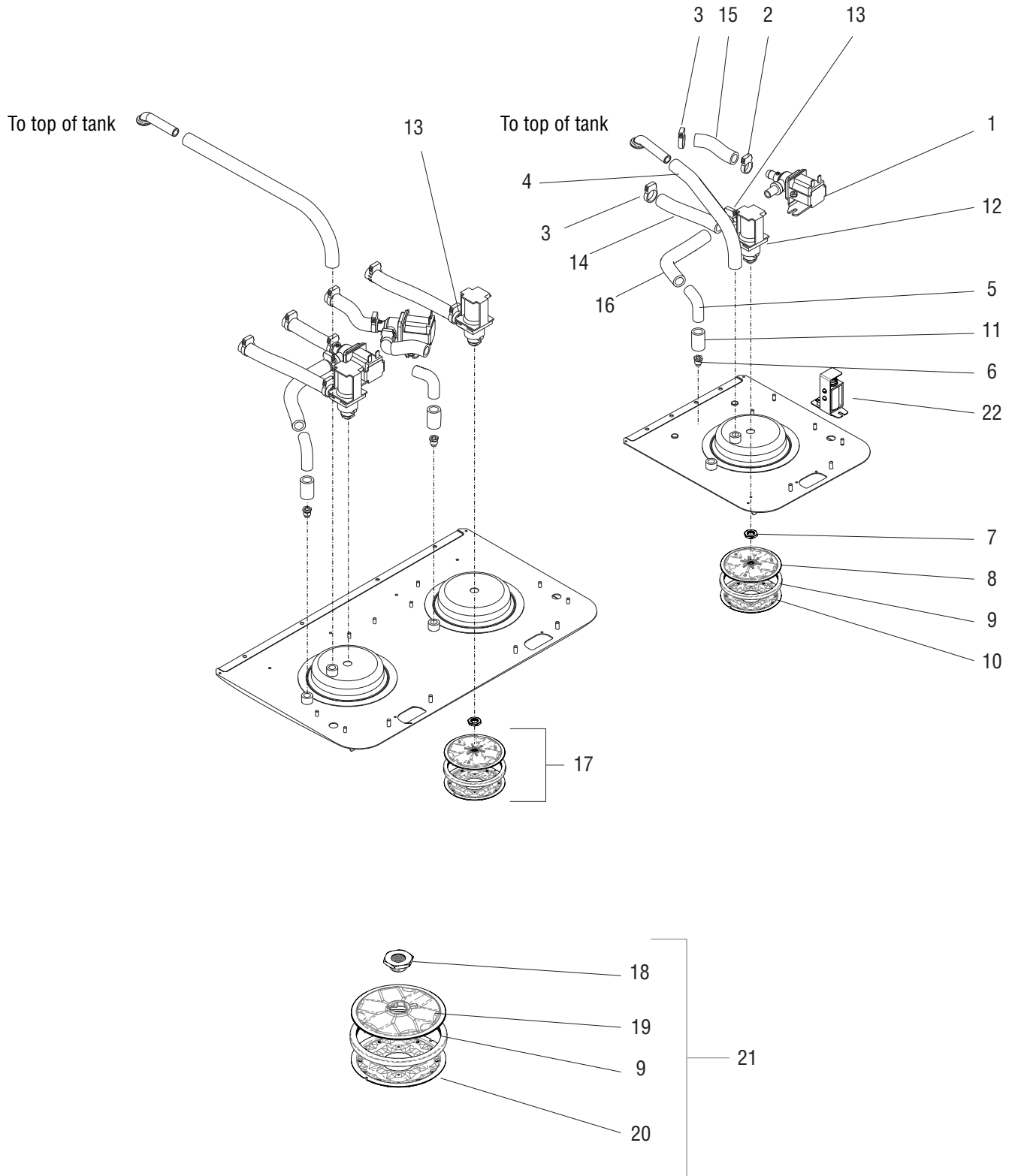
The following items are not illustrated

10	20976.1000	-	-	Tube, Silicone .375" ID x 12.0" (Use as required)
	20976.1001	-	-	Tube, Silicone .375" ID x 36.0" (Use as required)
	20976.1002	-	-	Tube, Silicone .375" ID x 120.0" (Use as required)



DISPENSE / BYPASS VALVES AND SPRAYHEAD

ICB SH Series



DISPENSE / BYPASS VALVES AND SPRAYHEAD

ITEM	PART NO.	QTY.		DESCRIPTION	
		TWIN	SINGLE		
1	27370.0008	2	1	Valve, Bypass 120V	
	27370.0005	-	1	Valve, Bypass 240V	
	11517.0008	-	-	Repair Kit (Includes plunger, spring & diaphragm)	
	23255.0000	-	-	Diaphragm Only	
	22305.0001	2	1	Coil 120VAC	
	22305.0002	2	1	Coil 240VAC	
	23254.0000	8	4	Screw	
	23256.0000	2	1	Spacer Plate	
	00970.0000	4	2	Nut, KEPS #8-32	
2	12422.0009	4	2	Clamp, Hose Snap .71/.80ID	
3	12422.0005	4	2	Clamp, Hose-Snap Type .62/.71ID	
4		-	1	Tube .50" ID x 8.75" (Ven22)	} Order Item 23
		1	-	Tube .50" ID x 9.75" (Vent)	
5	45928.0000	3	1	Elbow	
6	34801.0001	2	1	Fitting, By-Pass Restrictor	
7	01075.0000	2	1	Nut, Hex .438"-20	
8	52112.0003	2	1	Back, Sprayhead	
9	34868.0000	2	1	Seal	
10	43920.0005	2	1	Sprayhead, 17 hole	
11		2	1	Tube .50" ID x 1.10" (Order item 22)	
12		2	1	Valve Assembly, Sprayhead 120V (Discontinued, use 56771.0000)	
		2	1	Valve Assembly, Sprayhead 240V (Discontinued, use 56771.0002)	
	11517.0008	-	-	Repair Kit (Includes plunger, spring & diaphragm)	
	23255.0000	-	-	Diaphragm Only	
	23254.0000	8	4	Screw	
	23256.0000	2	1	Spacer Plate	
	56771.0000	2	1	Valve Assembly, Sprayhead 120V	
	56771.0002	2	1	Valve Assembly, Sprayhead 240V	
	56815.0000	-	-	Repair Kit (Includes plunger, spring & diaphragm)	
	56816.0000	-	-	Diaphragm Only	
	22305.0001	2	1	Coil 120VAC (used in both styles)	
22305.0002	2	1	Coil 240VAC (used in both styles)		
13	34956.0013	2	-	Fitting, .25 NPTF .550D/.281ID	
	34956.0014	-	1	Fitting, .25 NPTF .550D/.255ID	
14		-	1	Tube .50" ID x 4.875" (Brew)	} Order Item 23
		2	-	Tube .50" ID x 6.75" (Brew)	
15		1	-	Tube .50" ID x 3.6" (Tank to Bypass) (Left)	} Order Item 23
		1	-	Tube .50" ID x 5.75" (Tank to Bypass) (Right)	
		-	1	Tube .50" ID x 2.75" (Tank to Bypass)	
16		1	-	Tube .50" ID x 8.5" (Bypass to Elbow) Left	} Order Item 23
		1	-	Tube .50" ID x 4.0" (Bypass to Elbow) Right	
		-	1	Tube .50" ID x 6.5" (Bypass to Elbow)	
17	40670.1222	2	1	Sprayhead Assy, 17 hole (Includes items 8 -10)	

DISPENSE / BYPASS VALVES AND SPRAYHEAD

ITEM	PART NO.	QTY.	QTY.	DESCRIPTION
		TWIN	SINGLE	
18	56914.0000	2	1	Adapter, Infusion Sprayhead
19	56941.0000	2	1	Sprayhead, Back Flat Plastic Twist
20	43920.0005	2	1	Sprayhead, 17 Hole Plastic Wave w/Ribs
21	40670.1025	2	1	Kit, Sprayhead 17 Hole w/Twist Adapter (ICBA SH CE)
22	35952.1007	-	1	Kit, Solenoid Assy Funnel 230V (ICBA SH CE 220-240V)

The following items are not illustrated

23	32591.1001	-	-	Tube .50" ID x 1 Foot (Use as required)
	32591.1002	-	-	Tube .50" ID x 3 Feet (Use as required)
	32591.1003	-	-	Tube .50" ID x 10 Feet (Use as required)
	32591.1004	-	-	Tube .50" ID x 250 Feet (Use as required)

FAUCET

ITEM	PART NO.	QTY. TWIN	QTY. SINGLE	DESCRIPTION
1	12422.0005	2	-	Clamp, Hose-Snap Type .62/.71ID
	12422.0005	-	2	Clamp, Hose-Snap Type .62/.71ID
2	45928.0000	-	1	Elbow
3	-----	-	1	Tube .50" ID x 1.80" (Order item 24)
4	-----	1	-	Tube .38" ID x 36.0" Faucet (Order item 23)
	-----	-	1	Tube .50" ID x 32.0" Faucet (Order item 24)
5	52847.0001	1	1	Plate
6	35332.0000	1	1	Grommet
7	52847.0000	1	1	Spacer
8	52842.0100	1	1	Bracket
	00908.0000	3	3	Nut
	01502.0000	3	3	Lockwasher
	01315.0000	1	1	Screw
9	00950.0000	1	1	Spacer
10	29264.0000	1	1	Nut
11	01544.0000	1	1	Washer, .50" ID x .75" OD
12	01268.0000	1	1	Nut
	52879.0001	1	1	Cover
13	01317.0005	3	3	Screw
	03260.1026	1	1	Faucet Assy (Includes items 15 - 20)
14	03260.1026	1	1	Faucet Assy (Includes items 15 - 20)
15	35758.0002	1	1	Body
16	29165.0002	1	1	Bonnet
17	29164.0000	1	1	Stem
18	00600.0000	1	1	Seat Cup
19	00601.0000	1	1	Spring
20	45946.0001	1	1	Handle, Red
21	52945.0000	1	1	Badge
22	46390.0001	1	1	Shank, Faucet

The following items are not illustrated

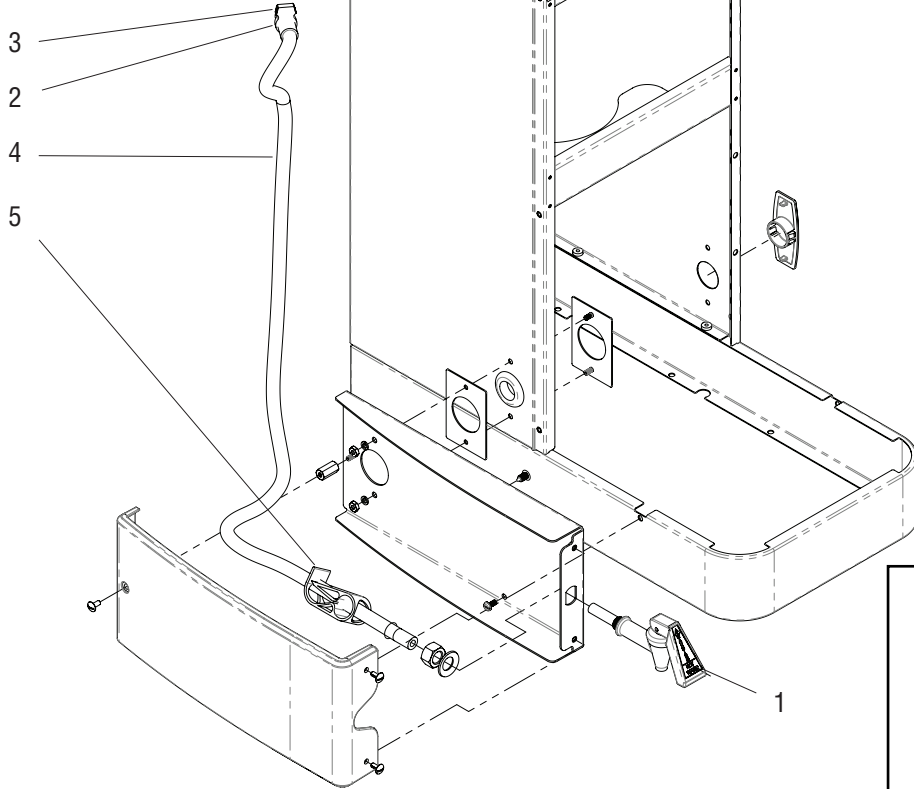
23	20976.1000	-	-	Tube, Silicone .375" ID x 12.0" (Use as required)
	20976.1001	-	-	Tube, Silicone .375" ID x 36.0" (Use as required)
	20976.1002	-	-	Tube, Silicone .375" ID x 120.0" (Use as required)
24	32591.1001	-	-	Tube .50" ID x 1 Foot (Use as required)
	32591.1002	-	-	Tube .50" ID x 3 Feet (Use as required)
	32591.1003	-	-	Tube .50" ID x 10 Feet (Use as required)
	32591.1004	-	-	Tube .50" ID x 250 Feet (Use as required)
25	51315.1004	-	-	Faucet Repair Kit (Includes 17-20)



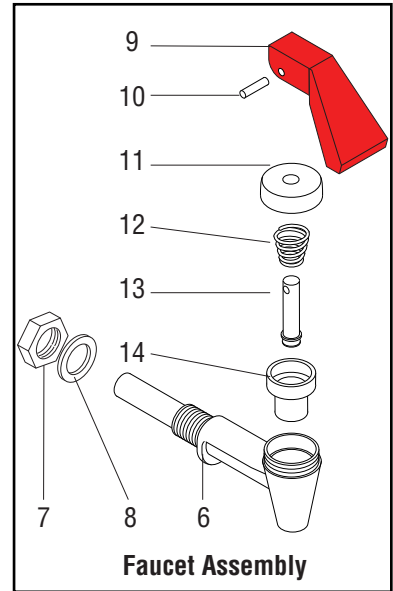
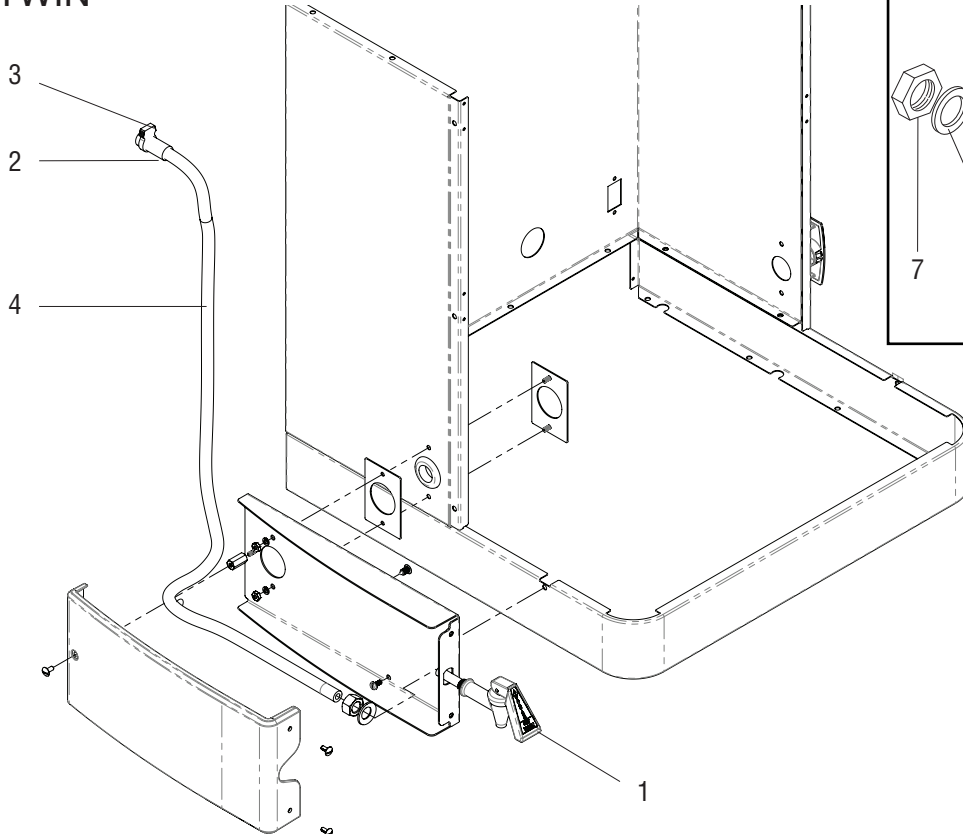
FAUCET - GRAVITY FAUCET/HANDLE WITH PIN

ICB SH Series

SINGLE



TWIN



FAUCET

ITEM	PART NO.	QTY. TWIN	QTY. SINGLE	DESCRIPTION
1	29075.0000	1	1	Faucet Assy (Includes items 6, 9, 10, 11, 12, 13 & 14)
2	-----	1	1	Tube, Silicone .38ID X 1.5LG (Order item 17)
3	12422.0005	1	1	Clamp, Hose-Snap Type .62/.71ID
4	-----	-	1	Tube, Silicone .25 ID x 36 LG (Order item 16)
	-----	1	-	Tube, Silicone .25 ID x 46 LG (Order item 16)
5	11630.0002	-	1	Clamp Shut Off, Tube
6	-----	1	1	Faucet Body,Crm w/Sht Spout (Order item 1)
7	29264.0000	1	1	Nut, Hex SST .50-20UNF
8	53592.0000	1	1	Washer, Belleville .531 ID X 1.00 OD SST
9	02861.0103	1	1	Handle, Faucet Red Wrn Hot AM
10	02858.0000	1	1	Pin, Spring-Coiled.125DIA .5LG
11	02854.0000	1	1	Faucet Bonnet, Brass Crm Pld
12	02595.0000	1	1	Faucet Spring, Compression-Cone
13	13054.0000	1	1	Faucet Stem, Brass Nkl Plated
14	02766.0000	1	1	Faucet Seat Cup, Silicone
	02766.1001	-	-	Kit, Seat Cup 5/Kit (Qty-5)
15	28706.0002	1	1	Faucet Repair Kit, Red Lift Hd (Includes items 9 - 14)

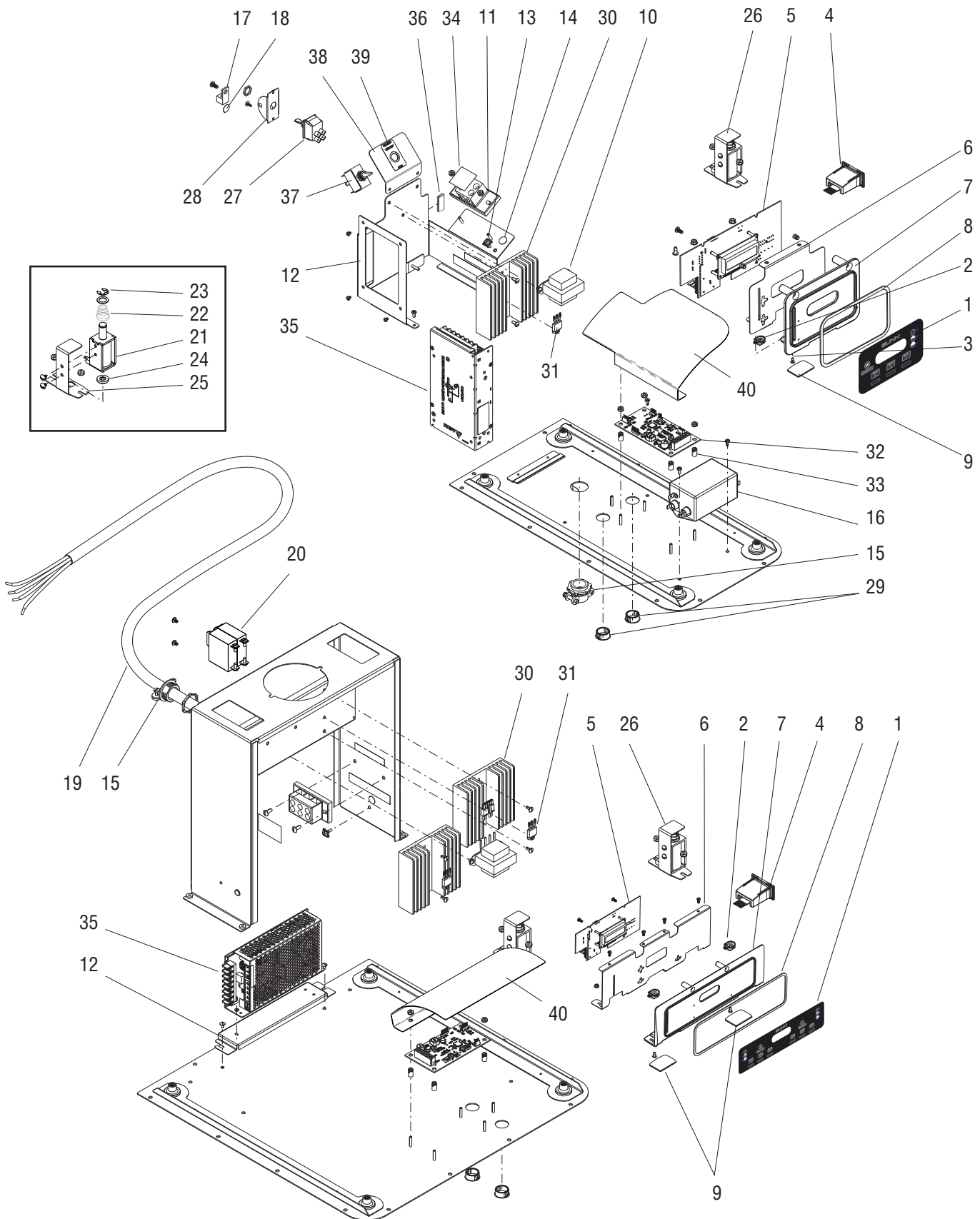
The following items are not illustrated

16	11707.1000	-	-	Tube, Silicone -.25ID X 12.0"LG (Use as required)
	11707.1001	-	-	Tube, Silicone -.25ID x 36.0"LG (Use as required)
	11707.1002	-	-	Tube, Silicone -.25ID X 120.0"LG (Use as required)
17	20976.1000	-	-	Tube, Silicone .375" ID x 12.0" (Use as required)
	20976.1001	-	-	Tube, Silicone .375" ID x 36.0" (Use as required)
	20976.1002	-	-	Tube, Silicone .375" ID x 120.0" (Use as required)



ELECTRICAL AND OPERATING CONTROLS

ICB SH Series



ELECTRICAL AND OPERATING CONTROLS

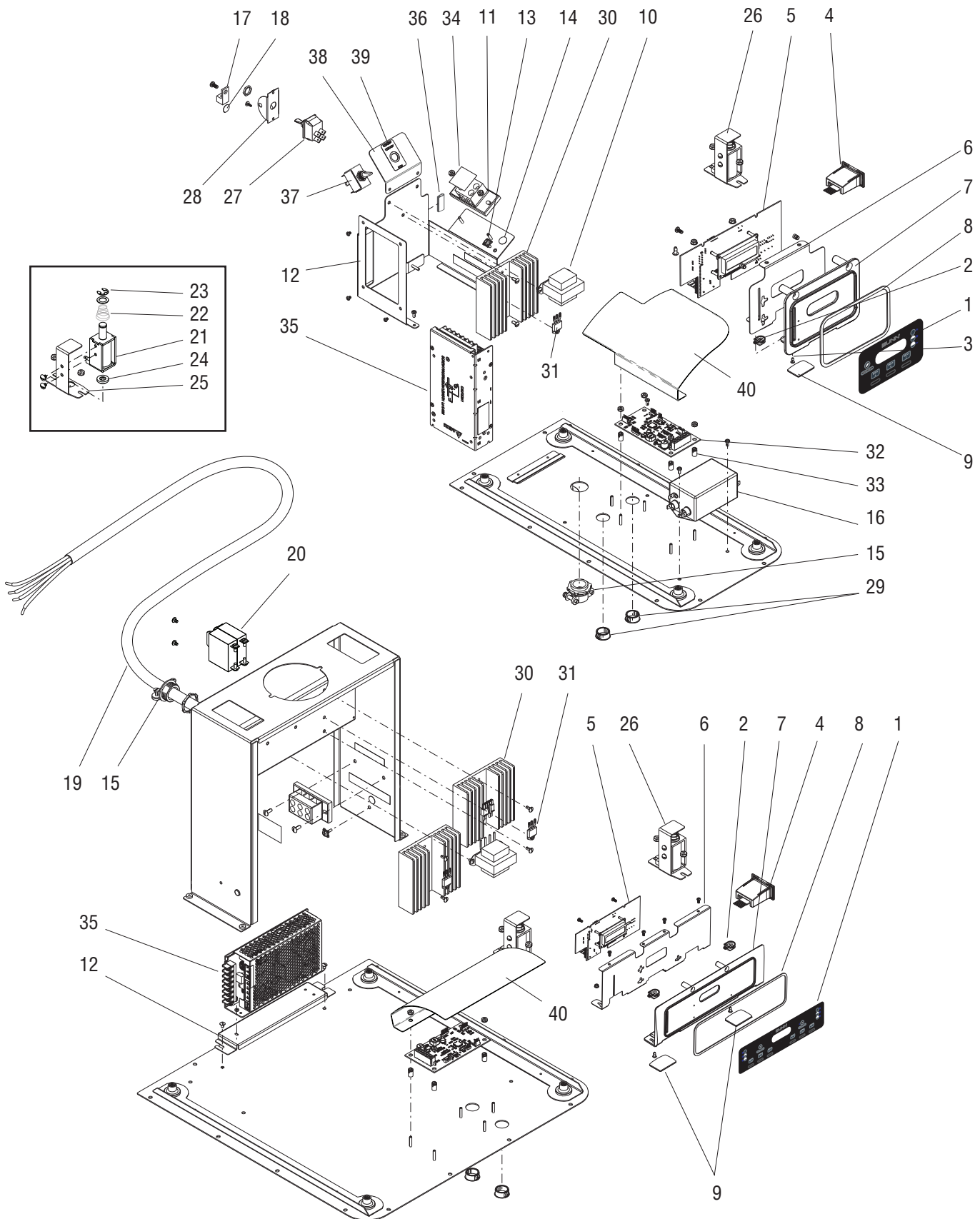
ITEM	PART NO.	QTY.	QTY.	DESCRIPTION
		TWIN	SINGLE	
1	52904.0001	-	1	Membrane Switch
	52941.0003	1	-	Membrane Switch
2	32572.1000	2	1	Sensing Coil
3	35956.0000	2	1	Fastener
4	48455.0001	1	1	USB Receptacle
5	52887.1000	1	1	Control Board 120V
	53833.1000	-	1	Control Board 230V
	02308.0000	2	2	Screw, Pan Head #8-32 x .375"
6	51337.0002	-	1	Bracket
	51337.0003	1	-	Bracket
	00971.0000	2	2	Nut, Keps #10-32
	02308.0000	2	2	Screw, Pan Head #8-32 x .375"
7	52864.0000	-	1	Bezel
	52938.0000	1	-	Bezel
8	53344.0001	-	1	Seal
	53344.0000	1	-	Seal
9	52947.0001	2	1	Seal
10	34307.1001	1	1	Transformer 120V
	34307.1002	-	1	Transformer 230V
	01308.0002	2	2	Screw SST #6-32 x .25"
	01382.0003	-	2	Screw SST #6-32 x.375" (For use with DV bracket)
11	07038.0000	1	1	Terminal Block 120V
	01106.0003	-	1	Terminal Block 230V
	01317.0000	2	2	Screw, Truss Head #8-32 x .50"
12	51505.0002	1	-	Bracket
	53378.0003	-	1	Bracket
	01308.0002	2	-	Screw SST #6-32 x .25"
	02328.0004	-	2	Screw, Truss Head #6-32 x .375"
13	37804.0000	1	1	Screw, Grounding #8-32 x .50"
14	00824.0002	1	1	Decal, Ground
15	01590.0000	1	1	Cord Connector 120V
	05746.0000	-	1	Cord Connector 230V
16	50159.0000	-	1	EMI Filter (230V CE models only)
	02328.0004	-	2	Screw, Truss Head #6-32 x .375"
17	27705.0000	-	1	Terminal Lug (230V CE models only)
	02308.0000	-	1	Screw, Pan Head #8-32 x .375"
18	00824.0001	-	1	Decal, Equipotentiality (CE Only)

Continued on next page



ELECTRICAL AND OPERATING CONTROLS

ICB SH Series



ELECTRICAL AND OPERATING CONTROLS

ITEM	PART NO.	QTY.	QTY.	DESCRIPTION
		TWIN	SINGLE	
19	32657.0001	1	1	Power Cord 120V
	42749.0033	-	1	Power Cord 230V(ICBA SH CE)
20	38894.0001	1	-	Switch, Rocker - Main On/Off
	01308.0003	2	-	Screw, Truss Head #6-32 x .25"
21	35955.0000	2	1	Coil, Solenoid 120V
	35955.0001	-	1	Coil, Solenoid 200V
	33613.0000	4	2	Screw, Truss Head #8-32 x .25"
	01519.0000	4	2	Lockwasher, Split #8
22	39982.0000	1	1	Spring
23	39981.0000	2	1	Retaining Ring
24	35953.0000	2	1	Guide, Pin
25	38280.0001	1	1	Bracket
26	35952.1006	2	1	Solenoid Assembly 120V (Includes 21-25)
	35952.1007	-	1	Solenoid Assembly 230V (Includes 21-25)
	00970.0000	4	2	Nut, Keps #8-32
27	40763.0002	-	1	Switch, Toggle 120V
	55439.0000	-	1	Switch, Toggle 250V 20A DPST (CE Models)
	23696.0000	-	1	Facenut
28	25102.0001	-	1	Bracket, Switch "I/O"
	28098.0000	-	1	Fastener, Snap
29	00669.0006	2	2	Plug (Early Models)
	53456.0000	1	1	Plug (Late Models)
30	20541.0001	2	1	Heatsink
	01382.0007	4	2	Screw, 6-32 x .375
31	12565.0053	2	1	Triac 120V
	12565.0048	-	1	Triac 230V
	02328.0003	2	1	Screw, 6-32 x .312"
	01520.0000	2	1	Lock Washer
	M2522.1000	-	-	Heat Sink Compound, 5oz Tube
32	52913.1000	1	1	Circuit Board, Comm
	53390.1000	1	1	CBA, Comm Wireless PLC
	00973.0001	4	4	Nut
33	29081.0000	4	4	Spacer
34	10367.0001	1	1	Decal, Terminal Block 120V
	10608.0003	-	1	Decal, Terminal Block 230V
35	33363.0012	1	-	24VDC 6.50A 150W Power Supply 120V Single Phase (ICB TWIN SH) (GO TO EARLY & LATER STYLE POWER SUPPLY PAGE)
	33363.1014	-	1	24VDC 4.5A 108W Power Supply 120V Single Phase (ICB SH 120/240V)
	24003.0201	4	4	Screw
	33363.1017*	-	1	Kit, Power Supply, 24VDC 6.3A, ICB SH } See Asterisk Below
	32283.0001	-	2	Screw, SST Sltd Pnh M4 x 6MM Lkg

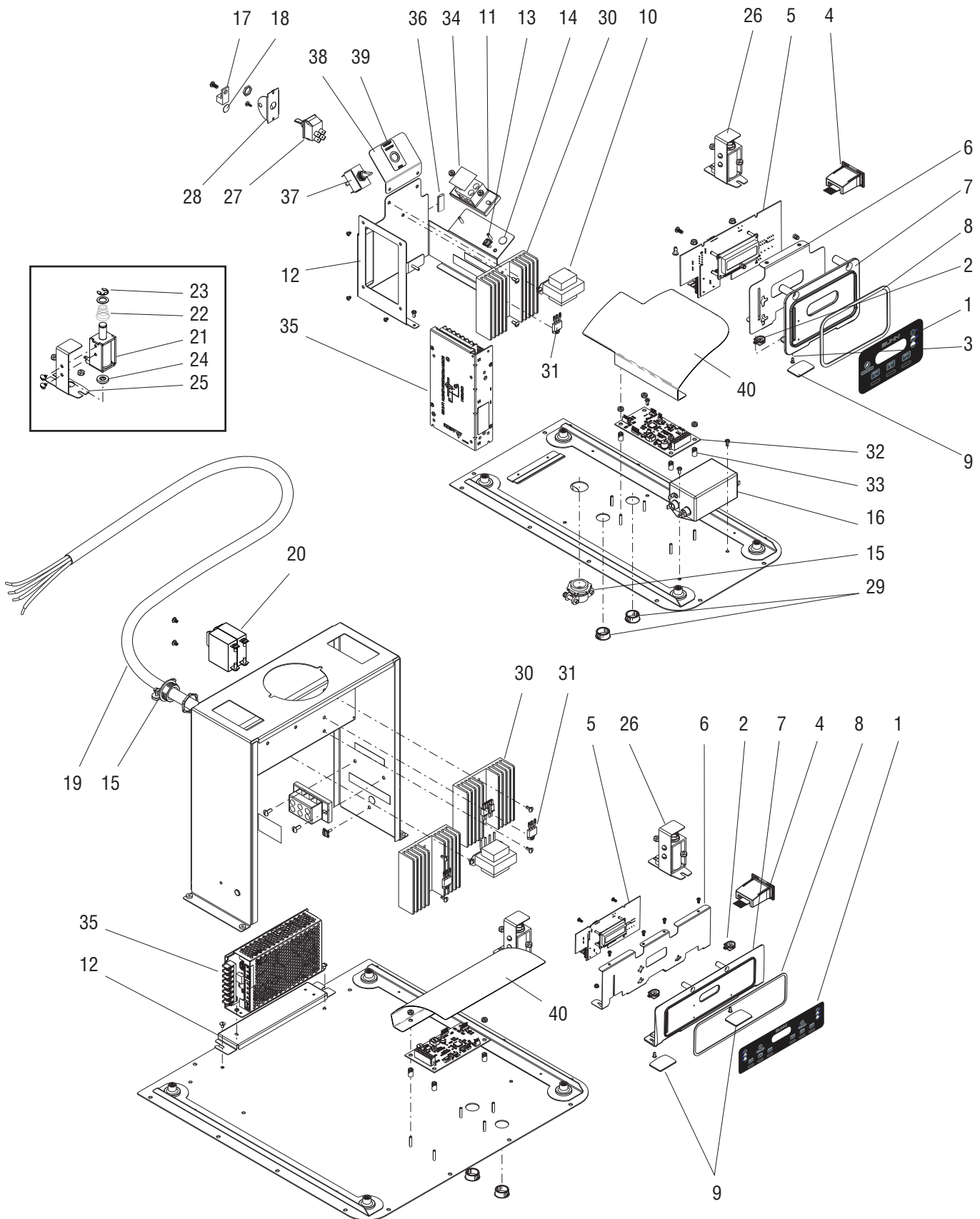
*For models 51100.0500 & 51100.0501

Continued on next page



ELECTRICAL AND OPERATING CONTROLS

ICB SH Series



ELECTRICAL AND OPERATING CONTROLS

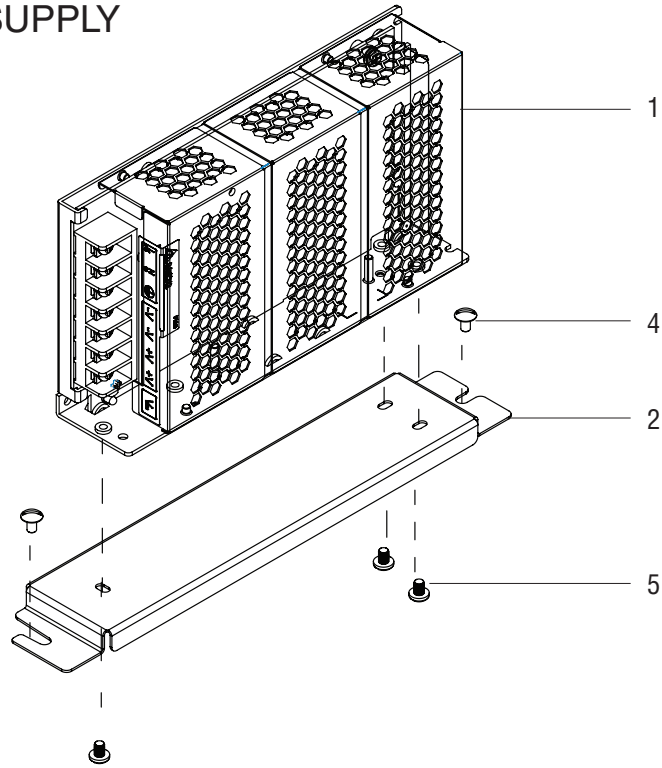
ITEM	PART NO.	QTY.	QTY.	DESCRIPTION
		TWIN	SINGLE	
36		-	1	Gasket, U-channel, 1.0" (Order item 46)
37	23522.0001	-	1	Switch, Toggle (Dual Volt Models)
38	55093.0000	-	1	Bracket, Switch Mounting (Refer to # 10 for mounting screws)
39	34056.0001	-	1	Decal, DV Switch
40	43713.0005	1	-	Shield, CBA (Twin)
	43713.0006	-	1	Shield, CBA (Single)

The following items are not illustrated

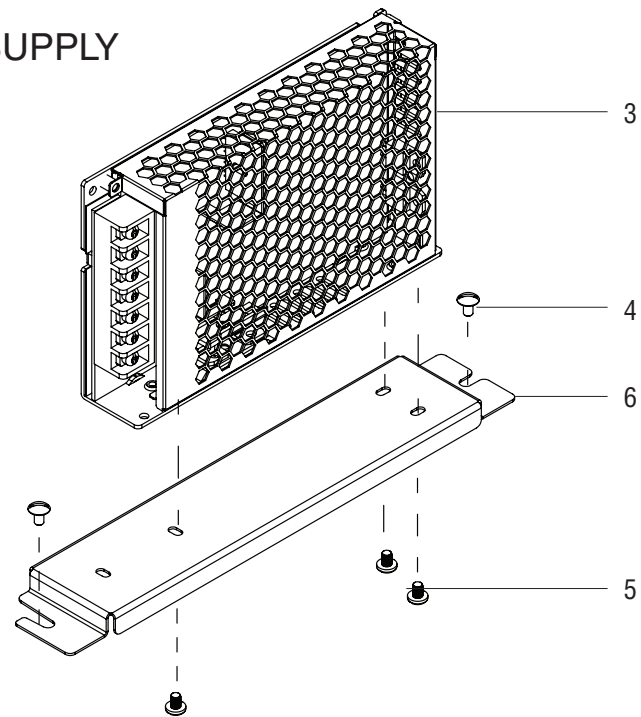
41	36677.0029	-	1	Wiring Harness, Main 120V
	38040.0013	1	-	Wiring Harness, Main
	38040.0014	-	1	Wiring Harness, Main 120/240V
	38040.0023	-	1	Wiring Harness, Main DV
42	37494.0005	-	1	Wiring Harness, Liquid Level 120V
	37494.0003	1	-	Wiring Harness, Liquid Level
	37494.0004	1	-	Wiring Harness, Liquid Level 230V
43	36675.0000	1	1	Wiring Harness, Sensing Coil (Left & Single)
	36675.0001	1	-	Wiring Harness, Sensing Coil (Right Side Only)
44	34707.0013	-	1	Wiring Harness, EMI Filter (230V CE models only)
45	53732.0000	-	1	Lead Assembly, Circuit Breaker
46	47438.0000	1	-	Lead Assembly, Main Switch to Triacs)
47	22918.0002	-	2	Thermal Fuze (230V CE models only)
48	44022.0000	1	1	Wiring Harness, x-former to CBA
49	53283.0001	1	1	Wiring Harness, SH Comm Board 120V
	53283.0002	1	1	Wiring Harness, SH Comm Board 230V
50	02434.1000	-	-	Gasket, U-channel 18.0" (Use as required)



EARLY POWER SUPPLY



LATER POWER SUPPLY



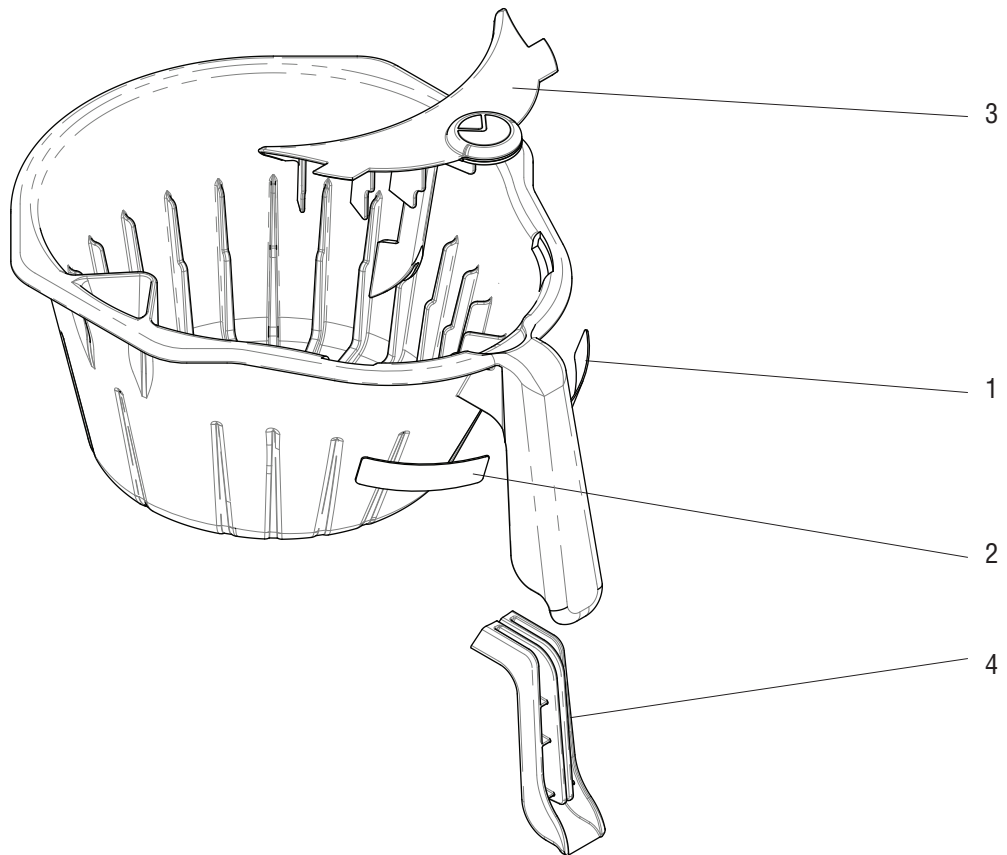
EARLY & LATER POWER SUPPLY

ITEM	PART NO.	QTY.	QTY.	DESCRIPTION
		TWIN	SINGLE	
1	33363.0012	1	-	Power Supply 24VDC 6.50A 150W 120V Single Phase(Twin) (Must Order Item 3, Later Style)
2	51505.0002	1	-	Bracket, Component Mount
3	33363.1054	1	-	Kit, Power Supply 24VDC 6.50A 150W 120V Single Phase(Twin) (Includes items 4, 5, 6)
4	01308.0002	2	-	Screw, Trh Sltd SST 6-32 x .25Lkg
5	24003.0201	3	-	Screw, Pan Head M3 x 4ZP
6	51505.0004	1	-	Bracket, Power Supply Mount



FUNNELS

ICB SH Series



FUNNELS

ITEM	PART NO.	QTY. TWIN	QTY. SINGLE	DESCRIPTION
-	53463.0038	2	1	Funnel Assy, Plastic (Includes Items 1 thru 4)
1	03408.0008	2	1	Decal, Caution-Remove Funnel
2	03409.0006	2	1	Decal, Caution-Hot Liquid
3	53374.0004	2	1	Splash Guard
4	53544.0000	2	1	Insert, Funnel Handle

