



JDF-4S Silver Series®

JDF-4S P/H or P/C with Lit 4 Segment GFX Door

JDF-4S Lit with Tap Handles

JDF-4S P/H or P/C with Non Lit or Lit Graphic Door



ILLUSTRATED PARTS CATALOG

Designs, materials, weights, specifications, and dimensions for equipment or replacement parts are subject to change without notice.

BUNN-O-MATIC CORPORATION

POST OFFICE BOX 3227

SPRINGFIELD, ILLINOIS 62708-3227

PHONE: (217) 529-6601 FAX: (217) 529-6644

www.bunn.com

BUNN-O-MATIC COMMERCIAL PRODUCT WARRANTY

Warranty statements and information can be found on our website. Please visit <https://commercial.bunn.com/support/warranty-lookup> for further details.

TABLE OF CONTENTS

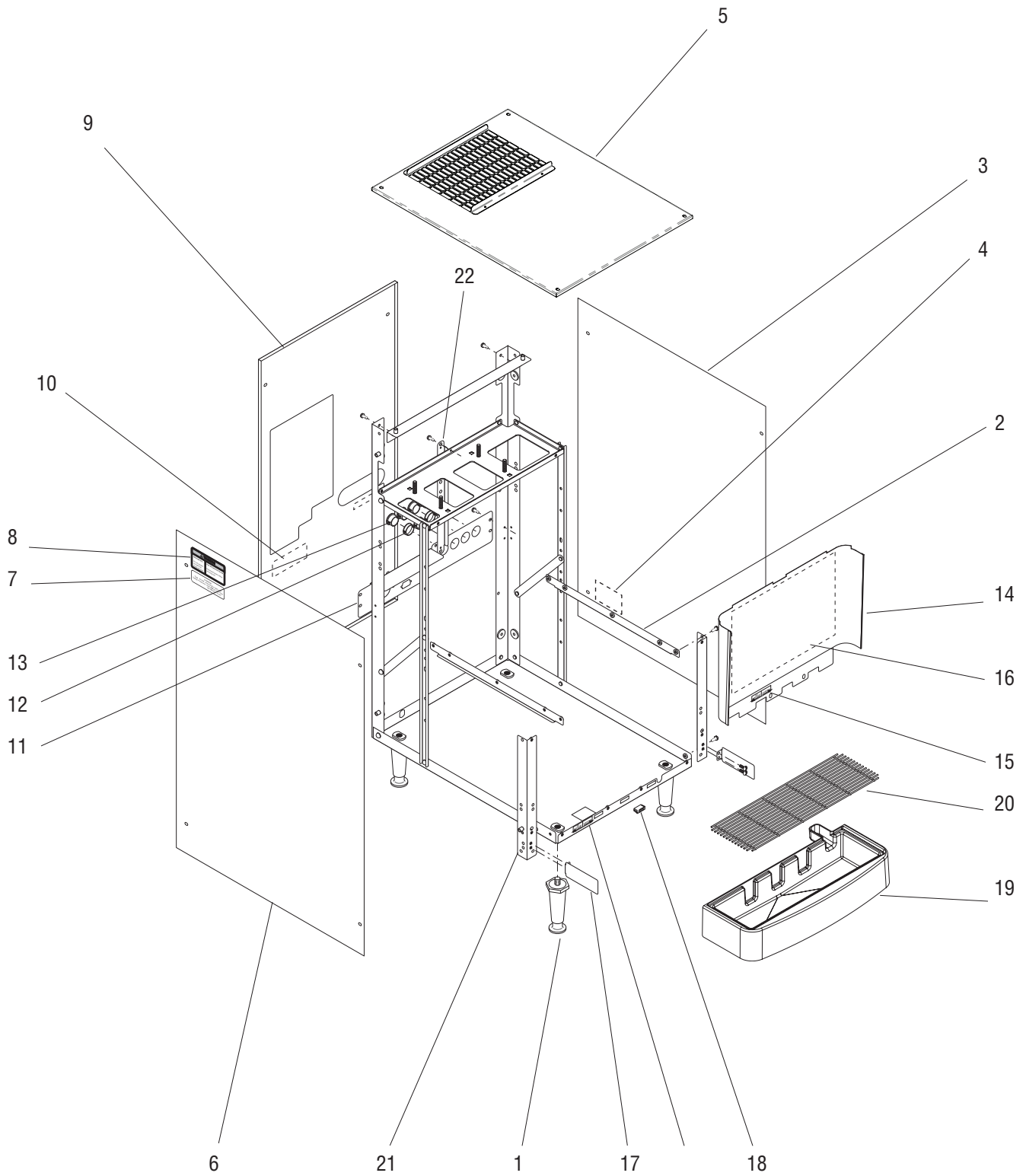
| | |
|------------------------------------------------------------------------------|----------|
| Main Frame & Covers | 4 |
| Upper Cabinet & Panels | 6 |
| Refrigeration Components..... | 8,10,12 |
| Compressor Components..... | 14,16,18 |
| Fan Assembly | 20,22,24 |
| Water Tank Assy | 26 |
| Circulation Pump & Lines..... | 30 |
| Product Coil & Lines | 32 |
| Dispense Platform Assy | 36 |
| Dispense Valve Assy..... | 38 |
| Plain Water Manifold | 40 |
| Door Assy - Unlited | 42 |
| Door Assy - Lited w/Mechanical Switches..... | 44 |
| Door Assy - Lited with Bezel/Membrane Switches | 46 |
| Door Assy - Lited with 4 Lens Display with P/H or P/C Switch Membranes | 48 |
| Door Assy - Unlited P/H Membrane w/Water | 50 |
| Door Assy - Lited with P/H or P/C Membrane Switches | 52 |
| Door Assy - Tap Handles | 54 |
| Electrical Components..... | 56 |
| Refillable Container Assy..... | 60 |
| Touchless Sensor Technology Kit..... | 62 |

To search this document electronically, press “control” + “F” (on P.C.) or “command” + “F” on Mac, then type in description or part number, press “enter”.



MAIN FRAME & COVERS

JDF-4S



P3857

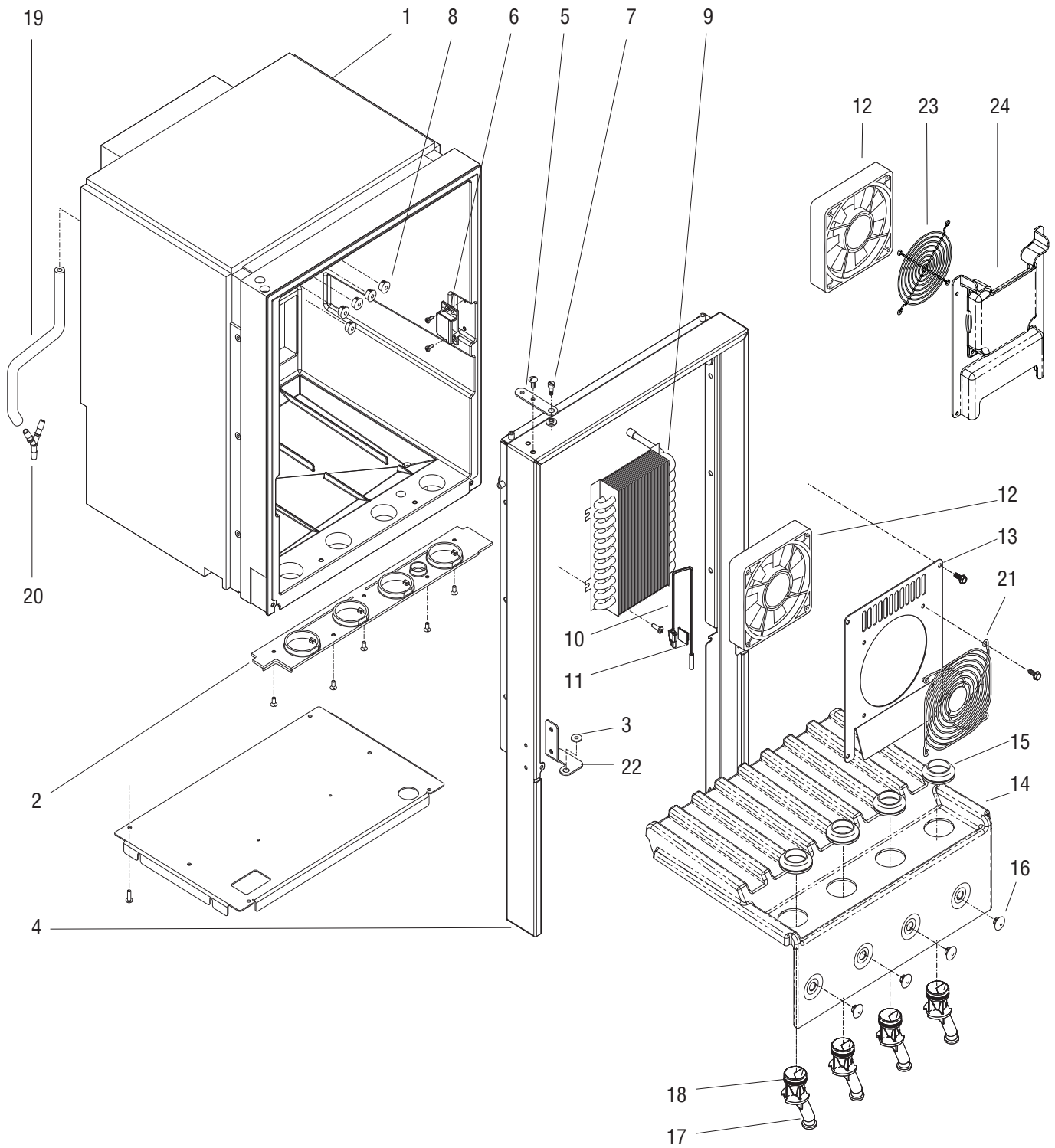
MAIN FRAME & COVERS

| ITEM | PART NO. | QTY. | DESCRIPTION |
|------|------------|------|------------------------------------------------------------------------------------|
| 1 | 26528.0000 | 4 | Leg |
| | 03996.0000 | 4 | Pad, Non-skid |
| 2 | 38654.0000 | 2 | Bracket, Side |
| | 02308.0000 | 4 | Screw, Pan Head #8-32 x .38" |
| 3 | 39491.1002 | 1 | Panel w/Decals, Right (Includes item 5) |
| | 02331.0001 | 4 | Screw, Truss Head, Blk #10-32 x .38" |
| | 01532.0000 | 1 | Lockwasher, Int.-tooth .438" |
| 4 | 00986.7000 | 1 | Decal, Warning - Electrical |
| 5 | 53917.0001 | 1 | Panel, Top |
| | 02331.0001 | 4 | Screw, Truss Head, Blk #10-32 x .38" |
| | 01532.0000 | 1 | Lockwasher, Int.-tooth .438" |
| 6 | 39491.1001 | 1 | Panel w/Decals, Left (Includes items 8 & 9) |
| | 02331.0001 | 4 | Screw, Truss Head, Blk #10-32 x .38" |
| | 01532.0000 | 1 | Lockwasher, Int.-tooth .438" |
| 7 | 33461.0000 | 1 | Decal, Refrigerant Charge |
| 8 | 27442.7000 | 1 | Decal, Warning - Moving Parts |
| 9 | 42479.1001 | 1 | Panel w/Decals, Rear (Includes items 11, 12)(Models with Frame mounted Air Filter) |
| | 41336.1003 | 1 | Panel w/Decals, Rear (Includes items 11, 12)(Models with Cover mounted Air Filter) |
| | 02331.0001 | 4 | Screw, Truss Head, Blk #10-32 x .38" |
| | 01532.0000 | 1 | Lockwasher, Int.-tooth .438" |
| 10 | 00656.0001 | 1 | Decal, Comply To Plumbing Code |
| 11 | 39387.0003 | 1 | Bracket (Models with Front Mounted Refrigeration Switch) |
| | 02335.0001 | 4 | Screw, Hex Crimptite #8 x .38" |
| 12 | 27354.0000 | 4 | Bushing |
| 13 | 00668.0000 | 4 | Plug |
| 14 | 39435.1000 | 1 | Panel, Splash (Includes items 17 & 18) |
| | 02308.0000 | 2 | Screw, Pan Head #8-32 x .38" |
| 15 | 38950.0000 | 2 | Decal, Dispense/No Dispense |
| 16 | 44746.0000 | 1 | Schematic, Electrical |
| 17 | 38617.0001 | 2 | Bracket |
| | 02308.0000 | 4 | Screw, Pan Head #8-32 x .38" |
| 18 | 21436.0000 | 2 | Catch, Magnetic |
| 19 | 38764.1001 | 1 | Drip Tray Assy (Includes Strike Plate and item 22) |
| | 40789.1000 | 1 | Drip Tray Assy, Extended (For use with larger cup sizes) |
| 20 | 39613.0000 | 1 | Grate, Drip Tray |
| 21 | 38652.0000 | 1 | Bracket,Front Left |
| | 38653.0000 | 1 | Bracket, Front Right |
| | 02308.0000 | 4 | Screw, Pan Head #8-32 x .38" |
| 22 | 39469.0000 | 1 | Bracket, Condenser Mounting |
| | 02335.0001 | 2 | Screw, Hex Crimptite #8 x .38" |



UPPER CABINET & PANELS

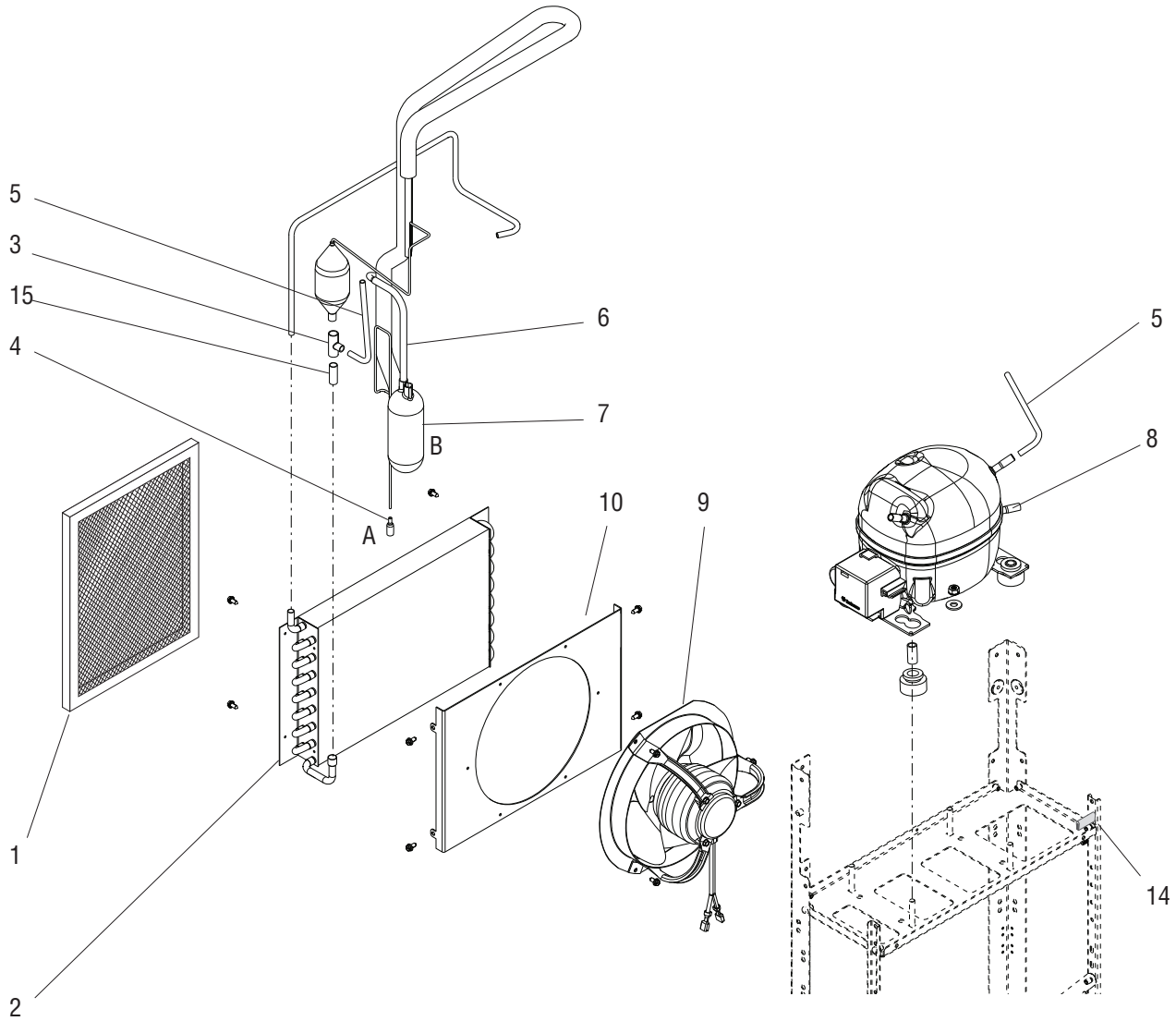
JDF-4S



P3858.1

UPPER CABINET & PANELS

| ITEM | PART NO. | QTY. | DESCRIPTION |
|------|------------|------|-------------------------------------------------------------------|
| 1 | 39389.1000 | 1 | Cabinet (Models without Cold Water Dispense) |
| | 39389.1001 | 1 | Cabinet (Models with Cold Water Dispense) |
| | 24544.0000 | 6 | Screw, Pan Head #8-18 |
| 2 | 39394.0000 | 1 | Plate, Bottom Closure |
| | 01359.0000 | 5 | Screw, Flat Head #8-32 x .38" |
| 3 | 34362.0002 | 2 | Bushing, Hinge |
| 4 | 39396.0001 | 1 | Wrap (Late Models with Bolt On Door Hinge) |
| | 24544.0000 | 6 | Screw, Pan Head #8-1 |
| | 02308.0000 | 6 | Screw, Pan Head #8-32 x .38" |
| 5 | 34785.0001 | 1 | Bracket, Hinge |
| | 02331.0001 | 2 | Screw, Truss Head, Blk #10-32 x .38" |
| | 43951.0000 | 2 | Washer |
| 6 | 34666.0001 | 1 | Catch, Door Latch |
| | 01347.0000 | 2 | Screw, Truss Head #6 x .38" |
| 7 | 34741.0001 | 1 | Screw, Shoulder |
| 8 | 00669.0002 | 5 | Plug |
| 9 | 34419.0002 | 1 | Coil, Water |
| | 24544.0000 | 4 | Screw, Pan Head #8-18 |
| 10 | 43694.0000 | 1 | Sensor Assy, Temperature |
| 11 | 33669.0000 | 1 | Clip, Adhesive Back |
| 12 | 33297.0000 | 1 | Fan Assy. |
| 13 | 39393.0000 | 1 | Cover, Fan (Upgrade Kit Available - Item 28) |
| | 24544.0000 | 4 | Screw, Pan Head #8-18 |
| 14 | 39429.0004 | 1 | Shelf, Product |
| 15 | 32461.0000 | 4 | Gasket, Drip |
| 16 | 27394.0000 | 4 | Plug |
| 17 | 49819.1000 | 4 | Nozzle, Quick Stop White (Includes item 18) |
| | 49819.1001 | 4 | Nozzle, Quick Stop Black (Includes item 18) |
| 18 | 32848.0000 | 8 | O-ring (Also order item 25) |
| 19 | | 1 | Tube, Silicone .25"ID x 9.5" (Order item 26) |
| 20 | 37290.0001 | 1 | "Y" Fitting .25" Barb |
| 21 | 34010.0001 | 1 | Guard, Fan |
| | 38616.0000 | 4 | Screw, Hex Head #10-24 |
| 22 | 41385.0000 | 1 | Bracket, Lower Door Hinge |
| | 02335.0001 | 2 | Screw, Hex Crimptite #8 x .38" |
| | 43951.0000 | 2 | Washer |
| 23 | 34010.0001 | 1 | Guard, Cabinet Fan |
| | 38616.0000 | 4 | Screw, Hex HD 10-24 Trilobe |
| 24 | 53445.0001 | 1 | Cover, Fan Mounting |
| | 24544.0000 | 4 | Screw, Pan Head #8-18 |
| 25 | 44023.1000 | - | Lube, Silicone Haynes 1.0 oz Tube (Use when assembling item 18) |
| 26 | 11707.1000 | - | Tube, Silicone .25"ID x 12.0" (Use as required) |
| 27 | 49819.1004 | - | Nozzle Kit, Quick Stop White (Set of 4) |
| | 49819.1005 | - | Nozzle Kit, Quick Stop Black (Set of 4) |
| 28 | 53560.1000 | - | Kit, Cabinet Air Flow Upgrade JDF-4S (Includes items 14, 24 & 11) |

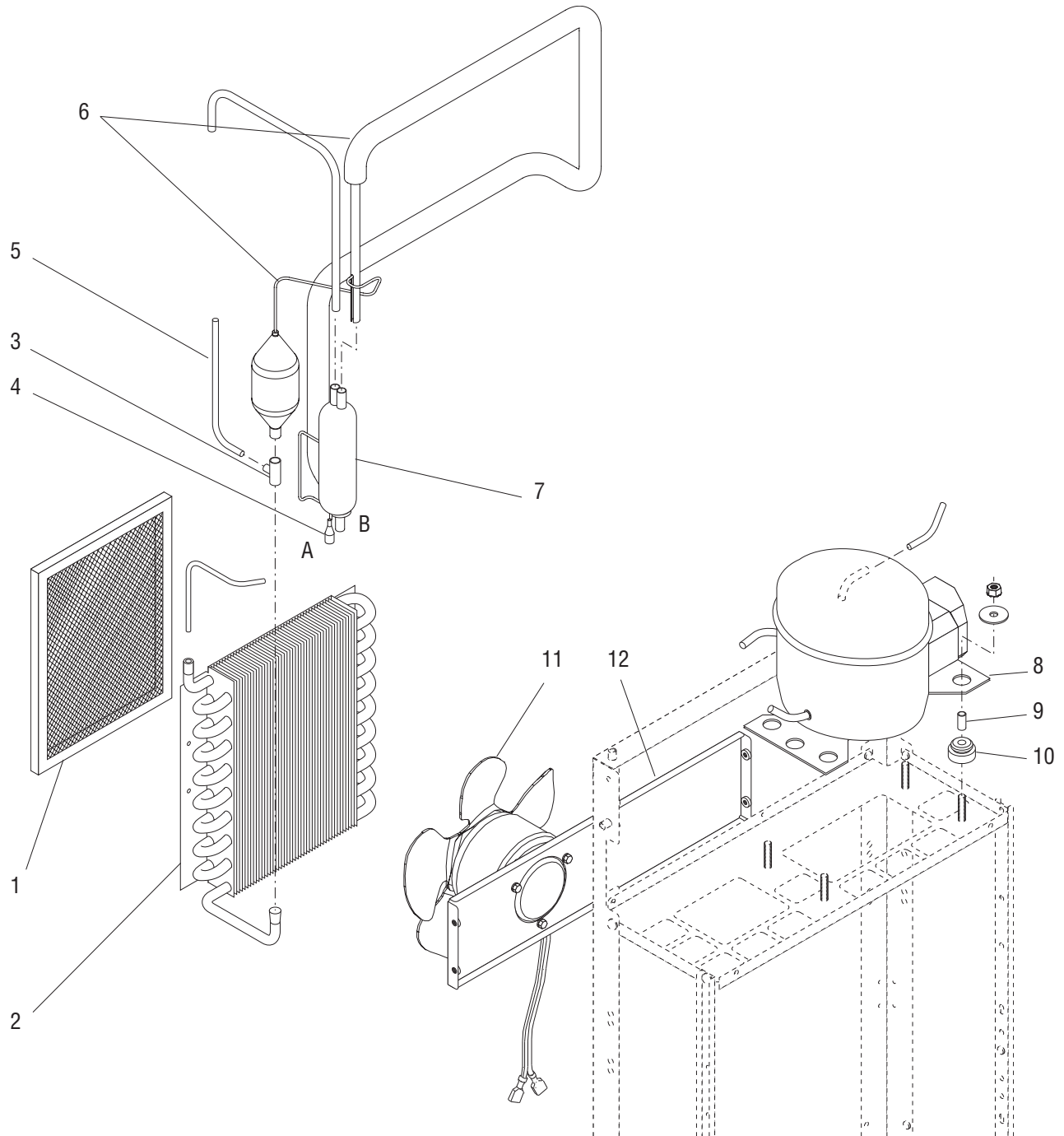


NOTE: Letters appearing within this illustration correspond to matching connections in other illustrations.

P4359.40

REFRIGERATION COMPONENTS (EMBRACO COMPRESSOR)

| ITEM | PART NO. | QTY. | DESCRIPTION |
|------|--------------------------|--------|--------------------------------------------------------------------------------|
| 1 | 33856.1000 | 1 | Air Filter Assy (Includes item 16) |
| 2 | 32176.0000 02335.0001 | 1 4 | Condenser Screw, Crimptite #8 x .38" |
| 3 | 00396.0002 | 1 | Tee (Requires brazing to install) |
| 4 | 32777.0000 | 1 | Adapter (Requires brazing to install) |
| 5 | 38937.0000 | 2 | Tube (Requires brazing to install) |
| 6 | 52030.0000 | 1 | Tube (Requires brazing to install) |
| 7 | 32776.0000 | 1 | Accumulator |
| 8 | ----- 23700.0000 | 1 4 | Compressor (See COMPRESSOR COMPONENTS) Nut .25"-20 |
| 9 | ----- 02335.0001 | 1 3 | Fan Assy (See FAN ASSEMBLY) Screw, Crimptite #8 x .38" |
| 10 | 32174.0008 | 1 | Shroud, Fan CondenserJDF-4S Corr Res |
| 11 | M2546.1000 | - | Tape, Tube Insulating (Use as required) |
| 12 | M2336.1000 | - | Insulation, Tube 25/50 - 0.25"ID x .19" wall x 6.0 Ft (Use as required) |
| 13 | 12467.1002 12468.1002 | - - | Velcro, Loop 3.5" (4 pieces) Velcro, Hook 3.5" (4 pieces) } Not Illustrated |
| 14 | | 1 | Edging 1.0" (Order item 16) |
| 15 | 52002.0000 | 1 | Tube (Requires brazing to install) |
| 16 | 41105.1000 | - | Edging 12.0" (Use as required) |

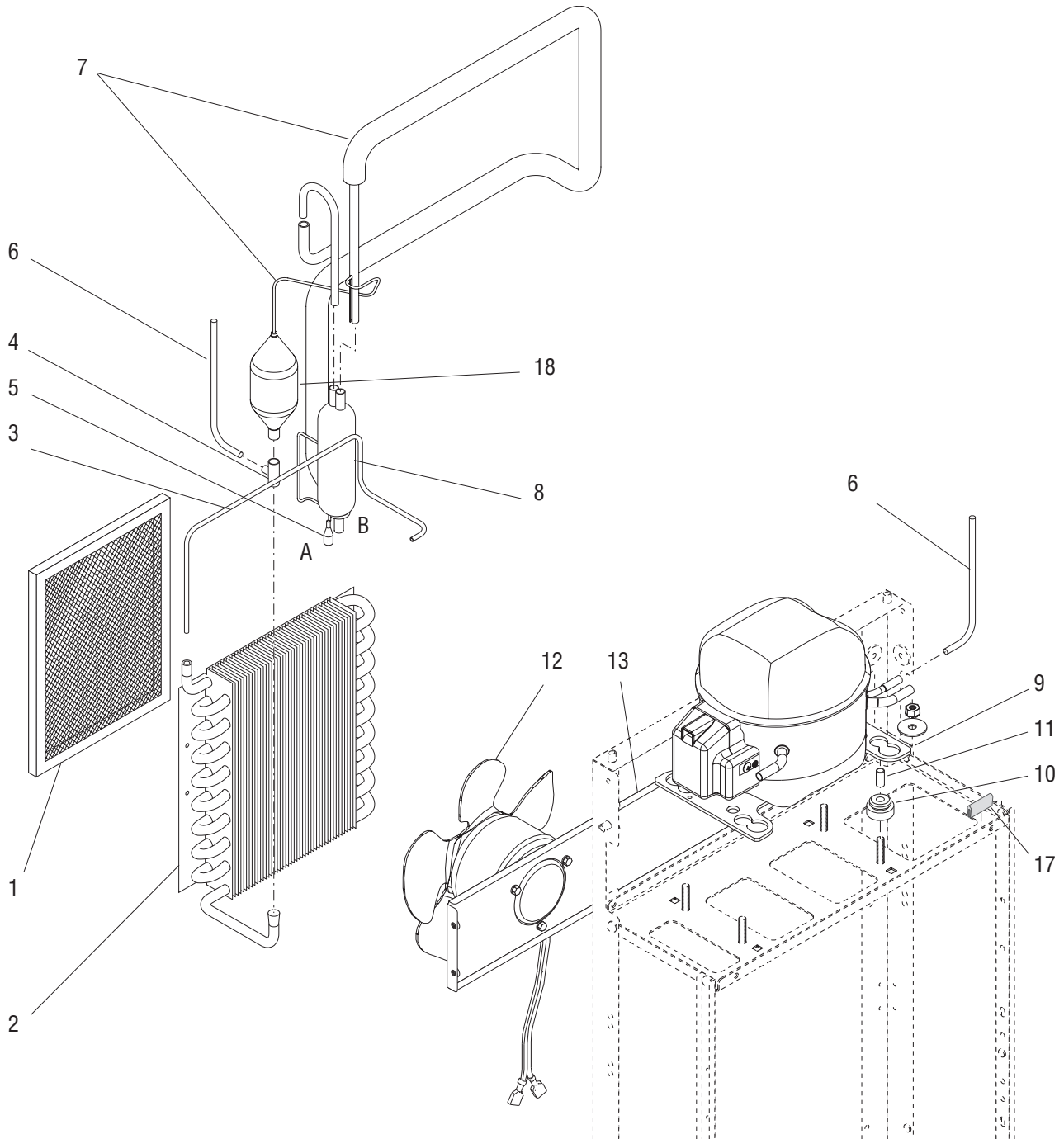


P3859

NOTE: Letters appearing within this illustration correspond to matching connections in other illustrations.

REFRIGERATION COMPONENTS (CUBIGEL COMPRESSOR)

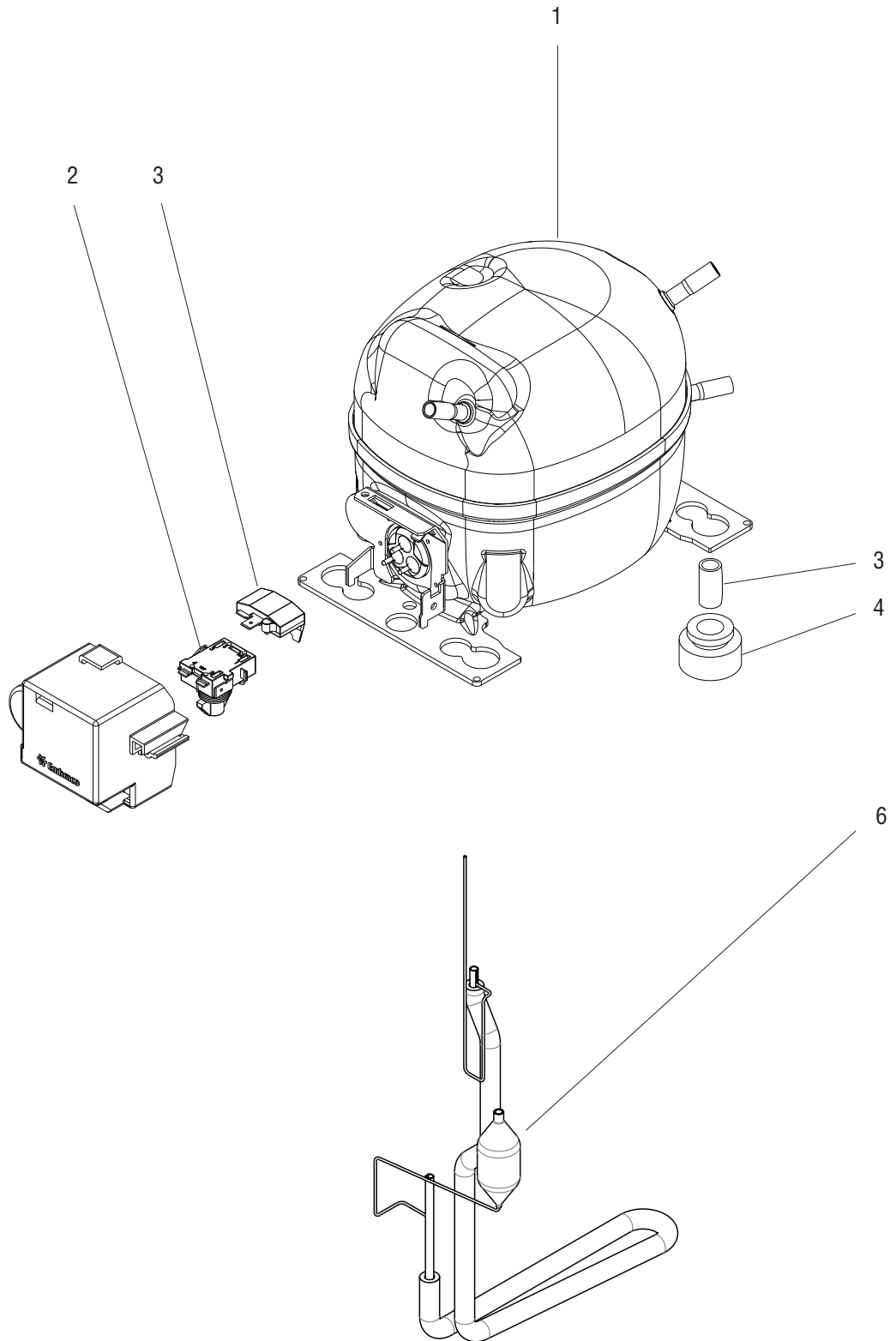
| ITEM | PART NO. | QTY. | DESCRIPTION |
|------|------------|------|-------------------------------------------------------------------------|
| 1 | 35164.1001 | 1 | Air Filter Assy (Includes item 15) |
| 2 | 29951.0004 | 1 | Condenser |
| | 02335.0001 | 4 | Screw, Crimptite #8 x .38" |
| 3 | 00396.0002 | 1 | Tee (Requires brazing to install) |
| 4 | 35178.0000 | 1 | Adapter (Requires brazing to install) |
| 5 | 38937.0000 | 1 | Tube (Requires brazing to install) |
| 6 | 35175.1003 | 1 | Filter Dryer Assy (Requires brazing to install) |
| 7 | 32776.0000 | 1 | Accumulator |
| 8 | ----- | 1 | Compressor (See COMPRESSOR COMPONENTS) |
| | 00901.0000 | 4 | Nut .25"-20 |
| 9 | ----- | 4 | Grommet |
| 10 | ----- | 4 | Sleeve |
| 11 | ----- | 1 | Fan Assy (See FAN ASSEMBLY) |
| | 27243.0000 | 3 | Screw #8-36 x .437" |
| 12 | 34418.0002 | 1 | Bracket |
| | 02308.0000 | 4 | Screw, Pan Head #8-32 x .38" |
| 13 | M2546.1000 | - | Tape, Tube Insulating (Use as required) |
| 14 | M2336.1000 | - | Insulation, Tube 25/50 - 0.25"ID x .19" wall x 6.0 Ft (Use as required) |
| 15 | 12467.1002 | - | Velcro, Loop 3.5" (4 pieces) |
| | 12468.1002 | - | Velcro, Hook 3.5" (4 pieces) |
| | | | } Not Illustrated |



NOTE: Letters appearing within this illustration correspond to matching connections in other illustrations.

REFRIGERATION COMPONENTS (LG COMPRESSOR)

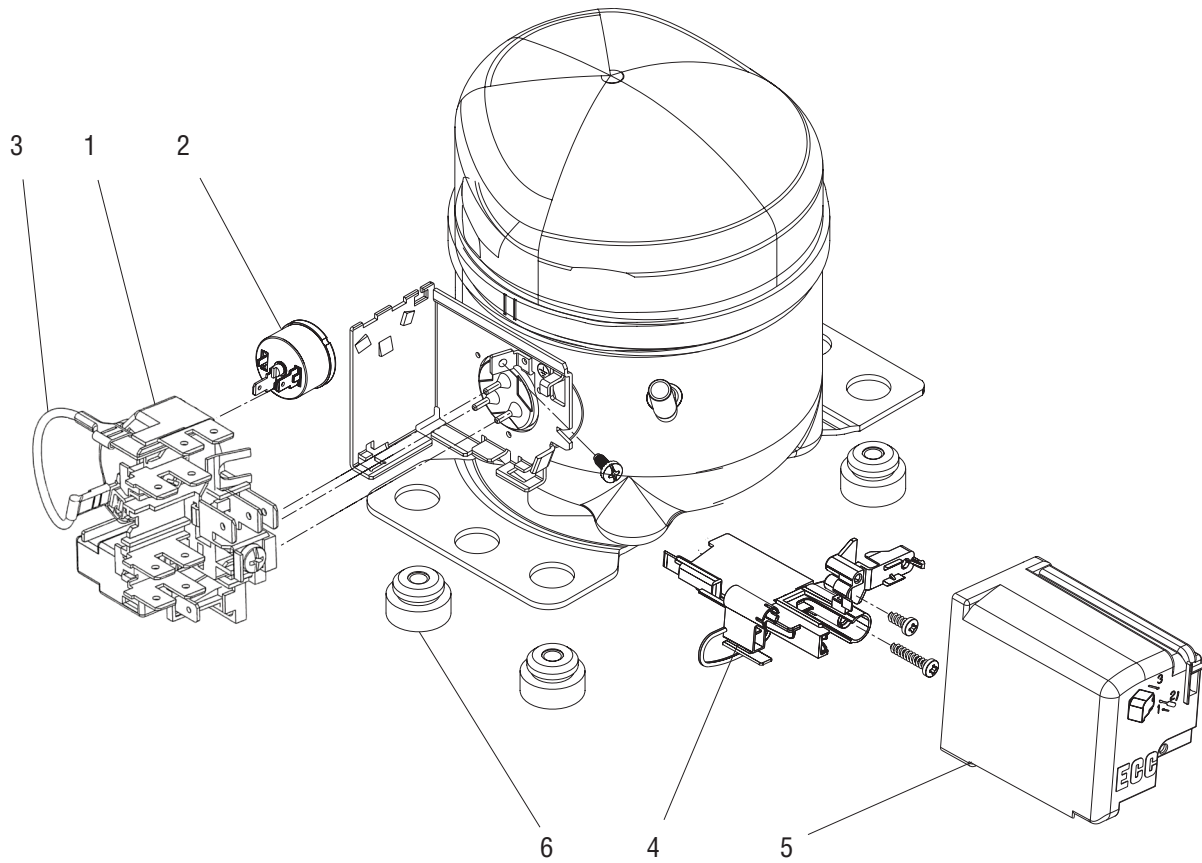
| ITEM | PART NO. | QTY. | DESCRIPTION |
|------|------------|------|-------------------------------------------------------------------------|
| 1 | 35164.1001 | 1 | Air Filter Assy (Includes item 16) |
| 2 | 29951.0004 | 1 | Condenser |
| | 02335.0001 | 4 | Screw, Crimptite #8 x .38" |
| 3 | 46114.0000 | 1 | Tube (Requires brazing to install) |
| 4 | 00396.0002 | 1 | Tee (Requires brazing to install) |
| 5 | 35178.0000 | 1 | Adapter (Requires brazing to install) |
| 6 | 38937.0000 | 2 | Tube (Requires brazing to install) |
| 7 | 35175.1003 | 1 | Filter Dryer Assy (Requires brazing to install)(Includes item 18) |
| 8 | 32776.0000 | 1 | Accumulator |
| 9 | ----- | 1 | Compressor (See COMPRESSOR COMPONENTS) |
| | 00901.0000 | 4 | Nut .25"-20 |
| 10 | ----- | 4 | Grommet |
| 11 | ----- | 4 | Sleeve |
| 12 | ----- | 1 | Fan Assy (See FAN ASSEMBLY) |
| | 27243.0000 | 3 | Screw #8-36 x .437" |
| 13 | 34418.0002 | 1 | Bracket |
| | 02308.0000 | 4 | Screw, Pan Head #8-32 x .38" |
| 14 | M2546.1000 | - | Tape, Tube Insulating (Use as required) |
| 15 | M2336.1000 | - | Insulation, Tube 25/50 - 0.25"ID x .19" wall x 6.0 Ft (Use as required) |
| 16 | 12467.1002 | - | Velcro, Loop 3.5" (4 pieces) |
| | 12468.1002 | - | Velcro, Hook 3.5" (4 pieces) |
| | | | } Not Illustrated |
| 17 | | 1 | Edging 1.0" (Use as required) |
| 18 | 47140.1000 | 1 | Filter Dryer Kit |
| 19 | 41105.1000 | - | Edging 12.0" (Use as required) |



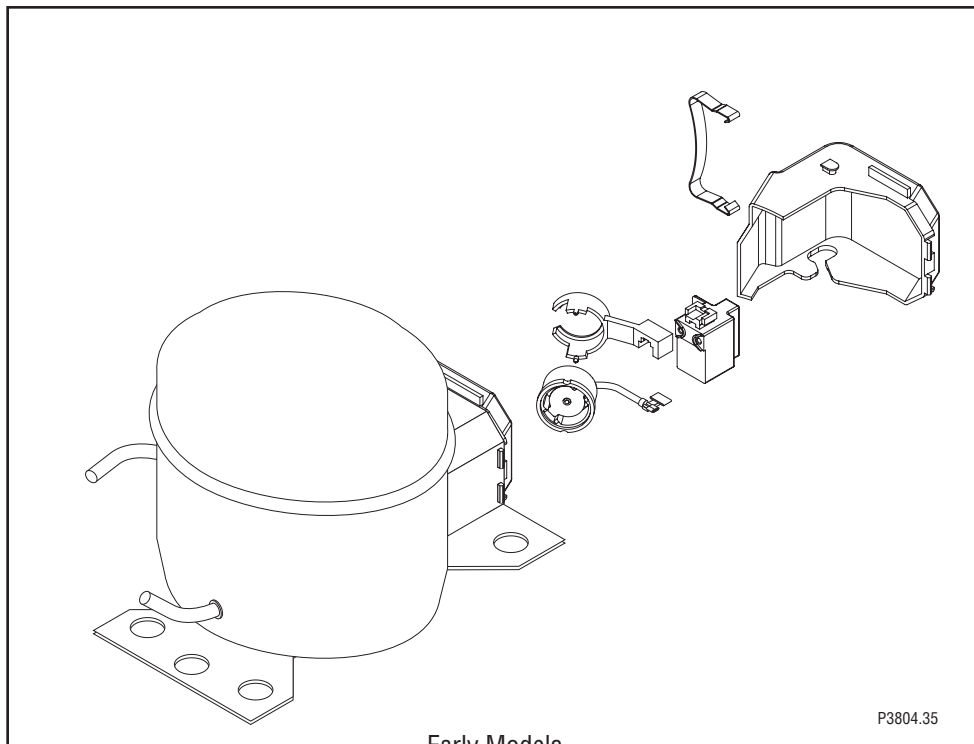
P4361

COMPRESSOR COMPONENTS (EMBRACO)

| ITEM | PART NO. | QTY. | DESCRIPTION |
|------|------------|------|----------------------------------------------------------------|
| 1 | 45950.1000 | 1 | Compressor, EMBRACO 120V 60Hz EMIS70HHR (Includes items 1 - 4) |
| | 45950.1001 | 1 | Compressor, EMBRACO 230V 60Hz EMI70HER (Includes items 1 - 4) |
| 2 | 45953.0000 | 1 | Relay, Compressor 120V 60Hz EMIS70HHR |
| | 45955.0000 | 1 | Relay, Compressor 230V 60 Hz EMI70HER |
| 3 | 45952.0000 | 1 | Overload Protector 120V 60Hz EMIS70HHR |
| | 45954.0000 | 1 | Overload Protector 230V 60Hz EMI70HER |
| 4 | 32797.0000 | 4 | Grommet |
| 5 | 32798.0000 | 4 | Sleeve |
| 6 | 34016.1001 | 1 | Filter Dryer Assy, GL90 JDF-4S |



P4040.30

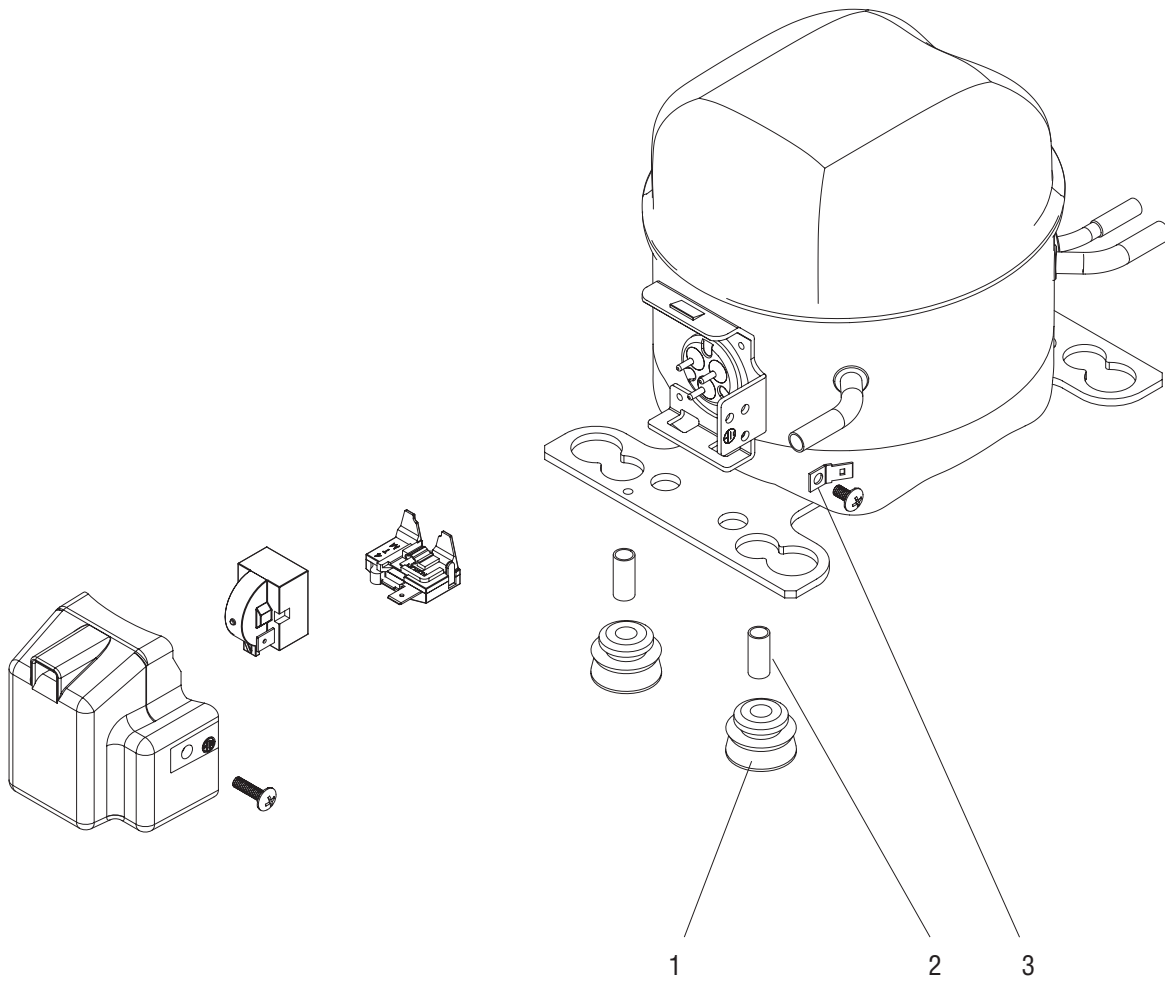


P3804.35

Early Models

COMPRESSOR COMPONENTS (CUBIGEL)

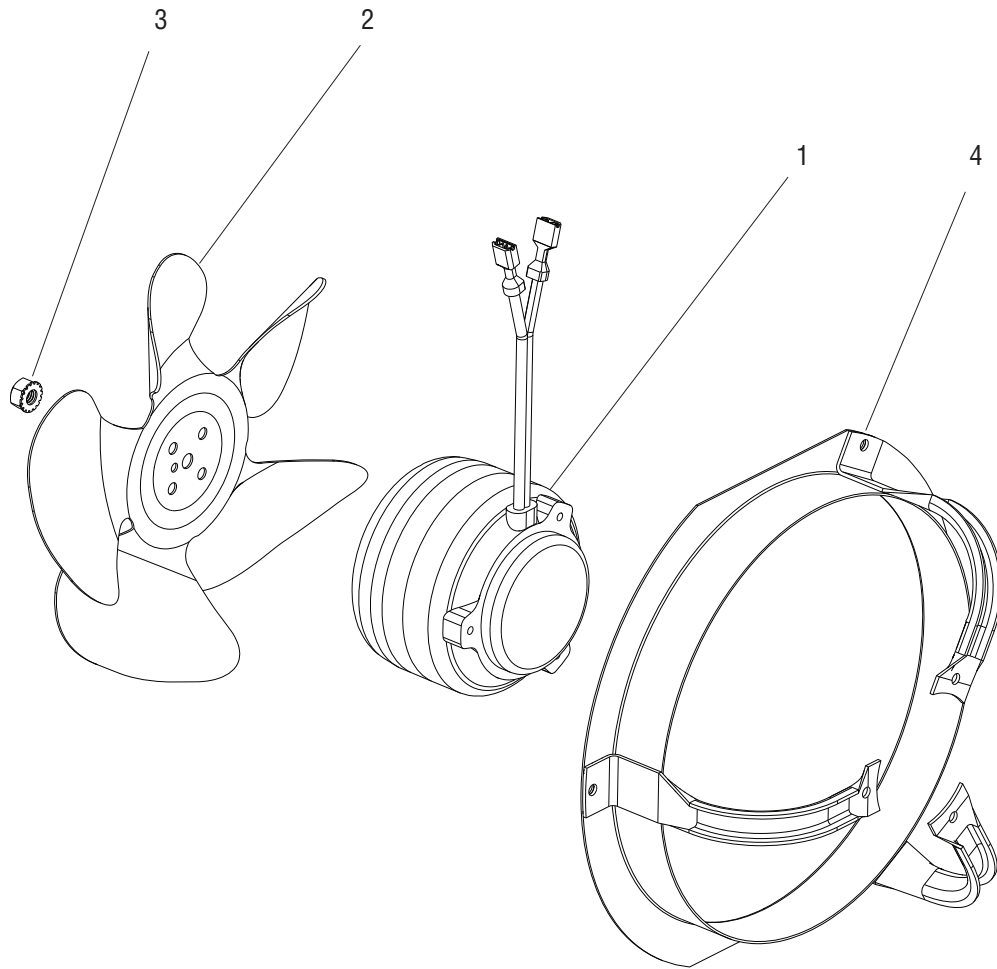
| ITEM | PART NO. | QTY. | DESCRIPTION |
|------|------------|------|------------------------------------------------------------------------------|
| 1 | 39912.0002 | 1 | Relay 120V, Compressor GD40ME BDG K115/CUBIGEL |
| | 39912.0003 | 1 | Relay 230V, Compressor GD40MB BDG K100/ACC (Appliances Components Companies) |
| 2 | 39908.0002 | 1 | Overload Protector 120V, GD40ME/CUBIGEL |
| | 39908.0003 | 1 | Overload Protector 230V, GD40MB/ACC (Appliances Components Companies) |
| 3 | 41398.0000 | 1 | Cable |
| 4 | 41397.0000 | 1 | Strain Relief |
| 5 | 39907.0000 | 1 | Cover |
| 6 | 41396.0000 | 1 | Mounting Kit (Includes 4 Grommets and Sleeves) |



P4298.30

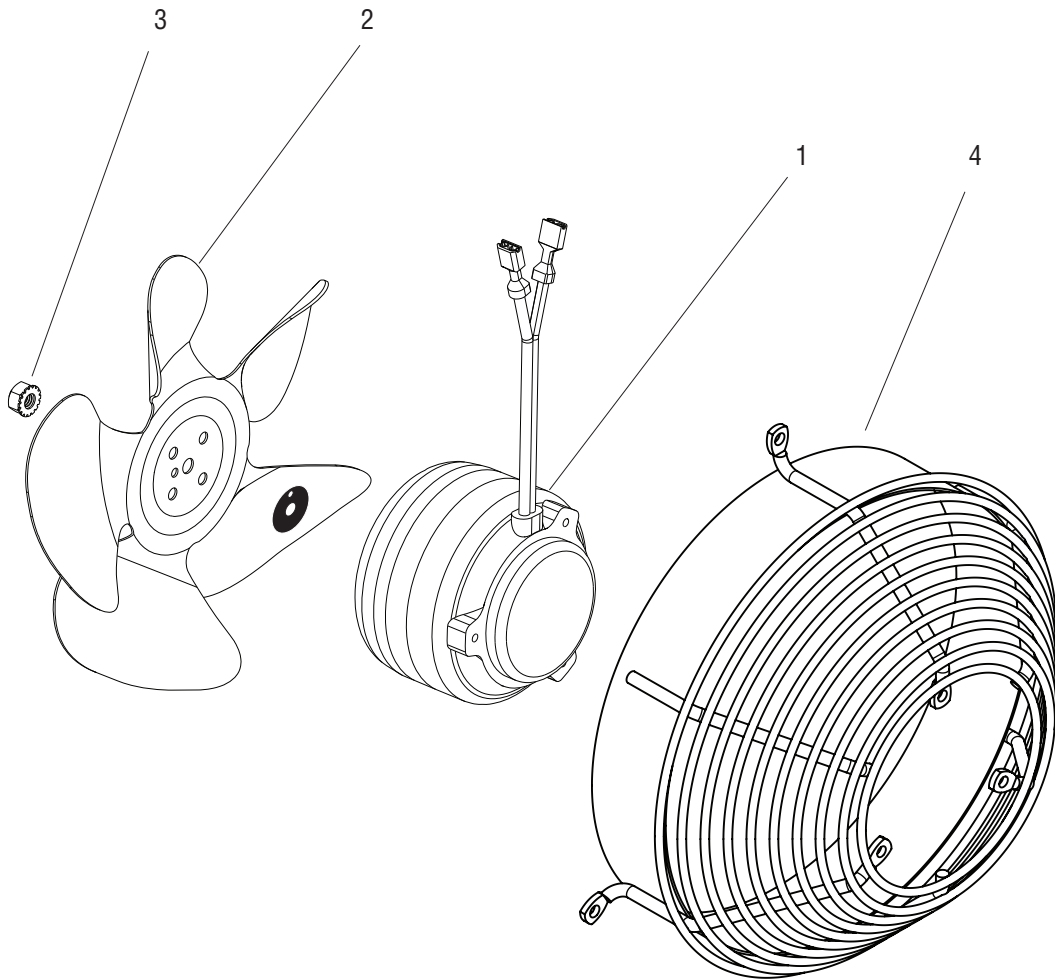
COMPRESSOR COMPONENTS (LG)

| ITEM | PART NO. | QTY. | DESCRIPTION |
|------|------------|------|----------------------------------------|
| - | 45901.1000 | 1 | Compressor 120V (Includes items 1 - 3) |
| | 45901.1001 | 1 | Compressor 230V (Includes items 1 - 3) |
| 1 | 45897.0000 | 4 | Grommet |
| 2 | 45896.0000 | 4 | Sleeve |
| 3 | 36528.0000 | 1 | Terminal Adapter |
| | 39142.0000 | 1 | Screw, Truss Head M4 x 7mm |
| 4 | 50072.1000 | - | Kit, Electrical Components, 120V |
| | 50072.1001 | - | Kit, Electrical Components, 230V |



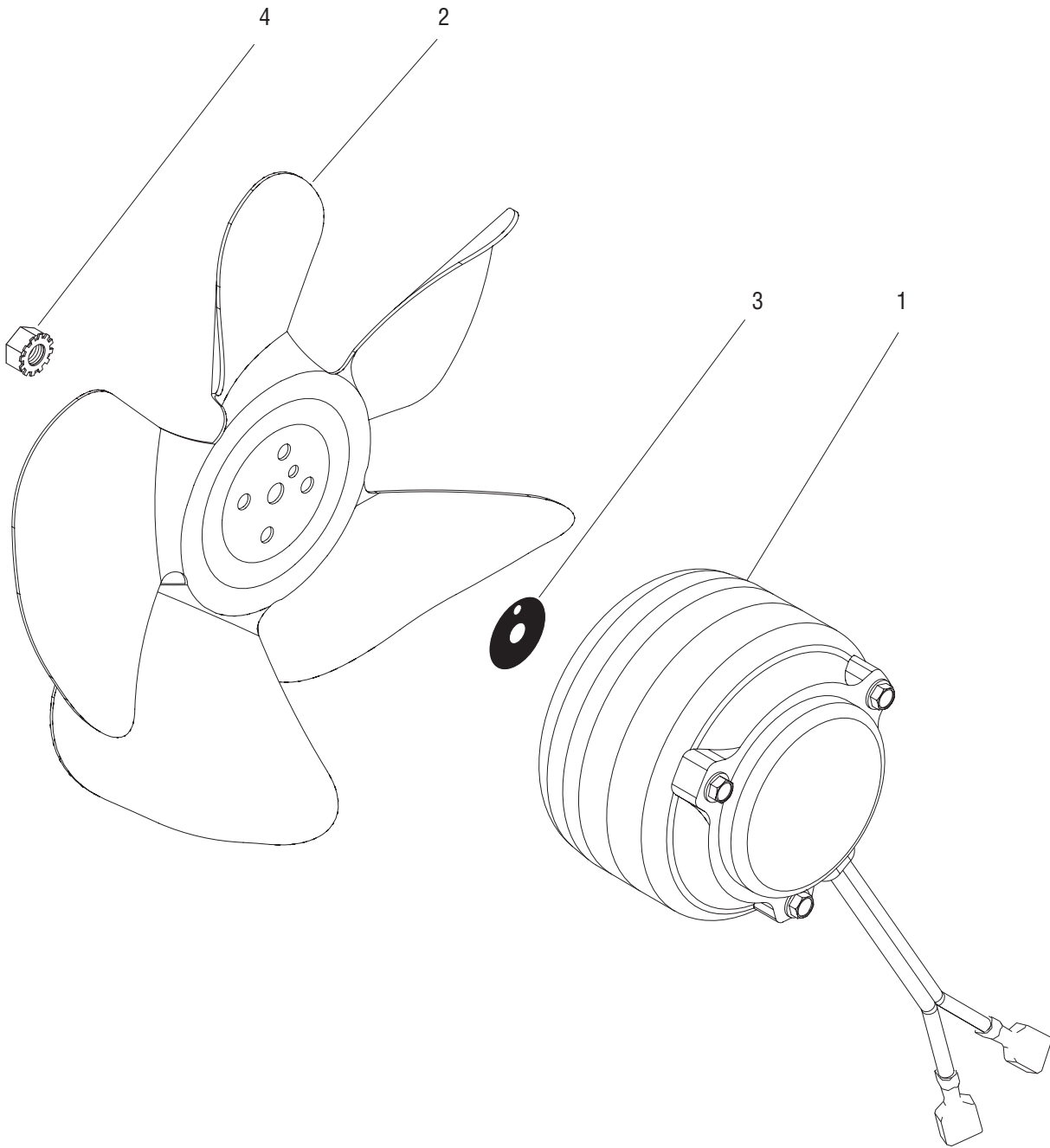
FAN ASSEMBLY (Early Models with EMBRACO Compressor)

| ITEM | PART NO. | QTY. | DESCRIPTION |
|------|----------------------------|------|------------------------------------|
| - | 49292.1000 | 1 | Fan Assy 120V (Includes items 1-4) |
| | 49292.1001 | 1 | Fan Assy 230V (Includes items 1-4) |
| 1 | 33603.0000 | 1 | Motor Assy 120V |
| | 33603.0001 | 1 | Motor Assy 230V |
| 2 | 33602.0000 | 1 | Blade, Fan |
| 3 | 23700.0000 | 1 | Nut .25"-20 |
| 4 | 33601.0000 | 1 | Shroud, Fan |



FAN ASSEMBLY (Late Models with EMBRACO Compressor)

| ITEM | PART NO. | QTY. | DESCRIPTION |
|------|----------------------------|------|----------------------------------------------------|
| - | 49292.1002 | 1 | Fan Assy with Wire Guard 120V (Includes items 1-4) |
| | 49292.1003 | 1 | Fan Assy with Wire Guard 230V (Includes items 1-4) |
| 1 | 33603.0000 | 1 | Motor Assy 120V |
| | 33603.0001 | 1 | Motor Assy 230V |
| 2 | 33602.0000 | 1 | Blade, Fan |
| 3 | 23700.0000 | 1 | Nut .25"-20 |
| 4 | 52454.0004 | 1 | Wire Guard |



FAN ASSEMBLY

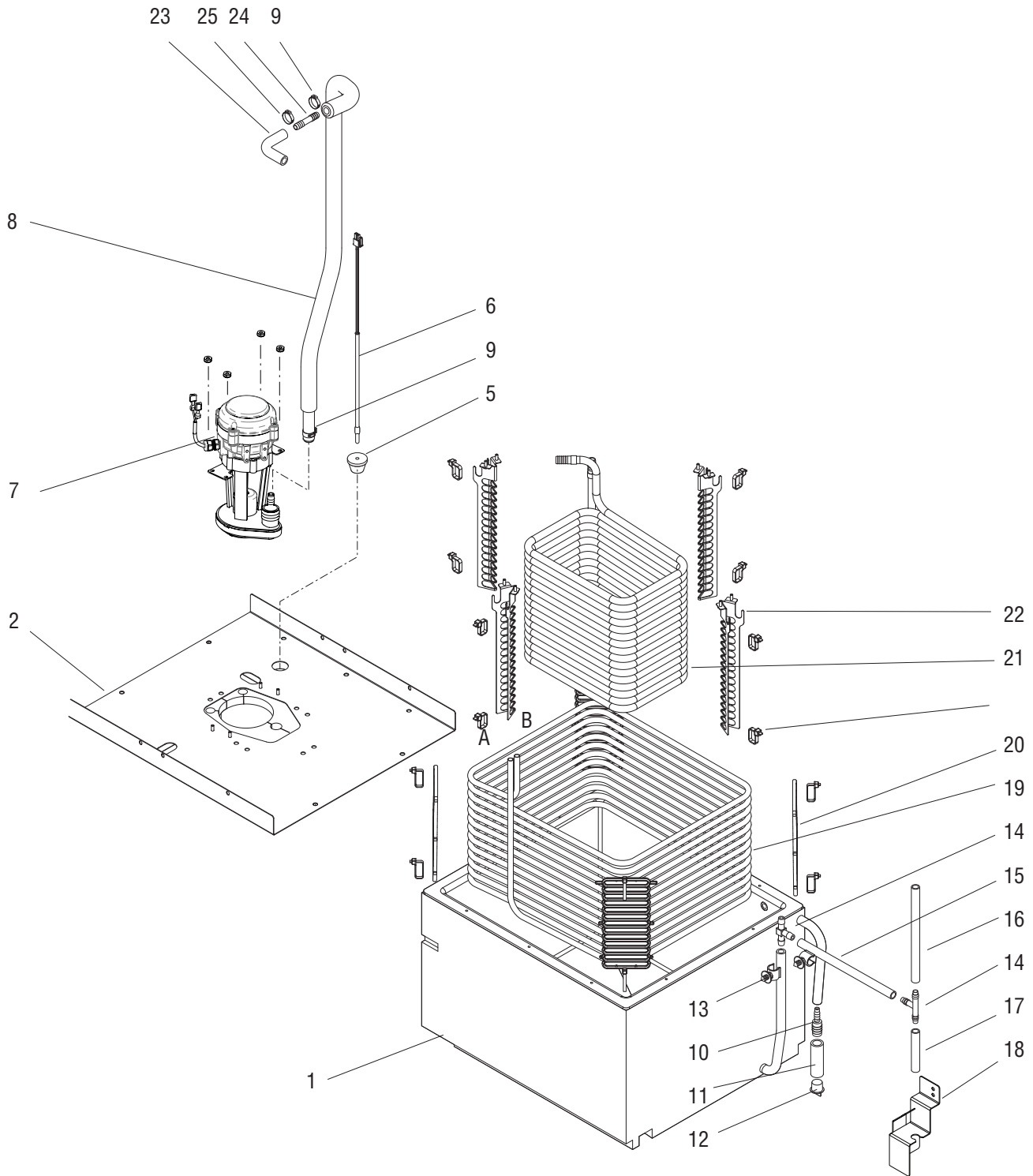
| ITEM | PART NO. | QTY. | DESCRIPTION |
|------|----------------------------|------|------------------------------------|
| - | 32204.1006 | 1 | Fan Assy 120V (Includes items 1-4) |
| | 32204.1007 | 1 | Fan Assy 230V (Includes items 1-4) |
| 1 | 33603.0000 | 1 | Motor Assy 120V |
| | 33603.0001 | 1 | Motor Assy 230V |
| 2 | 39983.0000 | 1 | Blade, Fan |
| 3 | 27258.0000 | 1 | Silencer |
| 4 | 23700.0000 | 1 | Nut .25"-20 |



WATER TANK ASSY

JDF-4S

(Continued)



P3860 B

NOTE: Letters appearing within this illustration correspond to matching connections in other illustrations.

WATER TANK ASSY

| ITEM | PART NO. | QTY. | DESCRIPTION |
|------|------------|------|-----------------------------------------------------------------------------|
| 1 | 39379.0000 | 1 | Tank Assy |
| | 24544.0000 | 6 | Screw, Pan Head #8-18 |
| 2 | 39382.1000 | 1 | Lid Assy |
| | 24544.0000 | 10 | Screw, Pan Head #8-18 |
| | 00973.0001 | 8 | Nut, Keps #6-32 |
| 3 | ----- | - | |
| 4 | ----- | - | |
| 5 | 33801.0003 | 1 | Grommet |
| 6 | 28891.1000 | 1 | Probe, Temperature |
| 7 | 53761.1000 | 1 | Kit, Recirc Pump 120/230VAC - Seald Brng (Includes Item 3 & 4) |
| | 00973.0001 | 4 | Nut, Keps #6-32 |
| 8 | | 1 | Tube, Silicone .313 ID x 22.00 LG (Models with EMBRACO Comp: Order item 27) |
| | | - | Insulation, Tube 1/2IDX3/16W (Order item 26) |
| 9 | 21275.0013 | 2 | Clamp, SST-.539/.638 DIA#16.2 Light Blue |
| 10 | 38924.0001 | 1 | Reducer .50" to .38" Barb |
| 11 | | 1 | Hose, Flex .38" ID x .625" OD x 3.0" (Order item 29) |
| 12 | 38925.0000 | 1 | Plug |
| 13 | 27410.0000 | 3 | Clip, Tube Mounting |
| 14 | 35077.0000 | 2 | Tee .375" Barb |
| 15 | | 1 | Tube, Silicone .312" ID x 6.0" (Order item 28) |
| 16 | | 1 | Tube, Silicone .312" ID x 5.5" (Order item 28) |
| 17 | | 1 | Tube, Silicone .312" ID x 3.25" (Order item 28) |
| 18 | 38662.0001 | 1 | Bracket |
| | 02308.0000 | 2 | Screw, Pan Head #8-32 x .38" |
| 19 | 59161.0000 | 1 | Coil Assy, Evaporator w/Spacer JDF-4S |
| | 59158.0000 | 2 | Cap, VC - 375-8 Blk 47581.0001 |
| 20 | 32583.0000 | 4 | Spacer |
| 21 | 39386.0002 | 1 | Product Coil |
| 22 | 39467.0000 | 4 | Spacer |
| 23 | 45928.0000 | 1 | Elbow |
| 24 | 51902.0000 | 1 | Connector, Union .38 X .38 KYNAR |
| 25 | 12422.0001 | 1 | Clamp, Hose-Snap Type .59/.66ID |

(Continued)

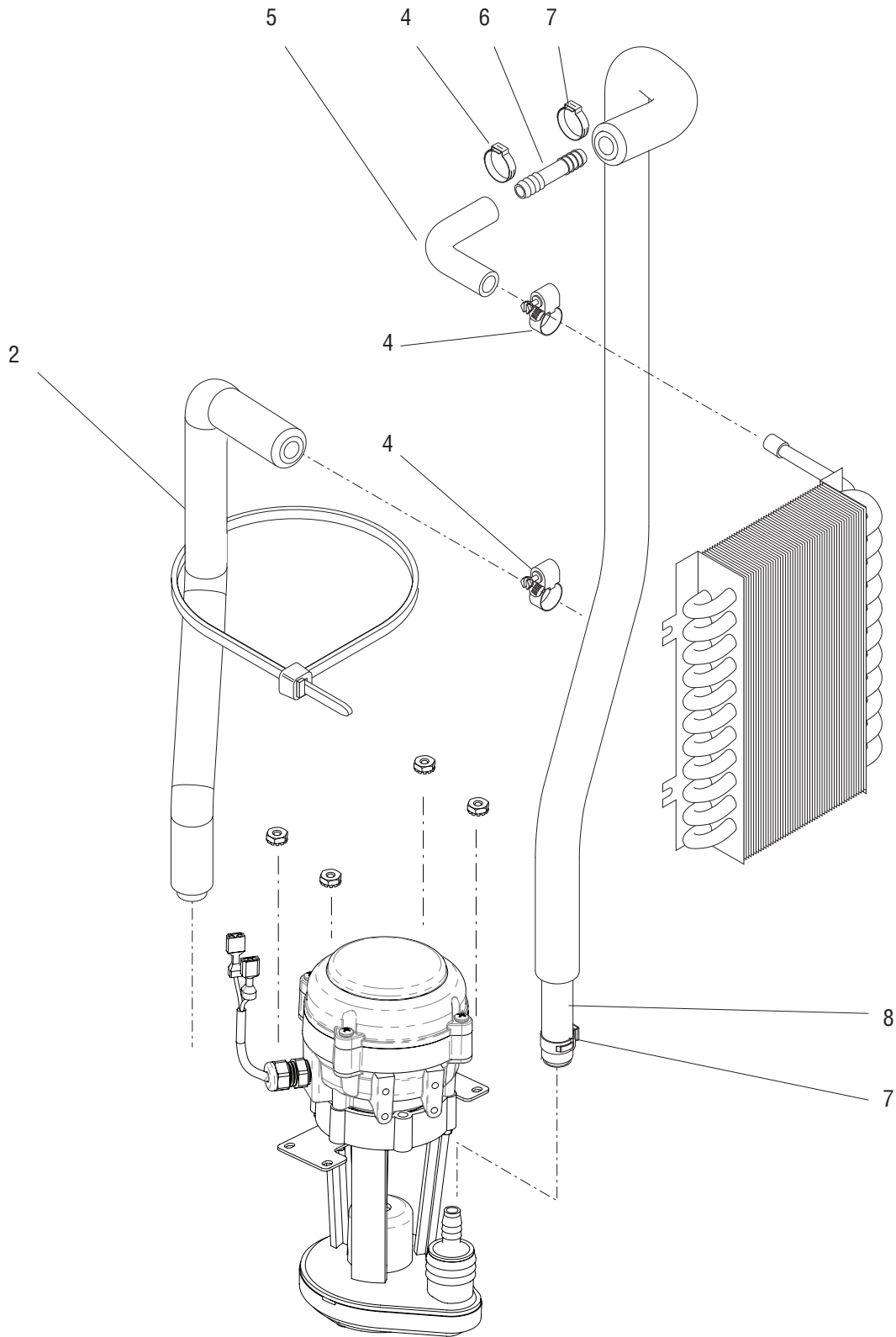
WATER TANK ASSY

| ITEM | PART NO. | QTY. | DESCRIPTION |
|------------------------------------------------|------------|------|----------------------------------------------------------------------|
| The following items are not illustrated | | | |
| 26 | M2337.1000 | - | Insulation, Tube 25/50 .50" ID x 72.0" (Cut to required length) |
| 27 | 28526.1000 | - | Tube, Silicone .313 ID x 12.00 LG (Cut to required length) |
| | 28526.1001 | - | Tube, Silicone .313 ID x 36.00 LG (Cut to required length) |
| | 28526.1002 | - | Tube, Silicone .313 ID x 60.00 LG (Cut to required length) |
| | 28526.1003 | - | Tube, Silicone .313 ID x 120.00 LG (Cut to required length) |
| 28 | 34315.1000 | - | Hose, Clear PVC .312" ID x .50" OD x 12.0" (Cut to required length) |
| | 34315.1001 | - | Hose, Clear PVC .312" ID x .50" OD x 36.0" (Cut to required length) |
| | 34315.1002 | - | Hose, Clear PVC .312" ID x .50" OD x 120.0" (Cut to required length) |
| 29 | 32591.1001 | - | Hose, Silicone .50" ID x .625" OD x 12.0" (Cut to required length) |
| | 32591.1002 | - | Hose, Silicone .50" ID x .625" OD x 36.0" (Cut to required length) |



CIRCULATION PUMP & LINES

JDF-4S



P3861 B

CIRCULATION PUMP & LINES

| ITEM | PART NO. | QTY. | DESCRIPTION |
|------|------------|------|---------------------------------------------------|
| 1 | ----- | 1 | Coil, Upper Cabinet (See UPPER CABINET & PANELS) |
| 2 | ----- | 1 | Tube, Silicone .313 ID x 20.00 LG (Order item 27) |
| | | - | Insulation, Tube 1/2IDX3/16W (Order item 26) |
| 3 | ----- | 1 | Pump, Circulation (See WATER TANK ASSEMBLY) |
| 4 | 29421.0000 | 2 | Clamp, Hose Worm Drive .625/.75" (Early Models) |
| | 12422.0001 | 4 | Clamp (Late Models) |
| 5 | 45928.0000 | 1 | Elbow |
| 6 | 51902.0000 | 1 | Connector, Union .38 X .38 KYNAR |
| 7 | 21275.0013 | 2 | Clamp, SST-.539/.638 DIA#16.2 Light Blue |
| 8 | ----- | 1 | Tube, Silicone 313 ID x 22.00 LG (Order item 27) |
| | | - | Insulation, Tube 1/2IDX3/16W (Order item 26) |

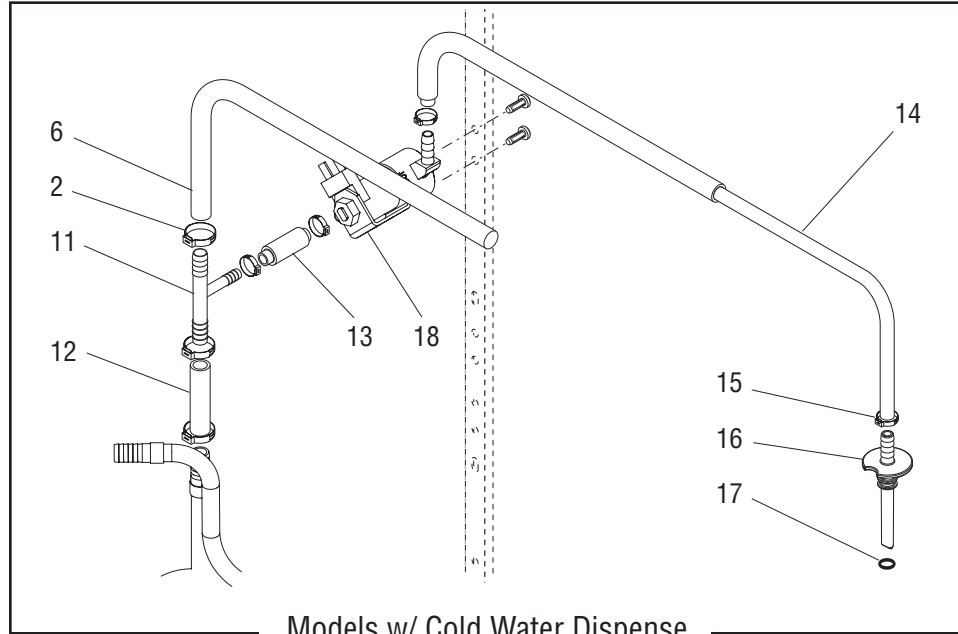
The following items are not illustrated

| | | | |
|----|------------|---|-----------------------------------------------------------------|
| 26 | M2337.1000 | - | Insulation, Tube 25/50 .50" ID x 72.0" (Cut to required length) |
| 27 | 28526.1000 | - | Tube, Silicone .313 ID x 12.00 LG (Cut to required length) |
| | 28526.1001 | - | Tube, Silicone .313 ID x 36.00 LG (Cut to required length) |
| | 28526.1002 | - | Tube, Silicone .313 ID x 60.00 LG (Cut to required length) |
| | 28526.1003 | - | Tube, Silicone .313 ID x 120.00 LG (Cut to required length) |

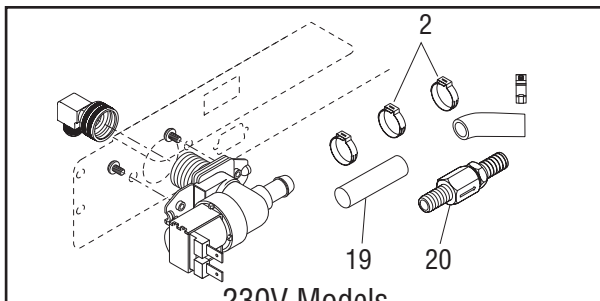
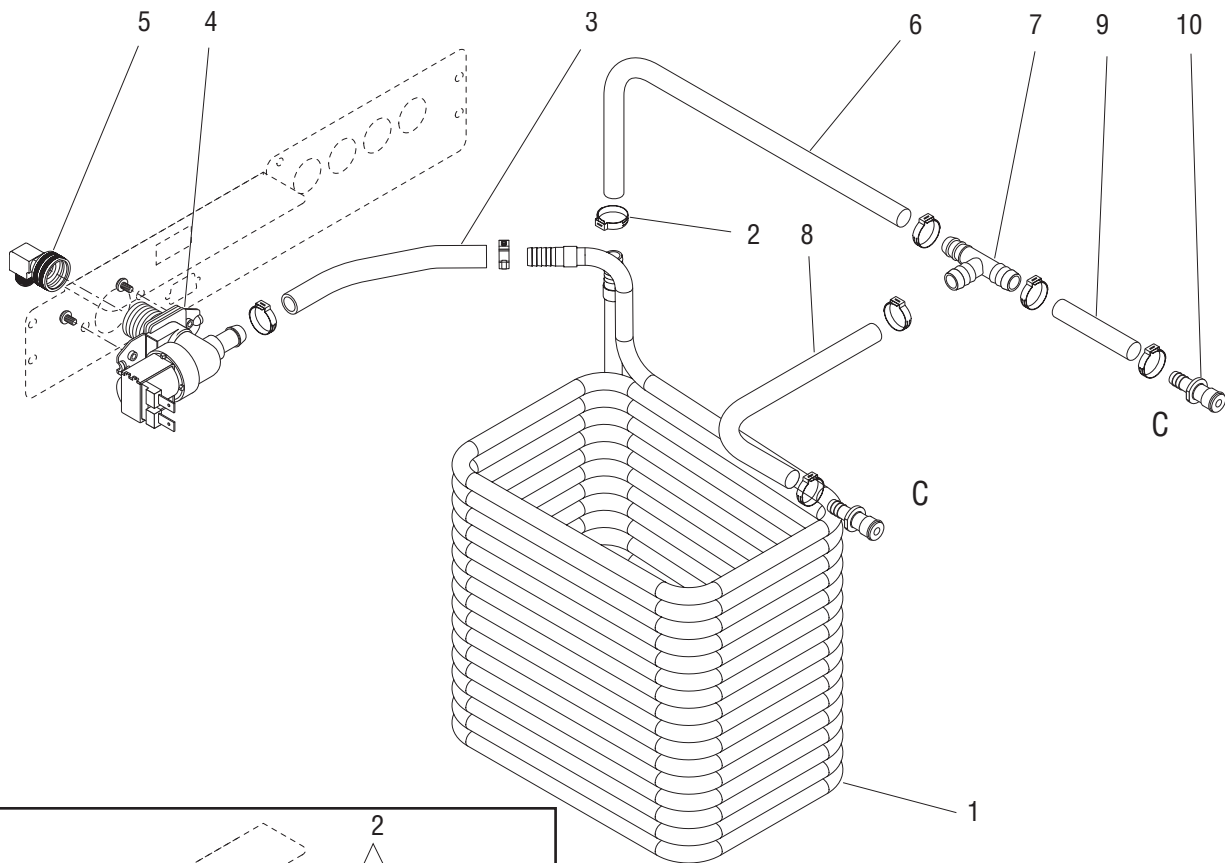


PRODUCT COIL & LINES

JDF-4S



Models w/ Cold Water Dispense



230V Models

NOTE: Letters appearing within this illustration correspond to matching connections in other illustrations.

P3862

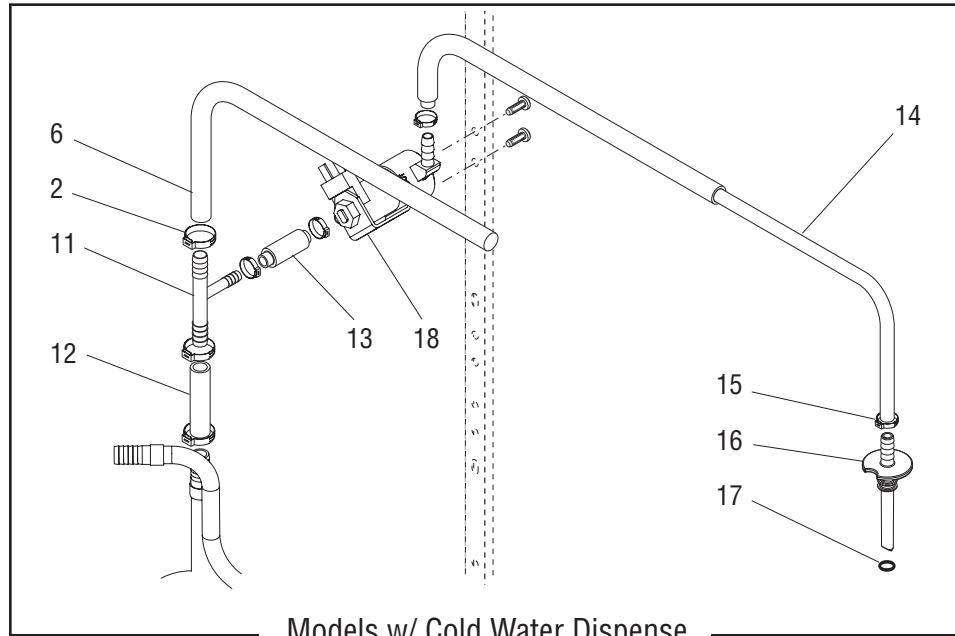
PRODUCT COIL & LINES

| ITEM | PART NO. | QTY. | DESCRIPTION |
|------|----------------------------------------------------------------------------------|----------------------------|--------------------------------------------------------------------------------------------------------------------------------------------------------------------------------------------------------------------------|
| 1 | ----- | 1 | Product Coil (See WATER TANK ASSEMBLY) |
| 2 | 21275.0003 | 8 | Clamp .57" - .70" (Two additional used on 230V models) |
| 3 | 21275.0013 | 1 2 | Hose, Flex .38" ID x 6.5" (Order item 27) Clamp, SST-.539/.638 DIA#16.2 Light Blue |
| 4 | 36233.0005 36233.0006 32283.0000 | 1 1 2 | Valve, Water Inlet 120V } See item 26 Valve, Water Inlet 230V } Screw, Pan Head M4 x 6mm |
| 5 | 37297.1001 41640.0000 | 1 1 | Fitting, Elbow .38" FI x .75" Fine Hose (Includes Gasket) Gasket |
| 6 | | 1 1 | Hose, Flex .375" ID x 12.0" Braid (Order item 21)(Models w/o Cold Water Dispense) Hose, Flex .375" ID x 9.25" Braid (Order item 21)(Models w/ Cold Water Dispense) |
| 7 | 35077.0000 | 1 | Tee .375" Barb |
| 8 | | 1 | Hose, Flex .375" ID x 5.75" Braid (Order item 21) |
| 9 | | 1 | Hose, Flex .375" ID x 1.50" Braid (Order item 21) |
| 10 | 34462.0000 | 2 | Coupling, Quick Disconnect, Male |
| 11 | 51956.0000 | 1 | Tee, Nylon .38" x .38" x .25" Barb |
| 12 | | 1 | Hose, Flex .375" ID x 1.5" Braid (Order item 21) |
| 13 | | 1 1 | Hose, Braided .25" ID x 4.0" 120V (Order item 22) Hose, Braided .25" ID x 3.50" 230V (Order item 22) |
| 14 | | 1 1 | Hose, Braided .25" ID x 23.0" 120V (Order item 22) Hose, Braided .25" ID x 26.0" 230V (Order item 22) |
| 15 | 21275.0006 | 4 | Clamp .45" - .55" |
| 16 | 39509.0001 | 1 | Nozzle, Cold Water |
| 17 | 32851.0000 | 1 | O-ring |
| 18 | 28378.1021 01326.0002 28006.1008 02308.0000 52282.0000 01501.0000 | 1 2 1 2 2 2 | Valve w/Fittings, Solenoid 120V Screw, Truss Head, Locking #10-32 x .312" Valve w/Fittings, Solenoid 230V Screw, Pan Head #8-32 x .38" (Early Models) Screw, Pan Head M3 x 10mm (Late Models) Washer |
| 19 | | 2 | Hose, Flex .375" ID x 2.50" Braid (Order item 21) (230V) |
| 20 | 40071.0001 | 1 | Check Valve (230V) |
| 21 | 34325.1000 34325.1001 34325.1002 | - - - | Hose, Flex .375" ID x .625" OD x 12.0" Braid (Cut to required length) Hose, Flex .375" ID x .625" OD x 36.0" Braid (Cut to required length) Hose, Flex .375" ID x .625" OD x 120.0" Braid (Cut to required length) |
| 22 | 38129.1000 38129.1001 38129.1002 | 1 1 1 | Hose, Braided .25" ID x 12.0" (Cut to required length) Hose, Braided .25" ID x 36.0" (Cut to required length) Hose, Braided .25" ID x 120.0" (Cut to required length) |
| 23 | M2337.1000 | - | Insulation, Tube 25/50 .50" ID x 72.0" (Cut to required length) |
| 24 | M2336.1000 | - | Insulation, Tube 25/50 .38" ID x 72.0" (Cut to required length) |
| 25 | 39924.1000 39924.1001 | - - | Hose Assy 120V (Includes items 2, 6 - 17, 21 & 22) Hose Assy 230V (Includes items 2, 6 - 17, 21 & 22) |

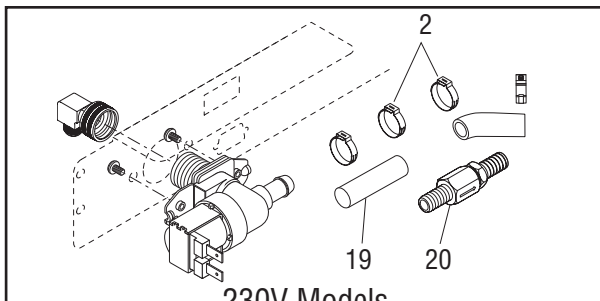
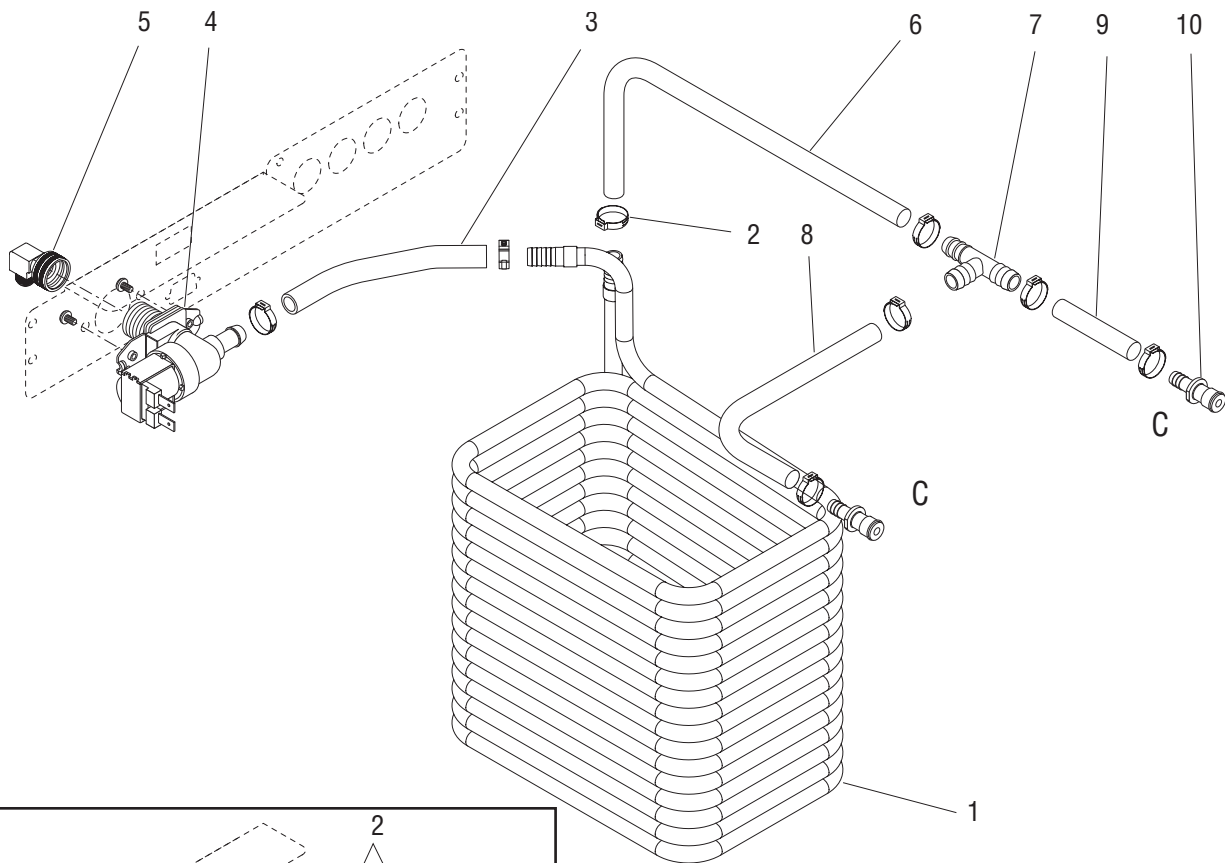


PRODUCT COIL & LINES

JDF-4S



Models w/ Cold Water Dispense



230V Models

NOTE: Letters appearing within this illustration correspond to matching connections in other illustrations.

P3862

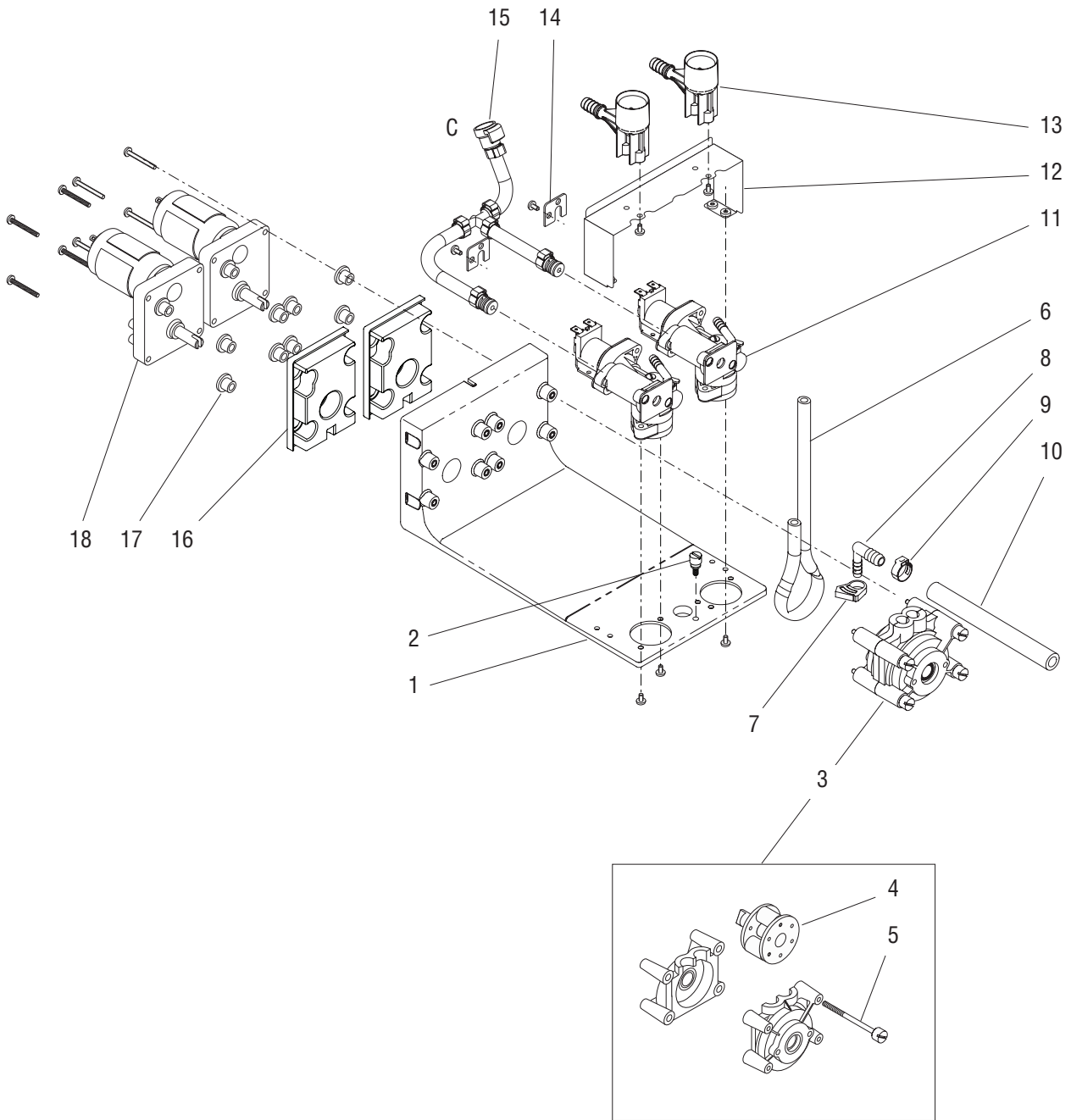
PRODUCT COIL & LINES

| ITEM | PART NO. | QTY. | DESCRIPTION |
|------|------------|------|-----------------------------------------------------------------------|
| 26 | 43644.0000 | - | Kit, Valve Rebuild (Not Illustrated) |
| 27 | 54496.1000 | - | Hose, Flex .38" ID x 12.0" Braided Wht Line (Cut to required length) |
| | 54496.1001 | - | Hose, Flex .38" ID x 36.0" Braided Wht Line (Cut to required length) |
| | 54496.1002 | - | Hose, Flex .38" ID x 120.0" Braided Wht Line (Cut to required length) |



DISPENSE PLATFORM ASSEMBLY

JDF-4S



NOTE: Letters appearing within this illustration correspond to matching connections in other illustrations.

P3623

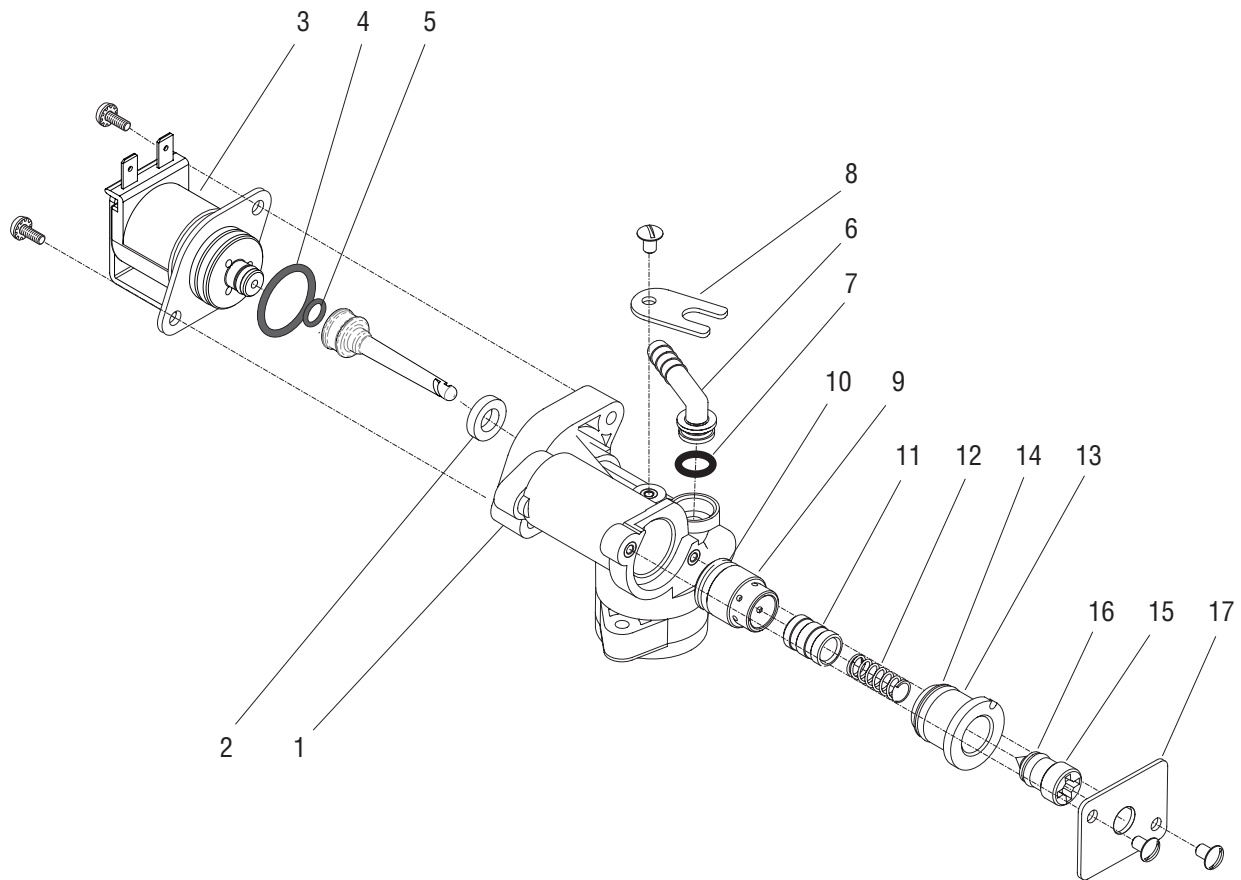
DISPENSE PLATFORM ASSEMBLY

| ITEM | PART NO. | QTY. | DESCRIPTION |
|-----------------------------------------|------------|------|--------------------------------------------------------------|
| - | 38474.1000 | 2 | Platform Assy (Each includes items 1 - 19) |
| 1 | 38121.0003 | 1 | Platform |
| 2 | 38104.0000 | 1 | Thumbscrew |
| 3 | 28759.0000 | 2 | Pump Head (Includes items 4 & 5) |
| 4 | 28794.0000 | 2 | Rotor |
| 5 | 01370.0001 | 8 | Screw, Pan Head #8-32 x 2.45" |
| 6 | 28755.1011 | 2 | Tube, Norprene .25" ID x 17.0" lg |
| 7 | 12422.0011 | 2 | Hose-Snap Type.40/.45ID |
| 8 | 32656.0000 | 2 | Fitting, Elbow .25" Barb x .38" Barb |
| 9 | 21275.0012 | 8 | Clamp, SST-.563/.661 DIA#16.8 Green |
| 10 | | 2 | Tube, Silicone .38ID x .62OD x 5.25 (Order item 20) |
| 11 | 38018.1001 | 2 | Dispense Valve (See DISPENSE VALVE) |
| | 01308.0000 | 4 | Screw, Truss Head #6-32 x 25" |
| 12 | 38660.0001 | 1 | Bracket |
| | 01308.0000 | 4 | Screw, Truss Head #6-32 x 25" |
| 13 | 38120.0005 | 2 | Fitting, Bottle Adapter |
| | 01308.0000 | 4 | Screw, Truss Head #6-32 x 25" |
| 14 | 37786.0001 | 2 | Plate |
| | 01308.0000 | 2 | Screw, Truss Head #6-32 x 25" |
| 15 | ----- | 1 | Manifold, Plain Water (See PLAIN WATER MANIFOLD) |
| 16 | 33781.0000 | 2 | Gasket |
| 17 | 32957.0000 | 8 | Bushing, Rubber |
| 18 | 32613.1003 | 2 | Motor Assy |
| | 01322.0001 | 8 | Screw #8-32 x 1.25" |
| The following items are not illustrated | | | |
| 19 | 38873.0001 | 2 | Harness, Dispense Platform |
| 20 | 20976.1000 | - | Tube, Silicone - .375ID x 12.0" LG (Cut to required length) |
| | 20976.1001 | - | Tube, Silicone - .375ID x 36.0" LG (Cut to required length) |
| | 20976.1002 | - | Tube, Silicone - .375ID x 120.0" LG (Cut to required length) |
| 21 | 39690.0000 | - | Pump Tube (Includes items 6,7,8,9 & 10) |



DISPENSE VALVE ASSEMBLY

JDF-4S



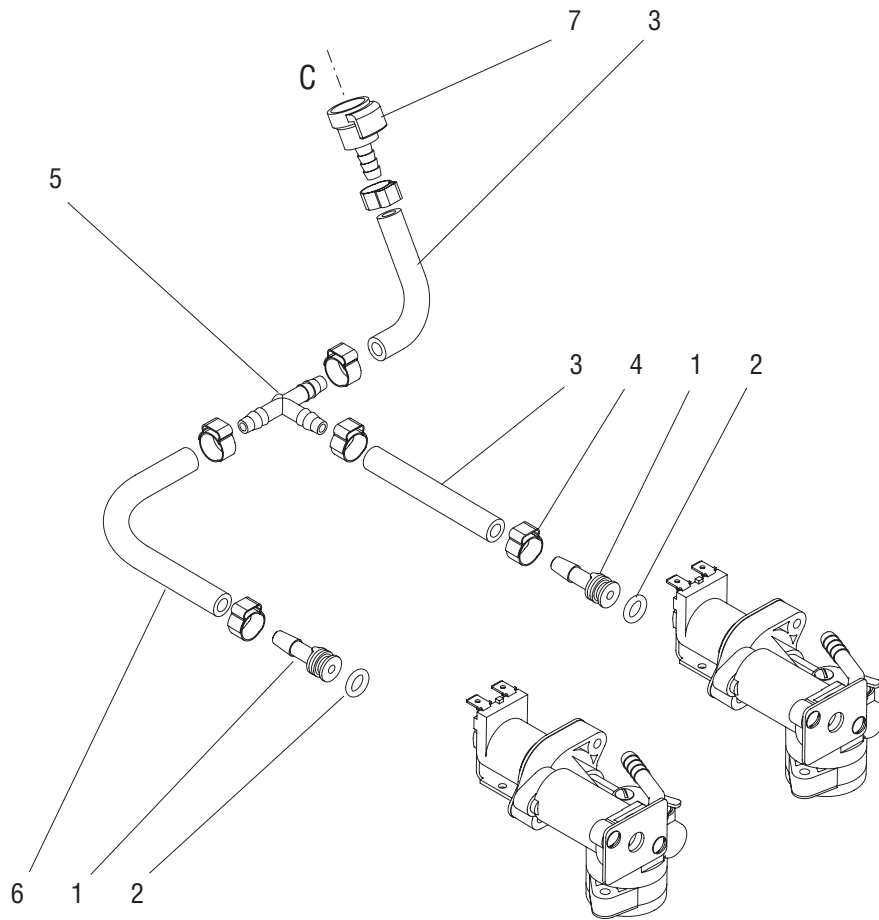
DISPENSE VALVE ASSEMBLY

| ITEM | PART NO. | QTY. | DESCRIPTION |
|------|------------|------|---------------------------------------------------------|
| - | 38018.1001 | 1 | Dispense Valve Assy (Includes items 1 - 18) |
| 1 | 37801.0003 | 1 | Body |
| 2 | 37990.0000 | 1 | Seal |
| 3 | 32252.0001 | 1 | Valve, Solenoid (Includes items 4 & 5) |
| | 01347.0000 | 2 | Screw, Truss Head 6-32 x .38" |
| 4 | 33580.0000 | 1 | O-ring |
| 5 | 33553.0000 | 1 | O-ring |
| 6 | 32463.0000 | 1 | Fitting, Elbow |
| 7 | 32849.0001 | 1 | O-ring (Also use item 18) |
| 8 | 37853.0000 | 1 | Clamp |
| | 01308.0000 | 1 | Screw #6-32 x .25" |
| 9 | 32603.0000 | 1 | Sleeve |
| 10 | 24733.0006 | 1 | O-ring (Also use item 18) |
| 11 | 32602.0000 | 1 | Piston |
| 12 | 32853.0001 | 1 | Spring, Flow Control |
| 13 | 32624.0002 | 1 | Bonnet, Adjuster |
| 14 | 24733.0017 | 1 | O-ring (Also use item 18) |
| 15 | 32623.0002 | 1 | Adjuster, Position |
| 16 | 32851.0000 | 1 | O-ring (Also use item 18) |
| 17 | 37977.0000 | 1 | Bracket, Water Adjustment |
| | 01308.0000 | 2 | Screw #6-32 x .25" |
| 18 | 44023.0000 | - | Lube, Silicone (Use when assembling items 7,10,14 & 16) |



PLAIN WATER MANIFOLD

JDF-4S



P3624

NOTE: Letters appearing within this illustration correspond to matching connections in other illustrations.

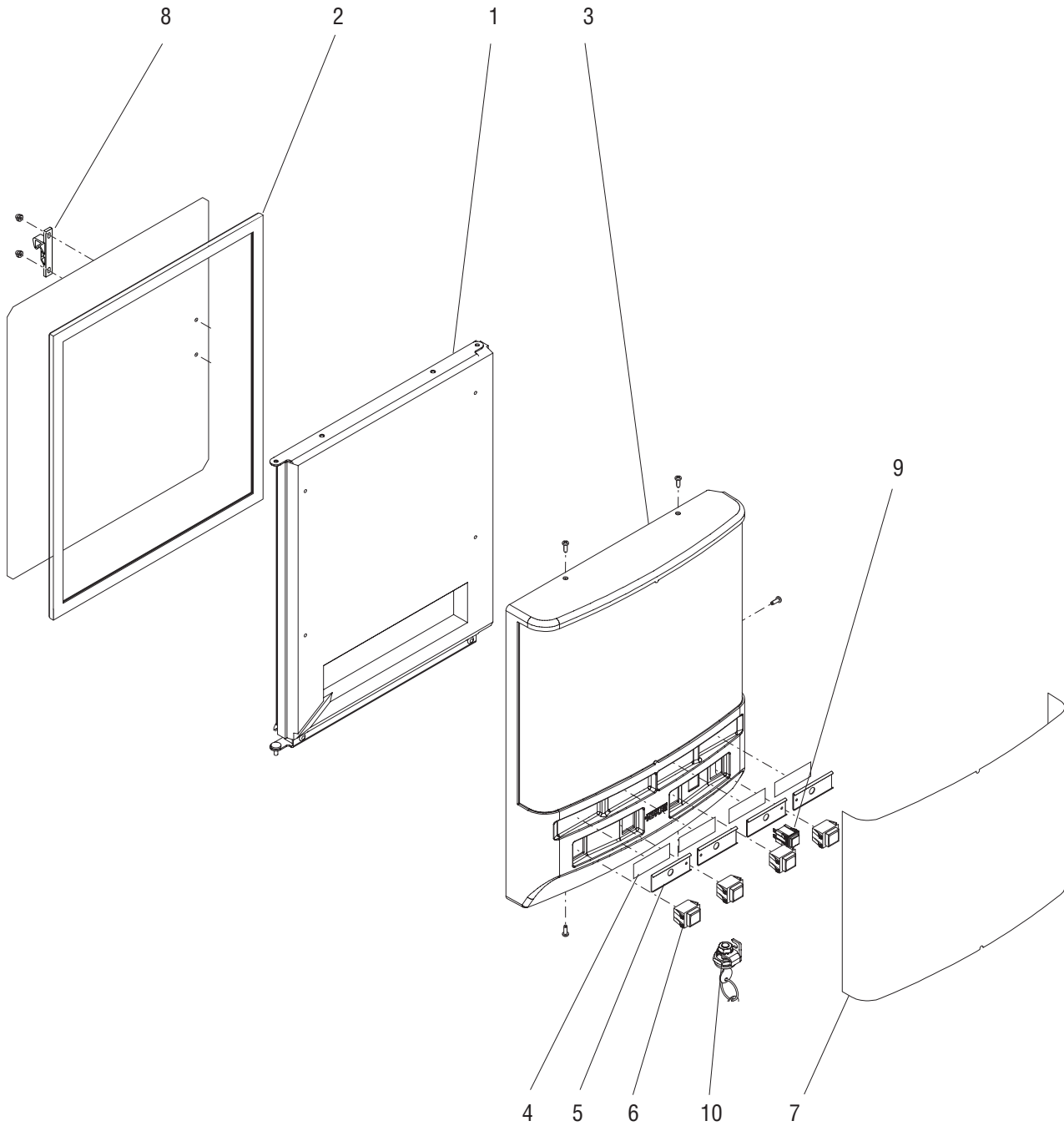
PLAIN WATER MANIFOLD

| ITEM | PART NO. | QTY. | DESCRIPTION |
|------|------------|------|---------------------------------------------------------|
| 1 | 32631.0004 | 4 | Fitting, Straight |
| 2 | 32849.0001 | 4 | O-ring |
| 3 | | 4 | Hose, Braided .25" ID x 3.0" (Order item 8) |
| 4 | 21275.0006 | 12 | Clamp .45 - .55" |
| 5 | 38605.0000 | 2 | Tee .25" Barb |
| 6 | | 2 | Hose, Braided .25" ID x 5.25" (Order item 8) |
| 7 | 34461.0000 | 2 | Coupling, Quick Disconnect, Female |
| 8 | 38129.1000 | 1 | Hose, Braided .25" ID x 12.0" (Cut to required length) |
| | 38129.1001 | 1 | Hose, Braided .25" ID x 36.0" (Cut to required length) |
| | 38129.1002 | 1 | Hose, Braided .25" ID x 120.0" (Cut to required length) |



DOOR ASSEMBLY - UNLIT

JDF-4S



P3863

DOOR ASSEMBLY - UNLITED

| ITEM | PART NO. | QTY. | DESCRIPTION |
|------|------------|------|---------------------------------------|
| 1 | 49990.0002 | 1 | Door, Inner (Includes item 2) |
| 2 | 38568.0003 | 1 | Gasket, Door |
| 3 | 39420.0003 | 1 | Cover, Door Front |
| | 02331.0001 | 5 | Screw, Truss Head, Blk #10-32 x .375" |
| 4 | 32819.0001 | 4 | Strip, Adhesive |
| 5 | 37018.0001 | 4 | Flavor Label Holder |
| 6 | 28296.0002 | 4 | Switch, Dispense |
| 7 | 39407.0000 | 1 | Decal, Door Wrap (BUNN Juice) |
| | 39407.0001 | 1 | Decal, Door Wrap (BUNN Iced Coffee) |
| 8 | 34667.0001 | 1 | Keeper, Door Latch |
| | 02319.0000 | 2 | Nut, Acorn |
| | 01501.0000 | 2 | Washer |
| 9 | 39408.0000 | 1 | Switch, Cold Water Dispense |
| 10 | 34472.1002 | 1 | Key Lock (Includes 2 keys) |
| | 28095.0000 | 1 | Key Set |

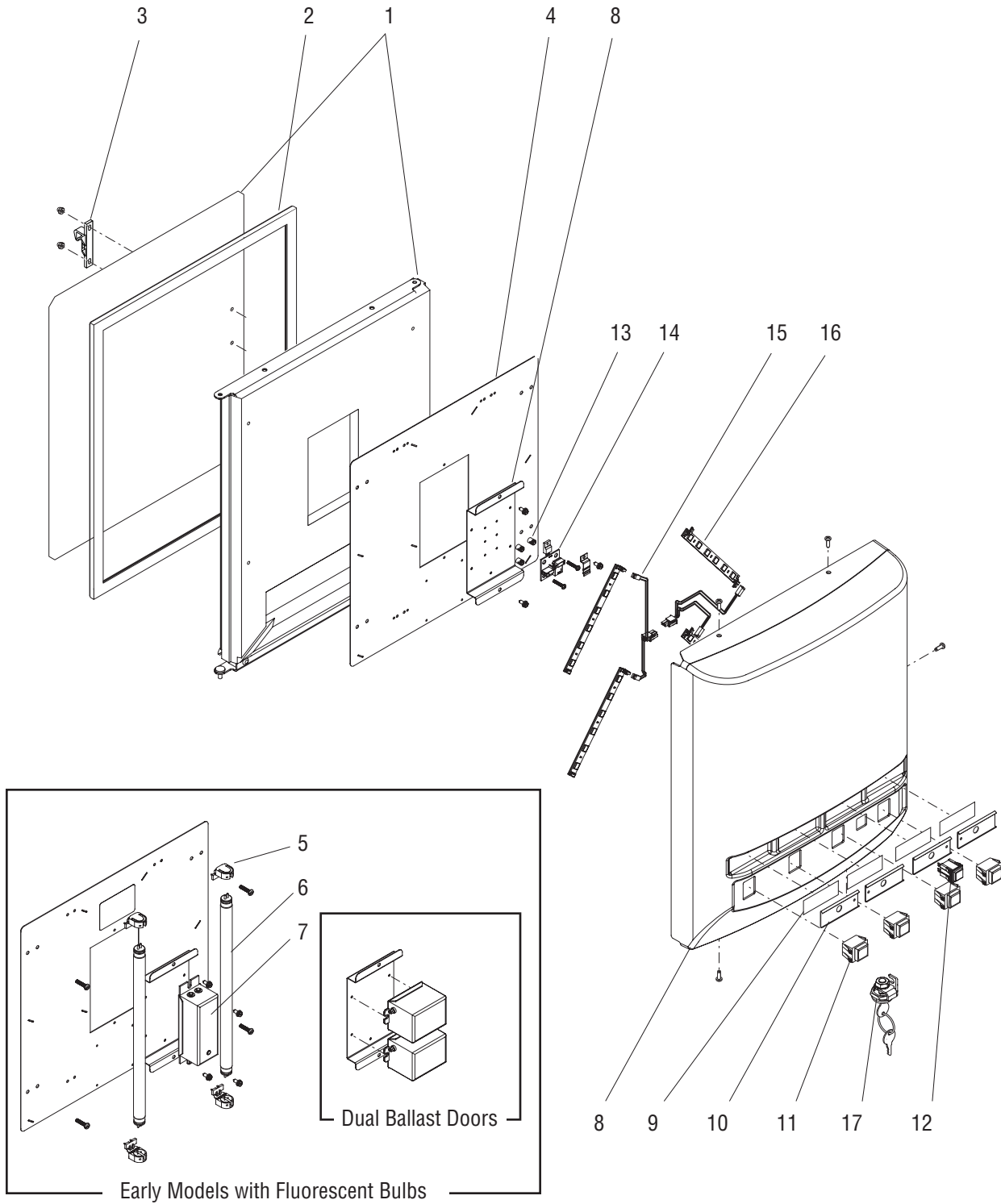
The following items are not illustrated

| | | | |
|----|------------|---|-----------------------------------|
| 11 | 39739.0000 | 1 | Wiring Harness, Switches |
| 12 | 32861.0000 | - | Decals, Flavor (BUNN Juice) |
| | 32861.0001 | - | Decals, Flavor (BUNN Iced Coffee) |



DOOR ASSEMBLY - LITED w/MECHANICAL SWITCHES

JDF-4S



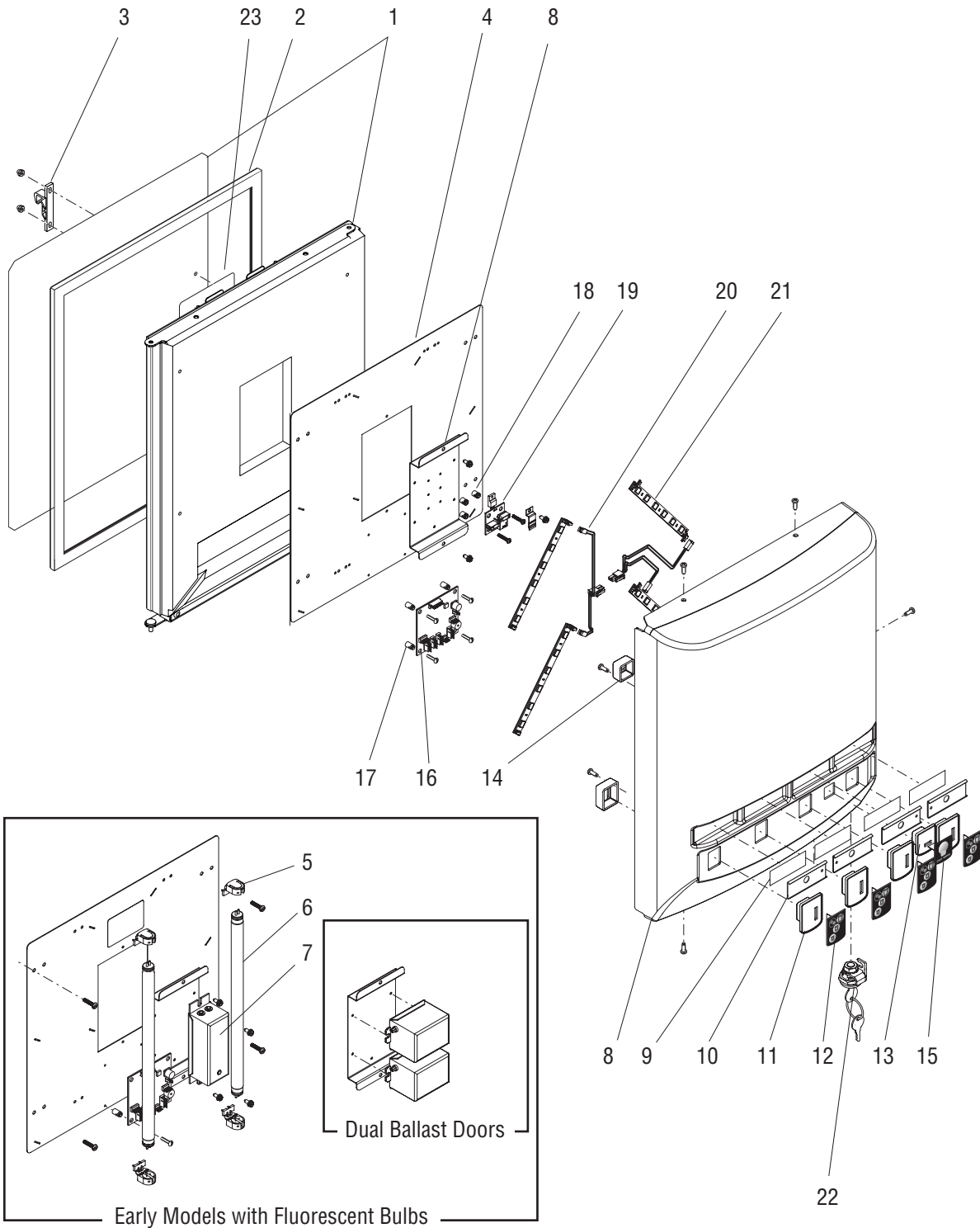
P3934

DOOR ASSEMBLY - LITED w/MECHANICAL SWITCHES

| ITEM | PART NO. | QTY. | DESCRIPTION |
|------|------------|------|------------------------------------------------------------------|
| 1 | 49990.0002 | 1 | Door, Inner (Includes item 2) |
| 2 | 38568.0003 | 1 | Gasket, Door |
| 3 | 34667.0001 | 1 | Keeper, Door Latch |
| | 02319.0000 | 2 | Nut, Acorn |
| | 01501.0000 | 2 | Washer |
| 4 | 39724.0001 | 1 | Panel, Light |
| | 01370.0000 | 4 | Screw, Pan Head #8-32 x .75" |
| 5 | 27543.0001 | 4 | Lamp Holder (Early Models) |
| 6 | 26239.0000 | 2 | Lamp, Fluorescent (Early Models) |
| 7 | 42529.0001 | 1 | Ballast (Single Ballast Doors) |
| | 02335.0001 | 2 | Screw, Hex Crimptite #8 x .38" |
| 8 | 39706.0027 | 1 | Cover, Door Front (Juice Display) |
| | 39706.0028 | 1 | Cover, Door Front (Iced Coffee Display) |
| | 39706.0029 | 1 | Cover, Door Front (Juice Display)(Models w/ Cold Water Dispense) |
| | 02331.0001 | 5 | Screw, Truss Head, Blk #10-32 x .375" |
| 9 | 32819.0001 | 4 | Strip, Adhesive |
| 10 | 37018.0001 | 4 | Flavor Label Holder |
| 11 | 28296.0002 | 4 | Switch, Dispense |
| 12 | 39408.0000 | 1 | Switch, Cold Water Dispense |
| 13 | 29081.0005 | 3 | Spacer |
| 14 | 41727.1000 | 1 | Circuit Board |
| 15 | 42609.0001 | 2 | Wiring Harness |
| 16 | 42593.0000 | 4 | LED |
| 17 | 34472.1002 | 1 | Key Lock (Includes 2 keys) |
| | 28095.0000 | 1 | Key Set |

The following items are not illustrated

| | | | |
|----|------------|---|----------------------------------------------------------------|
| 18 | 39739.0000 | 1 | Wiring Harness, Switches |
| 19 | 32861.0000 | - | Decals, Flavor (BUNN Juice) |
| | 32861.0001 | - | Decals, Flavor (BUNN Iced Coffee) |
| 20 | 41202.0000 | 1 | Wiring Harness, Door (Models with Fluorescent Bulbs) |
| | 41202.0001 | 1 | Wiring Harness, Door (Models with LED Lights) |
| | 41202.0007 | 1 | Wiring Harness, Door (Models with LED Lights & Program Switch) |

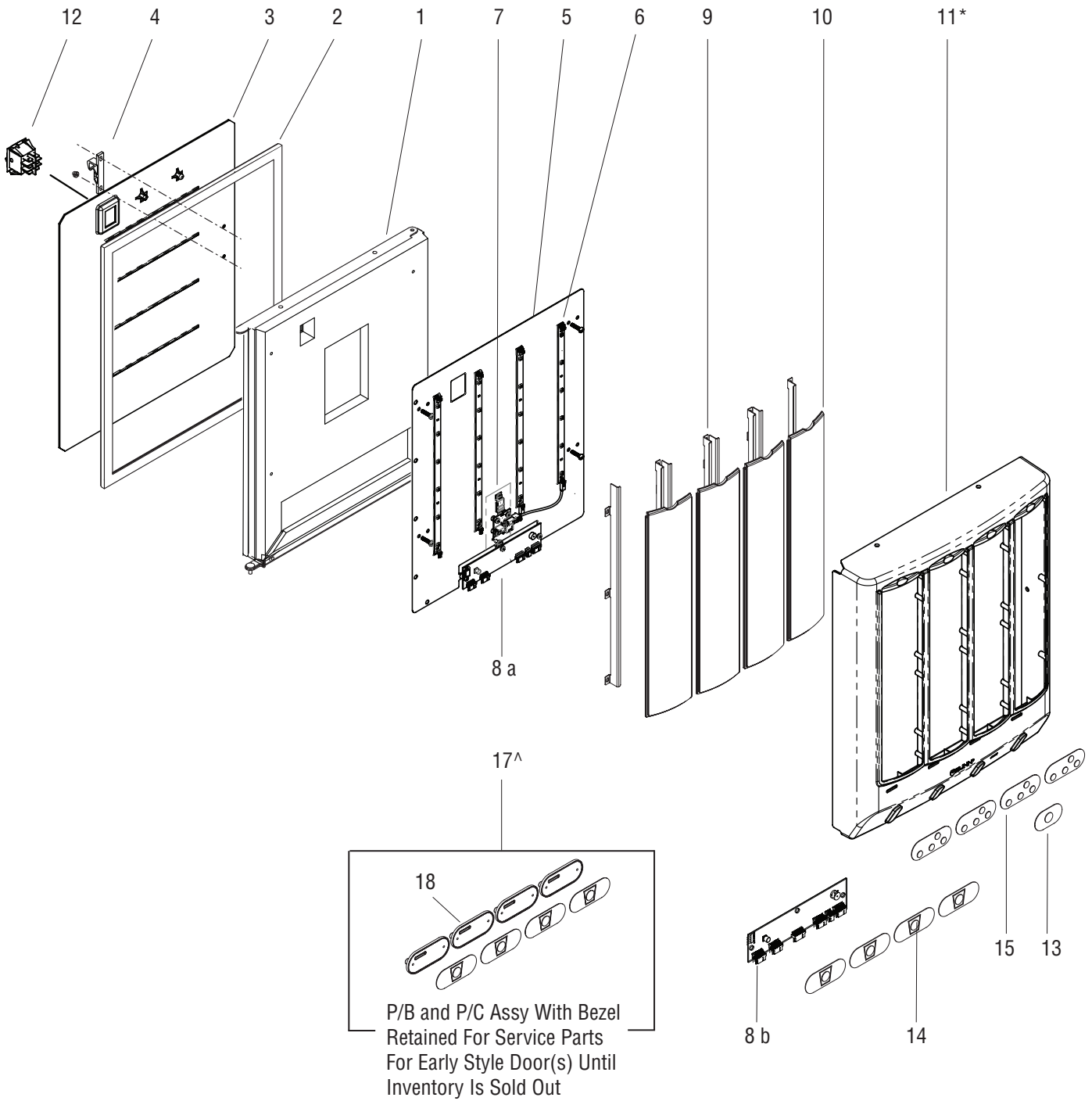


DOOR ASSEMBLY - LITED w/MEMBRANE SWITCHES

| ITEM | PART NO. | QTY. | DESCRIPTION |
|------|------------|------|------------------------------------------------------------------|
| 1 | 49990.0002 | 1 | Door, Inner (Includes item 2) |
| 2 | 38568.0003 | 1 | Gasket, Door |
| 3 | 34667.0001 | 1 | Keeper, Door Latch |
| | 02319.0000 | 2 | Nut, Acorn |
| | 01501.0000 | 2 | Washer |
| 4 | 39724.0001 | 1 | Panel, Light |
| | 01370.0000 | 4 | Screw, Pan Head #8-32 x .75" |
| 5 | 27543.0001 | 4 | Lamp Holder (Early Models) |
| 6 | 26239.0000 | 2 | Lamp, Fluorescent (Early Models) |
| 7 | 52529.0001 | 1 | Ballast (Single Ballast Doors) |
| | 02335.0001 | 2 | Screw, Hex Crimptite #8 x .38" |
| 8 | 39706.0027 | 1 | Cover, Door Front (Juice Display) |
| | 39706.0028 | 1 | Cover, Door Front (Iced Coffee Display) |
| | 39706.0029 | 1 | Cover, Door Front (Juice Display)(Models w/ Cold Water Dispense) |
| | 02331.0001 | 5 | Screw, Truss Head, Blk #10-32 x .375" |
| 9 | 32819.0001 | 4 | Strip, Adhesive |
| 10 | 37018.0001 | 4 | Flavor Label Holder |
| 11 | 41298.0000 | 4 | Bezel Assy, Switch (Portion Control) |
| | 41299.0000 | 4 | Bezel Assy, Switch (Push Button) |
| 12 | 40606.0000 | 4 | Membrane Switch (Portion Control Models) |
| | 44971.0000 | 4 | Membrane Switch (Push Button Models) |
| 13 | 40748.0000 | 1 | Bezel, Cold Water Dispense Switch |
| 14 | 40747.0000 | 4 | Retainer, Bezel |
| | 01360.0001 | 8 | Screw, Pan Head #6 x .60" |
| 15 | 40605.0000 | 1 | Membrane Switch, Cold Water Dispense |
| 16 | 40875.1000 | 1 | Circuit Board, Portion Control |
| 17 | 29081.0000 | 4 | Spacer, Circuit Board |
| 18 | 29081.0005 | 3 | Spacer |
| 19 | 41727.1000 | 1 | Circuit Board |
| 20 | 42609.0001 | 2 | Wiring Harness |
| 21 | 42593.0000 | 4 | LED |
| 22 | 34472.1002 | 1 | Key Lock (Includes 2 keys) |
| | 28095.0000 | 1 | Key Set |
| 23 | 49633.1000 | 1 | Bracket Kit |
| | 02340.0001 | 2 | Screw |

The following items are not illustrated

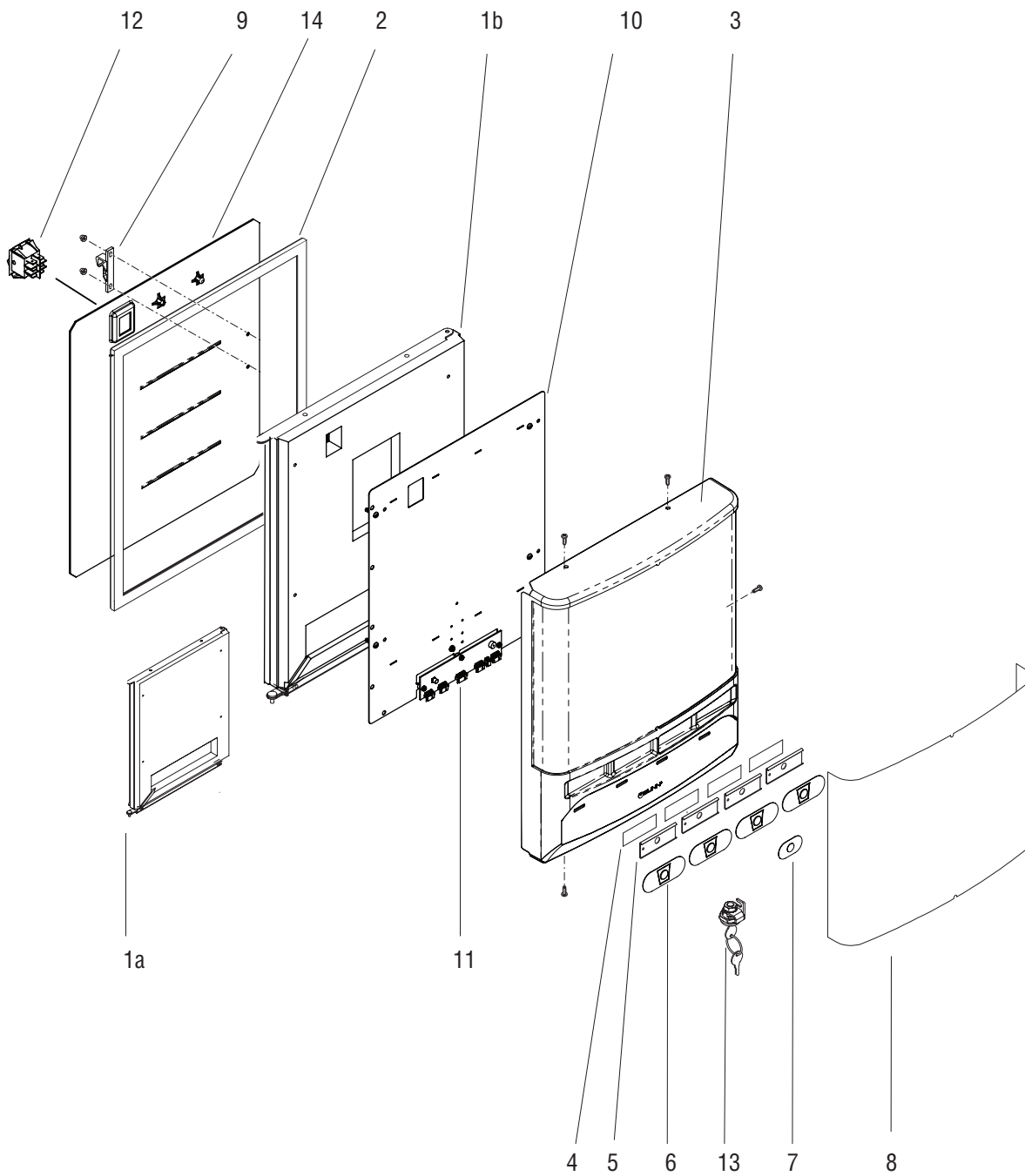
| | | | |
|----|------------|---|----------------------------------------------------------------|
| 24 | 41202.0000 | 1 | Wiring Harness, Door (Models with Fluorescent Bulbs) |
| | 41202.0001 | 1 | Wiring Harness, Door (Models with LED Lights) |
| | 41202.0007 | 1 | Wiring Harness, Door (Models with LED Lights & Program Switch) |
| 25 | 32861.0000 | - | Decals, Flavor (BUNN Juice) |
| | 32861.0001 | - | Decals, Flavor (BUNN Iced Coffee) |



DOOR ASSEMBLY - LITED 4 LENS DISPLAY

| ITEM | PART NO. | QTY. | DESCRIPTION |
|-----------------------------------------|-------------------------|------|-----------------------------------------------------------------------------|
| 1 | 49990.0004 | 1 | Door Assy, Foamed with Dispense Switch Hole (Includes item 2 - Later Style) |
| 2 | 38568.0003 | 1 | Gasket, Door |
| 3 | 49983.0001 | 1 | Panel Assy, Door Inner w/Dispense Switch Hole - JDF-4S |
| 4 | 34667.0001 | 1 | Keeper, Door Latch |
| | 02319.0000 | 2 | Nut, Acorn |
| | 01501.0000 | 2 | Washer |
| 5 | 50424.1004 | 1 | Panel Assy, LIT-LED PC Four Graphic JDF-4S (Includes item 6, 7, 8a) |
| | 50424.1005 | 1 | Panel Assy, LIT-LED PB Four Graphic JDF-4S (Includes item 6, 7, 8b) |
| 6 | 50421.0000 | 4 | CBA, 6 LED |
| 7 | 41727.1000 | 1 | CBA, LED Backlight Regulator |
| | 29081.0005 | 3 | Spacer, PCB Mounting #6 x .250 LG |
| | 14002.6300 | 3 | Screw, PHN Cross Rec 6-20 x .75 |
| 8 | 50477.1000 a | 1 | CBA, JDF-2S/4S PC 4 Switch |
| | 50477.1001 b | 1 | CBA, JDF-2S/4S Membrane Switch |
| | 29081.0005 | 3 | Spacer, PCB Mtg #6 x .250 LG |
| | 14002.6300 | 3 | Screw, PHN Cross Rec 6-20 x .75 |
| 9 | 50519.0000 | 8 | Bracket, Lens Retaining |
| | 50530.0000 | 24 | Screw, Hex Washer #6-20 x .50" |
| 10 | 50081.0000 | 4 | Lens |
| 11 | 50082.1004* | 1 | Door, 4 Lens (Models without Cold Water Dispense) |
| | 50082.1005* | 1 | Door, 4 Lens (Models with Cold Water Dispense) |
| | 02331.0001 | 5 | Screw, TRH SLTD Black OXD 10-32 |
| 12 | 52922.0000 | 1 | Switch, Dispense Lockout |
| | 53913.0000 | 1 | Decal, On Dispense Off (Not Illustrated) |
| 13 | 50603.0000 | 1 | Switch, Membrane Water Button |
| 14 | 50489.0000 | 4 | Switch, Membrane One Button |
| 15 | 50490.0000 | 2 | Four Button Membrane Switch (Portion Control Models) |
| 16 | 34472.1002 | 1 | Key Lock (Includes 2 keys - Not Illustrated) |
| 17 | 51965.0000 [^] | 4 | Switch Assy, Portion Control (Includes Bezel and Screws) |
| | 51965.0001 [^] | 4 | Switch Assy, Push Button (Includes Bezel and Screws) |
| 18 | 50080.0000 | 1 | Bezel, Membrane Switch |
| | 50530.0000 | 2 | Screw, Hex WSHR Type 25 6-20 x .50 ZN PL |
| The following items are not illustrated | | | |
| 19 | 42609.0001 | 1 | Wiring Harness, LED/CBA JDF-2S/4S |
| 20 | 41202.0011 | 1 | Wiring Harness, Door PH-Juice |
| | 41202.0012 | 1 | Wiring Harness, Door PC-Juice |
| 21 | 54692.0002 | 1 | Wiring Harness, JDF-4S Disp/Disable SW - PH |
| | 54692.0003 | 1 | Wiring Harness, JDF-4S Disp/Disable SW - PC |
| 22 | 50543.1000 | - | Graphics Kit |

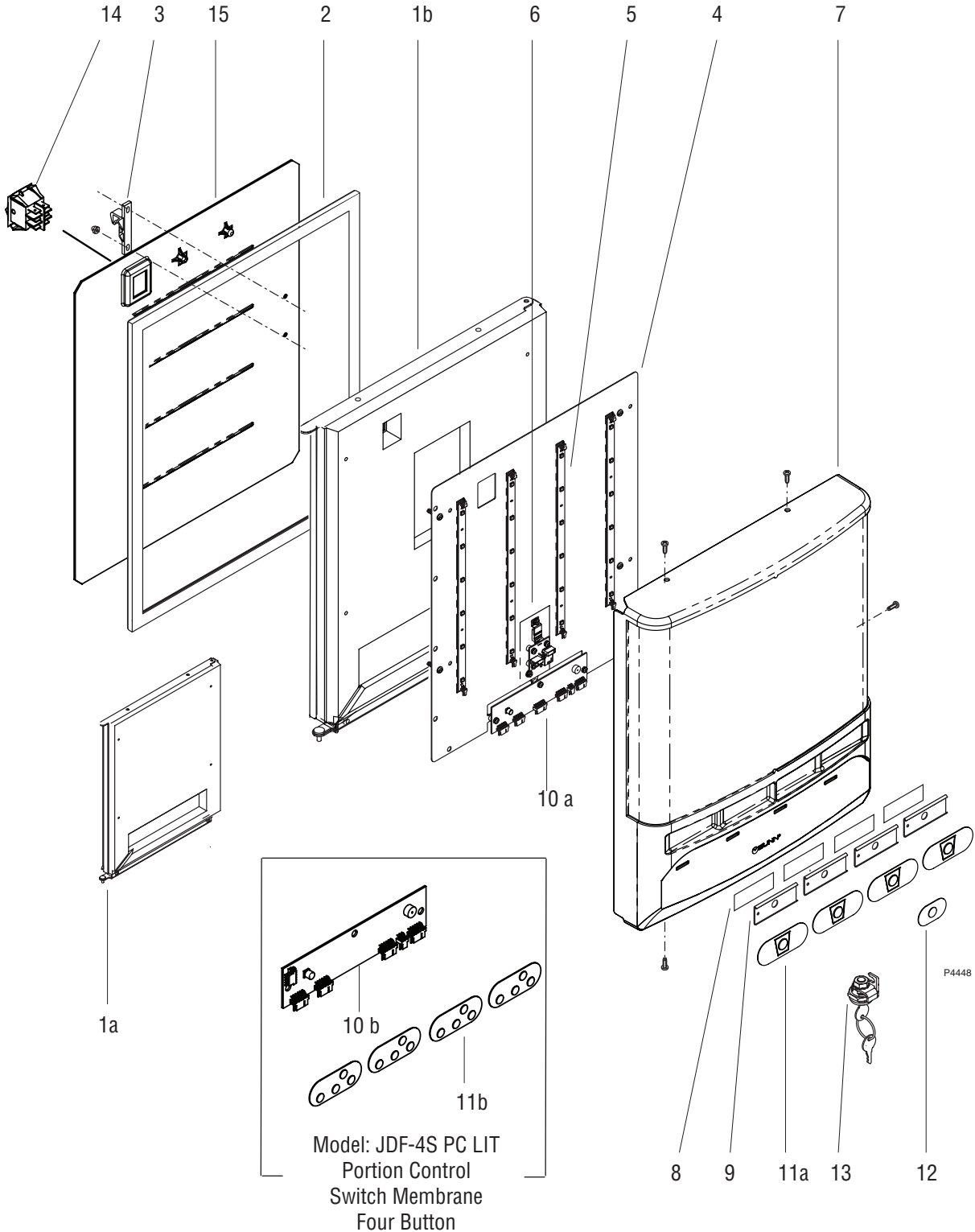
* Door, 4 Lens utilizes 50489.0000, 50490.0000 and 50603.0000 membrane switches only.



DOOR ASSEMBLY - UNLITED PUSH/HOLD MEMBRANE

| ITEM | PART NO. | QTY. | DESCRIPTION |
|-----------------------------------------|--------------|------|--------------------------------------------------------------------------------|
| 1 | 49990.0002 a | 1 | Door Assy, Foamed without Dispense Switch Hole (Includes item 2 - Early Style) |
| | 49990.0004 b | 1 | Door Assy, Foamed with Dispense Switch Hole (Includes item 2 - Later Style) |
| 2 | 38568.0003 | 1 | Gasket, Door |
| 3 | 39420.0003* | 1 | Cover, Door Front |
| | 39420.0004* | 1 | Cover, Door Front JDF-4S with Water |
| | 02331.0001 | 5 | Screw, Truss Head, Blk #10-32 x .375" |
| 4 | 32819.0001 | 4 | Strip, Adhesive |
| 5 | 37018.0001 | 4 | Flavor Label Holder |
| 6 | 50489.0000 | 4 | Switch, Membrane One Button |
| 7 | 50603.0000 | 1 | Switch, Membrane Water Button |
| 8 | 39407.0000 | 1 | Decal, Door Wrap (BUNN Juice) |
| | 39407.0001 | 1 | Decal, Door Wrap (BUNN Iced Coffee) |
| 9 | 34667.0001 | 1 | Keeper, Door Latch |
| | 02319.0000 | 2 | Nut, Acorn |
| | 01501.0000 | 2 | Washer |
| 10 | 50424.1006 | 1 | Panel Assy, PB JDF-4S (Includes item 11) |
| 11 | 50477.1001 | 1 | CBA, JDF-2S/4S Membrane Switch |
| | 29081.0005 | 3 | Spacer, PCB Mtg #6 x .250 LG |
| | 14002.6300 | 3 | Screw, PHN Cross Rec 6-20 x .75 |
| 12 | 52922.0000 | 1 | Switch, Dispense Lockout |
| 13 | 34472.1002 | 1 | Key Lock (Includes 2 keys) |
| | 28095.0000 | 1 | Key Set |
| 14 | 49983.0001 | 1 | Panel Assy, Door Inner w/Dispense Switch Hole - JDF-4S |
| The following items are not illustrated | | | |
| 15 | 54692.0002 | 1 | Wiring Harness, JDF-4S Disp/Disable |
| 16 | 41202.0011 | 1 | Wiring Harness, Door PH-Juice |
| 17 | 32861.0000 | - | Decals, Flavor (BUNN Juice) |
| | 32861.0001 | - | Decals, Flavor (BUNN Iced Coffee) |
| 18 | 53913.0000 | 1 | Decal, On Dispense Off (Reference item 12) |
| | 53913.8500 | - | Decal, On Dispense Off (Arabic) |

* Door Cover utilizes 50489.0000 and 50603.0000 membrane switches only.



DOOR ASSEMBLY - LITED w/PH or PC MEMBRANE SWITCHES

| ITEM | PART NO. | QTY. | DESCRIPTION |
|------|--------------|------|-------------------------------------------------------------------------------|
| 1 | 49990.0002 a | 1 | Door Assy, Foamed without Dispense Switch Hole(Includes item 2 - Early Style) |
| | 49990.0004 b | 1 | Door Assy, Foamed with Dispense Switch Hole(Includes item 2 -Later style) |
| 2 | 38568.0003 | 1 | Gasket, Door |
| 3 | 34667.0001 | 1 | Keeper, Door Latch |
| | 02319.0000 | 2 | Nut, Acorn |
| | 01501.0000 | 2 | Washer |
| 4 | 50424.1005 | 1 | Panel Assy, Light-LED PB JDF-4S (Includes items 5, 6, 10a, 16) |
| | 01370.0000 | 4 | Screw, Pan Head #8-32 x .75" |
| 5 | 50421.0000 | 4 | CBA, 6 LED |
| 6 | 41727.1000 | 1 | CBA, LED Backlight Regulator |
| | 29081.0005 | 3 | Spacer, PCB Mounting #6 x .250 LG |
| | 14002.6300 | 3 | Screw, PHN Cross Rec 6-20 x .75 |
| 7 | 53745.0000* | 1 | Graphic Form, Lit Door w/Lock JDF-4S Membrane (Juice) |
| | 53745.0001* | 1 | Graphic Form, Door w/water JDF-4S Membrane (Juice) |
| | 02331.0001 | 5 | Screw, Truss Head, Blk #10-32 x .375" |
| 8 | 32819.0001 | 4 | Adhesive, Flavor Label holder |
| 9 | 37018.0001 | 4 | Flavor Label Holder |
| 10 | 50477.1001 a | 1 | CBA, JDF-2S/4S Membrane Switch |
| | 50477.1000 b | 1 | CBA, JDF-2S/4S PC 4 Switch |
| | 29081.0005 | 3 | Spacer, PCB Mtg #6 x .250 LG |
| | 14002.6300 | 3 | Screw, PHN Cross Rec 6-20 x .75 |
| 11 | 50489.0000 a | 4 | Membrane Switch (Push Button Models) |
| | 50490.0000 b | 4 | Four Button Membrane Switch (Portion Control Models) |
| 12 | 50603.0000 | 1 | Switch, Membrane Water Button |
| 13 | 34472.1002 | 1 | Key Lock (Includes 2 keys) |
| | 28095.0000 | 1 | Key Set |
| 14 | 52922.0000 | 1 | Switch, Dispense Lockout |
| 15 | 49983.0001 | 1 | Panel Assy, Door Inner w/Dispense Switch Hole - JDF-4S |

The following items are not illustrated

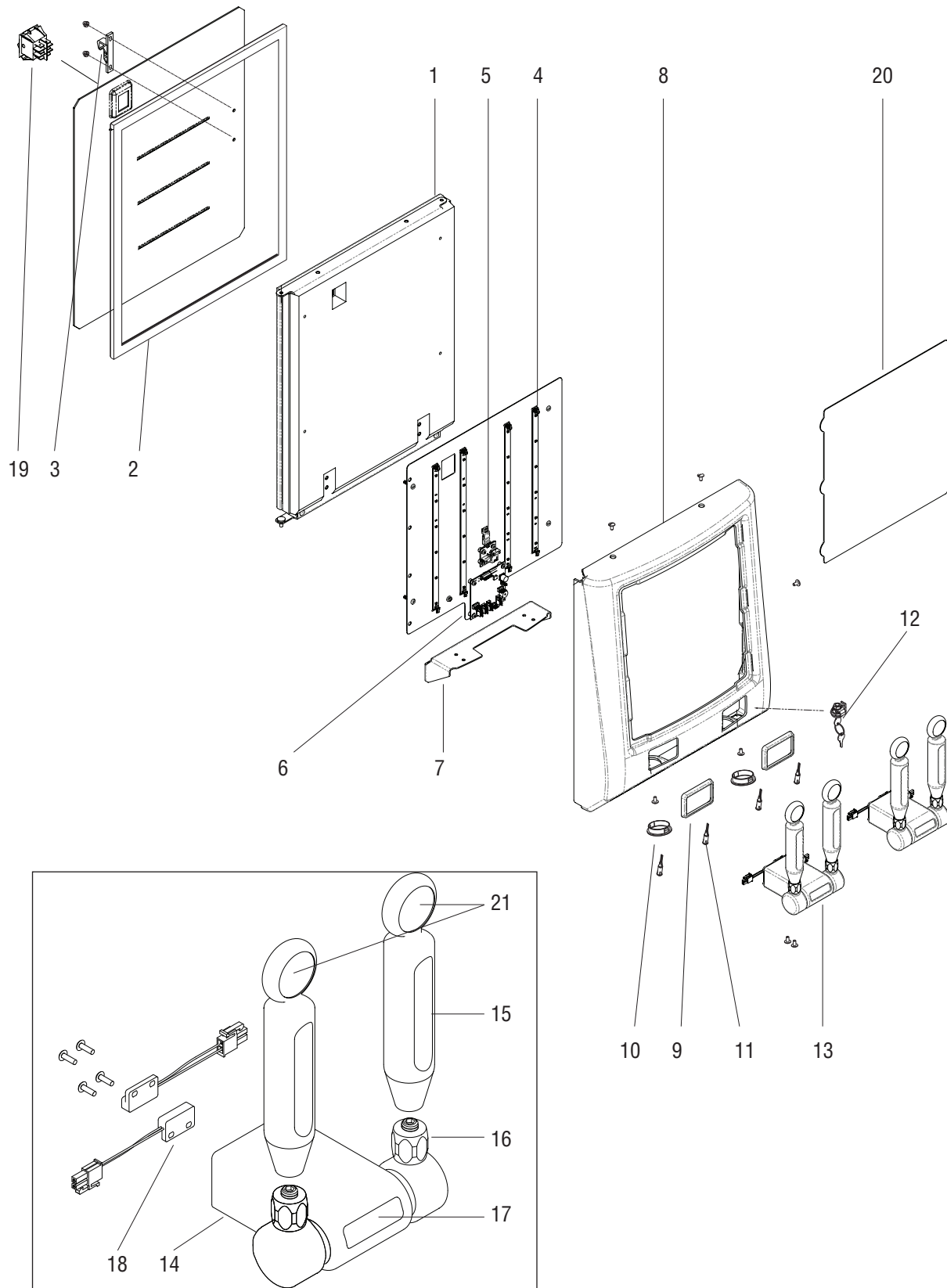
| | | | |
|----|------------|---|---------------------------------------------|
| 16 | 42609.0001 | 1 | Wiring Harness, LED/CBA JDF-2S/4S |
| 17 | 54692.0002 | 1 | Wiring Harness, JDF-4S Disp/Disable SW - PH |
| | 54692.0003 | 1 | Wiring Harness, JDF-4S Disp/Disable SW - PC |
| 18 | 41202.0011 | 1 | Wiring Harness, Door PH-Juice |
| | 41202.0012 | 1 | Wiring Harness, Door PC-Juice |
| 19 | 32861.0000 | - | Decals, Flavor (BUNN Juice) |
| | 32861.0001 | - | Decals, Flavor (BUNN Iced Coffee) |
| 20 | 53913.0000 | 1 | Decal, On Dispense Off (Reference item 14) |
| | 53913.8500 | - | Decal, On Dispense Off (Arabic) |

* Graphic Form Door utilizes 50489.0000, 50490.0000 and 50603.0000 membrane switches only.



DOOR ASSEMBLY - TAP HANDLES

JDF-4S

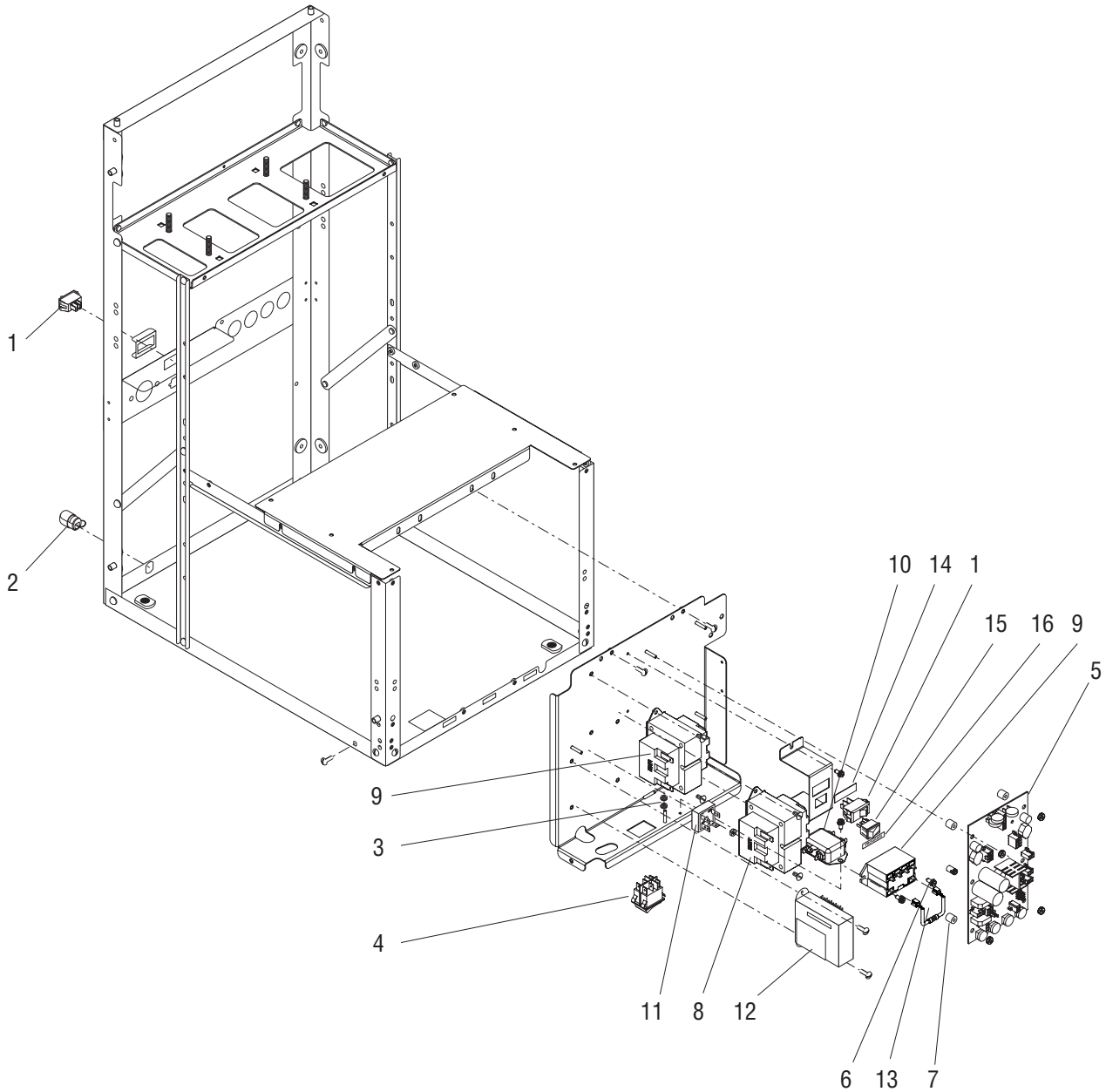


DOOR ASSEMBLY - TAP HANDLES

| ITEM | PART NO. | QTY. | DESCRIPTION |
|------|------------|------|-------------------------------------------------|
| 1 | 49990.0006 | 1 | Door Assy, Inner-Foamed JDF-4S Tap Handle |
| 2 | 38568.0003 | 1 | Gasket, Door |
| 3 | 34667.0001 | 1 | Keeper, Door Latch |
| | 02319.0000 | 2 | Nut, Acorn |
| | 01501.0000 | 2 | Washer |
| 4 | 50421.0001 | 4 | CBA, 6 LED 11.000 x .472 |
| 5 | 41727.1000 | 1 | CBA, LED Backlight Regulator |
| 6 | 40875.1000 | 1 | CBA, JDFS PC SW ROHS |
| 7 | 53212.0001 | 1 | Bracket, Handle Body Mtg 4S |
| | 01330.0000 | 4 | Screw, Hex Wshr Serr 10 - 32 x .38 |
| 8 | 54796.0000 | 1 | Graphic Form, Door 4S Tap Handles |
| | 02331.0001 | 5 | Screw, Trh Sltd Blk Oxd 10-32 |
| 9 | 53207.0002 | 2 | Gasket, Door Handle Flat |
| 10 | 53240.0000 | 2 | Plug, Pry Out 1.5 Dia Black |
| 11 | 36903.0000 | 4 | LED Assembly, Blue with Terminals |
| 12 | 34472.1002 | 1 | Kit, Door Lock Assy JDF-4S |
| 13 | 53210.1000 | 2 | Kit, Body Assembly (with Pull and Hold Handles) |
| | 01330.0000 | 4 | Screw, Hex Wshr Serr 10 - 32 x .38 |
| 14 | 53211.1000 | - | Kit, Body Assembly (Qty-1, No Handle and Nut) |
| 15 | 53213.1000 | 2 | Kit, Handle Pull - No Flavor Labels (Qty-1) |
| 16 | 53215.0000 | 2 | Nut, Handle 3/8-16 UNC |
| 17 | 54187.0000 | 2 | Decal, BUNN Logo Domed 1.8x.5 |
| 18 | 51855.0001 | 4 | Switch Assy, Reed 2 Pin Conn |
| | 02336.0000 | 8 | Screw, Trh Slotted SST 4-40 x .38 |
| 19 | 52922.0000 | 1 | Switch, Rocker DPST On/On |
| 20 | 54903.1000 | 1 | Kit, Graphic Insert Juice |
| | 54903.1001 | - | Kit, Graphic Insert Coffee |
| 21 | 53216.0018 | - | Decal, Handle Juice Flavors |
| | 53216.0019 | - | Decal, Handle Coffee Flavors |

The following items are not illustrated

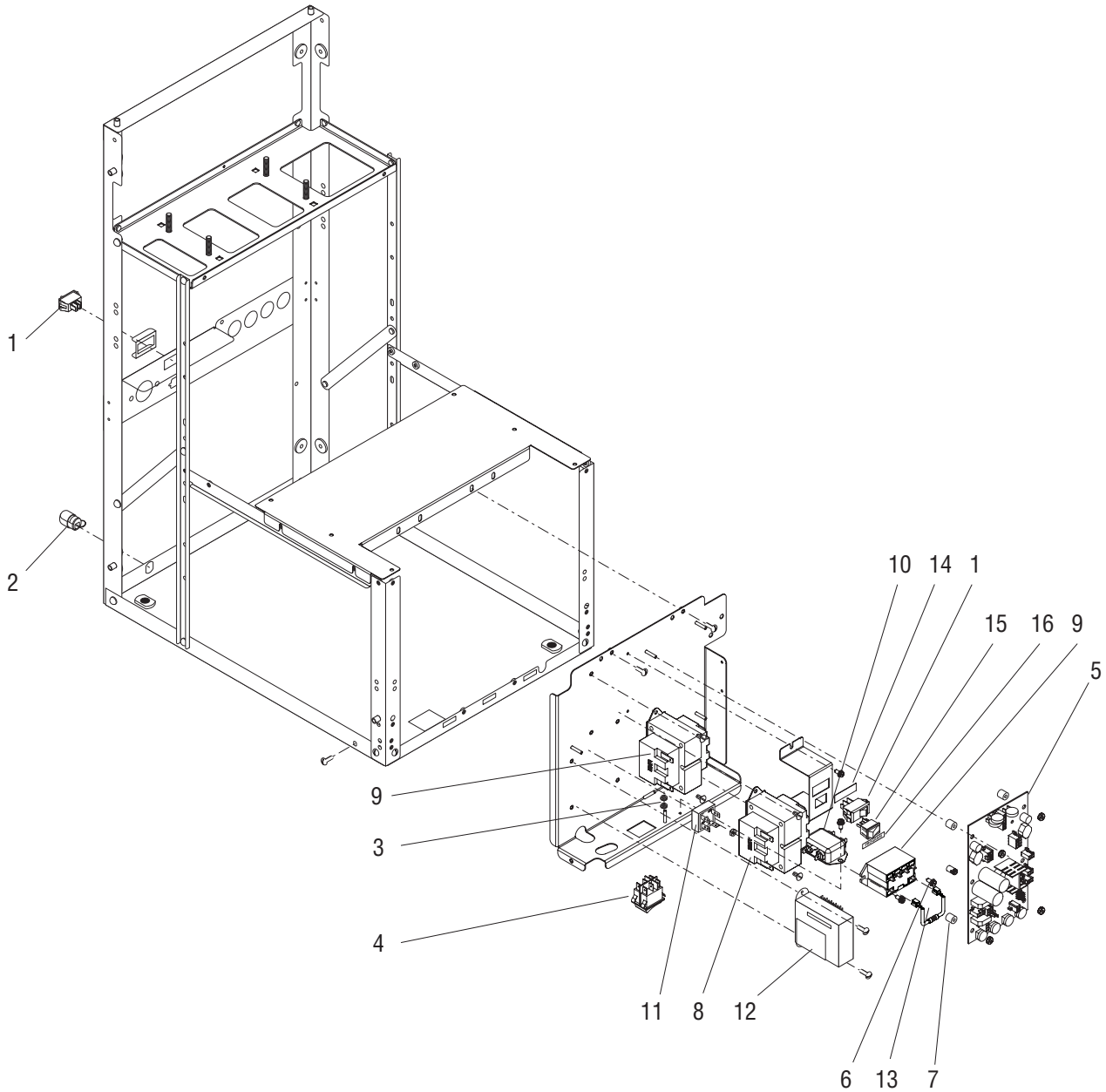
| | | | |
|----|------------|---|------------------------------|
| 22 | M2548.1001 | - | Kit, Krytox Grease - 0.5 Oz. |
|----|------------|---|------------------------------|



ELECTRICAL COMPONENTS

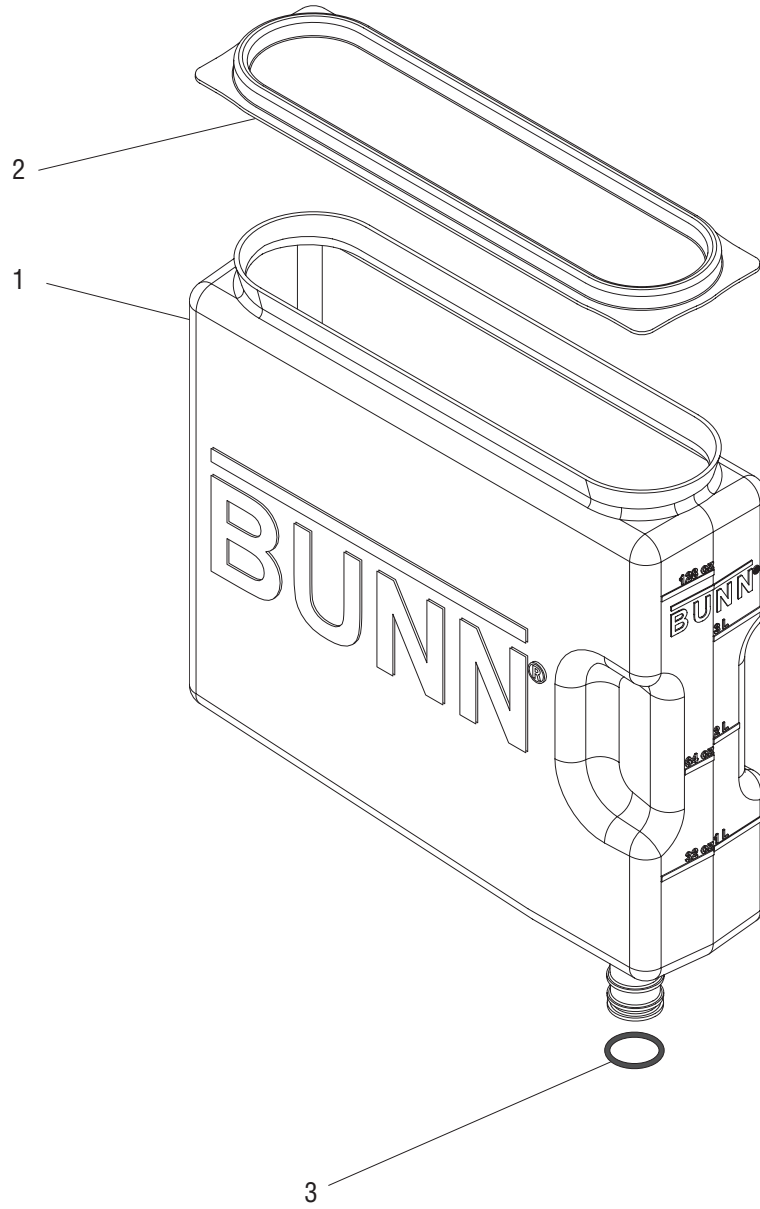
| ITEM | PART NO. | QTY. | DESCRIPTION |
|------|------------|------|---------------------------------------------------------|
| 1 | 04786.0005 | 1 | Switch, Compressor ON/OFF |
| 2 | 00707.0000 | 1 | Bushing, Strain Relief |
| 3 | 00973.0001 | 2 | Nut, Harness Grounding |
| 4 | 52922.0000 | 1 | Switch, Dispense Deck ON/OFF |
| 5 | 40177.1000 | 1 | Circuit Board |
| | 40177.1008 | 1 | CBA, JDF-2S/4S ROHS Tap Handle (Dispenser - Tap Handle) |
| | 00973.0001 | 4 | Nut, Keps #6-32 |
| 6 | 29081.0000 | 2 | Spacer |
| 7 | 01533.0000 | 4 | Spacer |
| 8 | 39305.0000 | 2 | Transformer 120V |
| | 39417.0001 | 2 | Transformer 230V |
| | 02308.0000 | 4 | Screw, Pan Head #8-32 x .38" |
| 9 | 37711.0000 | 1 | Relay 120V |
| | 37711.0001 | 1 | Relay 230V |
| | 02335.0001 | 2 | Screw, Crimptite #8 x .38" |
| 10 | 29446.0000 | 1 | EMI Filter 230V |
| | 02335.0001 | 1 | Screw, Crimptite #8 x .38" |
| 11 | 22126.0000 | 1 | Rectifier (Models w/ Lited Door) |
| | 00973.0001 | 1 | Nut, Keps #6-32 |
| 12 | 28860.0000 | 1 | Transformer 120V (Models w/ Lited Door) |
| | 28860.0001 | 1 | Transformer 230V (Models w/ Lited Door) |
| | 02308.0000 | 2 | Screw, Pan Head #8-32 x .38" |
| 13 | 40770.1000 | 1 | Resistor 230V |
| 14 | 41509.0000 | 1 | Decal, Compressor Switch |
| 15 | 20317.0004 | 1 | Switch, Program |
| 16 | 44240.0000 | 1 | Decal, Program |

T



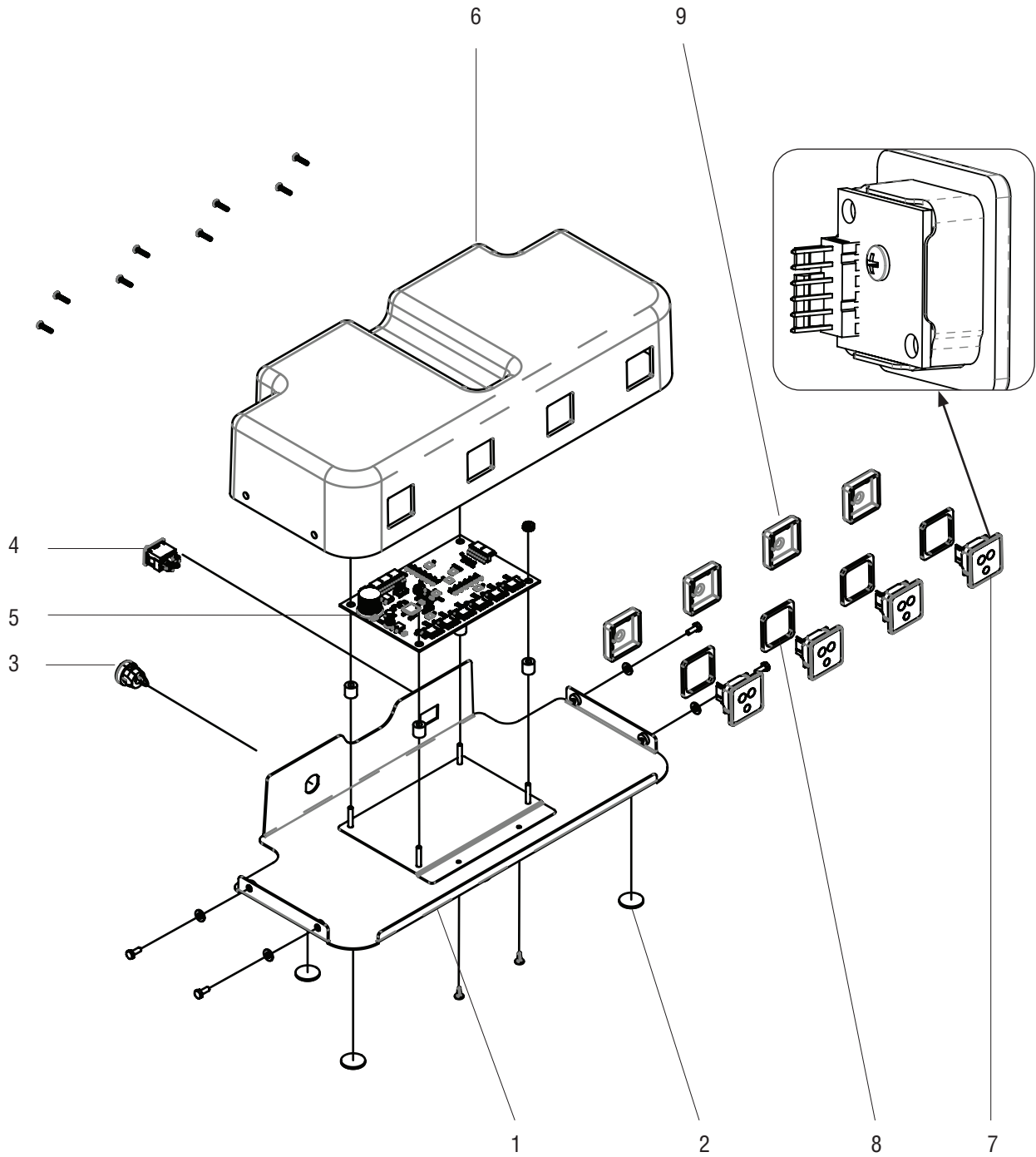
ELECTRICAL COMPONENTS

| ITEM | PART NO. | QTY. | DESCRIPTION |
|-----------------------------------------|------------|------|-------------------------------------------------------------------------|
| The following items are not illustrated | | | |
| 17 | 20630.0015 | 1 | Power Cord 120V |
| | 41091.0000 | 1 | Power Cord 230V |
| 18 | 38870.0000 | 2 | Wiring Harness, Transformer to Circuit Board |
| 19 | 39737.0000 | 1 | Wiring Harness, Main |
| | 39737.0002 | 1 | Wiring Harness, Main (Models with Front Mounted Refrig. Sw.) |
| 20 | 38873.0001 | 2 | Wiring Harness, Platform |
| 21 | 39738.0000 | 1 | Wiring Harness, Unlited Door |
| | 39738.0002 | 1 | Wiring Harness, Unlited Door (Models with Program Sw.) |
| | 40321.0000 | 1 | Wiring Harness, Lited Door (Models with Fluorescent Bulbs) |
| | 41202.0001 | 1 | Wiring Harness, Lited Door (Models with LED Lighting & Portion Control) |
| | 41202.0007 | 1 | Wiring Harness, Lited Door (Models with Program Sw.) |
| | 58878.0000 | 1 | Wiring Harness, Door-PC (Model with LED Lighting & Tap Handles) |
| 22 | 39736.0000 | 1 | Wiring Harness, Transformer to Circuit Board (Lited Doors) |
| 23 | 41203.0000 | 1 | Wiring Harness, Dispense Disable |
| | 41203.0001 | 1 | Wiring Harness, Dispense Disable (Models with Portion Control) |



REFILLABLE CONTAINER ASSEMBLY

| ITEM | PART NO. | QTY. | DESCRIPTION |
|------|------------|------|---------------------------------------|
| 1 | 39302.0000 | 1 | Container Assy (Includes items 2 & 3) |
| 2 | 39299.0000 | 1 | Lid |
| 3 | 34261.0000 | 1 | O-ring |



TOUCHLESS SENSOR TECHNOLOGY KIT

| ITEM | PART NO. | QTY. | DESCRIPTION |
|------|------------|------|--------------------------------------------------------------|
| | 45541.1004 | 1 | KIT, TST 4 VALVE MECH SWITCH |
| | 45541.1006 | 1 | KIT, TST 4 VALVE OVAL OVERLAY |
| 1 | 45540.0004 | 1 | PANEL WLDMT, TST/CBA MTG 4 VALVE |
| 2 | 39443.1003 | 1 | KIT, PAD ADHESIVE BACK .750 X .062 |
| 3 | 00707.0001 | 1 | BUSHING, STRAIN RLF-STR 6L-1 |
| 4 | 04786.0002 | 1 | SWITCH, ON/OFF 125/250V VISI-RED ROCKER |
| 5 | 57669.1000 | 1 | KIT, JDF/NITRON TOUCHLESS INTERFACE CBA |
| | 00973.0000 | 4 | NUT, KEPS 6-32 ZINC PLATE |
| | 01533.0000 | 4 | SPACER,NYL-.171IDx.375ODx.375 |
| 6 | 45538.0002 | 1 | COVER, TST MTG 4 VALVE |
| | 02340.0001 | 4 | SCREW,HEX HD-SST- 8-32x.38 |
| | 01522.0001 | 4 | WASHER, FLAT-.187IDx.375OD SST |
| 7 | 57699.1000 | 4 | KIT, BEZEL ASSY W/OVERLAY/SEAL TST (INCLUDES ITEM 8, 9 & 15) |
| | 38837.0000 | 8 | SCREW, PNH #4 TYPE 25 X .50 (2 SCREWS PER BEZEL ASSY) |
| 8 | 57666.0000 | 4 | SEAL, TST BEZEL |
| 9 | 57559.0000 | 4 | RETAINER, TOUCHLESS SENSOR TECH |

The following items are not illustrated

| | | | |
|----|------------|---|---------------------------------------|
| 10 | 57673.0000 | 1 | WIRING HARNESS, INTERFACE TO MAIN CBA |
| 11 | 57672.0000 | 1 | WIRING HARNESS, SENSOR TO INTERFACE |
| 12 | 57671.0000 | 1 | WIRING HARNESS, SWITCH TO INTERFACE |
| 13 | 57674.0000 | 1 | WIRING HARNESS, Y-ADAPTER AC POWER |
| 14 | 57757.0000 | 1 | DECAL, JDF SPLASH GUARD |
| 15 | 57676.0000 | 4 | OVERLAY, TST BEZEL |
| 16 | 57758.0000 | 4 | OVERLAY, JDF OVAL MEMB SWITCH |
| | 57756.0000 | 4 | OVERLAY, JDF-4S COVER SWITCH MTG HOLE |