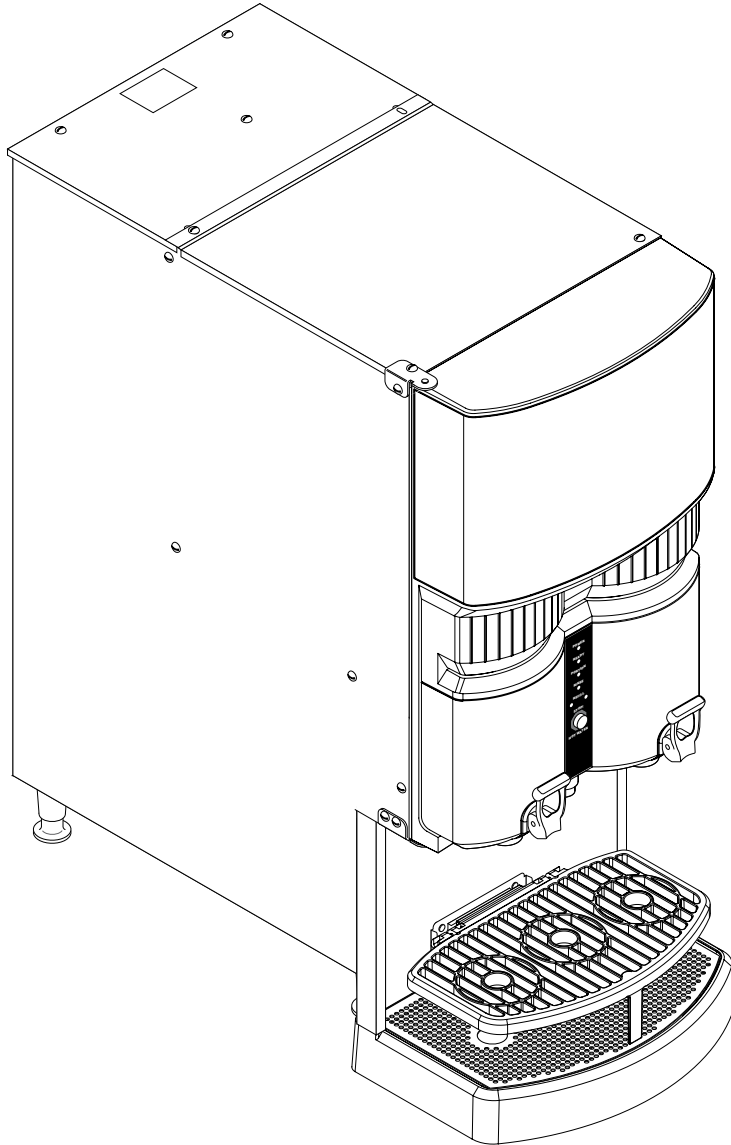

BUNN®

LCA-2 IC



ILLUSTRATED PARTS CATALOG

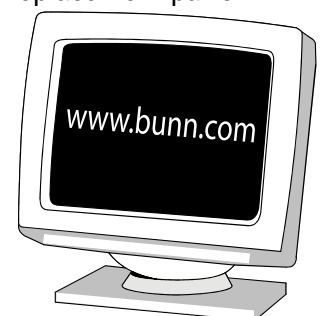
Designs, materials, weights, specifications, and dimensions for equipment or replacement parts are subject to change without notice.

BUNN-O-MATIC CORPORATION

POST OFFICE BOX 3227

SPRINGFIELD, ILLINOIS 62708-3227

PHONE: (217) 529-6601 FAX: (217) 529-6644



BUNN-O-MATIC COMMERCIAL PRODUCT WARRANTY

Bunn-O-Matic Corp. ("BUNN") warrants equipment manufactured by it as follows:

- 1) Airpots, thermal carafes, decanters, GPR servers, iced tea/coffee dispensers, MCP/MCA pod brewers thermal servers and Thermofresh servers (mechanical and digital)- 1 year parts and 1 year labor.
- 2) All other equipment - 2 years parts and 1 year labor plus added warranties as specified below:
 - a) Electronic circuit and/or control boards - parts and labor for 3 years.
 - b) Compressors on refrigeration equipment - 5 years parts and 1 year labor.
 - c) Grinding burrs on coffee grinding equipment to grind coffee to meet original factory screen sieve analysis - parts and labor for 4 years or 40,000 pounds of coffee, whichever comes first.

These warranty periods run from the date of installation BUNN warrants that the equipment manufactured by it will be commercially free of defects in material and workmanship existing at the time of manufacture and appearing within the applicable warranty period. This warranty does not apply to any equipment, component or part that was not manufactured by BUNN or that, in BUNN's judgment, has been affected by misuse, neglect, alteration, improper installation or operation, improper maintenance or repair, non periodic cleaning and descaling, equipment failures related to poor water quality, damage or casualty. In addition, the warranty does not apply to replacement of items subject to normal use including but not limited to user replaceable parts such as seals and gaskets. This warranty is conditioned on the Buyer 1) giving BUNN prompt notice of any claim to be made under this warranty by telephone at (217) 529-6601 or by writing to Post Office Box 3227, Springfield, Illinois 62708-3227; 2) if requested by BUNN, shipping the defective equipment prepaid to an authorized BUNN service location; and 3) receiving prior authorization from BUNN that the defective equipment is under warranty.

THE FOREGOING WARRANTY IS EXCLUSIVE AND IS IN LIEU OF ANY OTHER WARRANTY, WRITTEN OR ORAL, EXPRESS OR IMPLIED, INCLUDING, BUT NOT LIMITED TO, ANY IMPLIED WARRANTY OF EITHER MERCHANTABILITY OR FITNESS FOR A PARTICULAR PURPOSE. The agents, dealers or employees of BUNN are not authorized to make modifications to this warranty or to make additional warranties that are binding on BUNN. Accordingly, statements by such individuals, whether oral or written, do not constitute warranties and should not be relied upon.

If BUNN determines in its sole discretion that the equipment does not conform to the warranty, BUNN, at its exclusive option while the equipment is under warranty, shall either 1) provide at no charge replacement parts and/or labor (during the applicable parts and labor warranty periods specified above) to repair the defective components, provided that this repair is done by a BUNN Authorized Service Representative; or 2) shall replace the equipment or refund the purchase price for the equipment.

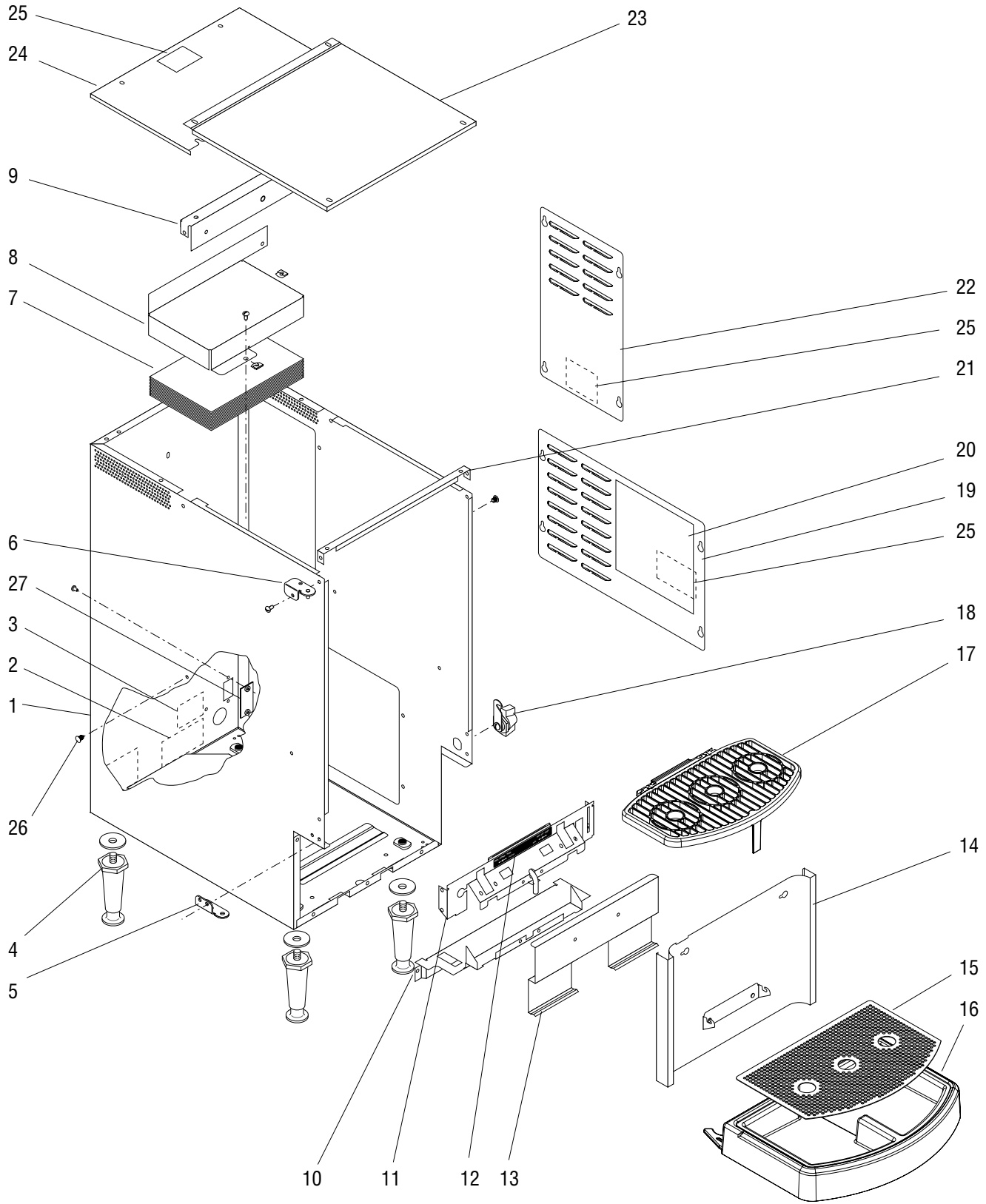
THE BUYER'S REMEDY AGAINST BUNN FOR THE BREACH OF ANY OBLIGATION ARISING OUT OF THE SALE OF THIS EQUIPMENT, WHETHER DERIVED FROM WARRANTY OR OTHERWISE, SHALL BE LIMITED, AT BUNN'S SOLE OPTION AS SPECIFIED HEREIN, TO REPAIR, REPLACEMENT OR REFUND.

In no event shall BUNN be liable for any other damage or loss, including, but not limited to, lost profits, lost sales, loss of use of equipment, claims of Buyer's customers, cost of capital, cost of down time, cost of substitute equipment, facilities or services, or any other special, incidental or consequential damages.

392, AutoPOD, AXIOM, BrewLOGIC, BrewMETER, Brew Better Not Bitter, BrewWISE, BrewWIZARD, BUNN Espresso, BUNN Family Gourmet, BUNN Gourmet, BUNN Pour-O-Matic, BUNN, BUNN with the stylized red line, BUNNlink, Bunn-O-Matic, Bunn-O-Matic, BUNNserve, BUNNSERVE with the stylized wrench design, Cool Froth, DBC, Dr. Brew stylized Dr. design, Dual, Easy Pour, EasyClear, EasyGard, FlavorGard, Gourmet Ice, Gourmet Juice, High Intensity, iMIX, Infusion Series, Intellisteam, My Café, Phase Brew, PowerLogic, Quality Beverage Equipment Worldwide, Respect Earth, Respect Earth with the stylized leaf and coffee cherry design, Safety-Fresh, savemycoffee.com, Scale-Pro, Silver Series, Single, Smart Funnel, Smart Hopper, SmartWAVE, Soft Heat, SplashGard, The Mark of Quality in Beverage Equipment Worldwide, ThermoFresh, Titan, trifacta, Velocity Brew, A Partner You Can Count On, Air Brew, Air Infusion, Beverage Bar Creator, Beverage Profit Calculator, Brew better, not bitter., BUNNSource, Coffee At Its Best, Cyclonic Heating System, Daypart, Digital Brewer Control, Nothing Brews Like a BUNN, Pouring Profits, Signature Series, Tea At Its Best, The Horizontal Red Line, Ultra are either trademarks or registered trademarks of Bunn-O-Matic Corporation.

TABLE OF CONTENTS

TITLE	PAGE NO.
Housing & Panels	4
Door Assembly (Early Models)	8
Door Assembly (Late Models).....	12
Cabinet Assembly	14
Dispense Valves & Inlet Lines	16
Pump Assembly	20
Electrical Controls	22
Numerical Index.....	24



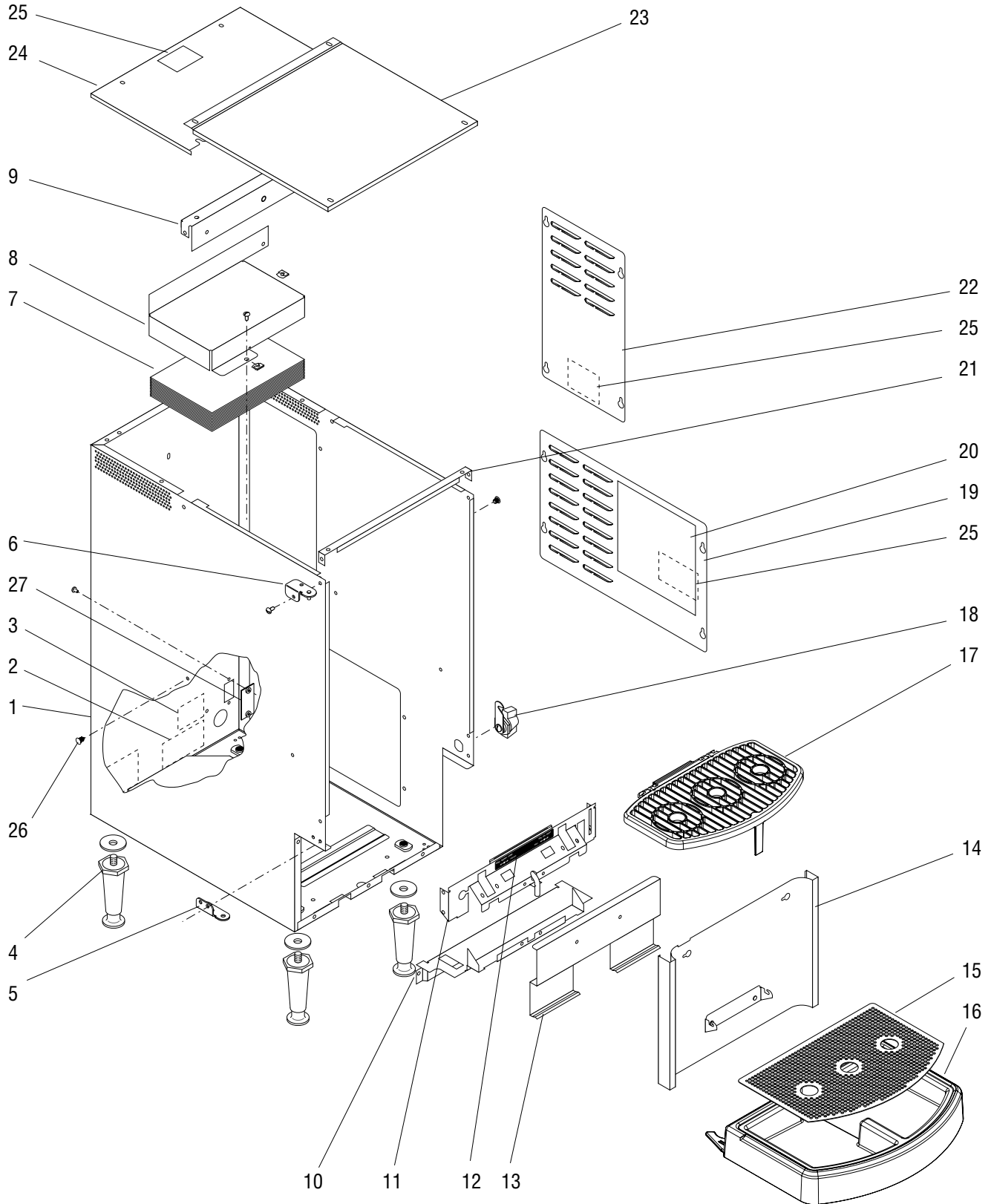
HOUSING & PANELS

ITEM	PART NO.	QTY.	DESCRIPTION
1	35825.0001*	1	Housing Assy BLK Single Piece (Not serviced. Order Decals separately)
	42276.0000*	1	Housing Assy BLK Multi Piece (Not serviced. Order Decals separately)
	01311.0003	29	Screw, Truss Head, Sltd. Blk #8-32 x .25" (Used to join panels & base)
2	00656.0001	1	Decal, Comply to Plumbing Code
3	00986.0002	1	Decal, Warning - Electrical
4	26528.0000	4	Leg 4.0" adj.
	01526.0001	4	Washer, Flat
5	34335.0002	1	Hinge, Lower Door
	01315.0005	2	Screw, Truss Head, Sltd. Blk #8-32 x .38"
6	34385.0003	1	Hinge, Upper Door
	01315.0005	1	Screw, Truss Head, Sltd. Blk #8-32 x .38"
7	38013.0000	30	Plate
8	38022.0000	1	Bracket, Hold Down
	00912.0000	2	Fastener #8-32
	01315.0000	2	Screw, Truss head #8-32 x .38"
	01315.0005	1	Screw, Truss head BLK #8-32 x .38"
	00970.0000	1	Nut, Keps #8-32
9	34169.0002	1	Brace
	02331.0001	2	Screw, Truss Head, Sltd. Blk #10-32 x .38"
10	34152.0003	1	Bracket
	01315.0005	3	Screw, Truss Head, Sltd. Blk #8-32 x .38"
	01382.0000	2	Screw, Truss Head, Sltd. Blk #6-32 x .38"
11	35188.0000	1	Bracket
	01315.0005	4	Screw, Truss Head, Sltd. Blk #8-32 x .38"
12	34783.0000	1	Decal, Dispense Platform
13	34366.0000	1	Bracket (Early Models)
14	39999.1000	1	Splash Panel
	01315.0005	2	Screw, Truss Head, Sltd. Blk #8-32 x .38"
15	34379.0002	1	Cover, Drip Tray (See item 28)
16	38433.0000	1	Drip Tray (See item 28)
17	34821.1000	1	Cup Tray
18	34472.1000	1	Lock, Door (Includes Keys)
	28095.0000	1	Key Set
19	34186.0001*	1	Panel, Lower Access
	01311.0005	4	Screw, Truss Head, Sltd. Blk #8-32 x .38"
20	34641.0002	1	Schematic, Electrical

(Continued)

* Indicates the part number listed is for reference only. See DESCRIPTION for possible service replacement.

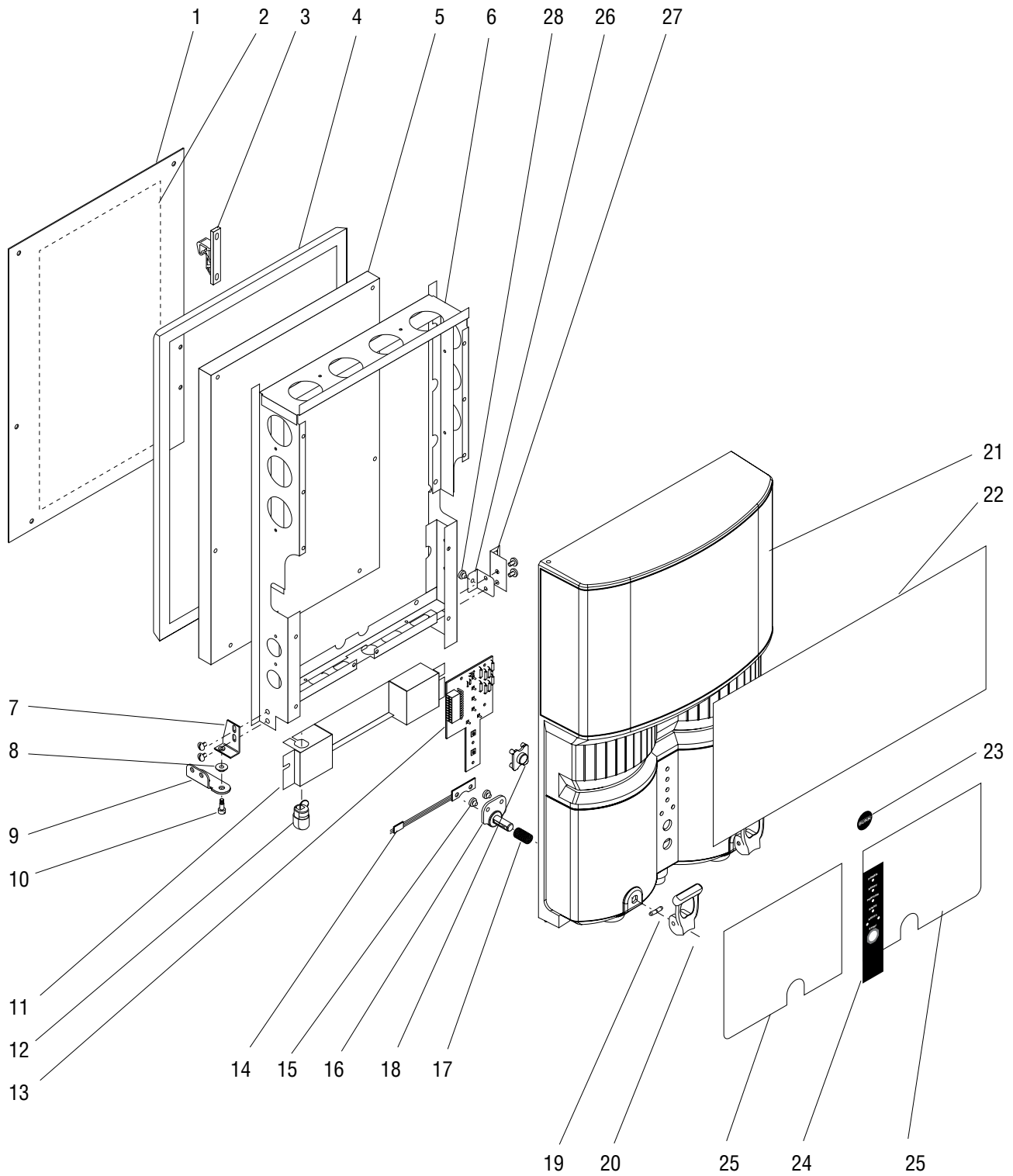
(Continued)



HOUSING & PANELS

ITEM	PART NO.	QTY.	DESCRIPTION
21	34190.0000	1	Brace
	01311.0005	2	Screw, Truss Head, Sltd. Blk #8-32 x .38"
22	34194.1001	1	Panel w/Decal, Upper Access (Includes item 25)
	01311.0005	4	Screw, Truss Head, Sltd. Blk #8-32 x .38"
23	34165.0003	1	Cover, Top/Front
	02331.0001	2	Screw, Truss Head, Sltd. Blk #10-32 x .38"
	01315.0005	2	Screw, Truss Head, Sltd. Blk #8-32 x .38"
24	34189.1001	1	Cover w/Decal, Top/Rear (Includes item 25)
	01315.0005	2	Screw, Truss Head, Sltd. Blk #8-32 x .38"
25	37881.0000	3	Decal, No Serviceable Parts
26	36149.0000	2	Fastener
27	38820.0000	1	Plate, Cover
	01308.0003	2	Screw, Truss Head, Locking Blk #6-32 x .25"
28	34893.0001	-	Drip Tray Kit (Includes items 15 & 16)

* Indicates the part number listed is for reference only. See DESCRIPTION for possible service replacement.



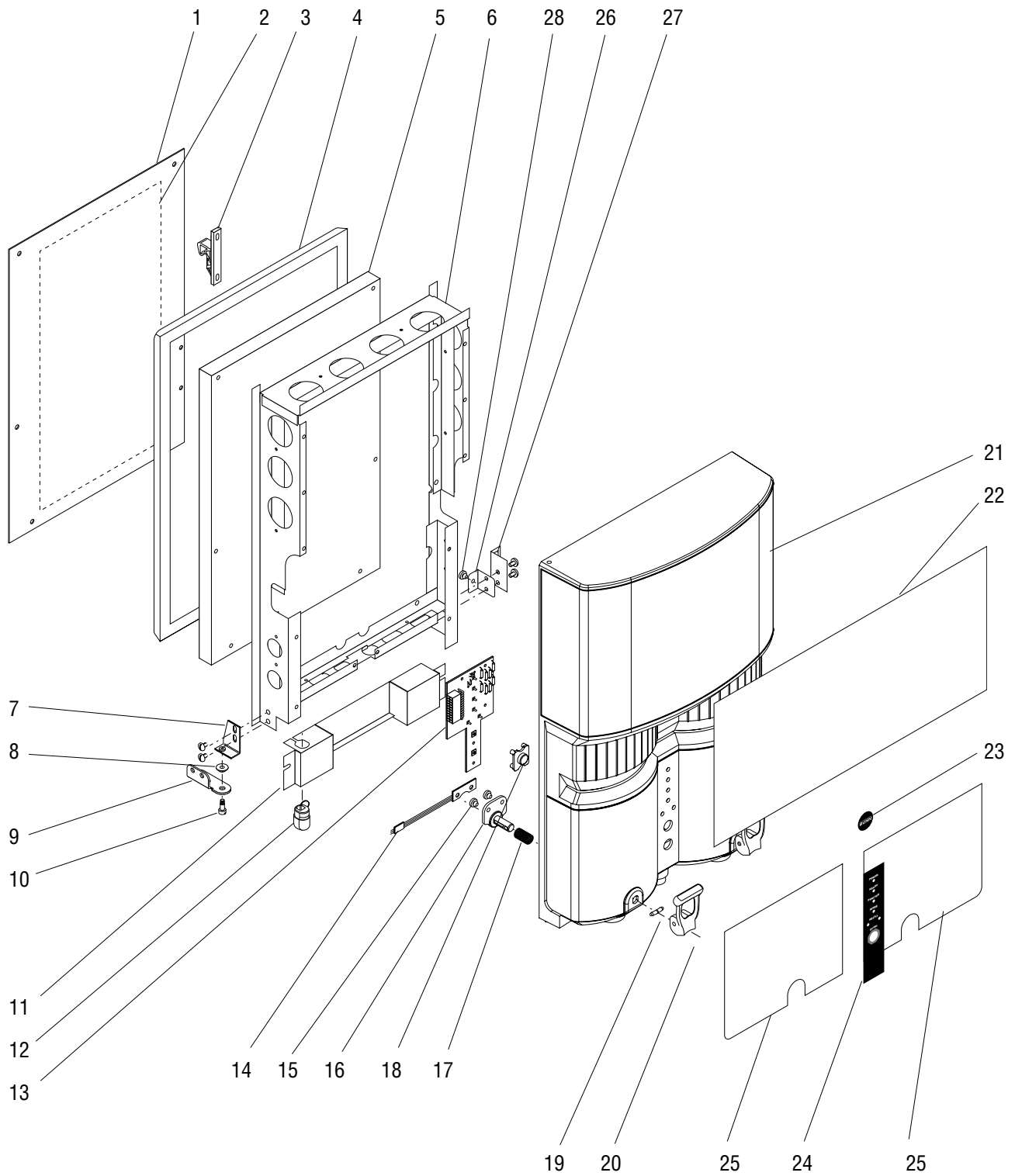
DOOR ASSEMBLY (Early Models)

ITEM	PART NO.	QTY.	DESCRIPTION
-	34284.0014	1	Door Assembly (Includes items 6,7,10,13,14,18 & 21 thru 25)
1	34531.1000	1	Plate w/Decal (Includes item 2)
	01322.0001	6	Screw, Round Head Sltd. #8-32 x 1.25"
2	34809.0001	1	Decal, Maintenance
3	34667.0000	1	Keeper, Door Latch
	01382.0000	2	Screw, Truss Head Sltd. #6-32 x .38"
4	34150.0000	1	Seal, Product Cabinet
5	34473.0000	1	Insulation, Door
6	34361.0000*	1	Frame, Door (Not Serviced)
7	34334.0000	1	Bracket
	01311.0000	2	Screw, Truss Head Sltd. #8-32 x .25"
8	34362.0000	1	Bushing, Lower Hinge
9	-----	1	Lower Door Hinge (See HOUSINGS & PANELS)
10	29504.0004	1	Shoulder Screw #8-32
11	34527.0000	1	Panel
	38044.0000	2	Screw, Pan Head #6 48-2
12	26444.0000	1	Bushing, Strain Relief
13	38735.1000	1	Circuit Board, LED
	38044.0000	2	Screw, Pan Head #6 48-2
14	33039.0001	2	Switch, Membrane
15	34340.1000	1	Button Kit (Includes two buttons)
16	34341.1000	2	Stem, Handle
17	34742.0000	2	Spring
18	34387.0002	1	Cover, Switch
19	01219.0000	2	Pin, Faucet Handle
20	33434.1000	1	Handle, Black
	33434.1002	1	Handle, Orange
			} Includes item 19
21	34283.0001*	1	Door Front (Not serviced separately)
	38044.0000	13	Screw, Pan Head #6 48-2
22	34708.0008	1	Decal, Upper Door Wrap
23	00778.0000	1	Decal, BUNN
24	34711.0001	1	Decal, LED Display

(Continued)

* Indicates the part number listed is for reference only. See DESCRIPTION for possible service replacement.

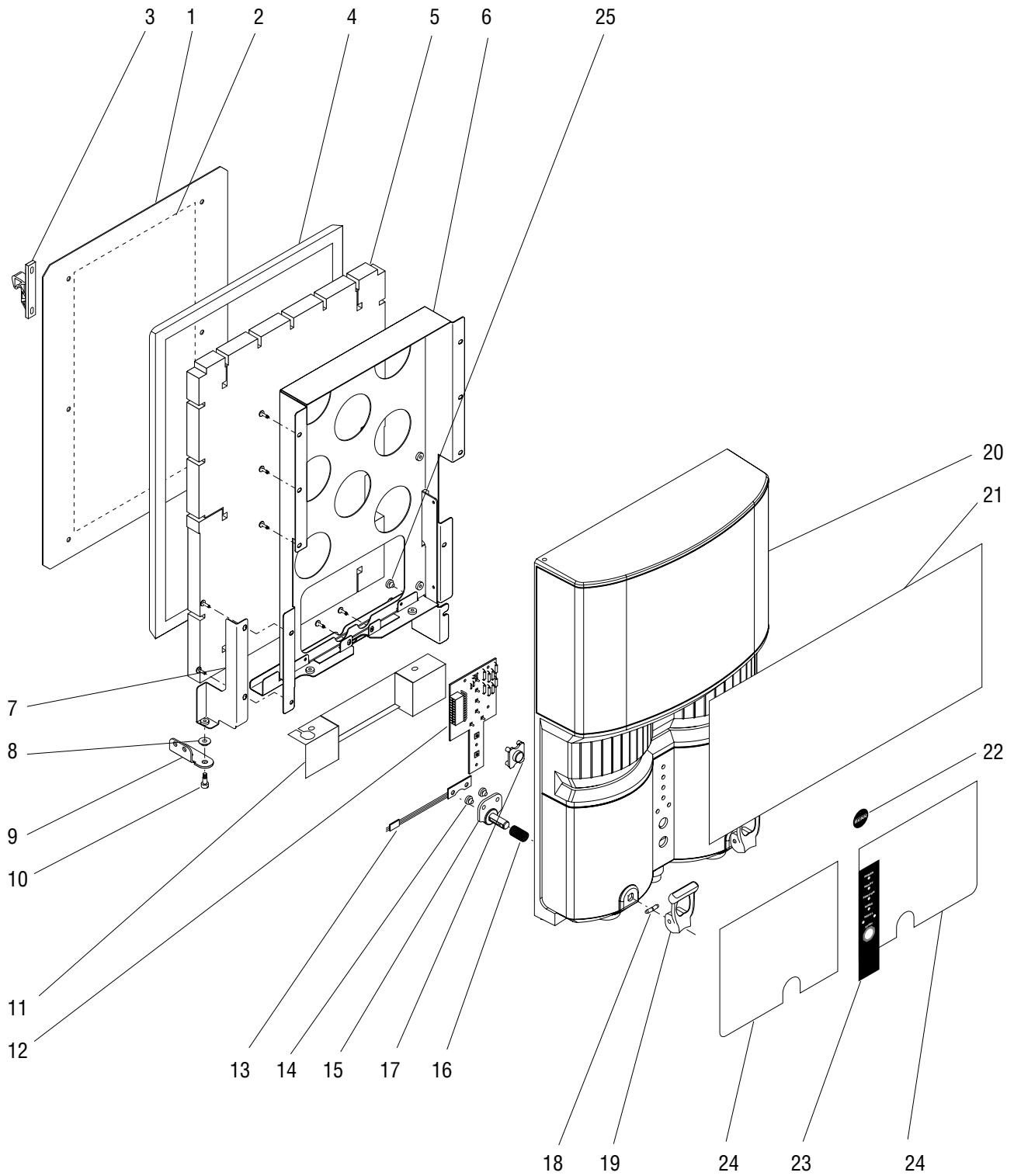
(Continued)



DOOR ASSEMBLY (Early Models)

ITEM	PART NO.	QTY.	DESCRIPTION
25	34709.0000	1	Decal, Left Faux Server
	34710.0000	1	Decal, Right Faux Server
26	35087.0000	1	Bracket, Switch
	01311.0000	2	Screw, Truss Head Sltd. #8-32 x .25"
27	36012.0000	1	Bracket, Latch
28	34340.0000*	1	Button

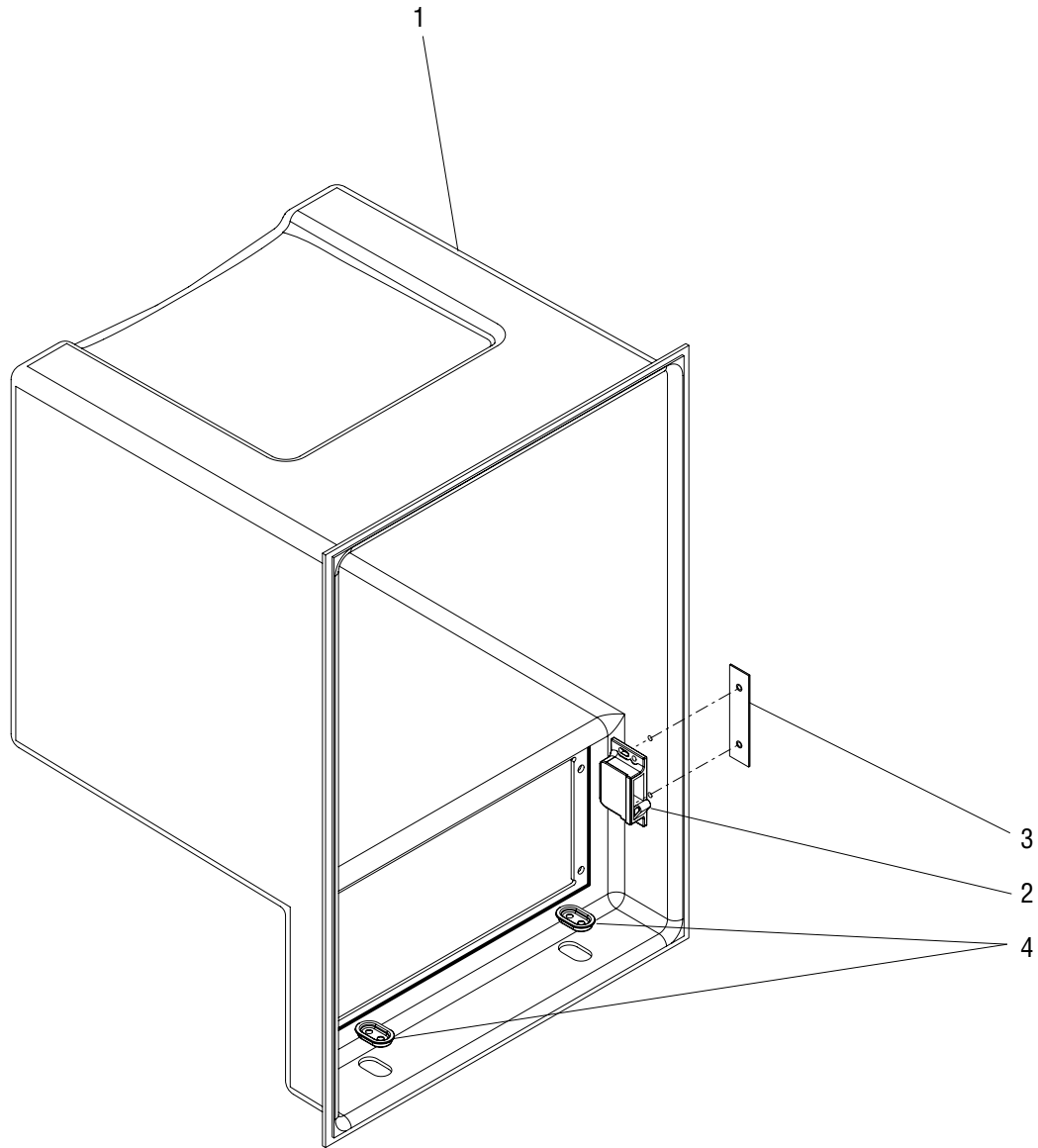
* Indicates the part number listed is for reference only. See DESCRIPTION for possible service replacement.



DOOR ASSEMBLY (Late Models)

ITEM	PART NO.	QTY.	DESCRIPTION
-	41925.0014	1	Door Assembly (Includes items 6,7,10,13,14,18 & 21 thru 25)
1	40095.1000	1	Plate w/Decal (Includes item 2)
	01322.0001	6	Screw, Round Head Sltd. #8-32 x 1.25"
2	34809.0001	1	Decal, Maintenance
3	34667.0001	1	Keeper, Door Latch
	01382.0000	2	Screw, Truss Head Sltd. #6-32 x .38"
4	41512.0000	1	Seal, Product Cabinet
5	40092.0000	1	Insulation, Door
6	40087.0000*	1	Frame, Door (Not Serviced)
7	40091.0000	1	Bracket
	01311.0000	2	Screw, Truss Head Sltd. #8-32 x .25"
8	34362.0000	1	Bushing, Lower Hinge
9	-----	1	Lower Door Hinge (See HOUSINGS & PANELS)
10	29504.0004	1	Shoulder Screw #8-32
11	40094.0000	1	Panel
	01311.0000	2	Screw, Truss Head Sltd. #8-32 x .25"
12	38735.1000	1	Circuit Board, LED
	38044.0000	2	Screw, Pan Head #6 48-2
13	33039.0001	2	Switch, Membrane
14	34340.1000	1	Button Kit (Includes two buttons)
15	34341.1000	2	Stem, Handle
16	34742.0000	2	Spring
17	34387.0002	1	Cover, Switch
18	01219.0000	2	Pin, Faucet Handle
19	33434.1000	1	Handle, Black
	33434.1002	1	Handle, Orange
20	34283.0001*	1	Door Front (Not serviced separately)
	38044.0000	13	Screw, Pan Head #6 48-2
21	34708.0008	1	Decal, Upper Door Wrap
22	00778.0000	1	Decal, BUNN
23	34711.0001	1	Decal, LED Display
24	34709.0000	1	Decal, Left Faux Server
	34710.0000	1	Decal, Right Faux Server
25	34340.0000*	1	Button

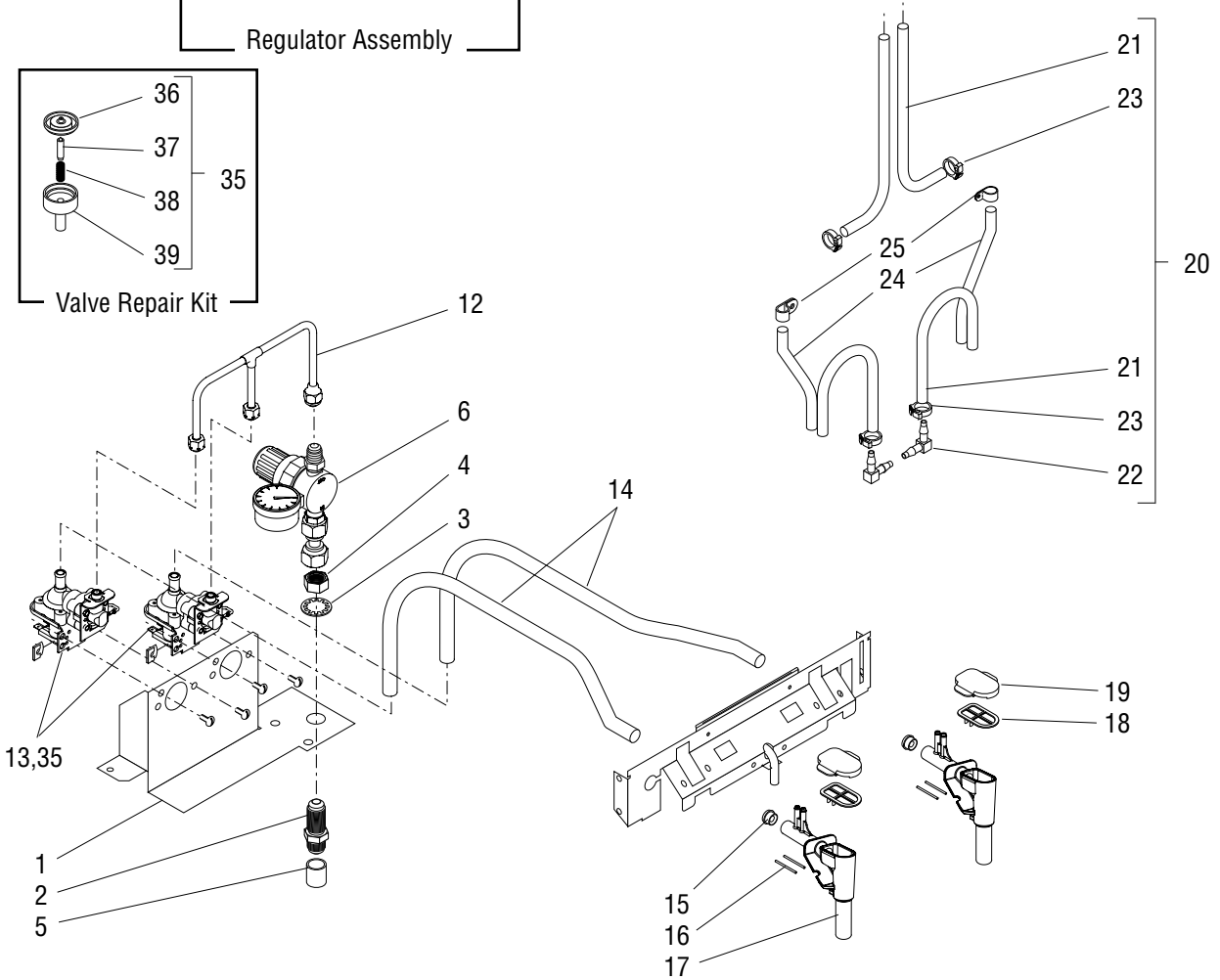
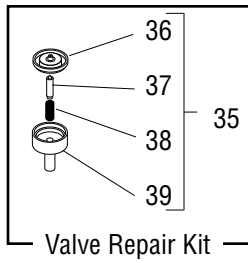
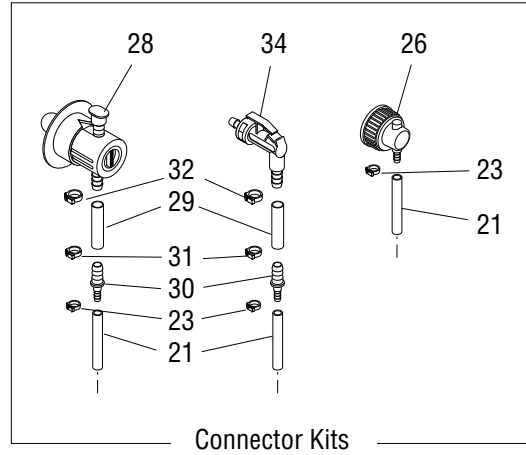
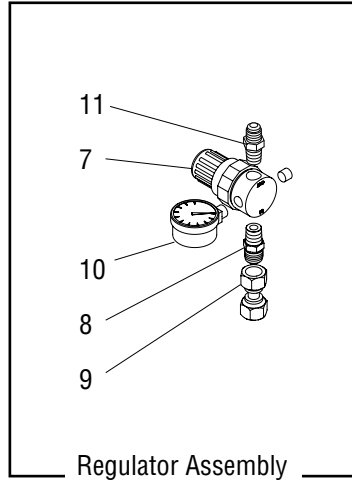
* Indicates the part number listed is for reference only. See DESCRIPTION for possible service replacement.



CABINET ASSEMBLY

ITEM	PART NO.	QTY.	DESCRIPTION
1	34185.0001	1	Cabinet
2	34666.0001	1	Catch, Door Latch (10 lb. pull)
	02336.0000	2	Screw, Truss Head Sltd. #4-40 x .38"
	01509.0001	2	Lockwasher, Int.-tooth #4
3	34533.0000	1	Plate, Latch
4	34702.0000	2	Grommet

* Indicates the part number listed is for reference only. See DESCRIPTION for possible service replacement.



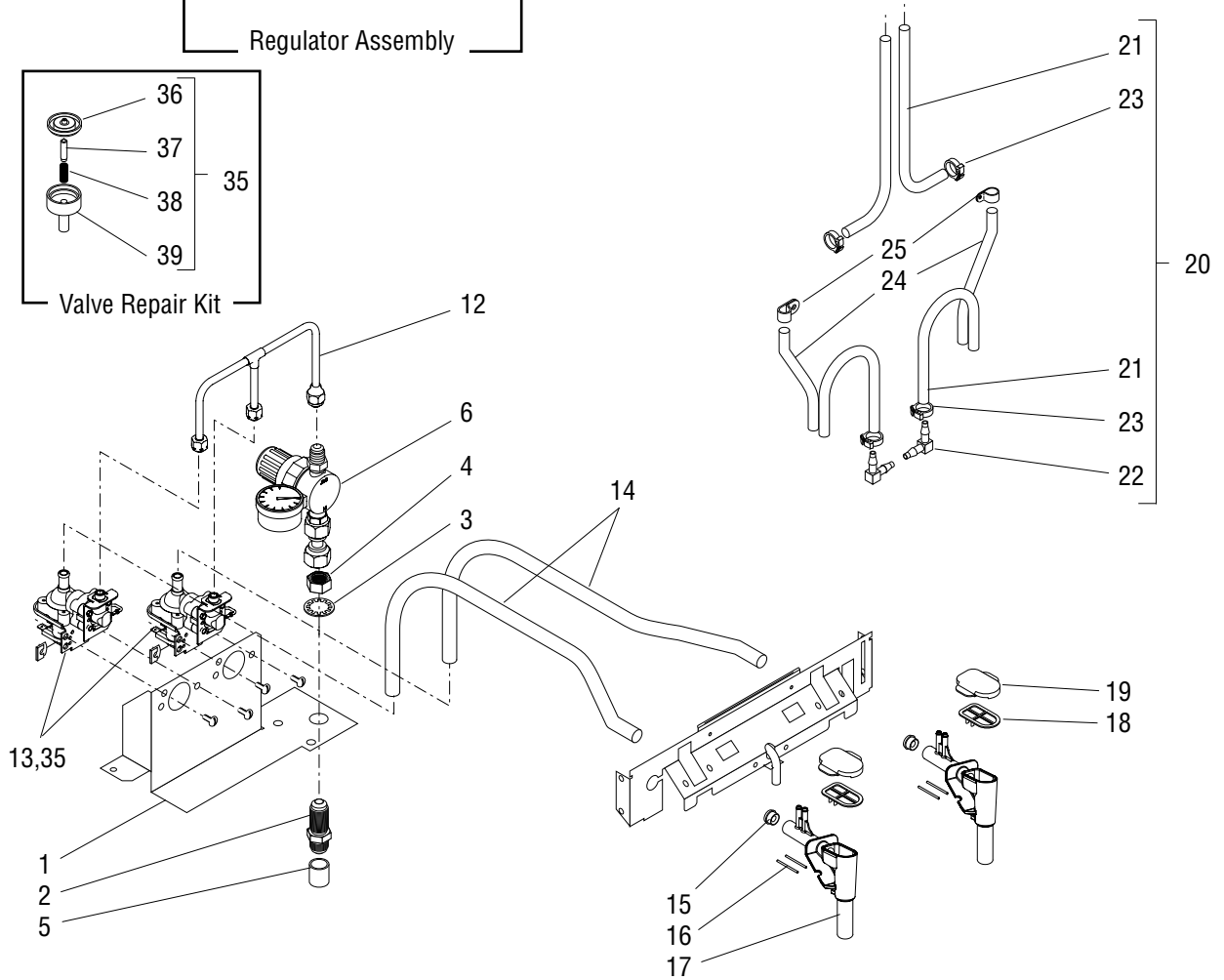
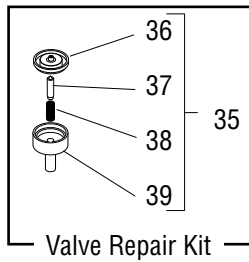
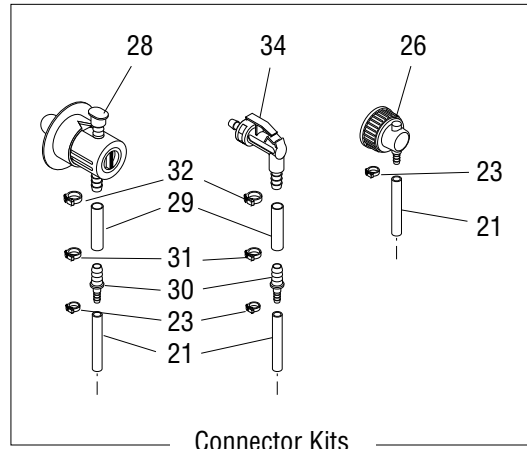
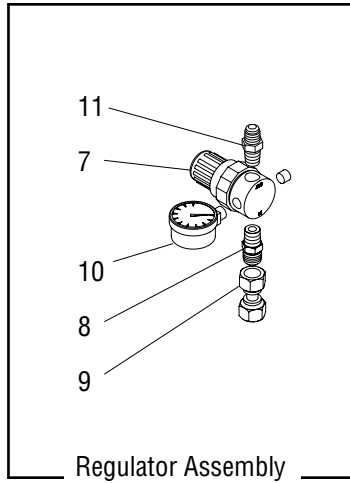
DISPENSE VALVES & LINES

ITEM	PART NO.	QTY.	DESCRIPTION
1	38012.0000	1	Bracket, Water Inlet
	01326.0000	2	Screw, Truss Head #10-32 x .25"
2	12756.0000	1	Fitting, Bulkhead .625-18 x .38" Flare
3	01514.0000	1	Lockwasher, Internal Tooth .625"
4	12757.0000	1	Nut, Hex .625-18
5	12919.0001	1	Cap
6	38024.0000*	1	Regulator Assy, Water (Order items 7 - 12)
7	-----	1	Regulator, Water (Brass)(Order Plastic Regulator)
	21993.0002	1	Regulator, Water (Plastic)
8	00510.0000	1	Connector, Male .38" Flare x .25" MPT
9	35840.0000	1	Connector .38" x .38" Flare
10	37898.0000	1	Gauge, pressure
11	00423.0000	1	Connector .25" FI x .25" MPT
12	38410.0000	1	Tube, Regulator to Valves
13	28750.0004	2	Valve, Inlet (Includes item 35)
	01315.0000	4	Screw, Truss Head #8-32 x .38"
	00912.0000	4	Fastener
14	20976.0023*	2	Tube, Silicone .375" ID x .625" OD x 13.38" lg
15	34807.0000	2	Flow Restrictor (Optional for 1.8 oz/sec. flow rate)
16	34689.0000*	4	Pin
17	34346.1000	2	Mixing Chamber Assy (Includes items 16, 18 & 19)
	01315.0000	4	Screw, Truss Head Sltd. #8-32 x .38"
18	34198.0000*	2	Lid
19	34384.0000*	2	Snap Cap
20	34727.1000	2	Hose Assy .187" ID (Incl. items 21 - 33)
	34727.1001	2	Hose Assy .187" ID x 14.0" Feed End (Incl. items 21 - 33)
	34728.1000	2	Hose Assy .125" ID (Incl. items 21 - 33)
21	-----	4	Hose .187" ID x 9.0" } Also order item 20
	-----	2	Hose .187" ID x 14.0" }
	-----	4	Hose .125" ID x 9.0" }
22	34714.0000	2	Elbow (.187" ID Hose Assy)
	34715.0000	2	Elbow (.125" ID Hose Assy)
23	12422.0011	4	Clamp .40/.45" ID (.187" ID Hose Assy)
	12422.0007	4	Clamp .31/.34" ID (.125" ID Hose Assy)
24	34726.0001*	2	Hose .125" I.D. x 6.0" (Order item 49)

(Continued)

* Indicates the part number listed is for reference only. See DESCRIPTION for possible service replacement.

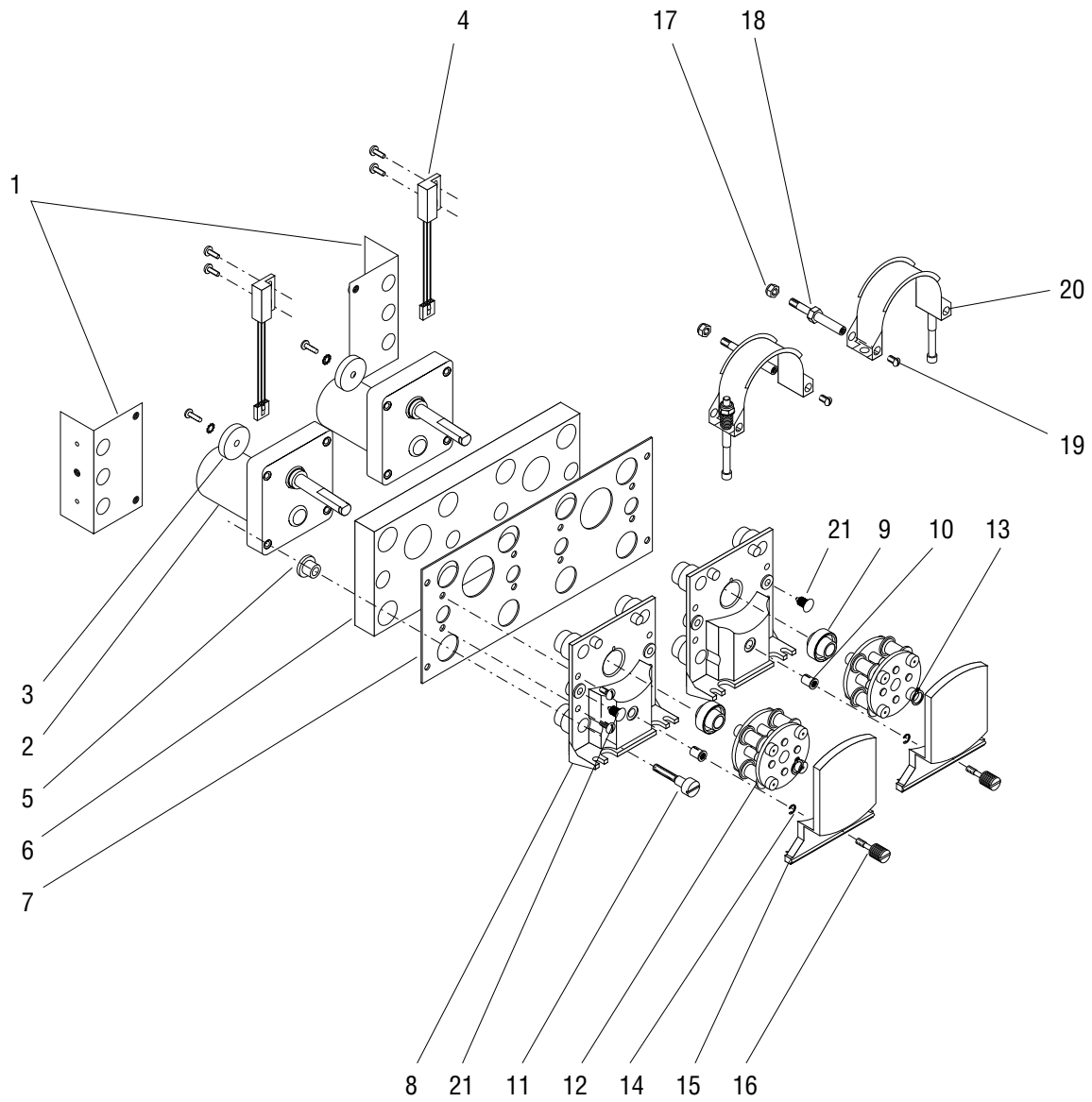
(Continued)



DISPENSE VALVES & LINES

ITEM	PART NO.	QTY.	DESCRIPTION
25	05920.0000	2	Clip
26	35057.0000	2	Connector .187"
	35057.0001	2	Connector .25"
27	35055.0000	2	Adapter Kit (Includes items 28 - 32)
28	33160.0000	2	Connector
29	11707.0029*	2	Hose, Silicone .25" I.D. x 1.75" (Order item 50)
30	35053.0000	2	Coupling, Reducing
31	12422.0000	2	Clamp .47/.54" I.D.
32	12422.0006	2	Clamp .53/.59" I.D.
33	35056.0000	2	Adapter Kit (Includes items 29,30,31 & 34)
34	35054.0000	2	Connector
35	39975.0000	-	Repair Kit, Inlet Valve (Includes items 36 - 39)
36	39975.0004	1	Diaphragm
37	39975.0003	1	Plunger
38	39975.0002	1	Spring
39	39975.0001	1	Guide
Items 40 through 50 are Not Illustrated			
40	34400.0200	-	Adapter Kit (Incl. items 20,23, 26 & 48)(Uses .125" I.D. Hose & Clamps)
41	34400.0201	-	Adapter Kit (Incl. items 20,23, 26 & 48)(Uses .188" I.D. Hose & Clamps)
42	34400.0202	-	Adapter Kit (Incl. items 20,23, 27 & 48)(Uses .125" I.D. Hose & Clamps)
43	34400.0203	-	Adapter Kit (Incl. items 20,23, 27 & 48)(Uses .188" I.D. Hose & Clamps)
44	34400.0204	-	Adapter Kit (Incl.items 20,23, 33 & 48)(Uses .125" I.D. Hose & Clamps)
45	34400.0205	-	Adapter Kit (Incl. items 20,23, 33 & 48)(Uses .188" I.D. Hose & Clamps)
46	34400.0208	-	Adapter Kit, 14.0" Feed End (Incl. items 20,23, 26 & 48)(Uses .188" I.D. Hose & Clamps)
47	28526.1000	-	Tube, Silicone .313" ID x 12.0" (Use as required)
	28526.1001	-	Tube, Silicone .313" ID x 36.0" (Use as required)
	28526.1002	-	Tube, Silicone .313" ID x 60.0" (Use as required)
48	M2531.0001	-	Lube Compound .30 oz.
49	34726.1000	-	Hose .125" I.D. x 10.0" (Use as required)
50	11707.1000	-	Tube, Silicone .25" ID x 12.0" (Use as required)
	11707.1001	-	Tube, Silicone .25" ID x 36.0" (Use as required)
	11707.1002	-	Tube, Silicone .25" ID x 120.0" (Use as required)

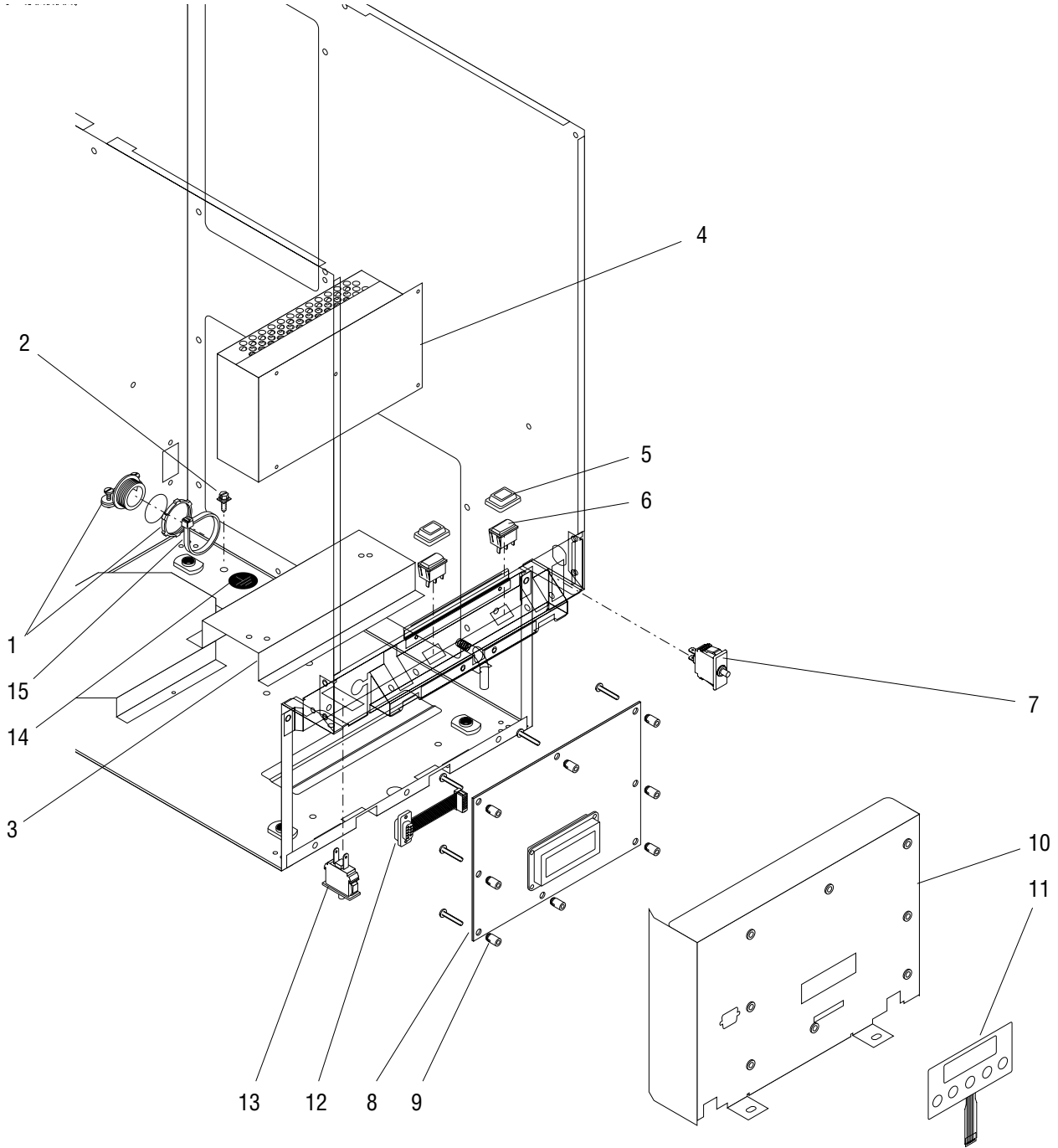
* Indicates the part number listed is for reference only. See DESCRIPTION for possible service replacement.



PUMP ASSEMBLY

ITEM	PART NO.	QTY.	DESCRIPTION
-	34682.1000	-	Pump Assembly (Includes items 2 thru 22)
1	34979.0001*	1	Bracket, Pump Mounting
	01311.0003	2	Screw, Truss Head Sltd. Blk #8-32 x .25"
2	34536.0001	2	Motor
3	32654.0000	2	Magnet Hub
	01512.0000	2	Lockwasher, Ext.-tooth #10
	01331.0004	2	Screw, Round Head Sltd. Locking #10-32 x .50"
4	33608.1000	2	RPM Sensor
	02336.0000	4	Screw, Truss Head Sltd. #4-40 x .38"
5	32957.0000	8	Bushing, Rubber
6	34748.0000	1	Insulation
7	34193.0000	1	Bracket, Pump Mounting
	01317.0000	4	Screw, Truss Head Sltd. #8-32 x .50"
8	34166.0002	2	Block
	02328.0003	8	Screw, Pan Head Sltd. #6-32 x .312"
9	33825.0000	2	Bearing
10	32928.0000	2	Insert, Threaded #10-32
11	32927.0000	8	Shoulder Bolt #10-32
12	32706.1000	2	Rotor
13	32652.0000	2	Ring, Retaining
14	34998.0000	2	E-ring
15	34167.0000	2	Cover
16	34997.0000	2	Thumb Screw #10-32 x .625"
17	34765.0000	2	Nut, Flanged #10-32
18	32609.0000	2	Standoff
19	01311.0001	2	Screw, Truss Head Sltd. Locking #8-32 x .25"
20	40030.1000	2	Compression Band Assy.
21	36149.0000	2	Fastener, Snap in
22	00617.0000	1	Cable Tie (Not Illustrated)

* Indicates the part number listed is for reference only. See DESCRIPTION for possible service replacement.



ELECTRICAL CONTROLS

ITEM	PART NO.	QTY.	DESCRIPTION
1	01590.0000	1	Cable Connector
2	01309.0000	1	Screw, Grounding #10-32 x .50"
3	34345.0001	1	Bracket
	01311.0000	1	Screw, Truss Head Sltd. #8-32 x .25"
4	33363.0001	1	Power Supply
	24003.0201	3	Screw, M3 x 4mm
	01311.0000	1	Screw, Truss Head Sltd. SST #8-32 x .25"
5	34390.0000	2	Cap, Rocker Switch
6	27437.0001	2	Switch, Selector
7	34386.0000	1	Switch, Door Open
8	34197.1003	1	Circuit Board, Control
	38123.0000	8	Screw, Truss Head. #6-32 x 1.00"
9	29081.0003	8	Spacer
10	38492.0000	1	Bracket
	01311.0000	2	Screw, Truss Head Sltd. #8-32 x .25"
11	34205.1000	1	Membrane Switch
12	34393.0000	1	Cable, Ribbon
	02327.0002	2	Screw, Pan Head Sltd. Locking #4-40 x .312"
13	34386.0000	1	Switch, Dispense Volume Memory
14	00824.0002	1	Decal, Ground
15	36329.0002	1	Cable Tie, Power Cord Retainer

The following items are not illustrated

16	20630.0008	1	Power Cord
17	38103.0000	1	Harness, Main Wiring
18	34523.0000	1	Harness, Pump Motors Wiring
19	36049.0004	1	Jumper
20	37518.0000	1	Harness, Door Wiring

* Indicates the part number listed is for reference only. See DESCRIPTION for possible service replacement.

NUMERICAL INDEX

PART NO.	PAGE NO.	PART NO.	PAGE NO.	PART NO.	PAGE NO.	PART NO.	PAGE NO.
00423.0000.....	17	29081.0003.....	23	34400.0205.....	19	38012.0000.....	17
00510.0000.....	17	29504.0004.....	9,13	34400.0208.....	19	38013.0000.....	5
00617.0000.....	21	32609.0000.....	21	34472.1000.....	5	38022.0000.....	5
00656.0001.....	5	32652.0000.....	21	34473.0000.....	9	38024.0000.....	17
00778.0000.....	9,13	32654.0000.....	21	34523.0000.....	23	38044.0000.....	9,13
00824.0002.....	23	32706.1000.....	21	34527.0000.....	9	38103.0000.....	23
00912.0000.....	5,17	32927.0000.....	21	34531.1000.....	9	38123.0000.....	23
00970.0000.....	5	32928.0000.....	21	34533.0000.....	15	38410.0000.....	17
00986.0002.....	5	32957.0000.....	21	34536.0001.....	21	38433.0000.....	5
01219.0000.....	9,13	33039.0001.....	9,13	34641.0002.....	5	38492.0000.....	23
01308.0003.....	7	33160.0000.....	19	34666.0001.....	15	38735.1000.....	9,13
01309.0000.....	23	33363.0001.....	23	34667.0000.....	9	38820.0000.....	7
01311.0000.....	9,11,13,23	33434.1000.....	9,13	34667.0001.....	13	39975.0000.....	19
01311.0001.....	21	33434.1002.....	9,13	34682.1000.....	21	39975.0001.....	19
01311.0003.....	5,7,13,21	33608.1000.....	21	34689.0000.....	17	39975.0002.....	19
01315.0000.....	5,17	33825.0000.....	21	34702.0000.....	15	39975.0003.....	19
01315.0005.....	5,7	34150.0000.....	9	34708.0008.....	9,13	39975.0004.....	19
01317.0000.....	21	34152.0003.....	5	34709.0000.....	11,13	39999.1000.....	5
01322.0001.....	9,13	34165.0003.....	7	34710.0000.....	11,13	40030.1000.....	21
01326.0000.....	17	34166.0002.....	21	34711.0001.....	9,13	40087.0000.....	13
01331.0004.....	21	34167.0000.....	21	34714.0000.....	17	40091.0000.....	13
01382.0000.....	5,9,13	34169.0002.....	5	34715.0000.....	17	40092.0000.....	13
01509.0001.....	15	34185.0001.....	15	34726.0001.....	17	40094.0000.....	13
01512.0000.....	21	34186.0001.....	5	34726.1000.....	19	40095.1000.....	13
01514.0000.....	17	34189.1001.....	7	34727.1000.....	17	41512.0000.....	13
01526.0001.....	5	34190.0000.....	7	34727.1001.....	17	41925.0014.....	13
01590.0000.....	23	34193.0000.....	21	34728.1000.....	17	42276.0000.....	5
02327.0002.....	23	34194.1001.....	7	34742.0000.....	9,13	M2531.0001.....	19
02328.0003.....	21	34197.1003.....	23	34748.0000.....	21		
02331.0001.....	5,7	34198.0000.....	17	34765.0000.....	21		
02336.0000.....	15,21	34205.1000.....	23	34783.0000.....	5		
05920.0000.....	19	34283.0001.....	9,13	34807.0000.....	17		
11707.0029.....	19	34284.0014.....	9	34809.0001.....	9,13		
11707.1000.....	19	34334.0000.....	9	34821.1000.....	5		
11707.1001.....	19	34335.0002.....	5	34893.0001.....	7		
11707.1002.....	19	34340.0000.....	11,13	34979.0001.....	21		
12422.0000.....	19	34340.1000.....	9,13	34997.0000.....	21		
12422.0006.....	19	34341.1000.....	9,13	34998.0000.....	21		
12422.0007.....	17	34345.0001.....	23	35053.0000.....	19		
12422.0011.....	17	34346.1000.....	17	35054.0000.....	19		
12756.0000.....	17	34361.0000.....	9	35055.0000.....	19		
12757.0000.....	17	34362.0000.....	9,13	35056.0000.....	19		
12919.0001.....	17	34366.0000.....	5	35057.0000.....	19		
20630.0008.....	23	34379.0002.....	5	35057.0001.....	19		
20976.0023.....	17	34384.0000.....	17	35087.0000.....	11		
21993.0002.....	17	34385.0003.....	5	35188.0000.....	5		
24003.0201.....	23	34386.0000.....	23	35825.0001.....	5		
26444.0000.....	9	34387.0002.....	9,13	35840.0000.....	17		
26528.0000.....	5	34390.0000.....	23	36012.0000.....	11		
27437.0001.....	23	34393.0000.....	23	36049.0004.....	23		
28095.0000.....	5	34400.0200.....	19	36149.0000.....	7,21		
28526.1000.....	19	34400.0201.....	19	36329.0002.....	23		
28526.1001.....	19	34400.0202.....	19	37518.0000.....	23		
28526.1002.....	19	34400.0203.....	19	37881.0000.....	7		
28750.0004.....	17	34400.0204.....	19	37898.0000.....	17		