



**MCA/MCAA  
MCP/MCPA  
(My Café®)**

**DISTRIBUTION LIMITED TO FACTORY  
TRAINED TECHNICIANS IN USA ONLY**



**Model MCA**

**AUTOMATIC**



**Model MCP**

**POUR IN**

# ILLUSTRATED PARTS CATALOG

Designs, materials, weights, specifications, and dimensions for equipment or replacement parts are subject to change without notice.

## BUNN-O-MATIC CORPORATION

POST OFFICE BOX 3227

SPRINGFIELD, ILLINOIS 62708-3227

PHONE: (217) 529-6601 FAX: (217) 529-6644

[www.bunn.com](http://www.bunn.com)

To ensure you have the latest revision of the Operating Manual, Illustrated Parts Catalog, Programming Manual, or Service Manual, please visit the Bunn-O-Matic website, at [www.bunn.com](http://www.bunn.com). This is absolutely FREE, and the quickest way to obtain the latest catalog and manual updates. For Technical Service, contact Bunn-O-Matic Corporation at 1-800-286-6070.

## LIMITED WARRANTY

Bunn-O-Matic Corp. ("Bunn") warrants the Pod brewing equipment manufactured by it will be commercially free of defects in material and workmanship existing at the time of manufacture and appearing within 1 year of the date of purchase. The warranty covers both parts and labor for the 1 year period. This warranty does not apply to any equipment, component or part that was not manufactured by Bunn or that, in Bunn's judgment, has been affected by misuse, neglect, alteration, improper installation or operation, improper maintenance or repair, non periodic cleaning and descaling, equipment failures related to poor water quality, damage or casualty. In addition, the warranty does not apply to replacement of items subject to normal use: These items include but are not limited to; user replaceable parts such as seals and gaskets. This warranty is conditioned on the Buyer contacting Bunn for instructions on obtaining warranty service.

Contact may be made by:

- 1) Calling toll free 800-870-0894
- 2) World Wide Web [www.bunn.com](http://www.bunn.com)
- 3) In writing to us at Bunn-O-Matic Corp., Attn. Warranty Administrator, P.O. Box 3227, Springfield, IL 62708-3227

Upon receipt of the request for warranty service, Bunn at its sole option may choose to replace the unit, request that the unit be taken to a local Bunn Service center for repairs or request the unit be mailed pre paid to a Bunn repair center for repairs.

Prior authorization from Bunn is required for any warranty service and Bunn may request proof of purchase.

THE FOREGOING WARRANTY IS EXCLUSIVE AND IS IN LIEU OF ANY OTHER WARRANTY, WRITTEN OR ORAL, EXPRESS OR IMPLIED, INCLUDING, BUT NOT LIMITED TO, ANY IMPLIED WARRANTY OF EITHER MERCHANTABILITY OR FITNESS FOR A PARTICULAR PURPOSE. The agents, dealers or employees of Bunn are not authorized to make modifications to this warranty or to make additional warranties that are binding on Bunn. Accordingly, statements by such individuals, whether oral or written, do not constitute warranties and should not be relied upon.

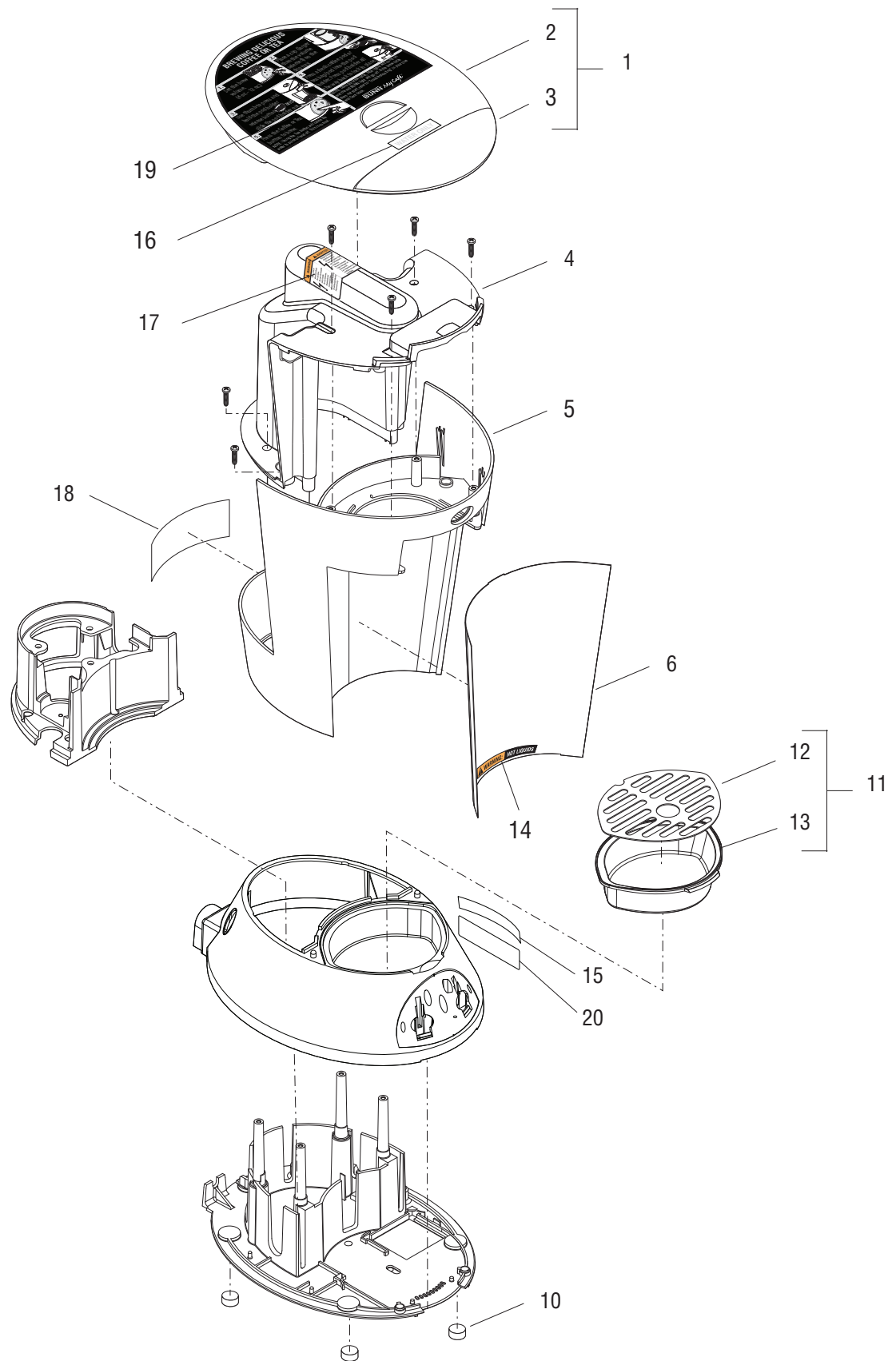
If Bunn determines in its sole discretion that the equipment does not conform to warranty, Bunn, at its exclusive option while the equipment is under warranty, shall either 1) provide at no charge replacement parts and/or labor (during the applicable parts and labor warranty periods specified above) to repair the defective components, provided that this repair is done by a Bunn Authorized Service Representative; or 2) shall replace the equipment or refund the purchase price for the equipment.

THE BUYER'S REMEDY AGAINST BUNN FOR THE BREACH OF ANY OBLIGATION ARISING OUT OF THE SALE OF THIS EQUIPMENT, WHETHER DERIVED FROM WARRANTY OR OTHERWISE, SHALL BE LIMITED, AT BUNN'S SOLE OPTION AS SPECIFIED HEREIN, TO REPAIR OR REPLACEMENT.

In no event shall Bunn be liable for any other damage or loss, including, but not limited to, lost profits, lost sales, loss of use of equipment, claims of Buyer's customers, cost of capital, cost of down time, cost of substitute equipment, facilities or services, or any other special, incidental or consequential damages.

# TABLE OF CONTENTS

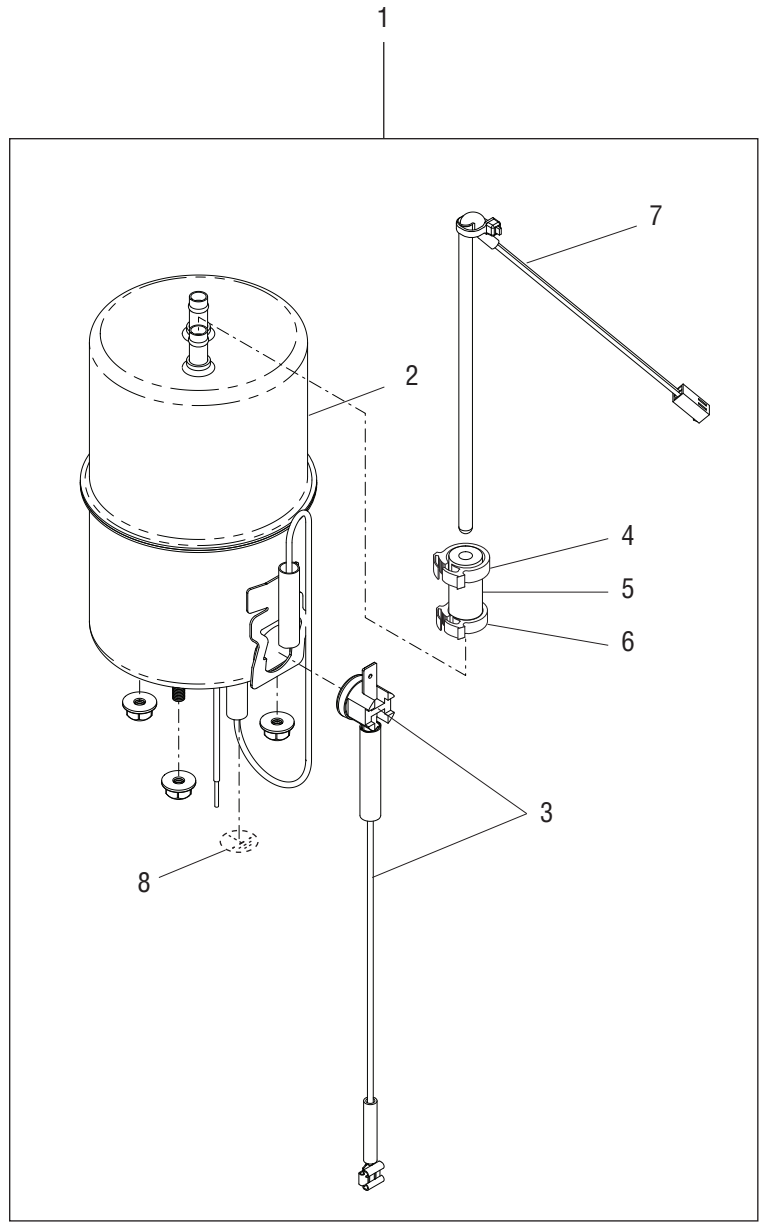
HOUSINGS & COVERS .....	4
TANK & COMPONENTS .....	6
RESERVOIR, CHECK VALVES, TUBES, PUMPS & SOLENOID .....	8
ELECTRICAL & OPERATING CONTROLS .....	12
SPRAYHEAD ASSEMBLY .....	14
POD HOLDER .....	16
NUMERICAL INDEX .....	18



## HOUSINGS & COVERS

ITEM	PART NO.	QTY.	DESCRIPTION
1	37495.1000	1	Lid Assy, Pour-In (Includes # 2, 3, 16 & 19)
2	37491.0000*	1	Lid, Pour-In (Order # 1)
3	36272.0000*	1	Lid, Inner (Order # 1)
4	36262.1000	1	Trunk, Inner (Includes # 17)
	44646.0001	8	Screw, PHH PHN Plascrew #6 x .60"
5	36265.1001	1	Kit, Shell (Includes # 6, 14, 18)
6	36322.0000*	1	Panel, Backsplash (Order # 5)
7			
8			
9			
10	34466.0000	5	Foot, Rubber .5" OD x .25"
11	37520.0000	1	Drip Tray & Grate Assy (Includes Items 12 & 13) (MCP)
	37520.0001	1	Drip Tray & Grate Assy (Includes Items 12 & 13) (MCA)
12	36269.0002	1	Grate, Drip Tray
13	36727.0000	1	Drip Tray (MCA)
	36268.0000	1	Drip Tray (MCP)
14	37280.0000	1	Decal, Hot Liquids
15	37282.0000	1	Decal, Brew Interrupt
16	37281.0000	1	Decal, Water Only
17	37267.0000	1	Decal, Warning
18	00656.0001	1	Decal, Comply to Plumbing Code (120V models only)
19	37092.0001	1	Decal, Removable 5-Step (Optional)
20	44169.0000	1	Decal, My Café

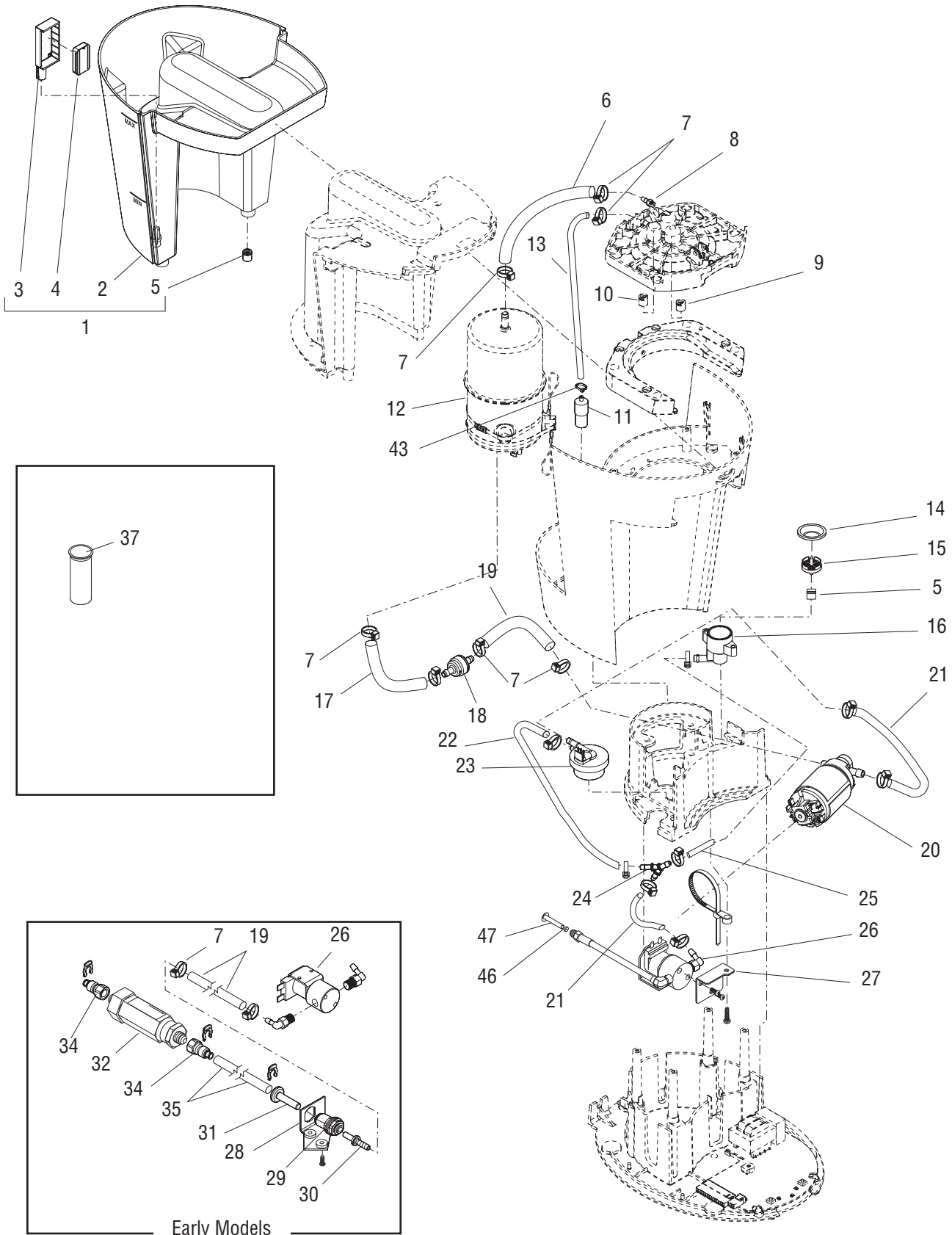
\* Indicates the part number listed is for reference only. See DESCRIPTION for possible service replacement.



## TANK & COMPONENTS

ITEM	PART NO.	QTY.	DESCRIPTION
1	45147.1000 37083.0000	1 3	Tank Assembly, 120V, 1450W w/Leads (Includes # 2 - 7) (Replacement) Nut, 8-32 Serrated Flanged
2	41011.0000*	1	Tank Weldment, Main 120V 1450 W (Order # 1)
3	36396.0001	1	One -Shot Assy, Blu/Blk 1-Wire
4	12422.0011	1	Clamp, SNP-4
5	36629.0003*	1	Tubing (Order # 49, Page 11 )
6	12422.0000	1	Clamp, SNP-6
7	28891.1009	1	Probe, Temperature
8	00824.0002	1	Decal, Ground

\* Indicates the part number listed is for reference only. See DESCRIPTION for possible service replacement.



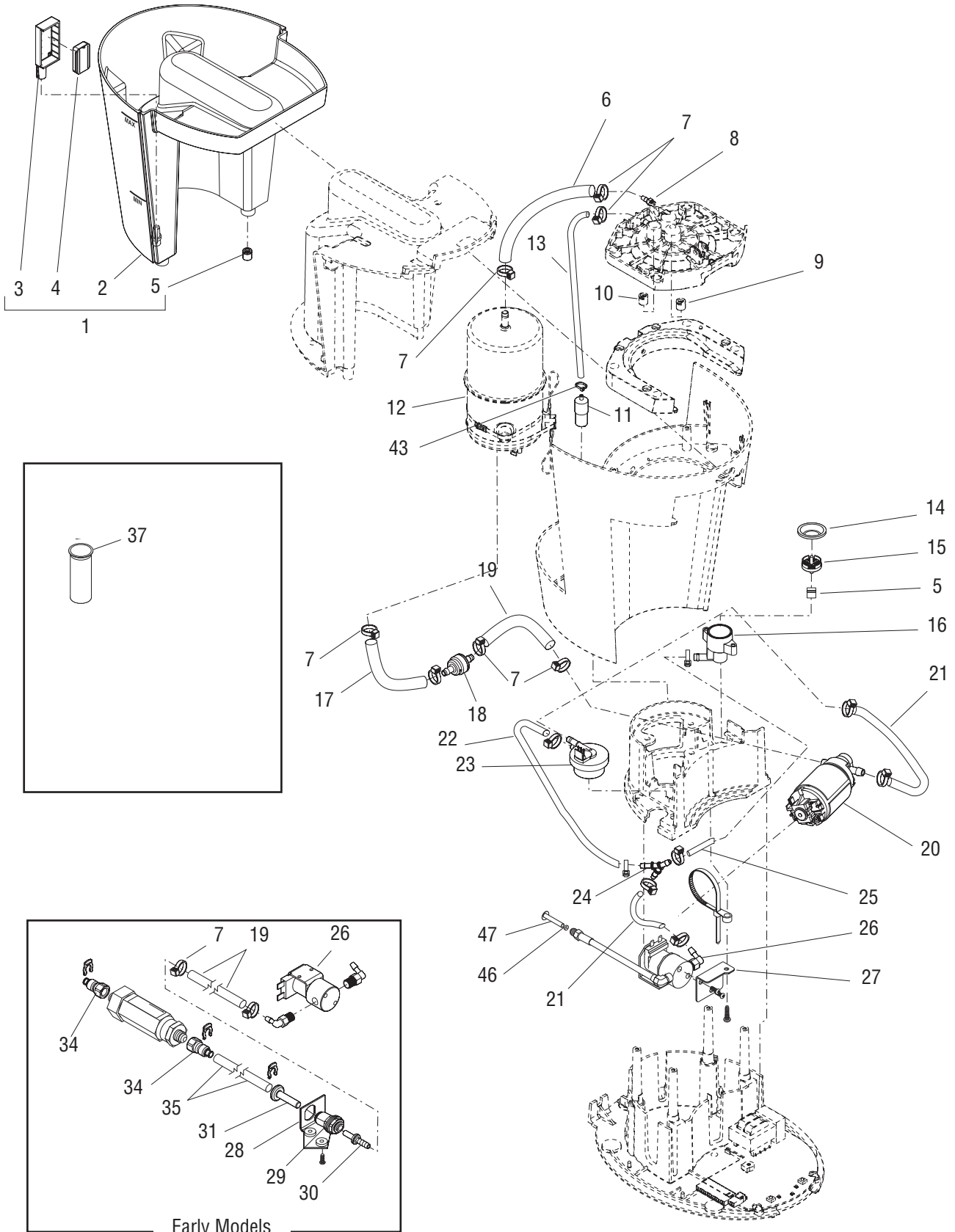
## RESERVOIR, CHECK VALVES, TUBES, PUMPS & SOLENOID

ITEM	PART NO.	QTY.	DESCRIPTION
1	37419.1000	1	Reservoir Assy, Float/Valve (Includes Items 2 Through 5)
2	36264.0000	1	Reservoir, 46 Oz
3	36321.0001	1	Guide, Reservoir Float (Refer to item 48)
4	36316.0000	1	Float Assy, Water Level Detect (Refer to item 48)
5	36378.0002	2	Valve, Check DW 10
6	36629.0010*	1	Tube, Silicone .188" ID x 5.0" LG (Order Item 49)
7	36329.0002*	12	Tie, cable-Nylon BLK 5.6" LG x .142" W
8	-----	1	Fitting, Barbed .062-27 (See "Sprayhead Assembly")
9	-----	1	Valve, Check DW 11 (See "Sprayhead Assembly")
10	-----	1	Valve, Check DW 10 (See "Sprayhead Assembly")
11	-----	1	Pump, Air 1.6-1.9 LPM (See "Electrical & Operating Controls")
12	-----	1	Tank Assy, (Early Style Shown) (See "Tank & Components")
13	36630.0007*	1	Tube, Silicone .125" ID x 6.0" LG (Order Item 50)
14	36303.0000	1	Seal, Reservoir Outlet
15	36284.0000	1	Screen, Molded BLK
16	36283.0000	1	Coupling, Reservoir
17	36629.0012*	1	Tube, Silicone .188" ID x 1.5" LG (Order Item 49)
18	37802.1000	1	Kit, Check Valve, Bi-Dirumbrell
19	36629.0011*	2	Tube, Silicone .188" ID x 2.5" LG (One less used on Late Models) (Order Item 49)
20	-----	1	Pump Assy, With Motor (See "Electrical & Operating Controls")
21	36631.0022*	2	Tube, Silicone .188" ID x 4.375" LG (Order Item 51)
22	36631.0020*	1	Tube, Silicone .188" ID x 3.0" LG (Order Item 51)
23	-----	1	Meter, Flow (See "Electrical & Operating Controls")
24	37290.0000	1	Fitting, "Y" Barbed 3/16" ID
25	36631.0021*	1	Tube, Silicone .188" ID x 1.0" LG (Order Item 50)
26	37313.0001	1	Solenoid, Valve Assy 120V (Late Models)
27	38846.1000	1	Bracket, Solenoid Valve
	37459.0000	2	Screw, PNH, PHH #10-32 x .50"
	44646.0001	2	Screw, PNH PHH Plascrew #6 x .60 (Early Models)
28	36925.0000*	1	Bracket Weldment, Bulkhead Fitting (Early Models)
	37459.0000	2	Screw, PNH, PHH #10-32 x .50"

(Continued)

\* Indicates the part number listed is for reference only. See DESCRIPTION for possible service replacement.

(Continued)



Early Models

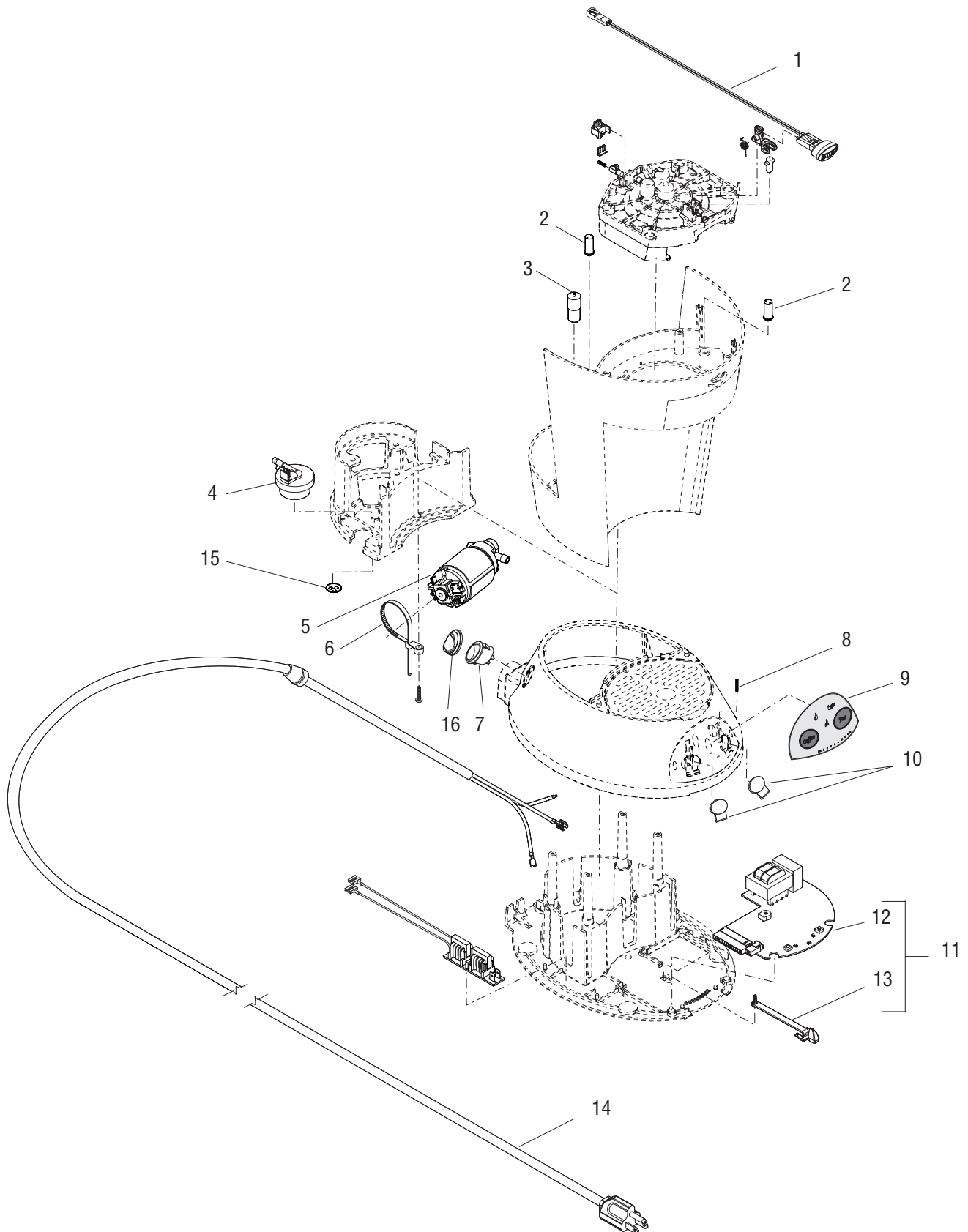
## RESERVOIR, CHECK VALVES, TUBES, PUMPS & SOLENOID

ITEM	PART NO.	QTY.	DESCRIPTION
29	37094.0000*	1	Fitting, Quick Disconnect .25" (Early Models)
30	37925.0000*	1	Fitting, Tube to Hose Stem .25" (Early Models)
31	37452.0000*	1	Fitting, .25" Plug (Optional Plug when used as a Pour-Over) (Early Models)
32			
33	37469.0000*	3	Clip, Locking John Guest .25" (Early Models)
34	37470.0000*	2	Fitting, Brass Female .25" - .25" (Early Models)
35	37489.0000*	1	Tube, .25" OD Hard Plastic 2' (Early Models)
36			
37	23721.0000	1	Screen
38			
39			
40			
41			
42			
43	36329.0002*	1	Cable Tie
44			
45	00935.0001	1	Cap 120V (Late Models)(Not Illustrated)
46	39182.0001	1	Orifice, Inlet Tube 120V
47	39216.0000	1	Screen Filter 120V
48	39446.0000	-	Guide/Float Assy (Includes items 3 and 4)

**The following items are not illustrated**

49	36629.1000	-	Tube, Braided .188" ID x 1 Foot
	36629.1001	-	Tube, Braided .188" ID x 3 Feet
	36629.1002	-	Tube, Braided .188" ID x 10 Feet
50	36630.1000	-	Tube, Silicone .125" ID x 1 Foot
	36630.1001	-	Tube, Silicone .125" ID x 3 Feet
	36630.1002	-	Tube, Silicone .125" ID x 10 Feet
51	36631.1000	-	Tube, Silicone .188" ID x 1 Foot
	36631.1001	-	Tube, Silicone .188" ID x 3 Feet
	36631.1002	-	Tube, Silicone .188" ID x 10 Feet

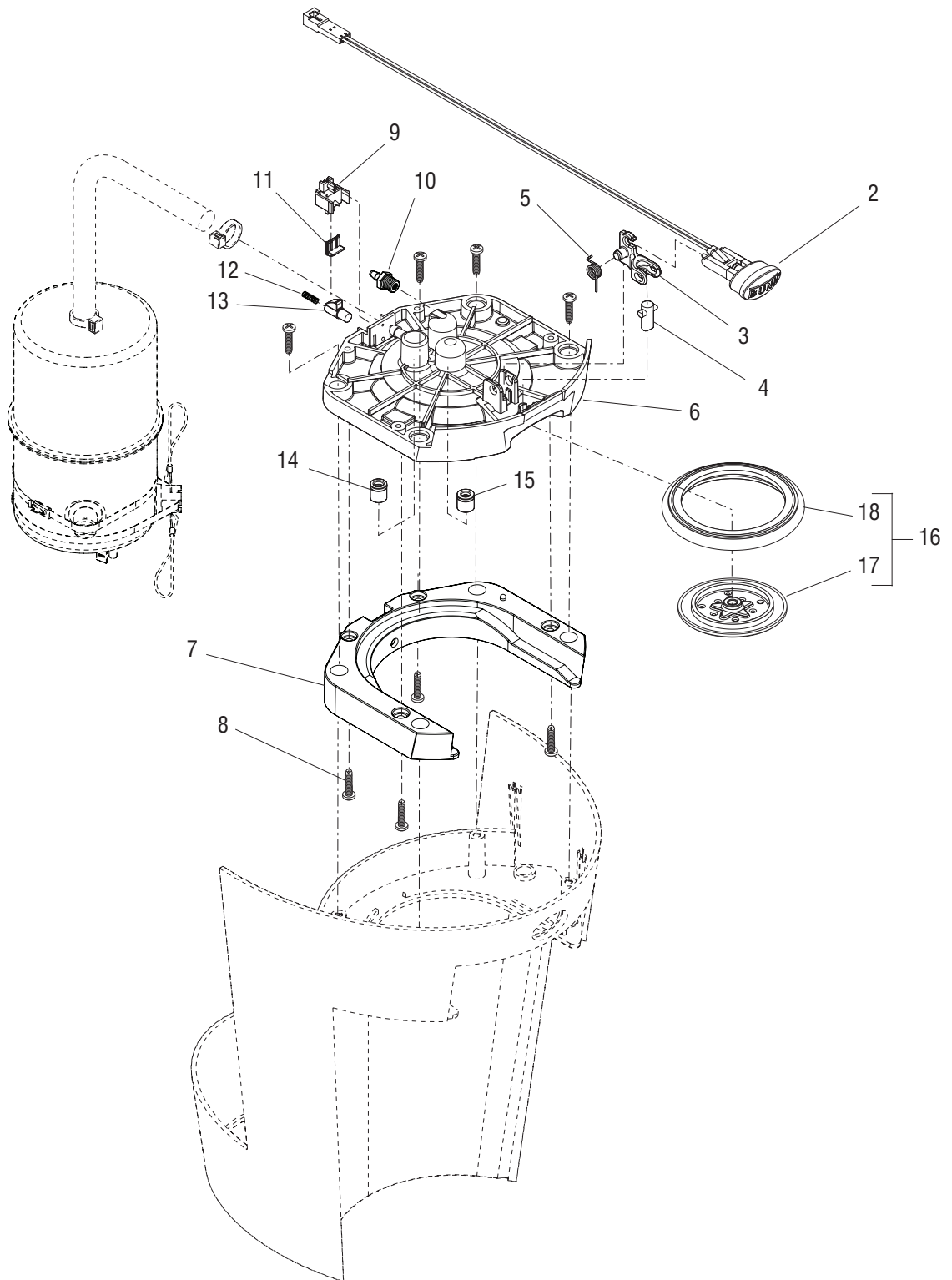
\* Indicates the part number listed is for reference only. See DESCRIPTION for possible service replacement.



## ELECTRICAL & OPERATING CONTROLS

ITEM	PART NO.	QTY.	DESCRIPTION
1	-----	1	Button, Pod Release (See "Pod Holder")
2	36903.0000	2	LED Assy
3	38316.1000	1	Pump, Air 1.6-1.9 LPM
4	36382.1000	1	Meter, Flow (Includes Push Nut)
5	37084.0002	1	Pump Assy, 230V w/Motor Leads & Thermal Cut Off (No Cable Tie) MCPA
6	38386.0000	1	Cable Tie, Water Pump
7	36285.0000	1	Switch, Oval Rocker, BLK (Includes # 16)
8	36901.0000	2	Pin, Actuator
9	36891.0000	1	Decal, Control Panel (MCA)
	36891.0102	1	Decal, Control Panel MCA AM (TACO BELL)
	36534.0000	1	Decal, Control Panel (MCP)
10	36270.0001	2	Button, Brew Start
11	37522.1000	1	CB Assy, 120V w/Volume Lever (Includes Items 12 & 13) (MCP)
	37522.1001	1	CB Assy, 120V w/Volume Lever (Includes Items 12 & 13) (MCA)
12	36171.0000*	1	Circuit Board Assy, 120V (Order Item 11) (MCP)
	36171.0001*	1	Circuit Board Assy, 120V (Order Item 11) (MCA)
13	37034.0000	1	Lever, Volume Control W/Overmold (MCP)
	37035.0000	1	Lever, Volume Control W/Overmold (MCA)
14	36381.0000	1	Cord Assy, 120V 2-Wire W/Ground
	06064.0000	1	Label, Cord Warning (120V models only)
15	36718.0000	1	Push Nut, 2mm
16	37949.0000	1	Cap, Rocker Switch
17			
18	36546.0000	1	Wiring Harness, Main (Not Illustrated)
19	36547.0000	1	Wiring Harness (Not Illustrated)

\* Indicates the part number listed is for reference only. See DESCRIPTION for possible service replacement.

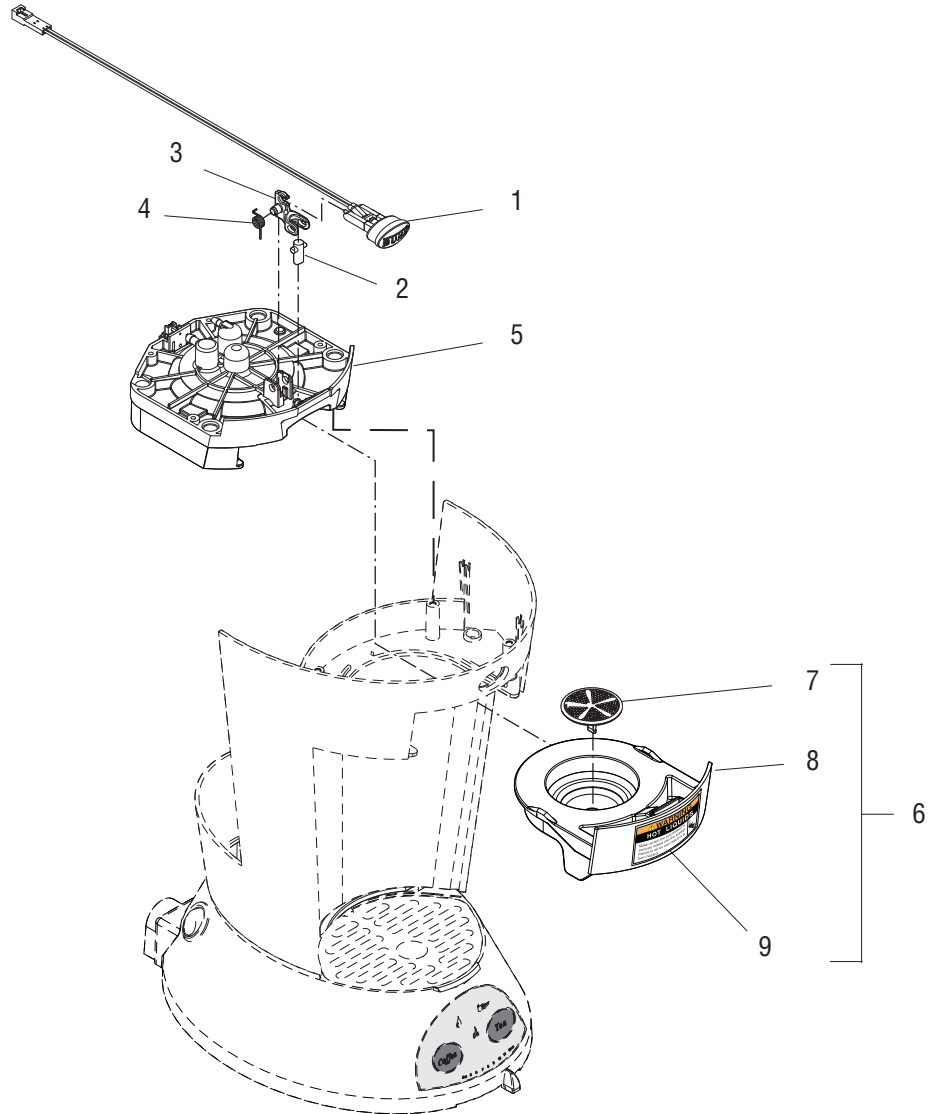


## SPRAYHEAD ASSEMBLY

ITEM	PART NO.	QTY.	DESCRIPTION
1			
2	-----	1	Button, Pod Release (See "Pod Holder")
3	36281.0000*	1	Linkage, Button To Pin (Not Available, Order # 6)
4	36280.0000*	1	Pin, Latch-Pod Holder (Not Available, Order # 6)
5	36288.0000*	1	Spring, Latch-Pod Holder (Not Available, Order # 6)
6	36278.0000	1	Sprayhead Assy, Top W/Fittings
7	36279.0000*	1	Ramp, Sprayhead
8	44646.0001	4	Screw, PHH PHN Plascrew #6 x .60
9	36536.1000	1	Switch, Snap Action 24V
10	37543.0000*	1	Fitting, Barbed .062-27
11	36324.0000*	1	Plunger, L-Shaped Activator
12	36544.0000*	1	Spring, Compression .12" OD x .38"
13	36323.0000*	1	Plunger, Switch Actuator
14	36378.0001	1	Valve, Check 2.5 psi
15	36379.0000	1	Valve, Check DW 11
16	37521.0000	1	Kit, Sprayhead/Seal Assembly (Includes Items 17, 18 & Instructions)
17	36384.1001	1	Kit, MCP/MCA Sprayhead
18	36078.0000	1	Seal, Sprayhead



\* Indicates the part number listed is for reference only. See DESCRIPTION for possible service replacement.



## POD HOLDER

ITEM	PART NO.	QTY.	DESCRIPTION
1	<a href="#">36904.0000</a>	1	Button Assy, Pod Release W/Terminals
2	-----	1	Pin, Latch-Pod Holder (See "Sprayhead Assembly")
3	-----	1	Linkage, Button To Pin (See "Sprayhead Assembly")
4	-----	1	Spring, Latch-Pod Holder (See "Sprayhead Assembly")
5	-----	1	Sprayhead Assy (See "Sprayhead Assembly")
6	<a href="#">36717.1002</a>	1	Pod Holder Assembly BLK (Includes Items 7, 8 & 10)
	<a href="#">36717.1003</a>	1	Pod Holder Assembly BLU (Includes Items 7, 8 & 10)
7	<a href="#">36716.0000</a>	1	Screen, Molded Snap-In, BLACK
8	36715.0001*	1	Pod Holder (Order # 6)
9	<a href="#">41936.0000</a>	1	Decal, Warning Pod Drawer
<b>The following items are not illustrated</b>			
10	<a href="#">37306.0000</a>	1	Descaler, Urnex (Available at Web Site - <a href="http://www.bunn.com">www.bunn.com</a> ) (Not Illustrated)
11	<a href="#">37307.0000</a>	-	Descaler, JavaClean2 (Available at Web Site - <a href="http://www.bunn.com">www.bunn.com</a> ) (Not Illustrated)

\* Indicates the part number listed is for reference only. See DESCRIPTION for possible service replacement.

## NUMERICAL INDEX

PART NO.	PAGE NO.	PART NO.	PAGE NO.	PART NO.	PAGE NO.	PART NO.	PAGE NO.
00656.0001	5	36630.1000	11	38846.1000	9		
00824.0002	7	36630.1001	11	39182.0001	11		
00935.0001	11	36630.1002	11	39216.0000	11		
06064.0000	13	36631.0020	9	39446.0000	11		
12422.0000	7	36631.0021	9	41011.0000	7		
12422.0011	7	36631.0022	9	41936.0000	17		
22307.0222	11	36631.1000	11	44169.0000	5		
23721.0000	11	36631.1001	11	45147.1000	7		
28891.1009	7	36631.1002	11	44646.0001	5,9,15		
34466.0000	5	36715.0001	17				
36078.0000	15	36716.0000	17				
36171.0000	13	36717.1002	17				
36171.0001	13	36717.1003	17				
36262.1000	5	36718.0000	13				
36264.0000	9	36727.0000	5				
36265.1001	5	36891.0000	13				
36268.0000	5	36891.0102	13				
36269.0002	5	36901.0000	13				
36270.0001	13	36903.0000	13				
36272.0000	5	36904.0000	17				
36278.0000	15	36925.0000	9				
36279.0000	15	37034.0000	13				
36280.0000	15	37035.0000	13				
36281.0000	15	37083.0000	7				
36283.0000	9	37084.0002	13				
36284.0000	9	37092.0001	5				
36285.0000	13	37094.0000	11				
36288.0000	15	37267.0000	5				
36303.0000	9	37280.0000	5				
36316.0000	9	37281.0000	5				
36321.0001	9	37282.0000	5				
36322.0000	5	37290.0000	9				
36323.0000	15	37306.0000	17				
36324.0000	15	37307.0000	17				
36329.0002	9,11	37313.0001	9				
36378.0002	9,15	37419.1000	9				
36379.0000	15	37452.0000	11				
36381.0000	13	37459.0000	9				
36382.1000	13	37469.0000	11				
36384.1001	15	37470.0000	11				
36396.0001	7	37489.0000	11				
36534.0000	13	37491.0000	5				
36536.1000	15	37495.1000	5				
36544.0000	15	37520.0000	5				
36546.0000	13	37520.0001	5				
36547.0000	13	37521.0000	15				
36629.0003	7	37522.1000	13				
36629.0010	9	37522.1001	13				
36629.0011	9	37543.0000	15				
36629.0012	9	37802.1000	9				
36629.1000	11	37925.0000	11				
36629.1001	11	37949.0000	13				
36629.1002	11	38316.1000	13				
36630.0007	9	38386.0000	13				