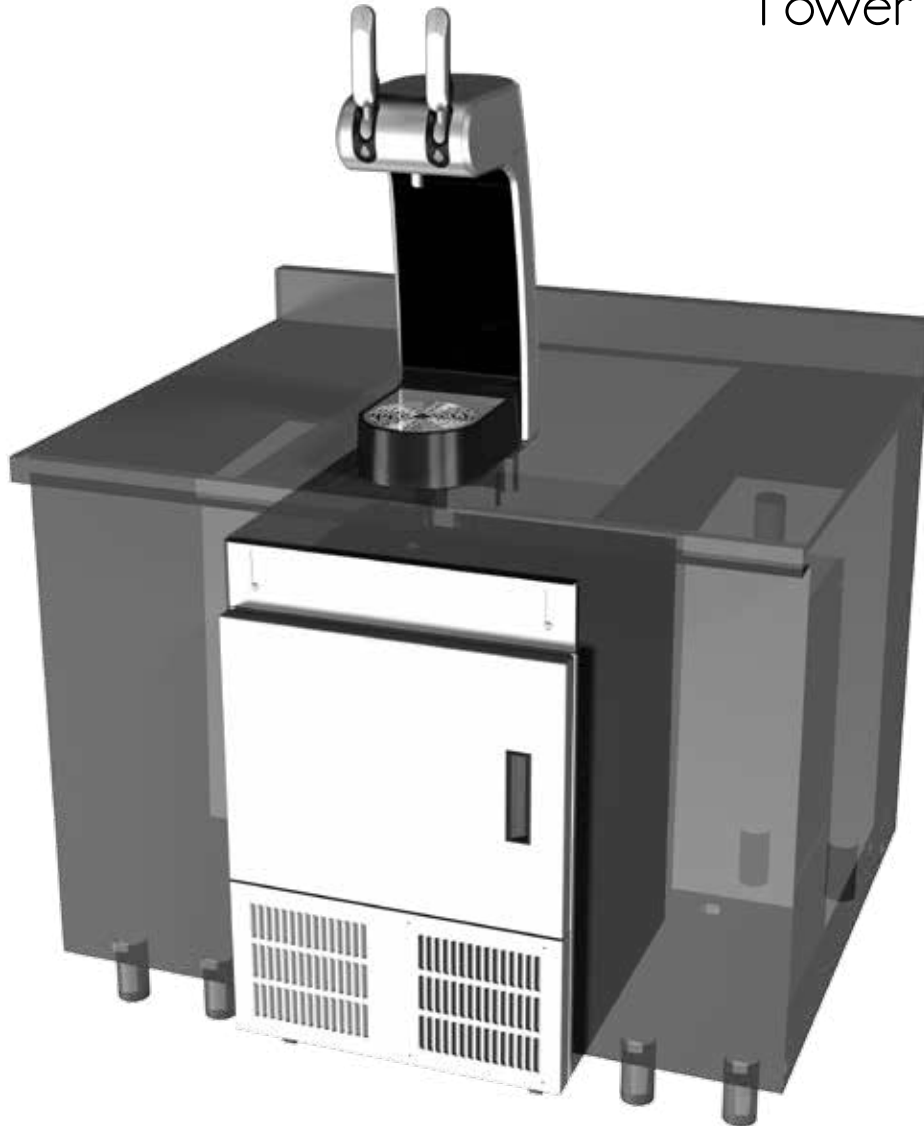




BUNN refresh™ Tower



INSTALLATION & OPERATING GUIDE

BUNN-O-MATIC CORPORATION

POST OFFICE BOX 3227

SPRINGFIELD, ILLINOIS 62708-3227

PHONE: (217) 529-6601 FAX: (217) 529-6644

To ensure you have the latest revision of the Operating Manual, or to view the Illustrated Parts Catalog, Programming Manual, or Service Manual, please visit the Bunn-O-Matic website, at www.bunn.com. This is absolutely FREE, and the quickest way to obtain the latest catalog and manual updates. For Technical Service, contact Bunn-O-Matic Corporation at 1-800-286-6070.



BUNN-O-MATIC COMMERCIAL PRODUCT WARRANTY

Bunn-O-Matic Corp. ("BUNN") warrants equipment manufactured by it as follows:

- 1) Airpots, thermal carafes, decanters, GPR servers, iced tea/coffee dispensers, MCR/MCP/MCA single cup brewers, thermal servers and ThermoFresh® servers (mechanical and digital) 1 year parts and 1 year labor.
- 2) All other equipment - 2 years parts and 1 year labor plus added warranties as specified below:
 - a) Electronic circuit and/or control boards - parts and labor for 3 years.
 - b) Compressors on refrigeration equipment - 5 years parts and 1 year labor.
 - c) Grinding burrs on coffee grinding equipment to grind coffee to meet original factory screen sieve analysis - parts and labor for 4 years or 40,000 pounds of coffee, whichever comes first.

These warranty periods run from the date of installation BUNN warrants that the equipment manufactured by it will be commercially free of defects in material and workmanship existing at the time of manufacture and appearing within the applicable warranty period. This warranty does not apply to any equipment, component or part that was not manufactured by BUNN or that, in BUNN's judgment, has been affected by misuse, neglect, alteration, improper installation or operation, improper maintenance or repair, non periodic cleaning and descaling, equipment failures related to poor water quality, damage or casualty. In addition, the warranty does not apply to replacement of items subject to normal use including but not limited to user replaceable parts such as seals and gaskets. This warranty is conditioned on the Buyer 1) giving BUNN prompt notice of any claim to be made under this warranty by telephone at (217) 529-6601 or by writing to Post Office Box 3227, Springfield, Illinois 62708-3227; 2) if requested by BUNN, shipping the defective equipment prepaid to an authorized BUNN service location; and 3) receiving prior authorization from BUNN that the defective equipment is under warranty.

THE FOREGOING WARRANTY IS EXCLUSIVE AND IS IN LIEU OF ANY OTHER WARRANTY, WRITTEN OR ORAL, EXPRESS OR IMPLIED, INCLUDING, BUT NOT LIMITED TO, ANY IMPLIED WARRANTY OF EITHER MERCHANTABILITY OR FITNESS FOR A PARTICULAR PURPOSE. The agents, dealers or employees of BUNN are not authorized to make modifications to this warranty or to make additional warranties that are binding on BUNN. Accordingly, statements by such individuals, whether oral or written, do not constitute warranties and should not be relied upon.

If BUNN determines in its sole discretion that the equipment does not conform to the warranty, BUNN, at its exclusive option while the equipment is under warranty, shall either 1) provide at no charge replacement parts and/or labor (during the applicable parts and labor warranty periods specified above) to repair the defective components, provided that this repair is done by a BUNN Authorized Service Representative; or 2) shall replace the equipment or refund the purchase price for the equipment.

THE BUYER'S REMEDY AGAINST BUNN FOR THE BREACH OF ANY OBLIGATION ARISING OUT OF THE SALE OF THIS EQUIPMENT, WHETHER DERIVED FROM WARRANTY OR OTHERWISE, SHALL BE LIMITED, AT BUNN'S SOLE OPTION AS SPECIFIED HEREIN, TO REPAIR, REPLACEMENT OR REFUND.

In no event shall BUNN be liable for any other damage or loss, including, but not limited to, lost profits, lost sales, loss of use of equipment, claims of Buyer's customers, cost of capital, cost of down time, cost of substitute equipment, facilities or services, or any other special, incidental or consequential damages.

392, A Partner You Can Count On, Air Infusion, AutoPOD, AXIOM, BrewLOGIC, BrewMETER, Brew Better Not Bitter, BrewWISE, BrewWIZARD, BUNN Espresso, BUNN Family Gourmet, BUNN Gourmet, BUNN Pour-O-Matic, BUNN, BUNN with the stylized red line, BUNNlink, Bunn-O-Matic, Bunn-O-Matic, BUNNserve, BUNNSERVE with the stylized wrench design, Cool Froth, DBC, Dr. Brew stylized Dr. design, Dual, Easy Pour, EasyClear, EasyGard, FlavorGard, Gourmet Ice, Gourmet Juice, High Intensity, iMIX, Infusion Series, Intellisteam, My Café, Phase Brew, PowerLogic, Quality Beverage Equipment Worldwide, Respect Earth, Respect Earth with the stylized leaf and coffee cherry design, Safety-Fresh, savemycoffee.com, Scale-Pro, Silver Series, Single, Smart Funnel, Smart Hopper, SmartWAVE, Soft Heat, SplashGard, The Mark of Quality in Beverage Equipment Worldwide, ThermoFresh, Titan, trifacta, TRIFECTA (stylized logo), Velocity Brew, Air Brew, Beverage Bar Creator, Beverage Profit Calculator, Brew better, not bitter., Build-A-Drink, BUNNSource, Coffee At Its Best, Cyclonic Heating System, Daypart, Digital Brewer Control, Element, Milk Texturing Fusion, Nothing Brews Like a BUNN, Picture Prompted Cleaning, Pouring Profits, Signature Series, Sure Tamp, Tea At Its Best, The Horizontal Red Line, Ultra are either trademarks or registered trademarks of Bunn-O-Matic Corporation. The commercial trifacta® brewer housing configuration is a trademark of Bunn-O-Matic Corporation.

CONTENTS

Warranty	2
User Notices	3
Unpacking, Initial Set-Up, Installing the Tower	4
Connecting The Tower	5
CE Requirements	5
Plumbing Requirements	6
Plumbing Hookup	6
Carbon Dioxide Hookup	6
Filling the Water Bath	7
Purging the Water Lines	7
Changing Water Filter Cartridge Warning	8
Dispenser Use	8
Cleaning & Preventative Maintenance	8
Electrical Wiring Schematic Diagram	9
Plumbing Schematic Diagram	10
Coolant Schematic Diagram	11
Tower Installation Template	12
BUNN refresh Install Pictorial	13

USER NOTICES

Carefully read and follow all notices on the equipment and in this manual. They were written for your protection. All notices are to be kept in good condition. Replace any unreadable or damaged labels.

As directed in the International Plumbing Code of the International Code Council and the Food Code Manual of the Food and Drug Administration (FDA), this equipment must be installed with adequate back-flow prevention to comply with federal, state and local codes. For models installed outside the U.S.A., you must comply with the applicable Plumbing /Sanitation Code for your area.

00656.0001

CHARGE

Type R134A, Amount 9 oz (255 gm)
 Design Pressures:
 High 255 psi (15.5 bar) (1.76 MPa)
 Low 36 psi (2.5 bar) (0.25 MPa)

33461.0001

⚠ WARNING

- ◆ Use only on a properly protected circuit capable of the rated load.
- ◆ Electrically ground the chassis.
- ◆ Follow national/local electrical codes.
- ◆ Do not use near combustibles.
- ◆ Do not deform plug or cord.

FAILURE TO COMPLY RISKS EQUIPMENT DAMAGE, FIRE OR SHOCK HAZARD.

READ THE ENTIRE OPERATING MANUAL BEFORE USING THIS PRODUCT

00986.0002M 10/14 ©1994 Bunn-O-Matic Corporation

00986.0002

⚠ WARNING

Moving Parts. Do not operate unit with this panel removed.	Risk Of Electrical Shock. Disconnect power before servicing unit.
--	---

27442.0000

COMPRESSOR

ON OFF

41509.0001

DISPENSE

ON OFF

41509.0002

WATER FILTER

RESET

41509.0003

PROGRAM

MODE

41509.0004

SET CO² PRESSURE

110 - 120 PSIG

41509.0005

UNPACKING

The water dispenser and dispense tower have been shipped together in the same package. In order to prevent damage, these items should remain in the same packaging until the location preparation is complete. Once ready for installation, remove the box containing the tower. This box contains the tower (tubing bundle attached), the drip tray, grate, and the hardware for mounting the tower to the counter top. Once the tower has been unpacked, remove the machine, and the box containing the water filter cartridge. Note: The machine is on casters so it can be rolled into place.

INITIAL SET-UP

The dispenser is designed for indoor use only, in ambient temperatures ranging from 50°F to 90°F. Avoid locating the machine where it will be subject to direct sunlight or exposed to other external heat sources. Allow a minimum clearance of 6" at the lower front of the dispenser for proper air circulation.

INSTALLING THE TOWER

A template has been provided with the tower that details the location of the holes required for mounting the tower to the counter top. A copy of the drawing of this template is included for reference (see page 12). Once the counter top has been prepared for installation, route the tubing bundle from the tower through the hole in the counter top, then position the tower onto the counter top. Make sure that the gasket retainer and the gasket are in place. Using the supplied four (4) mounting screws, four (4) lock washers, and mounting plate, attach the tower to the counter top. Attach the drip tray (included with tower) to the clips at the base of the tower as shown in Figure 1.

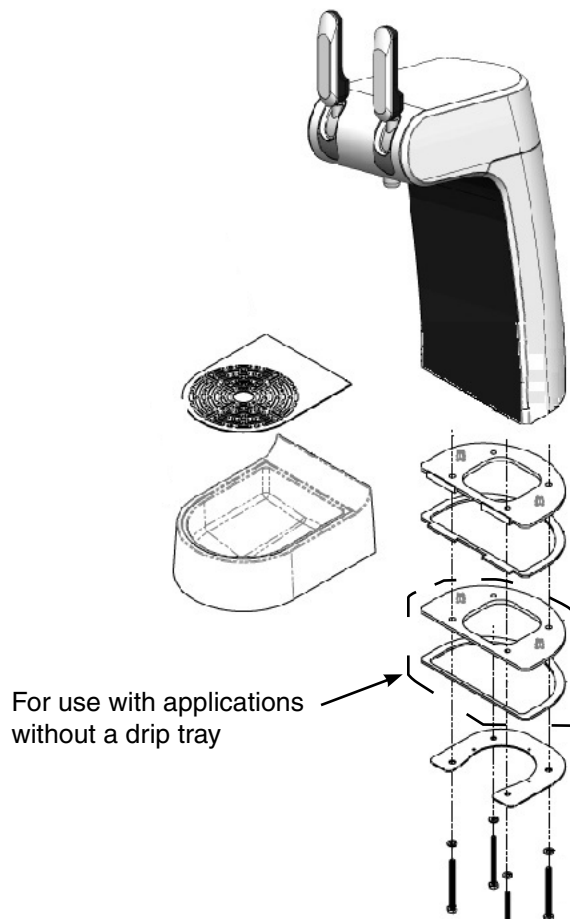


Figure 1

CONNECTING THE TOWER TO THE MACHINE

Use two (2) mounting screws (included with drip tray) to attach the fitting manifold at the end of the tubing bundle (see Figure 2) coming from the tower to the mating connection at the back of the machine as shown in Figure 3. Connect the electrical cord that is attached to the tubing bundle to the back of the machine (see Figure 3). Final connections as shown in Figure 4.



Figure 2



Figure 3



Figure 4

ELECTRICAL REQUIREMENTS

CAUTION: The dispenser must be disconnected from the power source until specified in *Electrical Hook-Up*.

The 120V rated dispensers have an attached cord set and require a 2-wire, grounded, individual branch circuit rated 120 volts AC, 15 amp, single phase, 60Hz. The mating connector must be a NEMA 5-15R.

Refer to the data plate for exact electrical requirements.

ELECTRICAL HOOK-UP

CAUTION: Improper electrical installation will damage electronic components.

1. An electrician must provide electrical service as specified.
2. Using a voltmeter, check the voltage and color coding of each conductor at the electrical source.
3. Confirm that the compressor switch and the dispense switch are in the **OFF** position (see Figure 5).
4. Connect the dispenser to the power source.
5. If plumbing is to be hooked up later, be sure the dispenser is disconnected from the power source. If plumbing has been hooked up, the dispenser is ready for *Initial Fill*.

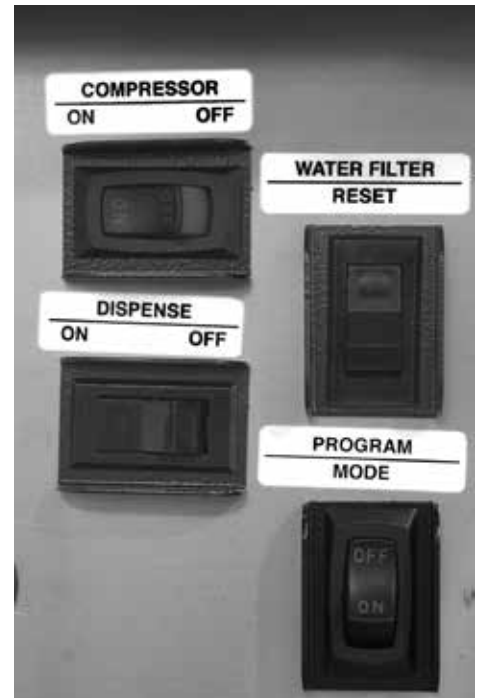


Figure 5

PLUMBING REQUIREMENTS

The dispenser must be connected to a **COLD WATER** system with an operating pressure between 30 and 100 psig (.207 and .690 mPa). This water source must be capable of producing a minimum flow rate of 3 fluid ounces (88.7 milliliters) per second. A shut off valve should be installed in the line that will supply the dispenser. A water filter has been included with the dispenser. The water filter should be installed as close as possible to the inlet of the machine, but downstream of the shut off valve (see Figure 6). The new water filter should be flushed with at least five gallons of water before hooking it up to the dispenser. The main water inlet is a 3/8" (9.52 mm) MFL connection.

NOTE- At least 72 inches (173 cm) of an FDA approved flexible beverage tubing, such as reinforced braided polyethylene should be installed at the inlet to the dispenser to facilitate enough movement to roll the machine out from under the counter top. It can be purchased direct from BUNN-O-MATIC (part number 45848.10__ [see Illustrated Parts Catalog for complete part number.] BUNN-O-MATIC does not recommend the use of saddle valves to install the dispenser. The size and shape of the hole(s) made in the supply line(s) by saddle valves may restrict water flow.



Figure 6

As directed in the International Plumbing Code of the International Code Council and the Food Code Manual of the Food and Drug Administration (FDA), this equipment must be installed with adequate backflow prevention to comply with federal, state and local codes. For models installed outside the U.S.A., you must comply with the applicable Plumbing /Sanitation Code for your area.

PLUMBING HOOK-UP

The plumbing connection is a 3/8" male flare adapter located on the rear of the water dispenser (Figure 7).

NOTE – Water pipe connections and fixtures directly connected to a potable water supply shall be sized, installed, and maintained in accordance with federal, state, and local codes.

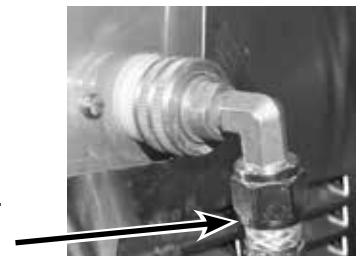


Figure 7

CARBON DIOXIDE HOOK-UP

The dispenser will need to be connected to an external CO₂ source. An external CO₂ pressure regulator will need to be installed in the supply line to the dispenser. The external CO₂ supply connection is a 1/4" MFL (Figure 8) located on the back of the machine.

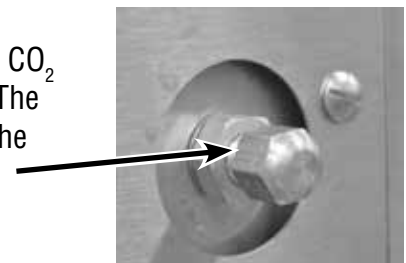


Figure 8

FILLING THE WATER BATH

1. Plug the dispenser into an electrical outlet and turn on the water supply to the dispenser.
2. Flip the dispense switch to ON. The water bath will begin to fill. The water bath will fill and automatically shut off when the water bath is full.
3. Check the sight glass to confirm that the water bath is full (see Figure 9).

Once the water bath is full, flip the compressor switch to ON. It will take several hours to create the ice bank required for full dispenser performance, but there will be chilled water in one to two hours. During this time, some further trickling from the water bath into the drip tray is expected due to expansion caused by the ice bank formation.

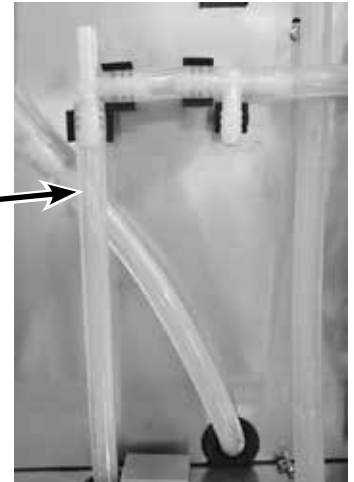


Figure 9

PURGING THE WATER LINES (PULL & HOLD VERSION)

1. Insure that the dispense switch is ON.
2. Dispense water from the STILL WATER lines until the cloudy appearance dissipates and the water flows clear. Next, dispense water from the SPARKLING WATER lines until again the cloudy appearance dissipates and the water flows clear.
3. Open the external CO₂ supply line. Set the external CO₂ pressure regulator to 120 psig (.827 mPa).
4. Dispense sparkling water until carbonation appears.
5. The machine is now ready for use.

PURGING THE WATER LINES (PORTION CONTROL VERSION)

1. Insure that the dispense switch is ON.
2. Dispense water from the STILL WATER lines by pressing & holding the "+" button (Figure 10), till the cloudy appearance dissipates and the water flows clear.

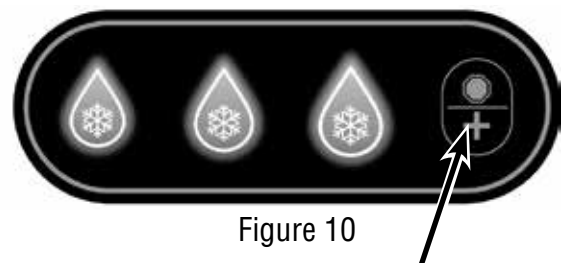


Figure 10

3. Dispense water from the SPARKLING WATER lines by pressing & holding the "+" button (Figure 11), till the cloudy appearance dissipates and the water flows clear.
4. Open the external CO₂ supply line. Set the external CO₂ pressure regulator to 120 psig (.827 mPa).
5. Dispense sparkling water until carbonation appears.
6. The machine is now ready for use.

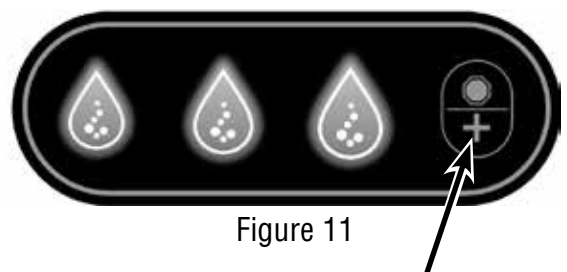


Figure 11

CHANGE WATER FILTER CARTRIDGE WARNING

The water filter cartridge will need to be changed after 4,500 gallons of use. When the water usage gets close to 4,500 gallons, the blue LED will flash slowly to indicate that it is nearly time to replace the water filter cartridge. When the water usage exceeds 4,500 gallons, the blue LED will flash rapidly to indicate that it is time to replace the water filter cartridge. Once the water filter cartridge has been replaced, push and hold the water filter reset switch for 3 seconds to clear the warning.

CHANGING THE WATER FILTER CARTRIDGE:

1. To change the water filter cartridge, shut off the water supply line and remove the water supply line at the dispenser.
2. Turn the water filter cartridge counterclockwise to remove it from its mounting bracket.
3. Install the new water filter cartridge into the mounting bracket by turning it clockwise until it is tight.
4. The new water filter cartridge should be flushed with at least five gallons of water before re-connecting the water supply line at the dispenser.

DISPENSER USE

Pull and Hold Dispensing:

1. Place a container beneath the dispensing nozzle.
2. Pull and hold either the “still” water handle or the “sparkling” water handle until the beverage reaches the desired level, then release.

Portion Control Dispensing:

The portion sizes are preset but can be changed as follows:

1. Set the program switch to the ON position.
2. Press and hold the large and medium buttons on the left (STILL WATER) until you see the BLUE LED flash three times.
3. Place a container beneath the dispensing nozzle then press and hold the appropriate dispense switch until the desired amount has been dispensed. The machine will record the amount of time that the button is pressed continuously. If the button is released too soon, simply empty the container and start over.
4. Repeat step 3 for each of the dispense switches as desired.
5. Turn the program switch to the OFF position.

CLEANING & PREVENTIVE MAINTENANCE

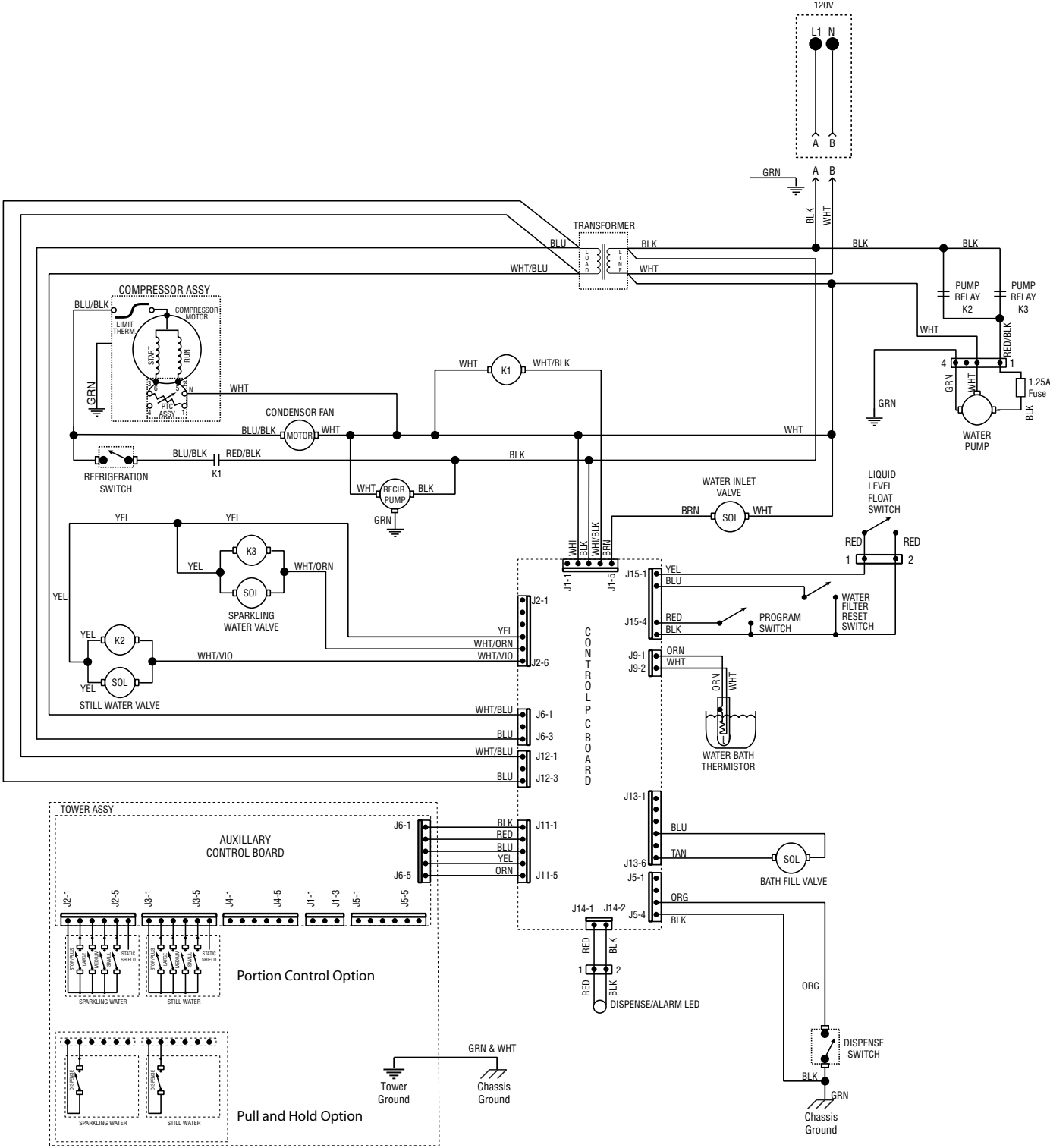
Daily:

1. Wipe splash panel, areas around dispense nozzle with a clean, damp cloth.
2. Wipe external surfaces with a clean, damp cloth.

Monthly: Clean Condenser Coils and Air Filter:

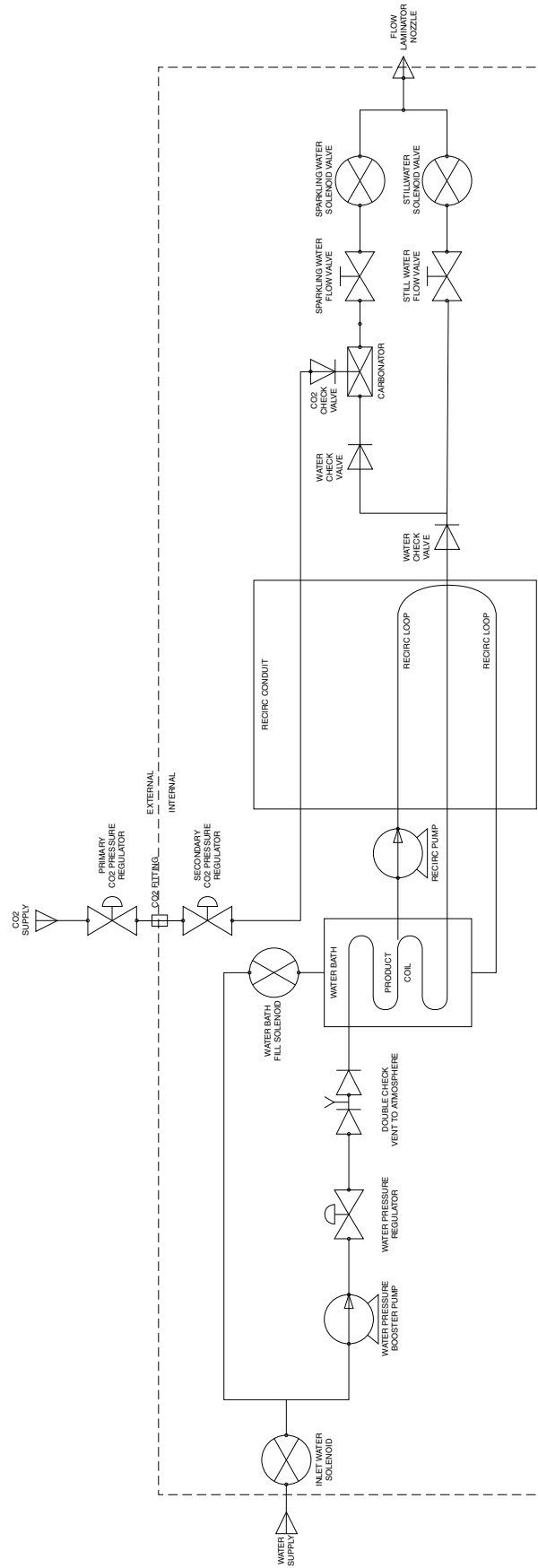
1. Removable air filter can be cleaned in warm soapy water.
2. Use a soft bristle brush to clean the build up of dirt in the condenser.

ELECTRICAL WIRING SCHEMATIC DIAGRAM

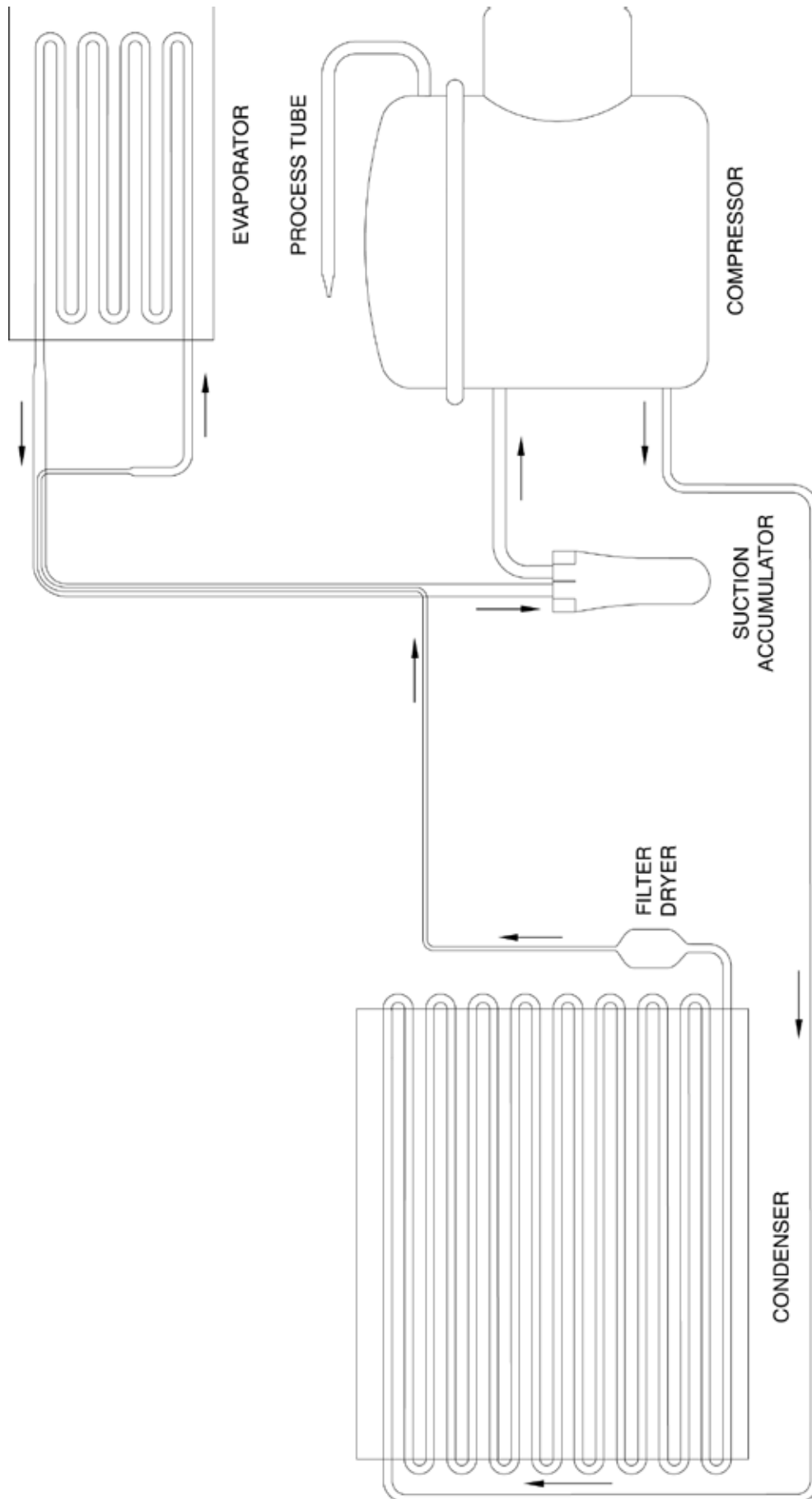


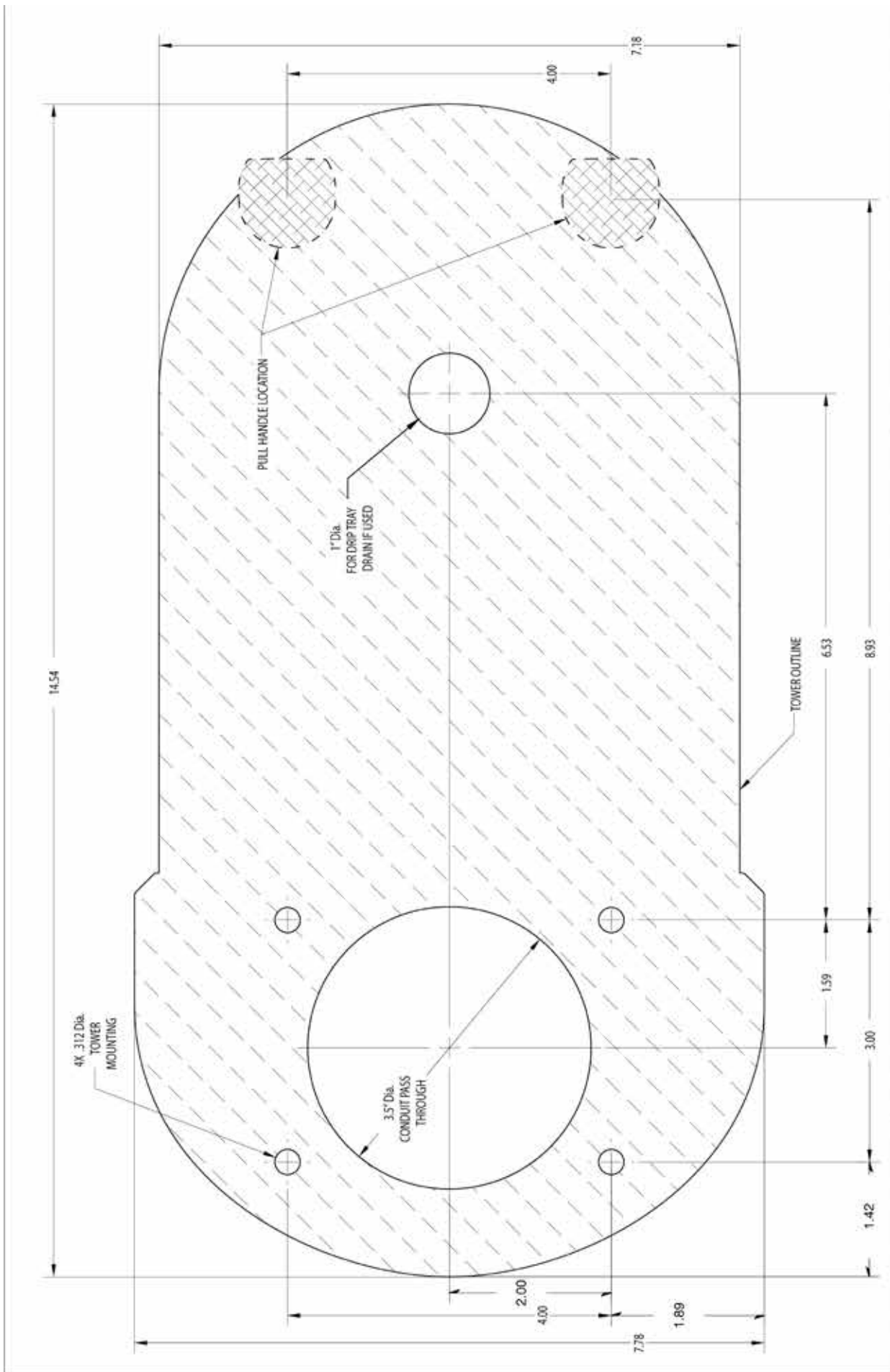
**120 VOLTS AC
SINGLE PHASE**

PLUMBING SCHEMATIC DIAGRAM

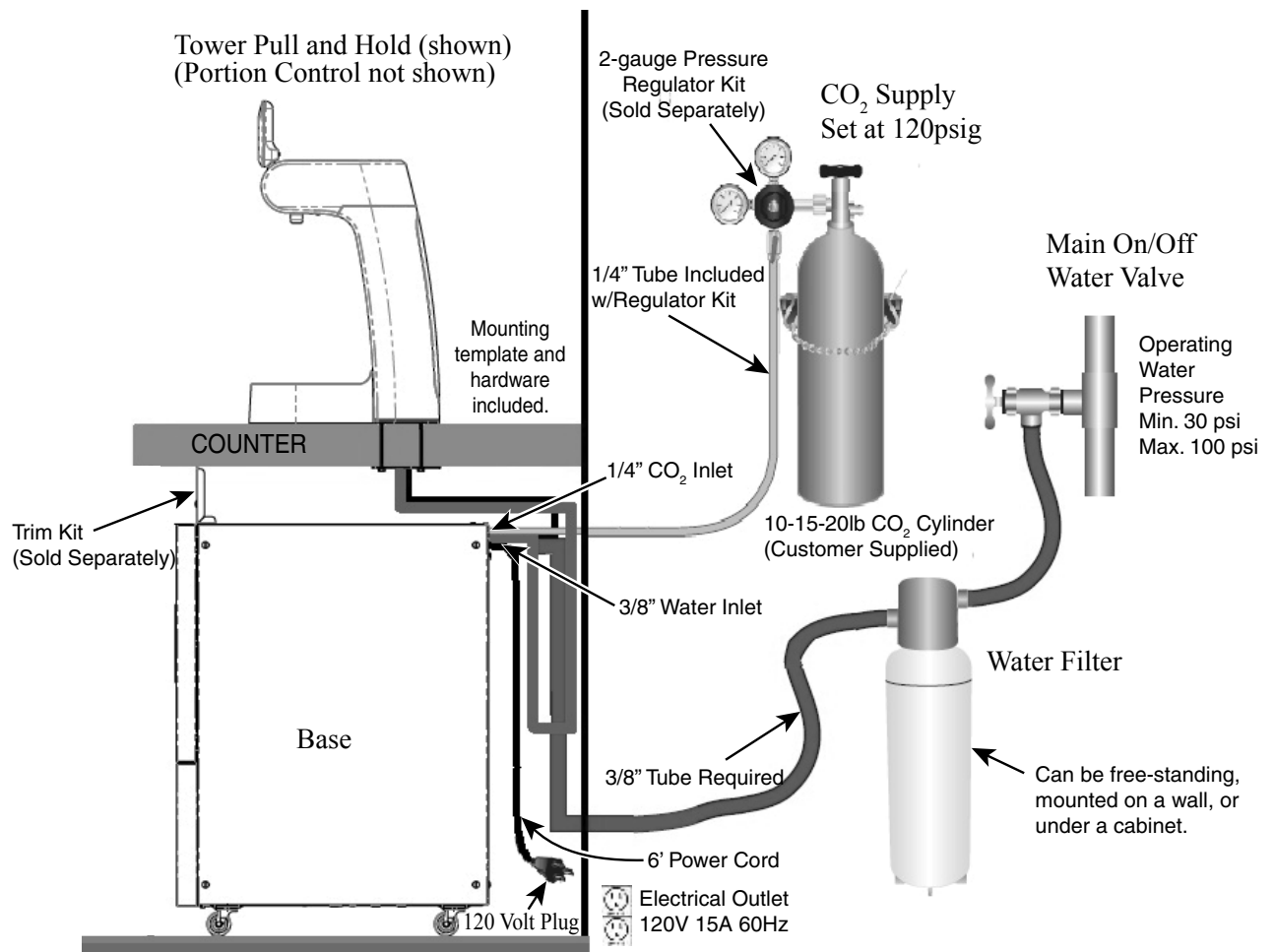


COOLANT SCHEMATIC DIAGRAM





BUNN refresh Install Pictorial



NOTE: For proper air circulation and functionality, leave 6" of clearance across the lower front of the machine.

Electrical

- The 120V rated dispensers have an attached cord set and require a 2-wire, grounded, individual branch circuit rated 120 volts AC, 15 amp, single phase, 60Hz. The mating connector must be a NEMA 5-15R.

Plumbing

- Cold water with an operating pressure between 30 - 100 psig.
- Minimum flow rate 3/0 fluid ounces.
- Dispenser water connection is a 3/8" male flare adapter fitting with gasket.

Water Filter

- Water filter fittings are 3/8" barb to NPT.
- Minimum 5 gallon purge before final connection to the dispenser.
- Filter cartridge replaced every 4500 gallons or semi-annually. Record install date.

CO₂

- Cylinder needs to be secured in an upright position.
- Located in a cool well ventilated area.
- Protect cylinder from sunlight when ambient temperature exceeds 52° C/125° F.
- If required, use a fiber or nylon gasket to seal the primary CO₂ pressure regulator to the cylinder.
- Set cylinder pressure regulator to 120 psig.