



## ILLUSTRATED PARTS CATALOG

Designs, materials, weights, specifications, and dimensions for equipment or replacement parts are subject to change without notice.

**Bunn-O-Matic Corporation**  
Post Office Box 3227, Springfield, Illinois 62708-3227  
Phone (217) 529-6601 | Fax (217) 529-6644

## **Sure Immersion Product Warranty**

Warranty statements and information can be found on our website. Please visit <https://commercial.bunn.com/support/warranty-lookup> for further details.

## TABLE OF CONTENTS

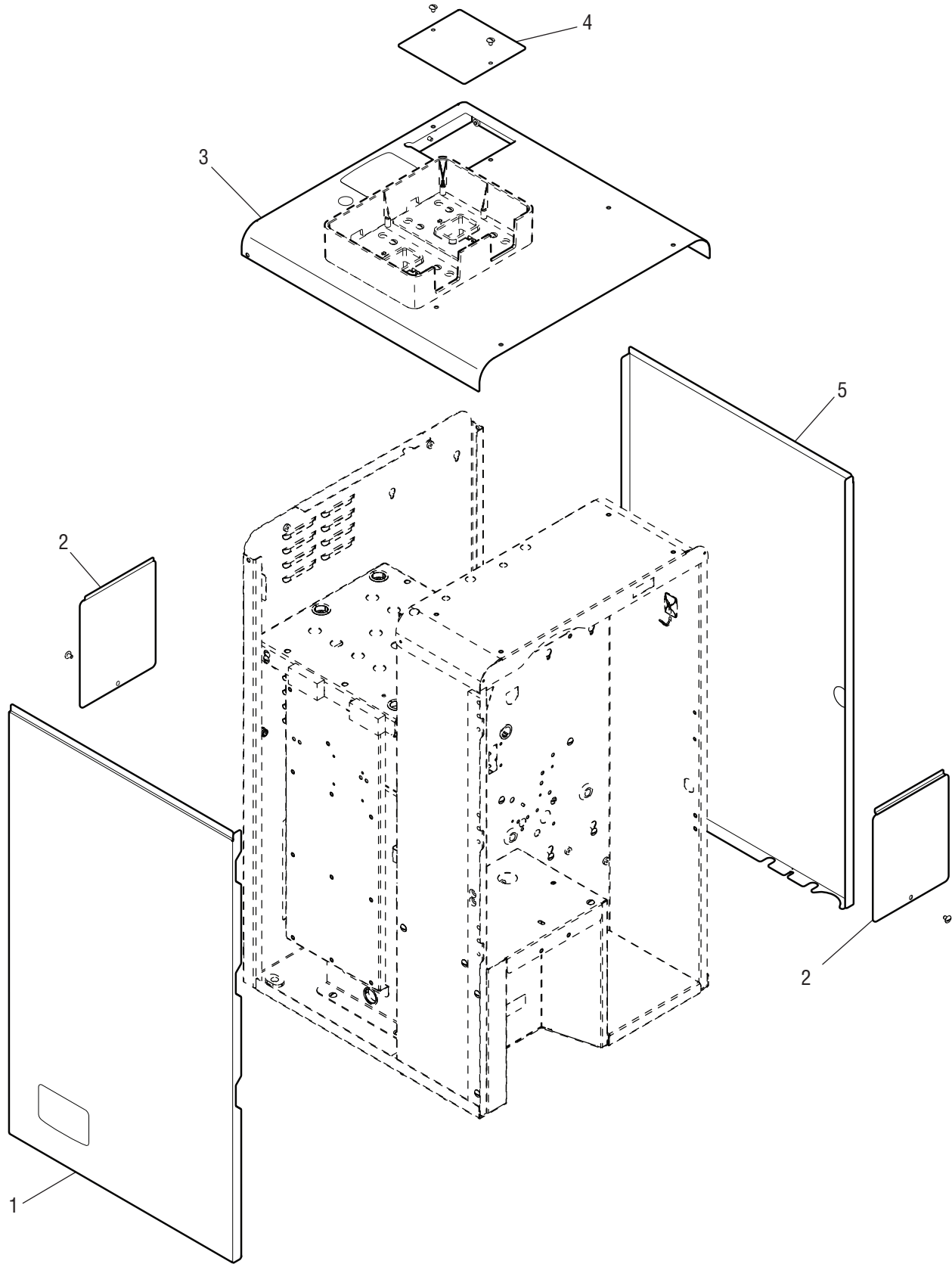
EXTERIOR COMPONENTS .....	4
DOOR COMPONENTS .....	8
DECALS .....	14
GRINDER COMPONENTS.....	16
BREW ARM COMPONENTS .....	18
PAPER PATH - TAKEUP DRIVE COMPONENTS .....	20
BREW COMPONENTS .....	22
VACUUM COMPONENTS EARLY & LATER STYLE .....	24
WATER TANK COMPONENTS.....	28
WATER VALVE COMPONENTS .....	30
WATER HOSE COMPONENTS .....	32
ELECTRICAL COMPONENTS.....	36
KITS (including Preventive Maintenance) .....	41

**To search this document electronically, press “control” + “F” (on P.C.) or “command” + “F” on Mac, then type in description or part number, press “enter”.**



# EXTERIOR COMPONENTS

SI 220

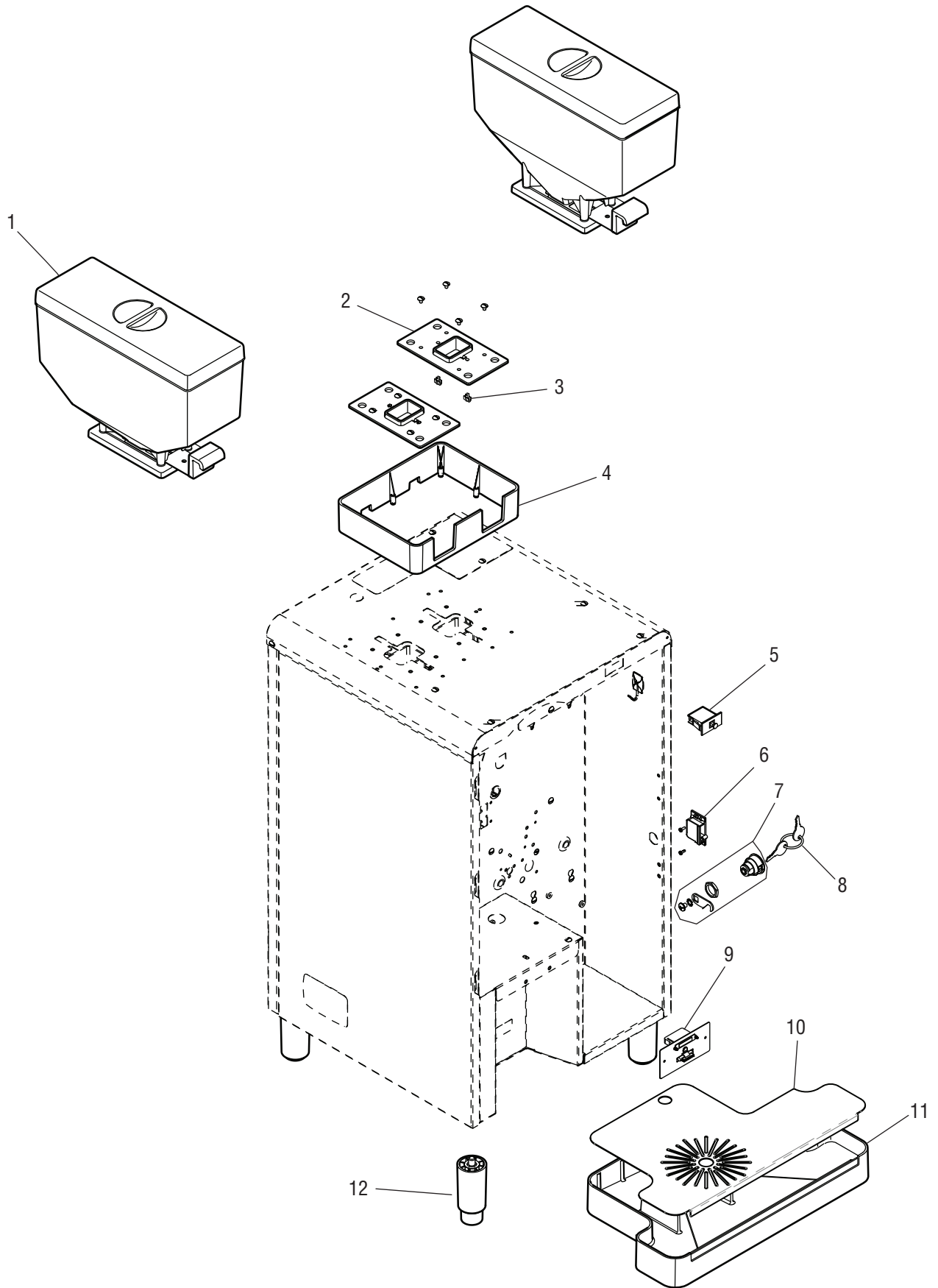


EXTERIOR COMPONENTS			
ITEM	PART NO.	QTY.	DESCRIPTION
1	50786.1001	1	Panel, Left Side w/Warning Decal
2	50505.0015	2	Panel, Access Chassis
3	51163.1000	1	Top, Panel w/Warning Decal
4	51371.0000	1	Panel, Tank Access
5	50785.1001	1	Panel, Right Side w/Warning Decal



# EXTERIOR COMPONENTS

SI 220

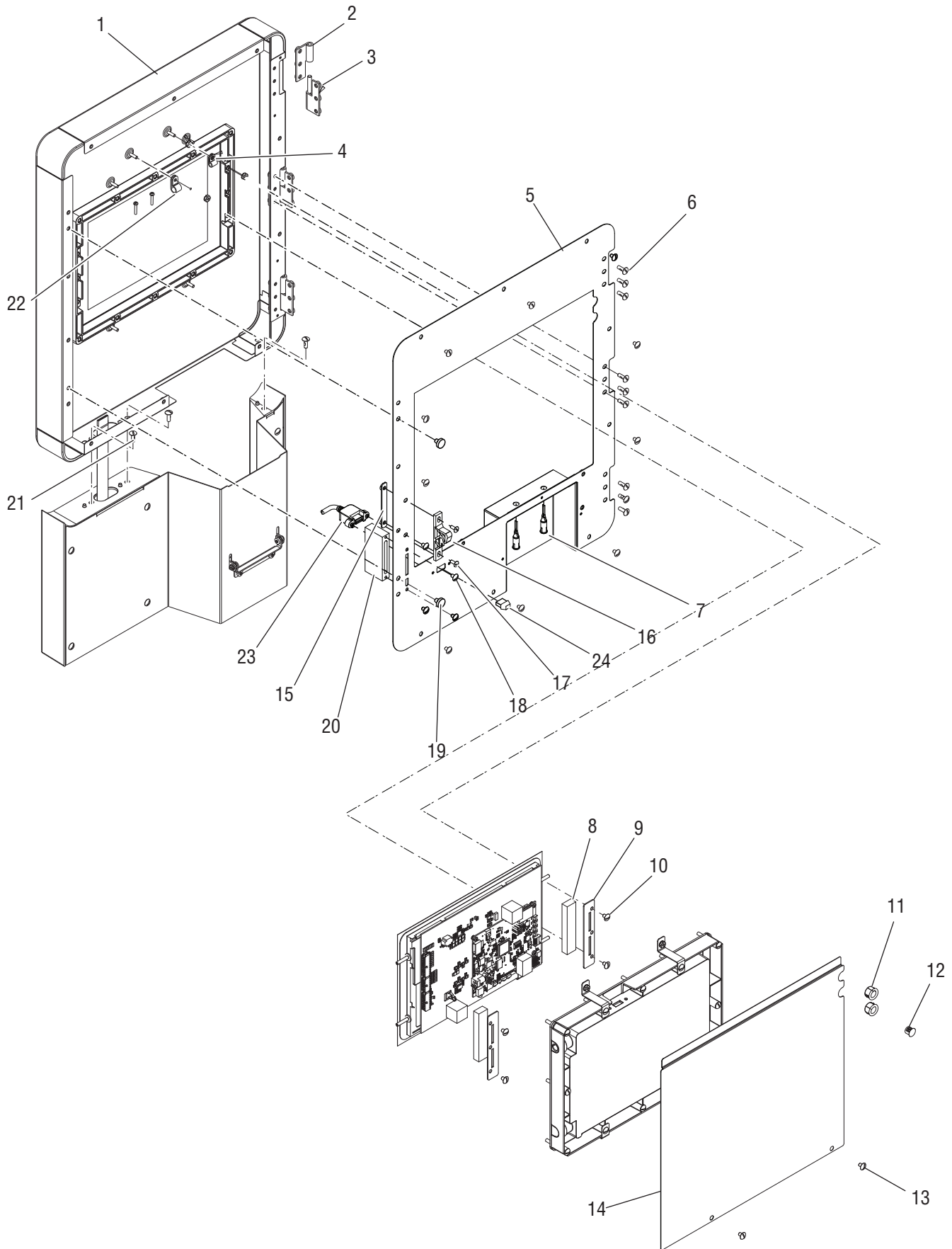


EXTERIOR COMPONENTS			
ITEM	PART NO.	QTY.	DESCRIPTION
1	50810.1003	2	Assembly, Bean Hopper
2	51097.0001	2	Chute, Bean Hopper Short
3	53593.0000	4	Retainer, LED Snap
4	51368.0000	1	Shroud, Hopper
5	50573.0001	1	Switch, Door Interlock
6	34666.0000	1	Catch, Door Latch 3LB
7	34472.1001	1	Lock Assembly
8	28095.0000	1	Key
9	25899.0000	1	Catch, Magnetic Snap-In
10	51221.0001	1	Cover, Drip Tray
11	51220.0000	1	Drip Tray
12	47978.1001	4	Kit, Housing, Leg



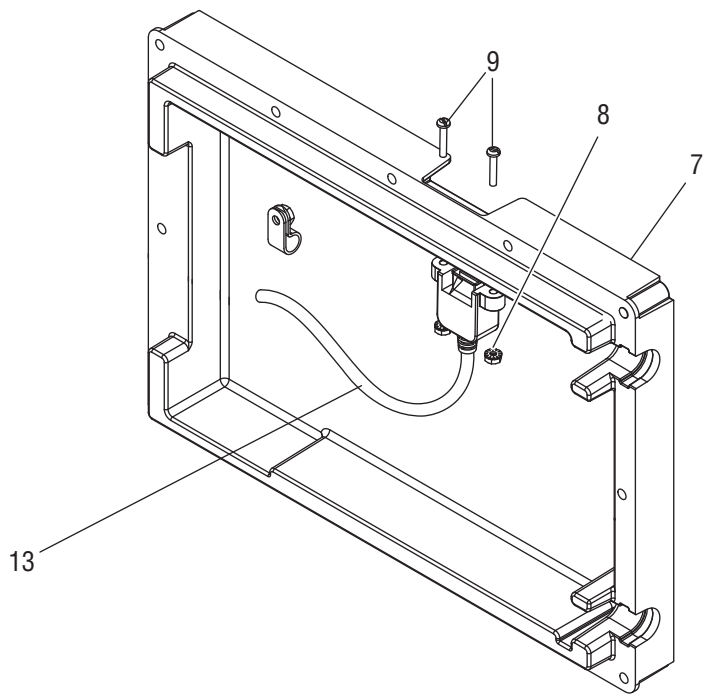
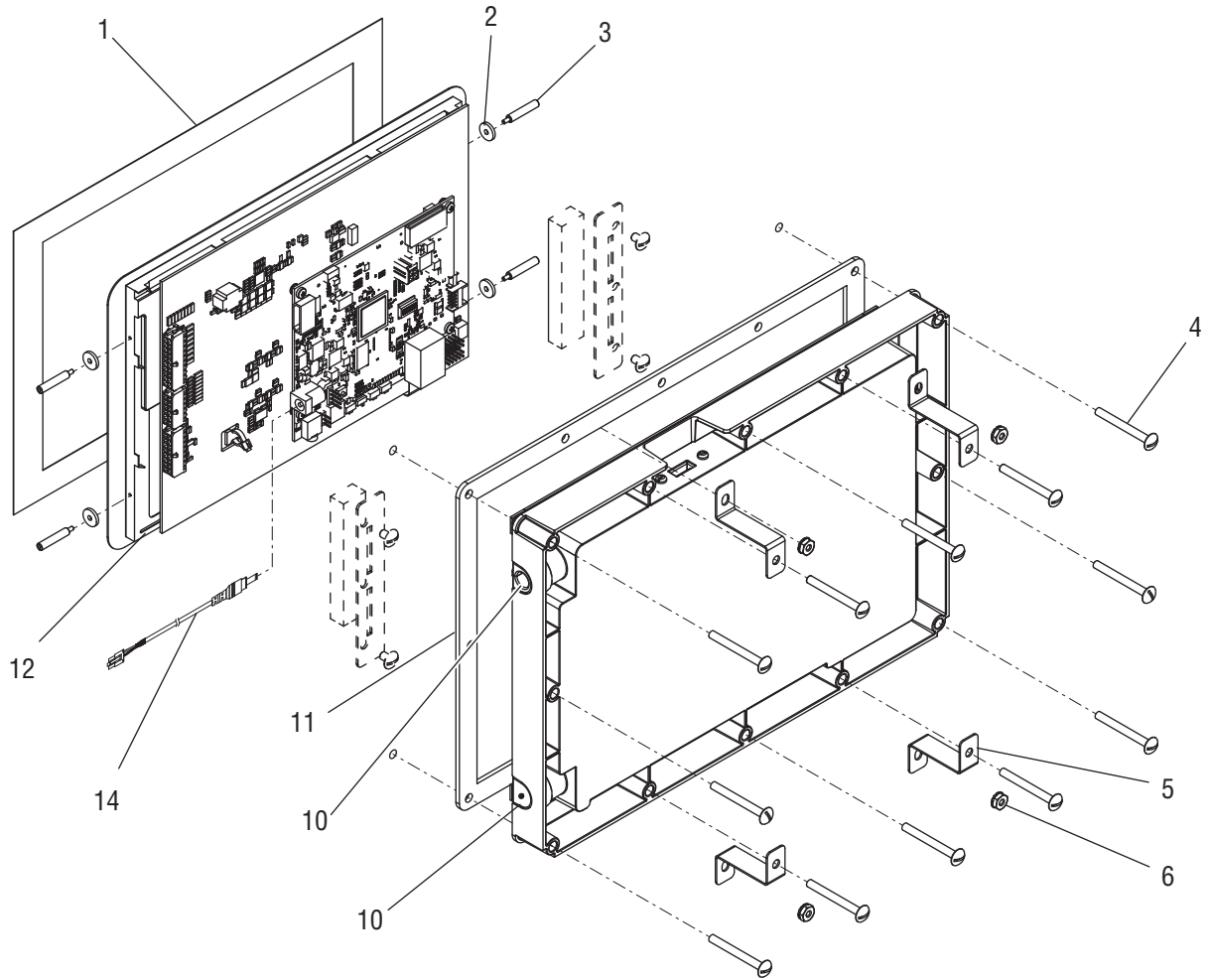
# DOOR COMPONENTS

SI 220



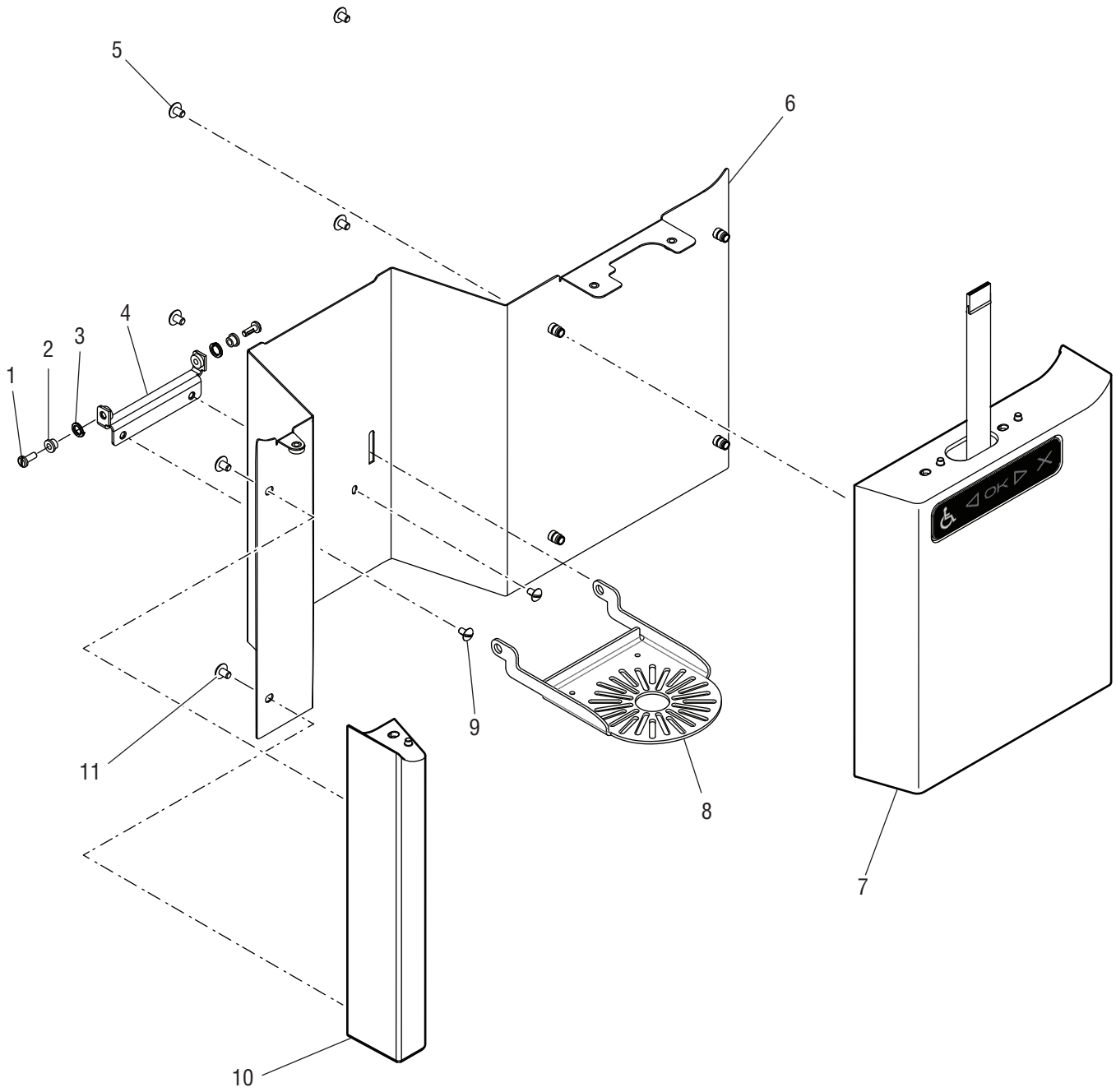
## DOOR COMPONENTS

ITEM	PART NO.	QTY.	DESCRIPTION
1	51980.0000	1	Door Assy, Bezel and Door
2	51187.0000	3	Hinge WLD, Female
3	51191.0000	3	Hinge WLD, Male
4	47318.0000	1	Clamp, Cable Nylon .188 ID
5	51666.0001	1	Panel WLD, Door Rear
6	01317.0001	9	Screw, SST 8-32 x .5" Lg
7	36903.0001	2	LED Assy, White w/terminals
8	52687.0000	2	Foam, Natural Gum Self Adhesive
9	51161.0000	2	Plate, Touchscreen Retainer
10	01311.0000	4	Screw, SST 8-32 x .25" Lg
11	00614.0001	2	Bushing, OCB-562 Nylon Black .390" ID
12	00669.0007	1	Plug, Hole - Nylon Black .375" Hole Dia.
13	01311.0000	2	Screw, SST 8-32 x .25" Lg
14	51162.0000	1	Panel, Door Rear Access (Sure Immersion)
15	50838.0000	1	Plate WLD, Latch B2CSS
16	34667.0000	1	Keeper, Door Latch
17	01347.0000	2	Screw, SST 6-32 x .38" Lg
18	01311.0001	12	Screw, SST 8-32 x .25" Lg
19	14002.6701	2	Foot, Black EPDM
20	53340.0000	1	Closure, Lock Block
21	01317.0001	3	Screw, SST 8-32 x .50" Lg
22	36484.0000	1	Clamp, Cable - Nylon Wht .325
23	54498.0000	1	Cable, USB
24	45250.0000	1	Plug, USB Port



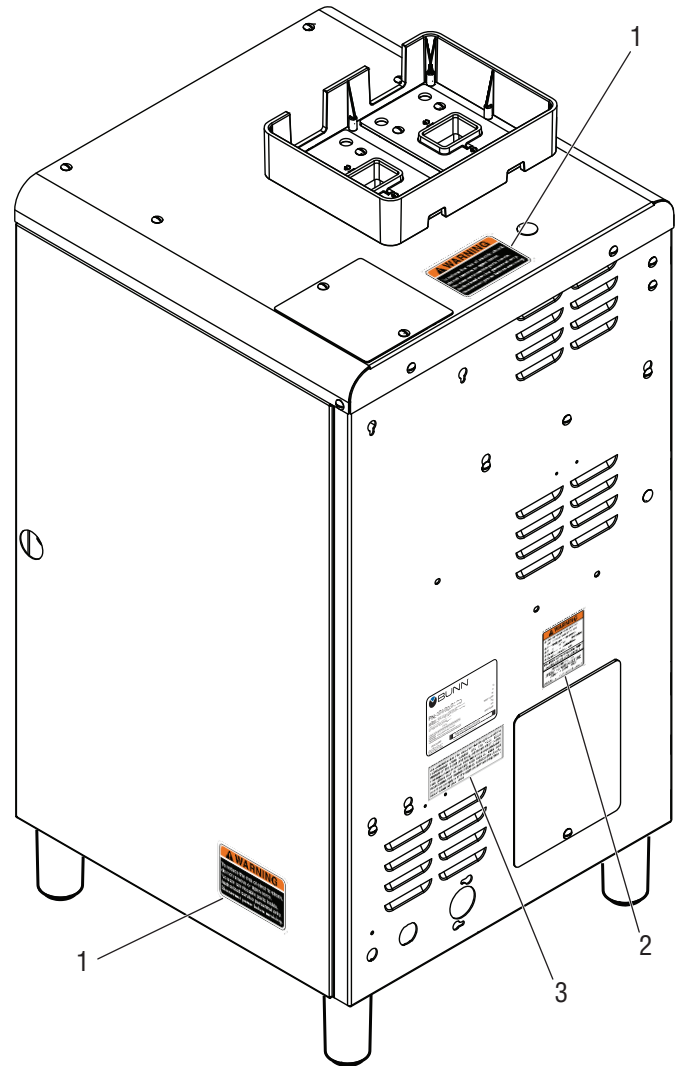
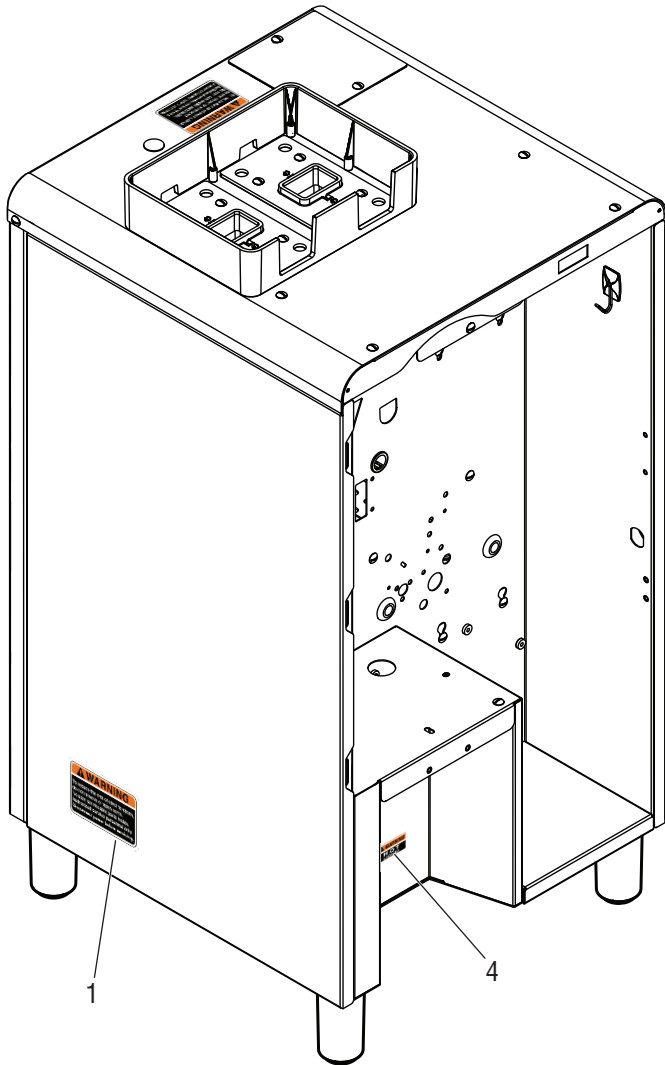
## DOOR COMPONENTS - continued

ITEM	PART NO.	QTY.	DESCRIPTION
1	50772.0001	1	Gasket, Interfacial
2	01525.0000	4	Washer, Polthan Retainer 4-40 SCR
3	51173.0000	4	Standoff, Male Metric M2 x 0.4 Round
4	01384.0000	12	Screw, Slotted SST 8-32 x 1.5" Lg
5	51537.0000	4	Bracket, Rear Cover Retainer
6	00973.0001	4	Nut, Keps 6-32 SST Passivate
7	50774.1002	1	Cover Assy, Rear Touchscreen
8	27433.0000	2	Nut, Keps 4-40 Zinc Pltd
9	01304.0001	2	Screw, PNHD SLTD SST 4-40 x .62" Lg
10	51255.0002	2	Grommet, Wire - Slitted
11	50773.0001	1	Gasket, Rear
12	50775.1003	1	Assembly, Touchscreen (Includes Cables)
13	54498.0000	1	Cable, USB
14	50775.0011	1	Cable, Power



## DOOR COMPONENTS - continued

ITEM	PART NO.	QTY.	DESCRIPTION
1	02367.0000 00991.0002	2 2	Screw, 6-32 x .375" Lg Nut, Elastic Lock #6-32 SST
2	21438.0001	2	Washer, Shoulder-Nylon .144 ID
3	25292.0001	2	Lockwasher, M8
4	51920.0000	1	Bracket Wldmt, Flip Tray Mtg
5	01311.0001	4	Screw, SST 8-32 x .25" Lg
6	51722.0003	1	Panel, Splash
7	52993.1000	1	Assembly, ADA Lower Door Panel
8	52726.0000	1	Tray, Flip
9	01308.0003	2	Screw, Blk 6-32 x .25" Lg
10	51720.0000	1	Assy, Front Door Splash Insert
11	01311.0001	2	Screw, SST 8-32 x .25" Lg



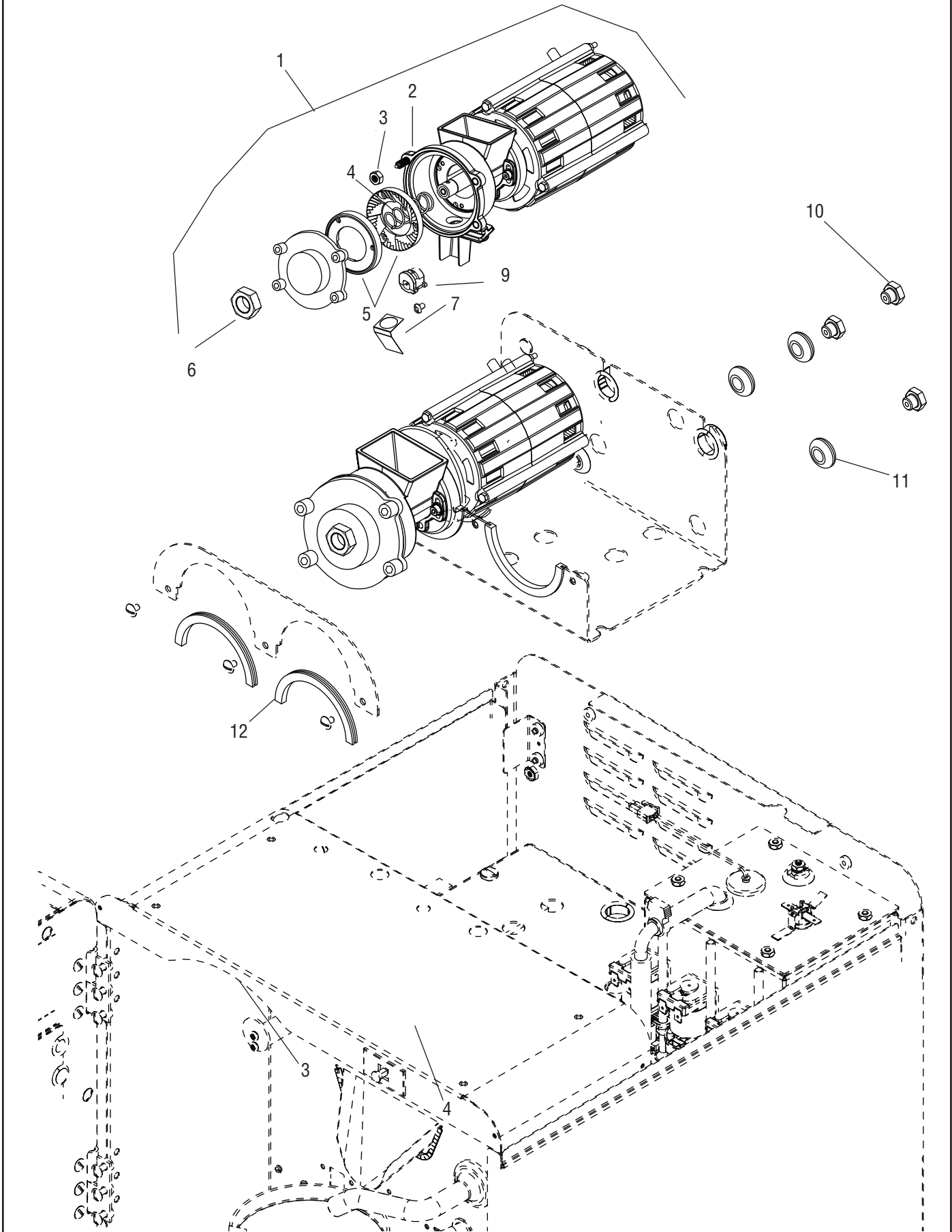
EXTERIOR COMPONENTS - DECALS

ITEM	PART NO.	QTY.	DESCRIPTION
1	37881.0000	3	Decal, Warning No Service Parts
2	00986.0000	1	Decal, Warning Electrical
3	00656.0001	1	Decal, Comply To Plumbing Code
4	35710.0000	1	Decal, Warning Hot Liquids



# GRINDER COMPONENTS

SI 220



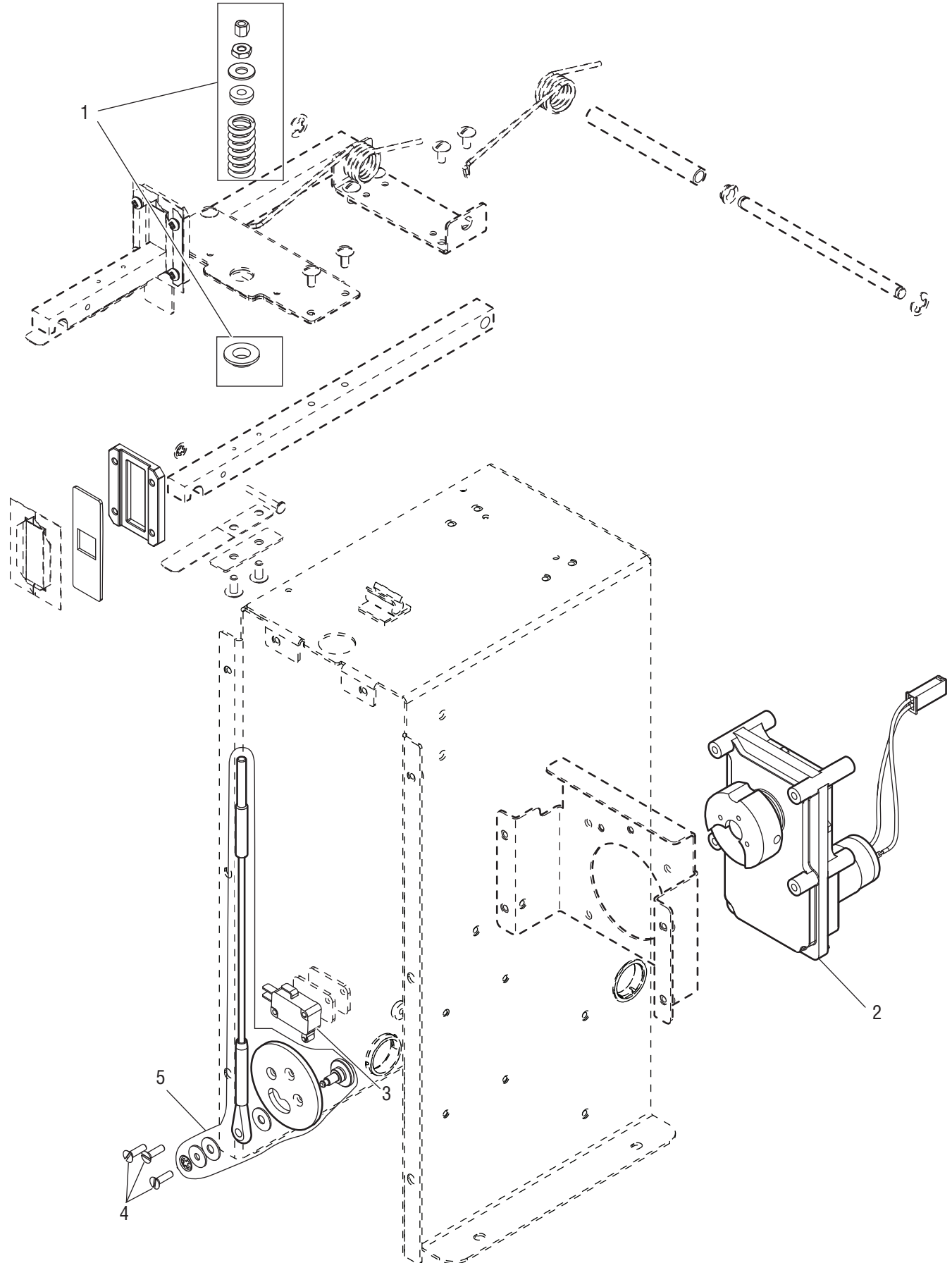
## GRINDER COMPONENTS

ITEM	PART NO.	QTY.	DESCRIPTION
1	<a href="#">52369.0000</a>	1	Kit, Grinder/120V (includes capacitor)
	<a href="#">50811.0103</a>		Capacitor, 45MF 440V for 120V machines
2	52980.0000	1	Plunger, Spring M6 x 1.0
3	<a href="#">52981.0000</a>	1	Nut, Hex M6 SST
4	<a href="#">50811.0101</a>	1	Auger Wire, EMH-54
5	<a href="#">50811.0102</a>	2	Grinding Burrs, Set - 54mm Steel
6	<a href="#">50811.0106</a>	1	Nut, Hex M16 x 1.0
7	<a href="#">50811.0100</a>	1	Flapper, Coffee Dechaffer
9	<a href="#">47280.0001</a>	1	Bushing, Strain Relief
10	<a href="#">50555.0001</a>	6	Shoulder Nut, M4 x .7
11	<a href="#">02536.0000</a>	6	Grommet, Silicone - .357 ID
12	51263.0001	4	Gasket, U-Chanel .06 Slot,
13	<a href="#">50811.0102</a>	2	Set, Grinding Burrs, 54mm Steel (not illustrated)
14	<a href="#">50811.0101</a>	2	Auger Wire, EMH-54 (not illustrated)
15	<a href="#">50811.0100</a>	2	Flapper, Coffee Dechaffer (not illustrated)
16	<a href="#">50811.0103</a>	2	Capacitor, 45MF 440V (not illustrated)



# BREW ARM COMPONENTS

SI 220



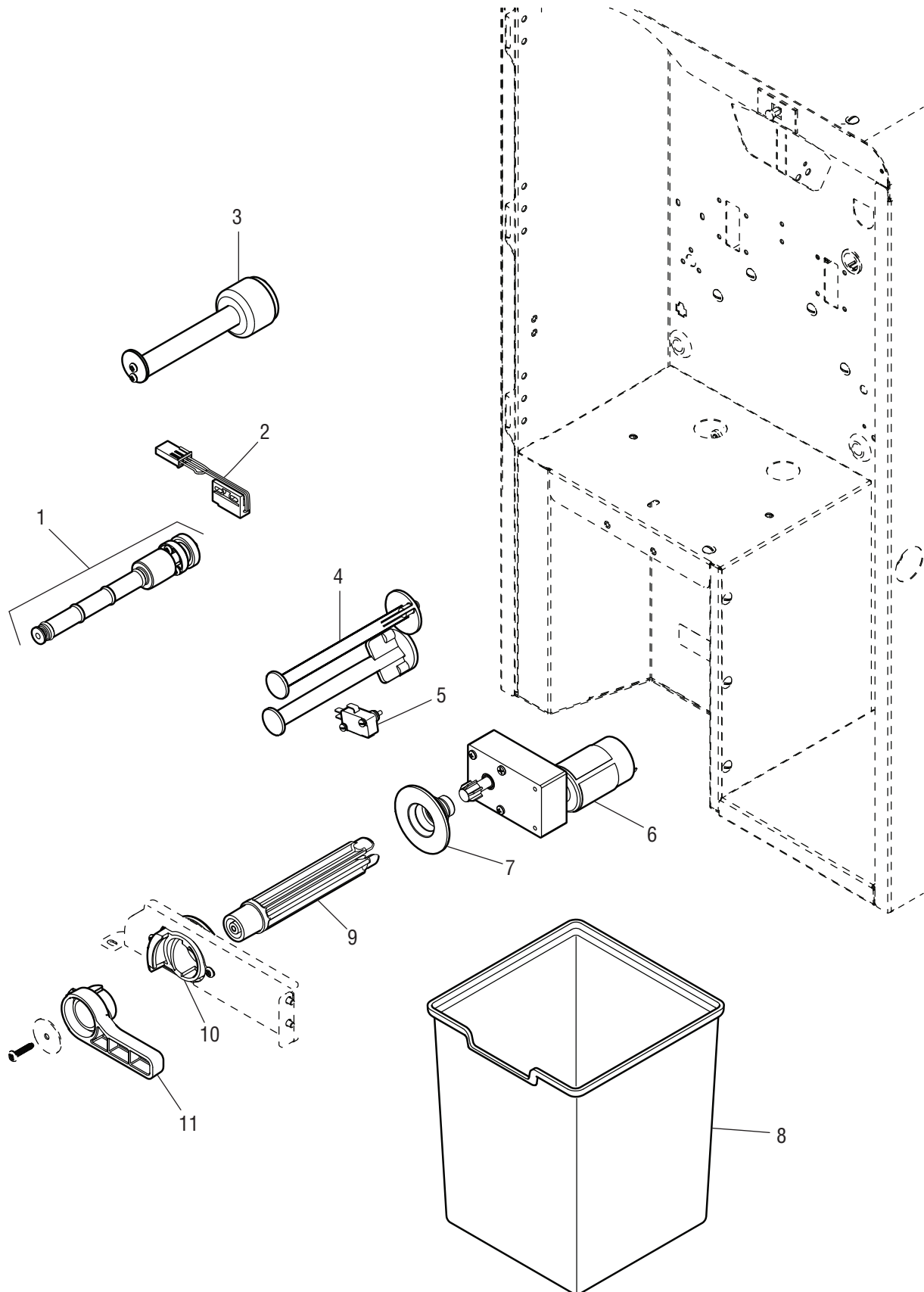
## BREW ARM COMPONENTS

ITEM	PART NO.	QTY.	DESCRIPTION
1	<a href="#">50954.1000</a>	1	Kit, Brew Arm Torsion Hardware
2	<a href="#">53663.0000</a>	1	Cam Motor Sub Assembly
3	<a href="#">25977.0000</a>	1	Roller Switch
4	<a href="#">01345.0003</a>	3	Screw, Flat Head 6-32
5	<a href="#">52601.1001</a>	1	Kit, Cam Wheel Assembly



# PAPER PATH - TAKEUP DRIVE COMPONENTS

SI 220



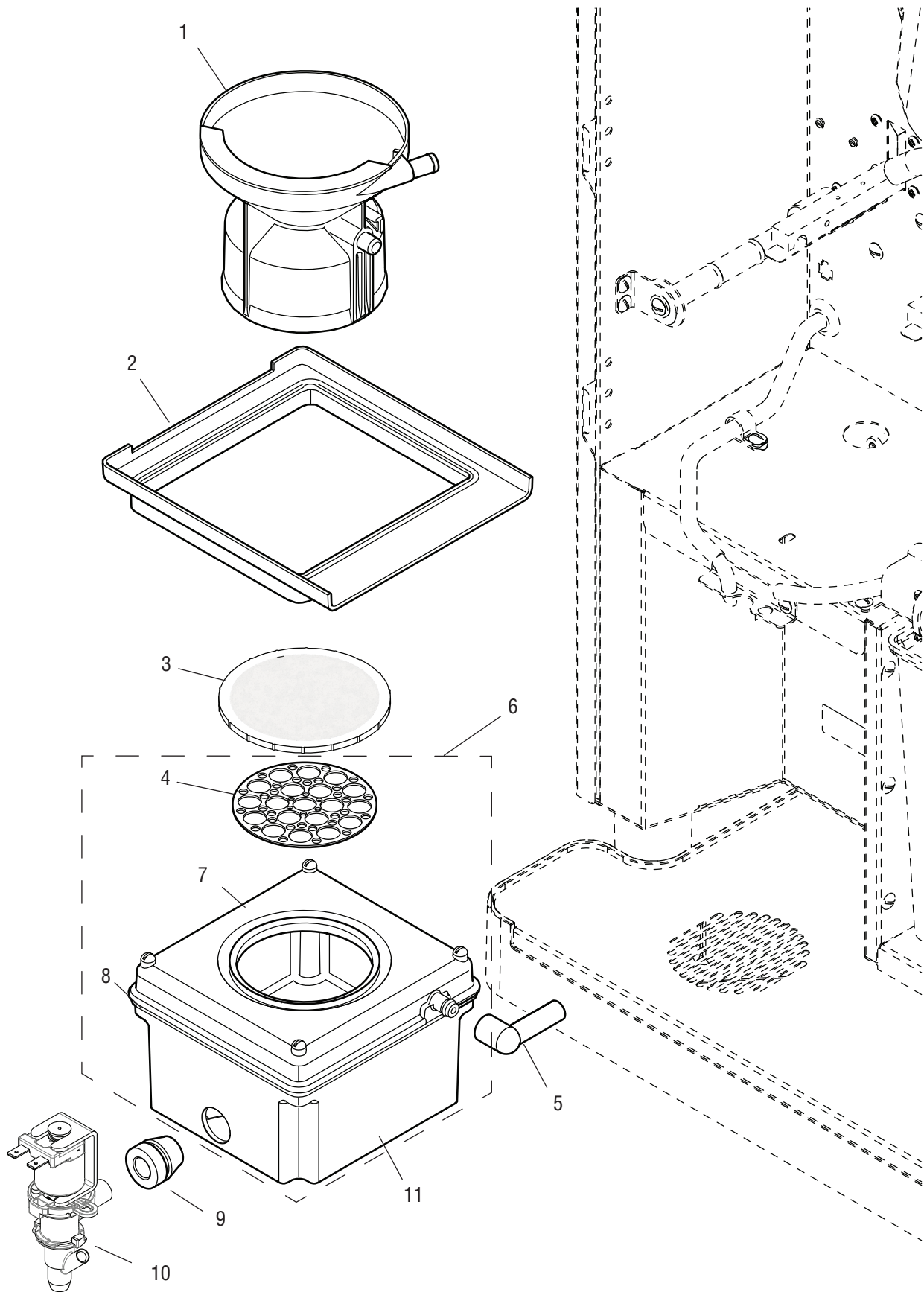
## PAPER PATH - TAKEUP DRIVE COMPONENTS

ITEM	PART NO.	QTY.	DESCRIPTION
1	51268.1060	1	Kit, Paper Counter Roller
2	51321.1030	1	Bracket Assy, RPM Sensor
3	51623.1001	1	Kit, Holder Assembly, Paper Roll
4	50784.0000	2	Guide, Paper
5	25977.0000	1	Switch, Roller
6	43583.1001	1	Kit, Gear Motor, 24VDC 100RPM
7	52637.0000	1	Bushing, Paper Drive Back
8	51125.0000	1	Bin, Grounds
9	52639.1000	1	Shaft, Paper Drive
10	52635.0000	1	Bushing, Paper Drive Front
11	52634.0000	1	Handle, Paper Drive



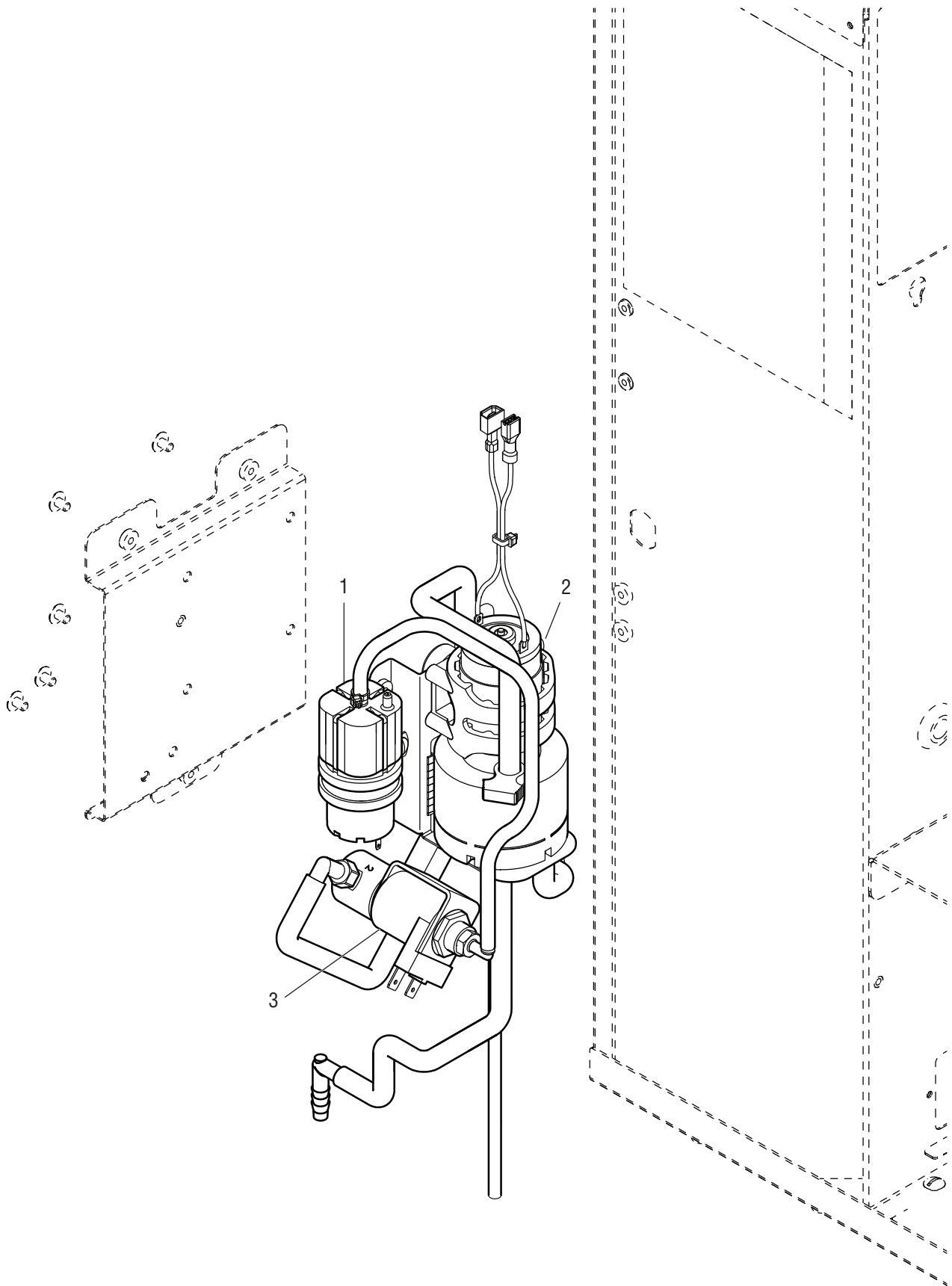
# BREW COMPONENTS

SI 220



## BREW COMPONENTS

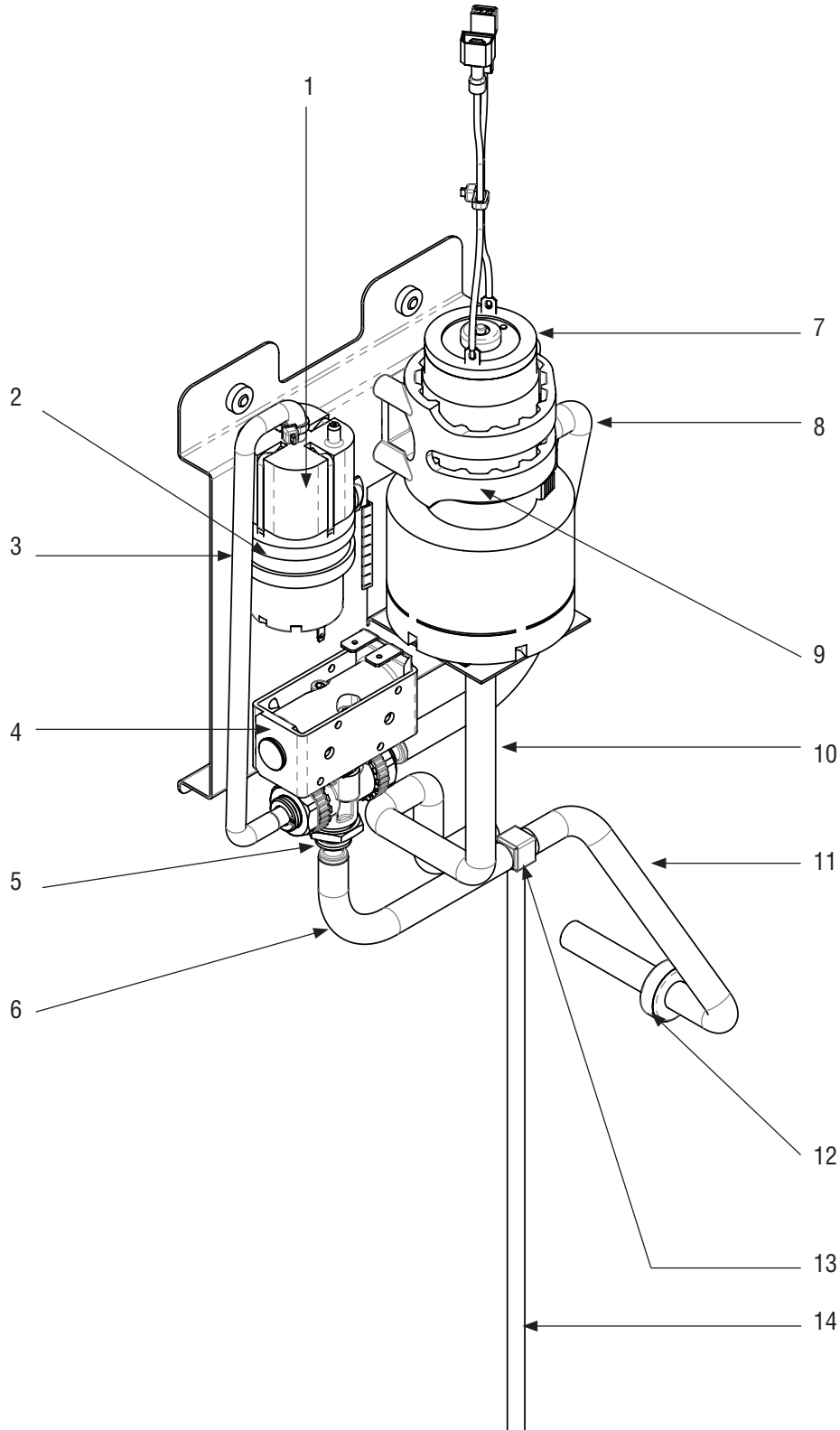
ITEM	PART NO.	QTY.	DESCRIPTION
1	50203.0001	1	Brew Funnel Assembly
2	51777.0000	1	Grounds Tray
3	51241.0002	1	Gasket Assy., Vacuum Box
4	50320.0000	1	Plate, Vacuum Box
5	51527.0001	1	Connector, Brew Box Tube
6	54171.1010	-	Kit, Brew Box Assembly (includes items 7 & 8)
7	50317.0004	1	Cover, Vacuum Box
	01320.0000	4	Screw, RDH SLTD 8-32x1.0" SST
8	50321.0001	1	Gasket, Vacuum Box
	51241.1002	-	Kit, Brew Box Rebuild (includes items 3 & 9 )
9	49937.0000	1	Grommet, Dispense Valve
10	49936.0002	1	Coffee Dispense Valve
	49936.0010	-	Kit, Coffee Dispense Valve Rebuild
11	50176.0011	1	Assembly, Vacuum Box



VACUUM COMPONENTS - EARLY STYLE

ITEM	PART NO.	QTY.	DESCRIPTION
1	50854.1101	1	Kit, Pump Assembly, Air Pump
2	51994.0000	1	Vacuum Pump
3		1	3-Way Valve Assembly (Order Item 5)
4	42780.0000	1	Reducer, Barb .25 x .188 (Not Illustrated)
5.	58679.1001	1	Kit, Valve Solenoid 24V, 3/2 Way (See Later Style Pictorial)
		1	Bracket Wldmt, Mini/Vac/Valve
		1	Valve, Solenoid 24v 3/2 Way
		1	Adapter, 6mm x .125 Barb AVSRROMER
		2	Fitting, 6mm PPSU Tube 4mm ID
		2	Screw, Hex Crimptite"ab"#6x.25
		2	Gasket, PVC Foam w/Adh 1.25"Lg
		2	Edging, Adh Lined 1.25"Lg

Included in Item 5



## VACUUM COMPONENTS - LATER STYLE

ITEM	PART NO.	QTY.	DESCRIPTION
1.	50854.1101	1	Kit, Pump Assembly, Air Pump
2.	40935.1000	1	Kit, Loop Clamp 1.00" w/Nut
	01318.0000	1	Screw, RDH SLTD 8-32x.50
3.		-	Tube ,Slcn-Trans .125id x 8.5 Lg (Order Item 16)
4.	58679.0000	1	Valve, Solenoid 24v 3/2 Way
5.	53408.0001	2	Fitting, 6mm PPSU Tube 4mm ID
6.		-	Tube, Silicone-.188ID x 6.0 lg (Order Item 15)
7.	51994.0000	1	Vacuum Pump
8.		-	Tube, Silicone-.188ID x 12" (Order Item 15)
9.	47462.0000	1	Saddle, Water Pump Motor
10.		-	Tube, Silicone-.188ID x 8.0 Lg (Order Item 15)
11.		-	Tube, Silicone-.188ID x 4.5" (Order Item 15)
12.	50589.0000	1	Filter In-Line, 250 Mesh
13.	41089.0000	1	Tee, .188x.188x.125 Polypropyl
14.		-	Tubing, Sil Pt .094ID X .219OD X 21Lg (Order Item 17)

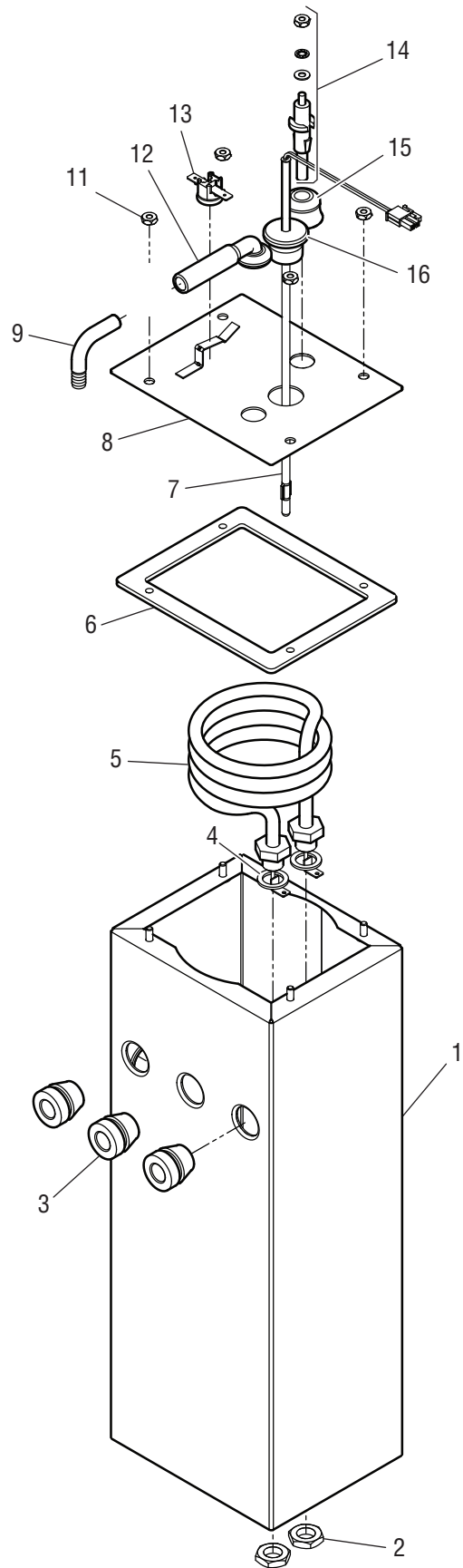
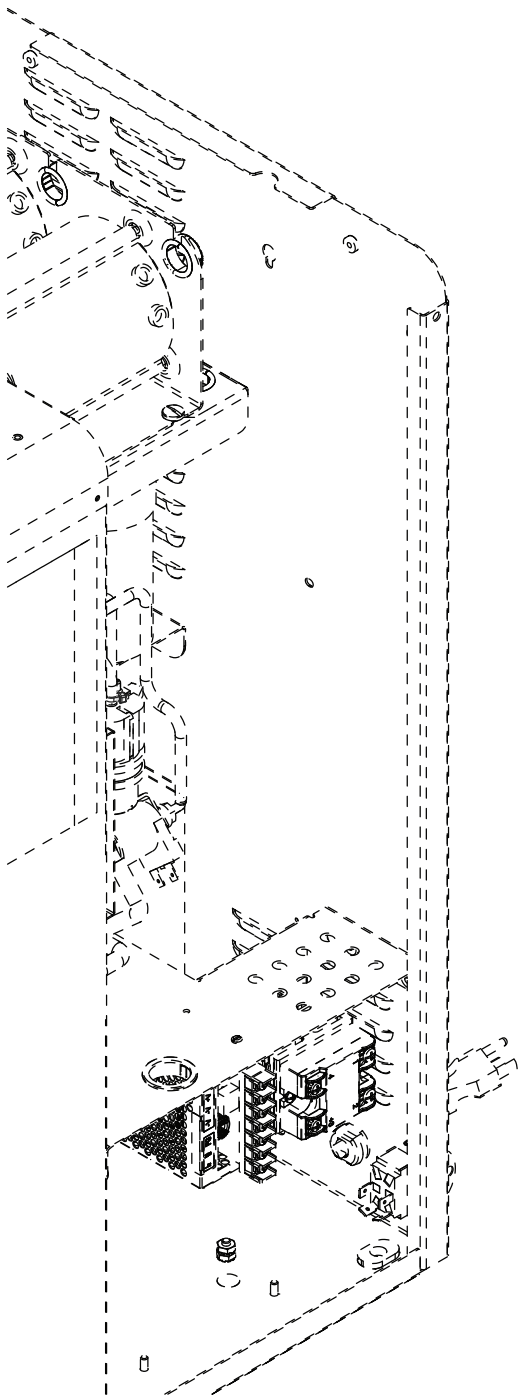
**The following items are not illustrated**

15.	42916.1000	-	Kit, Slcn-Trans Tube 12.0" Lg
	42916.1001	-	Kit, Slcn-Trans Tube 36.0" Lg
	42916.1002	-	Kit, Slcn-Trans Tube 120.0" Lg
16.	42918.1000	-	Kit, Slcn Tube .125 ID x 1 Ft
	42918.1001	-	Kit, Slcn Tube .125 ID x 3 Ft
	42918.1002	-	Kit, Slcn Tube .125 ID x 10 Ft
17.	51571.1000	-	Tubing, Sil Pt .094 ID x .219 OD x 12 Lg
	51571.1001	-	Tubing, Sil Pt .094 ID x .219 OD x 36 Lg
	51571.1002	-	Tubing, Sil Pt .094 ID x .219 OD x 120 Lg



# WATER TANK COMPONENTS

SI 220



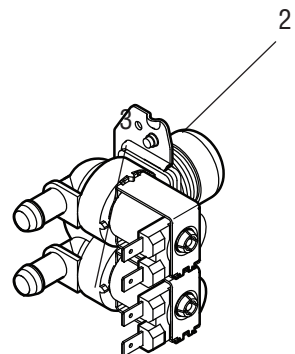
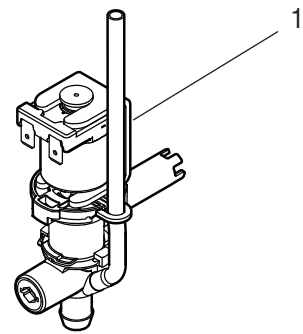
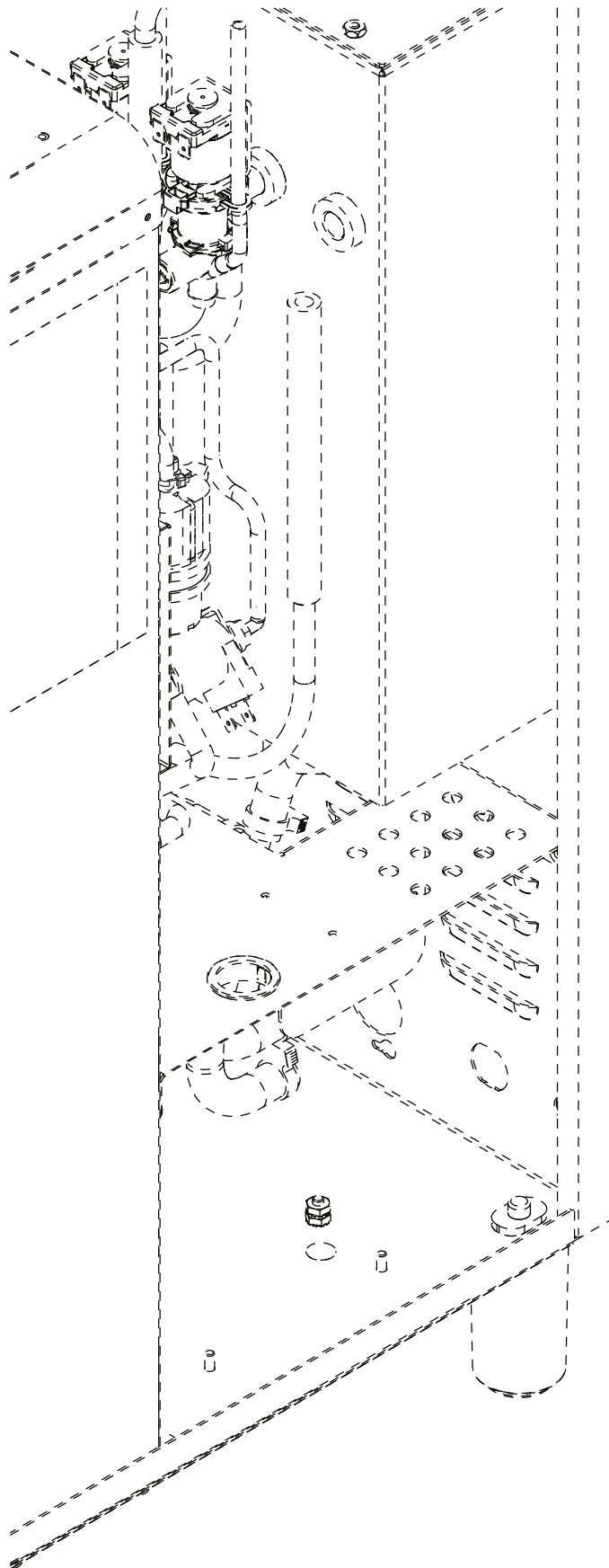
**WATER TANK COMPONENTS**  
**DESCRIPTION**

ITEM	PART NO.	QTY.	DESCRIPTION
	50841.1001	1	Kit, Complete Tank (included items 1-16)
1	50585.0001	1	Tank Weldment
2	00942.0000	2	Nut, Hex Brass - .5-20
3	39285.0020	3	Grommet, Dispense Valve - .47ID x .83 OD
4	00943.0000	2	Gasket, Tank Heater
5	02755.1002	1	Heater, Tank 1680W 120V
6	50022.0000	1	Gasket, Tank
7	39085.1002	1	Probe, Assy. Temp 10.5L
8	48533.0001	1	Tank Lid Wldmt, 4.5 x 5.5 120V
9	55744.0000	1	Fitting, Elbow .375 BARB SST F-9005
10			
11	00908.0000	4	Nut, Hex SST 8-32
12	38969.0003	1	Fitting, 90° Tank Vent Silicon
13	29329.1000	1	Thermostat, Limit-Auto Reset
14	07412.1003	1	Kit, Probe Liquid Level (1.55 L)
15	38114.0000	1	Grommet, Silicone w/Flange
16	33801.0003	1	Grommet, Tank Sensor



# WATER VALVE COMPONENTS

SI 220



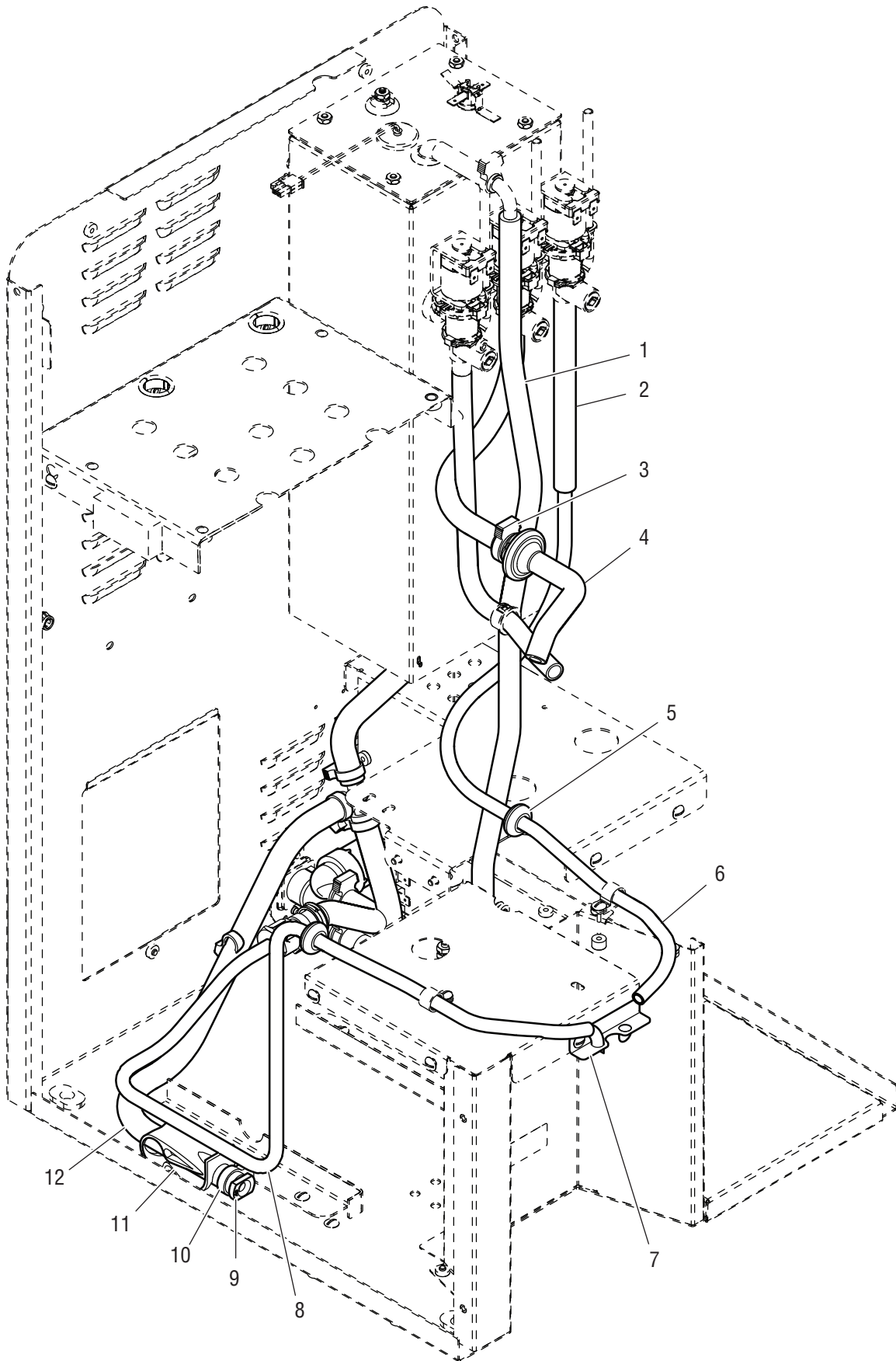
WATER VALVE COMPONENTS

ITEM	PART NO.	QTY.	DESCRIPTION
1	39285.0010	3	Dispense Valve
2	41579.0003	1	Valve Assembly w/.75 GPM Flowcontrol
	49936.0010	1	Kit, Valve Rebuild



# WATER HOSE COMPONENTS

SI 220

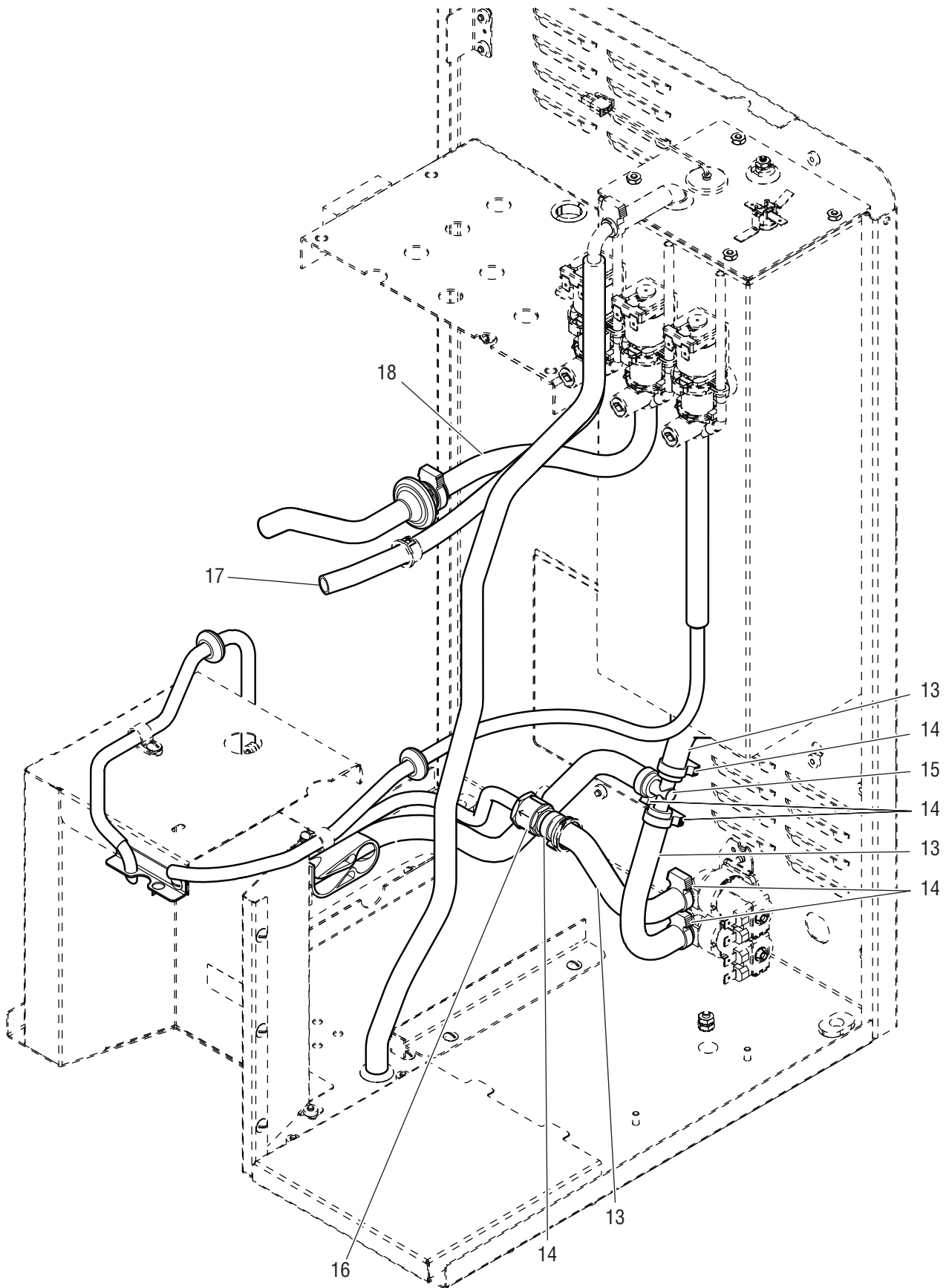


**WATER HOSE COMPONENTS**  
**DESCRIPTION**

ITEM	PART NO.	QTY.	DESCRIPTION
1		1	Tube, Silicone .313" ID x 27.5" (order item 20)
2		1	Tube, Silicone .313" ID x 6" (order item 20)
3	12422.0012	1	Clamp, Hose Snap Type 81/97ID
4	53129.0000	1	Tube, Hot Water Dispense
5	02536.0000	2	Grommet, Silicone .375 ID
6		1	Tube, Silicone 6mm ID x 9mm OD x 22.0" (order item 22)
7	50382.0001	1	Bracket Wldmt, Tube Holder
8		1	Tube, Silicone 6mm ID x 9mm OD x 32.0" (order item 22)
9	34392.0000	1	Plug, Hose .375" ID
10	12422.0001	1	Clamp, Hose Snap Type 59/66ID
11	11630.0002	1	Clamp Shut Off, Tube
12		1	Tube, Silicone .375" ID x 28.0" (order item 19)

**The following items are not illustrated**

19	20976.1001	-	Tube, Silicone .375 ID - 36"
20	28526.1001	-	Tube, Silicone .313 ID - 36"
21	41193.1001	-	Tube, Silicone .375" ID - 36"
22	50732.1001	-	Tube, Silicone 6mm ID - 36"

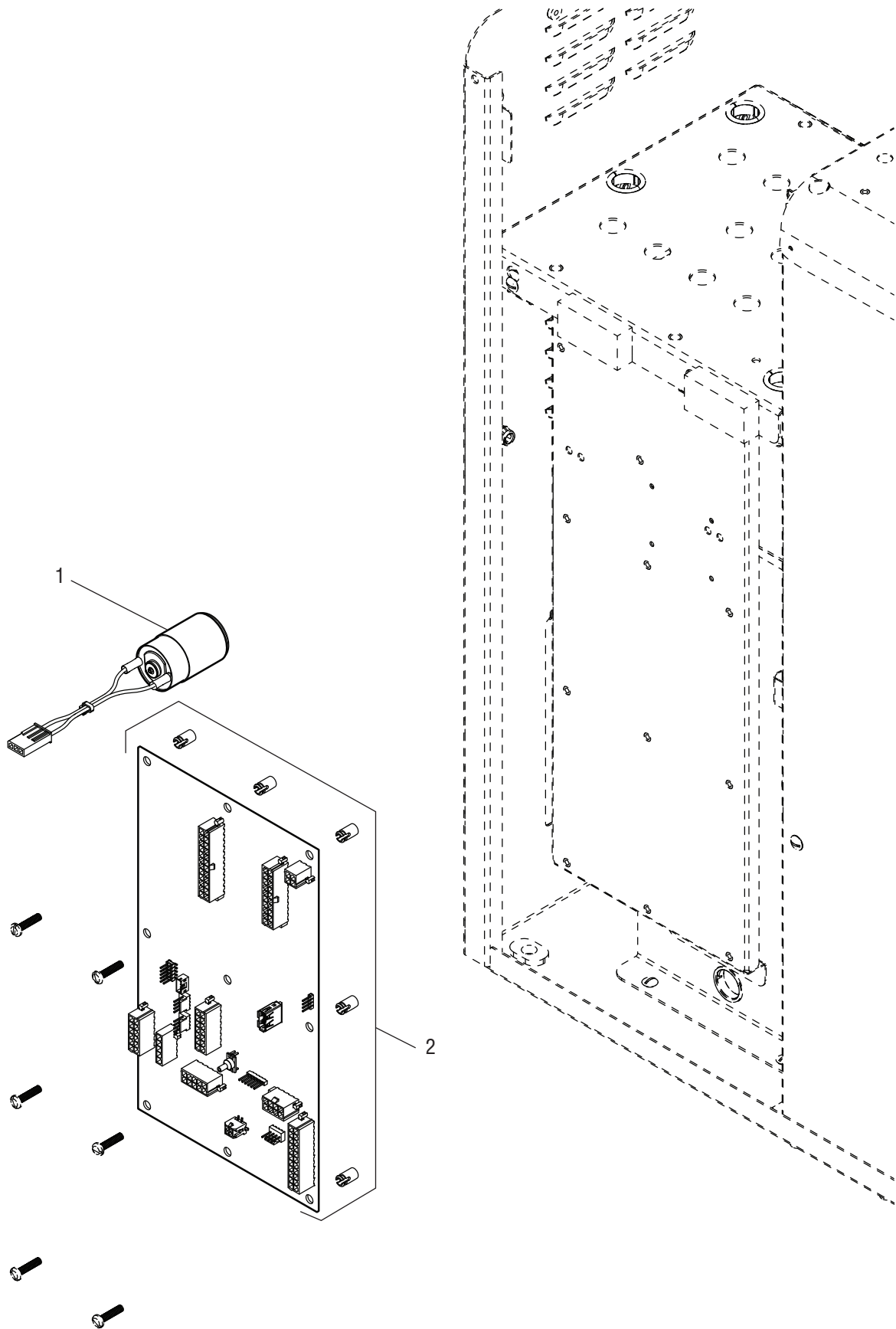


**WATER HOSE COMPONENTS - continued**

ITEM	PART NO.	QTY.	DESCRIPTION
13		3	Tube, Silicone .375" ID x 6" (order item 19)
14	<a href="#">12422.0001</a>	5	Clamp, Hose Snap Type 59/66ID
15	<a href="#">38948.0001</a>	1	Fitting, Tee .375 Barb-PVDF
16	<a href="#">41595.0005</a>	1	Flow Assy, TNLPT 50GPM .38-25
17		1	Tube, Silicone .375 ID x .50 OD x 10.5" (order item 21)
18		1	Tube, Silicone .313ID x .562 x 8.5" (order item 20)

**The following items are not illustrated**

19	<a href="#">20976.1000</a>	-	Tube, Silicone .375 ID x 12.0"
20	<a href="#">28526.1001</a>	-	Tube, Silicone .313 ID x 36.0"
21	<a href="#">41193.1001</a>	-	Tube, Silicone .375" ID x 36.0"
22	<a href="#">50732.1001</a>	-	Tube, Silicone 6mm ID x 36.0"



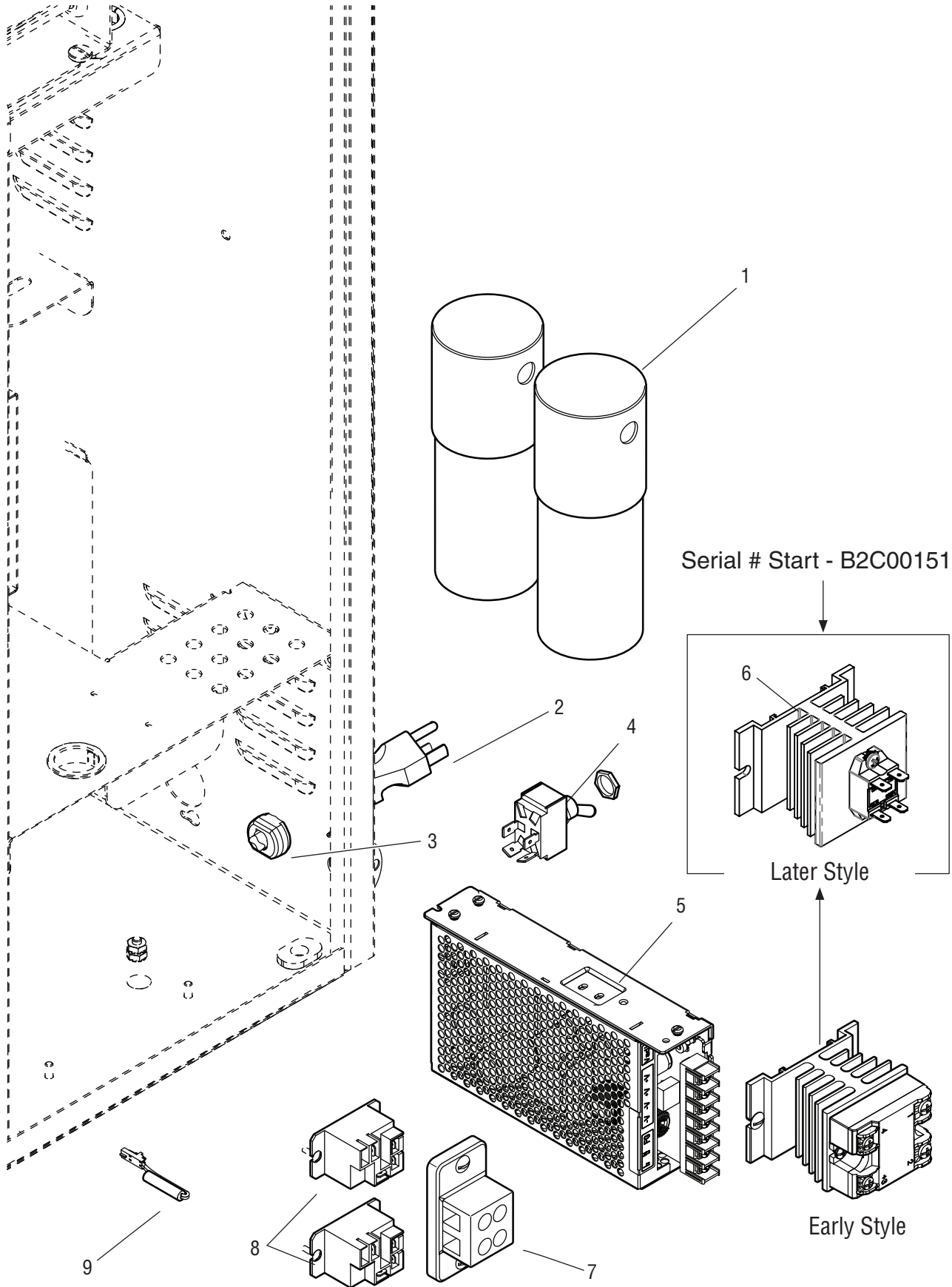
## ELECTRICAL COMPONENTS - LEFT SIDE

ITEM	PART NO.	QTY.	DESCRIPTION
1	52565.0000	1	DC Motor and Cam Assy
2	50632.1001	1	CBA Kit, CTRL - Sure Immersion 220



# ELECTRICAL COMPONENTS - RIGHT SIDE

SI 220



## ELECTRICAL COMPONENTS - RIGHT SIDE

ITEM	PART NO.	QTY.	DESCRIPTION
1	50811.0103	2	Capacitor, EMH-54 Grinder (ea supplied with grinder - see page 17)
2	20630.0008	1	Cord Assy, PWR 16/3 - 15P
3	01686.0000	1	Bushing, Strain RLF-STR (7K-2)
4	40763.0002	1	Switch, Toggle DPST
5	33363.0016	1	Power Supply, 24VDC 6.5A
6	49266.0000	1	Relay, Solid State w/ Ring Terminals (Early Style)
	58195.0000	1	Relay, Solid State w/ Male Spade Terminals (Later Style, Serial Number Start: B2C0015145)
7	01106.0000	1	Terminal Block, 2-Pole Wht/Blk
8	32104.0001	2	Relay, 24C Coil
9	49078.0000	1	Switch Assy, Reed

**The following items are not illustrated**

10	37842.0000	-	Wiring Harness, TB to EMT FLT
11	51628.0000	-	Wiring Harness, Pump to Paper Motor (Used in: 44400.0102, 0103, 0104)
	51628.0002	-	Wiring Harness, Pump to Paper Motor(Used in: 44400.0100, 0101, 0105, 0106, 0108, 0109, 6100)
12	51627.0000	-	Wiring Harness, Door Switch to Main Harness
13	51626.0000	-	Wiring Harness, Coffee Valve to Main Harness
14	51639.0000	-	Wiring Harness, 120V Power (Early)
	51639.0004	-	Wiring Harness, 120V Power (Later, Serial Number Start: B2C0015145)
15	51729.0000	-	Wiring Harness, Hopper Sensor
16	51630.0000	-	Wiring Harness, Main Sure Immersion (Early)
	51630.0001	-	Wiring Harness, Main Sure Immersion (Later, Serial Number Start: B2C0015145)
17	52584.0000	-	Wiring Harness, Door Interconnect
18	52309.0000	-	Lead Assembly, CBA Current Sensor
19	52215.0000	-	Wiring Harness, Door Switch to CBA
20	51881.0000	-	LED Assembly, Photo-Transistor
	53593.0000	-	Retainer, LED Snap
21	51631.0000	-	Wiring Harness, Sensor
22	53307.0000	-	Wiring Harness, Sure Immersion ADA
23	51711.1000	-	Wiring Harness, Door (w/o Printer Port)
	51711.0002	-	Wiring Harness, Door (w/Printer Port)
24	51639.0002	-	Wiring Harness, 208/120V Power (Early)
	51639.0005	-	Wiring Harness, 208/120V Power (Later, Serial Number Start: B2C0015145)



Page intentionally left blank.

## KITS

### 12-Month Preventive Maintenance: [54079.0100](#) (not illustrated)

1	1	Service kit, Dispense Valve w/Flow control
2	1	Grommet, Dispense Valve
3	1	Filter, in-line 250 Mesh
4	1	Gasket Assy, Vacuum Box Filter
5	1	Connector, w/Rib
6	1	Vacuum Pump Assembly
7	1	Kit, 24V 3-way
8	1	Grommet, Silicone w/Flange

### Accessories (not illustrated)

<a href="#">50766.0001</a>	Paper Roll
<a href="#">26367.0000</a>	Dispense Nozzle Cleaning Brush
<a href="#">42933.0001</a>	Cleaning Tablets, 1 Jar (30 Tablets)
<a href="#">49827.0000</a>	Brush, Tube
<a href="#">53493.0000</a>	Brush, Cleaning
<a href="#">26367.0000</a>	Brush, Tube

### **BUNNLink:** [48694.1004](#) **Kit, BUNNLINK LTE SURE IMMERSION** (not illustrated)

1	CBA, NODE BUNNLINK LTE
1	Antenna
1	Wiring Harness

### **BUNNLink:** [48694.1006](#) **Kit, BUNNLINK LTE SURE IMMERSION (CANADA ONLY)** (not illustrated)

1	CBA, NODE BUNNLINK LTE INT'L
1	Antenna
1	Wiring Harness

### **E-Pay Kit:** [53634.0001](#) (not illustrated)

<a href="#">53752.0000</a>	1	Card Reader System
<a href="#">53812.0000</a>	1	Test Card