



# ***SINGLE<sup>®</sup> SH DBC<sup>®</sup>*** ***WITH SMART FUNNEL<sup>®</sup>***



## **ILLUSTRATED PARTS CATALOG**

Designs, materials, weights, specifications, and dimensions for equipment or replacement parts are subject to change without notice.

### **BUNN-O-MATIC CORPORATION**

POST OFFICE BOX 3227

SPRINGFIELD, ILLINOIS 62708-3227

PHONE: (217) 529-6601 FAX: (217) 529-6644

## **BUNN-O-MATIC COMMERCIAL PRODUCT WARRANTY**

Warranty statements and information can be found on our website. Please visit <https://commercial.bunn.com/support/warranty-lookup> for further details.

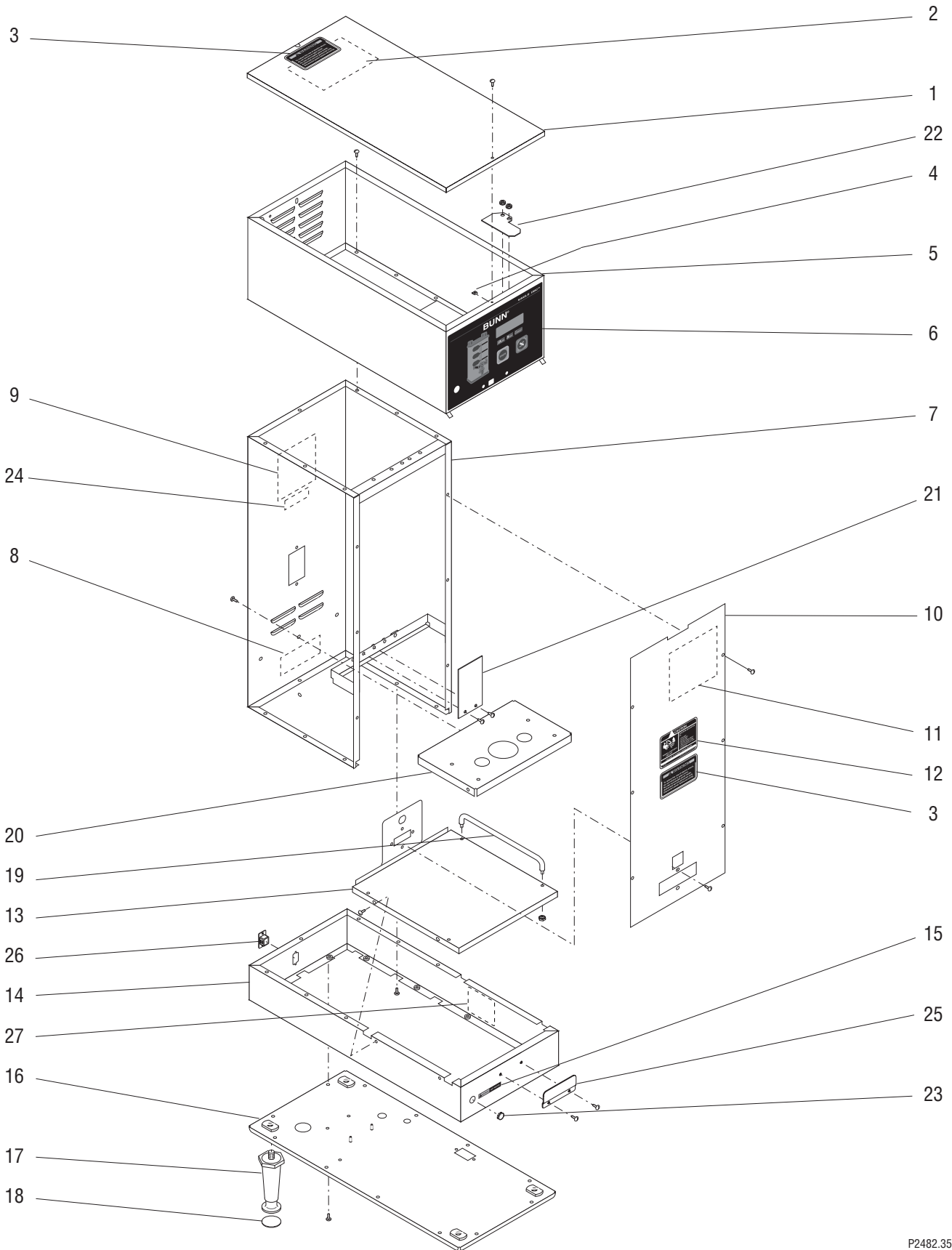
## TABLE OF CONTENTS

Base - Trunk - Hood - Covers & Panels .....	4
Dispense Valve and Sprayhead.....	18
Electrical Controls .....	22
Faucet.....	20
Funnel.....	28
Numerical Index .....	30
Strainer/Flow Control - Solenoid & Lines .....	12
Tank and Mounting Brackets .....	10
Tank Heater & Overflow Protection Devices .....	8
Water By-Pass.....	16



# BASE - TRUNK - HOOD - COVERS & PANELS

SINGLE SH  
DBC



P2482.35

## BASE - TRUNK - HOOD - COVERS & PANELS

ITEM	PART NO.	QTY.	DESCRIPTION
1	25766.0000	1	Cover w/Decals, Top SST (Includes items 2 & 3)
	25766.0001	1	Cover w/Decals, Top BLK (Includes items 2 & 3)
	02336.0000	1	Screw, Truss Head #4 - 40 x .375"
2	25151.0000	1	Shield, Insulator
3	37881.0000	2	Decal, Warning "No Serviceable Parts"
4	00916.0000	1	Clip, J-Type #4 - 40
5	36404.1000	1	Hood w/Decals SST (Includes item 6)
	36404.1001	1	Hood w/Decals BLK (Includes item 6)
	02308.0000	7	Screw, Pan Head #8 - 32 x .375"
6	29973.0000	1	Membrane Switch
7	29891.1000	1	Trunk w/Decals SST (Includes items 8,9 & 24)
	29891.1003	1	Trunk w/Decals BLK (Includes items 8,9 & 24)
8	00656.0000	1	Decal, Comply to Plumbing Code
9	00831.0000	1	Decal, Warning - Electrical
10	27744.1007	1	Panel w/Decals, SST 120 models (Includes items 3, 11 & 12)
	27744.1001	1	Panel w/Decals, SST 120/240V models (Includes items 3, 11 & 12)
	27744.1006	1	Panel w/Decals, BLK 120/240V models (Includes items 3, 11 & 12)
	27744.1002	1	Panel w/Decals, 200V & 230V models (Includes items (3 & 12)
	01382.0003	8	Screw, Truss Head Locking #6 - 32 x .375"
11	32043.0000	1	Schematic, Electrical 120/240V models
	32043.0004	1	Schematic, Electrical 120V models
	32043.0006	1	Schematic, Electrical 240V (Brewers with Product # 33600.0019 only)
12	00658.0000	1	Decal, Caution - Decanter/Funnel
13	36407.0000	1	Cover, Server Platform
	01382.0003	4	Screw, Truss Head Locking #6 - 32 x .375"
14	36406.1000	1	Base Housing w/Decals, SST 120V, 120/240V & 200V models (Includes item 15)
	36406.1001	1	Base Housing w/Decals, 230V models (Includes item 15)
	36406.0002	1	Base Housing, BLK 120/240V models
	02308.0000	7	Screw, Pan Head #8 - 32 x .375"
15	20201.5600	1	Decal, Warning - Hot Water
16	27763.0000	1	Cover, Bottom SST 120V & 120/240V models
	27763.0001	1	Cover, Bottom BLK 120/240V models
	27763.0003	1	Cover, Bottom 230V models
	27763.0004	1	Cover, Bottom 200V models
	27763.0006	1	Cover, Bottom SST 120V & 120/240V models with Main Power Switch
	27763.0008	1	Cover, Bottom BLK 120/240V models with Main Power Switch
	02308.0000	12	Screw, Pan Head #8 - 32 x .375"
17	26528.0000	4	Leg, 4.0" Plastic
18	03996.0000	4	Pad, Anti Skid
19	12249.0001	2	Guide Rail
	00970.0000	4	Nut, Keps #8 - 32

(Continued)

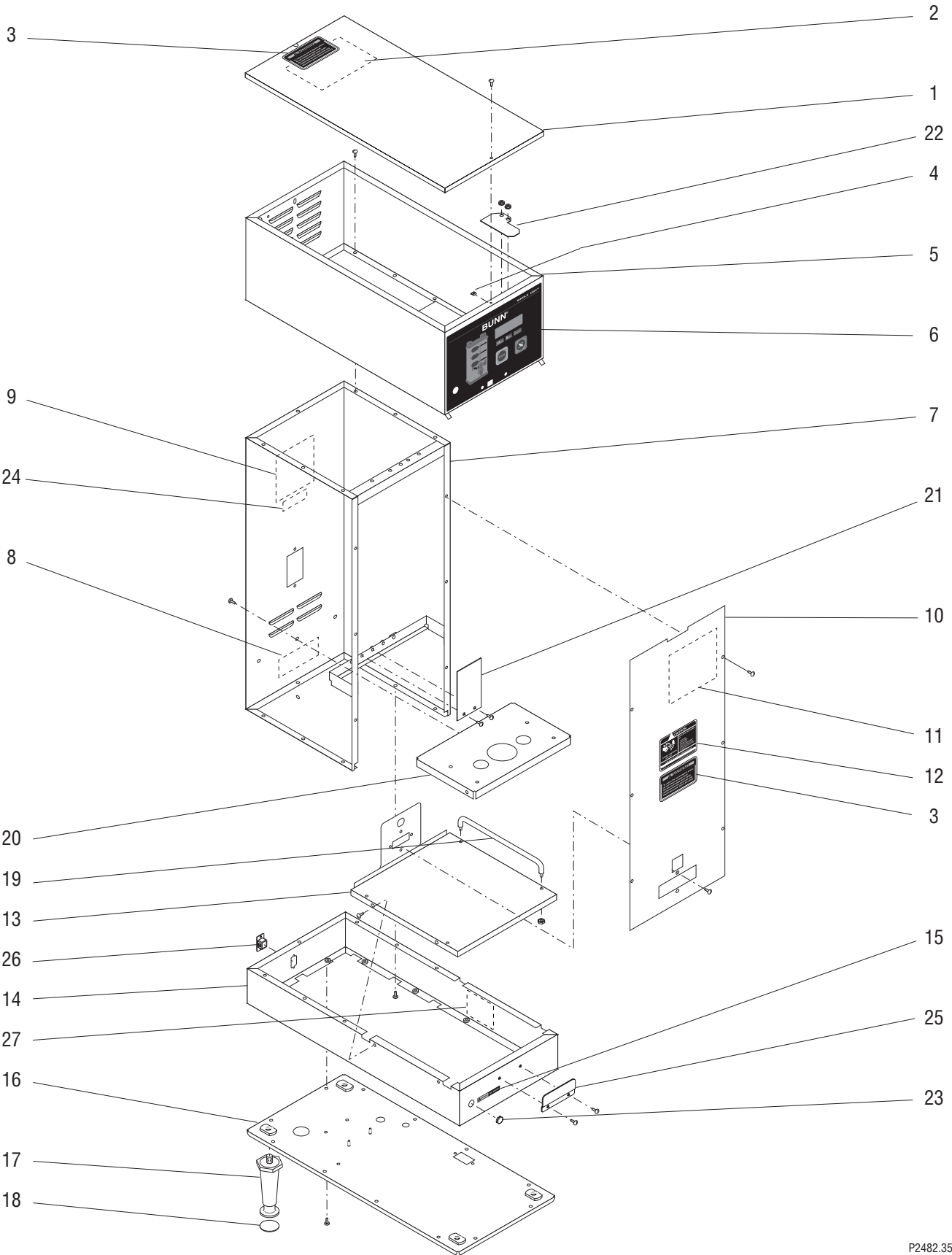
\* Indicates the part number listed is for reference only. See DESCRIPTION for possible service replacement.



# BASE - TRUNK - HOOD - COVERS & PANELS

SINGLE SH  
DBC

(Continued)



P2482.35

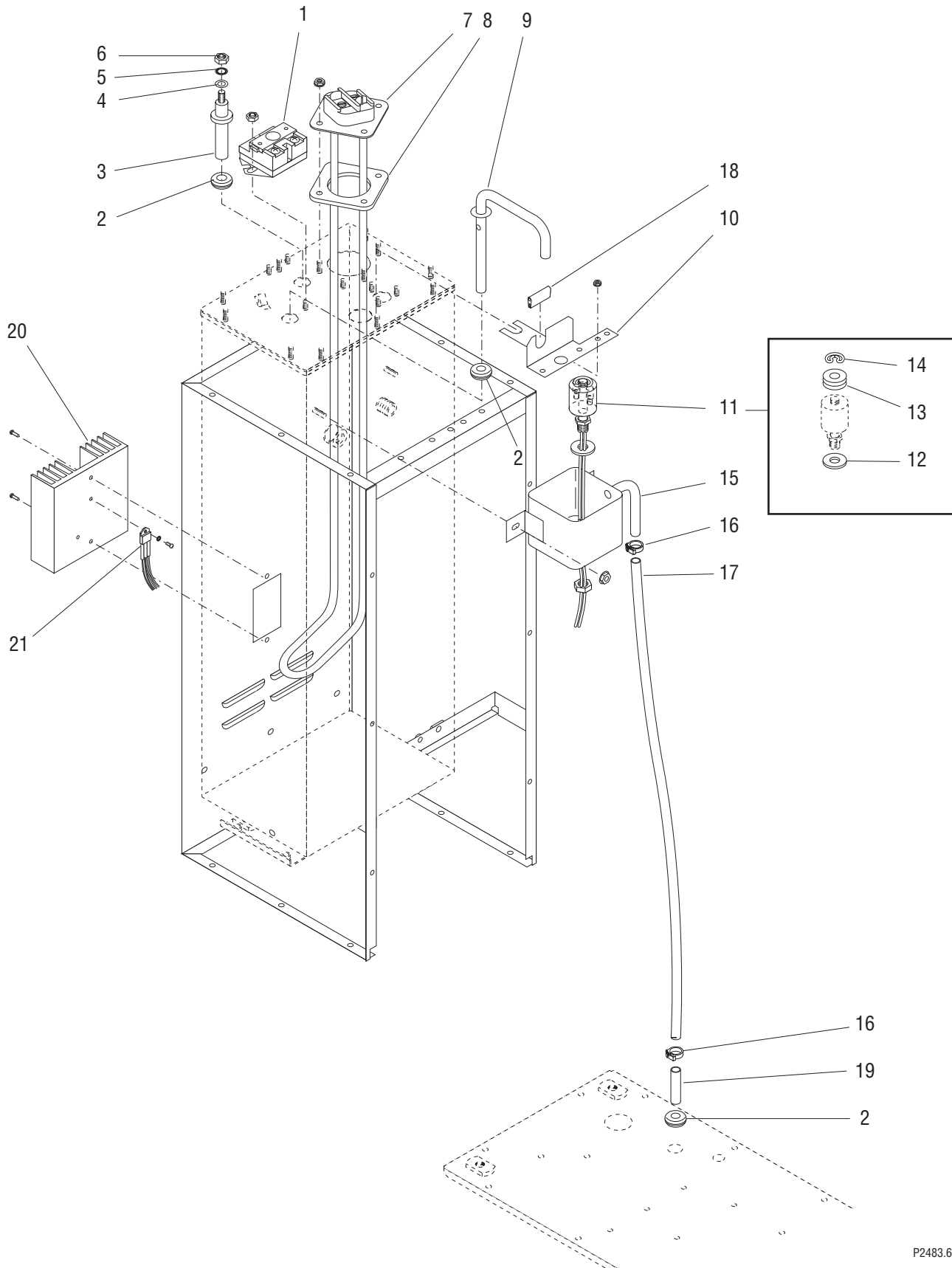
## BASE - TRUNK - HOOD - COVERS & PANELS

ITEM	PART NO.	QTY.	DESCRIPTION
20	26207.0000 02308.0000	1 5	Plate, Tank Mounting Screw, Pan Head #8 - 32 x .375"
21	34020.0000 02308.0000	1 2	Plate, Decal Mounting (Models without Main Power Switch) Screw, Pan Head #8 - 32 x .375"
22	32649.0000 00970.0000	1 2	Plate, Cover Nut, Keps #8-32 } Models without Funnel Lock
23	00619.0000	1	Plug
24	00985.0000	1	Decal, Individual Circuit Info
25	21537.0001 01347.0000	2 4	Plate, Server Stop Screw, #6-32 x .38"
26	36398.0000	1	Hole Plug, DB-9 (Early models)
27	39803.0000	1	Decal, Main Switch (Models with Main Switch only)
28	13255.0003	-	Leg Kit (Includes 4 each of items 17 & 18) (Not illustrated)



# TANK HEATER & OVERFLOW PROTECTION DEVICES

**SINGLE SH  
DBC**



## TANK HEATER & OVERFLOW PROTECTION DEVICES

ITEM	PART NO.	QTY.	DESCRIPTION
1	23717.0003	1	Thermostat, Limit
	00908.0000	2	Nut, Hex #8 - 32
2	02536.0000	3	Grommet, Probe
3	20936.1000	1	Probe Kit (Includes items 4, 5 & 6)
4	01501.0000	1	Washer .164" I.D. x .375" O.D.
5	20203.0100	1	Lockwasher, Internal Tooth #8
6	00908.0000	1	Nut, Hex #8 - 32
7	12524.1000	1	Tank Heater 1800W @ 120V (Includes item 8)
	20922.1000	1	Tank Heater 3000W @ 240V (Includes item 8)
	12322.1000	1	Tank Heater 4000W @ 240V (Includes item 8)
	12305.1000	1	Tank Heater 4000W @ 208V (Includes item 8)
	12451.1000	1	Tank Heater 5000W @ 240V (Includes item 8)
	00908.0000	4	Nut, Hex #8 - 32
8	12398.0002	1	Gasket, Tank Heater
9	26622.0001	1	Tube Assy, Vent
10	27473.0000	1	Bracket, Vent Tube
11	03803.0000	1	Switch Assy, Liquid Level, 120V,120/240V & 200V (Includes items 12, 13 & 14)
	03803.0002	1	Switch Assy, Liquid Level, 230V (Includes items 12, 13 & 14)
	00946.0000	1	Nut, Hex .125" FPT
12	03633.0000	2	Gasket, Float Switch (Only 1 used in this application)
13	-----	3	Washer, Adjusting (DO NOT USE IN THIS APPLICATION)
14	03807.0000	1	Clip, Spring
15	22728.0000	1	Overflow Cup Assy
	00971.0000	2	Nut, Keps #10-32
16	12422.0000	2	Clamp, Hose .47"/.54" I.D.
17	03236.0007*	1	Tube, Silicone .312" I.D. x 29" (Order item 23)
18	-----	1	U-Channel 2.0" (Order item 24)
19	21801.0002	1	Tube .375" O.D. x 1.50" LG
20	20541.0001	1	Heat Sink, Aluminum
21	12565.0011	1	Triac Assy, 40 Amp (120V, 120/240V & 200V models)
	12565.0013	1	Triac Assy, 40 Amp (230V models)
	02328.0003	1	Screw, Pan Head #6-32 x .312"
	01520.0000	1	Lockwasher #6
22	M2522.1000	-	Heat Sink Compound (Not Illustrated)
23	03236.1001	-	Tube, Silicone .312" I.D. x 36.0"
	03236.1003	-	Tube, Silicone .312" I.D. x 60.0"
	03236.1002	-	Tube, Silicone .312" I.D. x 120"
24	02434.1000	-	U-Channel 18.0" (Use as required)

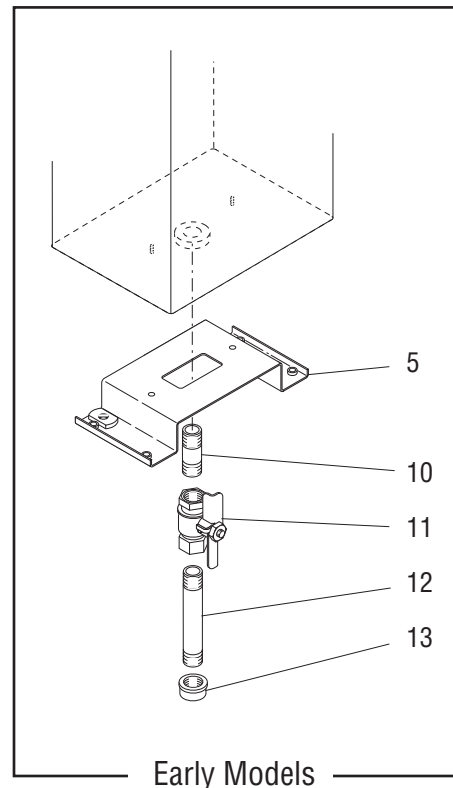
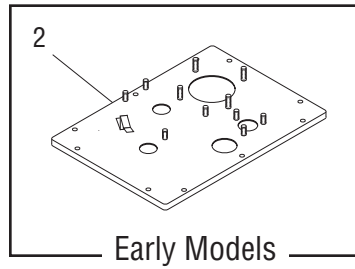
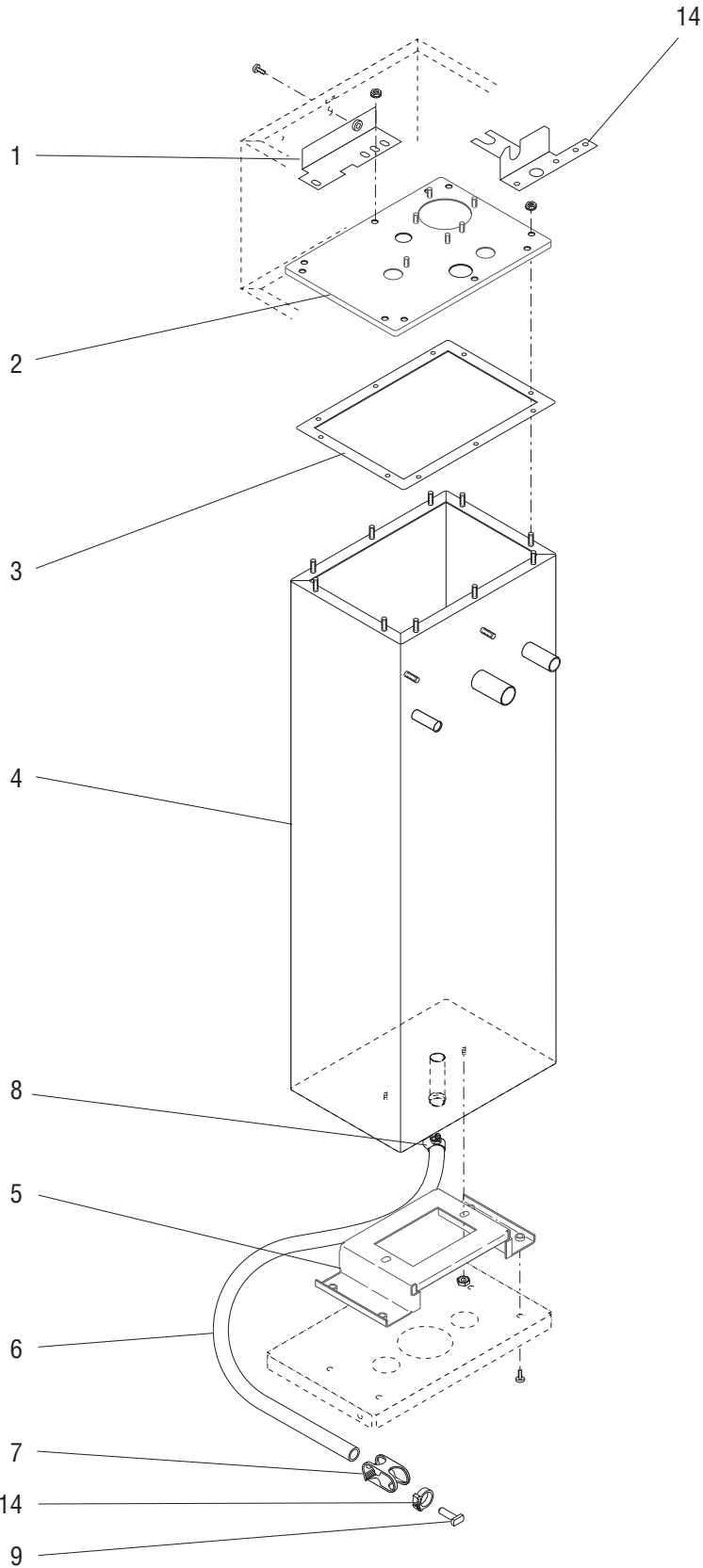
} Not illustrated

\* Indicates the part number listed is for reference only. See DESCRIPTION for possible service replacement.



# TANK AND MOUNTING BRACKETS

SINGLE SH  
DBC



P1018.50

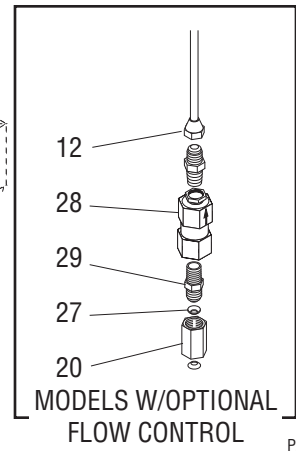
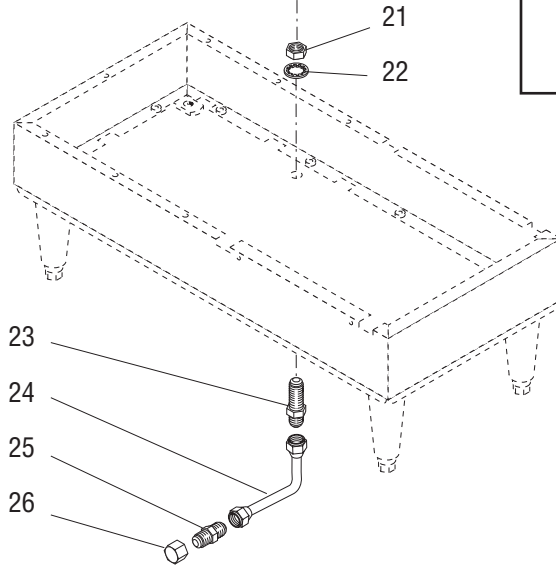
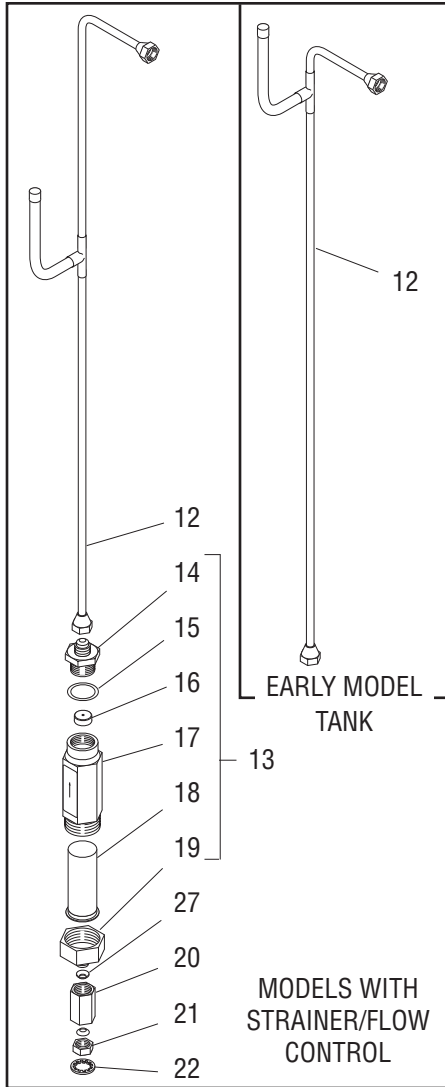
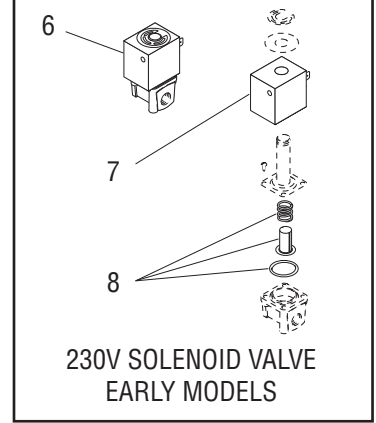
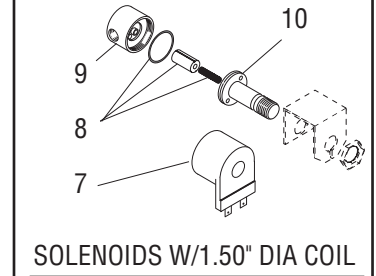
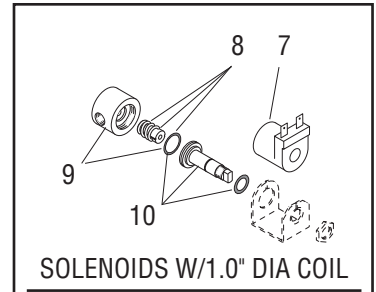
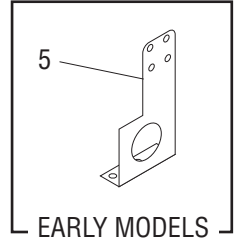
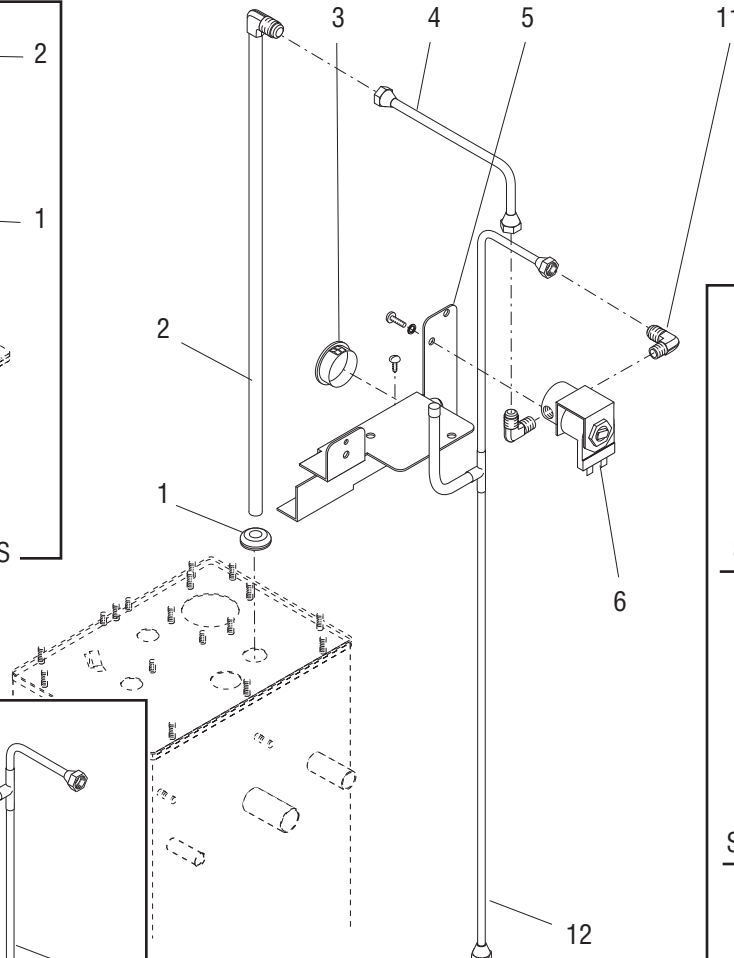
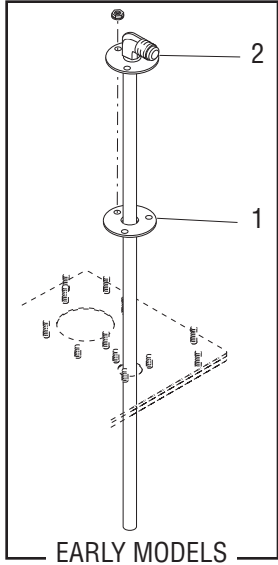
## TANK AND MOUNTING BRACKETS

ITEM	PART NO.	QTY.	DESCRIPTION
1	28909.0000	1	Bracket, Tank Support (Top)
	02308.0000	1	Screw, Pan Head #8 - 32 x .375"
	00908.0000	2	Nut, Hex #8 - 32
2	22976.0001	1	Lid, Tank (Early models)
	22976.0004	1	Lid, Tank (Late models)
	00908.0000	10	Nut, Hex #8 - 32
3	22978.0000	1	Gasket, Tank
4	23324.1000	1	Tank Assy (Includes item 6) (Early models)
	22960.1008	1	Tank Assy (Late models)
5	23193.0000	1	Bracket, Tank Mounting (Bottom) (Early models)
	37541.0000	1	Bracket, Tank Mounting (Bottom) (Late models)
	00971.0000	2	Nut, Keps #10 - 32
	02308.0000	4	Screw, Pan Head #8 - 32 x .375"
6	32591.0011*	1	Tube, Silicone .50" I.D. x 36" LG (Order item 16)
7	11630.0002	1	Clamp Shut Off, Tube
8	29421.0000	1	Clamp, Hose-Worm Drive .625"/.75"
9	35086.0000	1	Plug, .50" I.D. Hose
10	32242.0000	1	Nipple, Brass 2.0"
11	35439.1000	1	Valve, Ball Shut-off
12	32242.0002	1	Nipple, Brass 5.0"
13	32241.0000	1	Cap
14	12422.0005	1	Clamp, Hose - Snap Type .62/.71 I.D.
15	-----	1	Bracket, Vent Tube (See TANK HEATER & OVERFLOW PROTECTION)
16	32591.1002	-	Tube, Silicone .50" I.D. x 36" LG



# STRAINER/FLOW CONTROL - SOLENOID AND LINES

**SINGLE SH  
DBC**



P2484

## STRAINER/FLOW CONTROL - SOLENOID AND LINES

ITEM	PART NO.	QTY.	DESCRIPTION
1	05515.0000	1	Gasket, Fill Tube (Early models)
	02536.0000	1	Grommet, Fill Tube (Late models)
2	22992.0001	1	Tube, Tank Fill (Early models)
	20937.0000	1	Tube, Tank Fill (Late models)
	00908.0000	3	Nut, Hex #8 - 32
3	01592.0001	1	Bushing, Snap 1.88" Dia. Hole
4	21812.0007	1	Tube Assy, Solenoid to Tank (Includes Nuts)
5	-----	1	Bracket, Upper Component (Early models. Order late model bracket)
	23015.0001	1	Bracket, Upper Component (Late models)
	02308.0000	2	Screw, Pan Head #8 - 32 x .375"
6	01085.0000	1	Solenoid Valve Assy, 120V - 1.48" Dia Coil (Without Inlet Screen)
	01085.1006	1	Solenoid Valve Assy, 120V - 1.48" Dia Coil (With Inlet Screen)
	01085.0002	1	Solenoid Valve Assy, 120V - 1.0" Dia Coil
	21180.0001	1	Solenoid Valve Assy 200V - 1.50" Dia Coil
	01975.0000	1	Solenoid Valve Assy 230V - 1.50" Dia Coil (Late models) Without Inlet Screen)
	01085.1007	1	Solenoid Valve Assy, 240V - 1.48" Dia Coil (With Inlet Screen)
	01327.0000	2	Screw, Pan Head #10 - 32 x .375"
	01502.0000	2	Lockwasher, Split #10
	28005.0000	1	Solenoid Valve Assy 230V (Includes items 7 & 8)
	01315.0000	2	Screw, Truss Head #8 - 32 x .38"
	01519.0000	2	Lockwasher, Split #8
7	01101.0000	1	Solenoid Valve Coil, 120V - 1.50" Dia
	28480.0000	1	Solenoid Valve Coil, 120V - 1.0" Dia
	21181.0000	1	Solenoid Valve Coil, 200V
	28020.0000	1	Solenoid Valve Coil, 230V (Early models)
	01100.0000	1	Solenoid Valve Coil, 230V (Late models)
8	01111.0000	1	Solenoid Valve Repair Kit - 1.50" Dia Coil (Includes Plunger, Seal and Spring)
	01111.0002	1	Solenoid Valve Repair Kit - 1.0" Dia Coil (Includes Plunger, Spring and O-ring)
	28021.0000	1	Solenoid Valve Repair Kit, 230V (Early models)
9	01079.0000	1	Solenoid Valve Base - 1.50" Dia Coil (Without Screen)
	28479.0000	1	Solenoid Valve Base Kit - 1.0" Dia Coil (Includes O-ring)
10	01116.0000	1	Guide - 1.50" Dia Coil
	28481.0000	1	Guide Kit - 1.0" Dia Coil
11	00400.0001	2	Elbow, Male .250" Flare x .125" MPT
12	25160.0001	1	Tube Assy, Strainer/Flow Cont. to Solenoid (Early model Tanks)
	38342.0001	1	Tube Assy, Strainer/Flow Cont. to Solenoid (Late model Tanks W/Strainer/Flow Cont.)
	38342.0002	1	Tube Assy, Bulkhead to Solenoid (Late model Tanks W/O Strainer/Flow Control)
13	22300.0500	1	Strainer/Flow Control Assy (Includes items 14 thru 19)
14	01154.0000	1	Flow Control Outlet
15	01155.0000	1	Flow Control Gasket
16	20526.1500	1	Flow Washer & Gasket .500 GPM (Includes item 15)
17	-----	1	Body (Not available order item 13)
18	23721.0000	1	Screen
19	22249.0000	1	End Cap
			} Models W/Strainer/Flow Control only

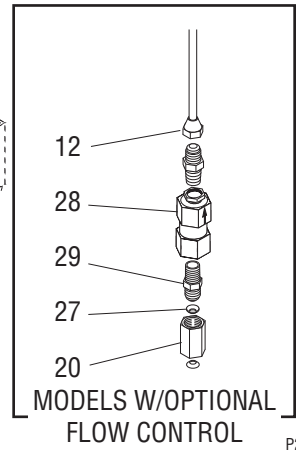
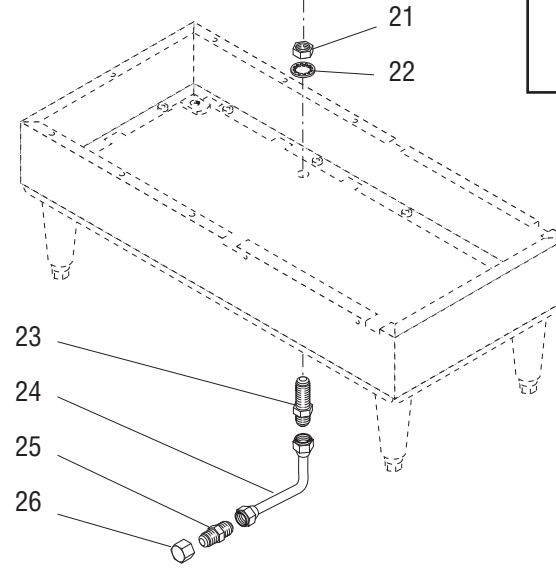
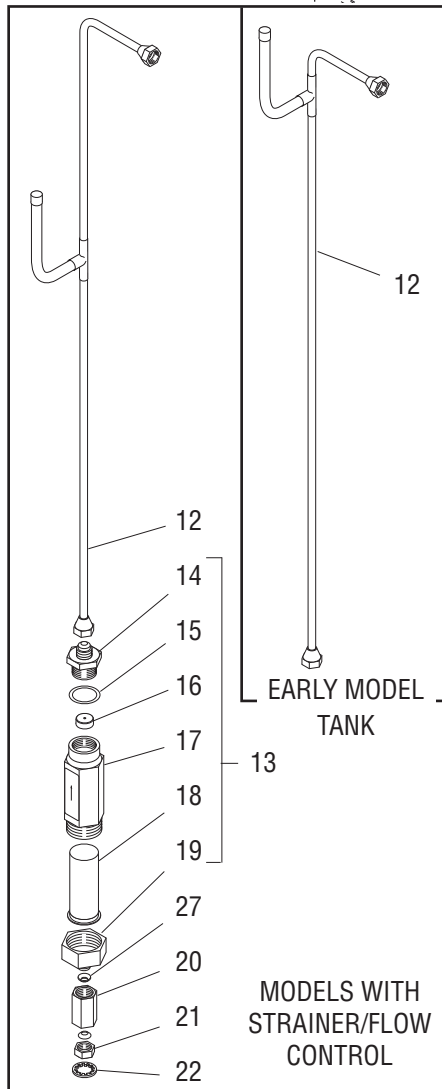
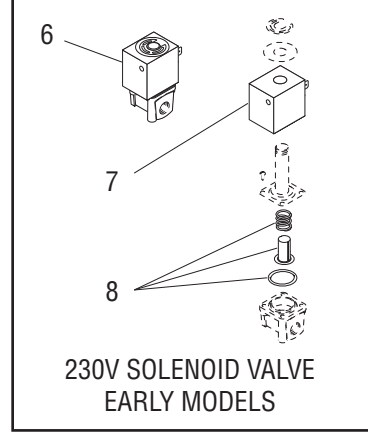
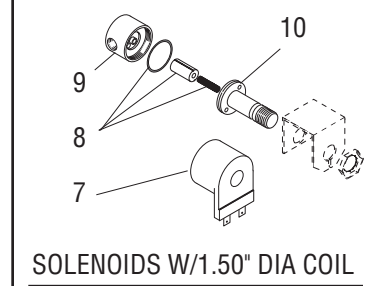
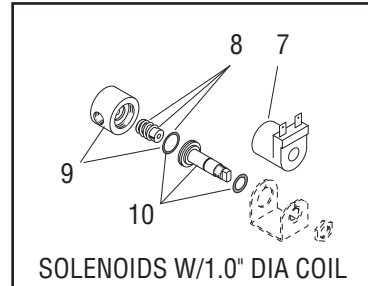
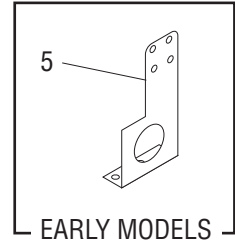
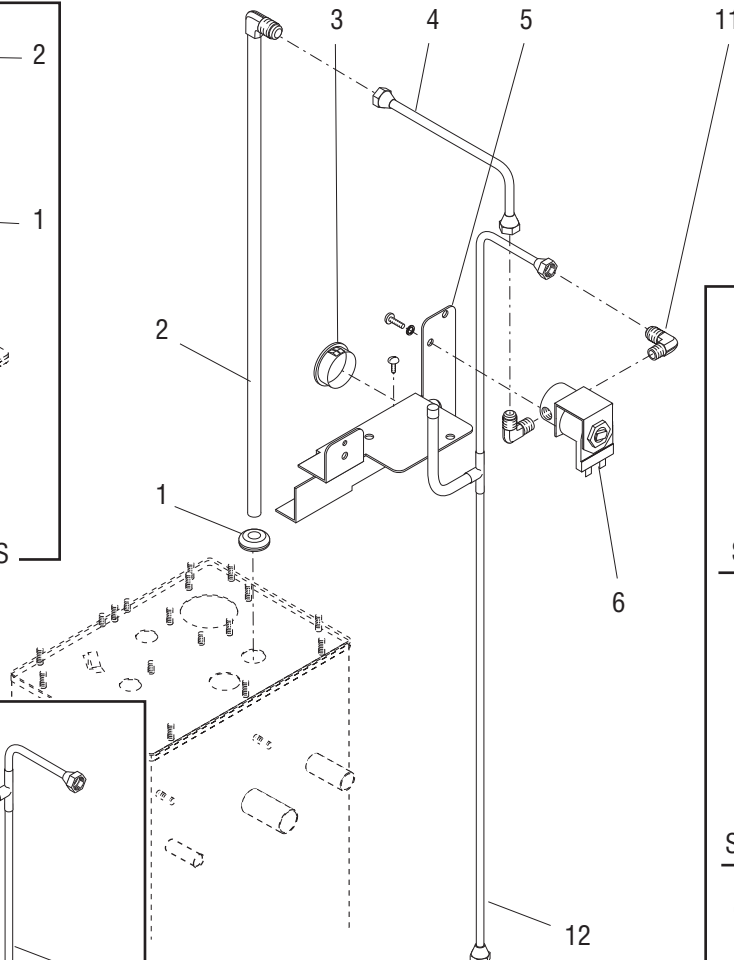
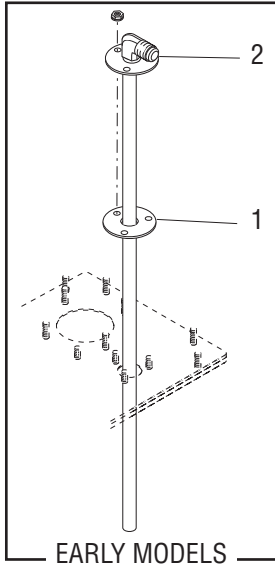
(continued)

\* Indicates the part number listed is for reference only. See DESCRIPTION for possible service replacement.



# STRAINER/FLOW CONTROL - SOLENOID AND LINES

**SINGLE SH  
DBC**



P2484

## STRAINER/FLOW CONTROL - SOLENOID AND LINES

ITEM	PART NO.	QTY.	DESCRIPTION
20	24614.0001	1	Union .25" FFL x .25" FFL (Models W/Strainer/Flow Control only)
21	00463.0000	1	Nut, Hex .438" - 20
22	01532.0000	1	Lockwasher, Internal Tooth .438" I.D.
23	00459.0000	1	Bulkhead Fitting .250" Flare
24	00310.0002	1	Tube Assy, Bulkhead to Supply
25	00436.0001	1	Union .250" Male Flare
26	00935.0000	1	Cap (For shipping purposes only)
27	24684.0000	1	Gasket, Copper
28	27596.1750	1	Strainer/Flow Control Assy (Includes Item 29)
29	00423.0000	2	Connector, .25 FLR x .25 MPT

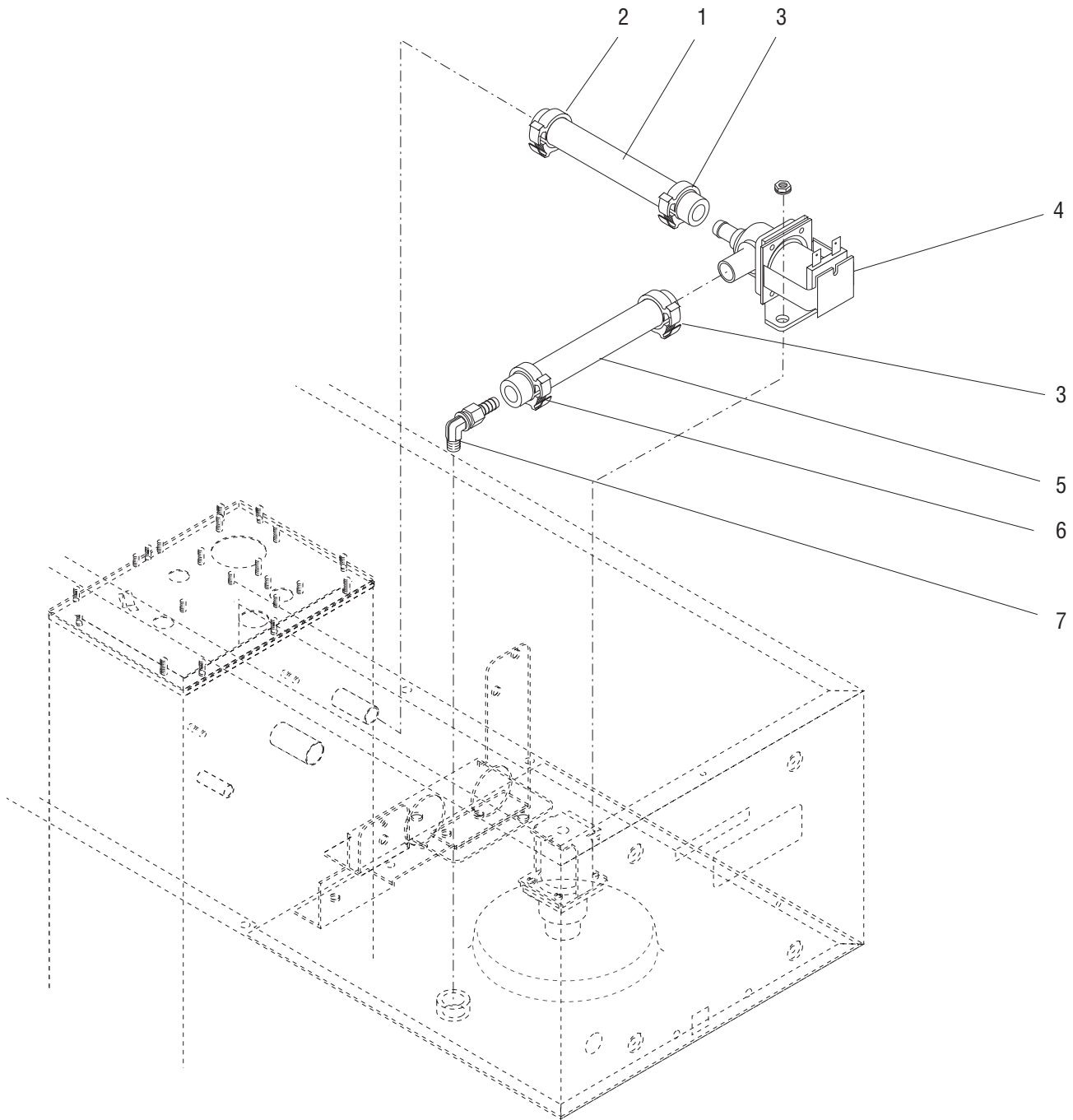
} Optional

\* Indicates the part number listed is for reference only. See DESCRIPTION for possible service replacement.



# WATER BY-PASS

**SINGLE SH  
DBC**



P2485.70

## WATER BY-PASS

ITEM	PART NO.	QTY.	DESCRIPTION
1	20976.0045*	1	Tube, Silicone .375" I.D. x 6.50" (Order item 8) (Early model Tank)
	32591.0019*	1	Tube, Silicone .50" I.D. x 4.25" (Order item 9) (Late model Tank)
2	12422.0001	1	Clamp, Hose .59"/.66" I.D. (Early model Tank)
	12422.0005	1	Clamp, Hose .62"/.71" I.D. (Late model Tank)
3	12422.0005	2	Clamp, Hose .62"/.71" I.D.
4	27370.0003	1	Valve Assy, By-Pass 120V
	27370.0004	1	Valve Assy, By-Pass 200V
	27370.0005	1	Valve Assy, By-Pass 230V
	00970.0000	2	Nut, Keps #8 - 32
5	20976.0006*	1	Tube, Silicone .375" I.D. x 4.50" (Order item 8) (Early model Tank)
	20976.0051*	1	Tube, Silicone .375" I.D. x 6.00" (Order item 8) (Late model Tank)
6	12422.0001	1	Clamp, Hose .59"/.66" I.D.
7	32648.0000	1	Elbow Assy
8	20976.1000	-	Tube, Silicone .375" I.D. x 12.0"
	20976.1001	-	Tube, Silicone .375" I.D. x 36.0"
	20976.1002	-	Tube, Silicone .375" I.D. x 120.0"
9	32591.1000	-	Tube, Silicone .50" I.D. x 36.0"

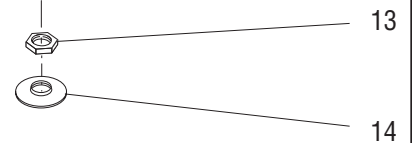
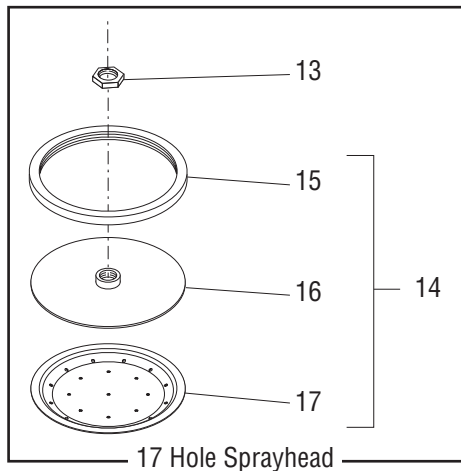
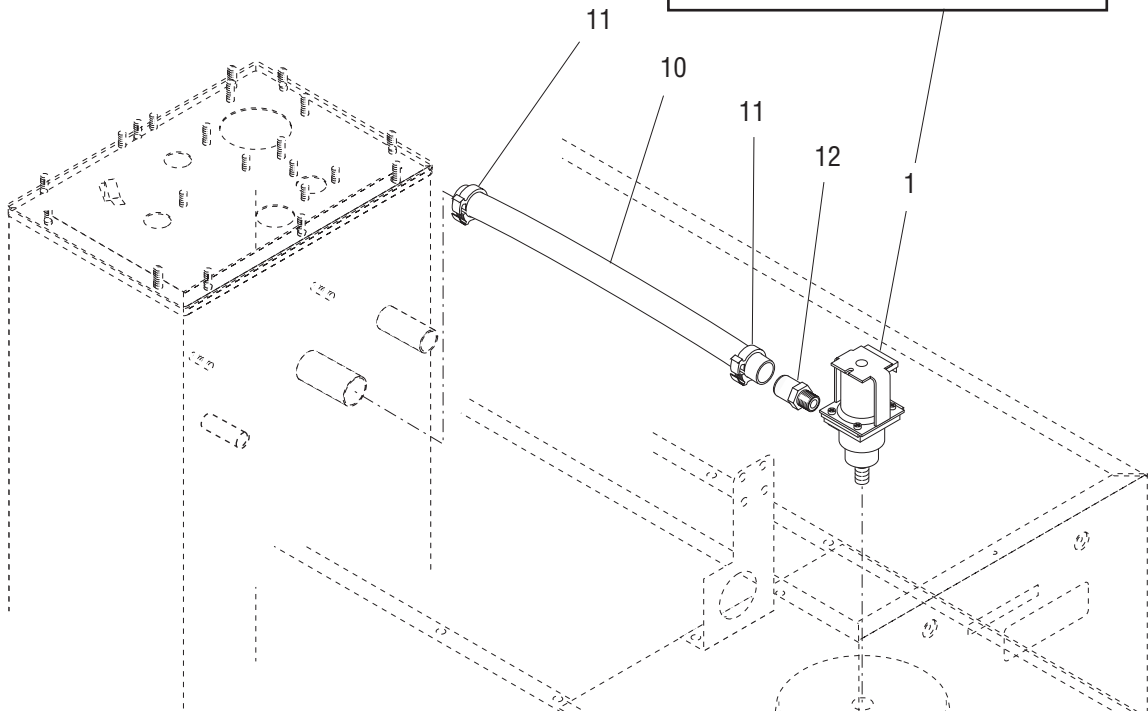
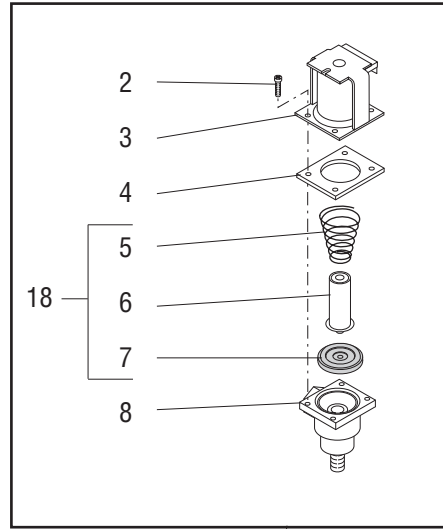
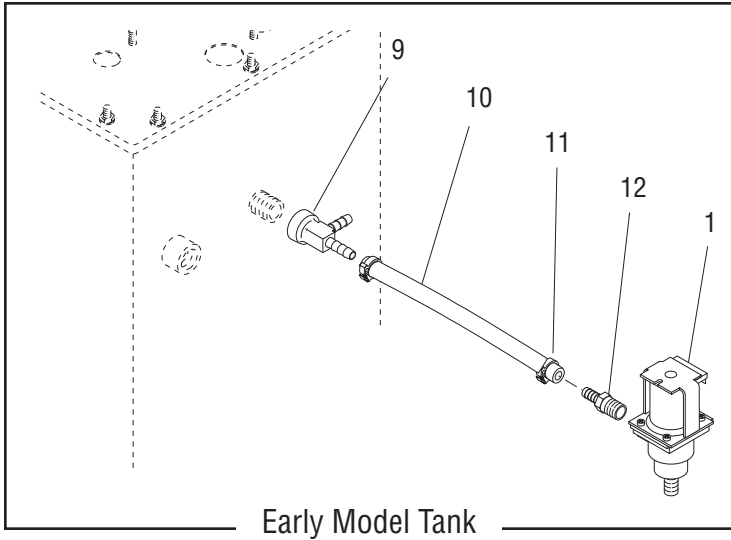
} Not illustrated

\* Indicates the part number listed is for reference only. See DESCRIPTION for possible service replacement.



# DISPENSE VALVE AND SPRAYHEAD

**SINGLE SH  
DBC**



P2488.75

## DISPENSE VALVE AND SPRAYHEAD

ITEM	PART NO.	QTY.	DESCRIPTION
1	26846.0000	1	Valve Assy, Sprayhead, 120V (Includes items 2 thru 8)
	26846.0001	1	Valve Assy, Sprayhead, 200V (Includes items 2 thru 8)
	26846.0002	1	Valve Assy, Sprayhead, 230V (Includes items 2 thru 8)
2	23254.0000	4	Screw #8 - 32
3	22305.0000	1	Coil Assy, Dispensing Valve, 120V
	22305.0003	1	Coil Assy, Dispensing Valve, 200V
	22305.0002	1	Coil Assy, Dispensing Valve, 230V
4	23256.0000	1	Spacer Plate
5	-----	1	Spring (Not available order item 18)
6	-----	1	Plunger (Not available order item 18)
7	23255.0000	1	Diaphragm
8	-----	1	Body (Not available order item 1)
9	26924.0000	1	Tee, Run .25" MPTF x .38" x .38" Barb (Early model Tank only)
10	20976.0006*	1	Tube, Silicone .38" I.D. x 4.50" (Order item 19) (Early model Tank)
	35052.0000*	1	Tube, Silicone .75" I.D. x 6.25" (Order item 20) (Late model Tank)
11	12422.0001	2	Clamp, Hose .59"/.66" I. D. (Early model Tank)
	12422.0008	2	Clamp, Hose .93"/1.1" I. D. (Late model Tank)
12	21136.0001	1	Fitting, Barb .375" x .25" MPT (Early model Tank)
	34956.0001	1	Fitting, .25" MPT .281" I.D. (Late model Tank)
13	01075.0000	1	Nut, Hex .438" - 20
14	01082.0000	1	Sprayhead 6 Hole (6-078) (Optional)
	01082.0002	1	Sprayhead 6 Hole (6-098)
	35308.1000	2	Sprayhead Assy, 17 Hole (Includes one each of items 15 - 17)
15	34868.0000	2	Seal, Sprayhead
16	35070.0001	2	Sprayhead Back
17	34867.0004	2	Sprayhead
18	11517.0008	-	Valve Repair Kit (Includes one each of items 5, 6 & 7)
19	20976.1000	-	Tube, Silicone .375" I.D. x 12.0"
	20976.1001	-	Tube, Silicone .375" I.D. x 36.0"
	20976.1002	-	Tube, Silicone .375" I.D. x 120.0"
20	35052.1000	-	Tube, Silicone .75" X 12.0"

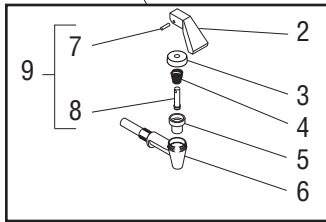
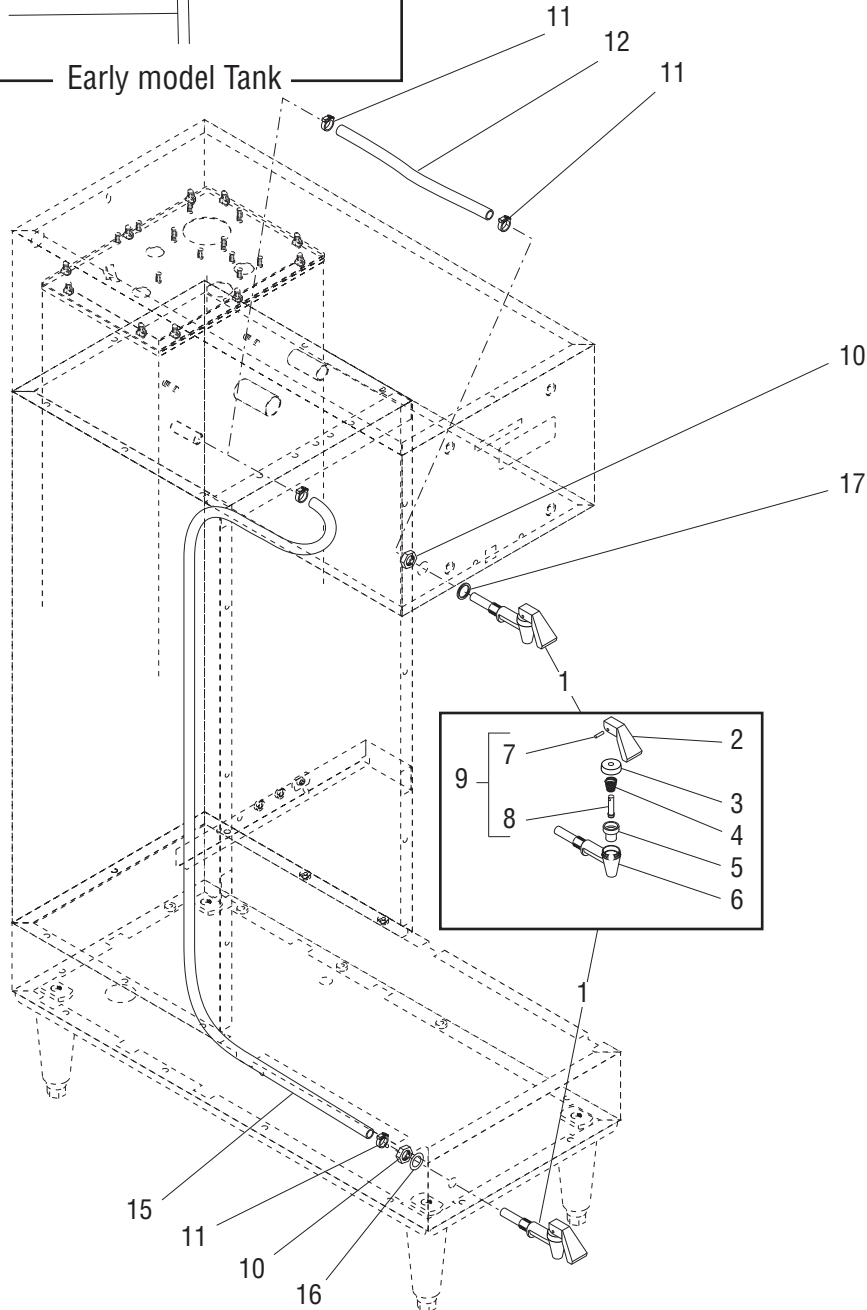
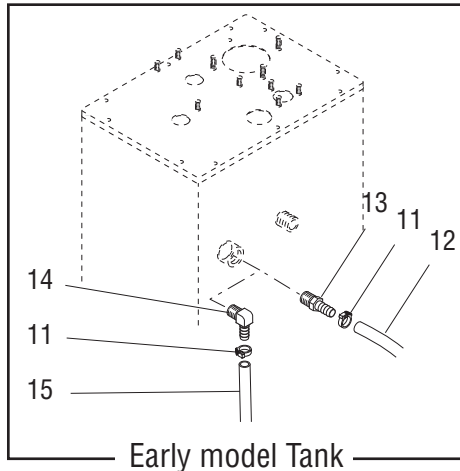
Not illustrated

\* Indicates the part number listed is for reference only. See DESCRIPTION for possible service replacement.



# FAUCET

SINGLE SH  
DBC



**Only one Faucet location option (Upper or Lower) is applicable to each Brewer**

## FAUCET

ITEM	PART NO.	QTY.	DESCRIPTION
1	29075.0000	1	Faucet Assy (Includes items 2 thru 8)
2	02861.0003	1	Handle, Red
3	02854.0000	1	Bonnet
4	02595.0000	1	Spring
5	02766.0000	1	Cup
6	02856.0005*	1	Body (Order item 1)
7	02858.0000	1	Pin, Spring
8	13054.0000	1	Stem
9	02594.0000	1	Faucet Stem w/Pin (Includes items 7 and 8)
10	29264.0000	1	Nut
11	12422.0001	2	Clamp, Hose-Snap Type .59-.66"ID
12	20976.0003*	1	Tube .38" ID x 10.5" (Order item 18) (Early model Tank)
	20976.0065*	1	Tube .38" ID x 12.0" (Order item 18) (Late model Tank)
13	21136.0001	1	Fitting .38"barb x .25" MPT (Early model Tank only)
14	20202.1601	1	Elbow, 90° .375" Barb x .25" MPT (Early model Tank only)
15	20976.0079*	1	Tube, Silicone .38" I.D. x 38.0" (Order item 18) (Early model Tank)
	20976.0066*	1	Tube, Silicone .38" I.D. x 48.0" (Order item 18) (Late model Tank)
16	01544.0000	1	Washer, .50" I.D. x .75" O.D. x .025"
17	41184.0000	1	Washer, .57" I.D. x .72" O.D. x .048" (Late models)
18	20976.1000	-	Tube, Silicone .38" I.D. x 12.0"
	20976.1001	-	Tube, Silicone .38" I.D. x 36.0"
	20976.1002	-	Tube, Silicone .38" I.D. x 120.0"
19	M2517.0000	-	Sealant, Pipe 6 ml

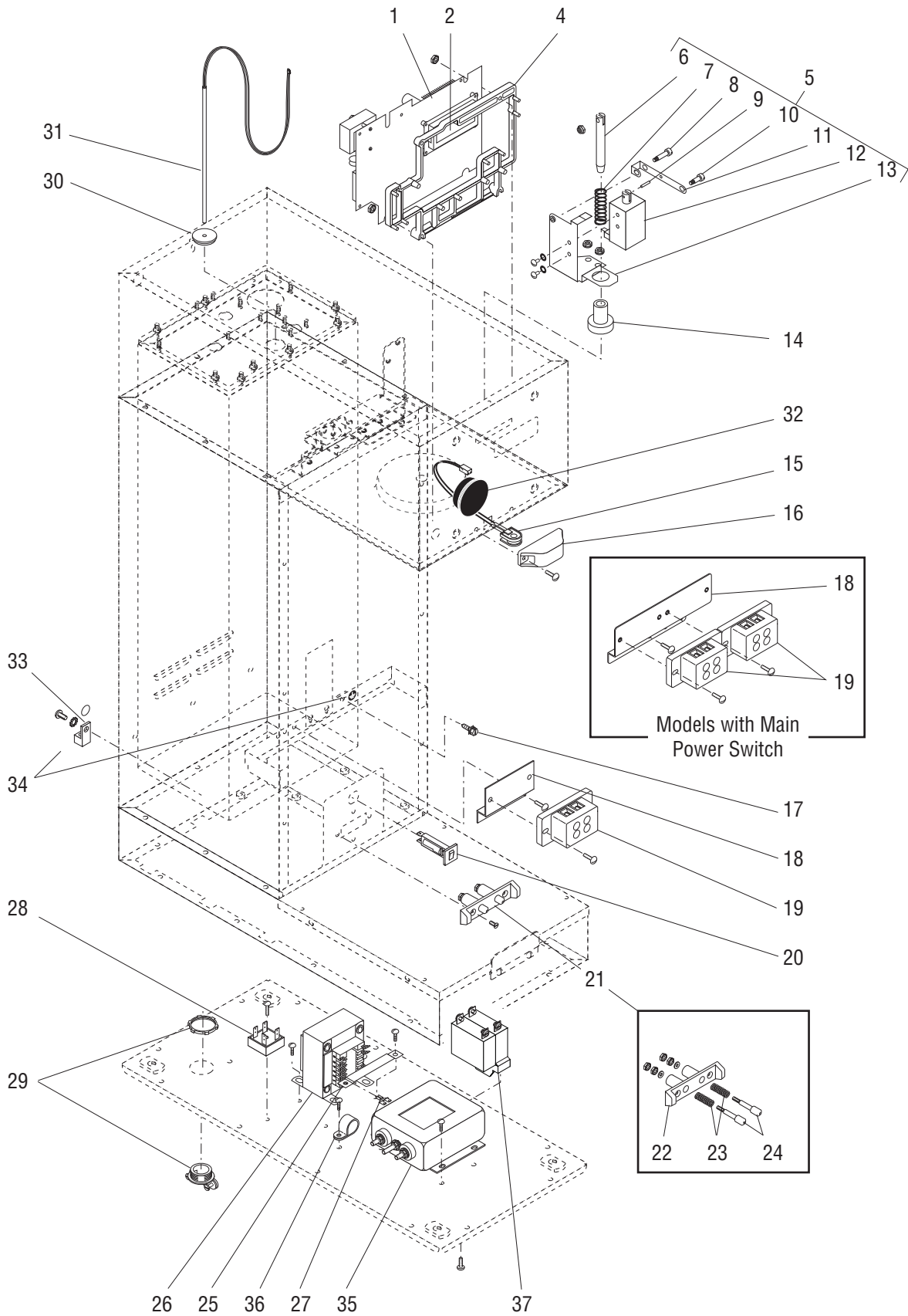
Not Illustrated

\* Indicates the part number listed is for reference only. See DESCRIPTION for possible service replacement.



# ELECTRICAL CONTROLS

SINGLE SH  
DBC



P2487.50

## ELECTRICAL CONTROLS

ITEM	PART NO.	QTY.	DESCRIPTION
1	29969.1000	1	Circuit Board, Main control, 120/240V
	29969.1003	1	Circuit Board, Main control, 200V
	29969.1025	1	Circuit Board, Main control, 200V (Brewers with Product # 33600.0019 only)
	38358.1006	1	Circuit Board, Main control, 240V RoHS (Models with 17 hole Sprayhead)
	38358.1000	1	Circuit Board, Main control, 240V RoHS
	38358.1004	1	Circuit Board, Main control, 230V CE (Milk/Tea)
	29969.1004	1	Circuit Board, Main control, 120V
	00973.0000	2	Nut, Keps #6-32
2	35493.1002	1	CBA, Display
3	-----	-	Spacer (No longer used)
4	40726.0000	1	Mount, Circuit Board
	00973.0000	2	Nut, Keps #6-32
5	29499.1000	1	Solenoid Assy 120V & 120/240V Models (Includes items 6 thru 13)
	29499.1001	1	Solenoid Assy 200 & 230V Models (Includes items 6 thru 13)
6	29494.0000	1	Pin, Funnel Stop
7	28897.0000	1	Spring, Compression
8	29493.0000	1	Lever
9	29504.0001	1	Shoulder Screw
10	26247.0001	1	Pin, Spring
11	29504.0000	1	Shoulder Screw
	00991.0000	1	Nut, Elastic Lock #8-32
12	29503.0000	1	Coil, Solenoid 120V & 120/240V Models
	29503.0001	1	Coil, Solenoid 200V & 230V Models
	01519.0000	2	Lockwasher #8
	33613.0000	2	Screw, Truss Head #8-32 x .25"
13	29492.0000	1	Bracket, Solenoid
	00970.0000	2	Nut, Keps #8-32
14	29495.0000	1	Guide, Pin
15	-----	1	Sensing Coil WO/Leads (Early models) (Not available order item 45)
	32572.1001	1	Sensing Coil W/Violet Leads (Includes plug below) (Late models)
	20621.0000	1	Plug, hole .203" Dia. (Not illustrated)
16	32573.0000	1	Cover, Sensing Coil
	01382.0007	2	Screw, Truss Head #6-32 x .38"
17	01309.0000	1	Ground Screw W/Terminal Washer #10-32 x .50" (120V, 120/240V & 200V Models)
	01375.0000	1	Ground Screw, Pan Head, Slotted, Brass #10-32 x .50" } 230V Models
	01512.0000	1	Lockwasher, Ext. tooth #10
18	23004.0000	1	Bracket, Terminal Block Mounting
	39248.0000	1	Bracket, Terminal Block Mounting (Models with Main Power Switch)
	02308.0000	2	Screw, Pan Head #8-32 x .38"
19	01106.0000	1	Terminal Block, 2 Pole WHITE/BLACK
	01106.0001	1	Terminal Block, 2 Pole RED/BLACK
	01106.0003	1	Terminal Block, 2 Pole BLUE/BROWN
	07038.0000	1	Terminal Block, 3 Pole RED/WHITE/BLACK
	07038.0001	1	Terminal Block, 3 Pole RED/BLUE/BLACK
	01317.0000	2	Screw, Truss Head #8-32 x .50"

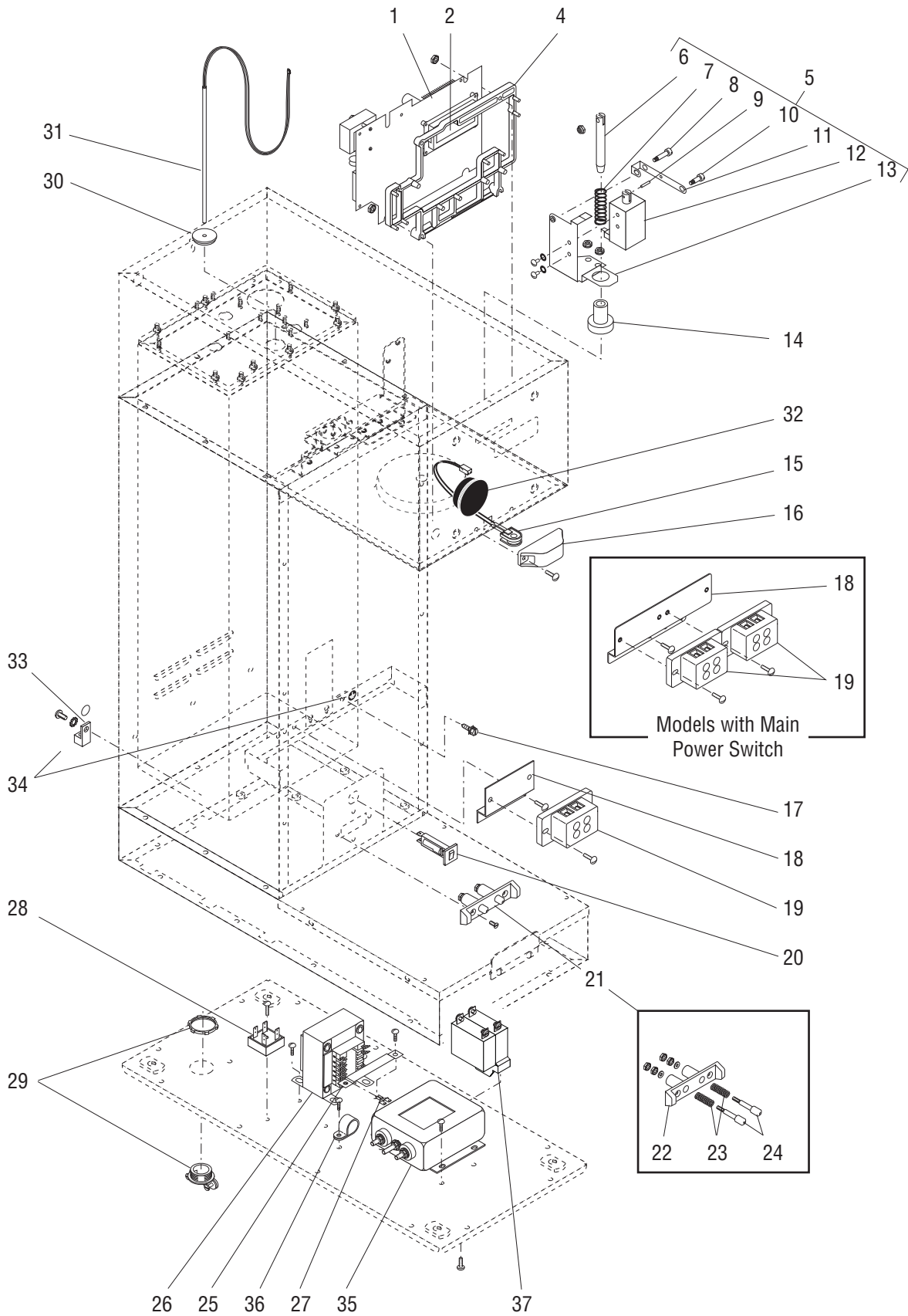
(Continued)

\* Indicates the part number listed is for reference only. See DESCRIPTION for possible service replacement.



# ELECTRICAL CONTROLS

SINGLE SH  
DBC



P2487.50

## ELECTRICAL CONTROLS

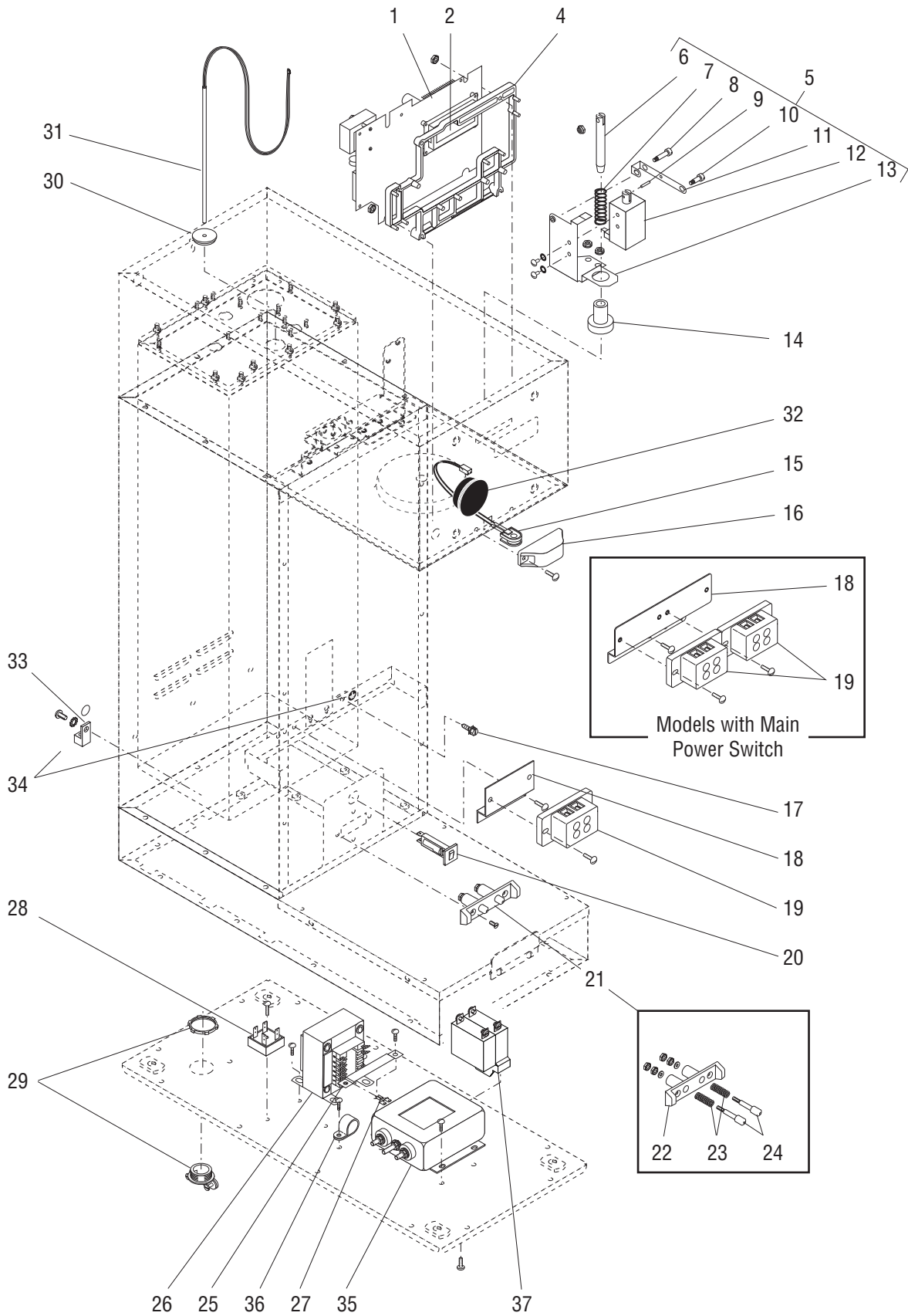
ITEM	PART NO.	QTY.	DESCRIPTION
20	27181.0001	1	Circuit Breaker, 4 amp
21	27790.1000	1	Receptacle Assembly, Spring Contact (Includes items 22, 23 & 24)
	20608.0000	2	Screw, Flat Head #6-32 x .375" SST Black
22	27746.0000	1	Housing, Spring Contact
23	27788.0000	2	Spring
24	27748.0000	2	Pin, Contact
	01521.0000	2	Washer, Flat
	00973.0000	4	Nut, Keps #6-32 - Zinc Pl
25	28264.0000	1	Strap, Transformer Holddown
	01347.0000	2	Screw, Truss Head #6-32 x .375"
26	27253.0001	1	Transformer, 80VA, (120V & 120/240V models)
	29179.0001	1	Transformer, 115/230V-24V (200V & 230V models)
	01347.0000	2	Screw, Truss Head #6-32 x .375"
27	26722.0000	2	Adapter, Spade
28	22126.0000	1	Rectifier
	02367.0000	1	Screw, Truss Head #6-32 x .625"
29	01590.0000	1	Connector, Cable (120V & 120/240V models)
	32833.0000	1	Strain Relief, Cord (200V & 230V models)
	01531.0000	1	Washer, Reducing (230V models)
30	12570.0000	1	Grommet, Temperature Sensor
31	29327.0000	1	Probe Kit, Temperature/Dry Plug
32	32018.0000	1	Bumper
33	27705.0000	1	Terminal Lug #6-14 AWG (230V models only)
	01327.0000	1	Screw, Pan Head Slotted #10-32 x .38"
	01512.0000	1	Lockwasher, Ext. tooth #10 Zinc Plated
34	00824.0000	2	Decal, Ground
	29446.0002	1	EMI Filter, 30 AMP (200V & 230V Models)
	01347.0000	4	Screw, Truss Head #6-32 x .625"
35	01510.0000	1	Lockwasher, Ext. tooth #6 Zinc Plated
	00610.0000	1	Clamp
36	01347.0000	1	Screw, Truss Head #6-32 x .625"
	38894.0001	1	Switch, Main Power (Not used on all models)
37	01308.0002	2	Screw, Truss Head #6-32 x .25" (Switch Mounting)
	01327.0000	4	Screw, Pan Head #10-32 x .375"
	01512.0000	4	Lockwasher, External Tooth #10
Note: The following parts are not illustrated			
38	32647.0000	1	Wiring Harness, Main 120/240V (Brewers prior to 08/01/05)
	32647.0007	1	Wiring Harness, Main 120/240V (Brewers after 08/01/05)
	32647.0003	1	Wiring Harness, Main 230V (Brewers prior to 08/01/05)
	32647.0008	1	Wiring Harness, Main 230V (Brewers after 08/01/05)
	32647.0004	1	Wiring Harness, Main 200V (Brewers prior to 08/01/05)
	32647.0009	1	Wiring Harness, Main 200V (Brewers after 08/01/05)
	32647.0011	1	Wiring Harness, Main 200V (Brewers with Product # 33600.0019 only)

(Continued)



# ELECTRICAL CONTROLS

SINGLE SH  
DBC



P2487.50

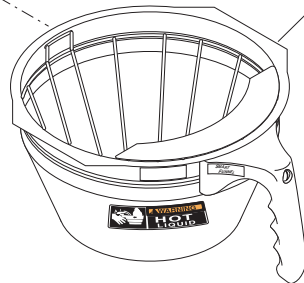
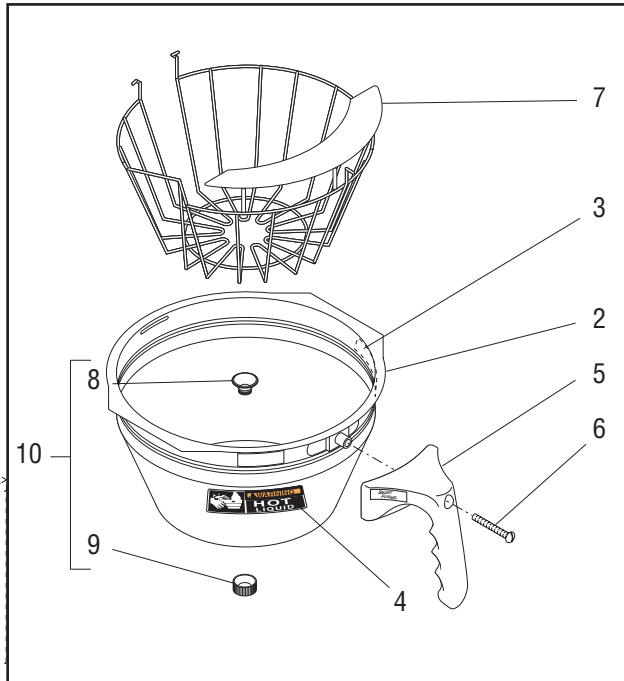
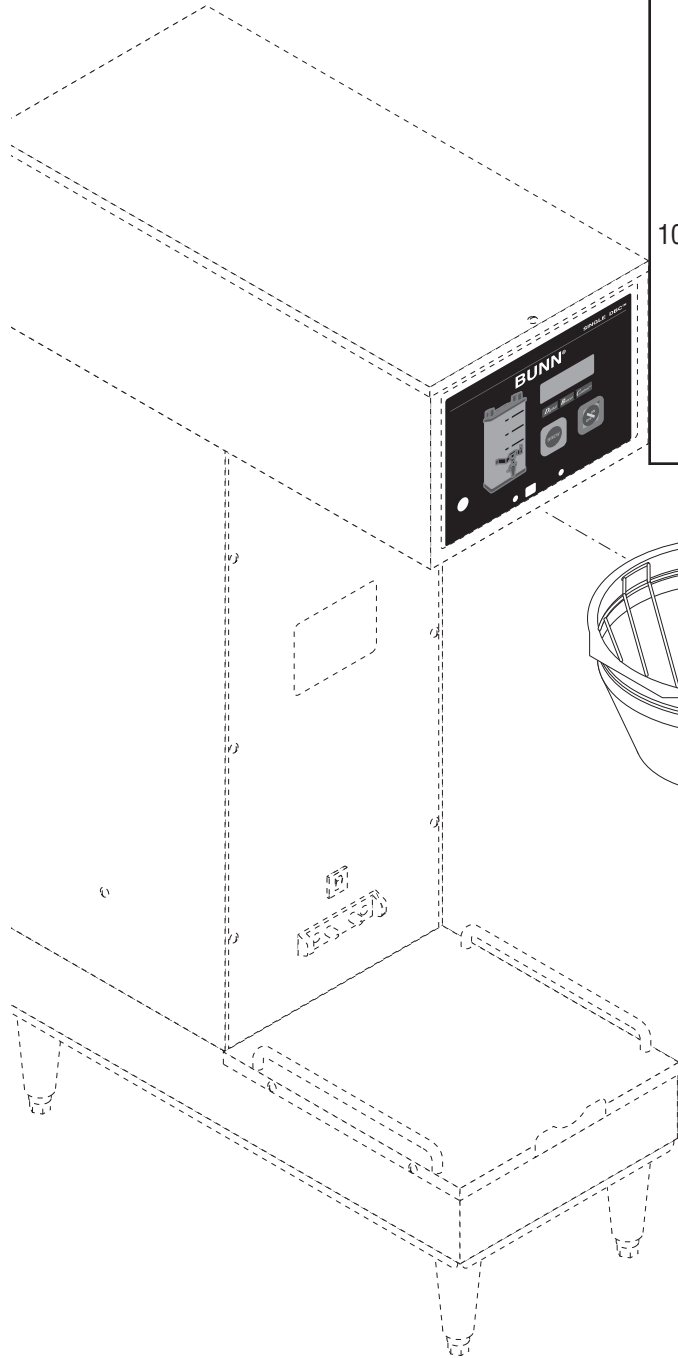
## ELECTRICAL CONTROLS

ITEM	PART NO.	QTY.	DESCRIPTION
39	27791.0001	1	Wiring Harness, Transformer (120V & 120/240V models)
	27791.0004	1	Wiring Harness, Transformer (200V & 230V models)
40	37859.0004	1	Wiring Harness, Main Power Switch
41	03851.0000	2	Wire Nut (Not used on 230V Models)
42	02244.0000	1	Jumper, Two-position (Used for programming Control Board)
43	34707.0000	1	Wiring Harness, EMI Filter to Terminal Block 230V
	34707.0003	1	Wiring Harness, EMI Filter to Terminal Block 200V
44	27945.0005	1	Thermal Cut-off w/Lead Red 51" (230V)
45	38338.0000	-	Kit, Funnel Sensors (Includes Funnel Sensor Coils W/Leads)
46	23799.0001	1	Cord Assy, Power (120V)



# FUNNEL

SINGLE SH  
DBC



P2502.50

## FUNNEL

ITEM	PART NO.	QTY.	DESCRIPTION
1	32643.0000	1	Funnel Assy, SST (Includes Items 2 thru 9)
2	24462.0002	1	Funnel W/Decals (Includes items 3 & 4)
3	03408.0004	1	Decal, Caution-Remove Funnel
4	03409.0004	1	Decal, Caution-Hot Liquid
5	32595.0000	1	Handle, Funnel-Black (Includes item 6)
6	12499.0002	1	Screw, Round Head .25" - 20 x 1.50"
7	33089.0000	1	Filter Basket W/Splash Guard
8	32139.0000	1	Insert, Funnel Tip - Male (Refer to item 10)
9	32140.0000	1	Insert, Funnel Tip - Female (Refer to item 10)
10	01031.0001	-	Funnel Tip Kit (Includes items 8 & 9)

## NUMERICAL INDEX

PART NO.	PAGE NO.	PART NO.	PAGE NO.	PART NO.	PAGE NO.	PART NO.	PAGE NO.
00310.0002.....	15	01521.0000.....	25	20202.1601.....	21	26528.0000.....	5
00400.0001.....	13	01531.0000.....	25	20203.0100.....	9	26622.0001.....	9
00423.0000.....	15	01532.0000.....	15	20526.1500.....	13	26722.0000.....	25
00436.0001.....	15	01544.0000.....	21	20541.0001.....	9	26846.0000.....	19
00459.0000.....	15	01590.0000.....	25	20608.0000.....	25	26846.0001.....	19
00463.0000.....	15	01592.0001.....	13	20621.0000.....	23	26846.0002.....	19
00610.0000.....	25	01975.0000.....	13	20936.1000.....	9	26924.0000.....	19
00619.0000.....	7	02244.0000.....	27	20937.0000.....	13	27181.0001.....	25
00656.0000.....	5	02308.0000.....	5,7,11,13,23	20976.0003.....	21	27253.0001.....	25
00658.0000.....	5	02328.0003.....	9	20976.0006.....	17	27370.0003.....	17
00824.0000.....	25	02336.0000.....	5	20976.0006.....	19	27370.0004.....	17
00831.0000.....	5	02367.0000.....	25	20976.0036.....	21	27370.0005.....	17
00908.0000.....	9,11,13	02434.1000.....	9	20976.0045.....	17	27473.0000.....	9
00916.0000.....	5	02536.0000.....	9,13	20976.0051.....	17	27596.1750.....	15
00935.0000.....	15	02594.0000.....	21	20976.0065.....	21	27705.0000.....	25
00946.0000.....	9	02595.0000.....	21	20976.0066.....	21	27744.1001.....	5
00970.0000.....	5,7,17,23	02766.0000.....	21	20976.1000.....	17,19,21	27744.1002.....	5
00971.0000.....	11	02854.0000.....	21	20976.1001.....	17,19,21	27744.1006.....	5
00971.0000.....	9	02856.0005.....	21	20976.1002.....	17,19,21	27744.1007.....	5
00973.0000.....	23,25	02858.0000.....	21	21136.0001.....	19,21	27746.0000.....	25
00985.0000.....	7	02861.0003.....	21	21180.0001.....	13	27748.0000.....	25
00991.0000.....	23	03236.0007.....	9	21181.0000.....	13	27763.0000.....	5
01031.0001.....	29	03236.1001.....	9	21537.0001.....	7	27763.0001.....	5
01075.0000.....	19	03236.1002.....	9	21801.0002.....	9	27763.0003.....	5
01079.0000.....	13	03236.1003.....	9	21812.0007.....	13	27763.0004.....	5
01082.0000.....	19	03408.0004.....	29	22126.0000.....	25	27763.0006.....	5
01082.0002.....	19	03409.0004.....	29	22249.0000.....	13	27763.0008.....	5
01085.0000.....	13	03633.0000.....	9	22300.0500.....	13	27788.0000.....	25
01085.0002.....	13	03803.0000.....	9	22305.0000.....	19	27790.1000.....	25
01085.1006.....	13	03803.0002.....	9	22305.0002.....	19	27791.0001.....	25
01085.1007.....	13	03807.0000.....	9	22305.0003.....	19	27791.0004.....	25
01100.0000.....	13	03851.0000.....	27	22728.0000.....	9	27945.0005.....	27
01101.0000.....	13	03996.0000.....	5	22960.1008.....	11	28005.0000.....	13
01106.0000.....	23	05515.0000.....	13	22976.0001.....	11	28020.0000.....	13
01106.0001.....	23	07038.0000.....	23	22976.0004.....	11	28021.0000.....	13
01106.0003.....	23	07038.0001.....	23	22978.0000.....	11	28264.0000.....	25
01111.0000.....	13	11517.0008.....	19	22992.0001.....	13	28479.0000.....	13
01111.0002.....	13	11630.0002.....	11	23004.0000.....	23	28480.0000.....	13
01116.0000.....	13	12249.0001.....	5	23015.0001.....	13	28481.0000.....	13
01154.0000.....	13	12305.1000.....	9	23193.0000.....	11	28897.0000.....	23
01155.0000.....	13	12322.1000.....	9	23254.0000.....	19	28909.0000.....	11
01308.0002.....	25	12398.0002.....	9	23255.0000.....	19	29075.0000.....	21
01309.0000.....	23	12422.0000.....	9	23256.0000.....	19	29179.0001.....	25
01315.0000.....	13	12422.0001.....	17,19,21	23324.1000.....	11	29264.0000.....	21
01317.0000.....	23	12422.0005.....	17	23717.0003.....	9	29327.0000.....	25
01327.0000.....	13,25	12422.0008.....	19	23721.0000.....	13	29421.0000.....	11
01347.0000.....	7,25	12422.0009.....	11,17	23799.0001.....	27	29446.0002.....	25
01375.0000.....	23	12451.1000.....	9	24462.0002.....	29	29492.0000.....	23
01382.0003.....	5	12499.0002.....	29	24614.0001.....	13	29493.0000.....	23
01382.0007.....	23	12524.1000.....	9	24684.0000.....	15	29494.0000.....	23
01501.0000.....	9	12565.0011.....	9	25151.0000.....	5	29495.0000.....	23
01502.0000.....	13	12565.0013.....	9	25160.0001.....	13	29499.1000.....	23
01510.0000.....	25	12570.0000.....	25	25766.0000.....	5	29499.1001.....	23
01512.0000.....	23,25	13054.0000.....	21	25766.0001.....	5	29503.0000.....	23
01519.0000.....	13,23	13255.0003.....	7	26207.0000.....	7	29503.0001.....	23
01520.0000.....	9	20201.5600.....	5	26247.0001.....	23	29504.0000.....	23

## NUMERICAL INDEX

PART NO.	PAGE NO.	PART NO.	PAGE NO.	PART NO.	PAGE NO.	PART NO.	PAGE NO.
29504.0001.....	23	36407.0000.....	5				
29891.1000.....	5	37541.0000.....	11				
29891.1003.....	5	37859.0004.....	27				
29969.1000.....	23	37881.0000.....	5				
29969.1003.....	23	38338.0000.....	27				
29969.1004.....	23	38342.0001.....	13				
29969.1025.....	23	38342.0002.....	13				
29973.0000.....	5	38358.1000.....	23				
32018.0000.....	25	38358.1004.....	23				
32043.0000.....	5	38358.1006.....	23				
32043.0004.....	5	38894.0001.....	25				
32043.0006.....	5	39248.0000.....	23				
32139.0000.....	29	39803.0000.....	7				
32140.0000.....	29	40726.0000.....	23				
32241.0000.....	11	41184.0000.....	21				
32242.0000.....	11	M2517.0000.....	21				
32242.0002.....	11	M2522.1000.....	9				
32572.1001.....	23						
32573.0000.....	23						
32591.0011.....	11						
32591.0019.....	17						
32591.1000.....	17						
32591.1002.....	11						
32595.0000.....	29						
32643.0000.....	29						
32647.0000.....	25						
32647.0003.....	25						
32647.0004.....	25						
32647.0007.....	25						
32647.0008.....	25						
32647.0009.....	25						
32647.0011.....	25						
32648.0000.....	17						
32649.0000.....	7						
32833.0000.....	25						
33089.0000.....	29						
33613.0000.....	23						
34020.0000.....	7						
34707.0000.....	27						
34707.0003.....	27						
34867.0004.....	19						
34868.0000.....	19						
34956.0001.....	19						
35052.0000.....	19						
35052.1000.....	19						
35070.0001.....	19						
35086.0000.....	11						
35308.1000.....	19						
35439.1000.....	11						
35493.1002.....	23						
36398.0000.....	7						
36404.1000.....	5						
36404.1001.....	5						
36406.0002.....	5						
36406.1000.....	5						
36406.1001.....	5						