



ILLUSTRATED PARTS CATALOG

For Technical Service, contact Bunn-O-Matic Corporation at 1-800-286-6070.

Bunn-O-Matic Corporation
Post Office Box 3227, Springfield, Illinois 62708-3227
Phone (217) 529-6601 | Fax (217) 529-6644

BUNN-O-MATIC COMMERCIAL PRODUCT WARRANTY

Warranty statements and information can be found on our website. Please visit <https://commercial.bunn.com/support/warranty-lookup> for further details.

TABLE OF CONTENTS

TWIN HOOD AND TOP COVERS.....	4
SINGLE HOODS AND TOP COVERS.....	6
TRUNKS.....	8
BASES.....	12
TANK AND COMPONENTS	16
DISPENSE VALVE, SPRAYHEAD AND FAUCET	18
FILL SOLENOID VALVE AND DRAIN - EARLY MODELS	22
FILL SOLENOID VALVE AND DRAIN - LATER MODELS.....	24
WARMER ASSEMBLIES.....	26
ELECTRICAL AND OPERATING CONTROLS	28
FUNNELS	34
NUMERICAL INDEX	36

EXPLANATION OF CODES

- 15** - All components in machine are rated for 120 Volts ac, (15 Amps)
- 20** - All components in machine are rated for 120 Volts ac, (20 Amps)
- 35** (120/240V) - Tank heater rated for 240 volts ac, all other components rated for 120 volts ac (20 Amps)
- DV** - Dual Voltage. 2 tank heaters with toggle switch
- "SINGLE AXIOM"** - Replaced "SINGLE CDBC" 15" trunk, brew station warmer only, FULL/HALF batch
- A** - All components in machine are rated for 240 volts ac.
- B** - All components are rated for either 100 volts ac, or 200 volts ac.
- CE** - All components are rated for 230 volts ac for use in Europe.
- TWIN** - 2 brewers in 1 chassis.
- APS** - Airpot Server (No warmers)
- TC** - Thermal Carafe (No warmers)
- TS** - Thermal Server (No warmers)

Fraction	Decimal	Fraction	Decimal
1/16	0.063	9/16	0.563
1/8	0.125	5/8	0.625
3/16	0.188	11/16	0.688
1/4	0.250	3/4	0.750
5/16	0.313	13/16	0.813
3/8	0.375	7/8	0.875
7/16	0.438	15/16	0.938
1/2	0.500	1	1.000

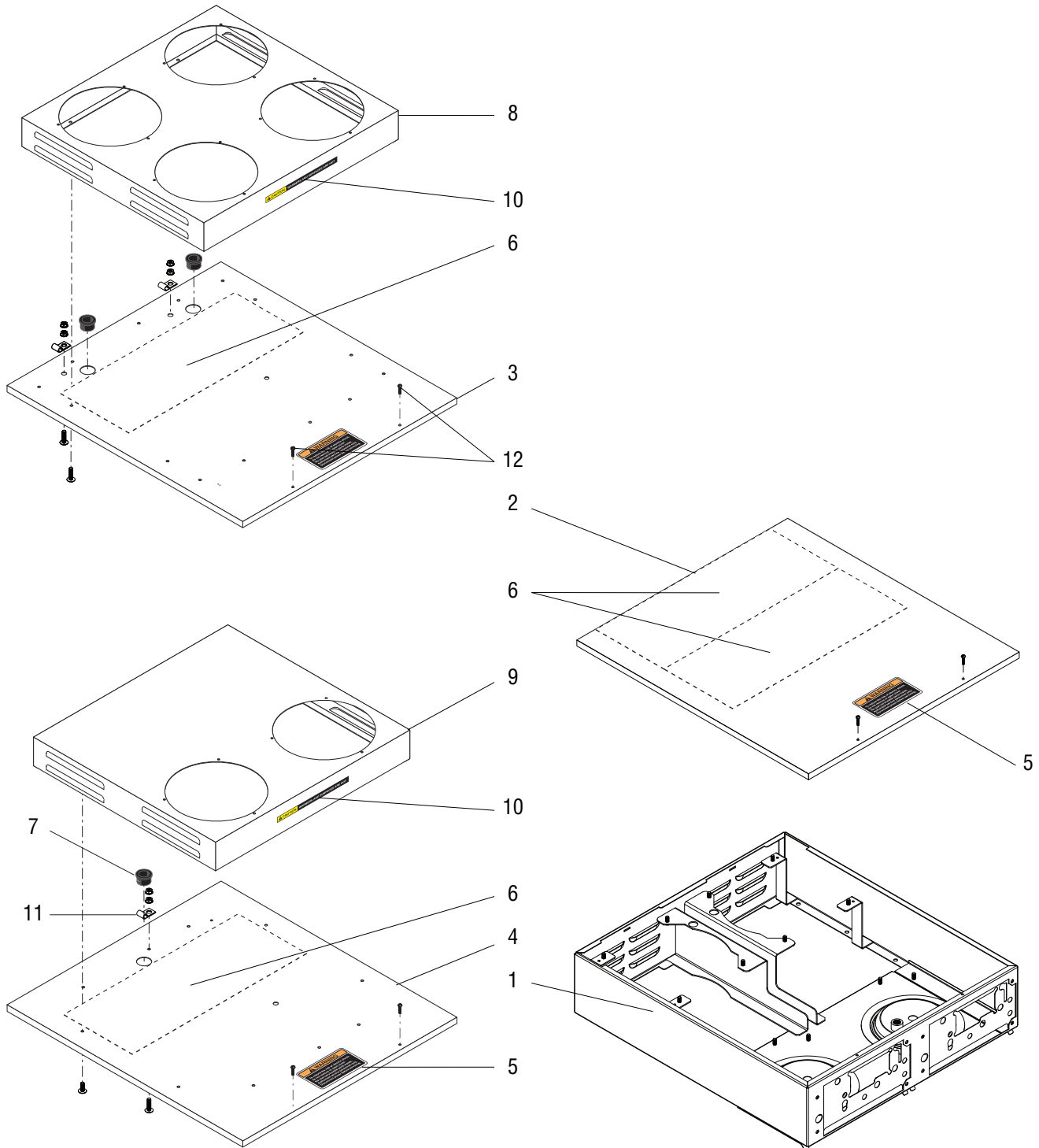
TIPS: _____



To **Search/Find** content in this document, use "**Ctrl+F**" (PC)

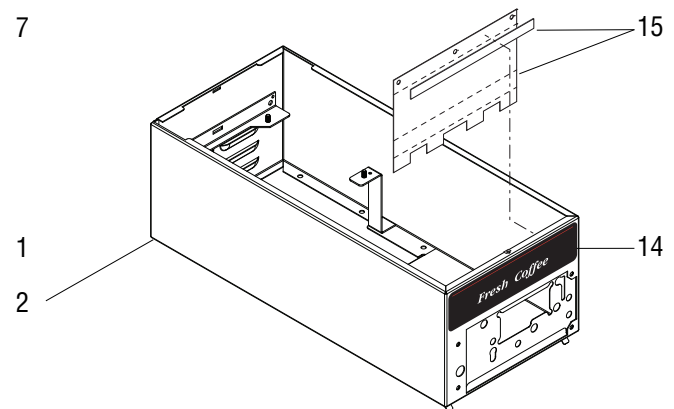
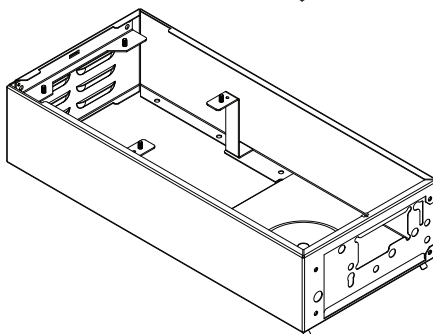
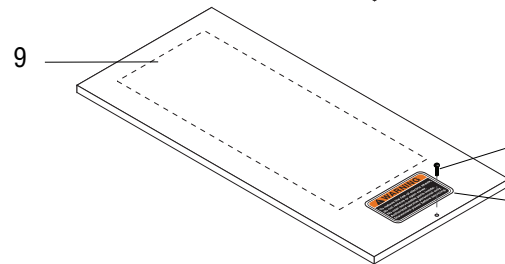
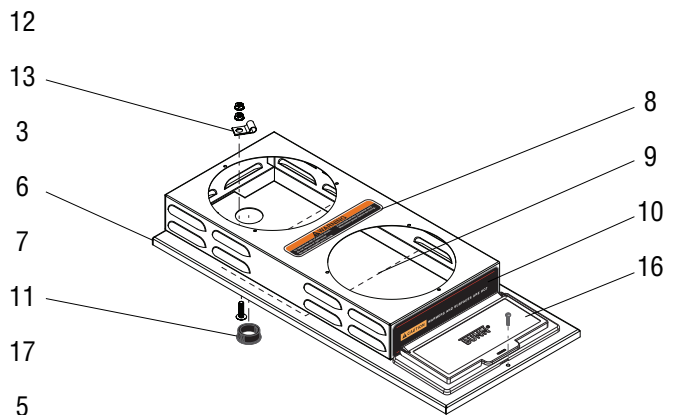
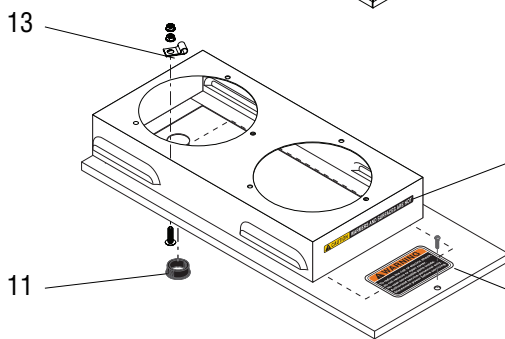
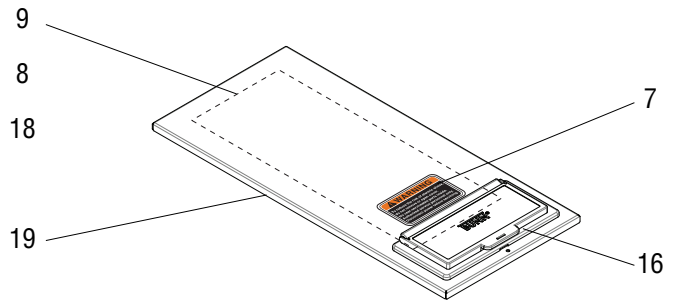
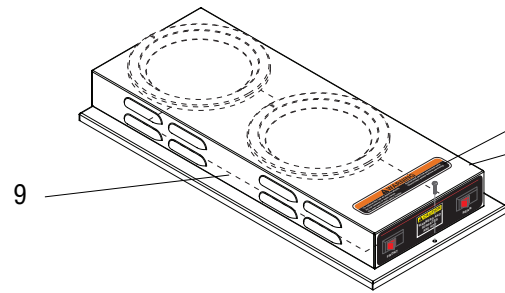
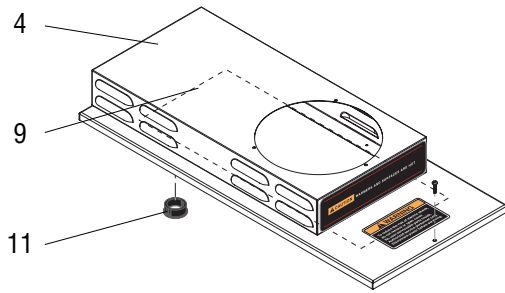


To **Search/Find** content in this document, use "**Command+F**" (Mac)



TWIN HOOD AND TOP COVERS

ITEM	PART NO.	QTY.		DESCRIPTION
		TWIN	SINGLE	
1	29314.1007	1		Housing, Hood (Twins)
	02308.0000	8		Screw # 8-32 x .375"
2	23260.1004	1		Cover, Top No Warmers 0/6 & APS Twins (Includes Items 5 & 6)
3	23260.1005	1		Cover, Top 4/2 Twins (Includes Items 5 & 6)
4	25864.1001	1		Cover, Top 2/2 Twins (Includes Items 5 & 6)
5	37881.0000	1		Decal, No User Serviceable Parts
6	25151.0007	#		Shield, Level Probe Insulator 5.25" x 13.325"
7	01592.0000	#		Bushing, Snap 1.0" Dia.
8	24254.0001	1		Housing, Warmer 4/2 Models (Includes item 10)
	01347.0000	10		Screw, Truss Head #6-32 x .38"
9	24254.0002	1		Housing, Warmer 2/2 Models (Includes item 10)
	01347.0000	10		Screw, Truss Head #6-32 x .38"
10	12364.0000	1		Decal, Caution-Warmers are Hot
11	41760.1000	2		Clip, Cable - SST (Includes screw & nuts)
	01326.0007	2		Screw, TRH SLTD 10-32x.75"
	00971.0000	4		Nut, Keps #10-32 Zinc Pl
12	01303.0000	2		Screw, Pan Head - SST #4-40 x .5"

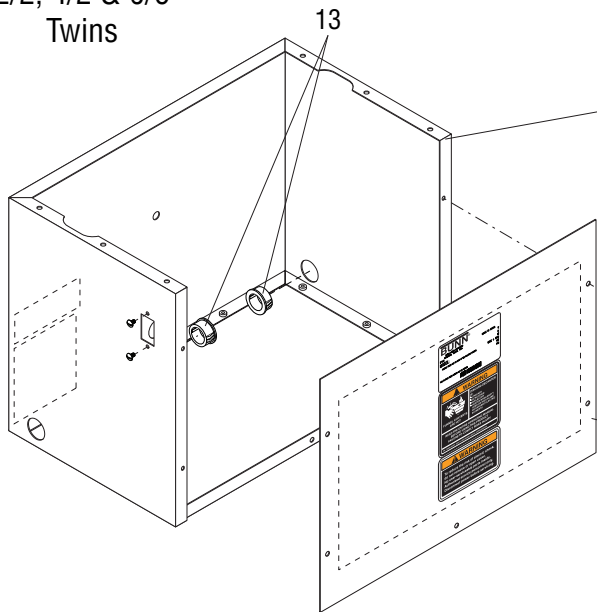


SINGLE HOODS AND TOP COVERS

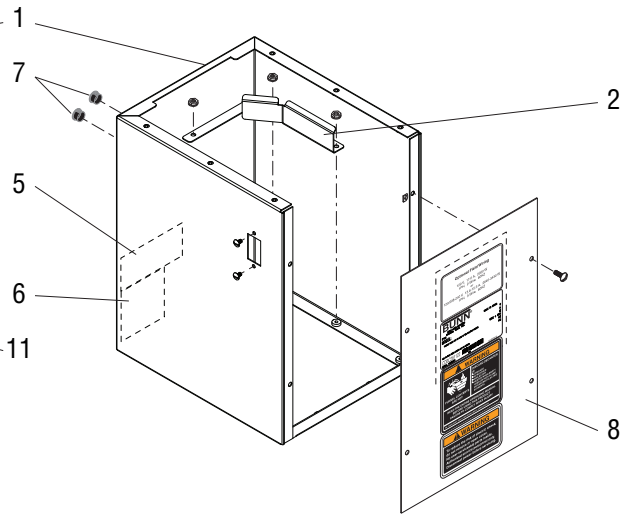
ITEM	PART NO.	QTY.		DESCRIPTION
		TWIN	SINGLE	
1	34063.0010	1		Housing, Hood SST (Singles)
	02308.0000	6		Screw # 8-32 x .375"
2	36757.1004	1		Housing, Hood SST (Pour in) (Includes Items 14 & 15)
	36757.1005*	1		Housing, Hood BLK (Pour in) (NO LONGER AVAILABLE)
	36757.1006	1		Housing, Hood SST (Pour in w/.75" Faucet hole) (Includes Items 14 & 15)
	02308.0000	6		Screw # 8-32 x .375"
3	34069.1000	1		Cover Assembly SST, 2 Warmer (Includes Items 7, 9 & 10)
	25312.1004	1		Cover Assembly BLK, 2 Warmer (Includes Items 7, 9 & 10)
4	25312.1007	1		Cover Assembly SST, 1 Warmer/Front (Includes Items 7, 9 & 10)
5	34070.1001	1		Cover, Top No Warmers (Includes Items 3, 4)
6	38496.1002	1		Cover Assembly SST, 2 Warmer (Includes Items 8-10 & 16) (Pour in only)
	38496.1006	1		Cover Assembly BLK, 2 Warmer (Includes Items 8-10 & 16) (Pour in only)
7	37881.0000	1		Decal, No User Serviceable Parts
8	37881.0002	1		Decal, No User Serviceable Parts (Pour in Model only)
9	25151.0000	1		Shield, Level Probe Insulator 5.0" x 7.312" (Pour in Model only)
	25151.0007	1		Shield, Level Probe Insulator 5.25" x 13.325" (All Models Except Pour in)
10	02763.0000	1		Decal, Caution-Warmers and Surfaces are Hot
11	01592.0000	1		Bushing, Snap 1.0" Dia.
12	12364.0000	1		Decal, Caution-Warmers are Hot
13	41760.1000	1		Clip, Cable - SST (Includes screw & nuts)
	01326.0007			Screw, TRH SLTD 10-32x.75LG
	00971.0000	2		Nut, Keps #10-32 Zinc Pl
14	32143.0000	1		Decal "Fresh Coffee" (Pour in only)
15	37182.0001	1		Board Shield Kit (Pour in only)
16	38498.1000	1		Flip Lid Assembly (Pour in only)
17	01303.0000	1		Screw, Pan Head - SST #4-40 x .5"
	01303.0002	1		Screw, Pan Head - BLK #4-40 x .5"
18	41841.1000	1		Cover Assy, SST, 2 Wmr w/Sw (Includes Decals, Switches, Warmers, & Harness)
	11444.0000	2		Switch, Lighted - 120V
	41840.0000	1		Wiring Harness
	02765.0002	1		Decal, Caution-Warmers and Surfaces are Hot (Switch Cut Out)
	03652.0000	2		Warmer Assembly, 120V 100W
19	38503.1000	1		Cover Assembly, Pour in SST, (Includes Items 8 & 16)



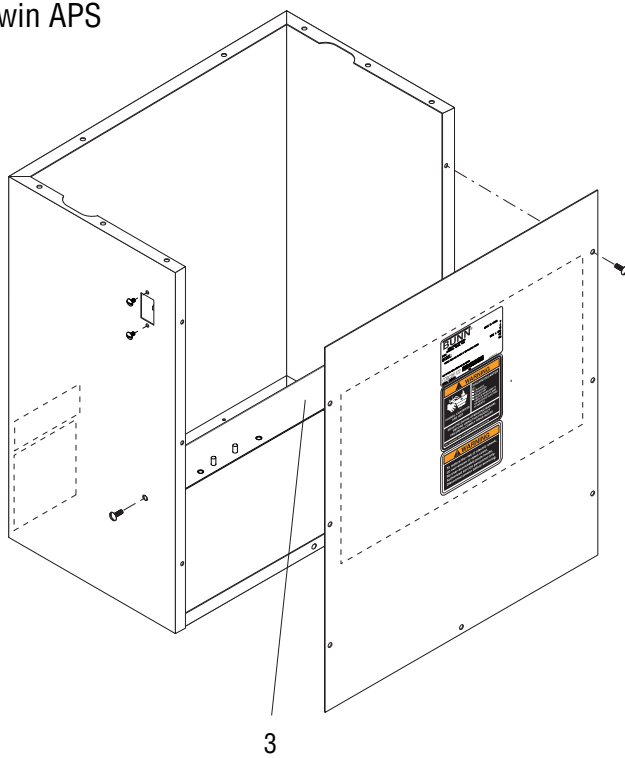
2/2, 4/2 & 0/6
Twins



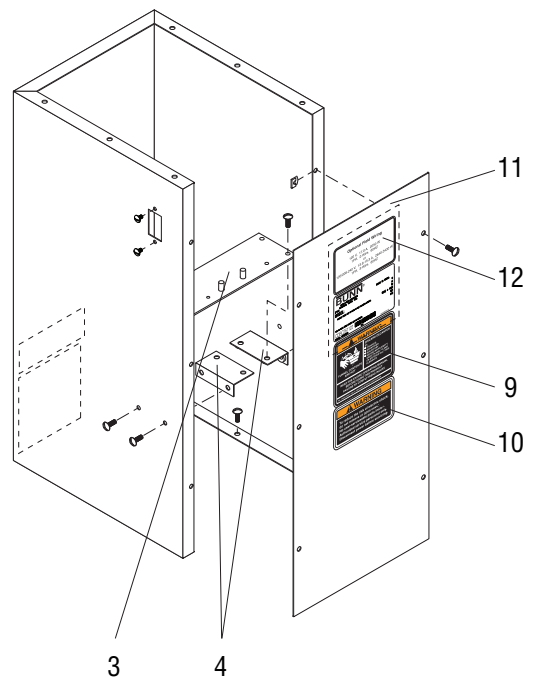
Standard Trunk



Twin APS



APS Shown, TC Similar



NOTE: Second style trunks shown (rectangular switch hole)
For newer models with toggle switch, refer to first style trunks
on next page.

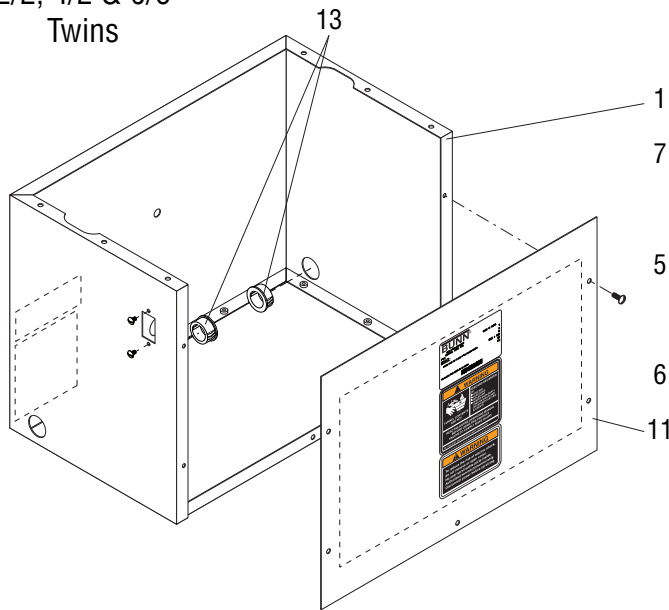
TRUNKS

ITEM	PART NO.	QTY. TWIN	QTY. SINGLE	DESCRIPTION	
1	34061.1000	-	1	Trunk, SST, 11.69" Standard (No Switch)	
	25352.0005	-	1	Trunk, BLK, 11.69" Standard (No Switch)	
	34061.1020	-	1	Trunk, SST, 11.69" Standard (w/Rocker Switch)	
	34061.0018	-	1	Trunk, BLK, 11.69" Standard (w/Rocker Switch)	
	34061.1001	-	1	Trunk, SST, 12.39" TC (No Switch)	
	34061.1021	-	1	Trunk, SST, 12.39" TC (w/Rocker Switch)	
	34061.1010	-	1	Trunk, SST, 15.69" Single Axiom (No Switch)	
	41402.1108	-	1	Trunk, SST, 15.69" Single Axiom (w/ON/OFF Toggle Switch)	
	34081.1000	-	1	Trunk, SST, 18.15" APS (No Switch)	
	34208.1008	-	1	Trunk, SST, 18.15" APS (w/Rocker Switch)	
	34061.1011	-	1	Trunk, SST, 22.16" TS	
	32325.0000	1	-	Trunk, SST, Twin APS (No Switch)	
	32159.1002	1	-	Trunk, SST, Twin APS (w/Rocker Switch)	
	29581.0000	1	-	Trunk, SST, 2/2, 4/2 & 0/6 Twins (No Switch)	
	23294.1009	1	-	Trunk, SST, 2/2, 4/2 & 0/6 Twins (w/Rocker Switch)(w/o Bushings)	
	23294.1014	1	-	Trunk, SST, 2/2, 4/2 & 0/6 Twins (w/Rocker Switch) (w/Bushings)	
	02308.0000	9	9	Screw SST #8-32 x .38"	
	00970.0000	8	-	Nut, Keps #8-32 (Twin - APS Only)	
	00988.0000	7	6	Fastener, "U" Type #6-32	
2	37930.0001	-	1	Channel, Cordset	
	00970.0000	-	3	Nut, Keps #8-32	
3	26287.0000	1	-	Bracket, Component Mounting (APS Only)	NOTE: For newer models with toggle switch, refer to first style (no switch) trunks. All trunks include decals 5 & 6.
	22733.0000	-	1	Bracket, Component Mounting (APS/TS Only)	
	02308.0000	2	4	Screw #8-32 x .38"	
4	27929.0000	-	2	Bracket, (APS/TS Only)	
	02308.0000	-	4	Screw #8-32 x .38"	
5	00656.0001	1	1	Decal, Compliance To Plumbing Code	
6	00986.0000	1	1	Decal, Warning-Electrical	
7	00669.0003	-	2	Plug	
8	11408.1002	-	1	Panel, SST, 11.645" Standard (Includes 9,10)	
	11408.1005	-	1	Panel, BLK, 11.645" Standard (Includes 9,10)	
	11408.1006	-	1	Panel, SST, 12.328" TC (Includes 9,10)	
	22730.1002	-	1	Panel, SST, 18.09" APS (Includes 9,10)	
	22730.1006	-	1	Panel, SST, 15.63" Single Axiom (Includes 9,10)	
	22730.1103	-	1	Panel, SST, 22.16" TS (Includes 9,10)	
	01382.0000	-	6	Screw, SST #6-32 x .38"	
	01382.0002	-	6	Screw, BLK #6-32 x .38"	
	26283.1000	1	-	Panel, SST, Twin APS (Includes 9,10)	
	23267.1000	1	-	Panel, SST, 4/2 & 0/6 Twins (Includes 9,10)	
	01315.0000	5	-	Screw, SST #8-32 x .38" (7 Used on APS)	
9	00658.0000	1	1	Decal, Warning-Decanter/Funnel	
10	37881.0000	1	1	Decal, No User Serviceable Parts	

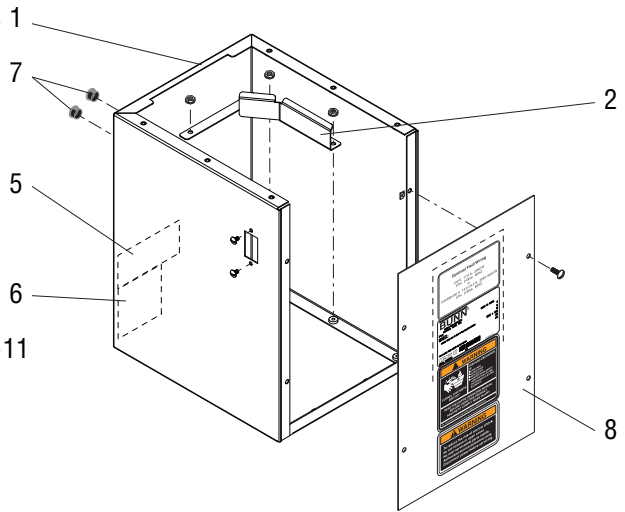
Continued on next page



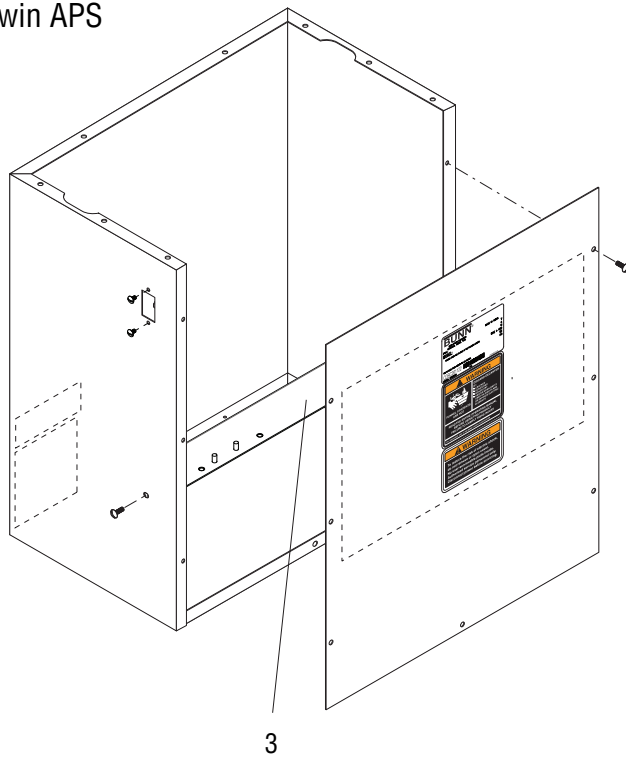
2/2, 4/2 & 0/6
Twins



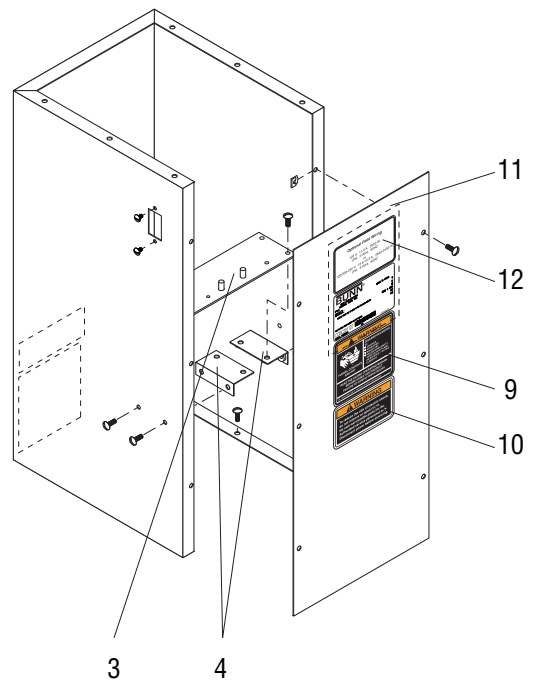
Standard Trunk



Twin APS



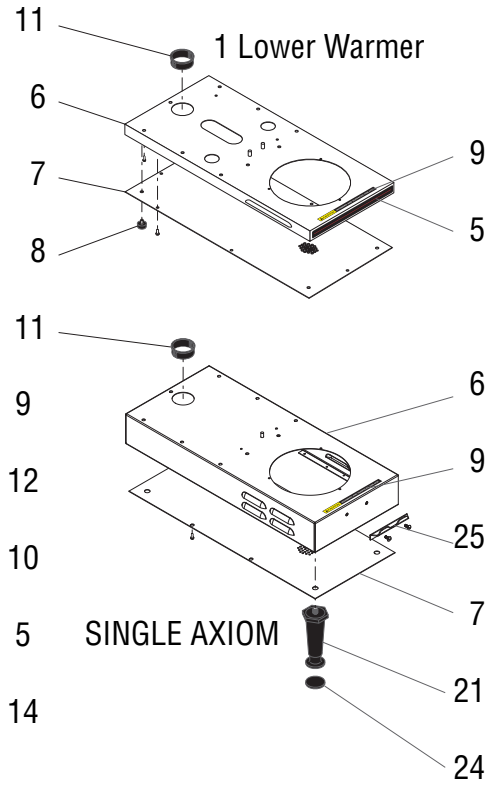
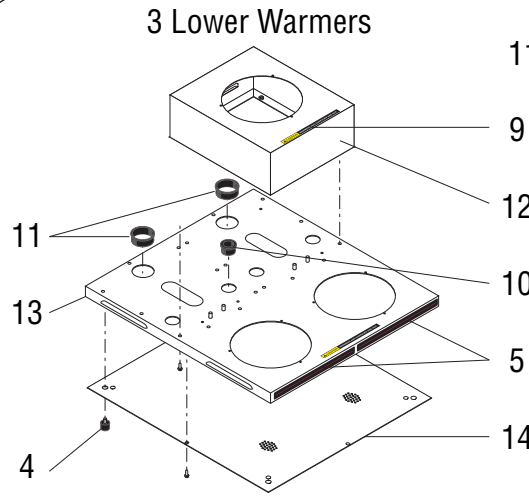
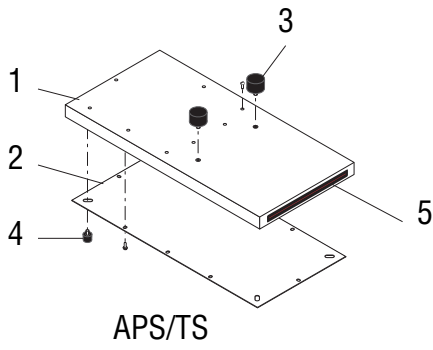
APS Shown, TC Similar



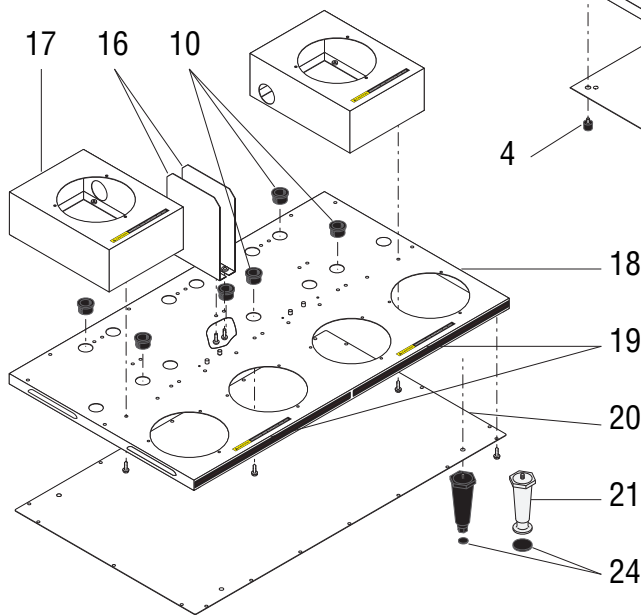
NOTE: Second style trunks shown (rectangular switch hole)
For newer models with toggle switch, refer to first style
trunks on next page.

TRUNKS

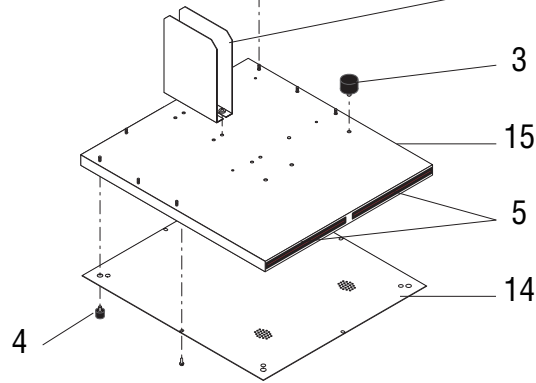
ITEM	PART NO.	QTY.	QTY.	DESCRIPTION	
		TWIN	SINGLE		
11	29077.0006	-	1	Schematic, Axiom-15, 20, 35, 120/208-240V	
	29077.0007	-	1	Schematic, Axiom 230V	
	29077.0008	-	1	Schematic, Axiom DV	
	29077.0014	1	-	Schematic, Axiom Twin 0/6	
	29077.0015	1	-	Schematic, Axiom Twin 2/2	
	29077.0016	-	1	Schematic, Axiom 100V APS	
	29077.0017	-	1	Schematic, Axiom 230V APS	
	29077.0019	-	1	Schematic, <u>Single</u> Axiom 120V & 120/240V w/Half Batch	
	29077.0020	-	1	Schematic, Axiom 100V w/Half Batch	
	29077.0022	1	-	Schematic, Axiom Twin APS	
	29077.0032	1	-	Schematic, Axiom Twin 4/2	
	12	29710.0007	-	1	Decal, Optional Field Wiring (3 Warmer) (DV Only)
		29710.0008	-	1	Decal, Optional Field Wiring (APS/TC) (DV Only)
13	01592.0000	2	-	Bushing	



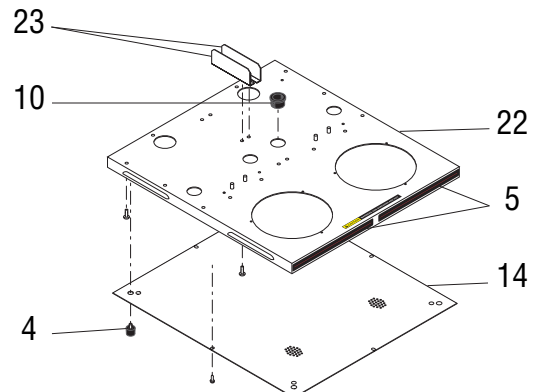
TWIN-0/6



TWIN-APS



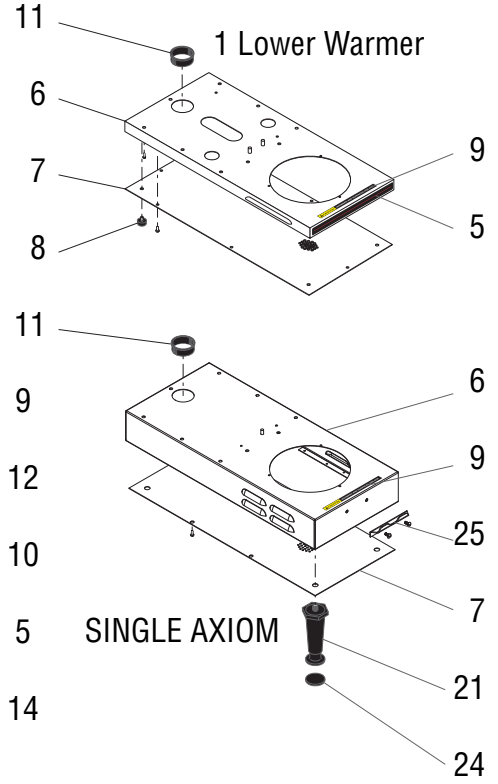
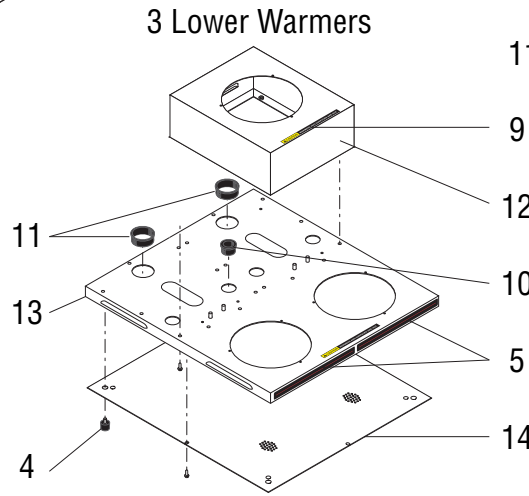
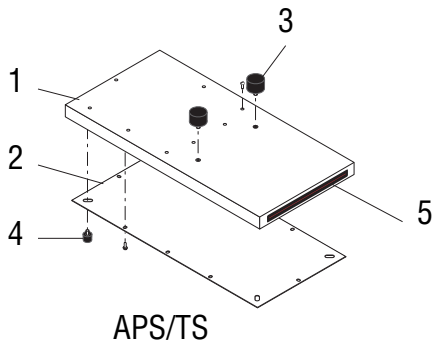
TWIN-2/2 & 4/2



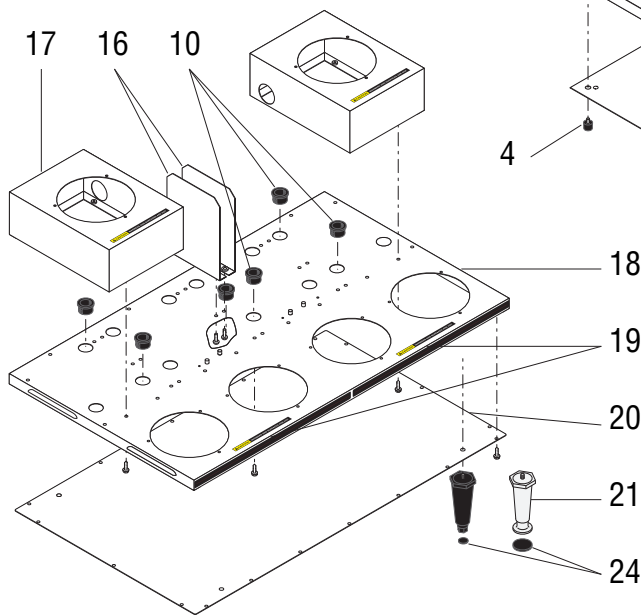
BASES

ITEM	PART NO.	QTY.		DESCRIPTION
		TWIN	SINGLE	
1	23321.0000	-	1	Base w/Decals, SST (Includes Item 5) APS
	23321.0001	-	1	Base w/Decals, SST (Includes Item 5) TS
	23321.0002	-	1	Base w/Decals, SST (Includes Item 5) APS (CE)
	23321.0003	-	1	Base w/Decals, SST (Includes Item 5) TS (CE)
	23321.0004	-	1	Base w/Decals, BLK (Includes Item 5) APS
2	22999.0000	-	1	Plate, Base
	02332.0002	-	8	Screw, Hex-Crimptite #6-32 x .38"
3	00754.0001	4	2	Locator
4	25137.0001	-	4	Foot
	24600.0000	-	-	Set of 4 feet
5	22306.0000	2	1	Decal, Red Decorative Stripe
6	25351.0000	-	1	Base, 1 Warmer w/Decals, SST (Includes Items 5 & 9)
	25351.0001	-	1	Base, 1 Warmer w/Decals, SST (Includes Items 5 & 9) (CE)
	25351.0002*	-	1	Base, 1 Warmer w/Decals, BLK (OBS)
	34065.1001	-	1	Base, 1 Warmer w/Decals, SST (Single Axiom Only)
7	24805.0000	-	1	Plate, Base 1 Warmer
	24805.0002	-	1	Plate, Base 1 Warmer (Single Axiom Only)
	02332.0002	-	4	Screw, Hex-Crimptite #6-32 x .38"
8	25137.0000	-	4	Foot
	35712.0000	-	-	Set of 4 feet
9	12364.0000	#	#	Decal, Caution-Warmers/Surfaces are Hot (Refer to Illustration for QTY.)
10	01592.0000	#	#	Bushing, Snap 1.0" (Refer to Illustration for QTY.)
11	01593.0000	#	#	Bushing, Snap 1.5" (Refer to Illustration for QTY.)
12	25658.0000	-	1	Housing, Side Warmer SST (Includes Item 9)
	25658.0002	-	1	Housing, Side Warmer BLK (Includes Item 9)
	02308.0000	-	7	Screw, #8-32 x .38"
13	25657.0000	-	1	Base, 3 Warmers w/Decals, SST (Includes Items 5 & 9)
	25657.0001	-	1	Base, 3 Warmers w/Decals, SST (Includes Items 5 & 9) CE
	25657.0002	-	1	Base, 3 Warmers w/Decals, BLK (Includes Items 5 & 9)
14	12667.0001	-	1	Plate, Base 3 Warmers
15	26413.0000	1	-	Base w/Decals, SST (Includes Item 5) TWIN-APS
	26413.0001	1	-	Base w/Decals, BLK (Includes Item 5) TWIN-APS
16	29822.0000	2	-	Guard, Wiring
	02308.0000	4	-	Screw, #8-32 x .38"
17	23698.1001	2	-	Housing, Side Warmer BLK (Includes # 9)
	23698.1002	1	-	Housing, Left Side Warmer SST (Includes # 9)
	23698.1003	1	-	Housing, Right Side Warmer SST (Includes # 9)
	02308.0000	14	-	Screw, #8-32 x .38"
18	24253.0001	1	-	Base w/Decals, SST (Includes Items 9 & 20) TWIN 0/6
	24253.0002	1	-	Base w/Decals, BLK (Includes Items 9 & 20) TWIN 0/6
	02308.0000	12	-	Screw, #8-32 x .38"

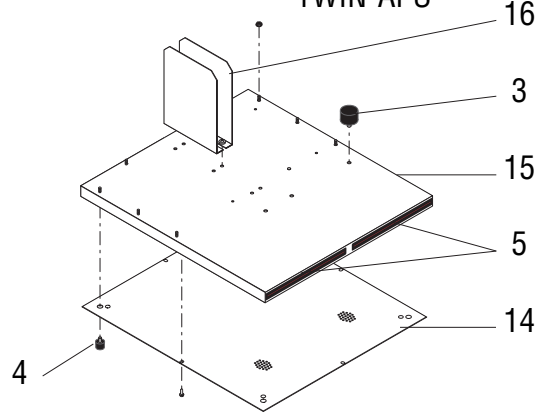
Continued on next page



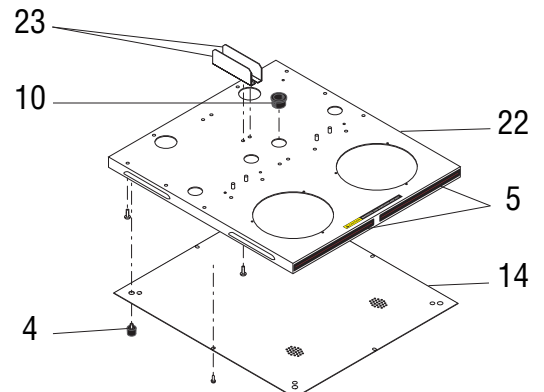
TWIN-0/6



TWIN-APS

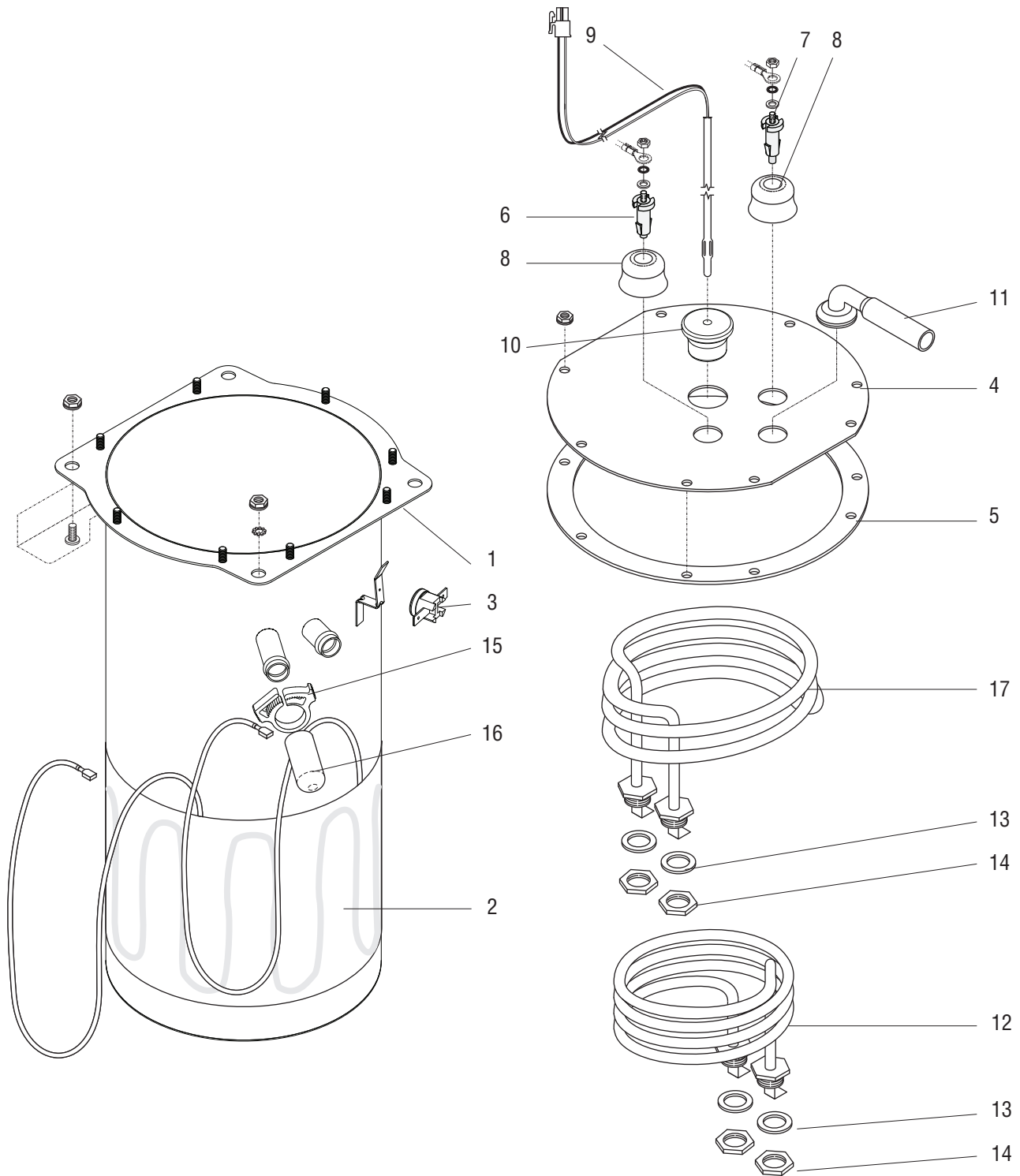


TWIN-2/2 & 4/2



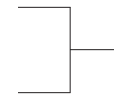
BASES

ITEM	PART NO.	QTY. TWIN	QTY. SINGLE	DESCRIPTION
19	24230.0000	2	1	Decal, Red Decorative Stripe
20	23329.0000 02332.0002	1 18	- -	Plate, Base, TWIN 0/6 Screw, Hex-Crimptite #6-32 x .38"
21	13255.0005 00511.0000 00511.1000 26528.0001	4 - - -	- - 4 1 4	Leg, 4" Adjustable, Black Plastic, .25"-20 (Obs. Order 26528.0001) Set of 4 Leg, 4" Adjustable, Satin Nickel (Optional) Set of 4 Leg, 4" Adjustable, Black Plastic, .25"-20 (Single Axiom Only)
22	24253.0000 24253.0003 02308.0000	1 1 12	- - -	Base w/Decals, SST (Includes Items 6 & 10) TWIN 2/2 & 4/2 Base w/Decals, BLK (Includes Items 6 & 10) TWIN 2/2 & 4/2 Screw, #8-32 x .38"
23	26953.0000 02308.0000	2 4	- -	Guard, Wiring Screw, #8-32 x .38"
24	03996.0000 03993.0000	4 -	- 4	Pad, 1.25" (4 used on Single Axiom Only) Pad, .70"
25	21104.0003 01347.0000	- -	1 2	Server Stop, Bolt On Screw, Trh Serr SST 6-32x .375"



TANK AND COMPONENTS

ITEM	PART NO.	QTY. TWIN	QTY. SINGLE	DESCRIPTION
1	33937.0003	2	1	Tank, (One Heater)
	33937.0004	-	1	Tank, DV (Two Heaters)
	00908.0000	10	5	Nut, #8-32
	01511.0000	2	1	Lockwasher, Ext. Tooth #8
2	04260.0000	2	1	Blanket Warmer 50W, 120V
	01927.0000	-	1	Blanket Warmer 50W, 220V
		-	1	Blanket Warmer 50W, 240V (Obsolete, Order # 01927.0000)
3	29329.1000	2	1	Thermostat, Limit
4	28735.0002	2	1	Tank Lid, 2 - Probe
	28735.0005	-	1	Tank Lid, 2 - Probe (PO)
	00908.0000	16	8	Nut #8-32
5	04221.0000	2	1	Gasket, Tank Lid
6	07412.1002	2	1	Probe Kit, Liquid Level 1.25"
7	07412.1003	2	1	Probe Kit, Brew Logic 1.625" (Blue Dot)
8	38114.0000	4	2	Grommet
9	39085.1001	2	1	Probe, Temperature Sensor 10.5"
10	50698.0000	2	1	Grommet, Temperature Sensor
11	38969.0003	2	1	Fitting, 90° Silicone
12	02755.1000	-	1	Tank Heater 1425W, 120V (Includes item 13)
	05037.1000	-	1	Tank Heater 3500W, 240V (Includes item 13)
	02805.1000	-	1	Tank Heater 1850W, 240V (Includes item 13)
	20942.1000	-	1	Tank Heater 3500W, 200V (Includes item 13)
	29669.1000	2	-	Tank Heater 3000W, 240V (Includes item 13)
13	00943.0000	4	2	Gasket, Tank Heater
14	00942.0000	4	2	Nut, Brass .5"-20
15	12422.0005	2	1	Clamp, SNP - 12
16	29279.0000	1	1	Cap
17	29485.1001	-	1	Tank Heater 2268W, 120V (DV Only) (Includes item 14)



Models without Faucet
& Right Side of TWINS

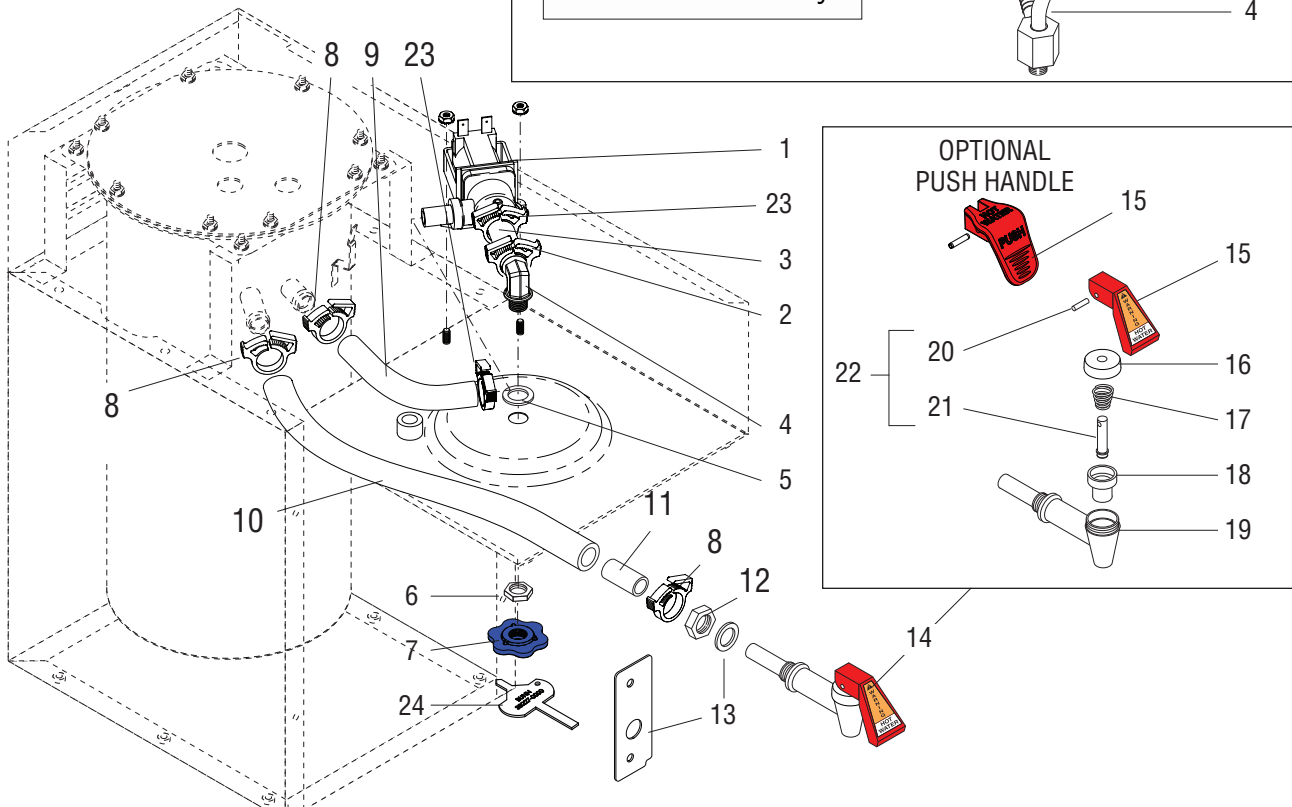
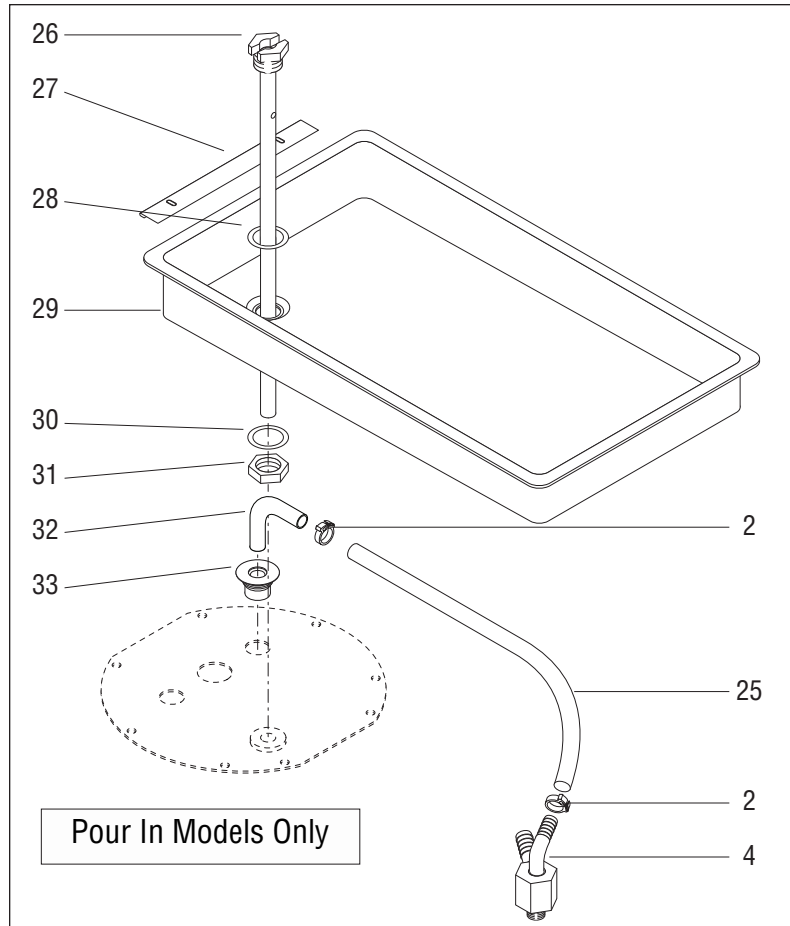
The Following Items Are Not Illustrated

18	34074.1019	-	1	Tank Kit, 1425W, 120V, (Includes 1-5, 8, 10, 12-15)
	34074.1020	-	1	Tank Kit, 3500W, 240V, (Includes 1-5, 8, 10, 12-15)
	34074.1021	-	1	Tank Kit, 1850W, 240V, (A & CE) (Includes 1-5, 8, 10, 12-15)
	34074.1022	-	1	Tank Kit, 3500W, 200V, (B) (Includes 1-5, 8, 10, 12-15)
	34074.1023	-	1	Tank Kit, 1425/2268W, (DV) (Includes 1-5, 8, 10, 12-15, 17 & 19)
	34074.1024	2	-	Tank Kit, 3000W, 120V/240V, (Includes 1-5, 8, 10, 12-14)
	34074.1026	-	1	Tank Kit, 1425/2268W, (DV), (Includes 1-5, 8, 10, 12-15, 17) (Pour in)
	34074.1027	-	1	Tank Kit, 3500W, 230V, CE (Includes 1-5, 8, 10, 12-14)
	34074.1028	-	1	Tank Kit, 3500W, 240V, (Includes 1-5, 8, 10, 12-14) (Pour in)
	34074.1029	-	1	Tank Kit, 1800W, 120V, (Includes 1-5, 8, 10, 12-14)
	34074.1031	-	1	Tank Kit, 1425W, 120V, (Includes 1-5, 8, 10, 12-15, 17) (Pour in)
	34074.1040	-	1	Tank Kit, 2268W, 120V, (Includes 1-5, 8, 10, 12-14) Axiom TS

DISPENSE VALVE, SPRAYHEAD AND FAUCET

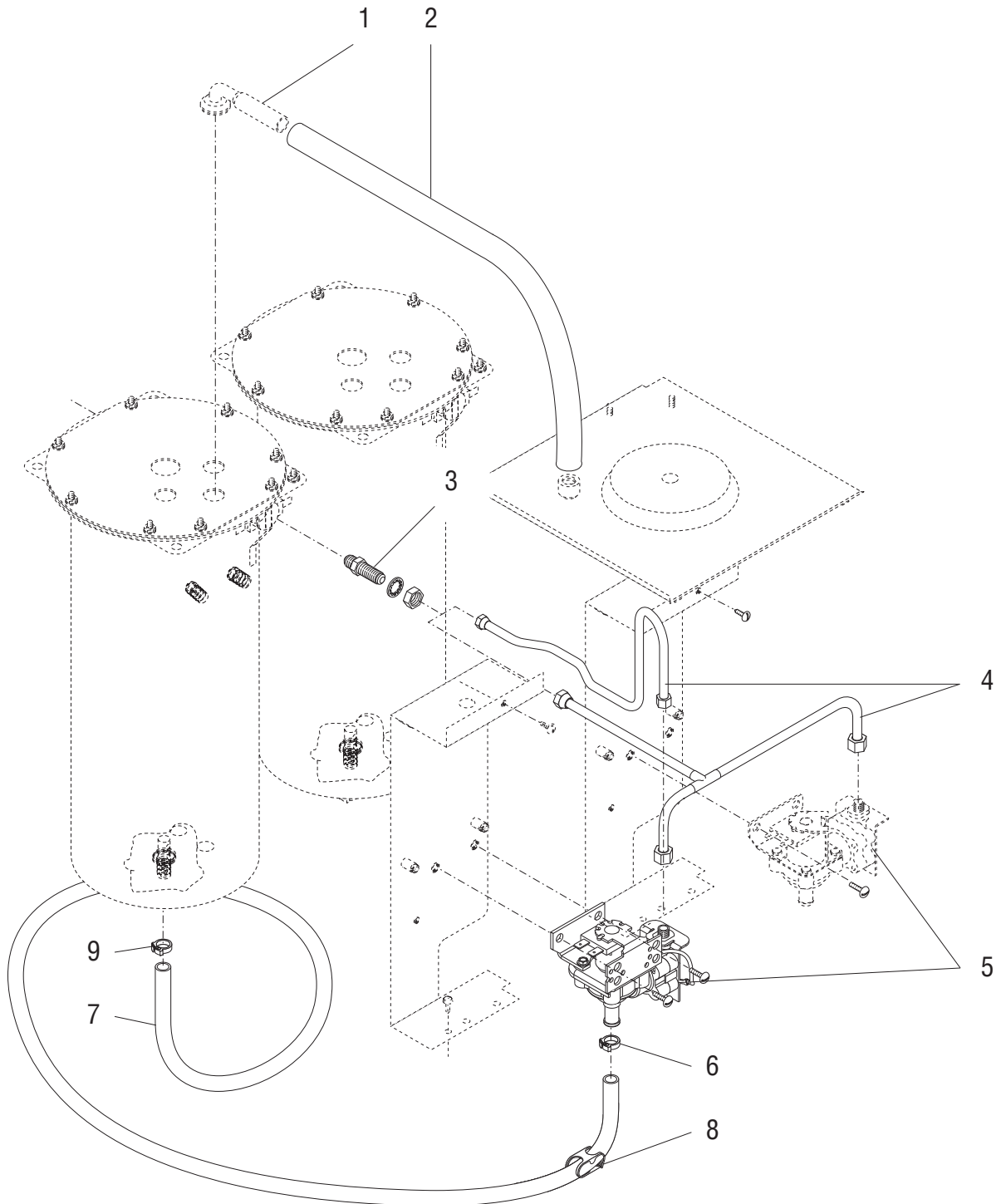
ITEM	PART NO.	QTY.		DESCRIPTION
		TWIN	SINGLE	
1	27370.0000	2	1	Valve, Dispense (120v)
	27370.0001	2	1	Valve, Dispense (200v)
	27370.0002	2	1	Valve, Dispense (240v)
	00970.0000	4	2	Nut, KEPS #8-32
	11517.0008	-	-	Repair Kit, Dispense Valve (Includes Plunger, Spring and Diaphragm)
2	12422.0001	2	1	Clamp, SNP - 10 (2 Additional used in Pour In Models)
3		2	1	Tube .375" ID x 1.625" (Order item 36)
4	39149.0003	2	1	Fitting
	28747.0001	-	1	Fitting (Pour In Models Only)
5	00943.0001	2	1	Gasket
6	01075.0000	2	1	Nut, Hex .438"-20
7	40670.0005	2	1	Sprayhead, 7 Hole
8	12422.0009	5	3	Clamp, SNP - 14
9		1	1	Tube, Tank To Dispense Valve, .5" ID x .75"OD x 4.6" (Order item 35)
10		1	1	Tube, .5" ID x .75" OD x 11.25" Long (Order item 34)
11		1	1	Tube, .375" ID x .5" OD x 1.2" Long (Order item 34)
12	29264.0000	1	1	Nut, Hex .5"-20 UNF
13	01544.0000	-	1	Washer, .5" ID x .75" OD (Singles Only)
	44714.0000	1	-	Plate, Faucet Reinforcement (Twins Only)
14	29075.0000	1	1	Faucet Assembly, Standard (Includes items 16 thru 22)
	29075.1004	1	1	Faucet Assembly, Push (Includes items 16 thru 22)
15	02861.0003	1	1	Handle, Standard
	02861.1006	1	1	Handle, Push
16	02854.0000	1	1	Bonnet
17	02595.0000	1	1	Spring
18	02766.0000	1	1	Cup
19		1	1	Faucet Body (Order item 15)
20	02858.0000	1	1	Pin, Spring
		1	1	Pin, Spring for "Push Handle" Only (Not Available, Order Handle # 15)
21	13054.0000	1	1	Stem
22	02594.0000	1	1	Faucet Stem w/Pin (Includes items 20 and 21)
23	12422.0005	4	2	Clamp, SNP - 12
24	38227.0000	1	1	Sprayhead Cleaning Tool
25		-	1	Tube, Syphon, .313" ID x 12.25" (Order item 37)
26	34097.0000	-	1	Tube, Water Inlet
27	11424.0000	-	1	Plate, Splash Guard

Continued on next page



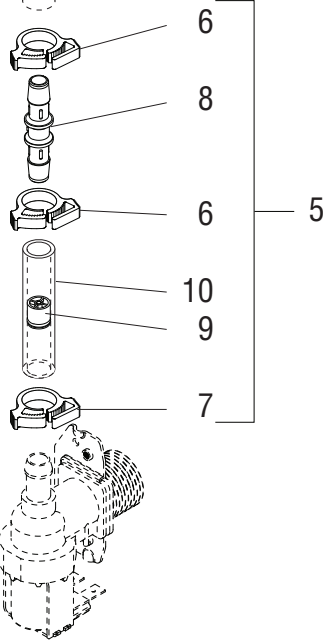
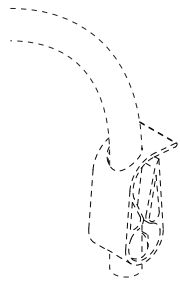
DISPENSE VALVE, SPRAYHEAD AND FAUCET

ITEM	PART NO.	QTY.	QTY.	DESCRIPTION
		TWIN	SINGLE	
28	01540.0000	-	1	Washer, SST .75" ID x 1.0" OD
29	04270.0000	-	1	Fill Basin
30	01537.0000	-	1	Washer, Nylon .75" ID x 1.0" OD
31	00957.0000	-	1	Nut, Hex .75"-16
32	03102.0000	-	1	Elbow, 90° .375" OD
33	20248.0000	-	1	Grommet, Syphon
The Following Items Are Not Illustrated				
34	41499.1000	1	1	Faucet Tube Kit, All Models (Includes 8, 10, 11)
35	41499.1001	2	1	Dispense Tube Kit, Tank to Solenoid, All Models (Includes 8, 9, 23)
36	41499.1002	2	1	Dispense Tube Kit, Solenoid to Sprayhead, All Models (Includes 2 & 3)
37	41499.1003	-	1	Syphon Tube Kit, Pour In Models Only (Includes 2 & 25)

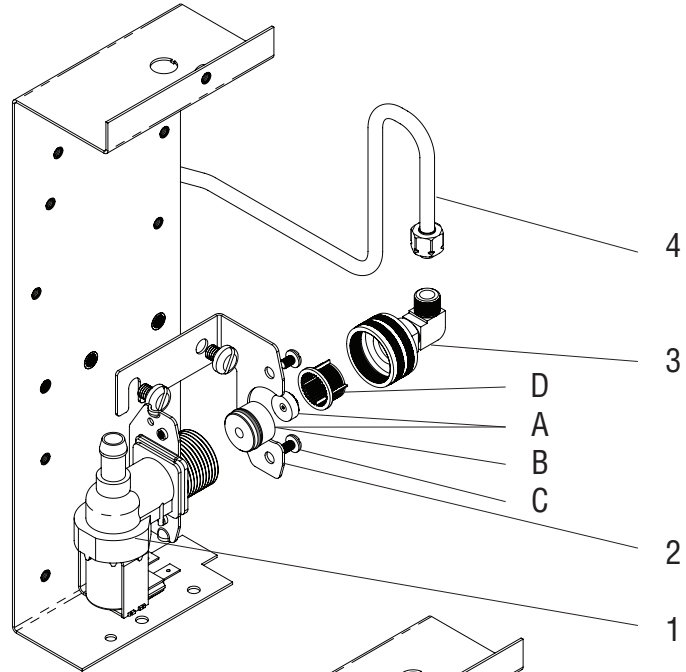


FILL SOLENOID VALVE AND DRAIN - EARLY MODELS

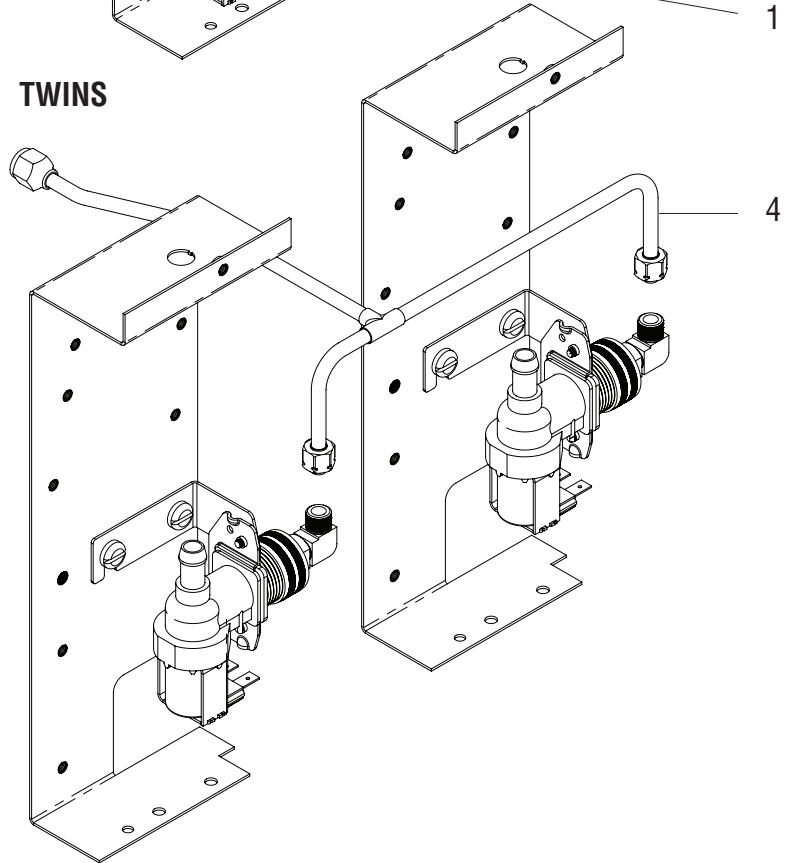
ITEM	PART NO.	QTY.		DESCRIPTION	
		TWIN	SINGLE		
1	38969.0003	2	1	Fitting, 90° Silicone	
2		2	-	Tube .5" x 8.25" (Order item 11) (TWIN)	
		-	1	Tube .5" x 7" (Order item 11) (Single)	
3	00459.0000	1	1	Fitting, Bulkhead 1/4" Flair	
	01532.0000	1	1	Lockwasher, Int. Tooth .438"	
	00463.0000	1	1	Nut, Hex .438"-20	
4	29065.0000	-	1	Tube, Bulkhead to Solenoid (Single)	
	29486.0000	1	-	Tube, Bulkhead to Solenoid (TWIN)	
5		2	1	Solenoid Assy (120v) (Not Available, Order # 12)	
	28750.0001	2	1	Solenoid Assy (230v) See # 12 Also.	
		2	1	Solenoid Assy (100v)	
		2	1	Solenoid Assy (200v)	
	02325.0001	4	2	Screw .25"-20 x .313"	
	39975.0000	-	-	Solenoid Repair Kit (Includes Guide, Spring, Armature & Diaphragm)	} Repair Kit
	39975.0001	-	-	Guide	
	39975.0002	-	-	Spring	
	39975.0003	-	-	Armature (Plunger)	
	39975.0004	-	-	Diaphragm	
6	12422.0001	2	1	Clamp, SNP - 10	
7		2	1	Tube, Tank To Valve, .375"ID x 24.0" (Order # 10)	
8	11630.0002	2	1	Clamp Shut Off, Tube	
9	12422.0006	2	1	Clamp, SNP - 8	
The Following Items Are Not Illustrated					
10	20976.1000	-	-	Tube, .375" ID x 1' (Use as required)	
	20976.1001	-	-	Tube, .375" ID x 3' (Use as required)	
	20976.1002	-	-	Tube, .375" ID x 10' (Use as required)	
	20976.1004	-	-	Tube, .375" ID x 250' (Use as required)	
11	32591.1001	-	-	Tube, .5" ID x 12" (Use as required)	
	32591.1002	-	-	Tube, .5" ID x 36" (Use as required)	
12	41579.1000	2	1	Kit, Solenoid Retrofit (Includes Items 1-3) 120V	} For retrofitting early models to new style (shown on next page)
	41579.1002	2	1	Kit, Solenoid Retrofit (Includes Items 1-3) 230V	
	41255.1006	2	1	Kit, Solenoid Retrofit (Includes Items 1-3) 100V	
	41255.1007	2	1	Kit, Solenoid Retrofit (Includes Items 1-3) 200V	



SINGLES



TWINS



FILL SOLENOID VALVE AND DRAIN - LATER MODELS

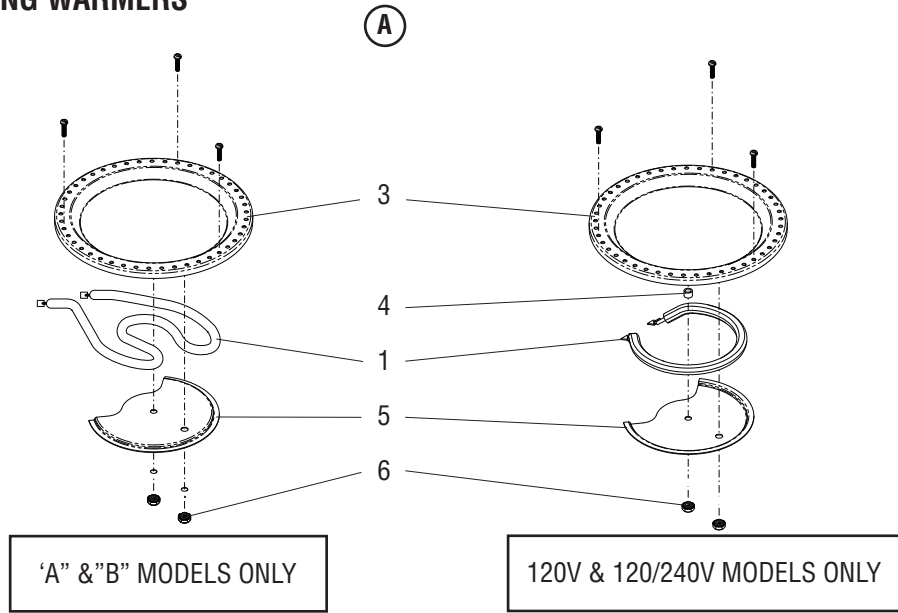
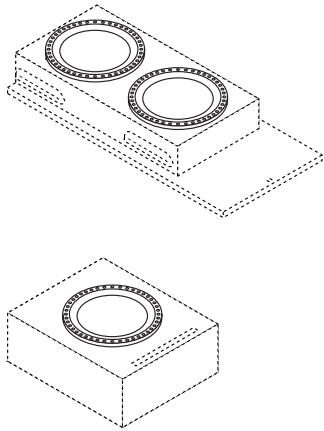
ITEM	PART NO.	QTY.		DESCRIPTION
		TWIN	SINGLE	
1	42025.0000	2	1	Kit, Universal Replacement Solenoid, 120V
	42025.0001	2	1	Kit, Universal Replacement Solenoid, 230V
	41255.0007	2	1	Valve, Solenoid, 200V
	A 20526.2500	4	2	Kit, .500GPM Flow Washer/O-Ring
	B 40056.0003	2	1	Insert, Flow Control Housing
C 32283.0000	4	2	Screw, SST Slotted Panhead M4 X 6mm	
D 46884.0000	2	1	Strainer	
2	41580.0000	2	1	Bracket (Production Only) Illustrated
	02325.0001	4	2	Screw .25"-20 x .313"
	41580.0001	2	1	Bracket (Retrofit Only) Not Illustrated
3	37297.0003	2	1	Elbow
4	41578.0000	-	1	Tube, Bulkhead to Solenoid (Single)
	41643.0000	1	-	Tube, Bulkhead to Solenoid (TWIN)
5	41716.1004	2	1	Kit, Check Valve/Tube Assembly (Includes Union, Tube, Check Valve, & Clamps)
6	12422.0001	4	2	Clamp, SNP - 10
7	12422.0005	2	1	Clamp, SNP - 12
8		2	1	Connector, Union .375" X .375" - Kynar (Order # 5)
9	36378.0001	2	1	Check Valve
10		2	1	Tube, Tank To Valve, .375"ID x 2.5" (Order # 5 or 12)

The Following Items Are Not Illustrated

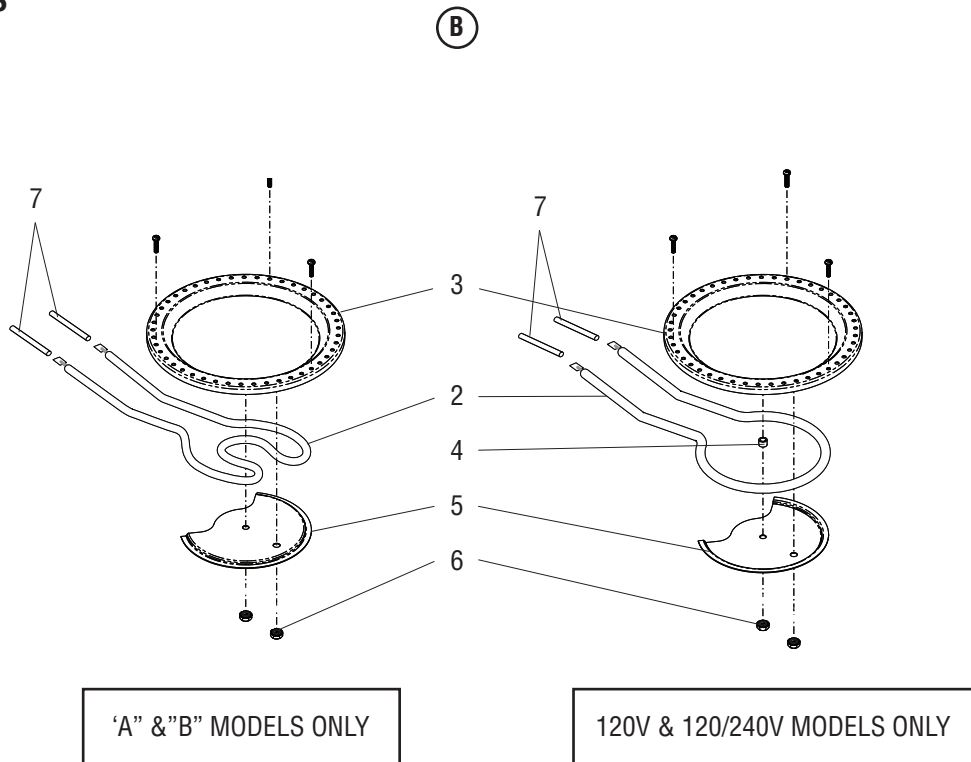
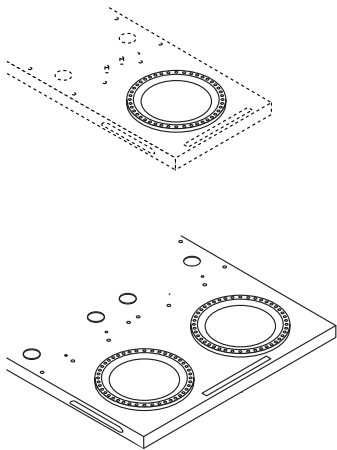
11	43644.0000	-	-	Kit, Valve Rebuild
12	20976.1000	-	-	Tube, .375" ID x 1' (Use as required)
	20976.1001	-	-	Tube, .375" ID x 3' (Use as required)
	20976.1002	-	-	Tube, .375" ID x 10' (Use as required)
	20976.1004	-	-	Tube, .375" ID x 250' (Use as required)



UPPER & SIDE HOUSING WARMERS



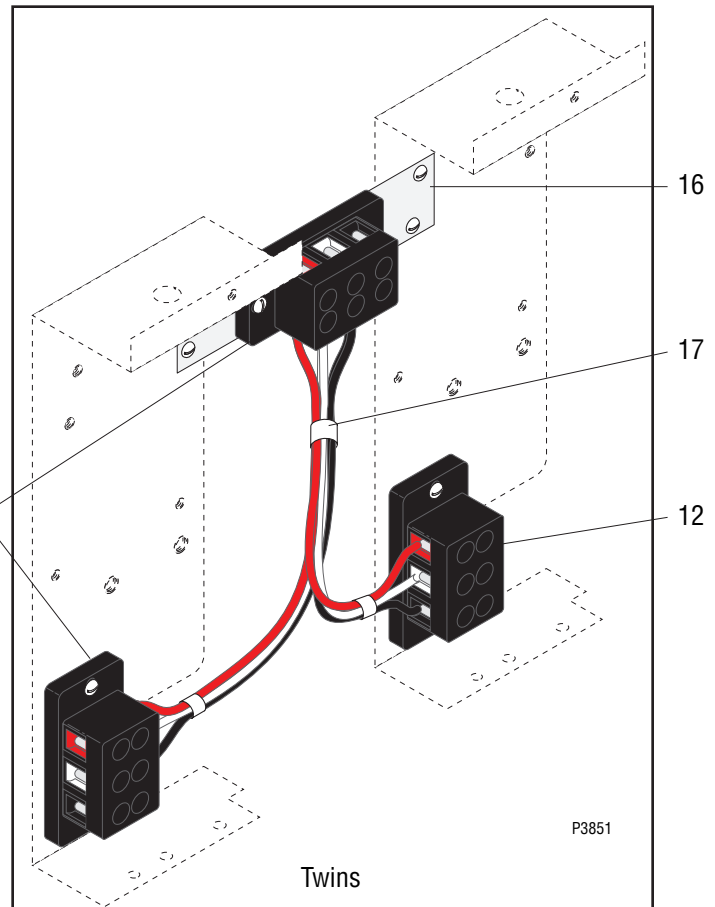
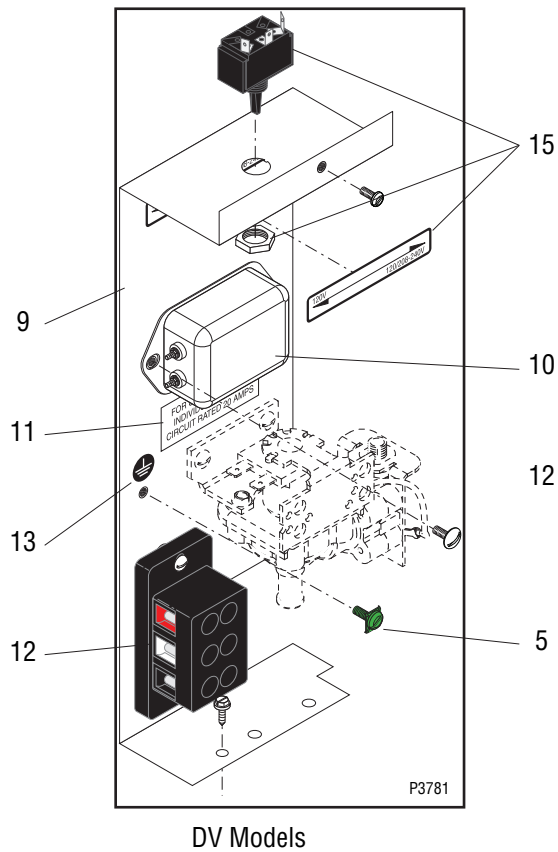
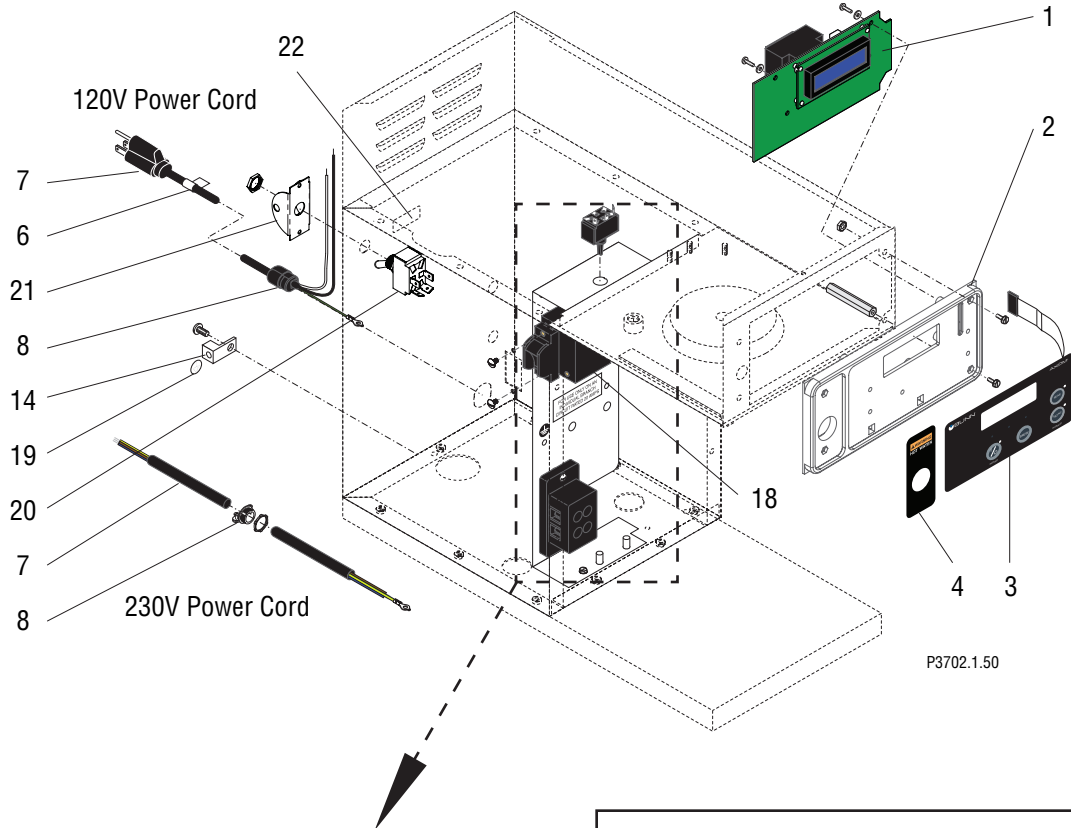
BASE WARMERS



WARMER ASSEMBLIES

ITEM	PART NO.	DESCRIPTION
A	03652.0000	1 Warmer Assembly 120V, Top & Side Warmers (Includes items 1, & 3 - 6)
	11440.0009	1 Warmer Assembly 220V, Top & Side Warmers (Includes items 1, 3, 5, & 6)
	11440.0011	1 Warmer Assembly 200V, Top & Side Warmers (Includes items 1, 3, 5, & 6)
	01303.0000	3 Screw, Pan Head - SST #4-40 x .5"
	01303.0002	3 Screw, Pan Head - BLK #4-40 x .5"
	00916.0000	3 Fastener, J-Type #4-40
	1 01227.0000	1 Warmer Element 120V Top & Side Warmers
	01951.0000	1 Warmer Element 220V Top & Side Warmers ("A" Models)
	01951.0001	1 Warmer Element 200V Top & Side Warmers ("B" Models)
	B	11440.0005
11440.0008		1 Warmer Assembly 220V, Base Warmers (Includes items 2, 3, 5, & 6)
11440.0010		1 Warmer Assembly 200V, Base Warmers (Includes items 2, 3, 5, & 6)
01303.0000		3 Screw, Pan Head - SST #4-40 x .5"
01303.0002		3 Screw, Pan Head - BLK #4-40 x .5"
00916.0000		3 Fastener, J-Type #4-40
2 11442.0000		1 Warmer Element 120V Base Warmers & Single CD
11438.0000		1 Warmer Element 220V Base Warmers ("A" Models)
11438.0001		1 Warmer Element 200V Base Warmers ("B" Models)
3 03656.0000		1 Warmer Dish, Blk 45 Hole
4 13042.0001	1 Spacer, (120V Models Only)	
5 05212.0000	1 Plate, Element Retaining	
6 00970.0000	2 Nut, Keps #8-32	
7	2 Tube, Silicone .25" Dia x 1.875" LG. (Order Item 8)	
The Following Items Are Not Illustrated		
8	04828.1001	- Tube, Silicone .25" Dia. x 24" LG (Use as required)
9	24785.0002	1 Galley Kit, "C" Series, 3 Warmers

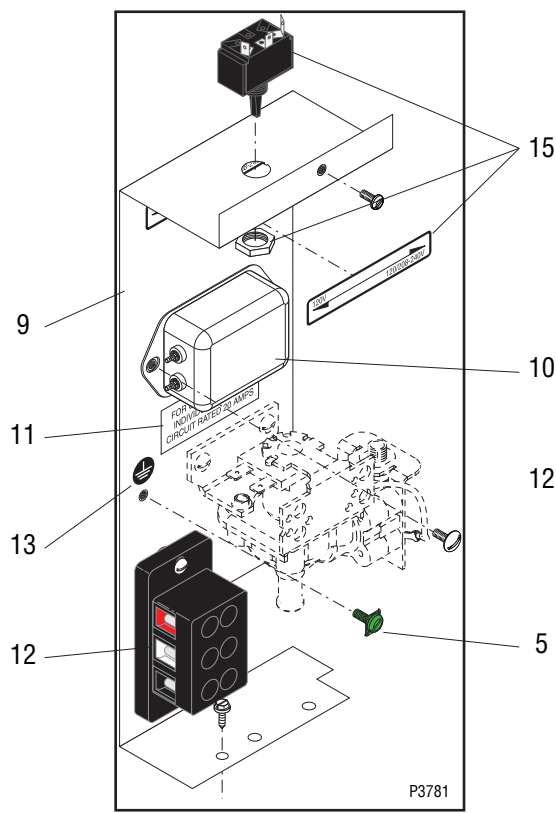
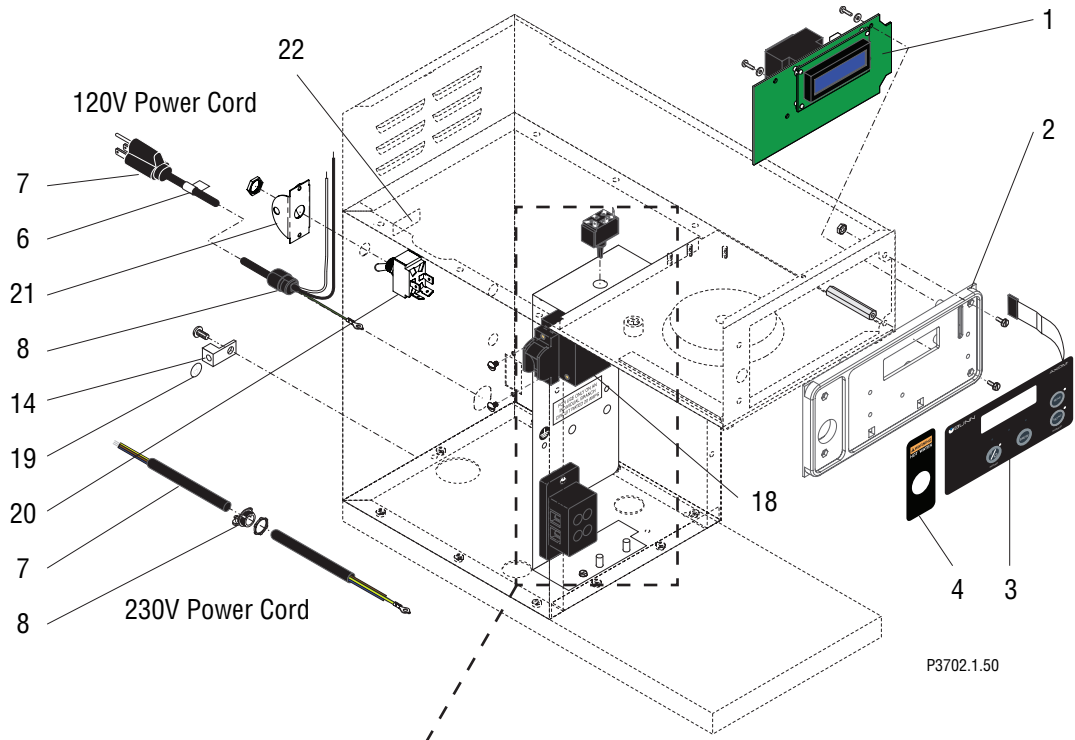
NOTE: All warmers listed above are rated @ 100 watts



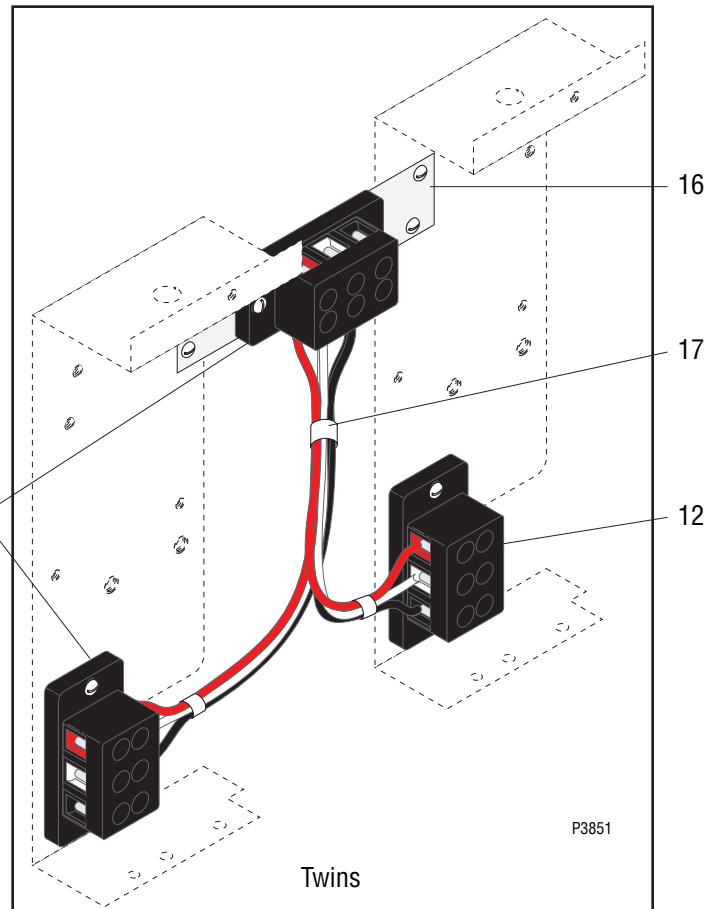
ELECTRICAL AND OPERATING CONTROLS

ITEM	PART NO.	QTY.		DESCRIPTION
		TWIN	SINGLE	
1	42533.1001	2	1	PC Board, Control Green Display (120V) "SINGLE AXIOM"; APS/TC (RoHS)
	42533.1201	-	1	PC Board, Control Blue Display (120V) (RoHS)
	42533.1002	-	1	PC Board, Control Green Display (240V) "SINGLE AXIOM"; APS/TC (RoHS)
	50983.1000	-	1	PC Board, Control (230V CE Only) "SINGLE AXIOM"; APS/TC (RoHS), Green Disp.
	50983.1203	-	1	PC Board, Control (230V CE Only) "SINGLE AXIOM"; APS/TC (RoHS), Blue Display
	38760.1004	-	1	PC Board, Control (120V) APS 220V (RoHS) (CCC)
	38760.1010	-	1	PC Board, Control (240V) Full/Half Batch Switches-Left Side (RoHS)
	38760.1011	-	1	PC Board, Control (120V) Full/Half Batch Switches-Right Side (TC) (RoHS)
	38760.1014	-	1	PC Board, Control (120V) Full/Half Batch Switches-Left Side (RoHS)
	38044.0000	4	2	Screw, PNH Plastite #6 x .375"
01518.0000	2	2	Washer, Nylon #6	
2	38842.0002	2	1	Face Plate
	29082.0000	8	4	Screw, Hex-head #6-32 x .5"
	00973.0000	6	3	Nut, Keps #6-32
	29263.0000	2	1	Nut, Standoff #6-32 x 2.0"
3	38876.0001	1	1	Switch, Membrane - 3 Warmers (Right)
	38876.0002	2	1	Switch, Membrane - APS/TC
	38876.0004	-	1	Switch, Membrane - "SINGLE AXIOM" Full/Half Batch Switches-Right Side
	38876.0005	1	1	Switch, Membrane - 3 Warmers (Left)
	38876.0007	-	1	Switch, Membrane - 1L/2U (Right) Full/Half Batch Switches-Left Side
	38876.0008	-	1	Switch, Membrane - "TC" Full/Half Batch Switches-Right Side
	38876.0011	-	1	Switch, Membrane - 1L/1U
4	29007.0000	1	1	Decal, HOT WATER (Brewers with Faucet)
	29265.0000	1	1	Decal, Faucet Hole Cover (Brewers without Faucet)
5	01309.0000	1	1	Screw, Grounding #10-32 x .5" (2 used in 0/6 Twin)
6	06064.0000	-	1	Label, Cord Warning
7	01719.1000	-	1	Power Cord, 120V (Model 15 Only)
	23799.0001	-	1	Power Cord, 120V (Model 20 Only)
	38074.1026	-	1	Power Cord Assy (Includes item 6) (CE)
	28111.0006	-	1	Power Cord Assy (UK)
	42749.0028	-	1	Power Cord Assy (Euro)
8	01685.0000	-	1	Bushing, Strain Relief (Steel w/screw Clamps) (DV Models)
	01686.0000	-	1	Bushing, Strain Relief (Plastic Snap In) (120V 15A Models only)
	05746.1000	-	1	Bushing, Strain Relief (Plastic Hex) (200V-240V, 230V CE)
	01590.0000	1	-	Bushing, Strain Relief (Twins Only)
9	28740.0003	2	1	Bracket, Component Mtg. DV, B & CE 11.75"
	28740.0004	-	1	Bracket, Component Mounting 15.12" ("SINGLE Axiom" Only)
	28740.0005	2	1	Bracket, Component Mtg. 11.12" (B Models Only)
	28740.0008	1	1	Bracket, Component Mounting 15.12" ("Twin APS-A,B&CE; APS-CE;TS" Only)
	02308.0000	2	1	Screw #8-32 x .375"
	02332.0001	2	1	Screw, Hex Crimptite #6-32 x .25"
10	29446.0002	-	1	EMI Filter 30 Amps, 100V
	29446.0004	-	1	EMI Filter 10 Amps 200V & 230V(CE)
	01315.0000	-	2	Screw, Truss Head #8-32 x .375"
11	00985.0000	-	1	Decal, Individual Circuit Info
12	01106.0000	-	1	Terminal Block, 2-pole 120v (Black-White)
	01106.0001	-	1	Terminal Block, 2-pole 240v (Black-Red)
	01106.0003	-	1	Terminal Block, 2-pole 230v (Brown-Blue) (CE)
	07038.0000	3	1	Terminal Block, 3-pole 120/240v (Black-White-Red)

Continued on next page



DV Models

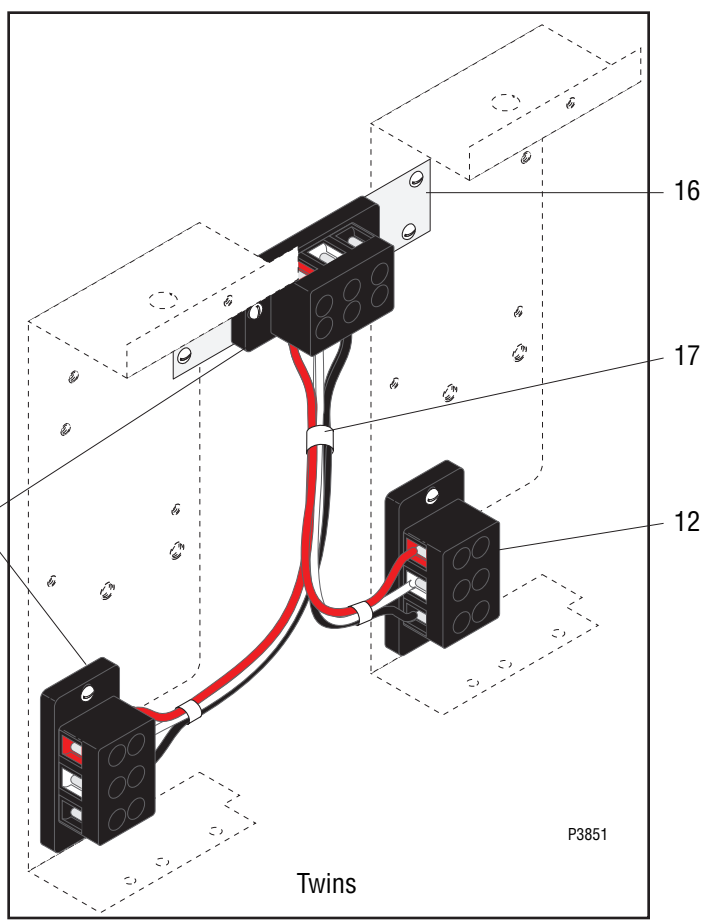
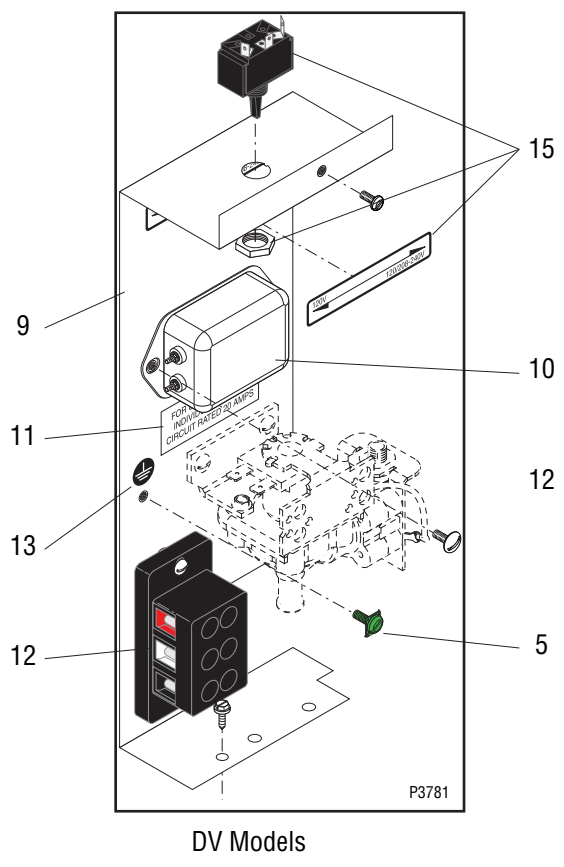
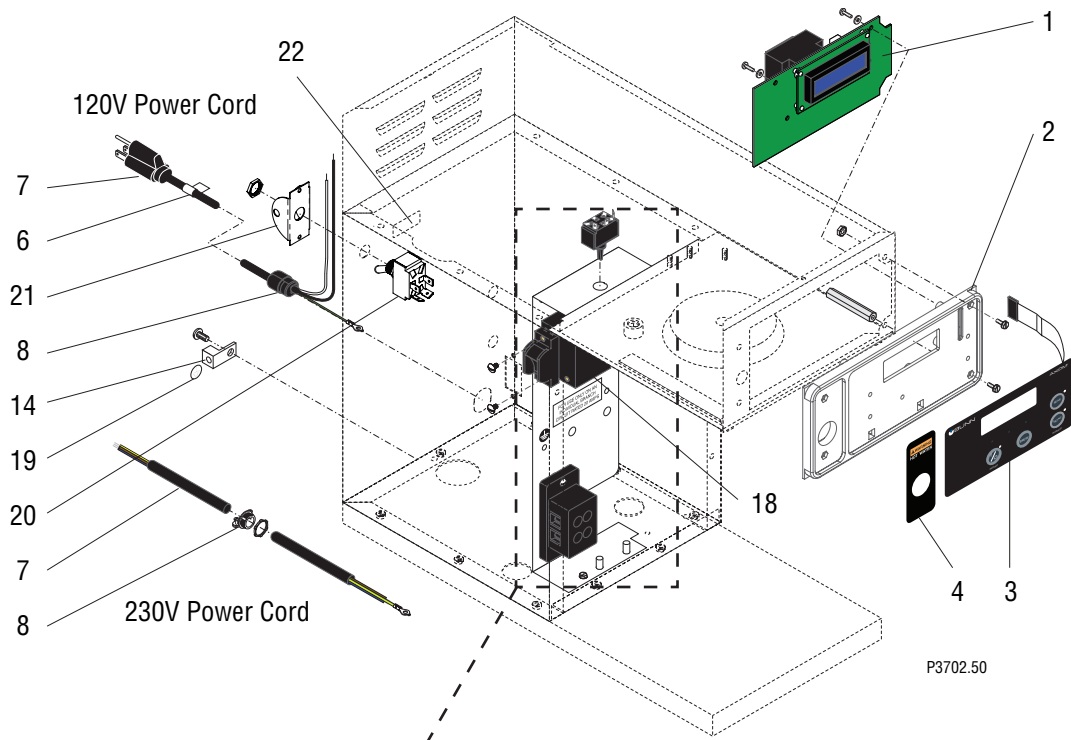


Twins

ELECTRICAL AND OPERATING CONTROLS

ITEM	PART NO.	QTY. TWIN	QTY. SINGLE	DESCRIPTION
	01317.0000	6	2	Screw #8-32 x .5"
13	00824.0002	1	1	Decal, Ground
14	27705.0000	-	1	Terminal Lug (CE)
	01327.0000	-	1	Screw, PNH 10-32 x .375"
15	23522.1001	-	1	Toggle Switch (Includes Nut)
	23696.0000	-	1	Nut, Hex
	34056.0000	-	1	Decal, (120V-120/240V)
16	23376.0000	1	-	Bracket, Term. Block Mounting
	02308.0000	3	-	Screw, Pan Head #8-32 x .38"
17	29484.0000	1	-	Wiring Harness, Terminal Block (Twins w/o On/Off Switch)
	29484.0001	1	-	Wiring Harness, Term. Block - Term. Block
	38920.0000	-	1	Wiring Harness, Term. Block to Switch (Singles)
	38920.0010	1	-	Wiring Harness, Term. Block to Switch (Twins)
18	38894.0001	-	1	Switch, On/Off
	01308.0002	3	-	Screw, Truss Head #6-32 x .25"
19	00824.0001	1	1	Decal, Equipotentiality
20	40763.0002	-	1	Toggle Switch (Includes Nut)
	23696.0000	-	1	Nut, Hex
21	25102.0000	-	1	Bracket, Switch Indicator/Guard
22	41405.0000	-	1	Decal, Main On/Off
The Following Items Are Not Illustrated				
23	24204.0000	1	1	Wiring Harness, (P1,2,3) to Left Side Warmers
	24204.0001	1	1	Wiring Harness, (P1,2,3) to Right Side Warmers
24	34707.0004	-	1	Wiring Harness, EMI Filter to Term Block (CE)
	45314.0001	-	1	Wiring Harness, EMI Filter to Term Block (100V APS&TS)
25	39048.0000	2	1	Wiring Harness, Level Probes to Board
26	21016.0011	-	1	Lead, Grn/Yel, 15" LG (CE)
	21016.0012	-	1	Lead, Grn/Yel, 10" LG (CE)
	21016.0027	-	2	Lead, Grn/Yel, 26" LG (CE)
27	29072.0000	-	1	Wiring Harness, Main 120V (Single Axiom-15 Only)
	29072.0016	-	1	Wiring Harness, Main 120V 1 lower/2 upper warmers
	29072.0017	-	1	Wiring Harness, Main 120V 3 lower warmers right
	29072.0035	-	1	Wiring Harness, Main 120V 3 lower warmers left
	29072.0023	-	1	Wiring Harness, Main 100V, 200V & 230V-CE 1 lwr/2 upr (w/EMI Filter)
	29072.0022	-	1	Wiring Harness, Main 200V & 230V 3 lower warmers
	29072.0004	2	-	Wiring Harness, Main Twin APS (w/3 Term. Blocks)
	34055.0000	-	1	Wiring Harness, Main DV 3 warmer models
	34055.0001	-	1	Wiring Harness, Main DV APS/TC

Continued on next page



ELECTRICAL AND OPERATING CONTROLS

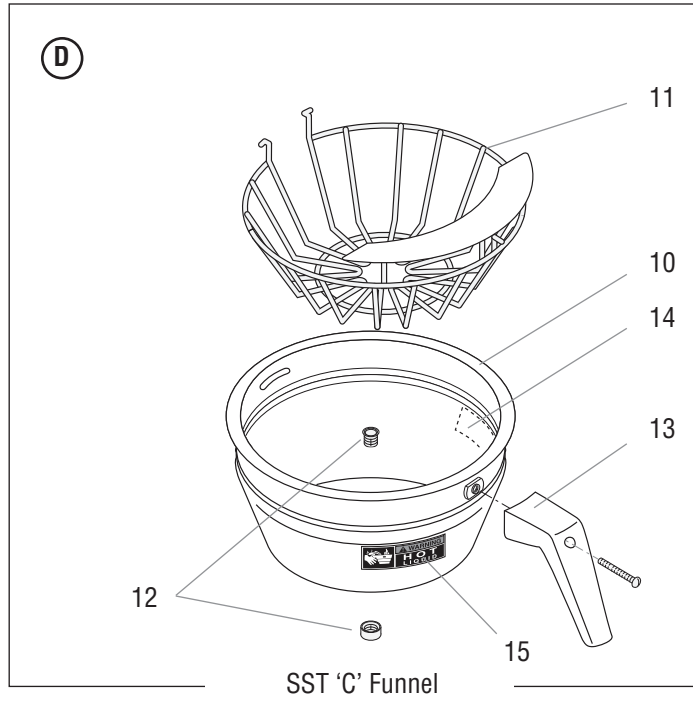
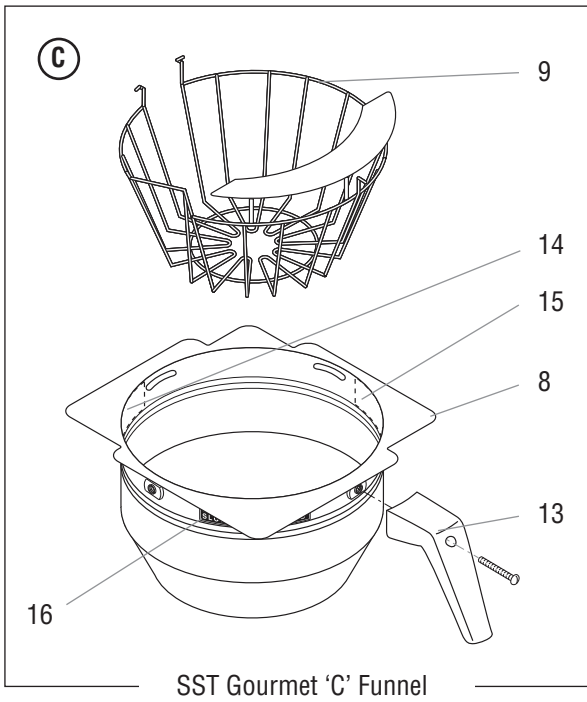
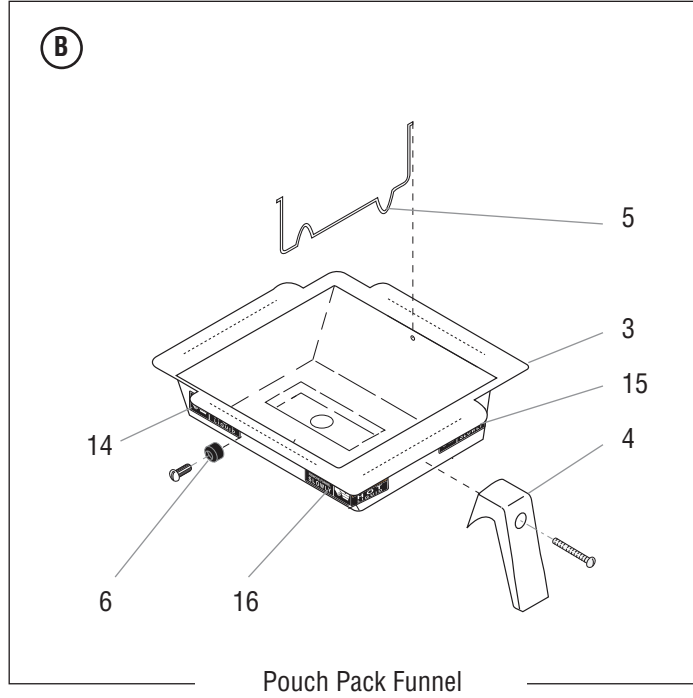
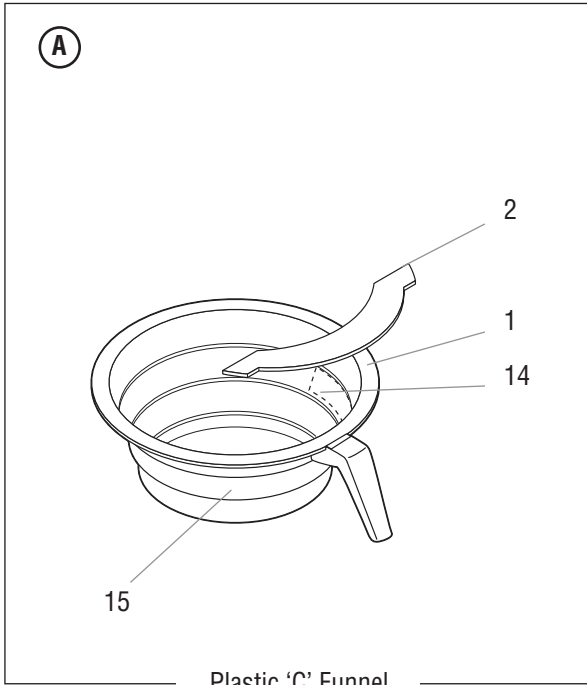
ITEM	PART NO.	QTY.	QTY.	DESCRIPTION
		TWIN	SINGLE	
	29072.0040	-	1	Wiring Harness, Main 230V CE APS
The Following Harnesses are for Later Models With On/Off Rocker Switch				
28	40666.0000	1	-	Wiring Harness, Main 120/240V 0/6 TWIN models
	40666.0008	1	-	Wiring Harness, Main 120/240V 4/2 TWIN models
	40666.0005	1	-	Wiring Harness, Main Twin APS 120/240V (w/1 Term Block)
	29072.0025	-	1	Wiring Harness, Main 120/240V 1 lower/2 upper warmers
	29072.0026	-	1	Wiring Harness, Main 120/240V 3 lower warmers
	34055.0006	-	1	Wiring Harness, Main DV 120/240V 3 lower warmers
	34055.0007	-	1	Wiring Harness, Main DV 120/240V 1 lower/2 upper warmers

The Following Harnesses are for Later Models With On/Off Toggle Switch

29	29072.0036	-	1	Wiring Harness, Main 100V APS
	29072.0038	-	1	Wiring Harness, Main 100V TS
	41390.0000	-	1	Wiring Harness, Main Axiom35, 3 Lower Right
	41390.0001	-	1	Wiring Harness, Main Axiom35, 1 Lower/ 2 Upper
	41390.0003	-	1	Wiring Harness, Main Axiom-DV, 1 Lower/ 2 Upper
	41390.0004	-	1	Wiring Harness, Main Axiom-DV, 3 Lower Left
	41390.0007	-	1	Wiring Harness, Main Axiom-DV, APS/TC
	41390.0008	-	1	Wiring Harness, Main (Single Axiom-35 Only)
	41390.0030	-	1	Wiring Harness, Main Axiom-DV, 3 Lower Right

Harnesses, Upper Warmers to 3 pin connector

30	02812.0001	-	1	WIRING HARN, Standard 2 Wmr, 2 Switches 120V
31	25348.0004	-	1	WIRING HARN, 1 Wmr, (Front) 120V
32	23950.0002	1	-	WIRING HARN, 2 Wmr, (Front) 120V (2/2 Twin Only)



FUNNELS

ITEM	PART NO.	QTY. TWIN	QTY. SINGLE	DESCRIPTION	
A	20583.0002	-	1	Funnel Assy, Smoke Plastic (Includes items 2, 14, & 15)	
	20583.0003	-	1	Funnel Assy, Black Plastic (Includes items 2, 14, & 15)	
	20583.0006	-	1	Funnel Assy, Orange Plastic (Includes items 2, 14, & 15)	
	1	-	1	Funnel Body, Black Plastic (Order item A)	
	1	-	1	Funnel Body, Orange Plastic (Order item A)	
2	32964.0000	-	1	Splashgard, Black Plastic	
B	29151.0000	2	1	Funnel Assy, Pouch Pack Blk Handle (Includes items 3-6 & 14-16)	
	29151.0001	2	1	Funnel Assy, Pouch Pack Orn Handle (Includes items 3-6 & 14-16)	
	04274.0010	2	1	Funnel Assy, Pouch Pack Brown Plastic (Includes item 16)	
	04274.0012	2	1	Funnel Assy, Pouch Pack Black Plastic (Includes item 16)	
	3	2	1	Funnel Body, Pouch Pack 'C Series' SST (Order item B)	
	4	29152.1000	2	1	Handle Kit, Pouch Pack, Black (Includes mounting screw below)
		29152.1001	2	1	Handle Kit, Pouch Pack, Orange (Includes mounting screw below)
		01331.0002	2	1	Screw, Round Head 10-32 x 1.5"
	5	29845.0000	2	1	Insert, Pouch Pack Funnel
	6	35302.0000	2	1	Keeper, Insert
		01331.0000	2	1	Screw, Round Head 10-32 x .5"
	C	34559.0000	-	1	Funnel Assy, Gourmet SST (Includes items 8, 9, & 13-16)
8		2	1	Funnel Body, Gourmet SST (Order item C)	
9		34546.0000	2	1	Filter Basket, Gourmet 'C'
D	20216.0000	-	1	Funnel Assy, 7.12" SST Blk Handle (Includes items 10, 11 & 13-16)	
	20216.0001	-	1	Funnel Assy, 7.12" SST Orn Handle (Includes items 10, 11 & 13-16)	
	20217.0000	2	-	Funnel Assy, 7.62" SST Blk Handle (Includes items 10, 11 & 13-16)	
	20217.0001	2	-	Funnel Assy, 7.62" SST Orn Handle (Includes items 10, 11 & 13-16)	
	10	28553.0000	-	1	Funnel Body, W/Decals, 7.12" SST (Includes items 14 & 15)
		28554.0000	2	1	Funnel Body, W/Decals, 7.62" SST (Includes items 14 & 15)
	11	33088.0000	-	1	Filter Basket, 7.12" SST
		33090.0000	2	1	Filter Basket, 7.62" SST
	12	01031.0000	2	1	Funnel Tip Kit
	13	20244.1000	2	1	Handle Kit, Black (Includes mounting screw below)
		20244.1001	2	1	Handle Kit, Orange (Includes mounting screw below)
		01331.0002	2	1	Screw, Round Head 10-32 x 1.5"
14	03408.0002	2	1	Decal, Warning - Remove Funnel	
15	03409.0002	2	1	Decal, Warning - Hot Liquid	
16	28694.0000	2	1	Decal, Warning - Hot Liquid/Remove Funnel	

NOTE: D does not include Tip Kit

NUMERICAL INDEX

PART NO.	PAGE NO.	PART NO.	PAGE NO.	PART NO.	PAGE NO.	PART NO.	PAGE NO.
00459.0000	23	01928.0000	17	11442.0000	27	23522.1001	31
00463.0000	23	01951.0000	27	11444.0000	7	23696.0000	31
00511.0000	15	01951.0001	27	11517.0008	19	23698.1001	13
00511.1000	15	02308.0000	5,7,9,13	11556.0010	19	23698.1002	13
00656.0001	9	02308.0000	15,29,31	11630.0002	23	23698.1003	13
00658.0000	9	02325.0001	23,25	12364.0000	5,7,13	23799.0001	29
00669.0003	9	02332.0001	29	12422.0001	19,23,25	23950.0002	33
00754.0001	13	02332.0002	13,15	12422.0005	17,19,25	24204.0000	31
00824.0001	31	02594.0000	19	12422.0006	23	24204.0001	31
00824.0002	31	02595.0000	19	12422.0009	19	24230.0000	15
00908.0000	17	02755.1000	17	12667.0001	13	24253.0000	15
00916.0000	27	02765.0000	7	13042.0001	27	24253.0001	13
00942.0000	17	02765.0002	7	13054.0000	19	24253.0002	13
00943.0000	17	02766.0000	19	13255.0005	15	24253.0003	15
00943.0001	19	02805.1000	17	20216.0000	35	24254.0001	5
00957.0000	21	02812.0001	33	20216.0001	35	24254.0002	5
00970.0000	9,19,27	02854.0000	19	20217.0000	35	24600.0000	13
00971.0000	5,7	02856.0005	19	20217.0001	35	24785.0002	27
00973.0000	29	02858.0000	19	20244.1000	35	24805.0000	13
00985.0000	29	02861.0003	19	20244.1001	35	24805.0002	13
00986.0000	9	02861.1006	19	20248.0000	21	25102.0000	31
00988.0000	9	03102.0000	21	20526.2500	25	25137.0000	13
01031.0000	35	03359.0001	15	20583.0002	35	25137.0001	13
01075.0000	19	03408.0002	35	20583.0003	35	25151.0000	7
01106.0000	29	03409.0002	35	20583.0006	35	25151.0007	5,7
01106.0001	29	03652.0000	7,27	20942.1000	17	25312.1004	7
01106.0003	29	03656.0000	27	20976.0008	19	25312.1007	7
01227.0000	27	03993.0000	15	20976.0069	23	25348.0004	33
01303.0000	5,7,27	03996.0000	15	20976.0082	25	25351.0000	13
01303.0002	7,27	04221.0000	17	20976.1001	23,25	25351.0001	13
01308.0002	31	04260.0000	17	20976.1000	23,25	25351.0002	13
01309.0000	29	04270.0000	21	20976.1002	23,25	25352.0005	9
01315.0000	9,29	04274.0010	35	20976.1004	23,25	25657.0000	13
01317.0000	29	04274.0012	35	21016.0011	31	25657.0001	13
01326.0007	5,7	04828.0001	27	21016.0012	31	25657.0002	13
01327.0000	31	04828.1001	27	21016.0027	31	25658.0000	13
01331.0000	35	05037.1000	17	21104.0003	15	25658.0002	13
01331.0002	35	05212.0000	27	22306.0000	13	25864.1001	5
01347.0000	5,15	05746.1000	29	22730.1002	9	26283.1000	9
01382.0000	9	06064.0000	29	22730.1006	9	26287.0000	9
01382.0002	9	07038.0000	29	22733.0000	9	26413.0000	13
01511.0000	17	07412.1002	17	22999.0000	13	26413.0001	13
01518.0000	29	07412.1003	17	23260.1004	5	26528.0001	15
01532.0000	23	11408.1002	9	23260.1005	5	26953.0000	15
01537.0000	21	11408.1005	9	23267.1000	9	27370.0000	19
01540.0000	21	11408.1006	9	23294.1009	9	27370.0001	19
01544.0000	19	11424.0000	19	23294.1014	9	27370.0002	19
01590.0000	29	11438.0000	27	23321.0000	13	27705.0000	31
01592.0000	5,7,11,13	11438.0001	27	23321.0001	13	27929.0000	9
01593.0000	13	11440.0005	27	23321.0002	13	28111.0006	29
01685.0000	29	11440.0008	27	23321.0003	13	28526.0018	19
01686.0000	29	11440.0009	27	23321.0004	13	28553.0000	35
01719.1000	29	11440.0010	27	23329.0000	15	28554.0000	35
01927.0000	17	11440.0011	27	23376.0000	31	28694.0000	35

NUMERICAL INDEX

PART NO.	PAGE NO.	PART NO.	PAGE NO.	PART NO.	PAGE NO.	PART NO.	PAGE NO.
28735.0002.....	17	29485.1001.....	17	34208.1008.....	9	41193.0001.....	19
28735.0005.....	17	29486.0000.....	23	34546.0000.....	35	41255.0007.....	25
28740.0003.....	29	29581.0000.....	9	34558.0000.....	35	41255.1006.....	23
28740.0004.....	29	29669.1000.....	17	34559.0000.....	35	41255.1007.....	25
28740.0005.....	29	29710.0007.....	11	34707.0004.....	31	41390.0000.....	33
28740.0008.....	29	29710.0008.....	11	35302.0000.....	35	41390.0001.....	33
28747.0001.....	19	29822.0000.....	13	35712.0000.....	13	41390.0003.....	33
28750.0000.....	23	29845.0000.....	35	36378.0001.....	25	41390.0004.....	33
28750.0001.....	23	32143.0000.....	7	36757.1004.....	7	41390.0007.....	33
28750.0002.....	23	32159.1002.....	9	36757.1005.....	7	41390.0008.....	33
28750.0003.....	23	32283.0000.....	25	36757.1006.....	7	41390.0030.....	33
29007.0000.....	29	32325.0000.....	9	37182.0001.....	7	41402.1108.....	9
29065.0000.....	23	32591.0012.....	23	37297.0003.....	25	41405.0000.....	31
29072.0000.....	31	32591.0013.....	23	37881.0000.....	5,7,9	41499.1000.....	21
29072.0004.....	31	32591.0034.....	19	37881.0002.....	7	41499.1001.....	21
29072.0016.....	31	32591.0045.....	19	37930.0001.....	9	41499.1002.....	21
29072.0017.....	31	32591.1001.....	23	38044.0000.....	29	41499.1003.....	21
29072.0022.....	31	32591.1002.....	23	38074.1026.....	29	41578.0000.....	25
29072.0023.....	31	32964.0000.....	35	38114.0000.....	17	41579.1000.....	23
29072.0025.....	31	33088.0000.....	35	38227.0000.....	19	41579.1002.....	23
29072.0026.....	31	33090.0000.....	35	38496.1002.....	7	41580.0000.....	25
29072.0035.....	31	33119.0000.....	35	38496.1006.....	7	41580.0001.....	25
29072.0036.....	33	33127.0000.....	35	38498.1000.....	7	41643.0000.....	25
29072.0038.....	33	33937.0003.....	17	38503.1000.....	7	41716.1004.....	25
29072.0040.....	31	33937.0004.....	17	38760.1004.....	29	41760.1000.....	5,7
29075.0000.....	19	34055.0000.....	31	38760.1010.....	29	41840.0000.....	7
29075.1004.....	19	34055.0001.....	31	38760.1011.....	29	41841.1000.....	7
29077.0006.....	11	34055.0006.....	31	38760.1014.....	29	42025.0000.....	25
29077.0007.....	11	34055.0007.....	31	38842.0002.....	29	42025.0001.....	25
29077.0008.....	11	34056.0000.....	31	38876.0001.....	29	42533.1001.....	29
29077.0014.....	11	34061.0018.....	9	38876.0002.....	29	42533.1002.....	29
29077.0015.....	11	34061.1000.....	9	38876.0004.....	29	42533.1201.....	29
29077.0016.....	11	34061.1001.....	9	38876.0005.....	29	42749.0028.....	29
29077.0017.....	11	34061.1010.....	9	38876.0007.....	29	43644.0000.....	25
29077.0019.....	11	34061.1020.....	9	38876.0008.....	29	44714.0000.....	19
29077.0020.....	11	34061.1021.....	9	38876.0011.....	29	45313.0000.....	25
29077.0022.....	11	34063.0010.....	7	38894.0001.....	31	45314.0001.....	31
29077.0032.....	11	34065.1001.....	13	38920.0000.....	31	46884.0000.....	25
29082.0000.....	29	34069.1000.....	7	38920.0010.....	31	50698.0000.....	17
29150.0000.....	35	34070.1001.....	7	38969.0003.....	17,23	50983.1000.....	29
29151.0000.....	35	34074.1019.....	17	39048.0000.....	31	50983.1203.....	29
29151.0001.....	35	34074.1020.....	17	39085.1001.....	17		
29152.1000.....	35	34074.1021.....	17	39149.0003.....	19		
29152.1001.....	35	34074.1022.....	17	39975.0000.....	23		
29263.0000.....	29	34074.1023.....	17	39975.0001.....	23		
29264.0000.....	19	34074.1024.....	17	39975.0002.....	23		
29265.0000.....	29	34074.1026.....	17	39975.0003.....	23		
29279.0000.....	17	34074.1027.....	17	39975.0004.....	23		
29314.1007.....	5	34074.1028.....	17	40056.0003.....	25		
29329.1000.....	17	34074.1029.....	17	40666.0000.....	33		
29446.0002.....	29	34074.1031.....	17	40666.0005.....	33		
29446.0004.....	29	34074.1040.....	17	40666.0008.....	33		
29484.0000.....	31	34081.1000.....	9	40670.0005.....	19		
29484.0001.....	31	34097.0000.....	19	40763.0002.....	31		