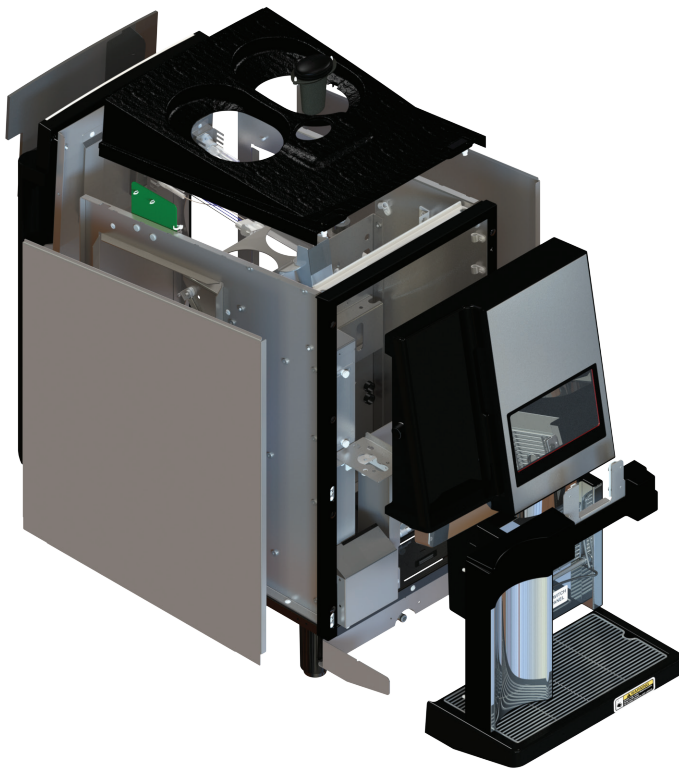
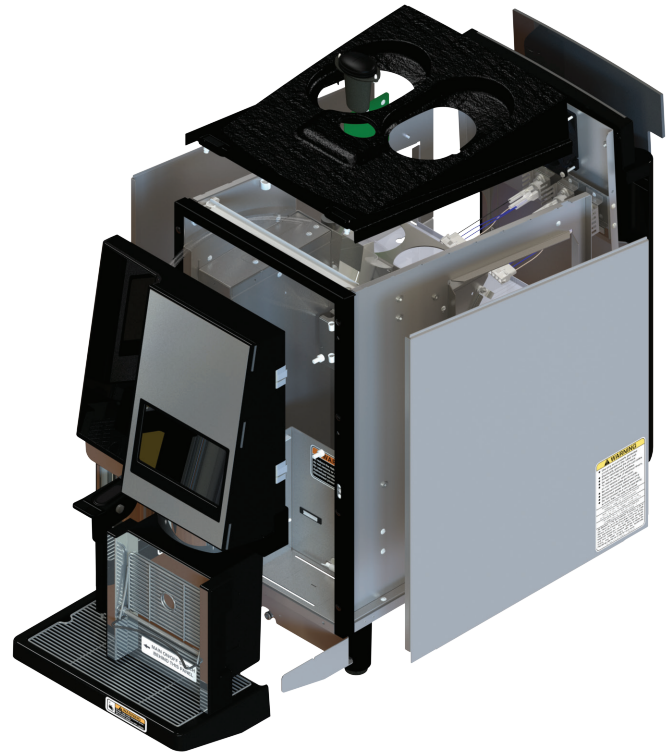




SURE TAMP[®] AUTO SURE TAMP[®] STEAM



AUTO



STEAM

ILLUSTRATED PARTS CATALOG

Designs, materials, weights, specifications, and dimensions for equipment or replacement parts are subject to change without notice.

BUNN-O-MATIC CORPORATION

POST OFFICE BOX 3227

SPRINGFIELD, ILLINOIS 62708-3227

PHONE: (217) 529-6601 FAX: (217) 529-6644

www.bunn.com

To ensure you have the latest revision of the Operating Manual, Illustrated Parts Catalog, Programming Manual, or Service Manual, please visit the Bunn-O-Matic website, at www.bunn.com. This is absolutely FREE, and the quickest way to obtain the latest catalog and manual updates. For Technical Service, contact Bunn-O-Matic Corporation at 1-800-286-6070.

Bunn-O-Matic® COMMERCIAL PRODUCT WARRANTY

Bunn-O-Matic Corp. ("BUNN") warrants the BUNN Espresso®, Espresso Systems as further described below for a warranty period of 1 year parts and labor.

These warranty periods run from the date of installation. BUNN warrants that the equipment manufactured by it will be commercially free of defects in material and workmanship existing at the time of manufacture and appearing within the applicable warranty period. This warranty does not apply to any equipment, component or part that was not manufactured by BUNN or that, in BUNN's judgment, has been affected by misuse, neglect, alteration, improper installation or operation, improper maintenance or repair, non periodic cleaning and descaling, equipment failures related to poor water quality, damage or casualty. This warranty is conditioned on the Buyer 1) giving BUNN prompt notice of any claim to be made under this warranty by telephone at (217) 529-6601 or by writing to Post Office Box 3227, Springfield, Illinois 62708-3227; 2) if requested by BUNN, shipping the defective equipment prepaid to an authorized BUNN service location; and 3) receiving prior authorization from BUNN that the defective equipment is under warranty. Additionally, the following is excluded from the warranty period:

Warranty Exclusions:

- Parts such as, but not limited to, hoppers and lids, drip trays, steam wand sheaths, and plastic parts damaged due to improper handling or cleaning agents.
- Replacement of wear items such as, but not limited to, O-rings, gaskets, silicone tubes, hoses, and valve seats.
- Repairs made necessary due to poor water quality such as dispense valves, water inlet valves, scaling in the steam or hot water boilers. (Total Hardness recommended range of 4-7 gpg constant).
- Improper voltage. (See equipment operations manual for voltage specifications).
- Failure to use BUNN approved cleaning supplies constitutes improper maintenance.
- Failure to have required preventive maintenance performed by BUNN technician or authorized espresso service provider.
- Parts replaced under the terms of this warranty carry the remainder on the machine's parts warranty term, or 60 days, whichever is greater.

THE FOREGOING WARRANTY IS EXCLUSIVE AND IS IN LIEU OF ANY OTHER WARRANTY, WRITTEN OR ORAL, EXPRESS OR IMPLIED, INCLUDING, BUT NOT LIMITED TO, ANY IMPLIED WARRANTY OF EITHER MERCHANTABILITY OR FITNESS FOR A PARTICULAR PURPOSE. The agents, dealers or employees of BUNN are not authorized to make modifications to this warranty or to make additional warranties that are binding on BUNN. Accordingly, statements by such individuals, whether oral or written, do not constitute warranties and should not be relied upon. If BUNN determines in its sole discretion that the equipment does not conform to the warranty, BUNN, at its exclusive option while the equipment is under warranty, shall either 1) provide at no charge replacement parts and/or labor (during the applicable parts and labor warranty periods specified above) to repair the defective components, provided that this repair is done by a BUNN Authorized Service Representative; or 2) shall replace the equipment or refund the purchase price for the equipment.

THE BUYER'S REMEDY AGAINST BUNN FOR THE BREACH OF ANY OBLIGATION ARISING OUT OF THE SALE OF THIS EQUIPMENT, WHETHER DERIVED FROM WARRANTY OR OTHERWISE, SHALL BE LIMITED, AT BUNN'S SOLE OPTION AS SPECIFIED HEREIN, TO REPAIR, REPLACEMENT OR REFUND. In no event shall BUNN be liable for any other damage or loss, including, but not limited to, lost profits, lost sales, loss of use of equipment, claims of Buyer's customers, cost of capital, cost of down time, cost of substitute equipment, facilities or services, or any other special, incidental or consequential damages.

392, A Partner You Can Count On, Air Infusion, AutoPOD, AXIOM, BrewLOGIC, BrewMETER, Brew Better Not Bitter, BrewWISE, BrewWIZARD, BUNN Espresso, BUNN Family Gourmet, BUNN Gourmet, BUNN Pour-O-Matic, BUNN, BUNN with the stylized red line, BUNNlink, Bunn-O-Matic, Bunn-O-Matic, BUNNserve, BUNNSERVE with the stylized wrench design, Cool Froth, DBC, Dr. Brew stylized Dr. design, Dual, Easy Pour, EasyClear, EasyGard, FlavorGard, Gourmet Ice, Gourmet Juice, High Intensity, iMIX, Infusion Series, Intellisteam, My Café, Phase Brew, PowerLogic, Quality Beverage Equipment Worldwide, Respect Earth, Respect Earth with the stylized leaf and coffee cherry design, Safety-Fresh, savemycoffee.com, Scale-Pro, Silver Series, Single, Smart Funnel, Smart Hopper, SmartWAVE, Soft Heat, SplashGard, The Mark of Quality in Beverage Equipment Worldwide, ThermoFresh, Titan, trifacta, TRIFECTA (stylized logo), Velocity Brew, Air Brew, Beverage Bar Creator, Beverage Profit Calculator, Brew better, not bitter., Build-A-Drink, BUNNSource, Coffee At Its Best, Cyclonic Heating System, Daypart, Digital Brewer Control, Element, Milk Texturing Fusion, Nothing Brews Like a BUNN, Picture Prompted Cleaning, Pouring Profits, Signature Series, Sure Tamp, Tea At Its Best, The Horizontal Red Line, Ultra are either trademarks or registered trademarks of Bunn-O-Matic Corporation. The commercial trifacta® brewer housing configuration is a trademark of Bunn-O-Matic Corporation.

TABLE OF CONTENTS

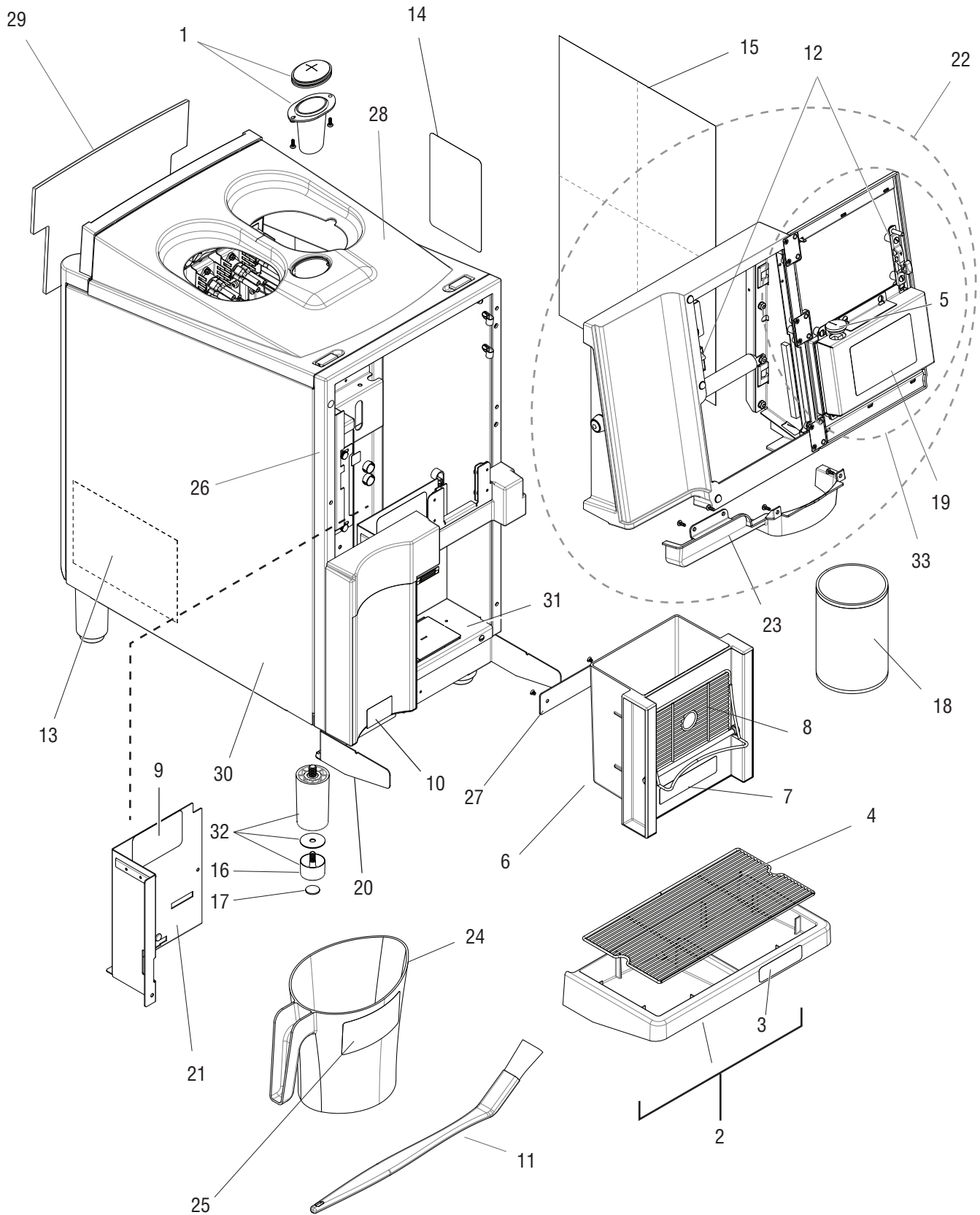
Housings and Covers	4
Steam Wand	8
Hoppers	10
Grinder Section	12
Brew Module.....	14
Boiler Section - Gen 1	16
Brew/Bypass and Steam Line Assemblies (Auto).....	22
Brew/Bypass Assemblies (Steam)	26
Dispense Section Gen 1	28
Dispense Section Gen 2	30
Water Pump	32
Milk Module Gen 1	34
Milk Module Gen 2.....	38
Milk Dispense - Auto Only (Gen 2).....	42
Inlet Water Lines	44
Drain Assemblies	46
Electrical	48
Components for Models 43400.02## (Built after 05/22/17)	
Boiler Section.....	52
Solenoid Valves.....	56
Transducers	58
Water Pump.....	60
Milk Module	62
Electrical	66

To search this document electronically, press “control” + “F” (on P.C.) or “command” + “F” on Mac, then type in description or part number, press “enter” .



HOUSING AND COVERS

**Sure
Tamp**



HOUSING AND COVERS

ITEM	PART NO.	QTY.	DESCRIPTION
1	45551.0001	1	Plug (Cover)
	45552.0001	1	Tablet Chute
	48370.0001	1	Chute Assembly, Tablet (Includes plug) (Older Models)
2	45549.1003	1	Drip Tray (Includes Decal) Later Style shown
	45549.1002	1	Drip Tray (Includes Decal & Hose) Early Style
3	47075.0000	1	Decal, Warning Center Cup
4	52603.0000	1	Grate, Drip Tray Later Style shown
	49512.0000	1	Grate, Drip Tray Early Style
5	07073.0001	1	Grommet
6	51529.1000	1	Kit, Thru Counter Puck Bin (Includes template & instructions) (Early models only)
	47033.1008	1	Kit, Puck Bin (Includes decal & grate) (Later models with flip tray)
	47033.1011	1	Kit, Thru Counter Puck Bin (Includes template & instructions) (Later models only)
	47033.1108	1	Retrofit Kit, Puck Bin (Includes decal & grate) (Later models with flip tray)
	47033.1111	1	Retrofit Kit, Thru Counter Puck Bin (Includes decal & grate) (Later models only)
	47033.1113	1	Retrofit Kit, Puck Bin (Includes Spanish decal & grate) (Later models with flip tray)
7	47074.0000	1	Decal, Main Switch, English
	47074.8000	1	Decal, Main Switch, Spanish
8	51637.0002	1	Grate (Late Models only with flip tray)
9	37881.0000	1	Decal, Warning No Serviceable Parts
10	47622.0000	1	Decal, Warning Steam
11	47745.0000	1	Brush
12	48245.0000	1	Kit, Latch (Includes catch & keeper)
	01382.0007	2	Screw, TRH SLTD BLK 6-32 x .375"
	02328.0003	2	Screw, PNH SLTD SST 6-32 x .312"
13	25151.0000	1	Shield, Mylar
14	47077.0000	1	Decal, Warning Electrical
15	47127.0000	1	Schematic
16	00754.0001	4	Foot
17	03993.0000	4	Pad
18	48236.1001	1	Kit, Cleaning Tube
19	50052.0000	1	Decal, Hot Line

NOTE: New style puck bin with flip tray requires new style shield (21) 46461.1004. This shield is included in retrofit kits.

CONTINUED

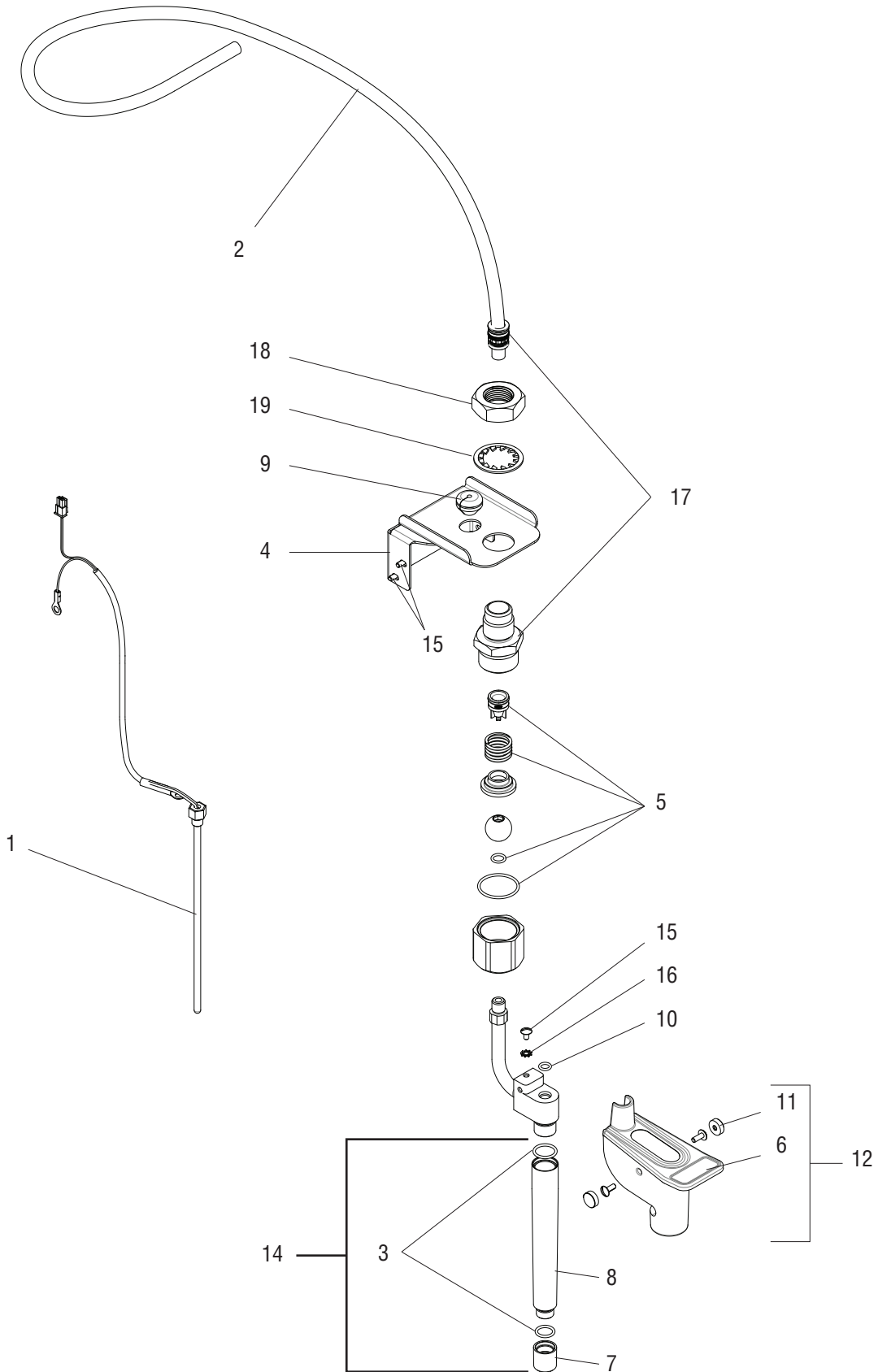
HOUSING AND COVERS

ITEM	PART NO.	QTY.	DESCRIPTION
20	51549.1001	1	Kit, Drip Tray Bracket (Quick Connect)
21	46461.1004	1	Kit, Puck Bin Shield (New style shown w/magnets required for flip tray style bin)
22	44291.1000	1	Kit, Door (Includes # 23) (Does not include # 19) w/o Touchscreen
23	45542.0008	1	Bezel, Chrome
	45542.0004	1	Bezel, Black (Latin America Only)
	38044.0000	4	Screw, PNH #6 x .375
24	50202.1000	1	Pitcher
25	49685.0001	1	Decal, Cleaning/Sanitizing
26	54236.0000	1	Decal, Warning Electric Shock
27	51925.1000	1	Kit, Strike Plate
	51982.0001	2	Screw, FH SLTD 6-32x3/16
28	45521.0002	1	Cover, Top
29	47525.1000	1	Kit, Clear Bezel w/Graphics, Black
30	45834.1001	1	Kit, Panel Left (Includes 25151.0000)
	45833.1000	1	Kit, Panel Right (Includes 47077.0000)
31	56213.0000	1	Kit, Base Plate
32	47978.1001	4	Kit, Leg (Includes item 16)
33	44291.1001	1	Kit, Operator Door (Includes # 23) (Does not include # 19) w/o Touchscreen



STEAM WAND

**Sure
Tamp**



STEAM WAND

ITEM	PART NO.	QTY.	DESCRIPTION
1	52506.1000	1	Kit, Steam Wand NTC Probe Assembly (Includes # 9 & 10)
2		1	Tubing, 38 Inches (Order # 13)
3	48711.0000	-	Kit, O-Rings
4	52542.0000	1	Bracket
5	51357.1000	1	Kit, Check Valve
6	50921.0001	1	Handle, Steam Wand
7	45851.0000	1	End Cap
8	46427.0000	1	Insulator Tube
9	33201.0001	1	Grommet
10	51883.0000	1	O-Ring
11	52482.0000	2	Cap
	01382.0007	2	Screw, TRH SLTD BLK 6-32 x .375
12	50921.1000	1	Kit, Steam Wand Handle (Includes screws & caps)
13	46427.0000	1	Insulator Tube
14	49593.0000	1	Kit, Steam Wand Tube and End Cap
15	01308.0002	4	Screw, TRH SLTD SST 6-32 x .25
16	01510.0000	1	Lock Washer
17	50551.1001	1	Kit, Steam Wand Fittings
18	52483.0000	1	Nut, SST 7/8 - 14
19	52484.0000	1	Lock Washer

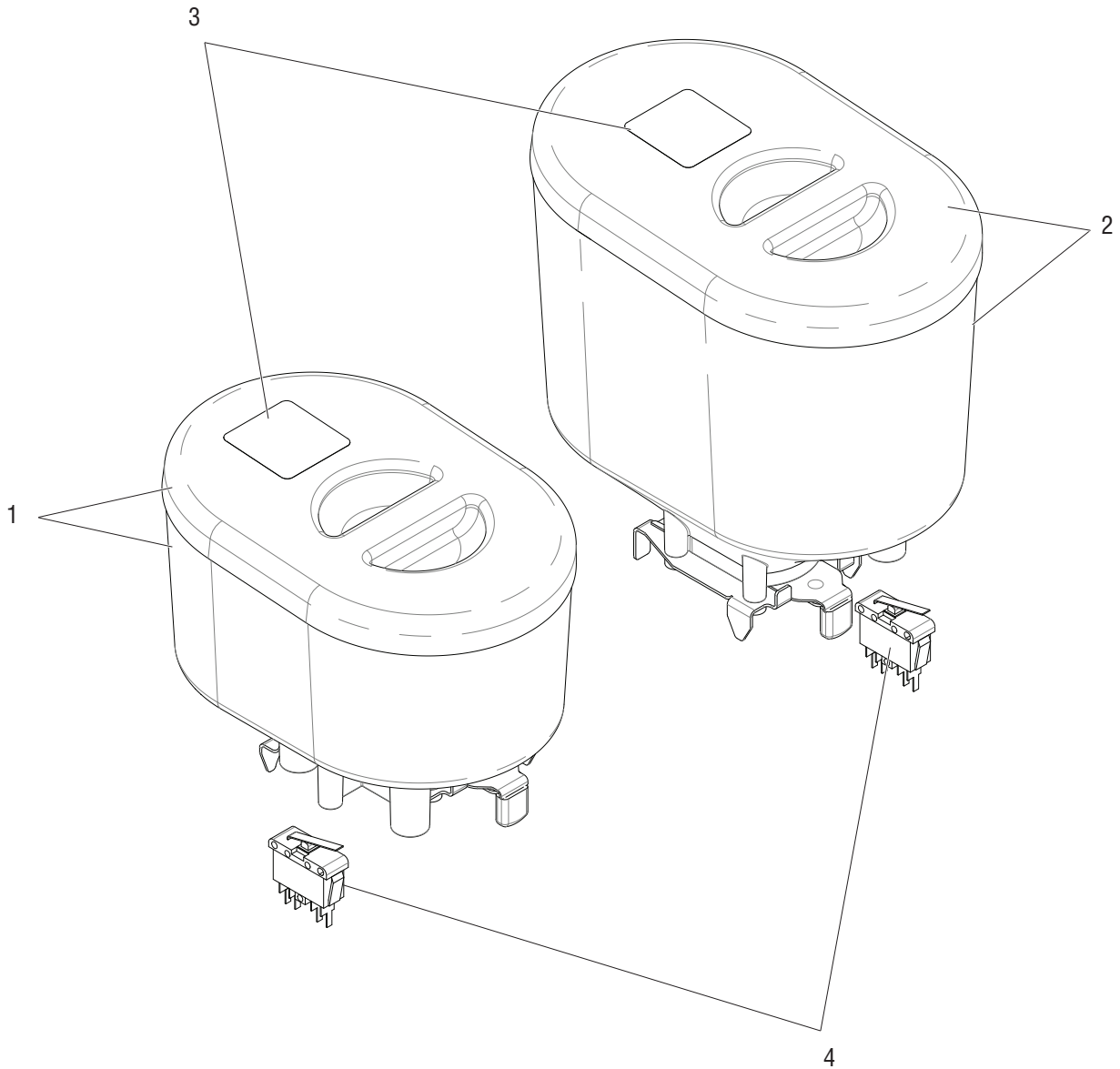
The following items are not illustrated

20	48080.1000	-	Tubing, 1 Foot
	48080.1001	-	Tubing, 3 Feet
	48080.1002	-	Tubing, 10 Feet
21	44023.1000	-	Lube, Silicon
22	52514.1000	1	Kit, Steam Wand Retrofit



HOPPERS

**Sure
Tamp**



HOPPERS

ITEM	PART NO.	QTY.	DESCRIPTION
1	46254.1000 45524.1000	1 1	Hopper Assembly, Small Lid Kit, Small
2	46255.1000 45525.1000	1 1	Hopper Assembly, Large Lid Kit, Large
3	52001.0000 52001.8000	1 1	Decal, Caution Personal Injury (English) Decal, Caution Personal Injury (Spanish)
4	46534.0001	2	Switch

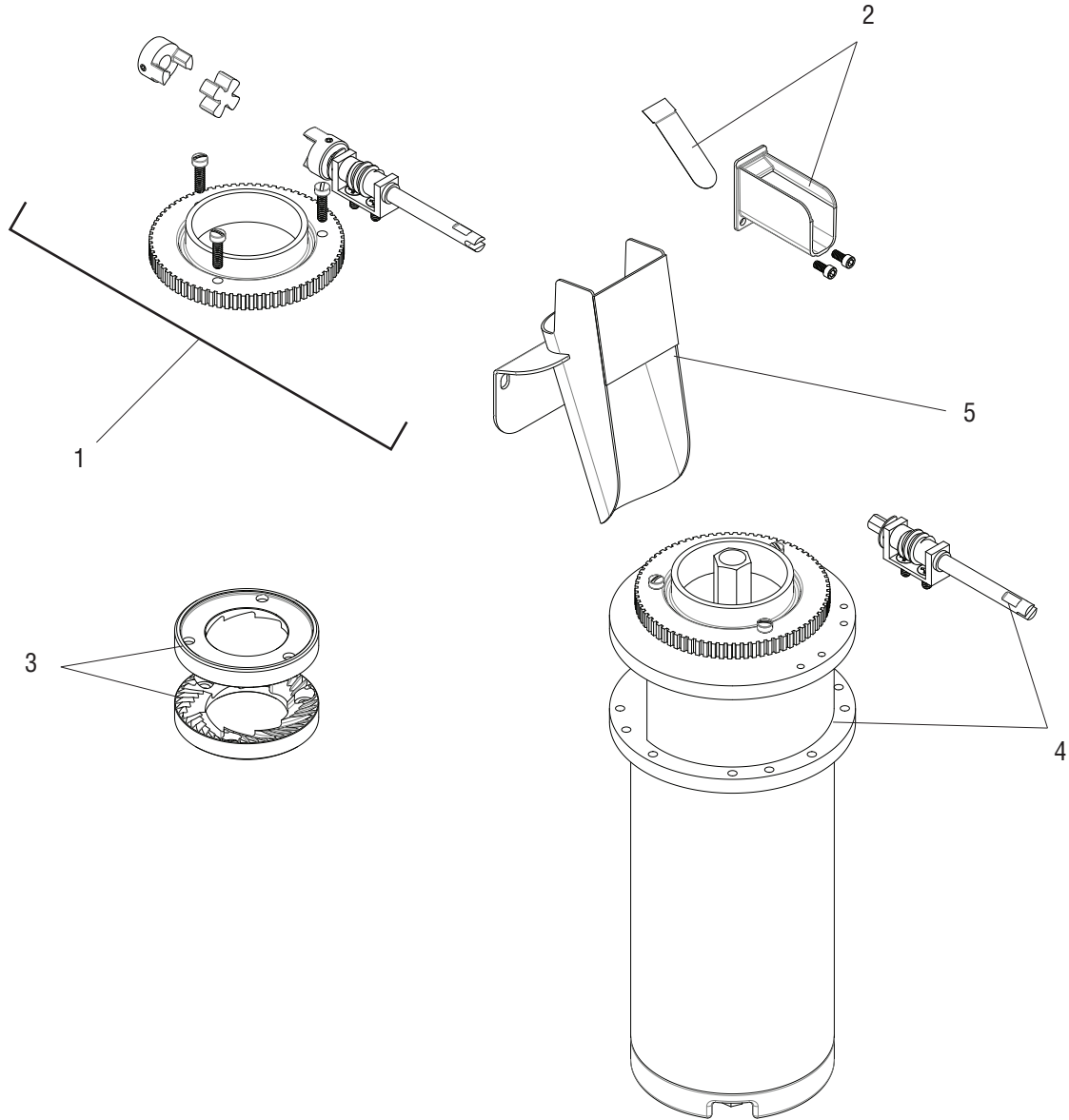
The following items are not illustrated

5	46254.1003	-	Hopper Extension Kit - Small
6	46255.1003	-	Hopper Extension Kit - Large



GRINDER SECTION

**Sure
Tamp**



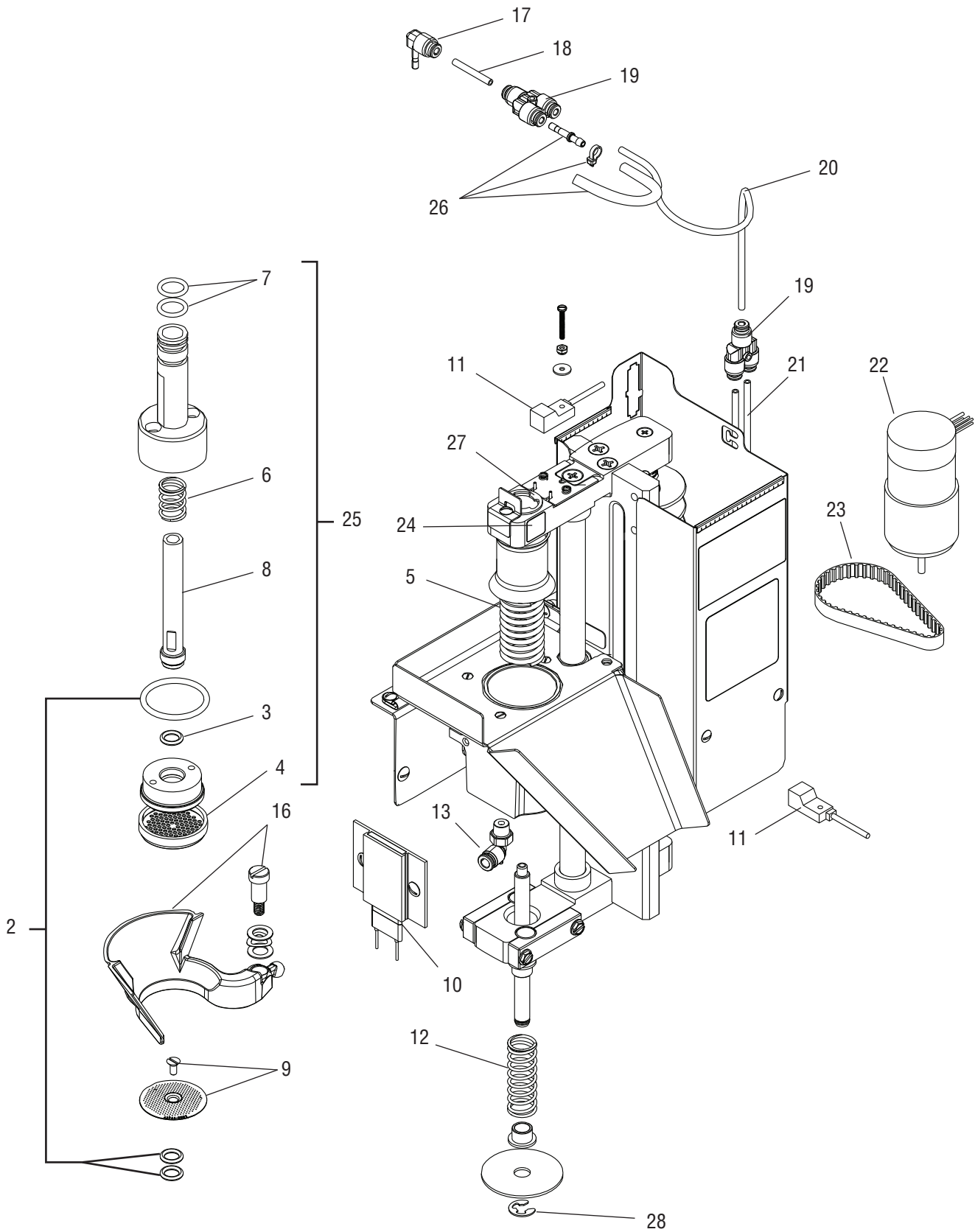
GRINDER SECTION

ITEM	PART NO.	QTY.	DESCRIPTION
1	48712.0001	1	Kit, Grinder Adjust
2	48717.0000	1	Kit, Espresso Dechaffer Assembly
3	48791.1000	1	Kit, Grinder Burrs
4	49226.0004	1	Grinder Assembly, w/connector & EMI Filter
5	46181.0003	1	Chute, Grounds
	01308.0002	2	Screws



BREW MODULE

Sure Tamp



BREW MODULE

ITEM	PART NO.	QTY.	DESCRIPTION
1	44207.1004 44207.1104	1 1	Kit, Brew Module Assembly Brew Module Assembly (Refurb)
2	48249.0000	1	Kit, Brew Module O-rings (Includes large o-ring & 2 quad seals)
3	48233.0000	1	O-ring
4	44667.0000	1	Screen
5	44761.0000	1	Spring
6	44749.0000	1	Spring
7	48895.0000	2	O-ring
8	49016.1000	1	Kit, Tube Upper Piston
9	43966.1002	1	Kit, Photo Etch Shower Screen
10	46030.0007	1	Element Assembly, PTC
11	48985.0000	2	Sensor Assembly, Proximity
12	44694.0000	1	Spring
13	54467.0000	1	Fitting, Elbow
14	46556.1012	1	Tubing 1.75"
15	50069.0000	1	Fitting, Elbow
16	43516.1004	1	Kit, Swiper
17	53420.0000	1	Fitting, Elbow
18		1	Tubing 1.25" (Order # 26)
19	53418.0000	2	Divider, 2 Way
20		1	Tubing 10.5" (Order # 26)
21		2	Tubing 3.0" (Order # 26)
22	44690.0001	1	Motor Assembly
23	44298.0001	1	Belt
24	54237.0000	1	Decal, Warning Pinch
25	44743.1001	1	Kit, Upper Piston Assembly
26	54670.0000	1	Kit, Vent Valve
27	44763.0000	1	Retaining Ring
28	44697.0001	1	Retaining Ring

The Following Items Are Not Illustrated

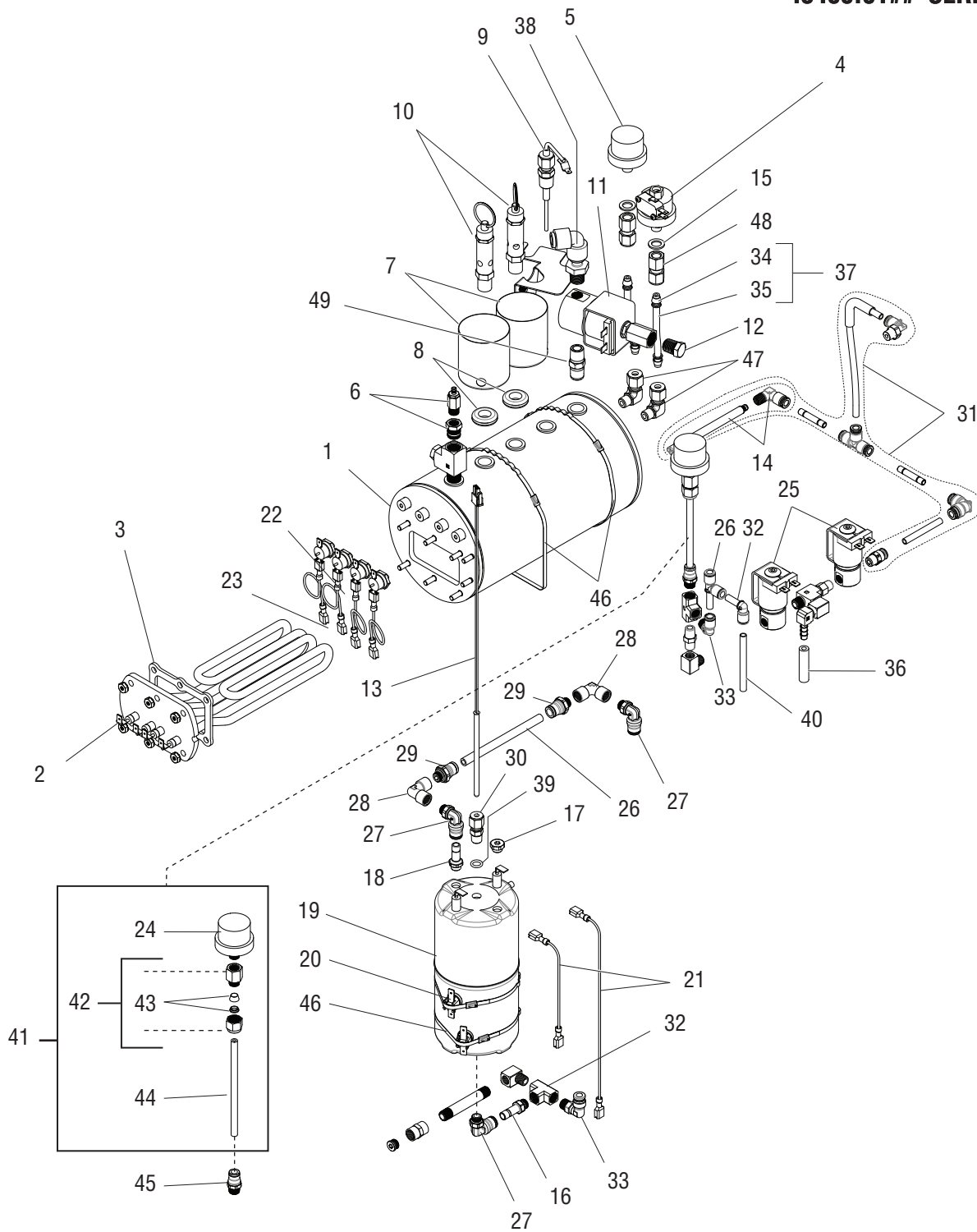
26	47021.1000 47021.1001 47021.1000	- - -	Tubing, 1 Foot Tubing, 3 Feet Tubing, 10 Feet
27	44023.1000	-	Lube, 1 oz Tube (Used for o-rings)
28	53402.0000	-	Lubriplate 1.75 oz (Used for spindle)



BOILER SECTION - GEN 1

Sure Tamp

43400.01## SERIES



BOILER SECTION - GEN 1

ITEM	PART NO.	QTY.	DESCRIPTION
1	43960.1002	1	Kit, Boiler Tank (Includes nuts, gasket & ties)
2	46249.1001	1	Kit, Heater Assembly 3000W 208VAC w/Gasket
3	55461.0000	1	Gasket, Boiler Heater
4	46531.0000	1	Switch, Pressure
5	46104.1000	1	Kit, Transducer 0-3 Bar
6	50761.1001	1	Kit, Vacuum Breaker Valve w/Reducer (includes Tee & tubes)
7	46069.0003	2	Cup, Overflow
8	46552.0001	2	Grommet
9	46033.1000	1	Liquid Level Probe
10	46008.0000	2	Safety Valve
11	56785.0000	1	Solenoid, 24VDC 3-Way
	56806.0000	1	Repair Kit (plunger & seal)
12	48745.0000	1	Plug
13	12568.1016	1	Temperature Probe
14	55966.1000	1	Kit, Strainer w/Elbow
15	47682.0000	2	Gasket, Copper
16	51735.0000	1	Fitting
17	51738.0000	1	Plug
18	47199.0001	1	Fitting
19	46005.1101	1	Kit, Coffee Boiler (Includes 13, 17-20, 27, 30, 39, 47)
20	48803.0000	2	Kit, Limit Thermostat, Auto Reset
21	21016.0316	1	Lead, Blue 9"
	21016.0317	1	Lead, Red 8"
22	46532.1000	4	Kit, Limit Thermostat, Manual Reset (w/Leads)
23	21003.0419	2	Lead 18AWG Red 3.0"
	21005.0990	1	Lead 18AWG Brn/Blk 3.0"
	21005.0991	1	Lead 18AWG Brn/Whi 3.0"

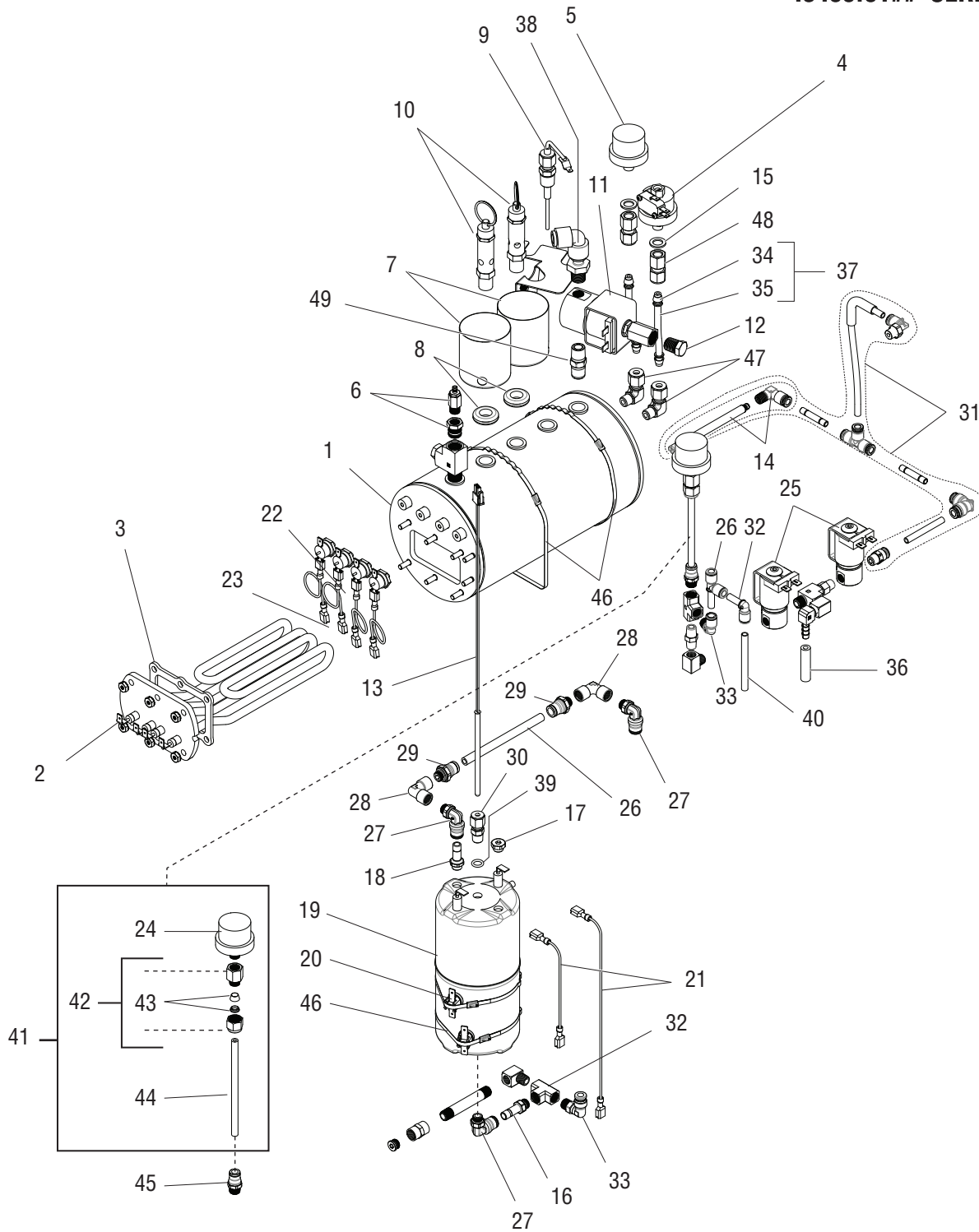
CONTINUED



BOILER SECTION - GEN 1

Sure Tamp

43400.01## SERIES



BOILER SECTION - GEN 1

ITEM	PART NO.	QTY.	DESCRIPTION
24	46103.1000	1	Kit, Transducer 0-10 Bar
25	56364.0000 56367.0000	2 -	Solenoid, 2-Way 3/32 Orifice 24VDC (Turn coil direction as needed) Repair Kit (plunger & seal)
26	47365.0000	1	Tee, Push to Connect
27	51742.0000	3	Elbow, Push to Connect
28	51744.0000	2	Fitting, Reducer
29	51743.0000	2	Fitting
30	51740.0000	1	Fitting (temp probe)
31	55966.1001	1	Kit, Strainer w/Elbow and Fittings (as outlined)
32	48273.0000	1	Fitting, Tee
33	54467.0000	1	Elbow, Push to Connect
34	51042.0000	4	Sleeve (ferrule)
35	46556.1008	2	Tubing, 3.5"
36		1	Tubing 1.5" (Order # 50)
37	52024.0000	1	Kit, FEP Tube & Sleeve (Includes items 34 & 35)
38	53193.0000	1	Elbow Assembly
39	51739.0000	1	O-Ring
40		1	Tubing 2.62" (Order # 49)
41	52888.0000	1	Retrofit Kit, Transducer
42	52880.0000	1	Fitting
43	52886.0000	1	Ferrule Set
44		1	Tubing 4.5" (Order # 48)
45	46063.0000	1	Fitting
46	37061.0000	4	Tie
47	48282.0001	2	Elbow
48	48281.0000	2	Fitting, Compression
49	46573.0001	1	Nipple, Hex

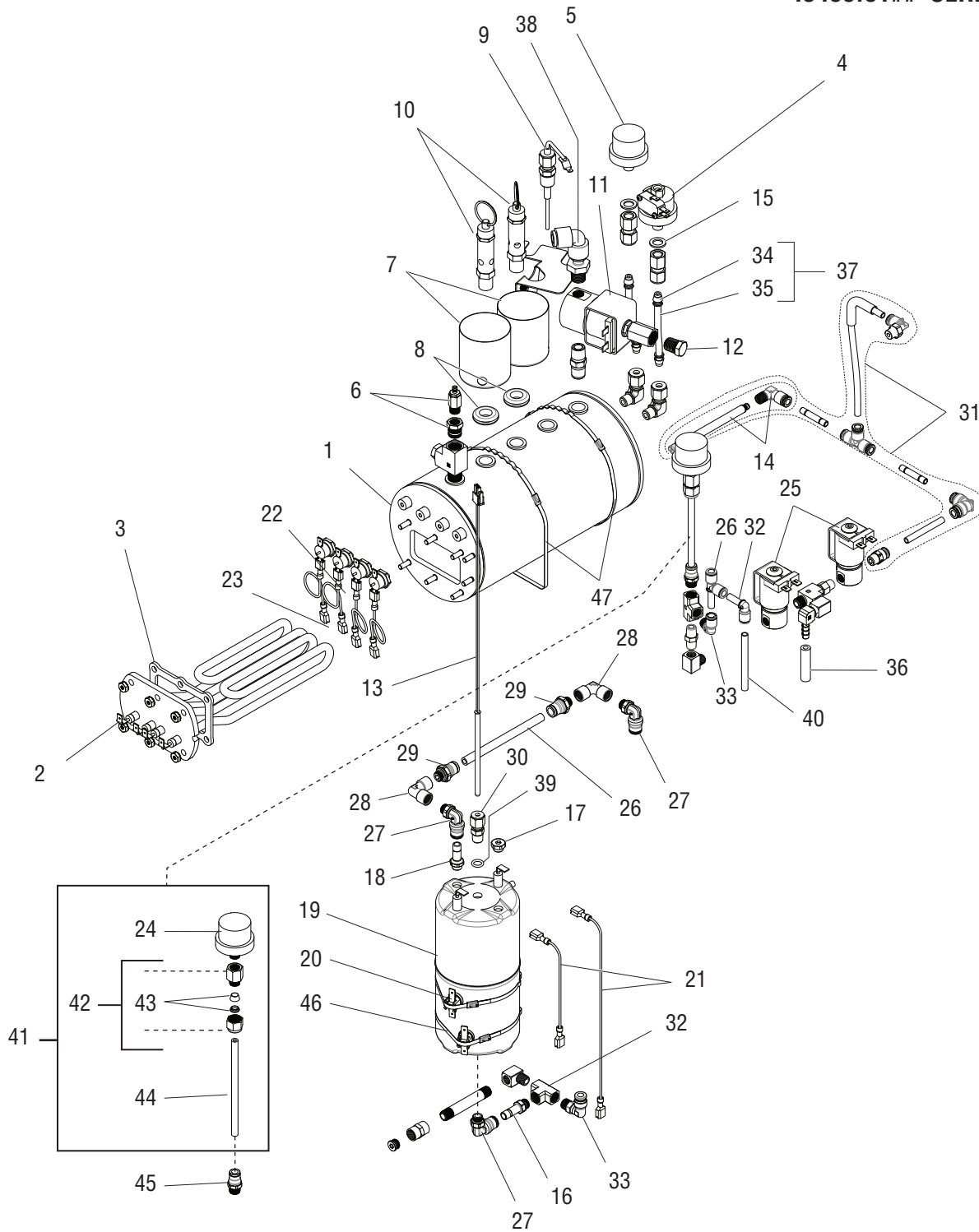
CONTINUED



BOILER SECTION - GEN 1

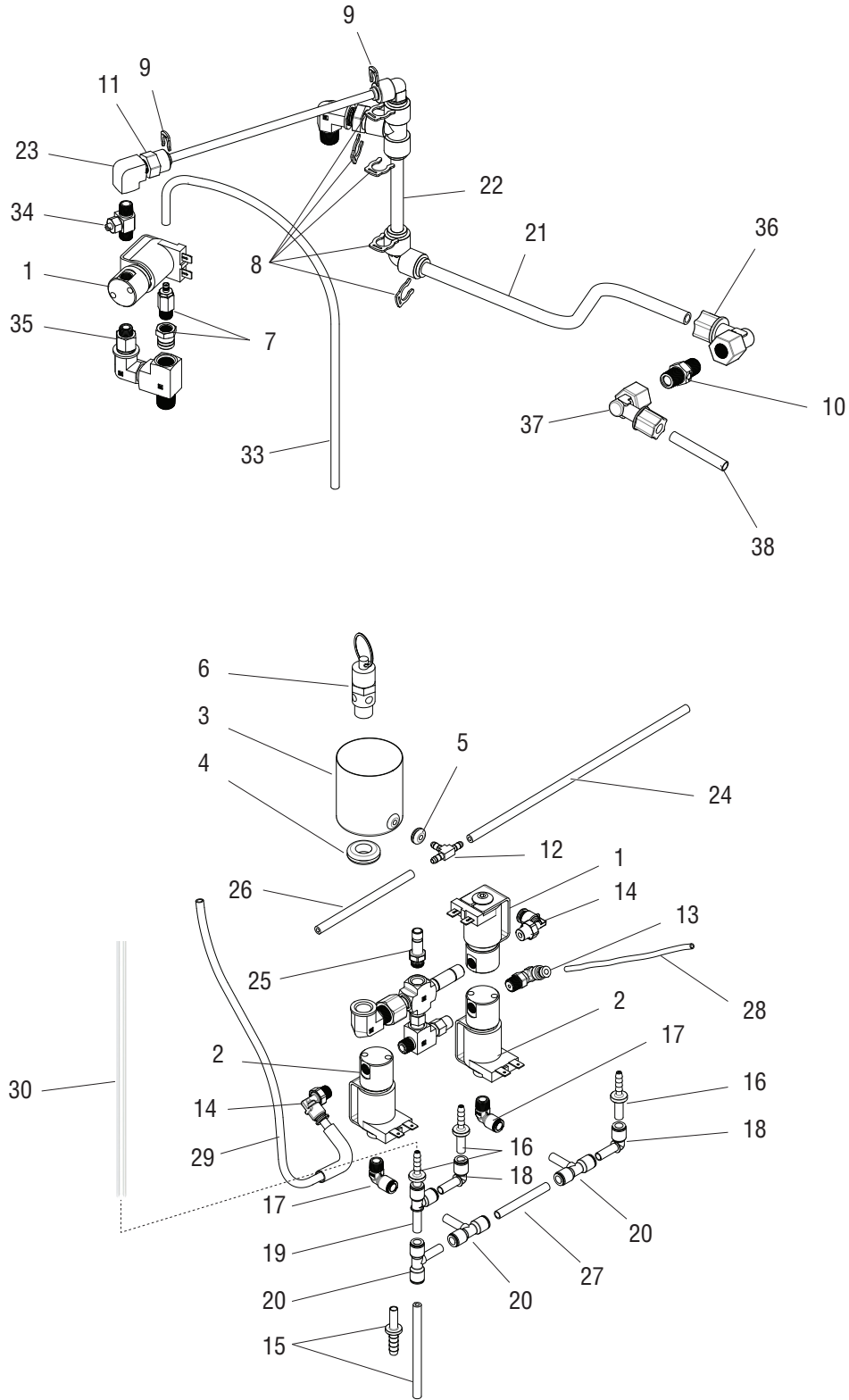
Sure Tamp

43400.01## SERIES



BOILER SECTION - GEN 1

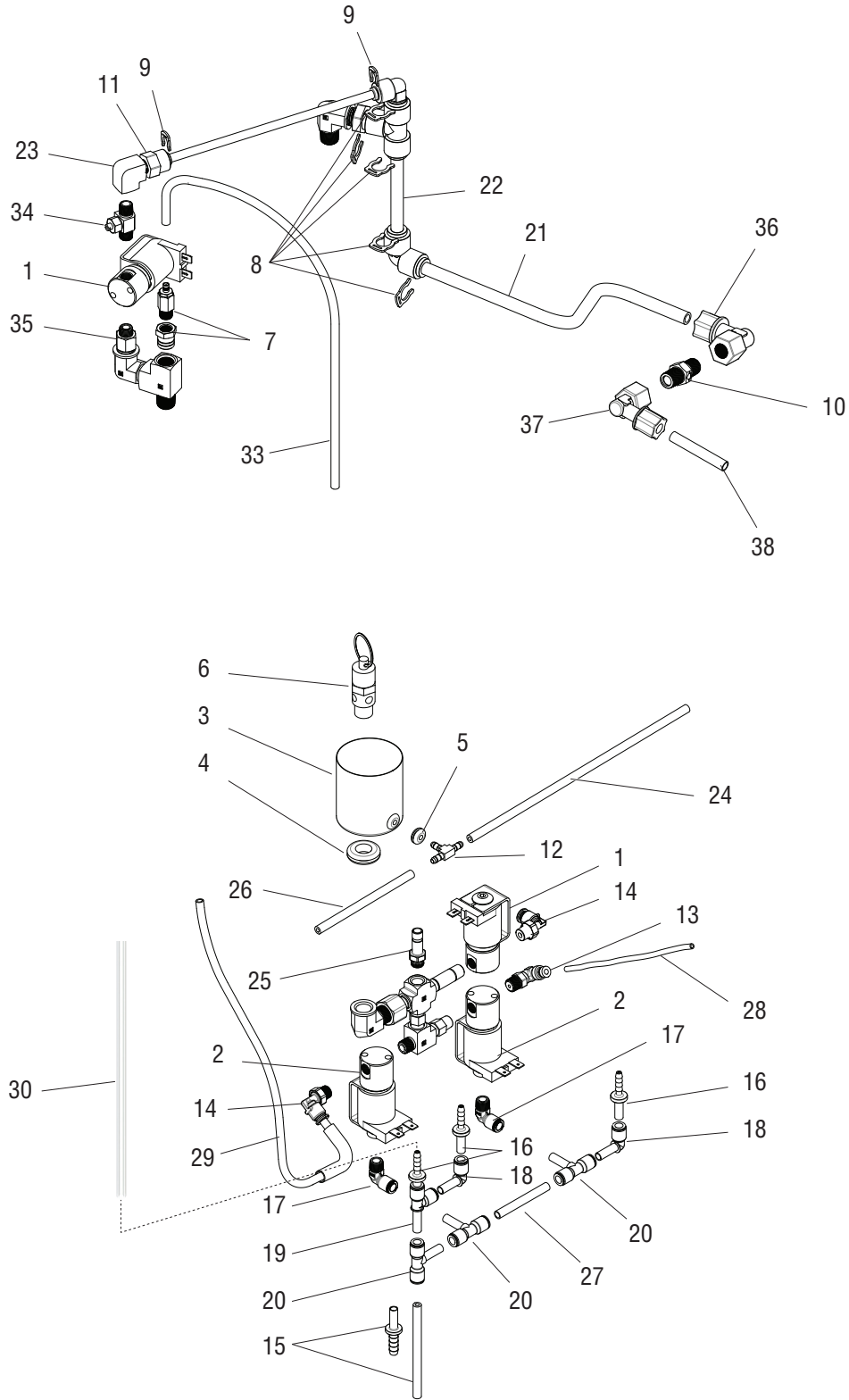
ITEM	PART NO.	QTY.	DESCRIPTION
The Following Items Are Not Illustrated			
47	46524.1003	1	Kit, Steam Boiler
	46738.1002	1	Kit, Auto Boiler
48	46556.1000	-	Tubing, 1 Foot
	46556.1001	-	Tubing, 3 Foot
	46556.1002	-	Tubing, 10 Feet
49	46581.1000	-	Tubing, 1 Foot
	46581.1001	-	Tubing, 3 Feet
	46581.1002	-	Tubing, 10 Feet
50	42916.1000	-	Tubing, 1 Foot
	42916.1001	-	Tubing, 3 Feet
	42916.1002	-	Tubing, 10 Feet
	42916.1004	-	Tubing, 250 Feet



BREW/BYPASS & STEAM LINE ASSEMBLIES (AUTO) - GEN 1

ITEM	PART NO.	QTY.	DESCRIPTION
1	56364.0000	2	Solenoid, 2-Way 3/32 Orifice 24VDC (Turn coil direction as needed)
	56367.0000	-	Repair Kit (plunger & seal)
	56371.0000	-	Repair Kit (plunger, seals, o-rings, spring, sleeve)
2	56365.0000	2	Solenoid, 3-Way 3/64 Orifice 24VDC (Turn coil direction as needed)
	56369.0000	-	Repair Kit (plunger & seal)
	56373.0000	-	Repair Kit (plunger, seals, o-rings, spring, sleeve)
3	46069.0003	1	Cup, Overflow
4	46552.0001	1	Grommet
5	46551.0000	1	Grommet
6	46179.0000	1	Safety Valve
7	50761.1001	1	Valve, Vacuum Breaker
8	34507.0000	5	Clip, Locking 3/8" Tubing
9	29874.0000	2	Clip, Locking 1/4" Tubing
10	48685.0000	1	Check Valve
11	48743.0000	1	Fitting, Push to Connect
12	47332.0000	1	Tee
13	55929.0000	1	Elbow, Push to Connect
14	54467.0000	2	Fitting, Elbow 6mm 1/8" NPT SST
15		1	Tubing, 2.375" (Order # 40) (Later models)
	37925.0000	1	Fitting, Push to Connect 1/4" - 1/4" (Early models)
16	37925.0001	3	Fitting, Push to Connect 1/4" - 3/16"
17	46062.0000	2	Elbow, Push to Connect
18	46059.0000	1	Elbow, Push to Connect
19	47365.0000	1	Tee, Push to Connect
20	46058.0000	3	Tee, Push to Connect
21		1	Tubing, 12.25" (Order # 40)
22		1	Tubing, 2.75" (Order # 40)
23	48407.0000	1	Elbow

CONTINUED



BREW/BYPASS & STEAM LINE ASSEMBLIES (AUTO) - GEN 1

ITEM	PART NO.	QTY.	DESCRIPTION
24		1	Tubing, 9.25" (Order # 39)
26	51735.0000	1	Fitting
27		1	Tubing, 4.0" (Order # 39)
29		1	Tubing, 12.0" (Order # 45)
30		1	Tubing 15.5" (Order # 43)
31		1	Tubing, 8.0" (Order # 45)
32		1	Tubing, 10.0" (Order # 39)
33		1	Tubing, 18" (Order # 39)
34	48274.0000	1	Needle Valve
35	44939.0000	1	Reducer
36	48684.0000	1	Elbow
37	48686.0000	1	Elbow
38		1	Tubing 2" (Order # 46)

The Following Items Are Not Illustrated

39	36630.1000	-	Tubing, 1 Foot
	36630.1001	-	Tubing, 3 Feet
	36630.1002	-	Tubing, 10 Feet
40	48080.1001	-	Tubing, 1 Foot
	48080.1001	-	Tubing, 3 Feet
	48080.1002	-	Tubing, 10 Feet
41	46556.1000	-	Tubing, 1 Foot
	46556.1001	-	Tubing, 3 Foot
	46556.1002	-	Tubing, 10 Foot
42	46581.1000	-	Tubing, 1 Foot
	46581.1001	-	Tubing, 3 Feet
	46581.1002	-	Tubing, 10 Feet
43	47021.1000	-	Tubing, 1 Foot
	47021.1001	-	Tubing, 3 Feet
	47021.1000	-	Tubing, 10 Feet
44	54668.0000	-	Kit, Brew Line (Includes 14, 29)
45	50734.1000	-	Tubing, 1 Foot
	50734.1001	-	Tubing, 3 Feet
	50734.1002	-	Tubing, 10 Feet
46	49533.1000	-	Tubing, 1 Foot
	49533.1001	-	Tubing, 3 Feet
	49533.1002	-	Tubing, 10 Feet

BREW/BYPASS ASSEMBLY (STEAM) - GEN 1

ITEM	PART NO.	QTY.	DESCRIPTION
1	56364.0000 56367.0000 54937.0000	1 - -	Solenoid, 2-Way 3/32 Orifice 24VDC (Turn coil direction as needed) Repair Kit (plunger & seal) Repair Kit (plunger, seals, o-rings, spring, sleeve)
2	56365.0000 56369.0000 56373.0000	2 - -	Solenoid, 3-Way 3/64 Orifice 24VDC (Turn coil direction as needed) Repair Kit (plunger & seal) Repair Kit (plunger, seals, o-rings, spring, sleeve)
3	46069.0003	1	Cup, Overflow
4	46552.0001	1	Grommet
5	46551.0000	1	Grommet
6	46179.0000	1	Safety Valve
7	46062.0000	2	Elbow, Push to Connect
8	55929.0000	1	Elbow, Push to Connect
9	54467.0000	2	Fitting, Elbow
10	46058.0000	3	Tee, Push to Connect
11	47365.0000	2	Tee, Push to Connect
12	46059.0000	2	Elbow, Push to Connect
13	37925.0000	1	Fitting, Push to Connect 1/4" - 1/4"
14	37925.0001	3	Fitting, Push to Connect 1/4" - 3/16"
15	47332.0000	2	Tee
16		1	Tubing, 2.12" (Order # 26)
17		1	Tubing, 9.25" (Order # 24)
18		1	Tubing, 3.0" (Order # 24)
19	51735.0000	1	Fitting
20		1	Tubing 15.5" (Order # 25)
21	50734.1000	1	Tubing, 12.0"
22		1	Tubing, 13.5" (Order # 24)
23			

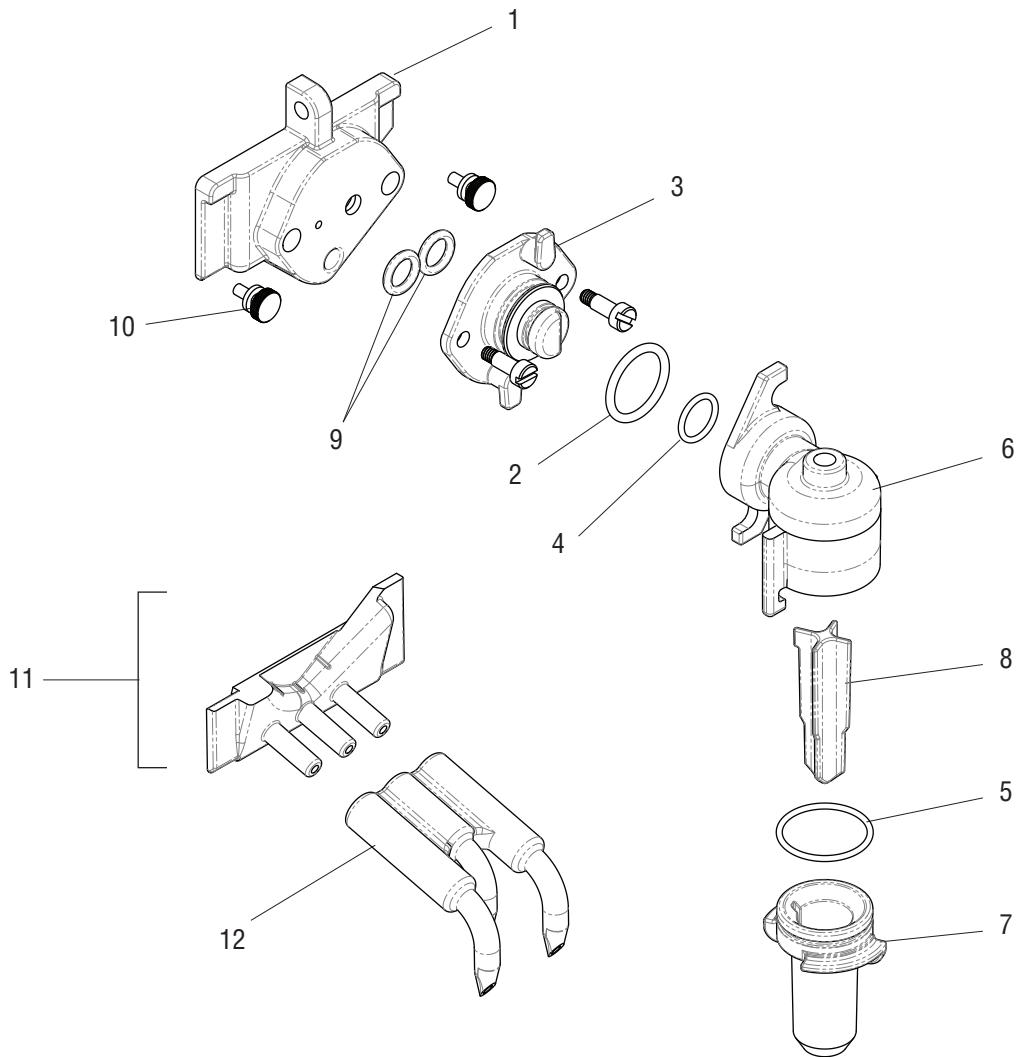
The Following Items Are Not Illustrated

24	36630.1000 36630.1001 36630.1002	- - -	Tubing, 1 Foot Tubing, 3 Feet Tubing, 10 Feet
25	47021.1000 47021.1001 47021.1000	- - -	Tubing, 1 Foot Tubing, 3 Feet Tubing, 10 Feet
26	46581.1000 46581.1001 46581.1002	- - -	Tubing, 1 Foot Tubing, 3 Feet Tubing, 10 Feet
27	54668.0000	-	Kit, Brew Line (Includes 9, 21)



DISPENSE SECTION - GEN 1

**Sure
Tamp**



DISPENSE SECTION - GEN 1

ITEM	PART NO.	QTY.	DESCRIPTION
1	46597.1000	1	Kit, Dispense Head Base
2	48230.0000	1	O-ring
3	46598.0001	1	Tip, Milk Frother
4	48231.0000	1	O-ring
5	48232.0000	1	O-ring
6	46599.0002	1	Whipping Chamber
7	46601.0001	1	Tip, Laminar Flow
8	46602.0000	1	Insert, Laminator
9	48233.0000	2	O-ring
10	41480.1000	2	Thumbscrew
11	46676.1001	1	Holder Assembly, Dispense Tip (Includes pressed in tube fittings)
12	48833.0000	1	Tip, Dispense

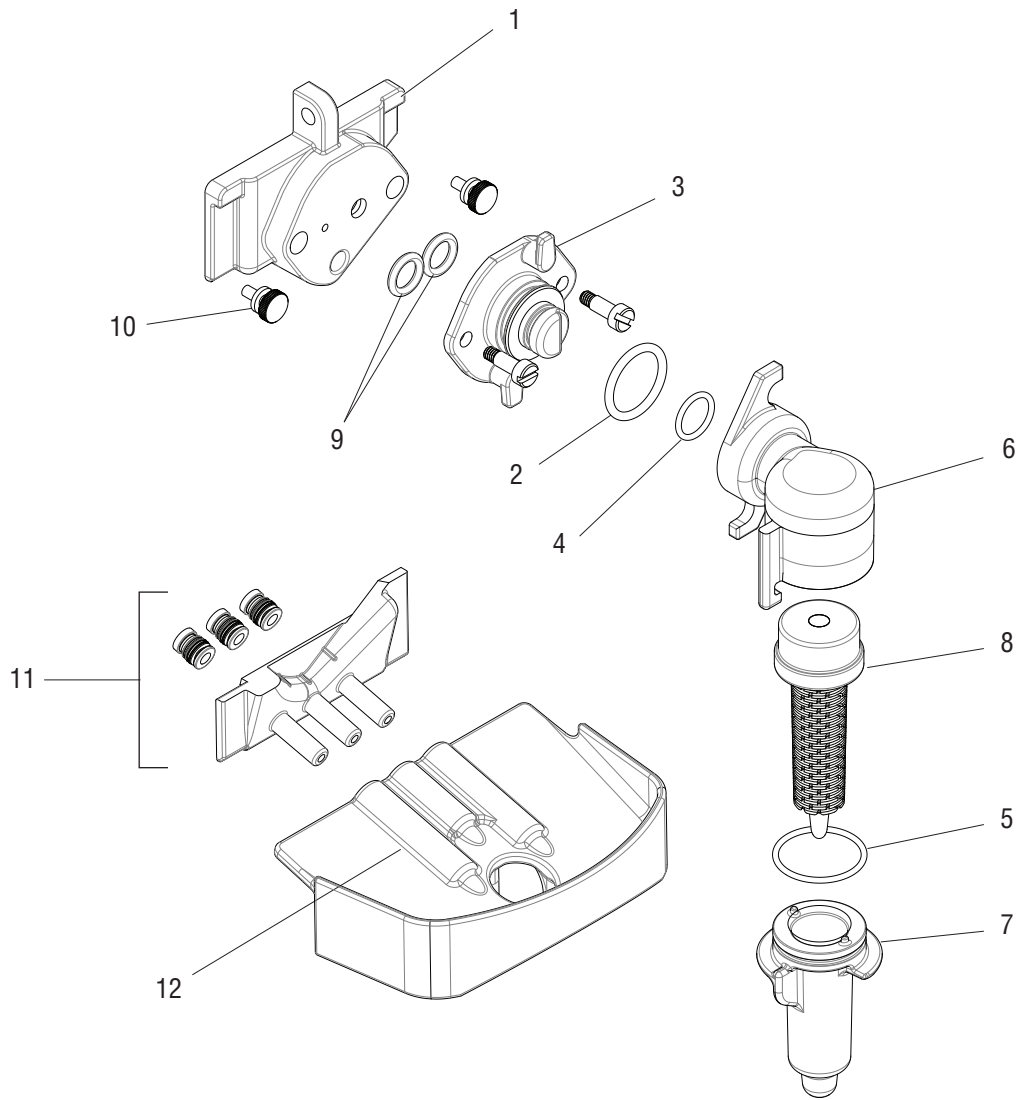
The Following Items Are Not Illustrated

13	44023.1000	-	Kit, Haynes Silicone Lube
14	51682.0000	-	Kit, Laminator Tip with Insert (Includes 5,7,8)
15	51682.0001	-	Kit, Dispense Head Parts (Includes 5,7,8,12)



DISPENSE SECTION - GEN 2

**Sure
Tamp**



DISPENSE SECTION - GEN 2

ITEM	PART NO.	QTY.	DESCRIPTION
1	46597.1000	1	Kit, Dispense Head Base
2	48230.0000	1	O-ring
3	46598.0002	1	Tip, Milk Frother
4	48231.0000	1	O-ring
5	48232.0000	1	O-ring
6	46599.0002	1	Whipping Chamber
7	53577.0001	1	Chamber, Frothing
8	53925.0000	1	Frother
9	48233.0000	2	O-ring
10	41480.1000	2	Thumbscrew
11	46676.1001	1	Holder Assembly, Dispense Tip (Includes pressed in tube fittings)
12	48833.0002	1	Tip, Dispense w/Guard

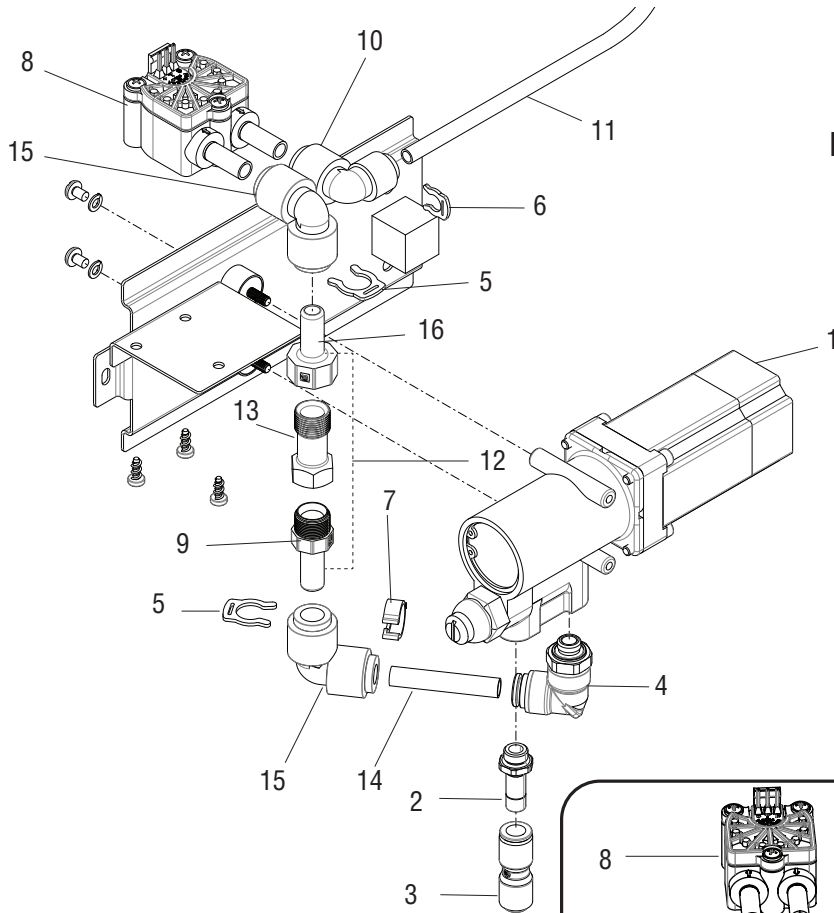
The Following Items Are Not Illustrated

13	44023.1000	-	Kit, Haynes Silicone Lube
14	54439.0000	-	Kit, Milk Frother (Includes 5, 7, 8)

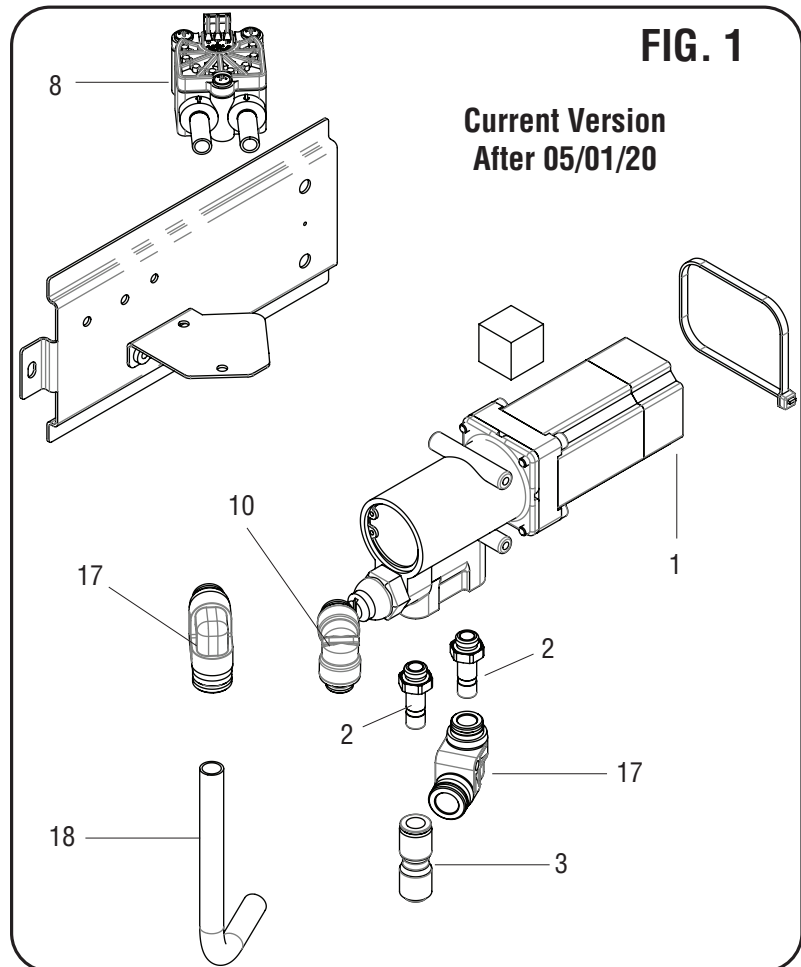


WATER PUMP

Sure Tamp



**Item #19 - Kit, Check Valve Upgrade
Replaces items 4,5,7,9,13,14,15 & 16**



WATER PUMP

ITEM	PART NO.	QTY.	DESCRIPTION
1	48244.0000	1	Kit, Water Pump w/cable tie
2	55544.0000	1	Fitting
3	50044.0000	1	Fitting, Push to Connect 5/16"
4	53421.0000	1	Fitting (Order #19)
5	34507.0000	2	Clip (Order #19)
6			
7	54154.0000	1	Safety Clip (Order #19)
8	40752.0004	1	Flow Meter
9	49842.0000	1	Adaptor (Order #19)
10	55541.0000	1	Fitting
11		1	Tubing, (Order # 22)
12		1	Kit, Supply Line Adaptor (Order #19)
13	49835.0002	1	Adaptor (Order #19)
14	49533.0000	1	Tubing, 2.0" (Order #19)
15	54152.0000	2	Fitting (Order #19)
16	49841.0000	1	Adaptor (Order #19)
17	56499.0000	2	Fitting, Elbow 8MM to 10MM
18	56504.0000	1	Formed Tube Asembly with Check Valve & Flow Regulator
19	57377.0000	1	Kit, Check Valve Upgrade (Includes 2,17,18)
20	46722.1004		Kit, Sure Tamp Water Pump Module (All items in FIG. 1)

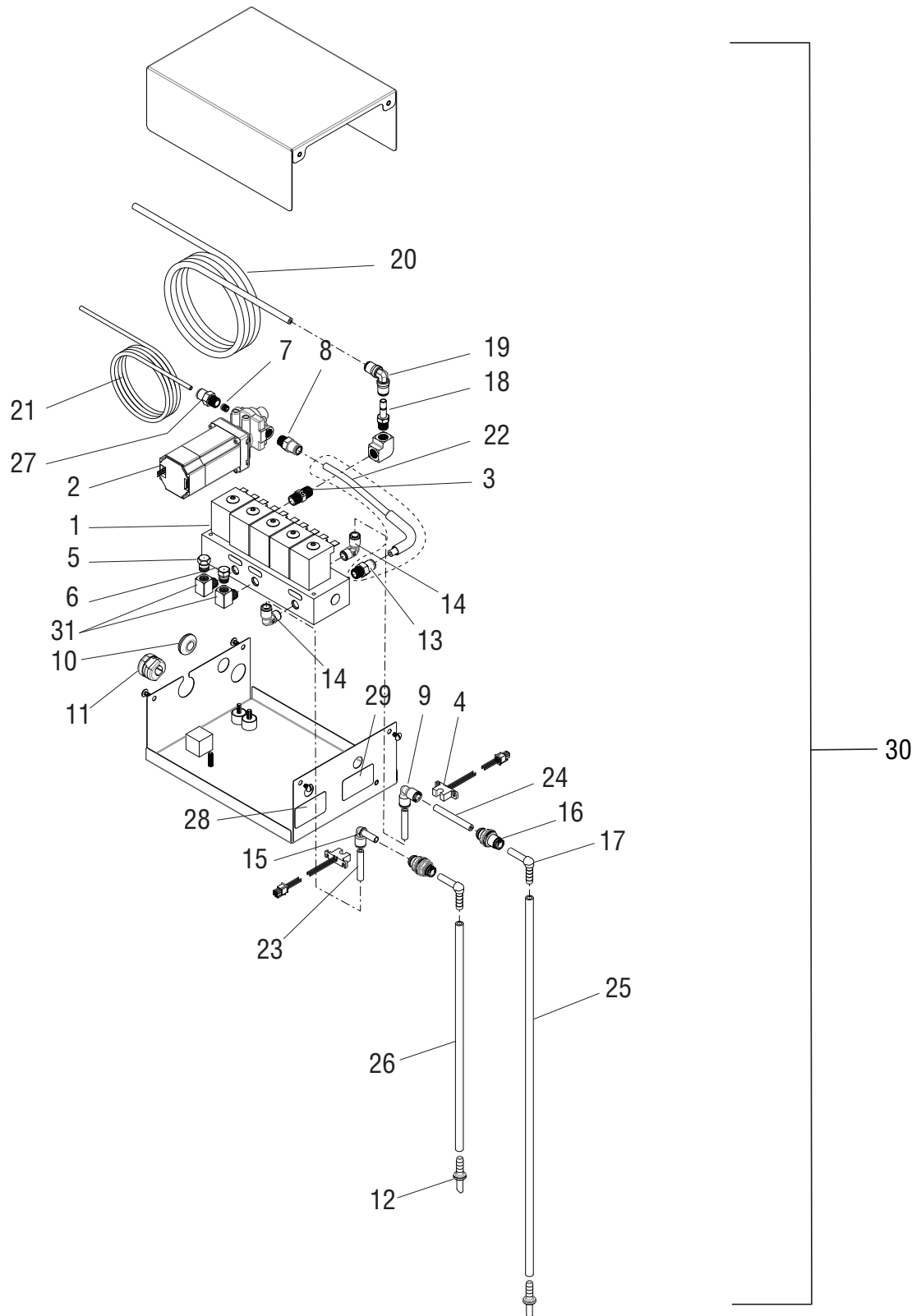
The Following Items Are Not Illustrated

21	54157.1000	1	Kit, Water Pump Retrofit
22	46581.1000	-	Tubing, 1 Foot
	46581.1001	-	Tubing, 3 Feet
	46581.1002	-	Tubing, 10 Feet
23	49533.1000	-	Tubing, 1 Foot
	49533.1001	-	Tubing, 3 Feet
	49533.1002	-	Tubing, 10 Feet



MILK MODULE - GEN 1

**Sure
Tamp**



MILK MODULE - GEN 1

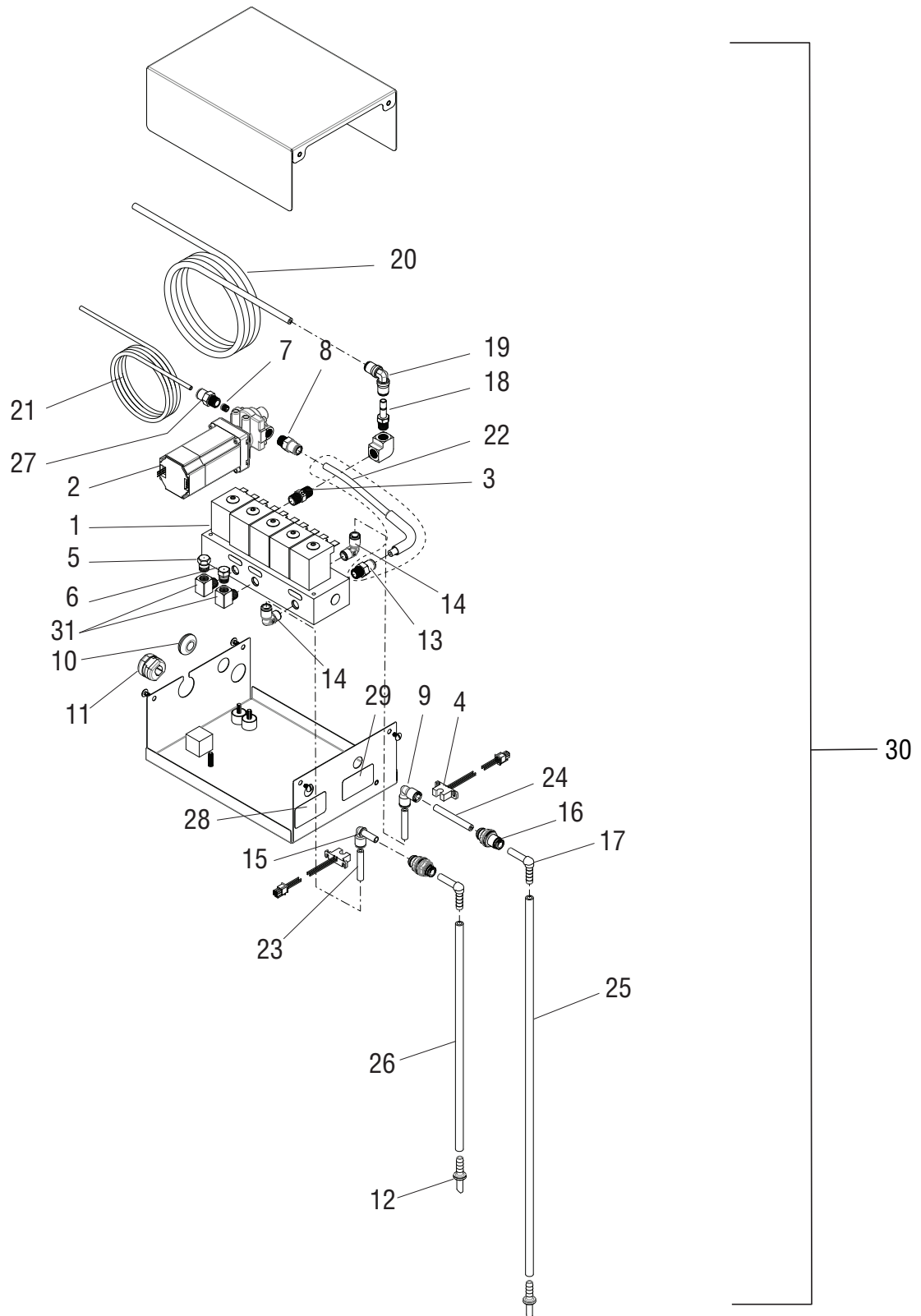
ITEM	PART NO.	QTY.	DESCRIPTION
1	56366.0000	1	Manifold, Milk
	56370.0000	3	Kit, Solenoid Repair (milk)
	56367.0000	2	Kit, Solenoid Repair (water & air draw)
2	46540.0001	1	Pump
3	48704.0000	1	Check Valve
4	49570.0000	2	Sensor
5	47068.0000	1	Orifice, Flow Control .01
6	47069.0000	1	Orifice, Flow Control .02
7	47067.0001	1	Orifice, Flow Control .038
8	46961.0000	1	Fitting
9	47633.0000	1	Elbow, Push to Connect
10	02536.0000	1	Grommet
11	28683.0000	1	Bushing, Strain Relief
12	52350.0001	2	Fitting
13	46961.1001	1	Kit, Retrofit
14	46062.0000	2	Elbow, Push to Connect
15	46059.0000	1	Elbow, Push to Connect
16	47756.0000	2	Union, Bulkhead
17	50040.0000	2	Elbow, Push to Connect
18	50175.0000	1	Fitting
19	50069.0000	1	Elbow, Push to Connect
20		1	Tubing, 66.0" (Order # 38)
21		1	Tubing, 64.5" (Order # 39)
22		1	Tubing, 7.0" (Order # 38)
23		2	Tubing, 1.375" (Order # 38)
24		1	Tubing, 2.0" (Order # 38)
25		1	Tubing, 21.0" (Order # 33)
26		1	Tubing, 15.0" (Order # 33)

CONTINUED



MILK MODULE - GEN 1

**Sure
Tamp**



MILK MODULE - GEN 1

ITEM	PART NO.	QTY.	DESCRIPTION
27	50098.0002	1	Fitting (with item 7 orifice)
28	48782.0000	1	Decal, Milk 1
29	48782.0001	1	Decal, Milk 2
30	49708.1000	1	Kit, Sure Tamp Milk Module (Includes all illustrated items)
31	48271.0000	2	Fitting, Elbow

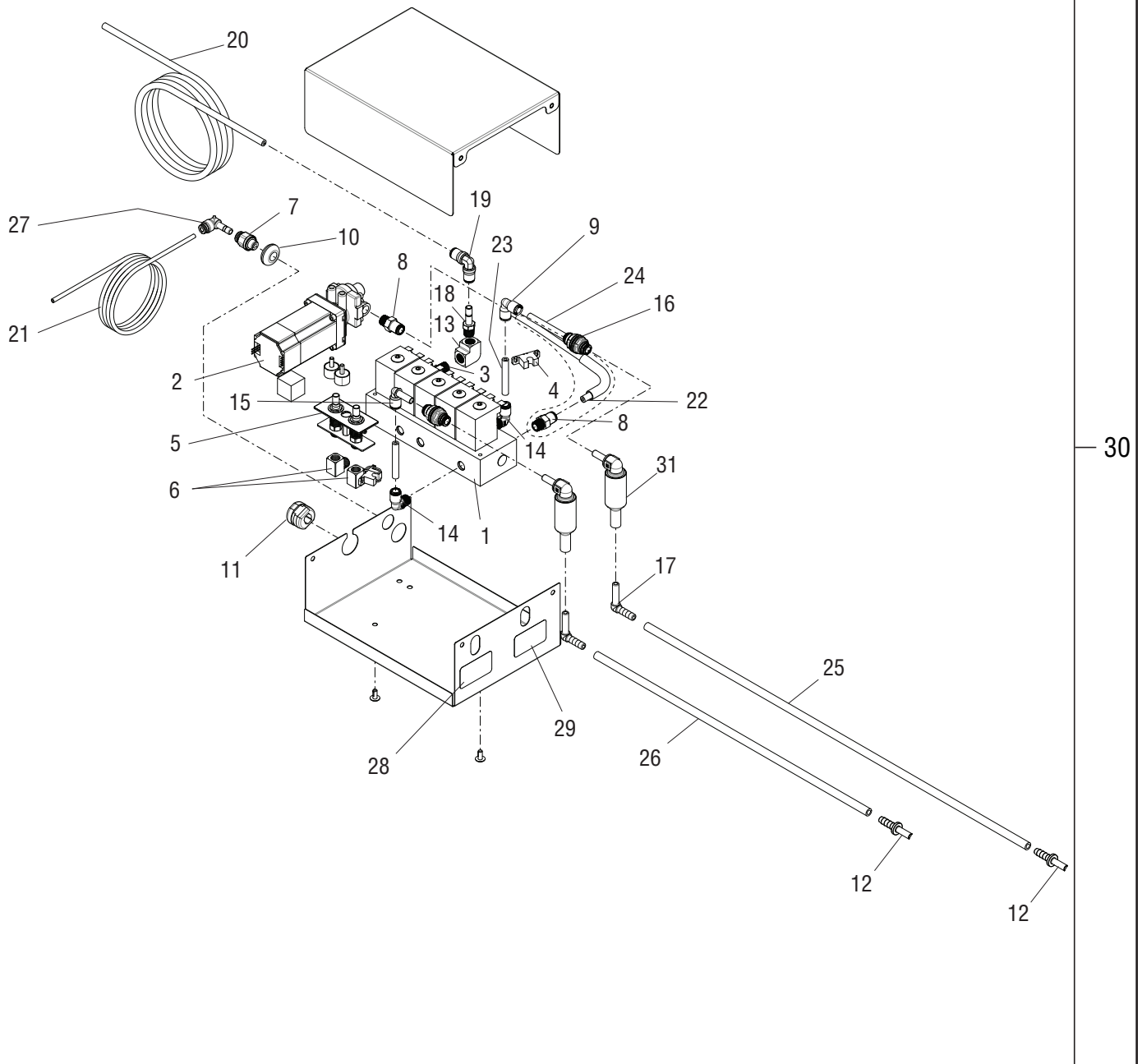
The Following Items Are Not Illustrated

33	41113.1001	-	Tubing, 3 Feet
	41113.1002	-	Tubing, 10 Feet
34	47180.0004	1	Wiring Harness, to Refrigerator
35	47666.0001	1	Wiring Harness, Milk Pump, 1 Step
36	49241.0001	1	Wiring Harness, Milk 1-Step
37	51495.0000	1	Kit, Milk Line Replacement (Includes 12, 17, 25 & 26)
38	46556.1000	-	Tubing, 1 Foot
	46556.1001	-	Tubing, 3 Foot
	46556.1002	-	Tubing, 10 Foot
39	47021.1000	-	Tubing, 1 Foot
	47021.1001	-	Tubing, 3 Feet
	47021.1000	-	Tubing, 10 Feet



MILK MODULE - GEN 2

**Sure
Tamp**



MILK MODULE - GEN 2

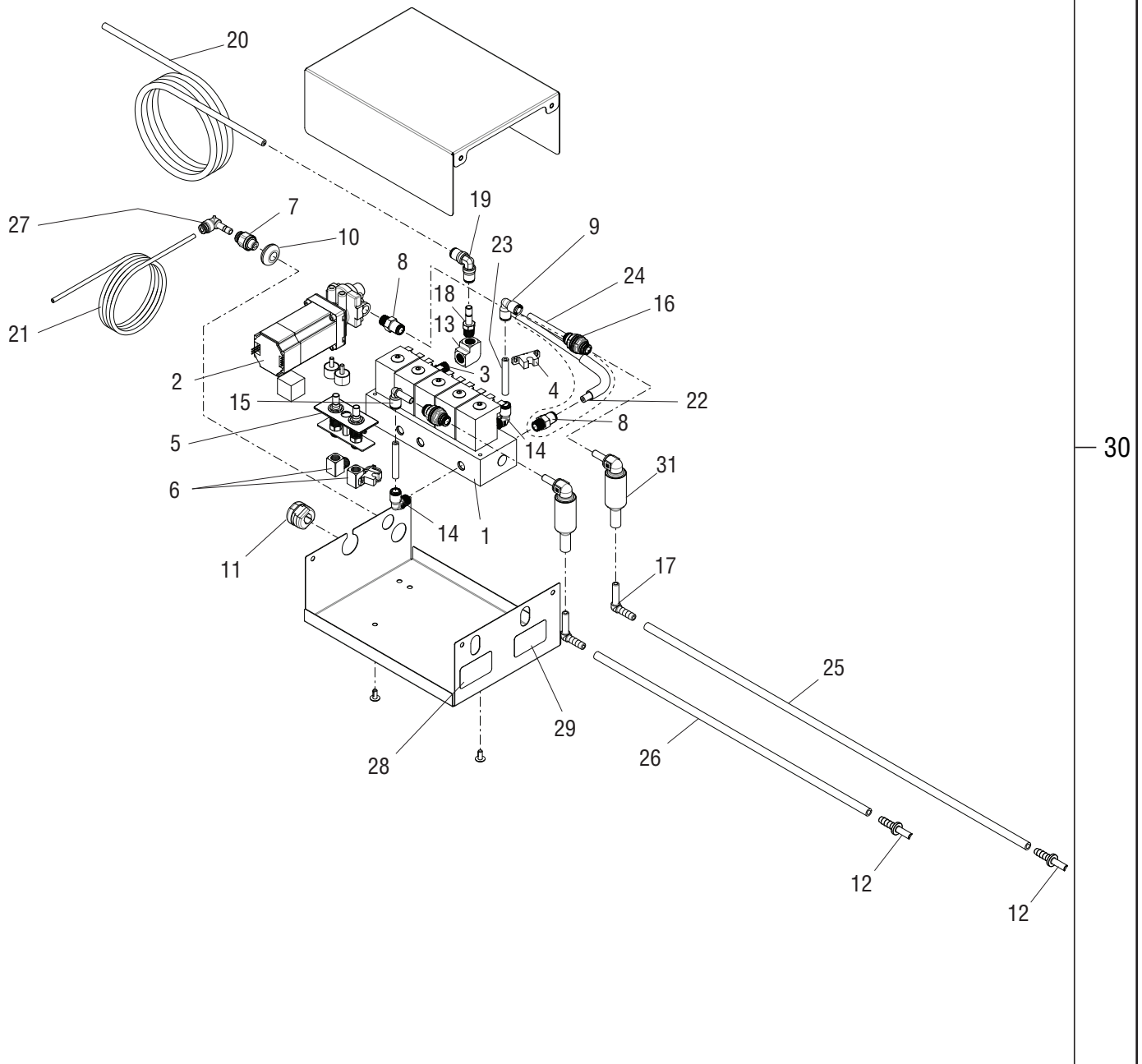
ITEM	PART NO.	QTY.	DESCRIPTION
1	56366.0000	1	Manifold, Milk
	56370.0000	3	Kit, Solenoid Repair (milk)
	56367.0000	2	Kit, Solenoid Repair (water & air draw)
2	46540.0001	1	Pump
3	48704.0000	1	Check Valve
4	49570.0000	2	Sensor
5	53587.1000	1	Valve Assembly, Air Control
6	48271.0000	2	Fitting, Elbow
7	54002.0000	1	Fitting
8	46961.1001	1	Kit, Retrofit
9	47633.0000	1	Elbow, Push to Connect
10	02536.0000	1	Grommet
11	28683.0000	1	Bushing, Strain Relief
12	52350.0001	2	Fitting
13	48407.0000	1	Elbow
14	46062.0000	2	Elbow, Push to Connect
15	46059.0000	1	Elbow, Push to Connect
16	47756.0000	2	Union, Bulkhead
17	50040.0000	2	Elbow, Push to Connect
18	50175.0000	1	Fitting
19	50069.0000	1	Elbow, Push to Connect
20		1	Tubing, 66.0" (Order # 36)
21		1	Tubing, 64.5" (Order # 37)
22		1	Tubing, 7.0" (Order # 36)
23		2	Tubing, 1.375" (Order # 36)
24		1	Tubing, 2.0" (Order # 36)
25		1	Tubing, 21.0" (Order # 32)
26		1	Tubing, 15.0" (Order # 32)

CONTINUED



MILK MODULE - GEN 2

**Sure
Tamp**

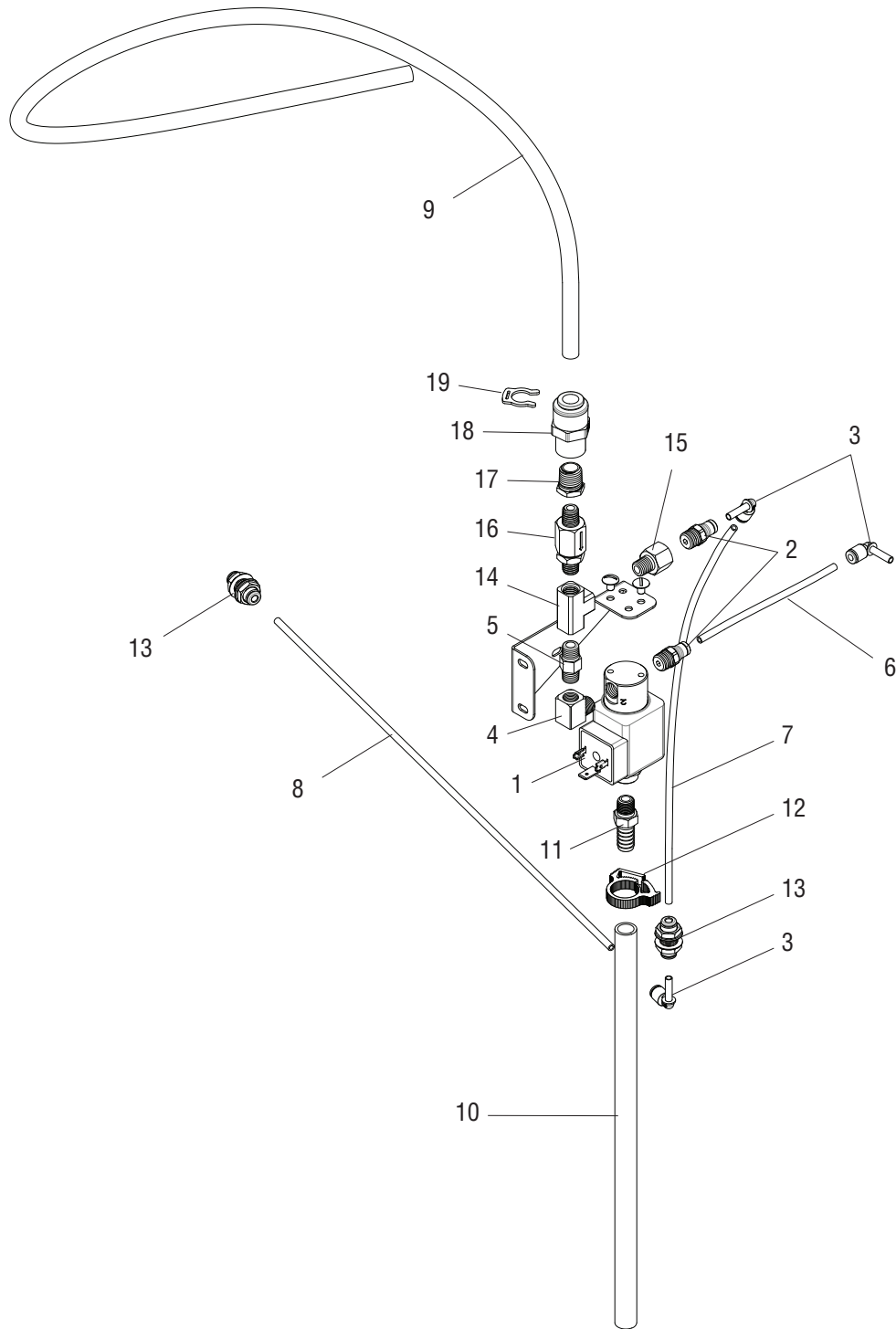


MILK MODULE - GEN 2

ITEM	PART NO.	QTY.	DESCRIPTION
27	54044.000	1	Fitting
28	48782.0000	1	Decal, Milk 1
29	48782.0001	1	Decal, Milk 2
30	49708.1001	1	Kit, Sure Tamp Milk Module (Includes all illustrated items)
31	54370.0000 54605.0000	2 -	Strainer, Milk Module Kit, Milk Strainer (Includes qty 2 of item 31)

The Following Items Are Not Illustrated

32	41113.1001	-	Tubing, 3 Feet
	41113.1002	-	Tubing, 10 Feet
33	47180.0004	1	Wiring Harness, to Refrigerator
34	47666.0001	1	Wiring Harness, Milk Pump, 1 Step
35	51495.0000	1	Kit, Milk Line Replacement (Includes 12, 17, 25 & 26)
36	46556.1000	-	Tubing, 1 Foot
	46556.1001	-	Tubing, 3 Foot
	46556.1002	-	Tubing, 10 Foot
37	47021.1000	-	Tubing, 1 Foot
	47021.1001	-	Tubing, 3 Feet
	47021.1000	-	Tubing, 10 Feet



MILK DISPENSE (AUTO) - GEN 2

ITEM	PART NO.	QTY.	DESCRIPTION
1	56372.0000	1	Solenoid, 3-Way 24VDC (Turn coil direction as needed)
	01311.0001	2	Screw, TRH SLTD SST 8-32 x .25"
	42278.1050	-	Repair Kit (plunger & seal)
	56373.0000	-	Repair Kit (plunger, seals, o-rings, spring, sleeve)
2	46578.0000	2	Fitting
3	53420.0000	3	Elbow
4	48271.0000	1	Fitting, Elbow
5	00412.0001	1	Nipple
6		1	Tubing, 4.25" (Order # 21)
7		1	Tubing 11.5" (Order # 21)
8		1	Tubing 15" (Order # 21)
9		1	Tubing, 35.5" (Order # 22)
10		1	Tubing, .375" x 11.0" (Order # 20)
11	43122.0002	1	Fitting
12	12422.0000	1	Clamp, SNP-6
13	47192.0000	2	Coupling
14	24599.0001	1	Tee
15	53632.0000	1	Fitting
16	40071.0004	1	Check Valve
17	48435.0000	1	Fitting, Bushing
18	48434.0000	1	Fitting
19	34507.0000	1	Clip

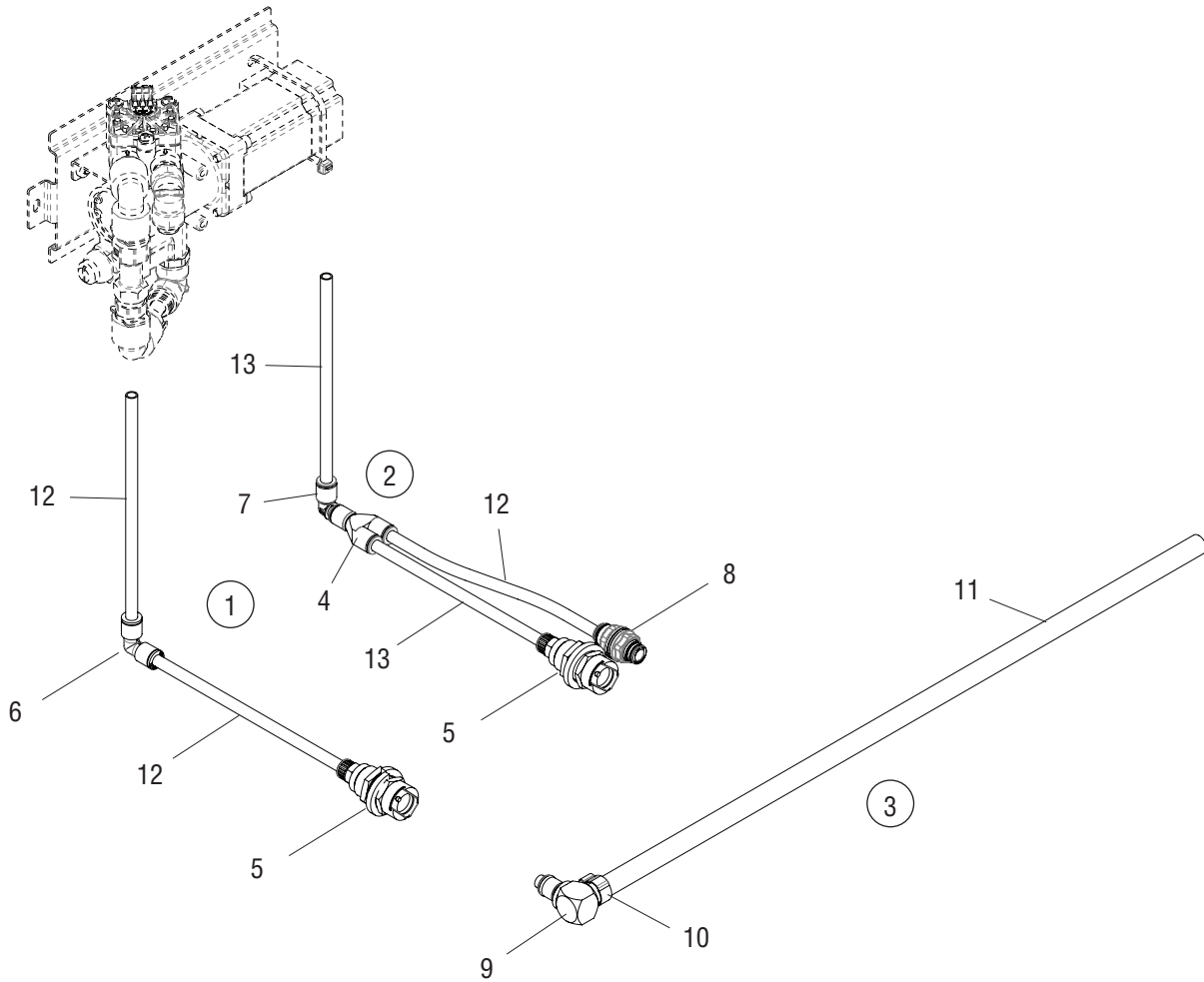
The Following Items Are Not Illustrated

20	41193.1000	-	Tubing, 120"
	41193.1001	-	Tubing, 36"
	41193.1002	-	Tubing, 12"
	41193.1004	-	Tubing, 250'
21	47021.1000	-	Tubing, 12"
	47021.1001	-	Tubing, 36"
	47021.1002	-	Tubing, 120"
22	48080.1000	-	Tubing, 12"
	48080.1001	-	Tubing, 36"
	48080.1002	-	Tubing, 120"



INLET WATER LINES

**Sure
Tamp**



INLET WATER LINES

ITEM	PART NO.	QTY.	DESCRIPTION
①	48383.1001	1	Tube Assembly (Steam Models Only)
②	48383.1002	1	Tube Assembly (Auto Models Only)
③	48436.1000	1	Tube Assembly (All Models)
4	49955.0000	1	Fitting
5	49204.0000	1	Coupling
6	47633.0000	1	Elbow
7	46059.0000	1	Elbow
8	47756.0000	1	Union, Bulkhead
9	46952.0001	1	Elbow, Quick Connect
10	21275.0006	1	Clamp
11		1	Flex Hose, Braided 60" (Order # 15)
12		1	Tubing 6" (Order # 14)
13		1	Tubing, 5.5" (Order # 14)

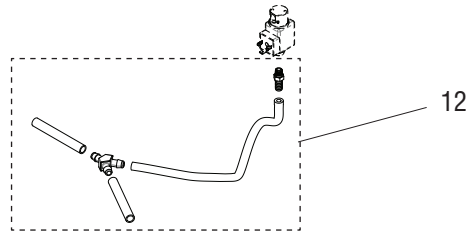
The Following Items Are Not Illustrated

14	46581.1000	-	Tubing, 1 Foot
	46581.1001	-	Tubing, 3 Feet
	46581.1002	-	Tubing, 10 Feet
15	46048.1000	-	Tubing, 1 Foot
	46048.1001	-	Tubing, 3 Feet
	46048.1002	-	Tubing, 10 Feet



DRAIN ASSEMBLIES

**Sure
Tamp**



LATER STYLE

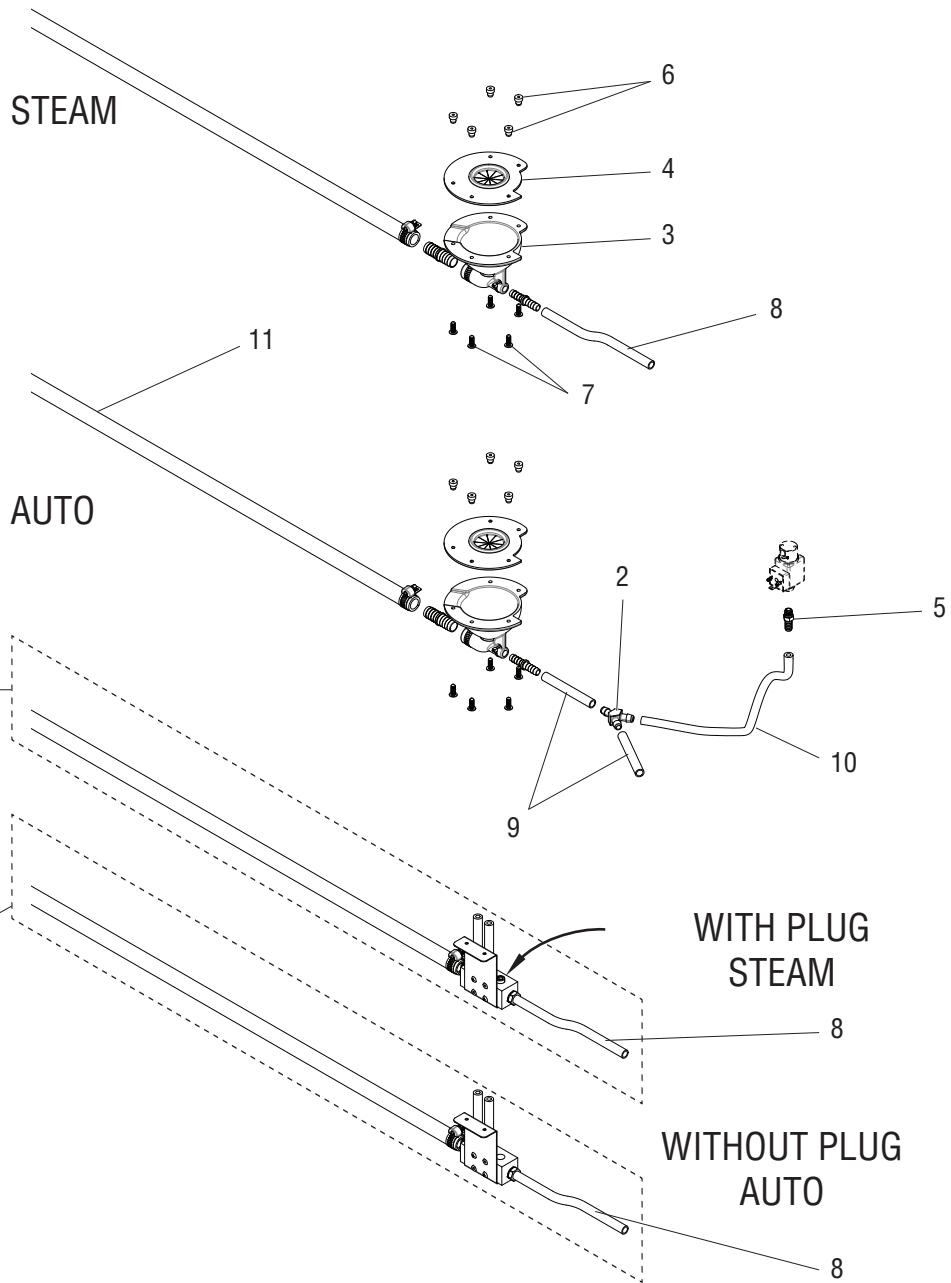
STEAM

AUTO

EARLY STYLE

13

14



DRAIN ASSEMBLIES

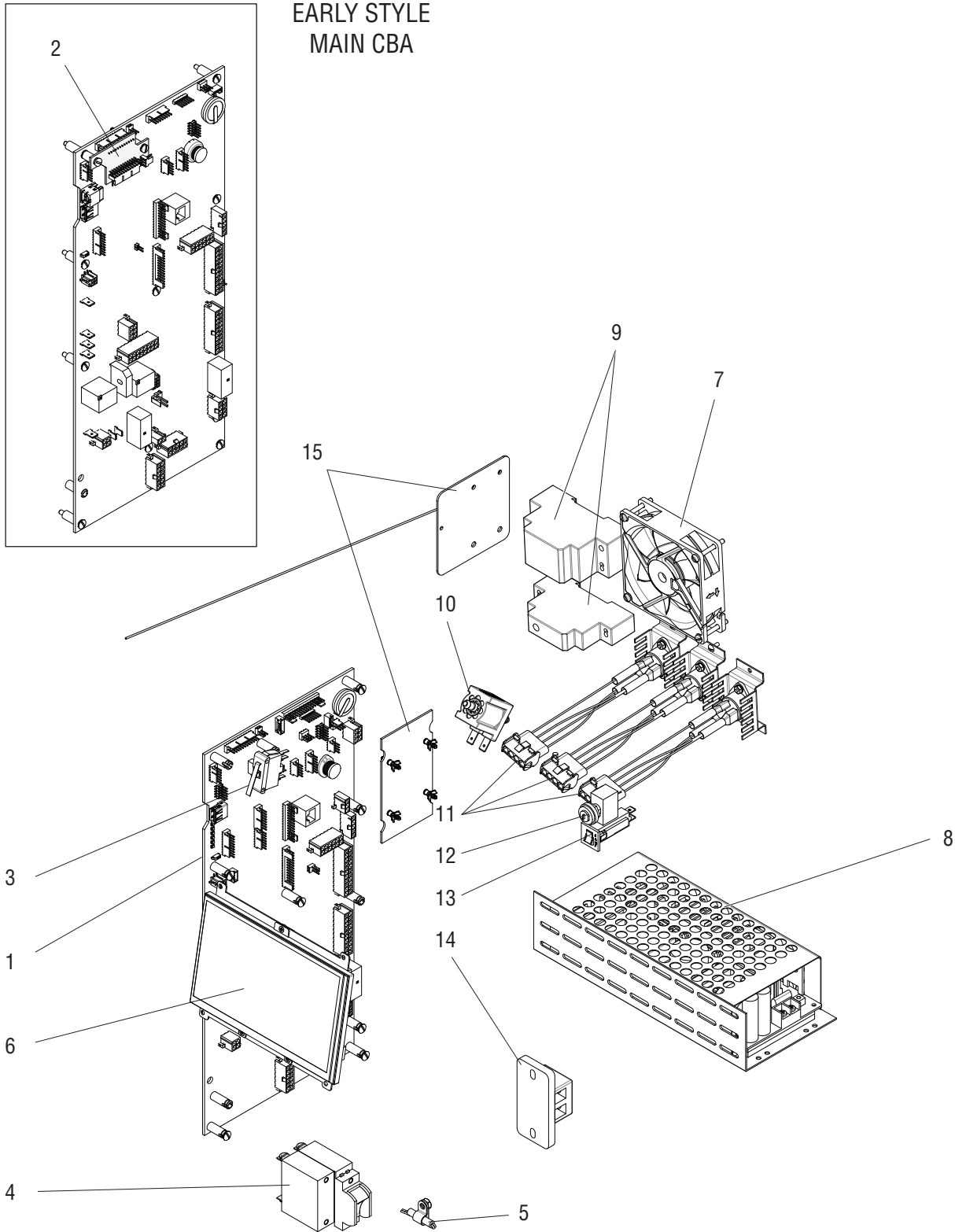
ITEM	PART NO.	QTY.	DESCRIPTION
1	47540.1000	1	Drain Hose Assembly w/Inner Spring 72"
2	38023.0001	1	"Y" Fitting
3	52364.0004	1	Cup, Drain
4	52606.0001	1	Grommet
5	43122.0002	1	Fitting
6	03989.0000	5	Grommet
7	52903.0000	5	Rivet
8		1	Tubing, .375" ID x 8.0" (Order # 15)
9		1	Tubing .375" ID x 3.75" (Order # 15)
10		1	Tubing, .375" ID x 11.0" (Order # 15)
11	47540.1000	1	Tubing, w/internal spring (Precut to 72")
12	54671.0000	1	Kit, Drain Assembly Update (Upgrades 2nd style Auto from Tee fitting to "Y" fitting)
13	47530.1000	1	Kit, Drain Manifold Assembly, Steam
14	47530.1001	1	Kit, Drain Manifold Assembly, Auto

The Following Items Are Not Illustrated

15	41193.1000	-	Tubing, 120"
	41193.1001	-	Tubing, 36"
	41193.1002	-	Tubing, 12"
	41193.1004	-	Tubing, 250'



EARLY STYLE
MAIN CBA



ELECTRICAL

ITEM	PART NO.	QTY.	DESCRIPTION
1	50123.1000	1	CBA, Main (Later Style with built in milk board)
	43913.1001	1	CBA, Main (NO LONGER AVAILABLE, ORDER LATER STYLE)
	38123.0000	12	Screw, Phillips 6-32 x 1.0"
2	50009.1002	1	CBA, Adjustable Milk Sensor w/Harness (NO LONGER AVAILABLE, ORDER # 1)
3	46534.0001	1	Switch (Door)
4	38894.0003	1	Switch, Main
5	36390.0001	1	Switch, Reed
6	48242.0000	1	Kit, Touch Screen
7	47527.0000	1	Fan Assembly
8	46536.0002	1	Power Supply, Main 24VDC
	57066.1000	1	Cooling Fan Kit
	46536.1002	1	Cooling Fan Kit w/Power Supply
9	48384.0000	1	Power Supply, 5VDC (Includes 47163.0002 Harness)
10	46633.0000	1	Valve, Vent 24VDC
11	48578.1000	3	Kit, Triac (Includes 48578.0000 harness)
12	20987.0000	1	Circuit Breaker, 3 AMP
13	27181.0000	1	Circuit Breaker, 5 AMP
14	01106.0001	1	Terminal Block
15	50832.0000	1	Kit, Bunn Link (Includes antenna & 48781.0000 harness) CDMA (USA Only)
	50832.0001	1	Kit, Bunn Link Cellular SPRO GSM (INT'L) (Includes antenna & 48781.0000 harness)
	50832.0002	1	KIT, BunnLink LTE Cellular SURE TAMP (INT'L) (Includes antenna & 48781.0000 harness)
	48694.1000	1	Kit, BunnLink CBA (CDMA) (USA Only)
	48694.1002	1	Kit, BunnLink CBA (GSM) (International)
	48695.1000	1	Kit, BunnLink Antenna

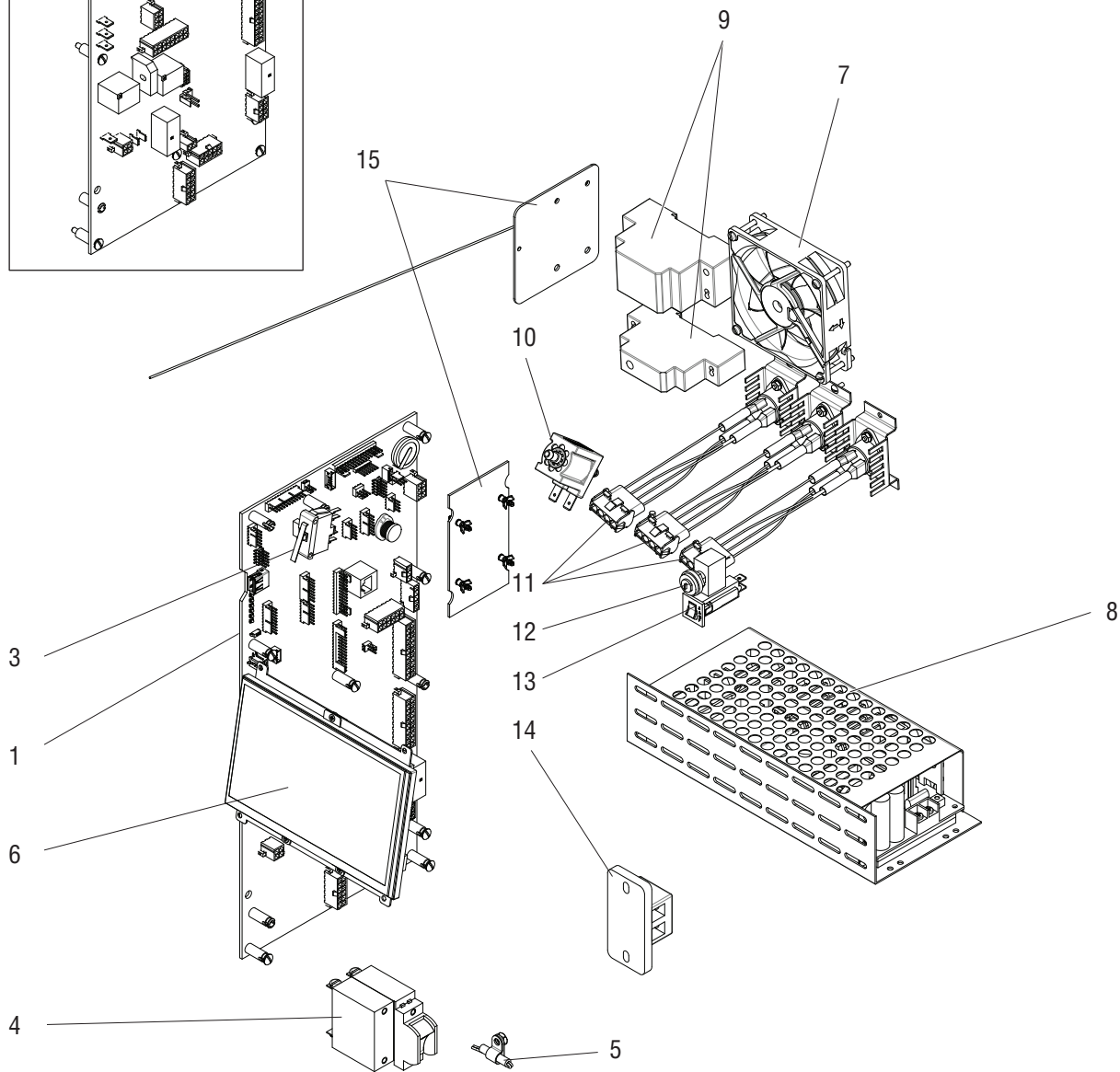
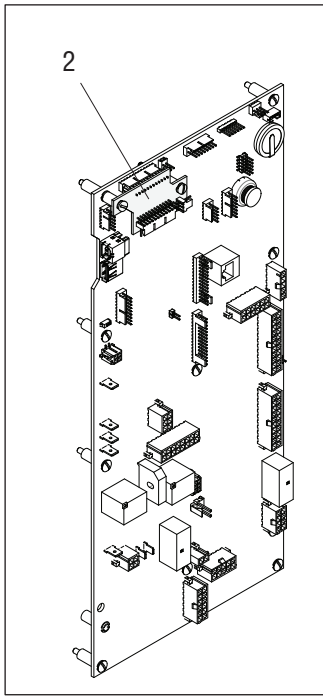
The Following Items Are Not Illustrated

16	47161.0000	1	Wiring Harness, Terminal Block to Main Switch
17	47162.0001	1	Wiring Harness, 24V P.S. to Main CBA J9
18	47163.0002	1	Wiring Harness, 5V P.S.
19	47164.0001	1	Wiring Harness, Brew Chamber to Main CBA J12
20	47165.0000	1	Wiring Harness, Brew Chamber Assembly

CONTINUED



EARLY STYLE
MAIN CBA



ELECTRICAL - GEN 1

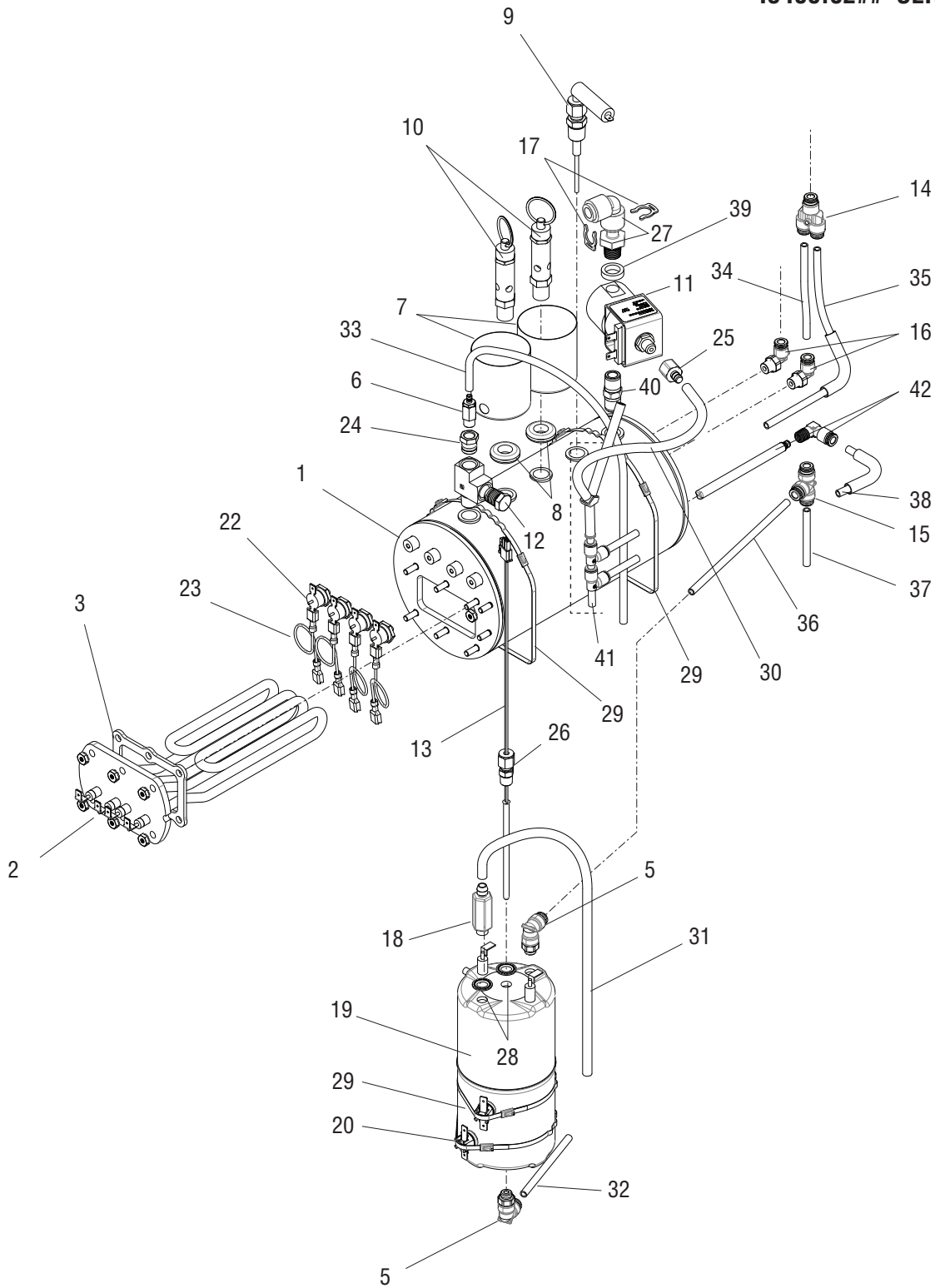
ITEM	PART NO.	QTY.	DESCRIPTION
21	47167.0000	1	Wiring Harness, Hydraulic Assembly to Main CBA J5
22	47169.0002 47169.0003	1	Wiring Harness, Triacs/Heater to Main CBA (43913-1001 CBA) Wiring Harness, Triacs/Heater to Main CBA (50123-1000 CBA)
23	47170.0001	1	Wiring Harness, Water Pump/Flow Meter to Main CBA
24	47171.0000	1	Wiring Harness, Heater Assembly
25	47172.0001	1	Wiring Harness, Grinder to Main CBA
26	49010.0000	1	Wiring Harness, Steam Wand to Main CBA
27	47366.0000	1	Wiring Harness, Brew Vent to Main CBA
28	48578.1000	3	Wiring Harness, Triac Assembly
29	48781.0000	1	Wiring Harness, Bunn Link to Main CBA
30	50211.0000	1	Power Cord
31	50498.0000	1	Wiring Harness, Chassis to Display
32	50502.0000	1	Wiring Harness, Hydraulic Assembly (43400.01## Models)
33	47178.0001	1	Wiring Harness, Valve 1 Step



BOILER SECTION - GEN 2

Sure Tamp

43400.02## SERIES



BOILER SECTION - GEN 2

ITEM	PART NO.	QTY.	DESCRIPTION
1	43960.1002	1	Kit, Boiler Tank (Includes nuts, gasket & ties)
2	46249.1001 49133.0000	1 10	Kit, Heater Assembly 3000W 208VAC w/Gasket Nut, Keps #10-32 SST
3	55461.0000	1	Gasket, Boiler Heater
4	46531.0000	1	Switch, Pressure
5	53414.0000	2	Elbow
6	50761.0004	1	Valve, Vacuum Breaker
7	46069.0003	2	Cup, Overflow
8	46552.0001	2	Grommet
9	46033.1000	1	Liquid Level Probe
10	46008.0000	2	Safety Valve
11	56785.0000 56806.0000	1 1	Solenoid, 24VDC 3-Way (Steam) Repair Kit (plunger & seal)
12	48745.0000	1	Plug
13	12568.1016	1	Temperature Probe
14	53416.0000	4	Fitting, Y
15	53411.0000	1	Fitting, Tee
16	54467.0000	3	Fitting, Elbow
17	34507.0000	2	Clip
18	53546.0000	1	Safety Valve
19	46005.1101	1	Kit, Coffee Boiler
20	48803.0000	2	Kit, Limit Thermostat, Auto Reset (with band)
21	21016.0316 21016.0317	1 1	Lead, Blue 9" Lead, Red 8"
22	46532.1000	4	Kit, Limit Thermostat, Manual Reset (w/Leads)
23	21003.0419 21005.0990 21005.0991	2 1 1	Lead 18AWG Red 3.0" Lead 18AWG Brn/Blk 3.0" Lead 18AWG Brn/Whi 3.0"
24	50762.0000	1	Fitting, Reducer

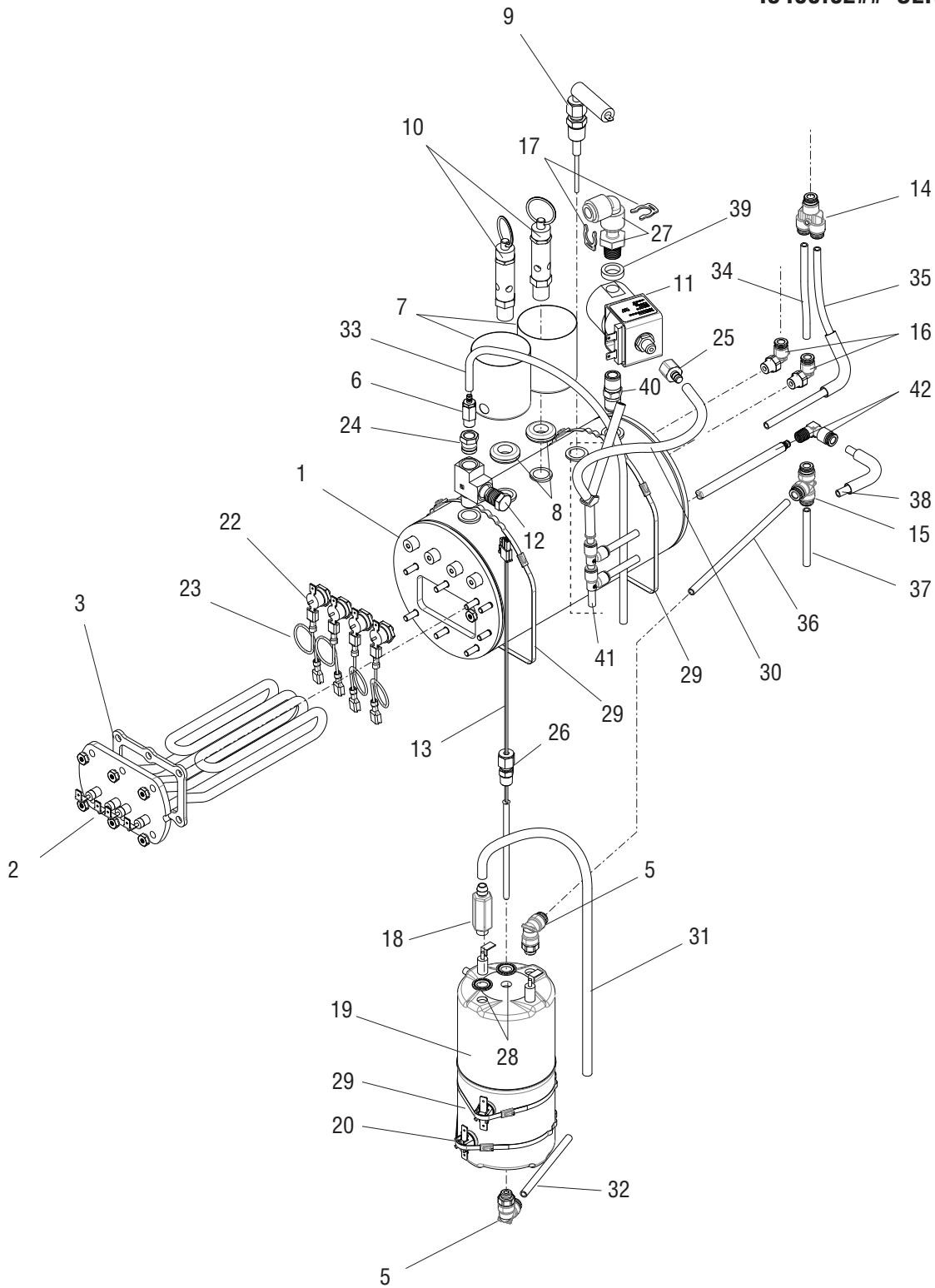
CONTINUED



BOILER SECTION - GEN 2

Sure Tamp

43400.02## SERIES



BOILER SECTION - GEN 2

ITEM	PART NO.	QTY.	DESCRIPTION
25	00469.0001	1	Connector
26	51740.0000	1	Fitting (temp probe)
27	53193.0000	1	Elbow and Stem Assembly
28	50552.0000	2	Washer, Pressure Sealing
29	37061.0000	4	Tie (Band)
30		1	Tubing, 9" (Order # 43)
31		1	Tubing, 15" (Order # 43)
32		1	Tubing, 3.625" (Order # 44)
33		1	Tubing, 18" (Order # 42)
34		1	Tubing, 3" (Order # 44)
35		1	Tubing, 8.5" (Order # 44)
36		1	Tubing, 6.125" (Order # 45)
37		1	Tubing, 2.25" (Order # 45)
38		1	Tubing, 4.375" (Order # 45)
39	03099.0000	1	Gasket
40	46573.0000	1	Nipple, Hex
41	55402.1000	1	Kit, Brew/Bypass Drain (Includes 5 tubes & 4 fittings)
42	55966.1000	1	Kit, Strainer w/Elbow

The Following Items Are Not Illustrated

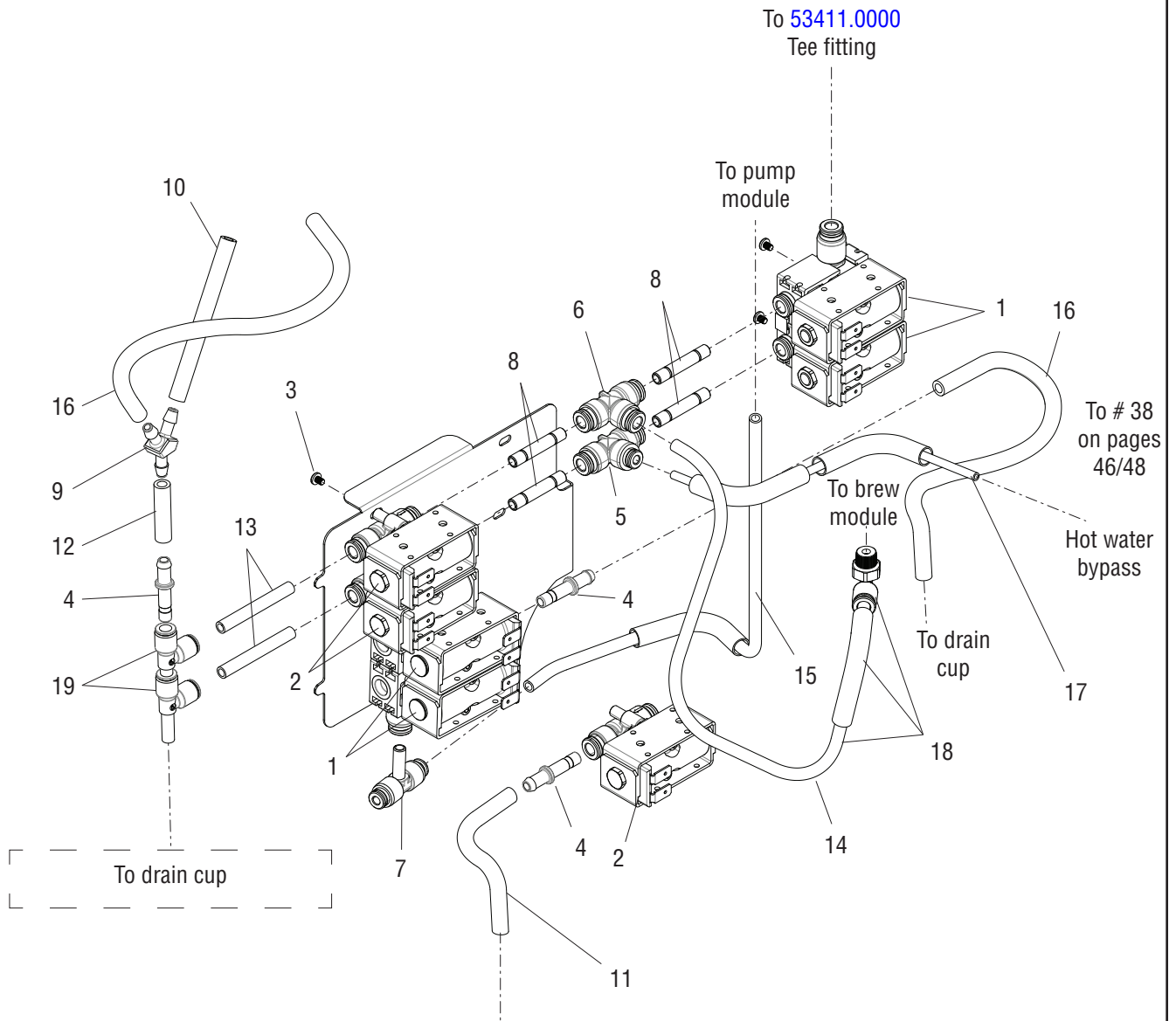
43	36630.1000	-	Tubing, 12"
	36630.1001	-	Tubing, 36"
	36630.1002	-	Tubing, 120"
44	41113.1000	-	Tubing, 9"
	41113.1001	-	Tubing, 36"
	41113.1002	-	Tubing, 120"
45	50734.1000	-	Tubing, 12"
	50734.1001	-	Tubing, 36"
	50734.1002	-	Tubing, 120"
46	47167.0001	1	Wiring Harness, Hydraulic Assembly to Main CBA J5
47	50502.0002	1	Wiring Harness, Hydraulic Assembly
48	46738.1004	1	Kit, Boiler Assembly



BOILER SECTION - SOLENOID VALVES

Sure Tamp

43400.02## SERIES



BOILER SECTION - SOLENOID VALVES

ITEM	PART NO.	QTY.	DESCRIPTION
1	53405.0000	2	Solenoid Valve, 24V 2-Way Battery
	52004.0000	1	Rebuild Kit
2	53406.0000	3	Solenoid Valve, 24V 2-Way 1.5 mm Orifice
	52004.0000	1	Rebuild Kit
3	24003.0201	8	Screw, Pan Head M3 x 4 ZP
4	53408.0001	3	Fitting, Tube 6mm to Barb
5	53407.0000	1	Fitting, Tee
6	53411.0000	1	Fitting, Tee
7	53410.0000	1	Connector, T-Stem
8	53409.0000	4	Fitting, Union
9	37290.0002	1	Fitting, Y
10		1	Tubing, 3.0" (Order # 20)
11		1	Tubing, 4.5" (Order # 20)
12		1	Tubing, 1.25" (Order # 20)
13		1	Tubing, 14.25" (Order # 21)
14		1	Tubing, 12.0" (Order # 21)
15		1	Tubing, 14.25" (Order # 21)
16		2	Tubing, 9.0" (Order # 20)
17		1	Tubing, 20.0" (Order # 22)
18	54668.0000	1	Kit, Brew Line
19	55402.0000	1	Tee

The Following Items Are Not Illustrated

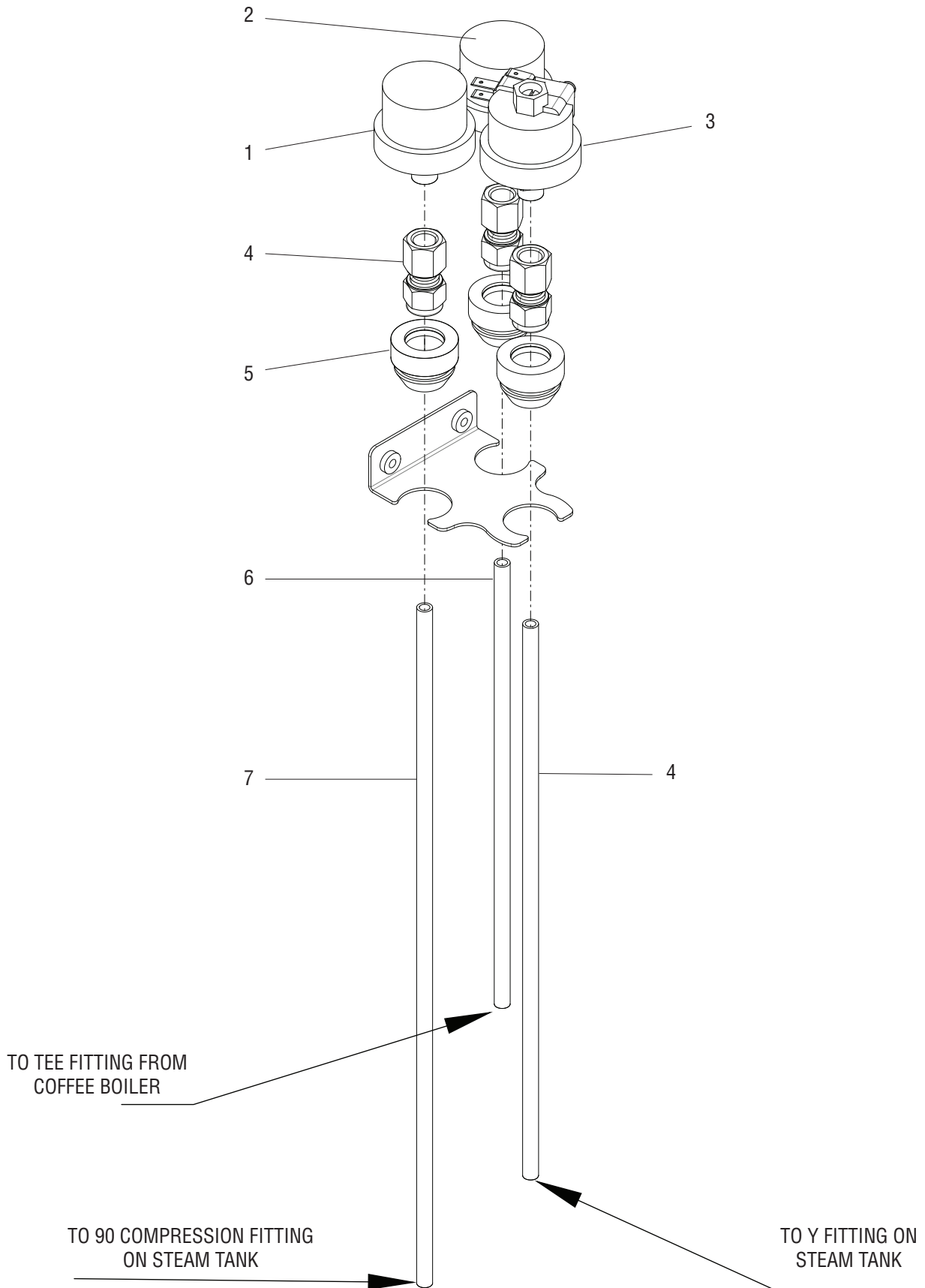
20	41113.1000	-	Tubing, 9"
	41113.1001	-	Tubing, 36"
	41113.1002	-	Tubing, 120"
21	50734.1000	-	Tubing, 12"
	50734.1001	-	Tubing, 36"
	50734.1002	-	Tubing, 120"
22	47021.1000	-	Tubing, 12"
	47021.1001	-	Tubing, 36"
	47021.1002	-	Tubing, 120"



TRANSDUCER ASSEMBLY

**Sure
Tamp**

43400.02## SERIES



TRANSDUCER ASSEMBLY

ITEM	PART NO.	QTY.	DESCRIPTION
1	46104.1000	1	Kit, Transducer 0-3 Bar
2	46103.1000	1	Kit, Transducer 0-10 Bar
3	46531.0000	1	Switch, Pressure
4	52880.0001	3	Fitting
5	37970.0000	3	Grommet
6		1	Tubing, 8.5" (Order # 9)
7		1	Tubing, 12.5" (Order # 9)
8		1	Tubing, 10.0" (Order # 9)

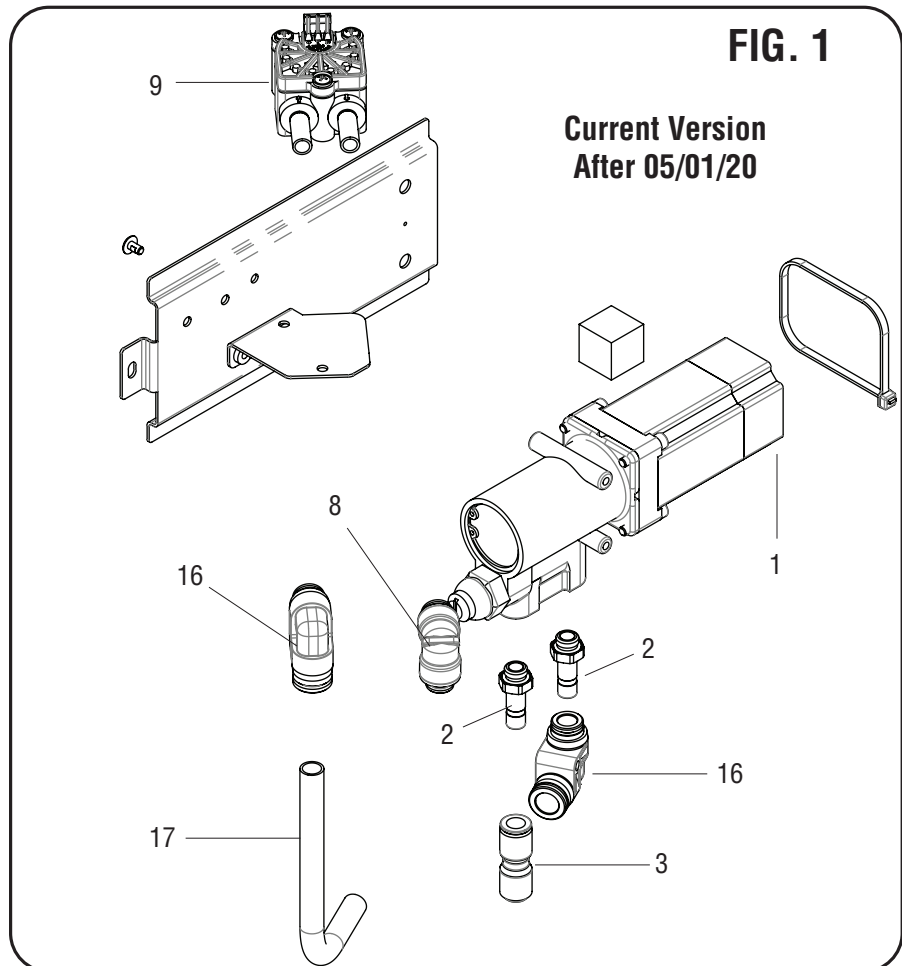
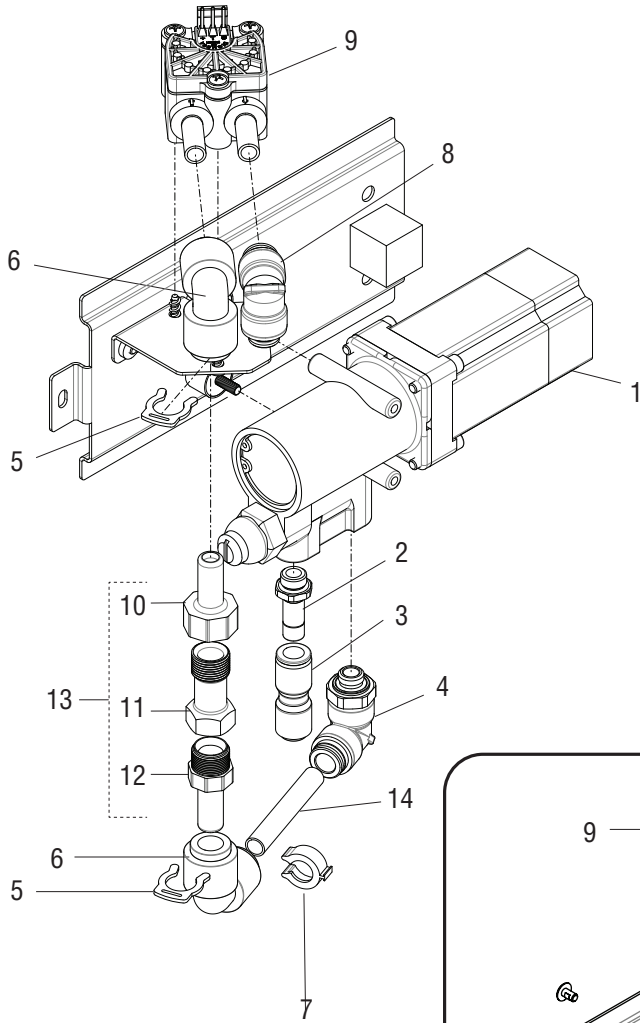
The Following Items Are Not Illustrated

9	50734.1000	-	Tubing, 12"
	50734.1001	-	Tubing, 36"
	50734.1002	-	Tubing, 120"
10	54487.0000	1	Wiring Harness, Transducer



43400.02## SERIES

Item #18 - Kit, Check Valve Upgrade
Replaces items 4,5,6,7,10,11,12,13 & 14



WATER PUMP MODULE

ITEM	PART NO.	QTY.	DESCRIPTION
1	48244.0000	1	Kit, Water Pump w/cable tie
2	55544.0000	2	Adapter, Straight Stem
3	50044.0000	1	Fitting, Push to Connect 5/16"
4	53421.0000	1	Fitting (Order #18)
5	34507.0000	2	Clip (Order #18)
6	54152.0000	2	Fitting (Order #18)
7	54154.0000	1	Safety Clip (Order #18)
8	55541.0000	1	Elbow Fitting, 90° Connector 6/8MM
9	40752.0004	1	Flow Meter
10	49841.0000	1	Adaptor (Order #18)
11	49835.0002	1	Adaptor (Order #18)
12	49842.0000	1	Adaptor (Order #18)
13		1	Kit, Supply Line Adaptor (Order #18)
14	49533.0000	1	Tubing, 2.0" (Order #18)
16	56499.0000	2	Fitting, Elbow 8MM to 10MM
17	56504.0000	1	Formed Tube Aassembly with Check Valve & Flow Regulator
18	57377.0000	1	Kit, Check Valve Upgrade (Includes 2,16,17)
19	46722.1004		Kit, Sure Tamp Water Pump Module (All items in FIG. 1)

The Following Items Are Not Illustrated

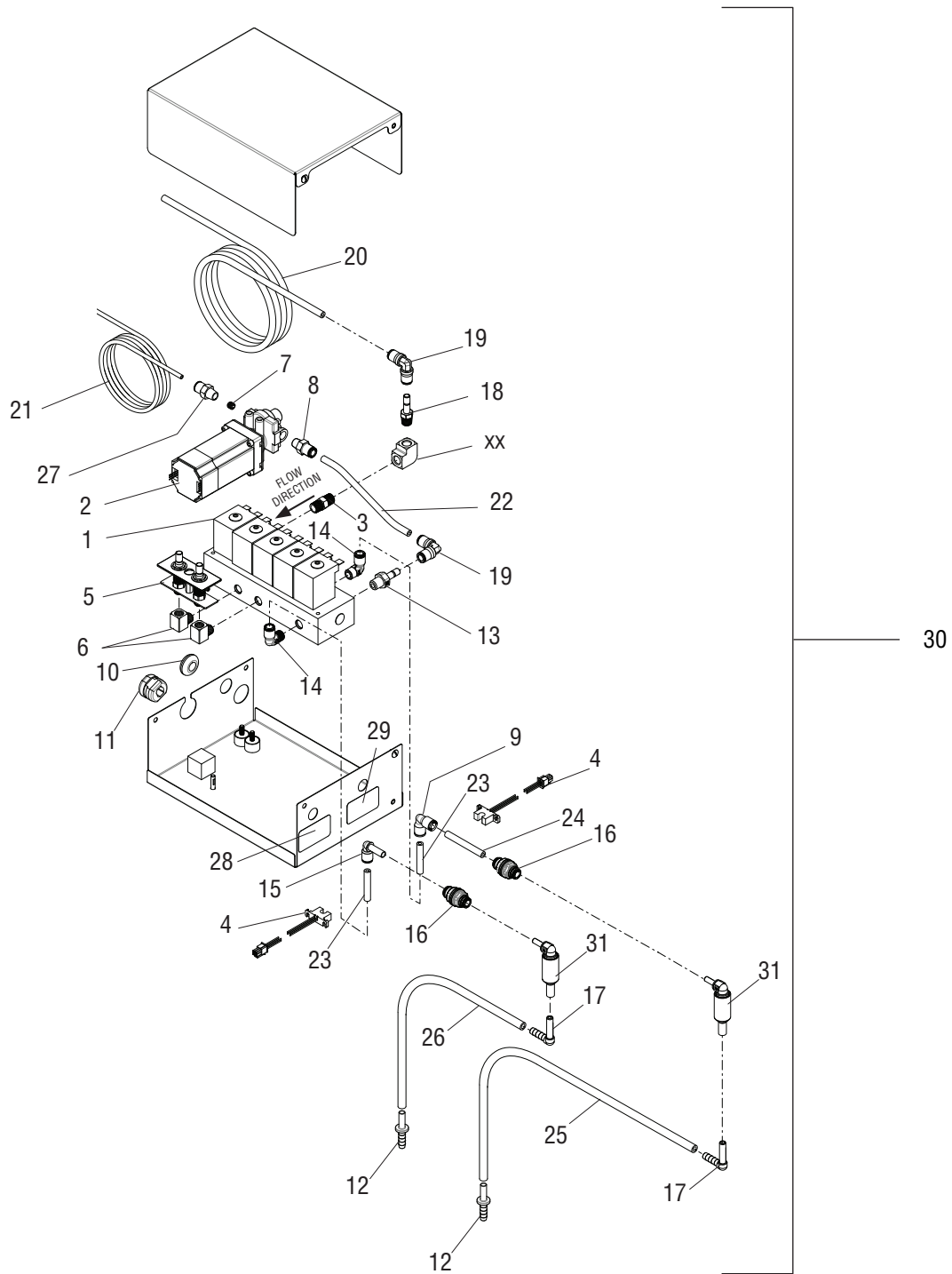
20	49533.1000	-	Tubing, 1 Foot
	49533.1001	-	Tubing, 3 Feet
	49533.1002	-	Tubing, 10 Feet



MILK MODULE

Sure Tamp

43400.02## SERIES



MILK MODULE

ITEM	PART NO.	QTY.	DESCRIPTION
1	56366.0000	1	Manifold, Milk
	56370.0000	3	Kit, Solenoid Repair (milk)
	56367.0000	2	Kit, Solenoid Repair (water & air draw)
2	46540.0001	1	Pump
3	48704.0000	1	Check Valve
4	49570.0000	2	Sensor
5	53587.1000	1	Valve Assembly, Air Control
6	48271.0000	2	Fitting, Elbow
7	47067.0002	1	Orifice, Flow Control .028
8	46961.0000	1	Fitting
9	47633.0000	1	Elbow, Push to Connect
10	02536.0000	1	Grommet
11	28683.0000	1	Bushing, Strain Relief
12	52350.0001	2	Fitting
13	46961.1001	1	Kit, Replacement
14	46062.0000	2	Elbow, Push to Connect
15	46059.0000	1	Elbow, Push to Connect
16	47756.0000	2	Union, Bulkhead
17	50040.0000	2	Elbow, Push to Connect
18	50175.0000	1	Fitting
19	50069.0000	2	Elbow, Push to Connect
20		1	Tubing, 66.0" (Order # 36)
21		1	Tubing, 64.5" (Order # 37)
22		1	Tubing, 5.5" (Order # 36)
23		2	Tubing, 1.375" (Order # 36)
24		1	Tubing, 2.0" (Order # 36)
25		1	Tubing, 21.0" (Order # 32)
26		1	Tubing, 15.0" (Order # 32)

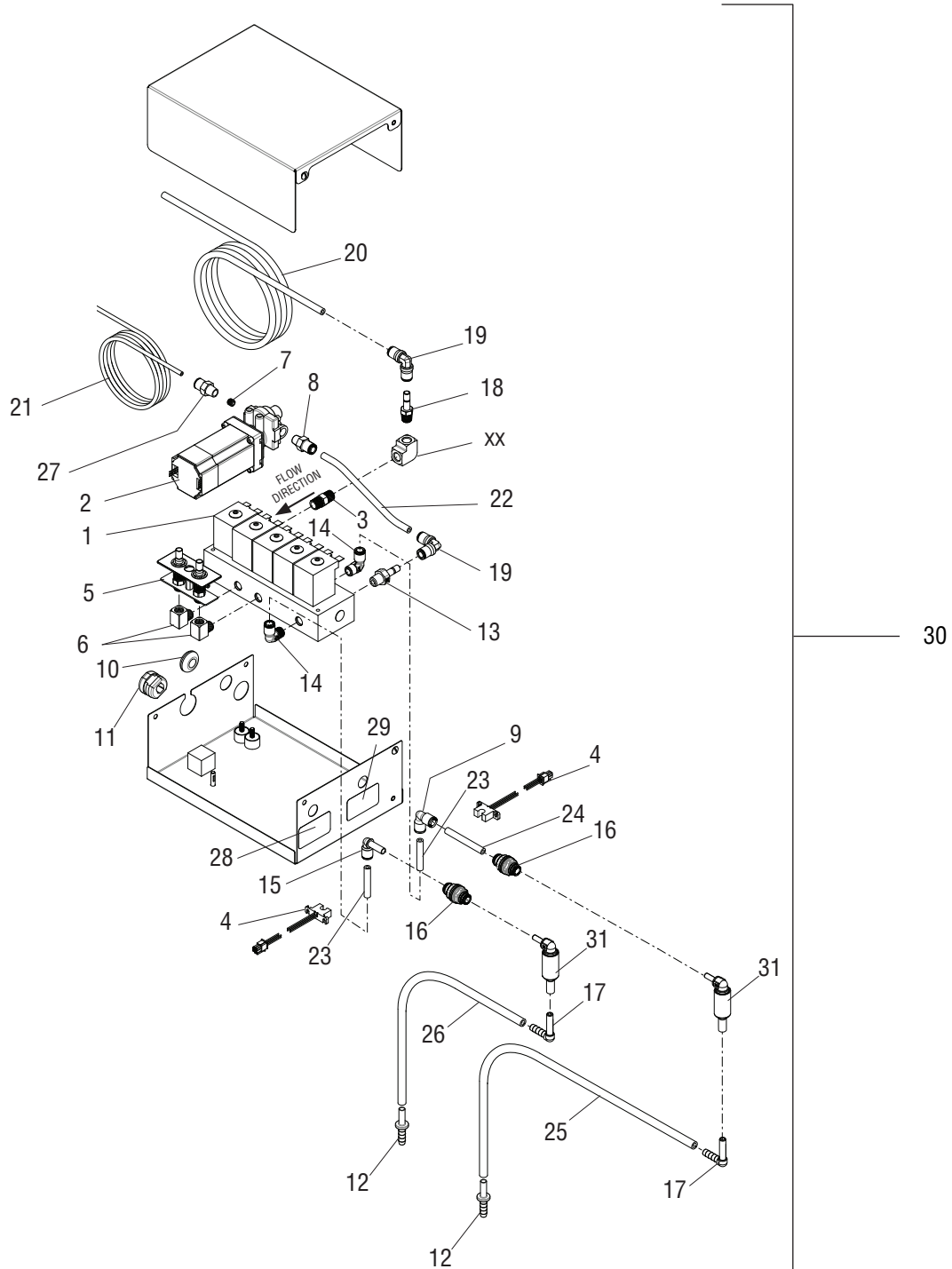
CONTINUED



MILK MODULE

Sure Tamp

43400.02## SERIES

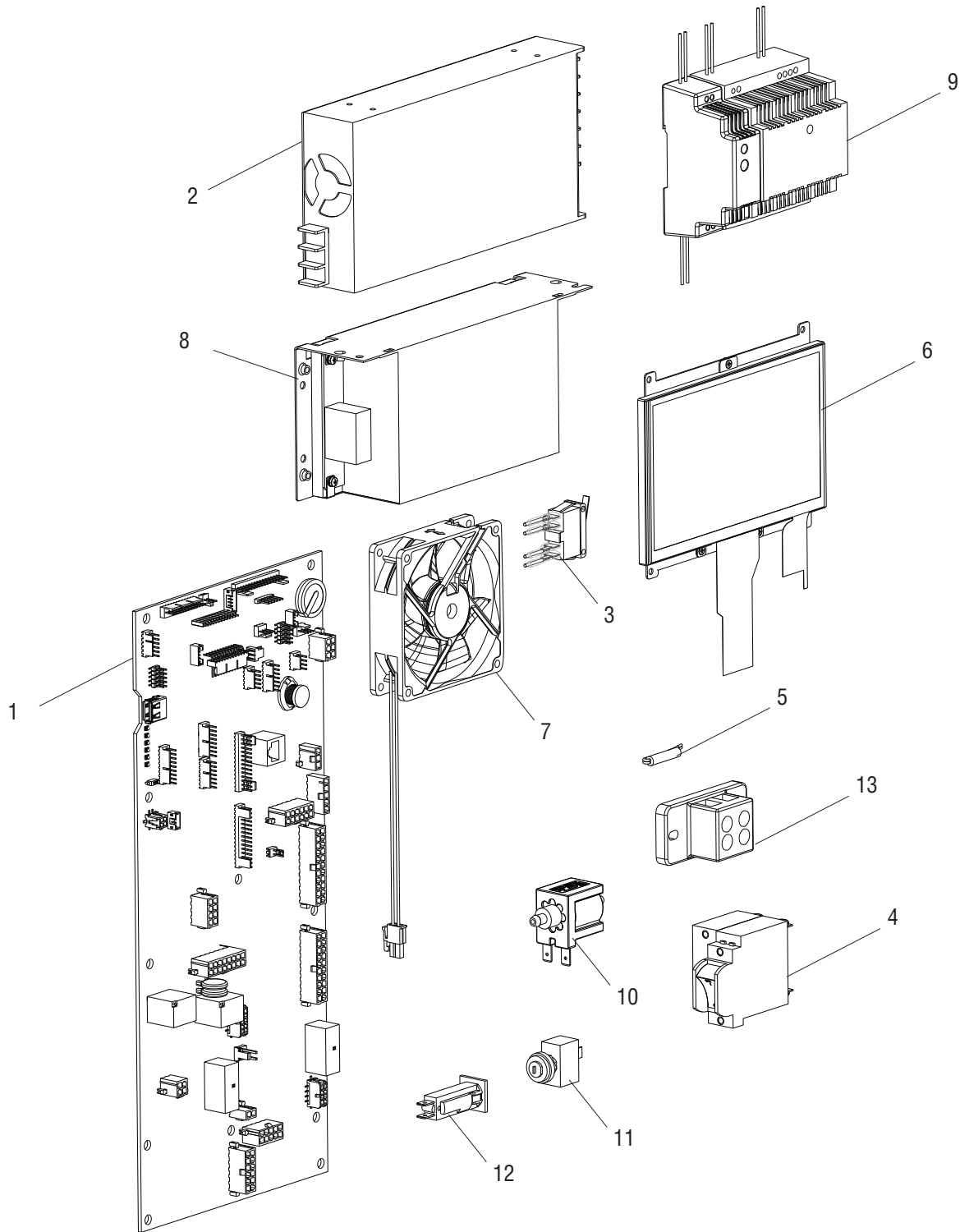


MILK MODULE

ITEM	PART NO.	QTY.	DESCRIPTION
27	50098.0002	1	Fitting (with item #7 Orifice)
28	48782.0000	1	Decal, Milk 1
29	48782.0001	1	Decal, Milk 2
30	49708.1001	1	Kit, Sure Tamp Milk Module (Includes all illustrated items)
31	54370.0000 54605.0000	2 -	Strainer, Milk Module Kit, Milk Strainer (Includes qty 2 of item 31)

The Following Items Are Not Illustrated

32	41113.1001 41113.1002	- -	Tubing, 3 Feet Tubing, 10 Feet
33	47180.0004	1	Wiring Harness, to Refrigerator
34	47666.0001	1	Wiring Harness, Pump to Main CBA J20
35	51495.0000	1	Kit, Milk Line Replacement (Includes 12, 17, 25 & 26)
36	46556.1000 46556.1001 46556.1002	- - -	Tubing, 1 Foot Tubing, 3 Foot Tubing, 10 Foot
37	47021.1000 47021.1001 47021.1000	- - -	Tubing, 1 Foot Tubing, 3 Feet Tubing, 10 Feet



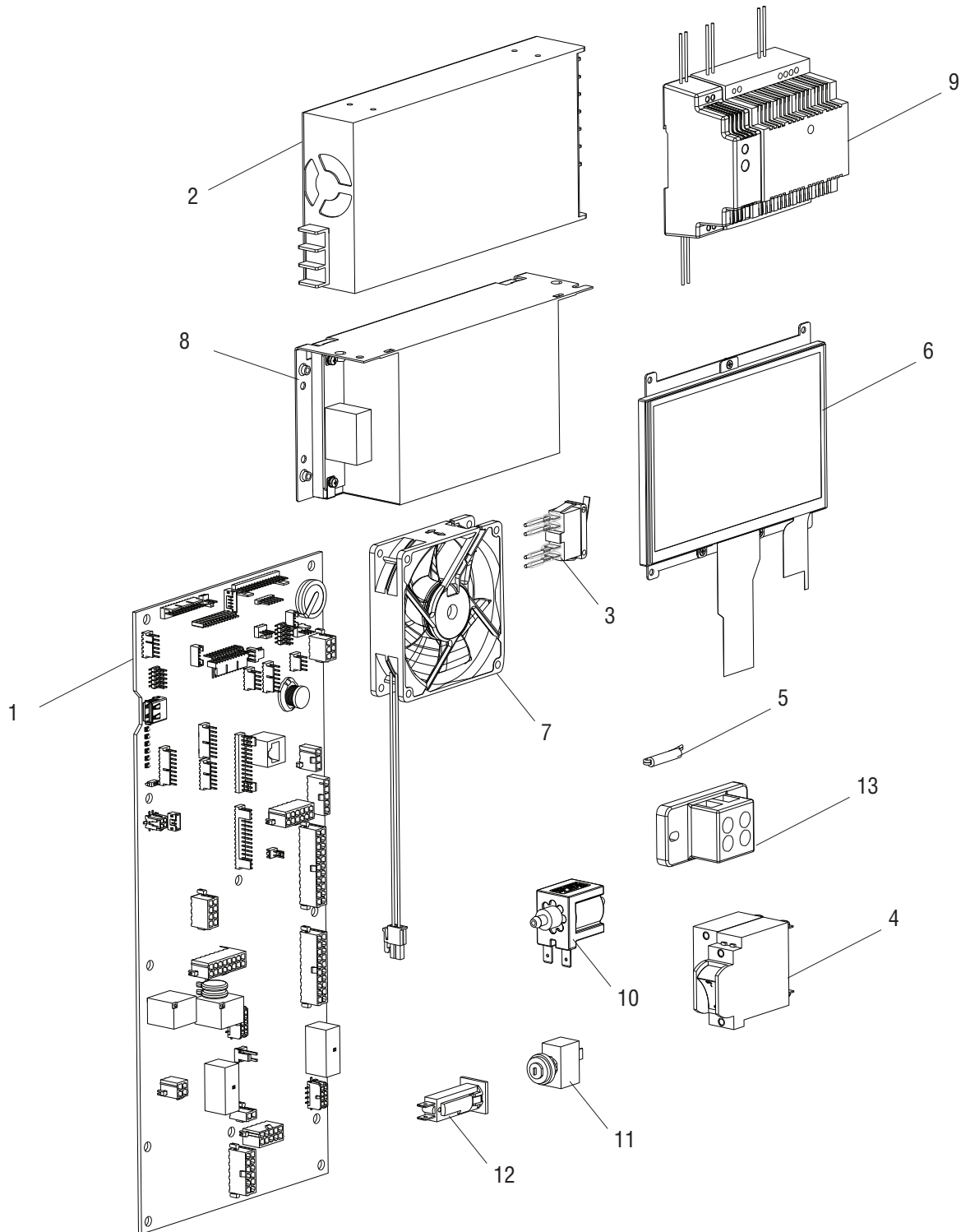
ELECTRICAL - GEN 2

ITEM	PART NO.	QTY.	DESCRIPTION
1	50123.1000 38123.0000	1 12	CBA, Main (Later Style with built in milk board) Screw, Phillips 6-32 x 1.0"
2	33363.0009	1	Power Supply, Main 24VDC (Late Models) S/N Break: 2SPR001533, 1SPR003332
3	46534.0001	1	Switch (Door)
4	38894.0003	1	Switch, Main
5	36390.0001	1	Switch, Reed
6	48242.0000	1	Kit, Touch Screen
7	47527.0000	1	Fan Assembly
8	46536.0002	1	Power Supply, Main 24VDC (Early Models)
9	48384.0000	1	Power Supply, 5VDC (Includes 47163.0001 Harness)
10	46633.0000	1	Valve, Vent 24VDC
11	20987.0000	1	Circuit Breaker, 3 AMP
12	27181.0000	3	Circuit Breaker, 5 AMP
13	01106.0001	1	Terminal Block

The Following Items Are Not Illustrated

14	50832.0000	1	Kit, Bunn Link (Includes antenna & 48781.0000 harness) CDMA (USA Only)
	50832.0001	1	Kit, Bunn Link Cellular SPRO GSM (INT'L) (Includes antenna & 48781.0000 harness)
	50832.0002	1	KIT, BunnLink LTE Cellular SURE TAMP INT'L (Includes antenna & 48781.0000 harness)
	48694.1000	1	Kit, BunnLink CBA (CDMA) (USA Only)
	48694.1002	1	Kit, BunnLink CBA (GSM) (International)
	48695.1000	1	Kit, BunnLink Antenna
15	47161.0000	1	Wiring Harness, Terminal Block to Main Switch
16	47162.0001	1	Wiring Harness, 24V P.S. to Main CBA J9
17	47163.0002	1	Wiring Harness, 5V P.S.
18	47164.0003	1	Wiring Harness, Brew Chamber to Main CBA (New Style Brew Chamber)
19	47165.0002	1	Wiring Harness, Brew Chamber Assembly
20	47167.0002	1	Wiring Harness, Hydraulic Assembly to Main CBA J5
21	47169.0003		Wiring Harness, Triacs/Heater to Main CBA (New CBA)
22	47170.0001	1	Wiring Harness, Water Pump/Flow Meter to Main CBA

CONTINUED



ELECTRICAL - GEN 2

ITEM	PART NO.	QTY.	DESCRIPTION
23	47171.0000	1	Wiring Harness, Heater Assembly
24	47172.0001	1	Wiring Harness, Grinder to Main CBA
25	49010.0000	1	Wiring Harness, Steam Wand to Main CBA
26	47366.0000	1	Wiring Harness, Brew Vent to Main CBA
27	48578.1000	3	Wiring Harness, Triac Assembly
28	48781.0000	1	Wiring Harness, Bunn Link to Main CBA
29	50211.0000	1	Power Cord
30	50498.0001	1	Wiring Harness, Chassis to Display
31	50502.0003	1	Wiring Harness, Hydraulic Assembly (43400.02## Models)

PREVENTIVE MAINTENANCE KITS

ITEM	PART NO.	QTY.	DESCRIPTION
1	51791.0001	1	PM Kit, Sure Tamp Steam 9-Month
2	51792.0001	1	PM Kit, Sure Tamp Auto 9-Month
3	52032.0000	1	PM Kit, Sure Tamp Auto w/C300 9-Month
4	52794.0000	1	PM Kit, Sure Tamp Steam 15-Month
5	52794.0001	1	PM Kit, Sure Tamp Auto 15-Month
6	52794.0015	1	PM Kit, Sure Tamp Auto 21-Month
7	52794.0016	1	PM Kit, Sure Tamp Steam 21-Month
8	55457.0000	1	PM Kit, Sure Tamp Gen 2 Hydraulic 21-Month
9	52794.0007	1	PM Kit, Sure Tamp Auto 27-Month
10	52794.0008	1	PM Kit, Sure Tamp Auto 27-Month
11	52794.0009	1	PM Kit, Sure Tamp Gen 2 Milk 27-Month
12	52794.0012	1	PM Kit, Sure Tamp Auto 33-Month
13	52794.0014	1	PM Kit, Sure Tamp Steam 33-Month