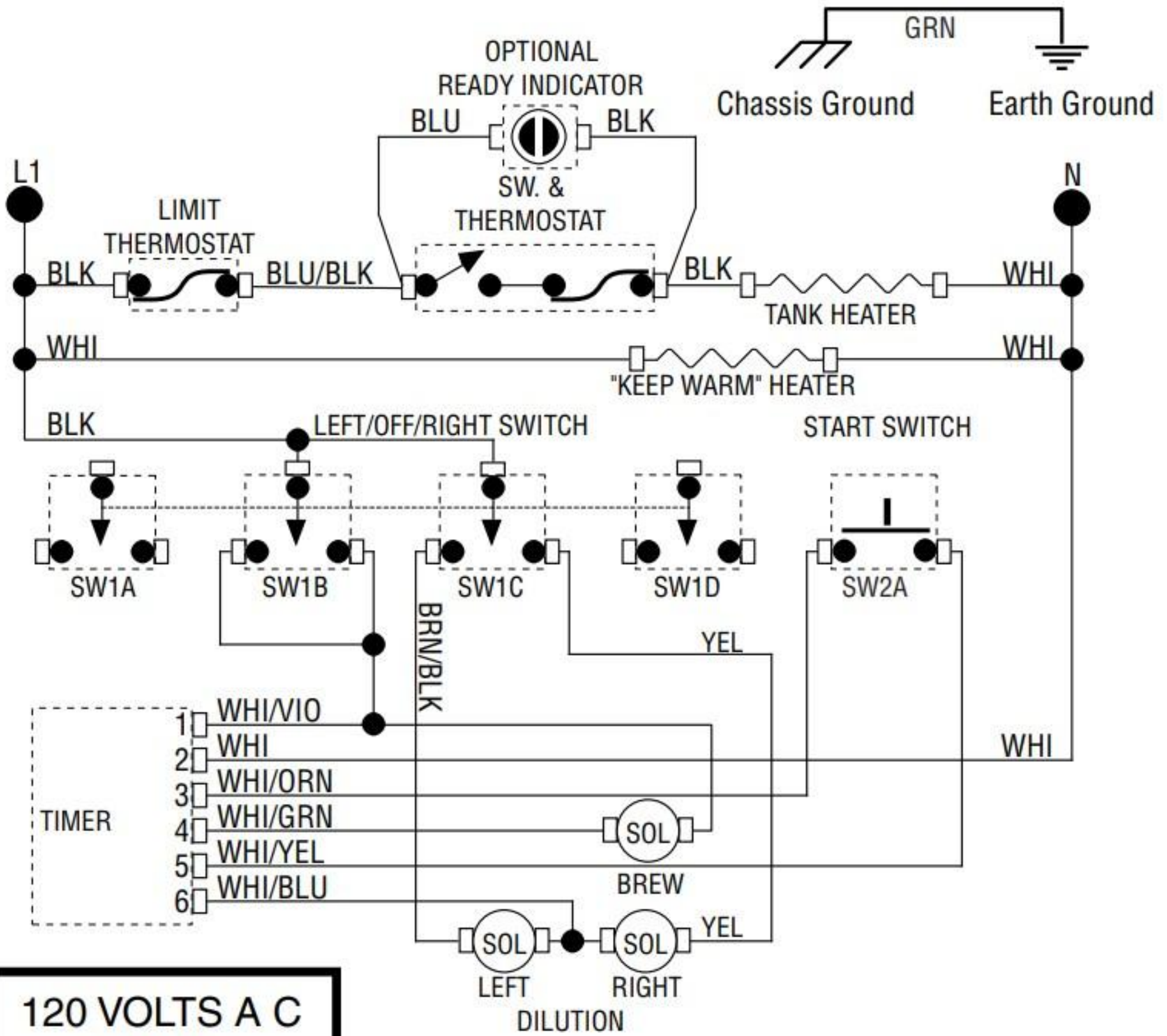
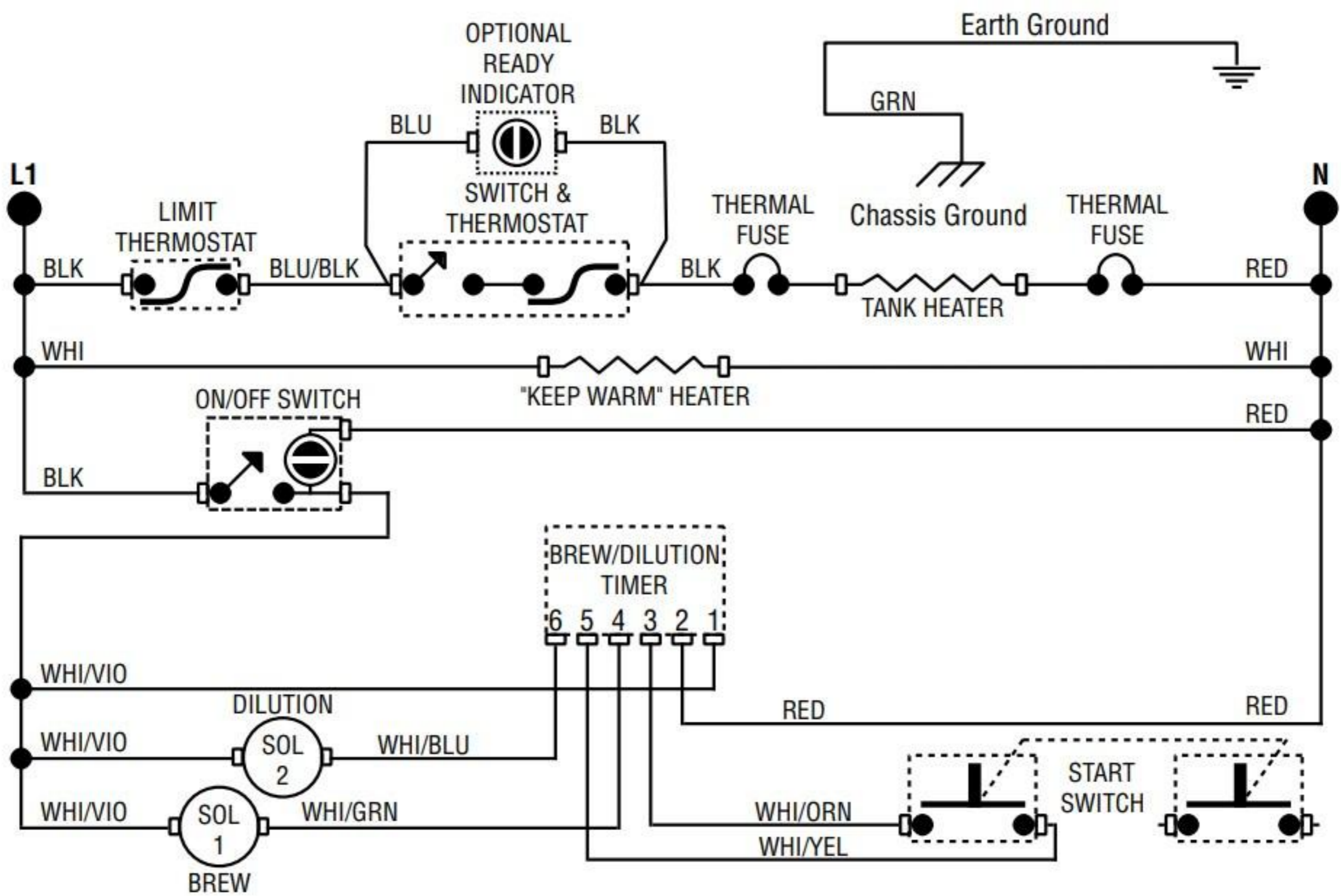


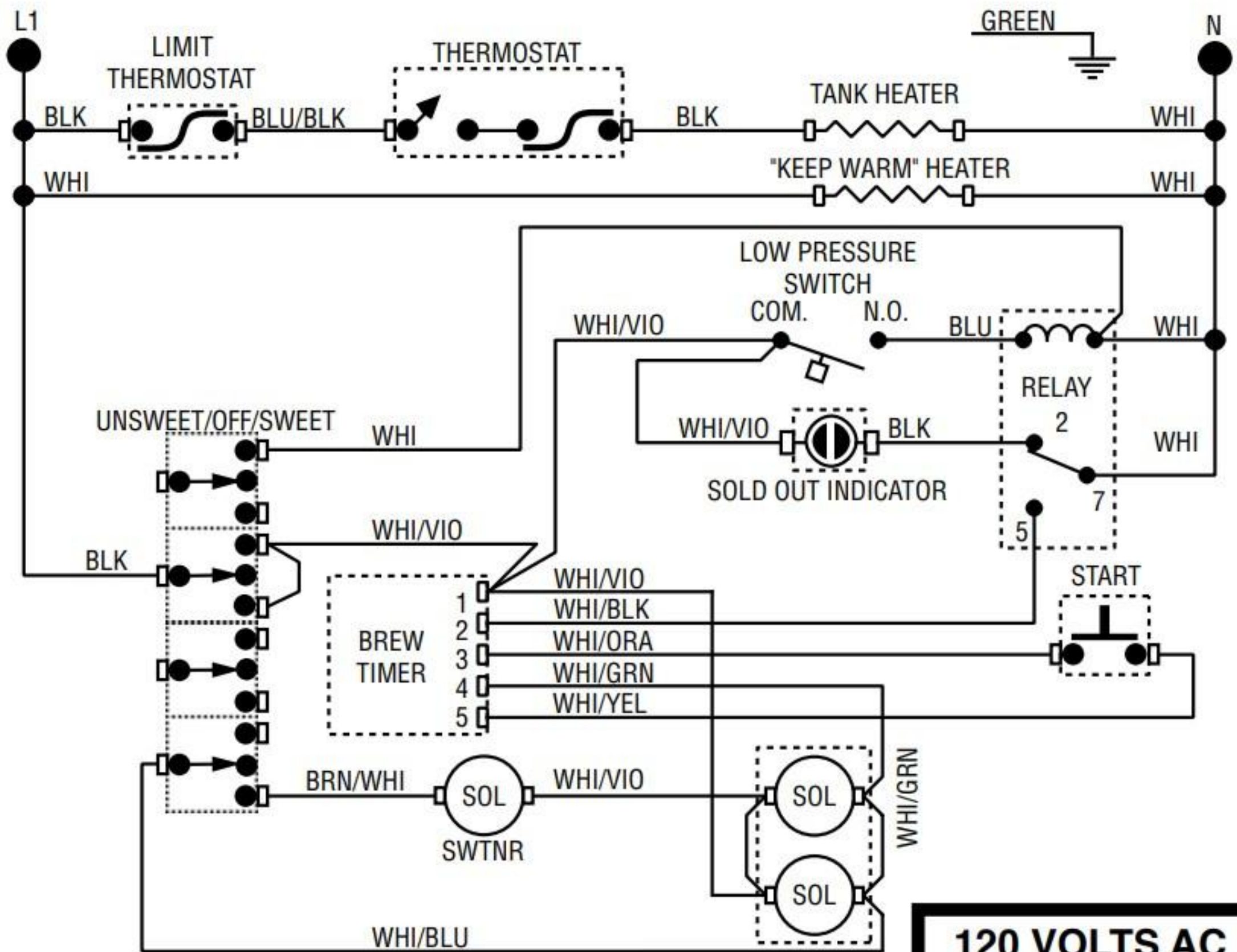
**120 VOLTS A C
2 WIRE
SINGLE PHASE**



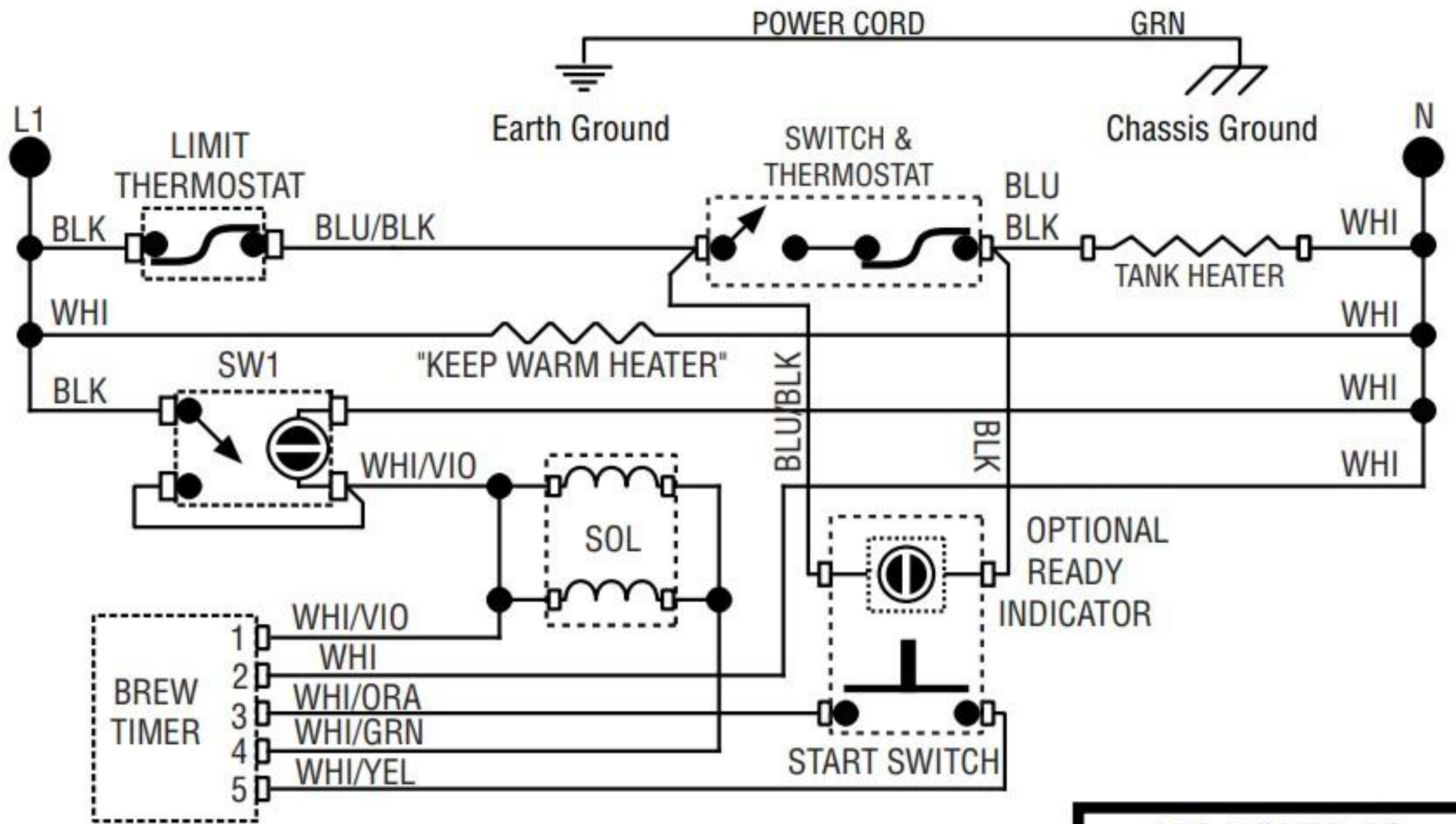
**120 VOLTS A C
2 WIRE
SINGLE PHASE**



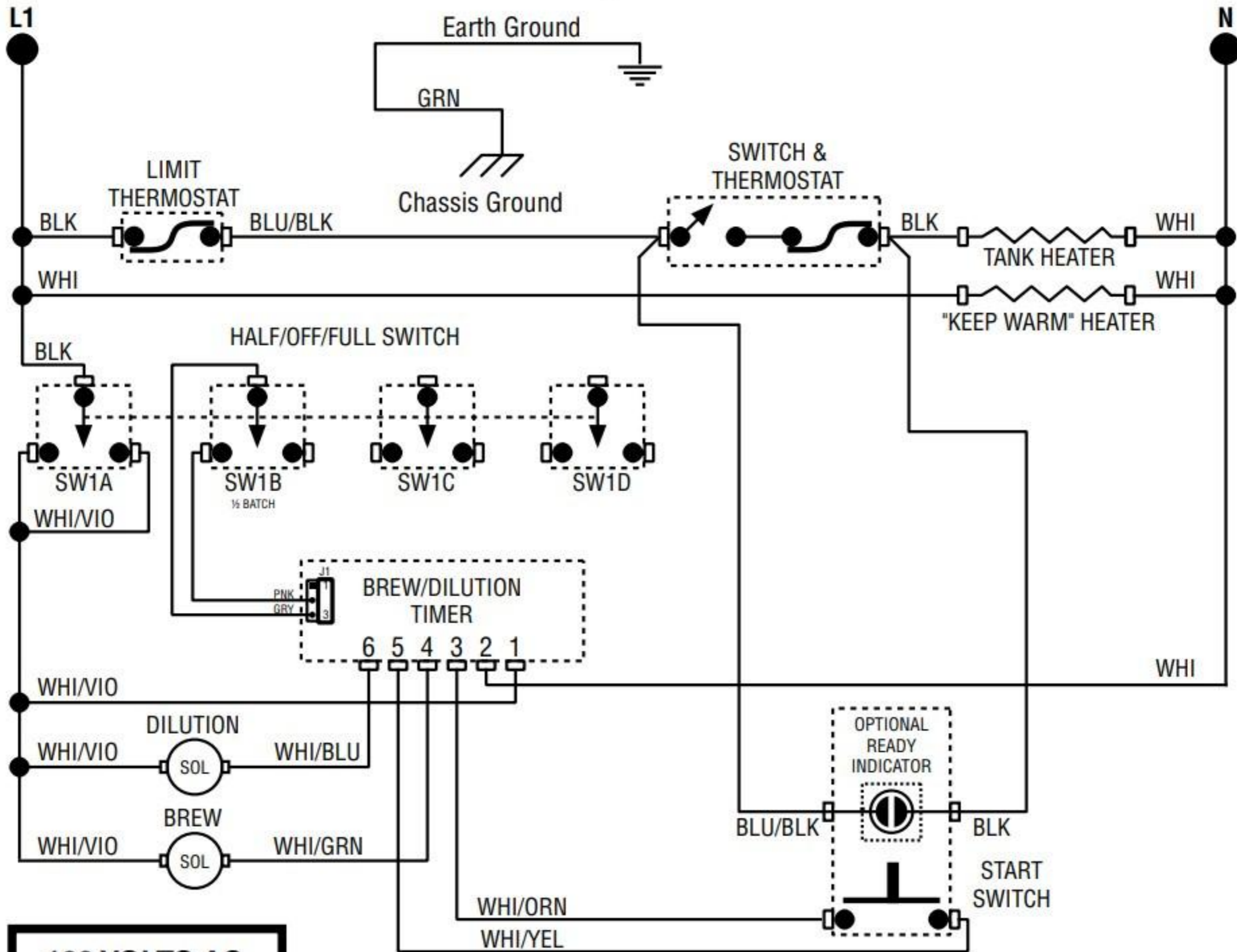
**230 VOLTS AC
2 WIRE
SINGLE PHASE**



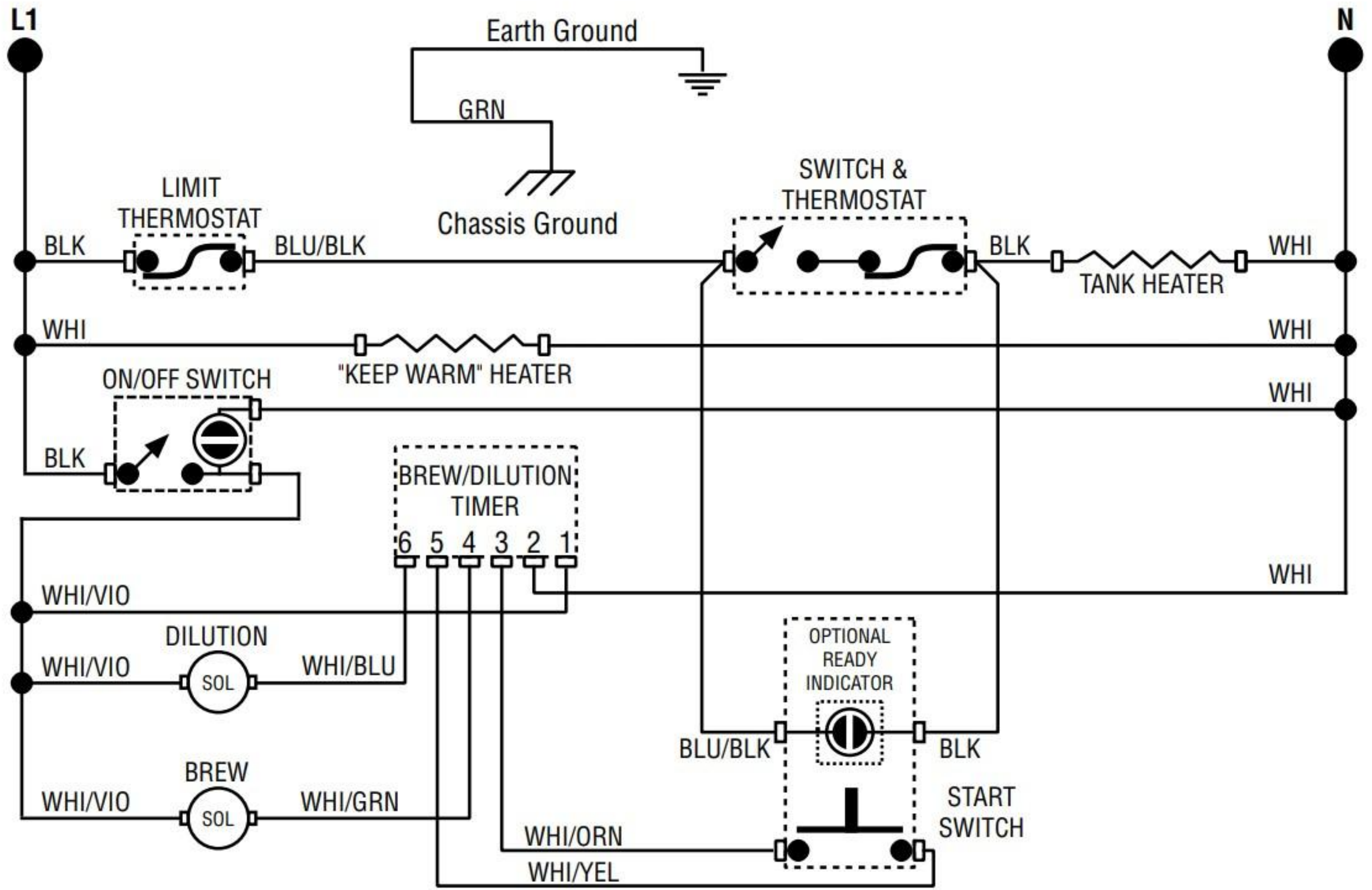
**120 VOLTS AC
2 WIRE
SINGLE PHASE**

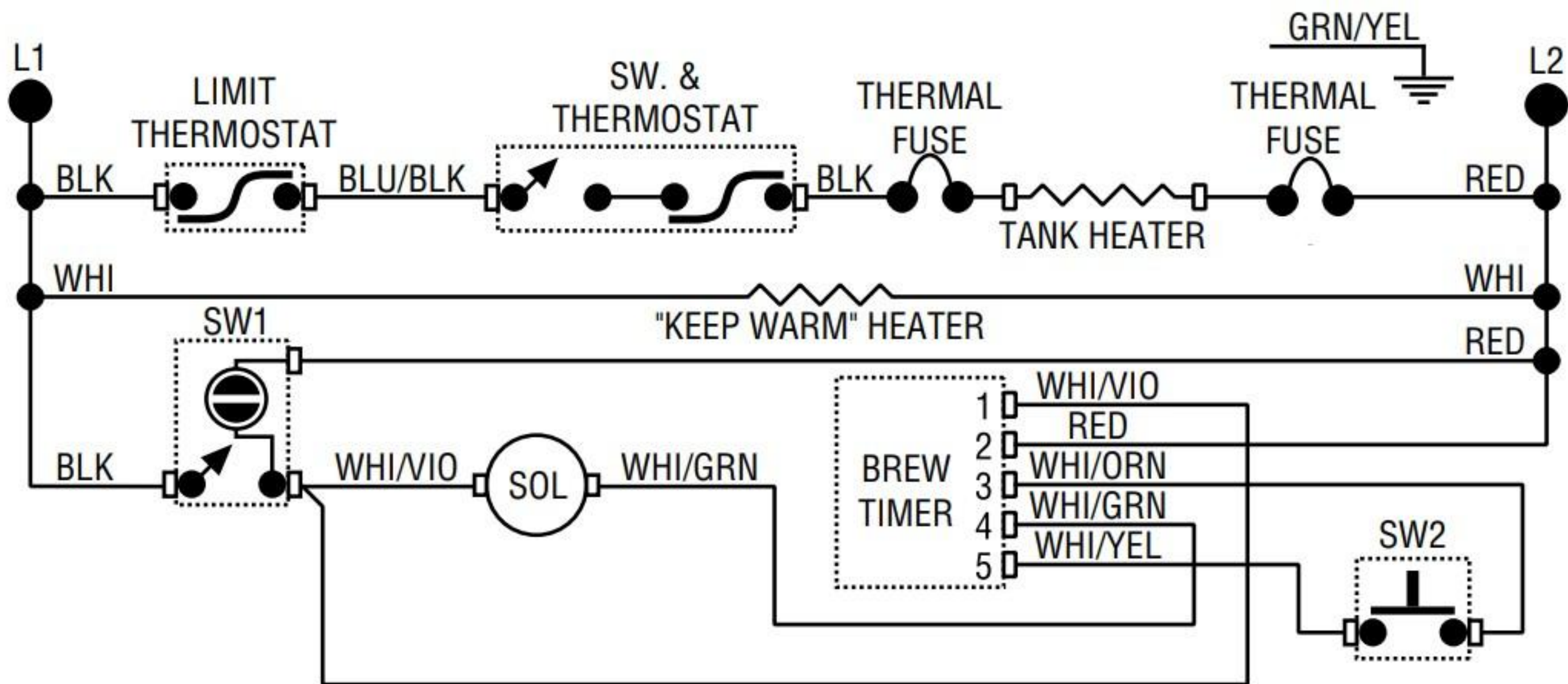


**120 VOLTS AC
2 WIRE
SINGLE PHASE**

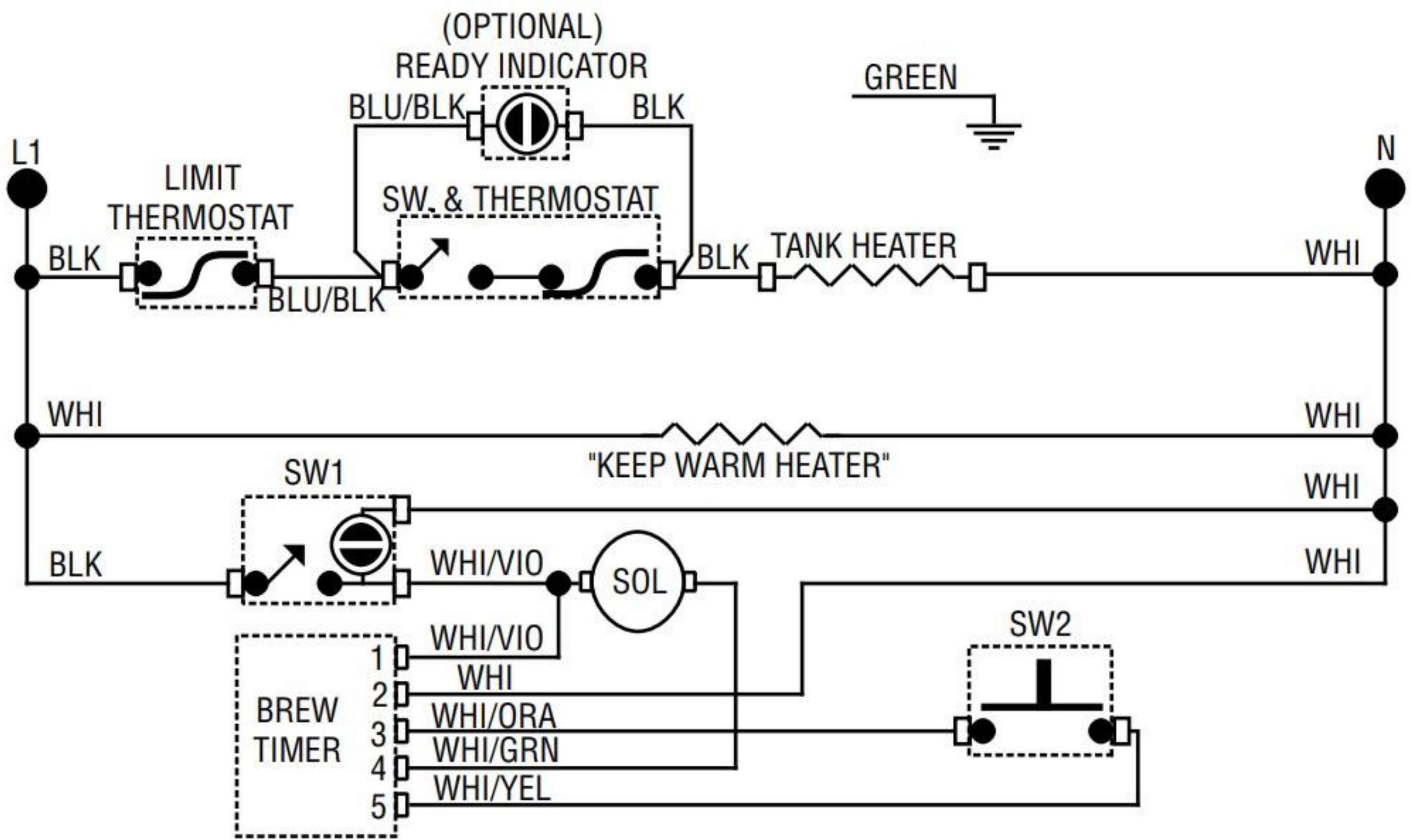


**100 VOLTS AC
120 VOLTS AC
2 WIRE + GND
SINGLE PHASE**





**230 VOLTS AC
2 WIRE
SINGLE PHASE**



**120 VOLTS AC
2 WIRE
SINGLE PHASE**