

ILLUSTRATED PARTS CATALOG

Designs, materials, weights, specifications, and dimensions for equipment or replacement parts are subject to change without notice.

Bunn-O-Matic Corporation

Post Office Box 3227, Springfield, Illinois 62708-3227

Phone (217) 529-6601 | Fax (217) 529-6644

Technical Support Phone (800) 420-2866

BUNN-O-MATIC COMMERCIAL PRODUCT WARRANTY

Warranty statements and information can be found on our website. Please visit <https://commercial.bunn.com/support/warranty-lookup> for further details.

TABLE OF CONTENTS

Base - Trunk - Hood - Covers & Panels	4
Electrical Controls.....	18
Faucet.....	16
Funnel.....	22
Numerical Index.....	24
Sprayhead Valve, Water By-Pass Valve and Sprayhead.....	12
Tank and Mounting Brackets	8
Tank Heater & Overflow Protection Devices.....	6
Water Inlet Valve & Lines.....	10

TIPS:



To **Search/Find** content in this document, use "**Ctrl+F**" (PC)



To **Search/Find** content in this document, use "**Command+F**" (Mac)

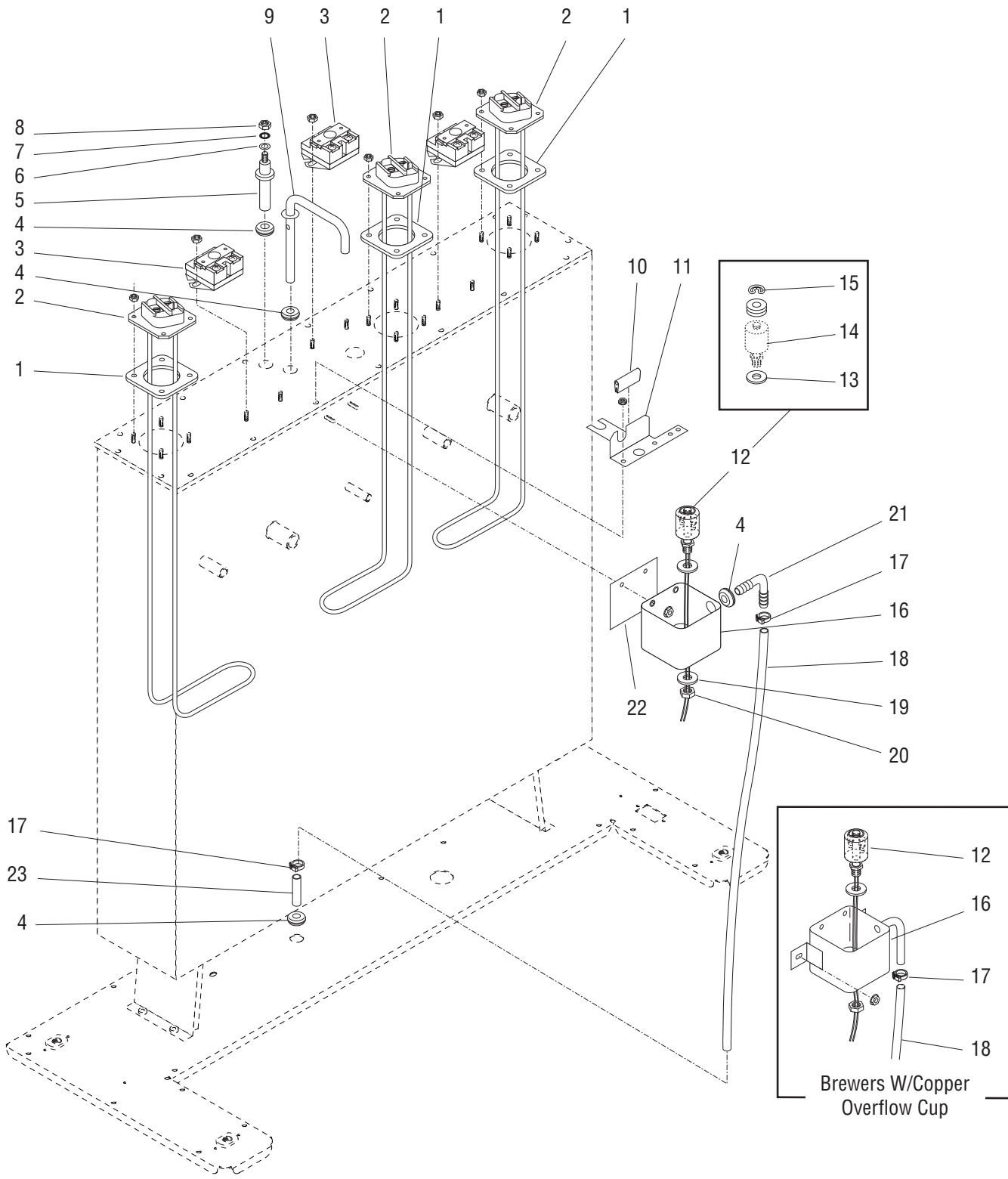
BASE - TRUNK - HOOD - COVERS & PANELS

ITEM	PART NO.	QTY.	DESCRIPTION
1	39884.1001	1	Cover Assy, Top BLK (Includes item 2 & 3)
	01315.0005	6	Screw, Truss Head BLK #8 - 32 x .38"
2	37881.0000	2	Decal, "No Serviceable Parts"
3	25151.0000	4	Shield, Insulator
4	39972.0000	1	Schematic, 3 Phase/1 Phase (120/208 & 120/240V models)
	39972.0001	1	Schematic, 3 Phase/1 Phase (230/400V models)
	39972.0002	1	Schematic, 3 Phase/1 Phase (200V models)
5	39530.1001	1	Hood SST (Includes item 6)
	02308.0000	26	Screw, Pan Head #8 - 32 x .375"
6	39544.0000	1	Switch, Membrane
7	39514.1000	1	Panel W/Decals, Trunk Rear (Includes items 8 & 9)
8	00986.0000	1	Decal, Warning - Electrical
9	00656.0001	1	Decal, Comply to Plumbing Code
10	39516.1000	2	Panel W/Decal, Trunk Side (Includes item 11) (1 less used on 230/400V models)
	39516.1001	1	Panel W/Decal, Trunk Right Side (Includes item 11) (230/400V models)
11	39803.0000	1	Decal, Main Power Switch
12	40886.1000	1	Panel, Access EMI Filter (230/400V models only) (Includes items 2 and 21)
	41096.0000	4	Screw, Pin in Torx Head #8 - 32 x .375"
13	39518.1000	1	Panel W/Decals, Trunk SST (Includes items 14 & 15) (120/208V models)
	39518.1001	1	Panel W/Decals, Trunk SST (Includes items 14 & 15) (120/240V models)
	39518.1002	1	Panel W/Decals, Trunk SST (Includes items 14 & 15) (230/400V models)
	01315.0000	6	Screw, Truss Head #8 - 32 x .375"
14	00658.0000	1	Decal, Caution - Decanter/Funnel
15	29710.0015	1	Decal, Optional Field Wiring (120/208V models)
	29710.0019	1	Decal, Optional Field Wiring (120/240V models)
	29710.0020	1	Decal, Optional Field Wiring (230/400V models)
16	39521.1000	1	Panel W/Decal, Trunk SST (Includes item 2)
	01315.0000	2	Screw, Truss Head #8 - 32 x .375"
17	39520.0000	1	Bracket, Server Stop
	01315.0000	4	Screw, Truss Head #8 - 32 x .375"
18	39512.0005*	1	Base Plate
	02308.0000	19	Screw, Pan Head #8 - 32 x .375"
19	40041.0000	4	Leg, Nickel Plated
20	40042.0000	4	Pad, Anti Skid
21	12559.0003	1	Decal, "Warning Hazardous Voltage"

* Indicates the part number listed is for reference only. See DESCRIPTION for possible service replacement.



TANK HEATER & OVERFLOW PROTECTION DEVICES



TANK HEATER & OVERFLOW PROTECTION DEVICES

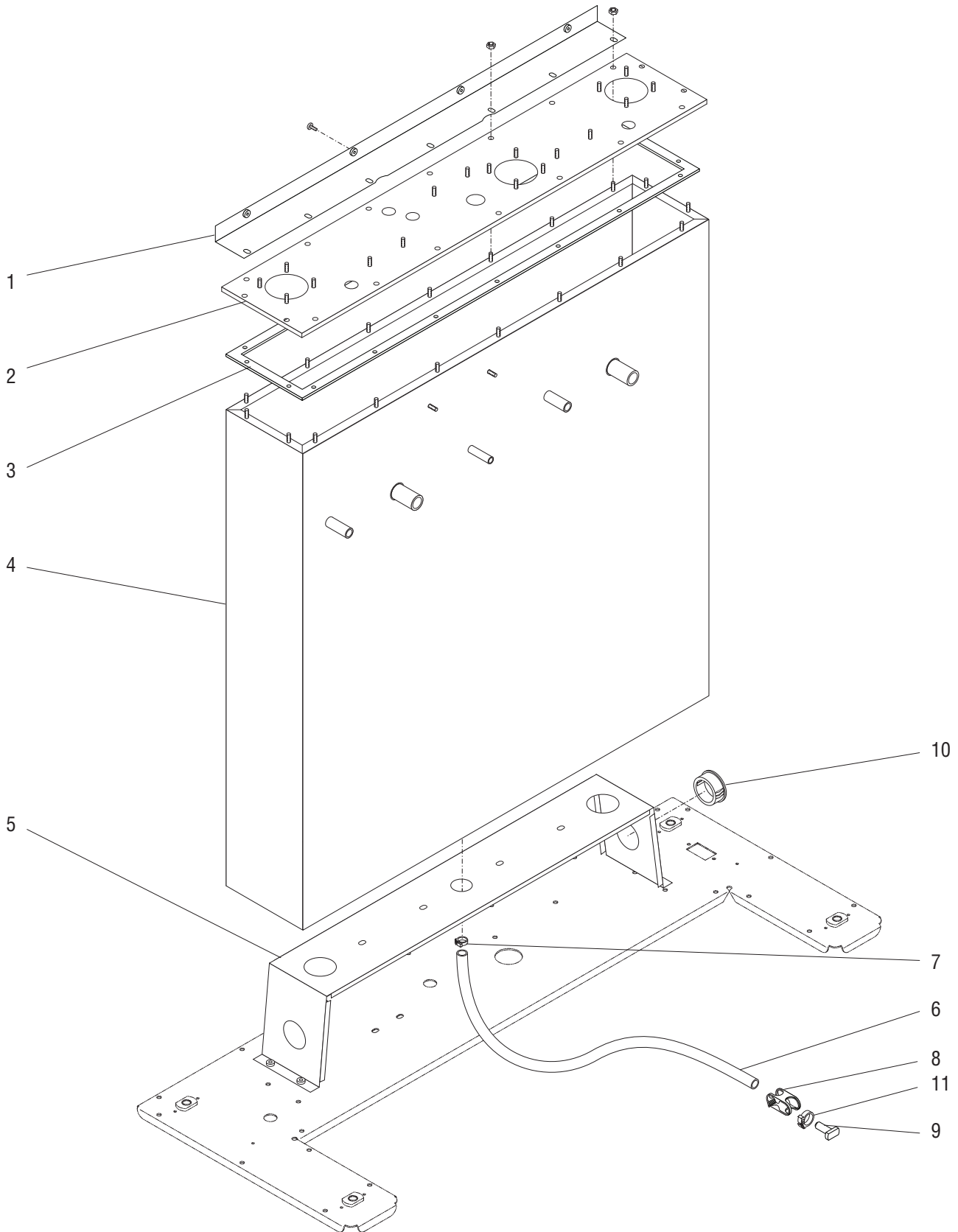
ITEM	PART NO.	QTY.	DESCRIPTION
1	12398.0002	3	Gasket, Tank Heater
2	12305.1000	3	Tank Heater, 4000W @ 208V (Includes item 1)
	12322.1000	3	Tank Heater, 4000W @ 240V (Includes item 1)
	00908.0000	12	Nut, Hex #8 - 32
3	23717.0003	3	Thermostat, Limit
	00908.0000	6	Nut, Hex #8 - 32
4	02536.0000	3	Grommet .375" I.D.
5	20936.1000	1	Probe Kit (Includes items 6, 7 & 8)
6	01501.0000	1	Washer .164" I.D. x .375" O.D.
7	20203.0100	1	Lockwasher, Internal Tooth #8
8	00908.0000	1	Nut, Hex #8 - 32
9	26622.0001	1	Tube Assy, Vent
10	02434.0010*	1	U-Channel 2.0" (Order item 24)
11	27473.0000	1	Bracket, Overflow Cup Mounting
12	03803.0002	1	Switch Assy, Liquid Level (Includes items 13, 14 & 15)
	00946.0000	1	Nut, Hex .125" FPT
	04797.0000	1	Washer, .520" I.D. x 1.075" O.D.
13	03633.0000	1	Gasket, Float Switch
14	01527.0000*	3	Washer, Adjusting (DO NOT USE IN THIS APPLICATION)
15	03807.0000	1	Clip, Spring
16	22728.0000	1	Overflow Cup Assy Copper (Second type) (Also replaces aluminum cup)
	41259.1003	1	Kit, Overflow Cup (Aluminum) (Includes items 4,19, 21 & 22)
	00971.0000	2	Nut, Keps #10-32
17	12422.0000	2	Clamp, Hose .47"/.54" I.D.
18	03236.0027*	1	Tube, Silicone .312" I.D. x 45.0" (Order item 25)
19	04797.0000	1	Washer, Celcon .520" I.D. x 1.0" O.D.
20	00946.0000	1	Nut, Hex .125" FPT
21	41280.0001	1	Elbow,.375" Multi Barb
22	41266.0000	1	Film, Insulating
23	21801.0002	1	Tube .375" O.D.
24	02434.1000	-	U-Channel 18.0" (Use as required)
25	03236.1001	-	Tube, Silicone .312" I.D. x 36.0"
	03236.1003	-	Tube, Silicone .312" I.D. x 60.0"
	03236.1002	-	Tube, Silicone .312" I.D. x 120.0"

} Not illustrated

* Indicates the part number listed is for reference only. See DESCRIPTION for possible service replacement.



TANK AND MOUNTING BRACKETS



P3878.1

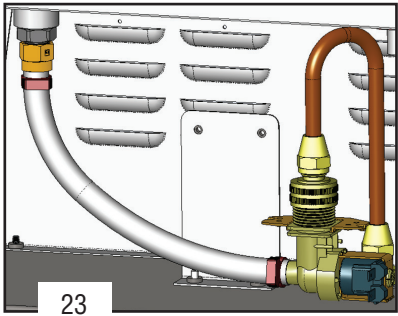
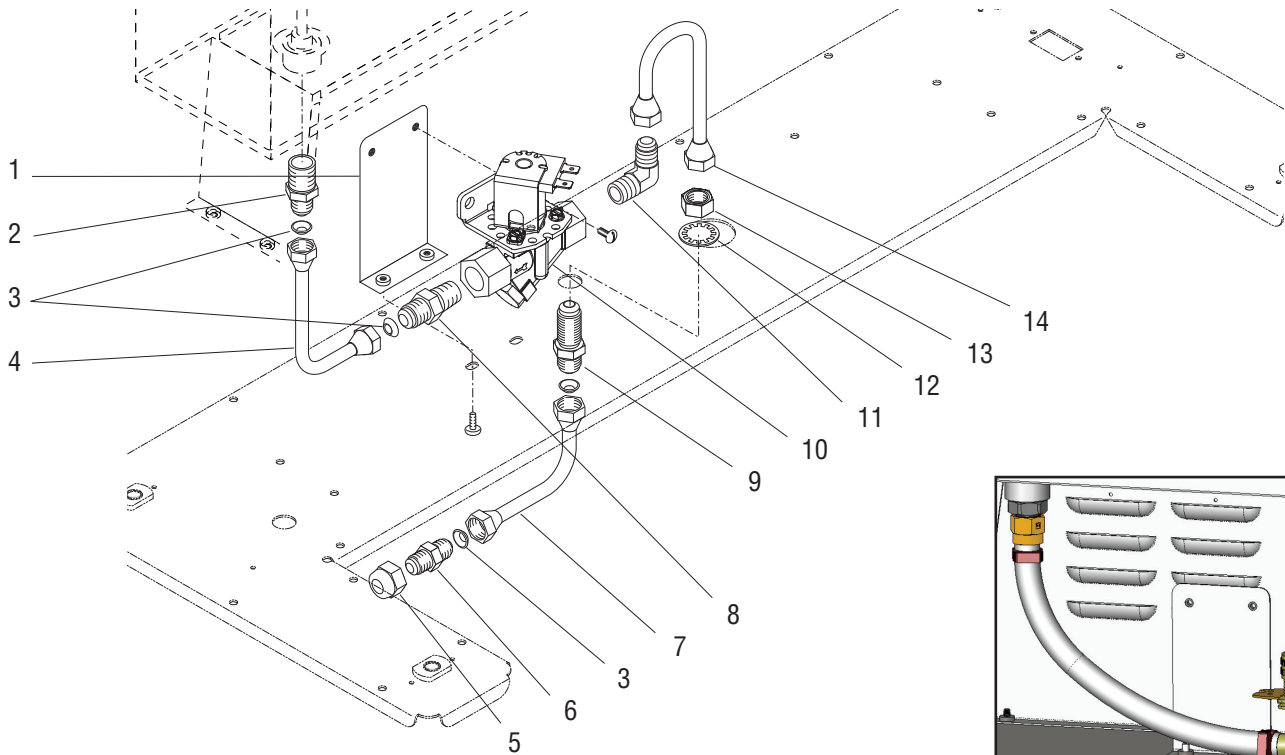
TANK AND MOUNTING BRACKETS

ITEM	PART NO.	QTY.	DESCRIPTION
1	39990.0000	1	Bracket, Tank Support (Top)
	01317.0003	4	Screw, Truss Head LKG #8 - 32 x .375"
	00908.0000	3	Nut, Hex #8 - 32
2	39548.0000	1	Lid, Tank
	00908.0000	16	Nut, Hex #8 - 32
3	39545.0000	1	Gasket, Tank
4	39618.1001	1	Tank
5	39540.0000	1	Bracket, Tank Mounting (Bottom)
	00971.0000	4	Nut, Keps #10-32
6	32591.0011*	1	Tube, Silicone .50" I.D. x .75" O.D. x 36.0" (Order item 11)
7	12422.0005	2	Clamp, Hose .62"/.71" I.D.
8	11630.0002	1	Clamp Shut Off, Tube
9	35086.0000	1	Plug, .50" I.D. Hose
10	01592.0001	1	Bushing, 1.188" Dia.
11	12422.0005	1	Clamp, Hose - Snap Type .62/.71 I.D.
12	32591.1002	1	Tube, Silicone .50" I.D. x 36.0" (Not illustrated)

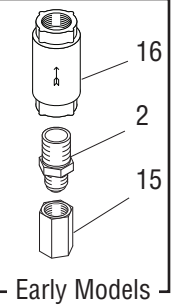
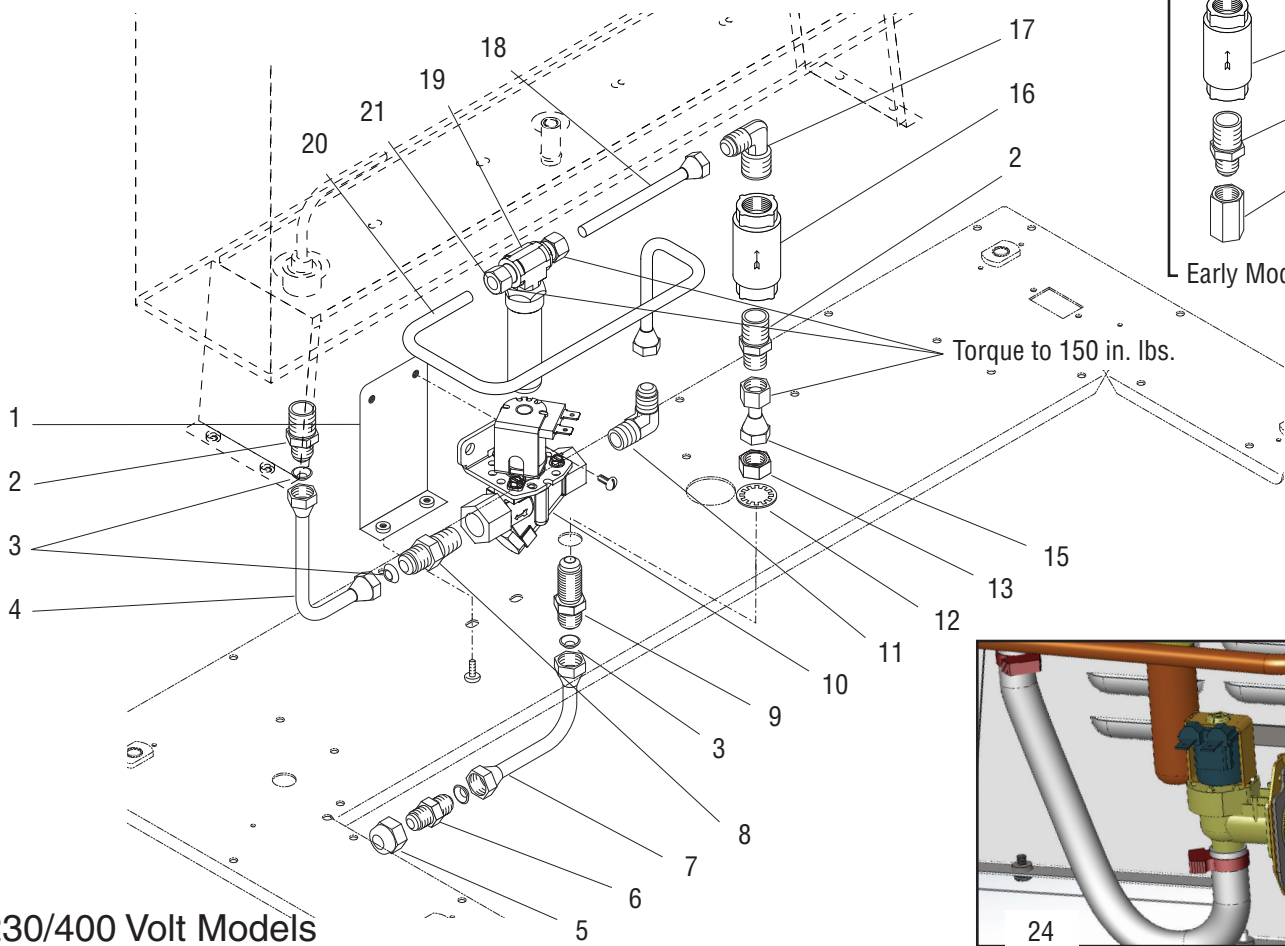
* Indicates the part number listed is for reference only. See DESCRIPTION for possible service replacement.



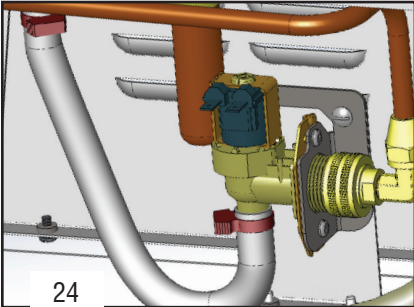
WATER INLET VALVE & LINES (EARLY STYLE)



120/208 & 120/240 Volt Models



Torque to 150 in. lbs.



230/400 Volt Models

WATER INLET VALVE & LINES

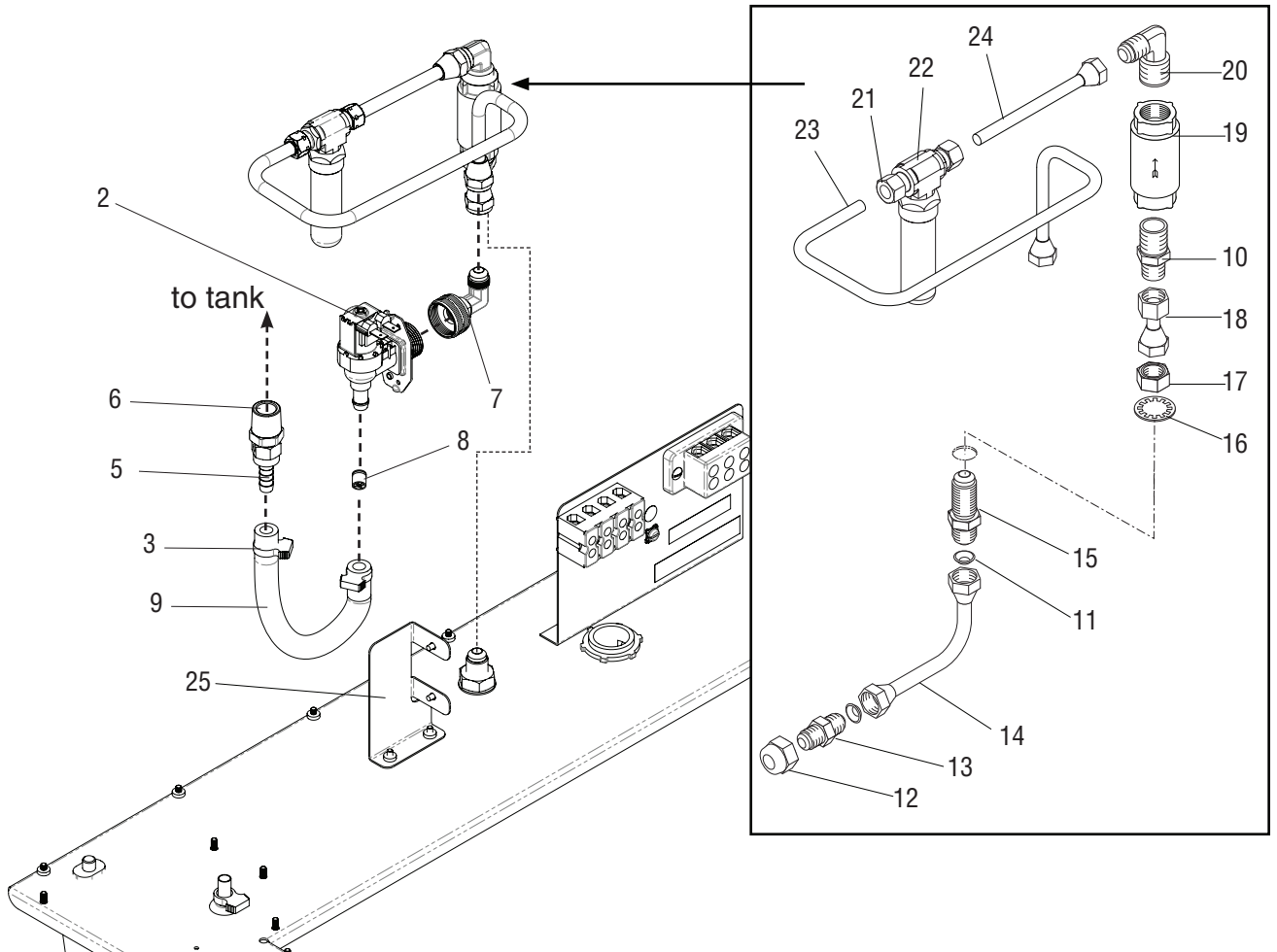
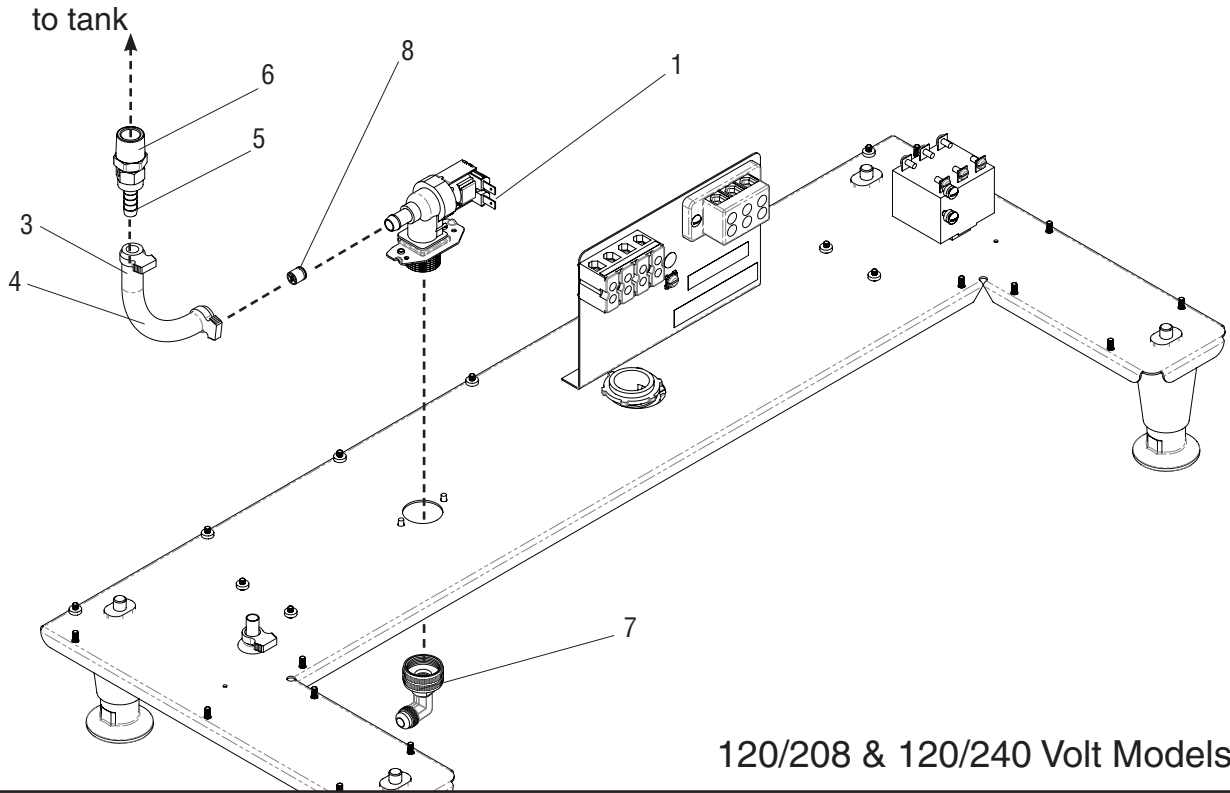
ITEM	PART NO.	QTY.	DESCRIPTION
1	39536.0000	1	Bracket, Solenoid Mounting
	02308.0000	2	Screw, Pan Head #8 - 32 x .375"
2	40040.0000	1	Fitting, .375" Male Flare x .50" MPT (One additional used on Early 230/400V models)
	40809.0000	1	Fitting, Compression .38" Tube x .50" MPT (Late 230/400V models)
3	32359.0000	4	Gasket, .375" Flare Copper
4	39965.0000	1	Tube Assembly, Solenoid to Tank .38" O.D.
5	12919.0001	1	Cap (For shipping purposes only)
6	36081.0000	1	Union .375" Male Flare
7	00310.0008	1	Tube Assembly, Bulkhead to Supply
8	36085.0000	1	Connector .375" Flare x .125" MPT
9	12756.0000	1	Bulkhead Fitting .375" Flare
10	40507.0000	1	Solenoid Valve Assy, 120V (Order item 23)
	40507.0002	1	Solenoid Valve Assy, 240V (Order item 24)
	01315.0000	2	Screw, Truss Head #8 - 32 x .375"
11	34768.0001	1	Elbow, Male .375" Flare x .125" MPT
12	01514.0000	1	Lockwasher, Internal Tooth .625" I.D.
13	12757.0000	1	Nut, Hex .625" - 20
14	40171.0000	1	Tube Assy, Bulkhead to Solenoid Valve (120/208V & 120/240V models)
15	36478.0000	1	Fitting, Flared Union .375" (Early models)
	41498.0001	1	Tube Assy, Bulkhead to Check Valve (Late models)
16	40831.0000	1	Check Valve
17	40892.0000	1	Fitting, 90° Flare .50: MPT
18	40818.0000	1	Tube Assy, Check Valve to Arrester (Includes Flare Nut)
19	40832.0000	1	Mini Rester
20	40817.0000	1	Tube Assy, Arrester to Solenoid Valve (Includes Flare Nut)
21	00929.0001	2	Nut/Sleeve, Compression .38" Tube
22	M2517.0000	-	Sealant, Pipe 6 ml (Not illustrated)
23	58909.1000	1	Kit, Solenoid Replacement DUAL TITAN 120V
	36233.0052	1	Valve, Inlet 110/120V 50/60HZ
	12418.0001	1	Fitting,SWVL Nut.38BARB TNPLD
	07111.0000	1	Fitting,.38FLR X .75 HOSE THD
	12422.0001	2	Clamp, Hose-Snap Type.59/.66ID
	20976.0055	1	Tube,Silicone-.38ID x .62 x 9.0LG
	36378.0001	1	Valve, Check 2.5 PSI
24	58899.1000	1	Kit, Solenoid Replacement DUAL TITAN 220V
	36233.0050	1	Valve, Inlet 220/240V 50/60HZ
	12418.0001	1	Fitting,SWVL Nut.38BARB TNPLD
	12422.0001	2	Clamp, Hose-Snap Type.59/.66ID
	20976.0053	1	Tube,Silicone-.38ID x .62 x 8.0LG
	36378.0001	1	Valve, Check 2.5 PSI
	58899.0000	1	Bracket, Adapter Inlet Dual Titan CE
	32283.0000	2	Screw, SST SLTD M4 x 6mm
	01315.0000	2	Screw, TRH SLTD SST 8-32 x .38

230/400V models only

* Indicates the part number listed is for reference only. See DESCRIPTION for possible service replacement.



WATER INLET VALVE & LINES (LATE STYLE)



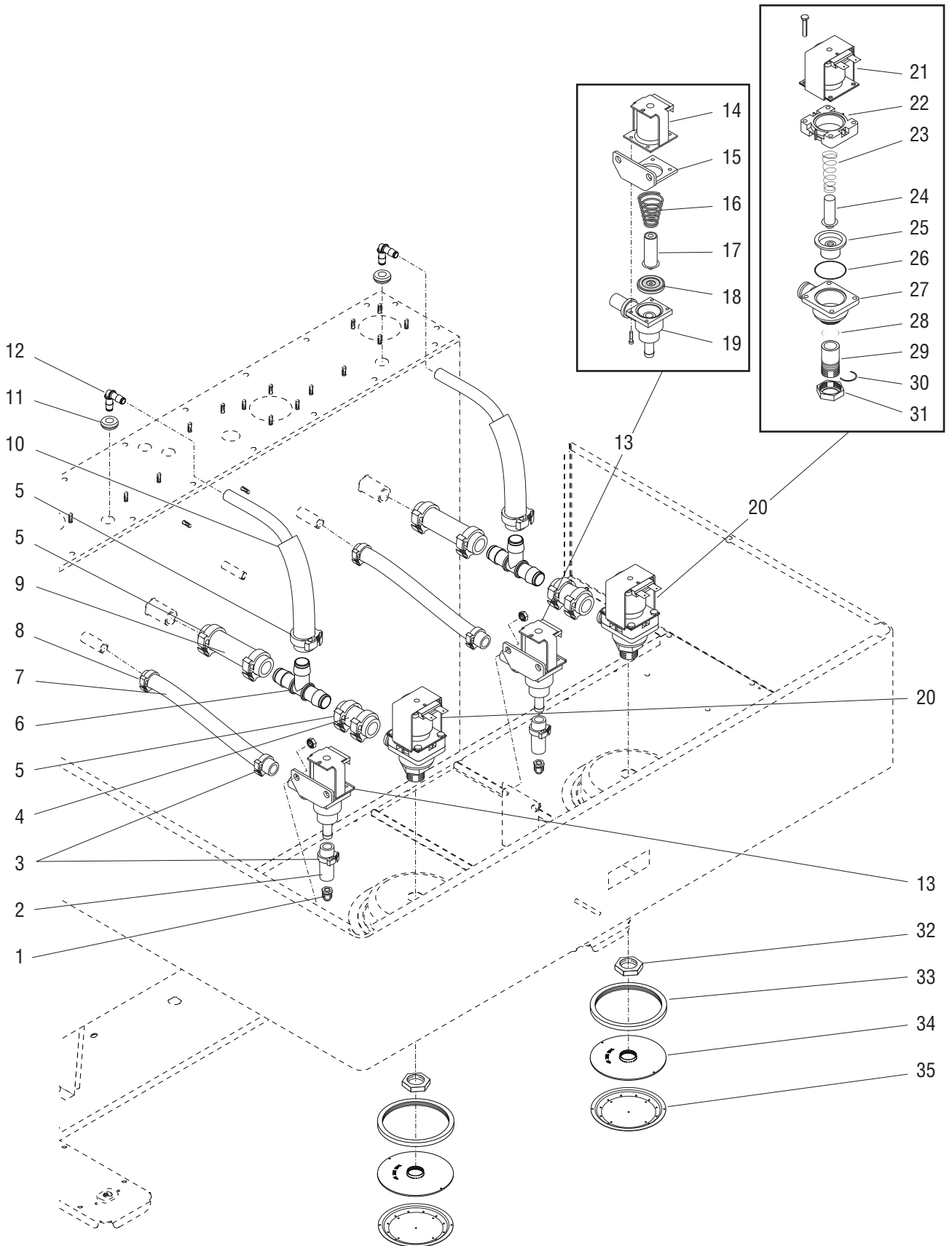
WATER INLET VALVE & LINES

ITEM	PART NO.	QTY.	DESCRIPTION
1	36233.0051	1	Valve, Inlet 110/120V 50/60HZ
	32283.0000	2	Screw ,SST SLTD PNH M4 X 6MM
2	36233.0050	1	Valve, Inlet 220/240V 50/60HZ
	32283.0000	2	Screw ,SST SLTD PNH M4 X 6MM
3	12422.0001	2	Clamp, Hose-Snap Type.59/.66ID
4	20976.0051	1	Tube,Silicone.375 x .625 x 6.00 (order item 26)
5	12418.0001	1	Fitting,SWVL Nut 38 Barb TNPLD
6	40040.0000	1	Fitting, .38 MFLR X .5 MNPT
7	37297.0001	1	Elbow, .38 FLR x .75 HoseThd
8	36378.0001	1	Valve, Check 2.5 PSI
9	20976.0053	1	Tube,Silicone.38ID x .62OD x 8" (order item 26)
10	40040.0000	1	Fitting, .375" Male Flare x .50" MPT (One additional used on Early 230/400V models)
	40809.0000	1	Fitting, Compression .38" Tube x .50" MPT (Late 230/400V models)
11	32359.0000	4	Gasket, .375" Flare Copper
12	12919.0001	1	Cap (For shipping purposes only)
13	36081.0000	1	Union .375" Male Flare
14	00310.0008	1	Tube Assembly, Bulkhead to Supply
15	12756.0000	1	Bulkhead Fitting .375" Flare
16	01514.0000	1	Lockwasher, Internal Tooth .625" I.D.
17	12757.0000	1	Nut, Hex .625" - 20
18	36478.0000	1	Fitting, Flared Union .375" (Early models)
	41498.0001	1	Tube Assy, Bulkhead to Check Valve (Late models)
19	40831.0000	1	Check Valve
20	40892.0000	1	Fitting, 90° Flare .50: MPT
21	40818.0000	1	Tube Assy, Check Valve to Arrester (Includes Flare Nut)
22	40832.0000	1	Mini Rester
23	40817.0000	1	Tube Assy, Arrester to Solenoid Valve (Includes Flare Nut)
24	00929.0001	2	Nut/Sleeve, Compression .38" Tube
25	58907.0000	1	Weldment, Inlet Dual Titan CE
	01315.0000	2	Screw, TRH SLTD SST 8-32x.38
26	20976.1000	--	Tube, Silicone .375" ID x 12.0" (Use as required)
	20976.1001	--	Tube, Silicone .375" ID x 36.0" (Use as required)
	20976.1002	--	Tube, Silicone .375" ID x 120.0" (Use as required)

* Indicates the part number listed is for reference only. See DESCRIPTION for possible service replacement.



SPRAYHEAD VALVE, WATER BY-PASS VALVE & SPRAYHEAD



SPRAYHEAD VALVE, WATER BY-PASS VALVE & SPRAYHEAD

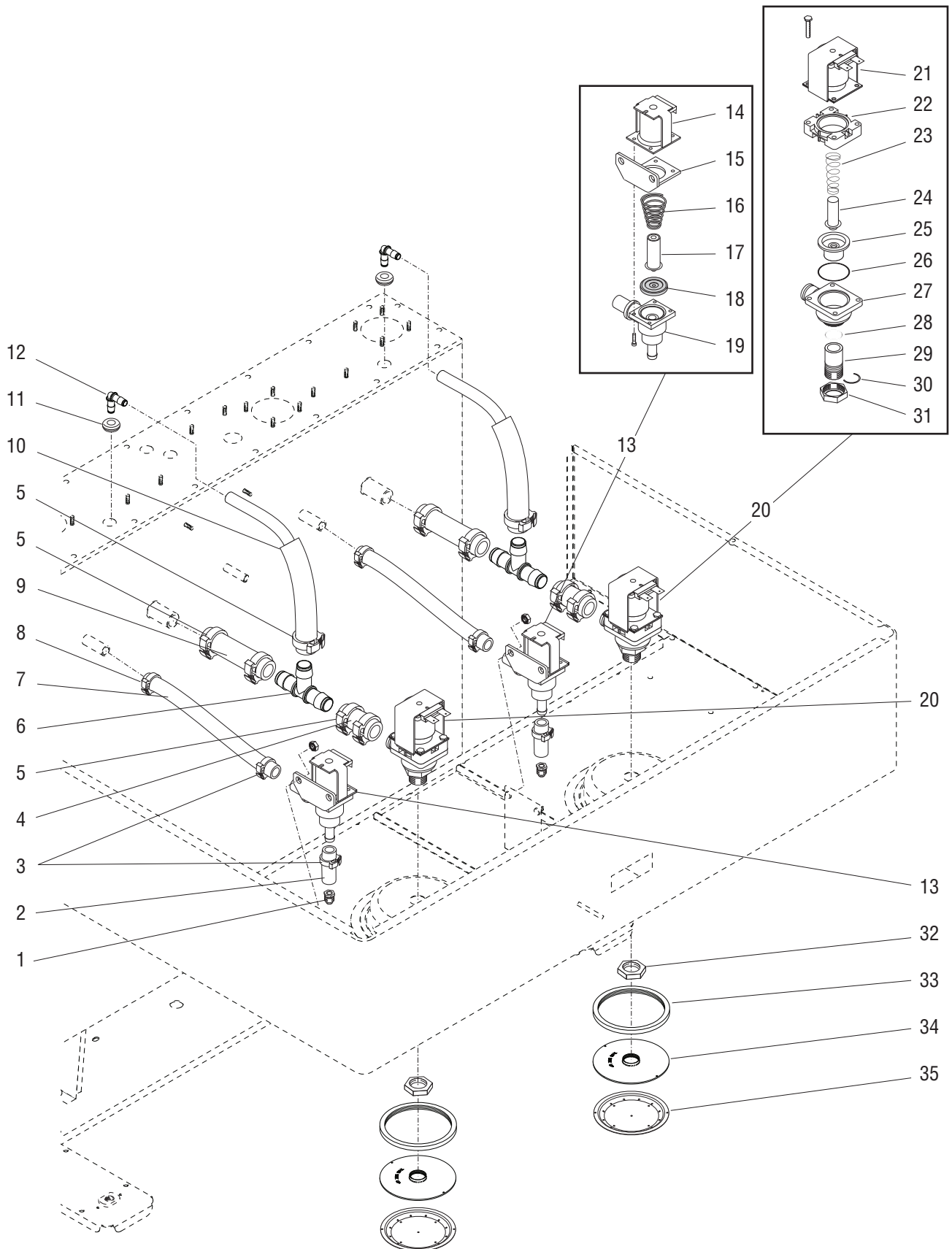
ITEM	PART NO.	QTY.	DESCRIPTION
1	34801.0001	2	Fitting, Bypass Restrictor
2	32591.0003*	2	Tube, Silicone .50" I.D. x .75" O.D. x 1.10" (Order item 36)
3	12422.0005	4	Clamp, Hose .62"/.71" I.D.
4	35052.0004*	2	Tube, Silicone .75" I.D. x 1.0" O.D. x 2.0" (Order item 37)
5	12422.0008	10	Clamp, Hose .93"/1.10" I.D.
6	40349.0000	1	Tee, .75" Barb
7	32591.0018*	1	Tube, Silicone .50" I.D. x .75" O.D. x 7.50" (Order item 36)
8	12422.0005	2	Clamp, Hose .62"/.71" I.D.
9	35052.0010*	2	Tube, Silicone .75" I.D. x 1.0" O.D. x 3.875" (Order item 37)
10	40350.1000	2	Tube Assy, Vent
11	02536.0000	2	Grommet .375" I.D.
12	40348.0000	2	Elbow, .375" Barb.
13	27370.0003	2	Valve Assy, Bypass 120V (Includes items 14 thru 19)
	27370.0005	2	Valve Assy, Bypass 240V (Includes items 14 thru 19)
	00970.0000	4	Nut, Keps #8 - 32
14	-----	1	Coil Assy, Bypass Valve (Not available order item 13)
15	-----	1	Bracket, Mounting (Not available order item 13)
16	-----	1	Spring (Not available order item 38)
17	-----	1	Plunger (Not available order item 38)
18	23255.0000	1	Diaphragm
19	-----	1	Body (Not available order item 13)
20	39978.0000	2	Valve Assy, Sprayhead 120V (Includes items 21 thru 31)
	39978.0001	2	Valve Assy, Sprayhead 240V (Includes items 21 thru 31)
21	40206.0004	1	Coil Assy, Valve 120V
	40181.0001	1	Coil Assy, Valve 240V
	40186.0000	4	Screw, #8 - 32 x 1.0"
22	39925.0000	1	Spacer, Sprayhead Valve
23	40206.0002	1	Spring
24	40206.0003	1	Plunger
25	40206.0001	1	Diaphragm
26	40184.0000	1	O-Ring, 1.50" OD x 1.375" ID x .062"
27	-----	1	Body (Not available order item 20)
28	-----	1	O-Ring

(continued)

* Indicates the part number listed is for reference only. See DESCRIPTION for possible service replacement.



SPRAYHEAD VALVE, WATER BY-PASS VALVE & SPRAYHEAD



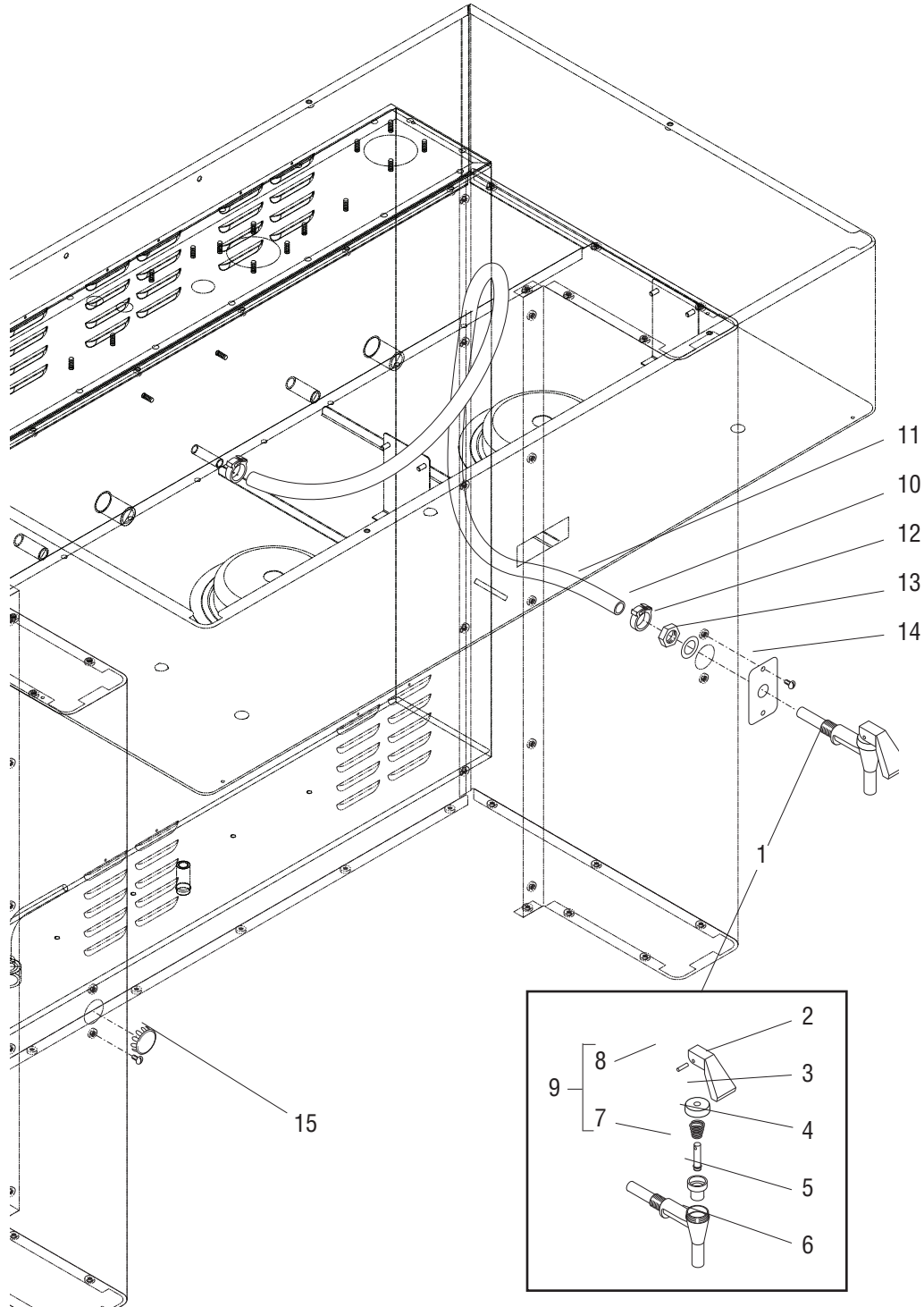
SPRAYHEAD VALVE, WATER BY-PASS VALVE & SPRAYHEAD

ITEM	PART NO.	QTY.	DESCRIPTION
29	39546.0000	1	Fitting, Sprayhead Valve
30	40183.0000	1	C-Ring, Dispense Valve
31	-----	1	Nut, Fitting Retaining (Not available order item 20)
32	00957.0001	2	Nut, Hex .75" - 16
33	34868.0000	2	Seal, Sprayhead
34	35070.0002	2	Sprayhead Back
35	34867.0004	2	Sprayhead
			} Refer to item 40
NOTE: The following parts are not illustrated			
36	32591.1001	1	Tube, Silicone .50" I.D. x .75" O.D. x 12.0"
	32591.1002	1	Tube, Silicone .50" I.D. x .75" O.D. x 36.0"
37	35052.1000	1	Tube, Silicone .75" I.D. x 1.0" O.D. x 12.0"
38	11517.0008	-	Solenoid Valve Repair Kit, Bypass (Includes one each of spring, plunger and diaphragm)
39	40206.0000	-	Solenoid Valve Repair Kit, Sprayhead (Includes items 23, 24, 25, 26, 28, 29 and 30)
40	35308.1008	-	Sprayhead Assy (Includes one each of items 33, 34 and 35)

* Indicates the part number listed is for reference only. See DESCRIPTION for possible service replacement.



FAUCET



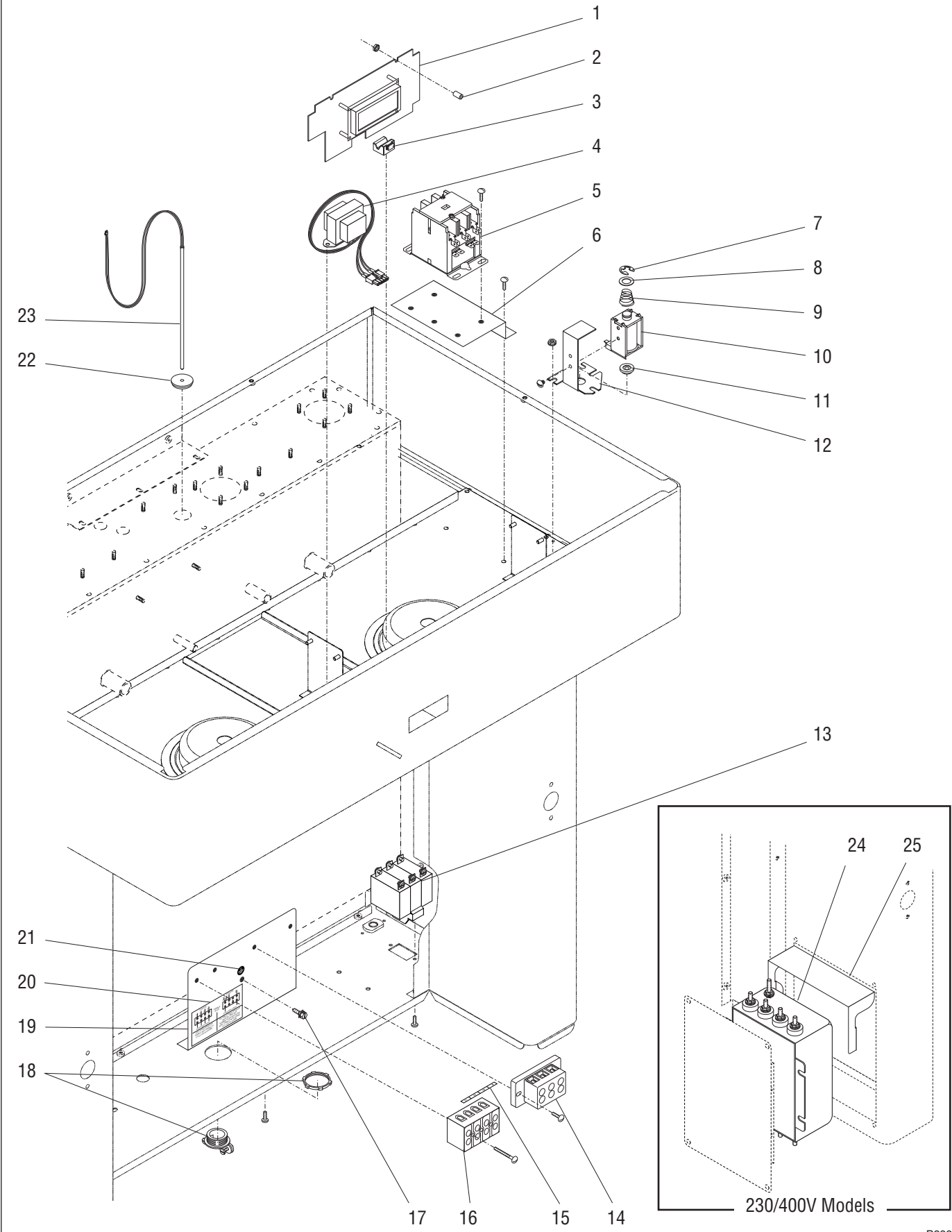
FAUCET

ITEM	PART NO.	QTY.	DESCRIPTION
1	29075.0002	1	Faucet Assy (Includes items 2 thru 8)
2	02861.0003	1	Handle, Faucet
3	02854.0000	1	Bonnet, Faucet
4	02595.0000	1	Spring, Faucet
5	02766.0000	1	Seat Cup, Faucet
6	02856.0009*	1	Body, Faucet (Not available order item 1)
7	13054.0000	1	Stem, Faucet
8	02858.0000	1	Pin, Spring .125" Dia. x .50"
9	02594.0000	1	Faucet Stem W/Pin (Includes items 7 & 8)
10	12422.0001	2	Clamp, Hose .59"/.66" I.D.
11	20976.0071	1	Tube, Silicone .381" I.D. x .42.0" LG
12	29264.0000	1	Nut, Faucet Retaining
13	01532.0005	1	Washer, Intl Tooth .50" Lock
14	39827.0001	1	Plate, Faucet Mounting
	01315.0000	4	Screw, Truss Head #8-32 x .375"
15	00619.0013	1	Plug, Hole 1.25" Dia.
16	28706.0002	-	Faucet Kit (Includes items 2,4 ,5 ,8 & 9)
17	28526.1002	-	Tube, Silicone .313" I.D. x .562" O.D. x 60.0" (Not Illustrated)

* Indicates the part number listed is for reference only. See DESCRIPTION for possible service replacement.



ELECTRICAL CONTROLS



ELECTRICAL CONTROLS

ITEM	PART NO.	QTY.	DESCRIPTION
1	45787.1065	1	Circuit Board, Main control
	00973.0000	2	Nut, Keps #6-32
2	01533.0002	2	Spacer
3	36366.0000	1	Mount, Circuit Board
4	34307.1001	1	Transformer, 10VA 120 to 12V
	34307.1002	1	Transformer, 10VA 230 to 12V
	00970.0000	2	Nut, Keps #8-32
5	38045.0001	1	Contactor, 3-pole 120V
	38045.0000	1	Contactor, 3-pole 208/240V
	02331.0000	4	Screw, Truss Head #10-32 x .375"
6	39535.0000	1	Bracket, Contactor Mounting
	02308.0000	2	Screw, Pan Head #8-32 x .38"
7	39981.0000	2	Ring, Solenoid
9	-----	2	Washer, Nylon .44" ID x .68" OD
9	39982.0000	2	Spring, Solenoid
10	35955.0000	2	Coil, Solenoid, 120V (Includes items 7 thru 9)
	35955.0001	2	Coil, Solenoid, 220V (Includes items 7 thru 9)
	33613.0000	4	Screw, Truss Head #8-32 x .25"
	01519.0000	4	Lockwasher, Split #8
11	35953.0000	2	Guide, Pin
12	38280.0000	2	Bracket, Solenoid
	00970.0000	4	Nut, Keps #8-32
13	38894.0002	1	Switch, Main Power
	01308.0002	2	Screw, Truss Head #6-32 x .25" (Switch Mounting)
	01327.0000	4	Screw, Pan Head #10-32 x .375"
	01512.0000	4	Lockwasher, External Tooth #10
14	07038.0002	1	Terminal Block, 3 Pole BLACK/RED/BLUE (120/208V, 120/240V & 200V models)
	01317.0000	2	Screw, Truss Head #8-32 x .50"
15	34588.0001	1	Decal, Terminal Block (L1-L2-L3-N) (1 additional used on 230/400V models)
16	21869.0000	1	Terminal Block, 4 Pole (One additional used on 230/400V models)
	38030.0000	2	Screw, FilisterHead #8 - 32 x 1.25" (2 additional used on 230/400V models)
17	01309.0000	1	Ground Screw W/Terminal Washer #10-32 x .50"
18	01590.0002	1	Connector, Cable
19	39538.1000	1	Bracket W/Decals, Terminal Block Mtg (120/208 & 120/240V models)
	39538.1001	1	Bracket W/Decals, Terminal Block Mtg (230/400V models)
	01317.0000	2	Screw, Truss Head #8-32 x .50"
	01541.0000	2	Washer, Flat .219" ID x 1.0" OD
20	37947.0002	1	Decal, Field Wiring (120/208 & 120/240V models)
	37947.0003	1	Decal, Field Wiring (230/400V models)
21	00824.0002	1	Decal, Ground

Also see item 33

} Terminals

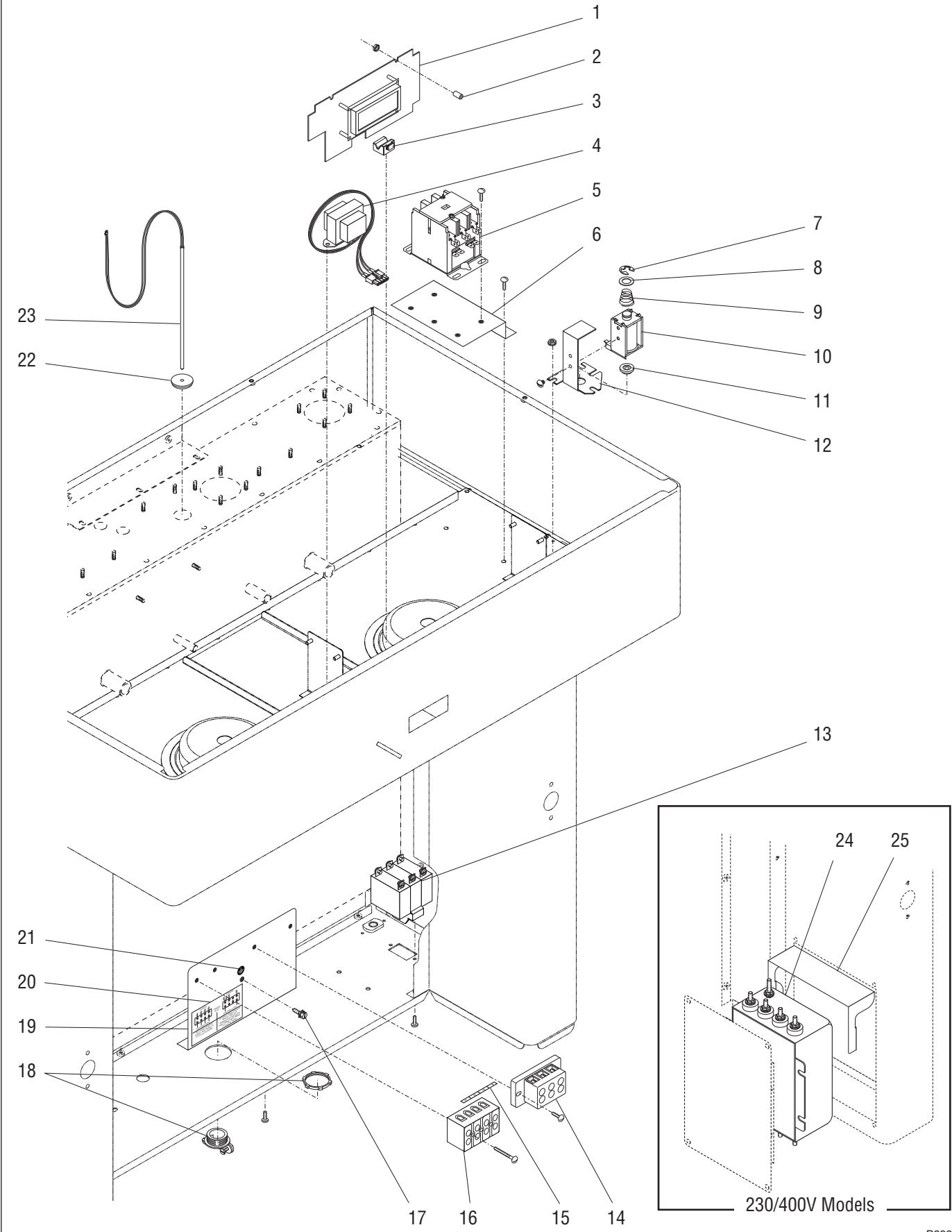
} Includes items 20 & 21

(Continued)

* Indicates the part number listed is for reference only. See DESCRIPTION for possible service replacement.



ELECTRICAL CONTROLS



P3882

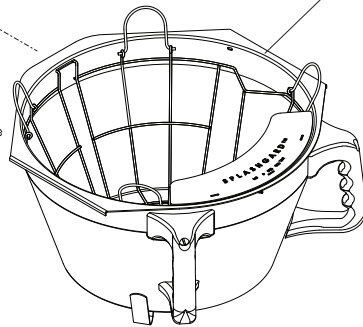
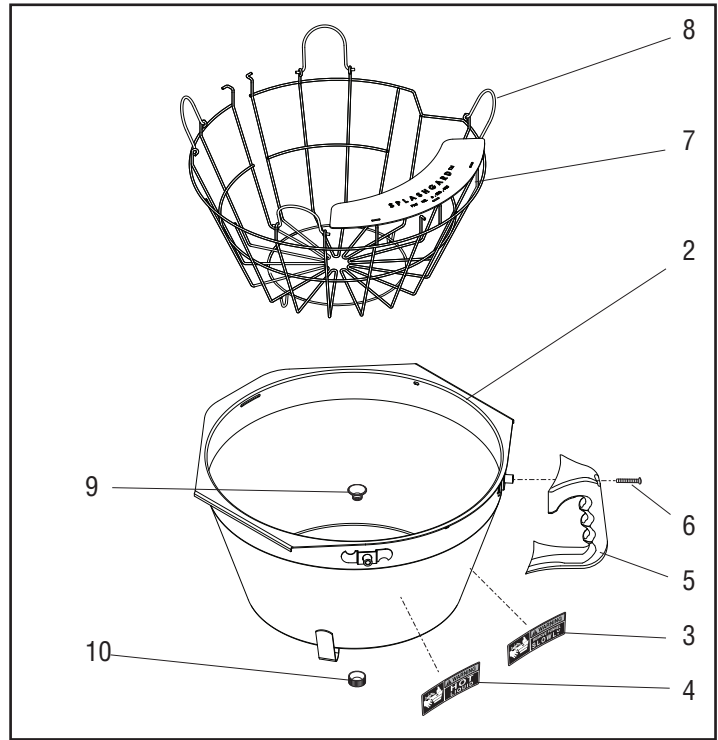
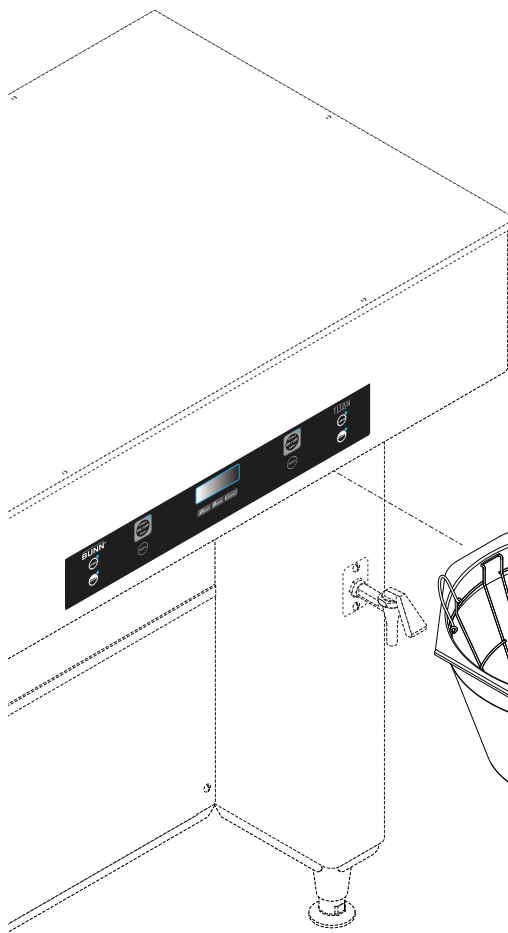
ELECTRICAL CONTROLS

ITEM	PART NO.	QTY.	DESCRIPTION
22	12570.0000	1	Grommet, Temperature Sensor
23	40286.0000	1	Probe Kit, Temperature/Dry Plug
24	29446.0005	1	EMI Filter, European 36 amp 3 Phase
	02331.0000	4	Screw, Truss Head #10 - 32 x .38"
25	41539.0000	1	Guard, EMI Filter
NOTE: The following items are not illustrated			
26	39949.0000	1	Wiring Harness, Heater Return (120/208 & 120/240V models)
	39949.0001	1	Wiring Harness, Heater Return (230/400V models)
27	39950.0000	1	Wiring Harness, Contactor-Out
28	39953.0000	1	Wiring Harness, Main
29	39952.0000	1	Wiring Harness, Liquid Level
30	37859.0012	1	Wiring Harness, Main Power Sw. to Terminal Blocks (120/208 & 120/240V models)
	37859.0007	1	Wiring Harness, Main Power Sw. to EMI Filter
	37859.0008	1	Wiring Harness, Terminal Block to Main Power Sw. } 230/400V models
	34707.0007	1	Wiring Harness, EMI Filter to Terminal Block
	37859.0009	1	Wiring Harness, Terminal Block to Main Power Sw. } 200V models
	34707.0008	1	Wiring Harness, EMI Filter to Terminal Block
31	39951.0002	1	Wiring Harness, Terminal Block/Contactor
32	34808.0002	1	Capacitor Assy, EMI Filter
33	35952.1003	-	Solenoid Assy, Funnel Lock 120V (Includes items 7 thru 12)

* Indicates the part number listed is for reference only. See DESCRIPTION for possible service replacement.



FUNNEL



FUNNEL

ITEM	PART NO.	QTY.	DESCRIPTION
1	40114.0000	2	Funnel Assy, SST (Each includes Items 2 thru 9)
2	39358.1002	1	Funnel W/Decals (Includes items 3 & 4)
3	03408.0004	1	Decal, Caution-Remove Funnel
4	03409.0004	1	Decal, Caution-Hot Liquid
5	43028.1000	2	Handle, Funnel-Black (Includes item 6)
6	12499.0002	2	Screw, Round Head .BLK 25" - 20 x 1.5"
7	39372.0001	1	Filter Basket w/Splash Guard
8	39359.0002	4	T-Ring, Funnel Basket (Refer to item 12)
9	32139.0000	1	Insert, Funnel Tip - Male (Refer to item 11)
10	32140.0000	1	Insert, Funnel Tip - Female (Refer to item 11)
11	01031.0001	-	Funnel Tip Kit (Includes items 9 & 10)
12	39359.1002	-	T-Ring Kit (Includes 4 of item 8)

NUMERICAL INDEX

PART NO.	PAGE NO.	PART NO.	PAGE NO.	PART NO.	PAGE NO.	PART NO.	PAGE NO.
00310.0008	11	12422.0000	7	35952.1003	21	39978.0000	13
00619.0013	17	12422.0001	17	35953.0000	19	39978.0001	13
00656.0001	5	12422.0005	9,13	35955.0000	19	39981.0000	19
00658.0000	5	12422.0008	13	35955.0001	19	39982.0000	19
00824.0002	19	12422.0009	13	36081.0000	11	39990.0000	9
00908.0000	7,9	12499.0002	23	36085.0000	11	40040.0000	11
00929.0001	11	12559.0003	5	36366.0000	19	40041.0000	5
00946.0000	7	12570.0000	21	36478.0000	11	40042.0000	5
00957.0001	15	12756.0000	11	37859.0007	21	40114.0000	23
00970.0000	13,19	12757.0000	11	37859.0008	21	40171.0000	11
00971.0000	7,9	12919.0001	11	37859.0009	21	40181.0001	13
00973.0000	19	13054.0000	17	37859.0012	21	40183.0000	15
00986.0000	5	20203.0100	7	37881.0000	5	40184.0000	13
01031.0001	23	20936.1000	7	37947.0002	19	40186.0000	13
01308.0002	19	20976.0071	17	37947.0003	19	40206.0000	15
01309.0000	19	21801.0002	7	38030.0000	19	40206.0001	13
01315.0000	5,11,17	21869.0000	19	38045.0000	19	40206.0002	13
01315.0005	5	22728.0000	7	38045.0001	19	40206.0003	13
01317.0000	19	23255.0000	13	38280.0000	19	40206.0004	13
01317.0003	9,19	23717.0003	7	38894.0002	19	40286.0000	21
01501.0000	7	25151.0000	5	39358.1002	23	40348.0000	13
01512.0000	19	26622.0001	7	39359.0002	23	40349.0000	13
01514.0000	11	27370.0003	13	39359.1002	23	40350.1000	13
01519.0000	19	27370.0005	13	39372.0001	23	40507.0000	11
01527.0000	7	27473.0000	7	39512.0005	5	40507.0002	11
01532.0005	17	28526.1002	17	39514.1000	5	40809.0000	11
01533.0002	19	28706.0002	17	39516.1000	5	40817.0000	11
01541.0000	19	29075.0002	17	39516.1001	5	40818.0000	11
01590.0002	19	29264.0000	17	39518.1000	5	40831.0000	11
01592.0001	9	29446.0005	21	39518.1001	5	40832.0000	11
02308.0000	5,11	29710.0015	5	39518.1002	5	40886.1000	5
02331.0000	19,21	29710.0019	5	39520.0000	5	40892.0000	11
02434.0010	7	29710.0020	5	39521.1000	5	41096.0000	5
02434.1000	7	32139.0000	23	39530.1001	5	41259.1003	7
02536.0000	7,13	32140.0000	23	39535.0000	19	41266.0000	7
02594.0000	17	32359.0000	11	39536.0000	11	41280.0001	7
02595.0000	17	32591.0003	13	39538.1000	19	41498.0001	11
02766.0000	17	32591.0011	9	39538.1001	19	41539.0000	21
02854.0000	17	32591.0018	13	39540.0000	9	43028.1000	23
02856.0009	17	32591.1001	15	39544.0000	5	45787.1065	19
02858.0000	17	32591.1002	9,15	39545.0000	9	M2517.0000	11
02861.0003	17	33613.0000	19	39546.0000	15		
03236.0027	7	34307.1001	19	39548.0000	9		
03236.1001	7	34307.1002	19	39618.1001	9		
03236.1002	7	34588.0001	19	39803.0000	5		
03236.1003	7	34707.0007	21	39827.0001	17		
03408.0004	23	34707.0008	21	39884.1001	5		
03409.0004	23	34768.0001	11	39925.0000	13		
03633.0000	7	34801.0001	13	39949.0000	21		
03803.0002	7	34808.0002	21	39949.0001	21		
03807.0000	7	34867.0004	15	39950.0000	21		
04797.0000	7	34868.0000	15	39951.0002	21		
07038.0002	19	35052.0004	13	39952.0000	21		
11517.0008	15	35052.0010	13	39953.0000	21		
11630.0002	9	35052.1000	15	39965.0000	11		
12305.1000	7	35070.0002	15	39972.0000	5		
12322.1000	7	35086.0000	9	39972.0001	5		
12398.0002	7	35308.1008	15	39972.0002	5		