

ILLUSTRATED PARTS CATALOG

Designs, materials, weights, specifications, and dimensions for equipment or replacement parts are subject to change without notice.

Bunn-O-Matic Corporation

Post Office Box 3227, Springfield, Illinois 62708-3227

Phone (217) 529-6601 | Fax (217) 529-6644

BUNN-O-MATIC COMMERCIAL PRODUCT WARRANTY

Warranty statements and information can be found on our website. Please visit <https://commercial.bunn.com/support/warranty-lookup> for further details.

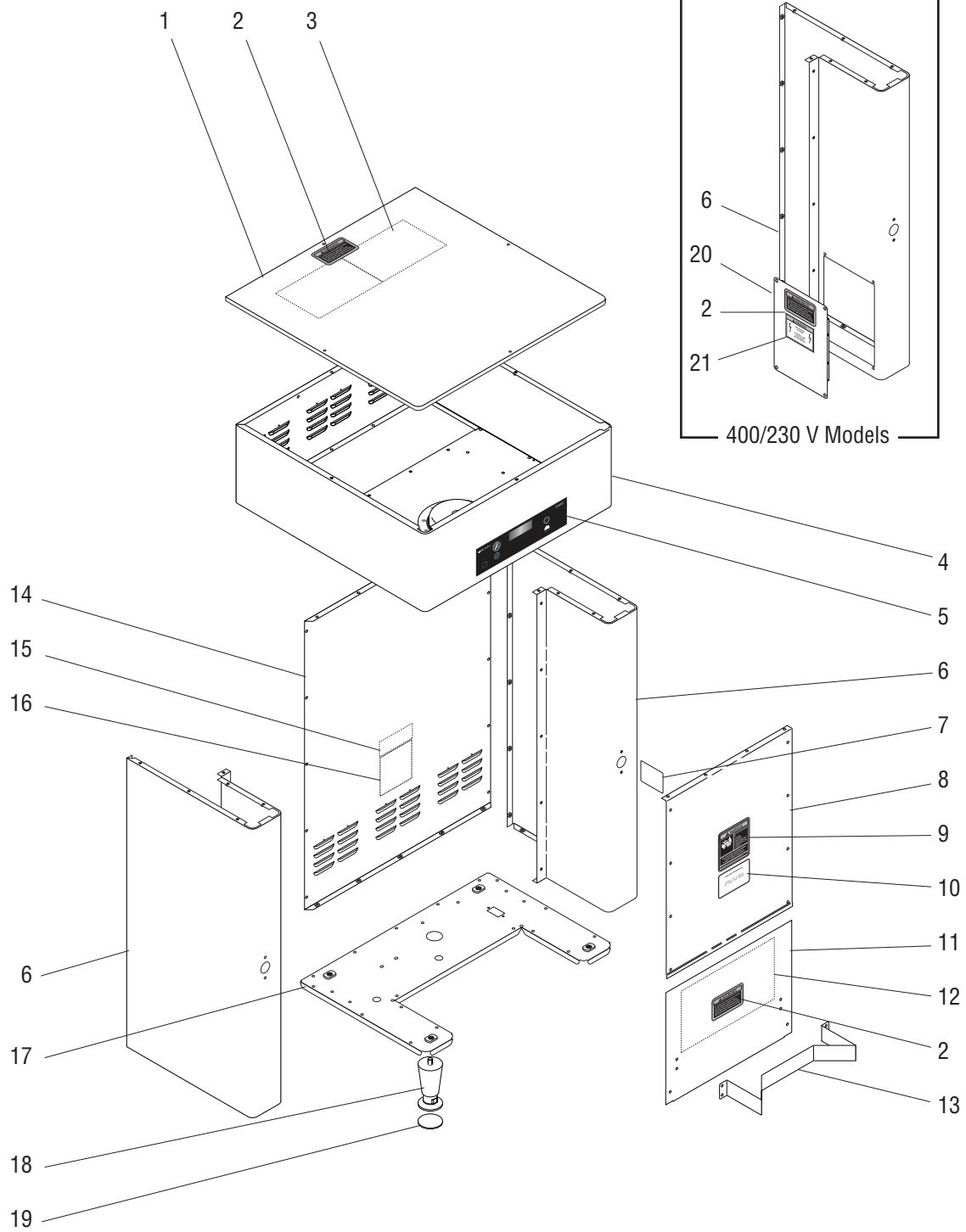
TABLE OF CONTENTS

Base - Trunk - Hood - Covers & Panels	4
Electrical Controls	18
Faucet.....	16
Funnel.....	22
Numerical Index	24
Sprayhead Valve, Water By-Pass Valve and Sprayhead.....	12
Tank and Mounting Brackets	8
Tank Heater & Overflow Protection Devices	6
Water Inlet Valve & Lines	10



BASE - TRUNK - HOOD - COVERS & PANELS

TITAN SINGLE



BASE - TRUNK - HOOD - COVERS & PANELS

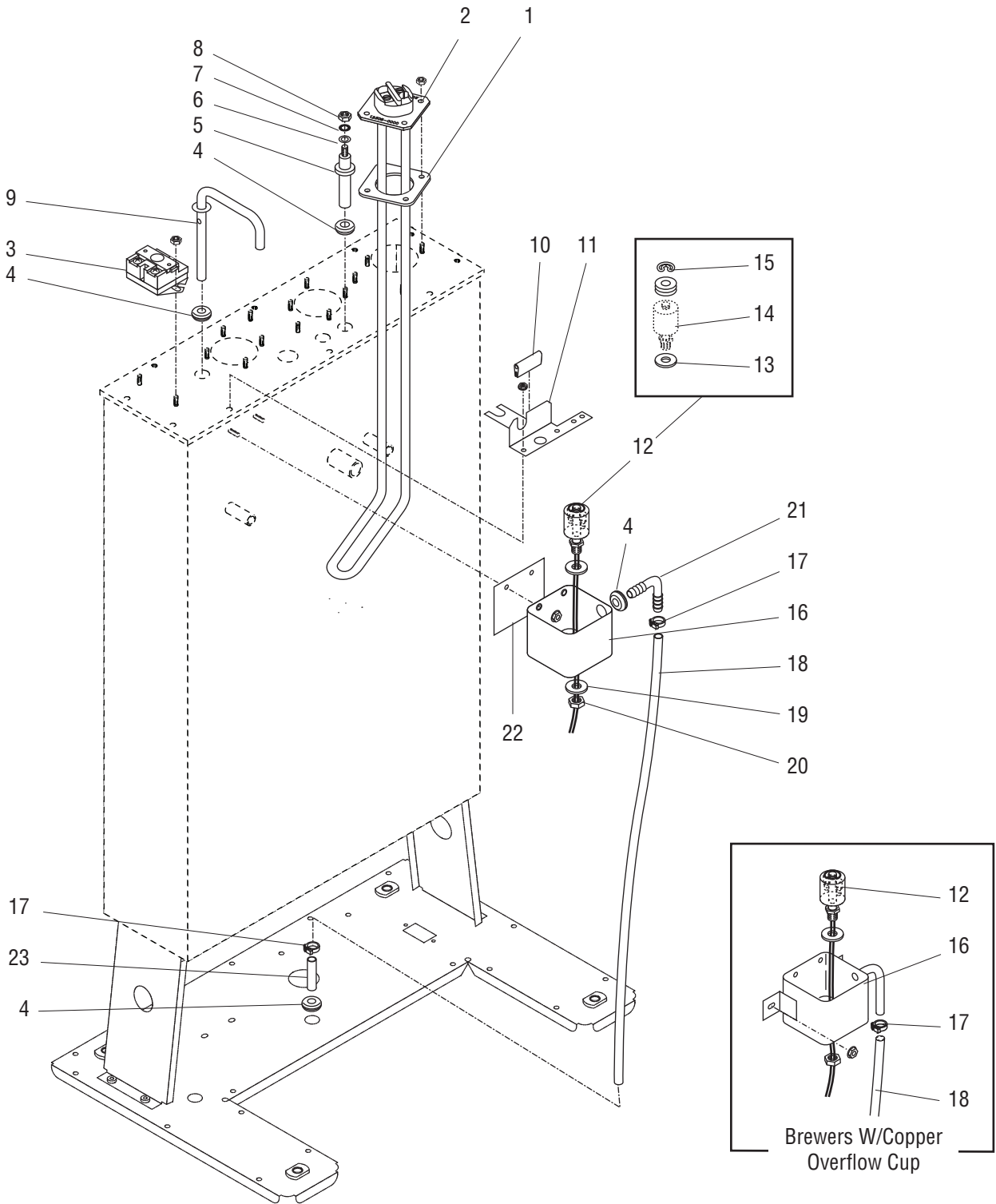
ITEM	PART NO.	QTY.	DESCRIPTION
1	40644.1001 01315.0005	1 4	Cover Assy, Top BLK (Includes item 2 & 3) Screw, Truss Head BLK #8 - 32 x .38"
2	37881.0000	3	Decal, "No Serviceable Parts"
3	25151.0000	2	Shield, Insulator
4	40643.1001 02308.0000	1 21	Hood SST (Includes item 5) Screw, Pan Head #8 - 32 x .375"
5	40750.0002	1	Switch, Membrane
6	39516.1000 39516.1001	2 1	Panel W/Decal, Trunk Side (Includes item 7) (1 less used on 230/400V models) Panel W/Decal, Trunk Right Side (Includes item 7) (230/400V models)
7	39803.0000	1	Decal, Main Power Switch
8	40635.1000 40635.1001 01315.0000	1 1 6	Panel W/Decals, Trunk SST (Includes items 9 & 10) (120/208V models) Panel W/Decals, Trunk SST (Includes items 9 & 10) (230/400V models) Screw, Truss Head #8 - 32 x .375"
9	00658.0000	1	Decal, Caution - Decanter/Funnel
10	29710.0015 29710.0027	1 1	Decal, Optional Field Wiring (120/208V models) Decal, Optional Field Wiring (230/400V models)
11	40637.1000 01315.0000	1 2	Panel W/Decal, Trunk SST (Includes item 2) Screw, Truss Head #8 - 32 x .375"
12	40123.0003 40123.0004	1 1	Schematic, 3 Phase/1 Phase (120/208 & 120/240V models) Schematic, 3 Phase/1 Phase (230/400V models)
13	39520.0000 01315.0000	1 4	Bracket, Server Stop Screw, Truss Head #8 - 32 x .375"
14	40633.1000	1	Panel W/Decals, Trunk Rear (Includes items 15 & 16)
15	00986.0000	1	Decal, Warning - Electrical
16	00656.0001	1	Decal, Comply to Plumbing Code
17	40623.0002* 02308.0000	1 17	Base Plate Screw, Pan Head #8 - 32 x .375"
18	40041.0000	4	Leg, Nickel Plated
19	40042.0000	4	Pad, Anti Skid
20	40886.1000 41096.0000	1 4	Panel, Access EMI Filter (230/400V models only) (Includes items 2 and 21) Screw, Pin in Torx Head #8 - 32 x .375"
21	12559.0003	1	Decal, "Warning Hazardous Voltage"

* Indicates the part number listed is for reference only. See DESCRIPTION for possible service replacement.



TANK HEATER & OVERFLOW PROTECTION DEVICES

TITAN SINGLE



TANK HEATER & OVERFLOW PROTECTION DEVICES

ITEM	PART NO.	QTY.	DESCRIPTION
1	12398.0002	3	Gasket, Tank Heater
2	12305.1000	3	Tank Heater, 4000W @ 208V (Includes item 1)
	12322.1000	3	Tank Heater, 4000W @ 240V (Includes item 1)
	00908.0000	12	Nut, Hex #8 - 32
3	23717.0003	3	Thermostat, Limit
	00908.0000	6	Nut, Hex #8 - 32
4	02536.0000	3	Grommet .375" I.D.
5	20936.1000	1	Probe Kit (Includes items 6, 7 & 8)
6	01501.0000	1	Washer .164" I.D. x .375" O.D.
7	20203.0100	1	Lockwasher, Internal Tooth #8
8	00908.0000	1	Nut, Hex #8 - 32
9	26622.0001	1	Tube Assy, Vent
10	02434.0010*	1	U-Channel 2.0" (Order item 24)
11	27473.0000	1	Bracket, Overflow Cup Mounting
12	03803.0002	1	Switch Assy, Liquid Level (Includes items 13, 14 & 15)
	04797.0000	1	Washer, Celcon .520" I.D. x 1.0" O.D.
	00946.0000	1	Nut, Hex .125" FPT
13	03633.0000	1	Gasket, Float Switch
14	01527.0000*	3	Washer, Adjusting (DO NOT USE IN THIS APPLICATION)
15	03807.0000	1	Clip, Spring
16	22728.0000	1	Overflow Cup Assy Copper (Second type) (Also replaces aluminum cup)
	41259.1003	1	Kit, Overflow Cup (Aluminum) (Includes items 4,19, 21 & 22)
	00971.0000	2	Nut, Keps #10-32
17	12422.0000	2	Clamp, Hose .47"/.54" I.D.
18	03236.0029*	1	Tube, Silicone .312" I.D. x 30.0" (Order item 25)
19	04797.0000	1	Washer, Celcon .520" I.D. x 1.0" O.D.
20	00946.0000	1	Nut, Hex .125" FPT
21	41280.0001	1	Elbow,.375" Multi Barb
22	41266.0000	1	Film, Insulating
23	21801.0002	1	Tube .375" O.D.
24	02434.1000	-	U-Channel 18.0" (Use as required)
25	03236.1001	-	Tube, Silicone .312" I.D. x 36.0"
	03236.1003	-	Tube, Silicone .312" I.D. x 60.0"
	03236.1002	-	Tube, Silicone .312" I.D. x 120.0"

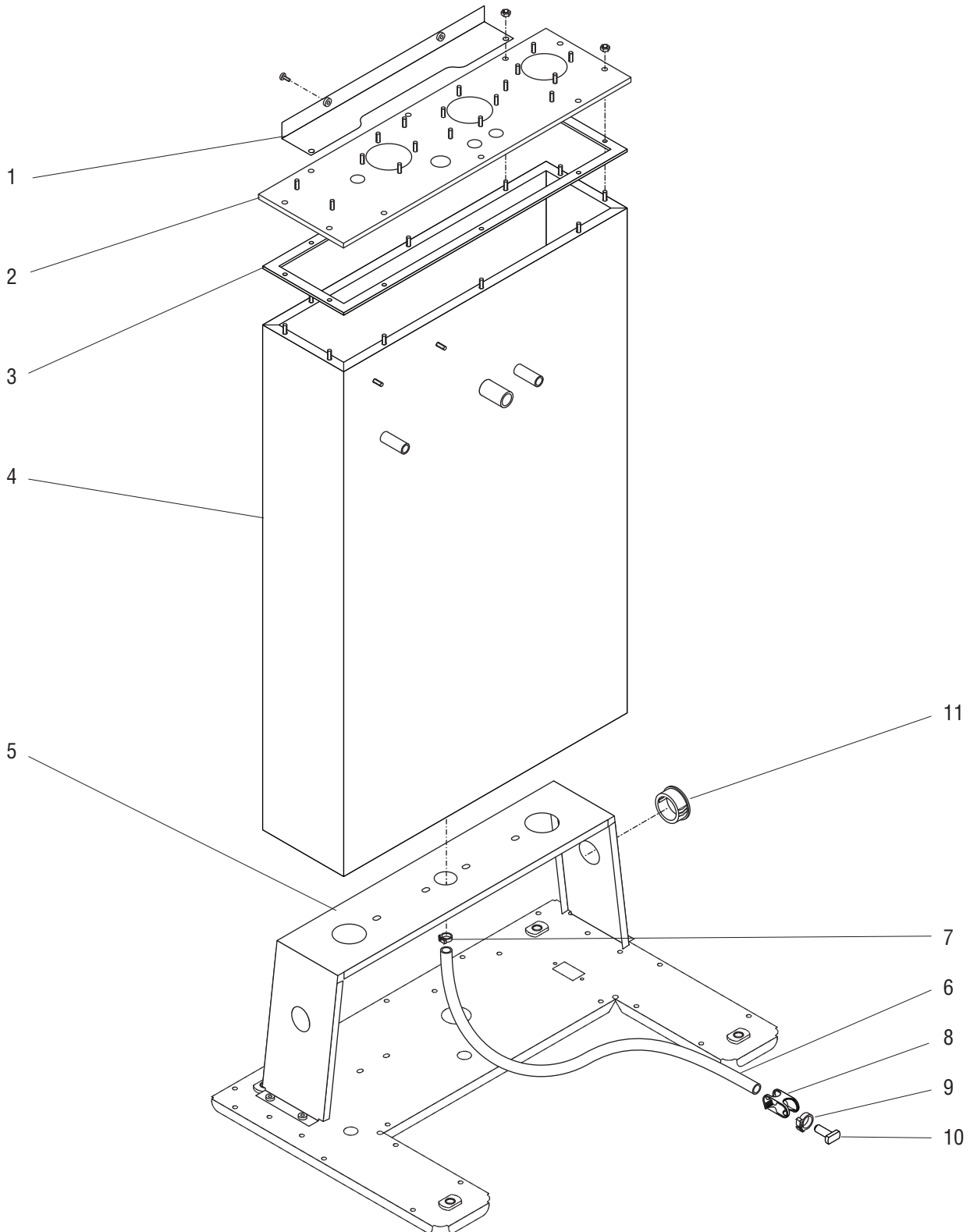
} Not illustrated

* Indicates the part number listed is for reference only. See DESCRIPTION for possible service replacement.



TANK AND MOUNTING BRACKETS

TITAN SINGLE



P3959

TANK AND MOUNTING BRACKETS

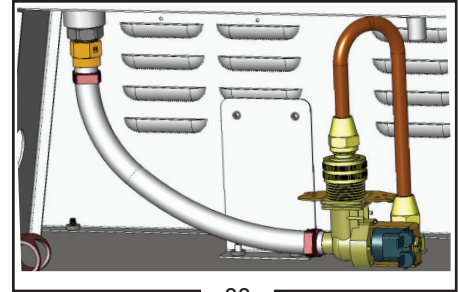
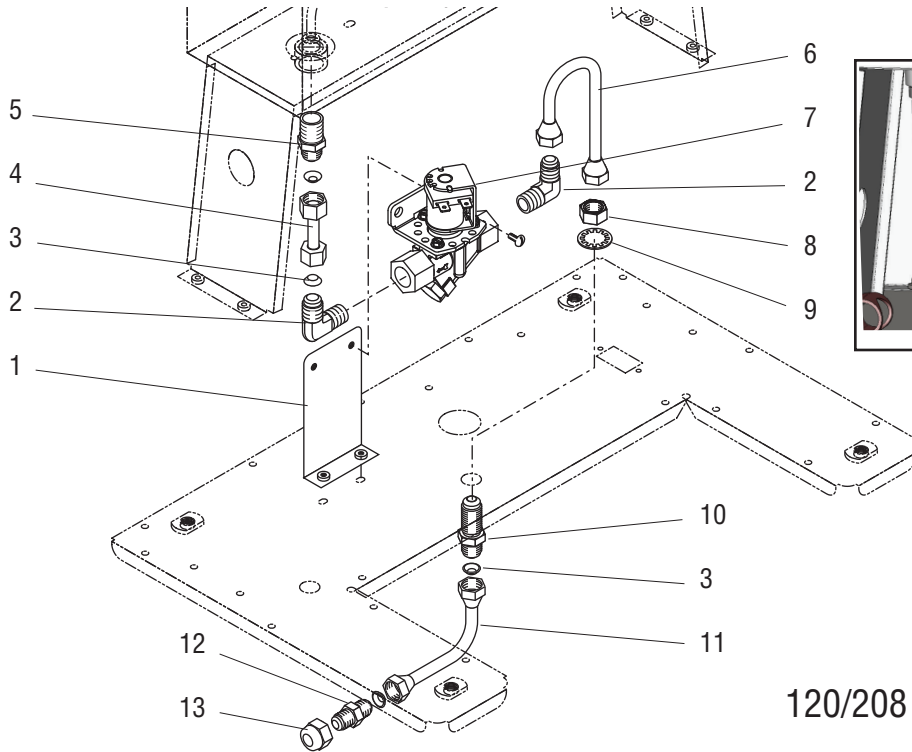
ITEM	PART NO.	QTY.	DESCRIPTION
1	40631.0000	1	Bracket, Tank Support (Top)
	01317.0003	2	Screw, Truss Head LKG #8 - 32 x .375"
	00908.0000	3	Nut, Hex #8 - 32
2	40629.0000	1	Lid, Tank
	00908.0000	16	Nut, Hex #8 - 32
3	40627.0000	1	Gasket, Tank
4	40626.1001	1	Tank
5	40625.0000	1	Bracket, Tank Mounting (Bottom)
	00971.0000	4	Nut, Keps #10-32
6	32591.1002	1	Tube, Silicone .50" I.D. x .75" O.D. x 36.0"
7	29421.0000	1	Clamp, Hose-Worm Drive .625"/.75"
8	11630.0002	1	Clamp Shut Off, Tube
9	12422.0005	1	Clamp, Hose - Snap Type .62/.71 I.D.
10	35086.0000	1	Plug, .50" I.D. Hose
11	01592.0001	1	Bushing, 1.188" Dia.

* Indicates the part number listed is for reference only. See DESCRIPTION for possible service replacement.

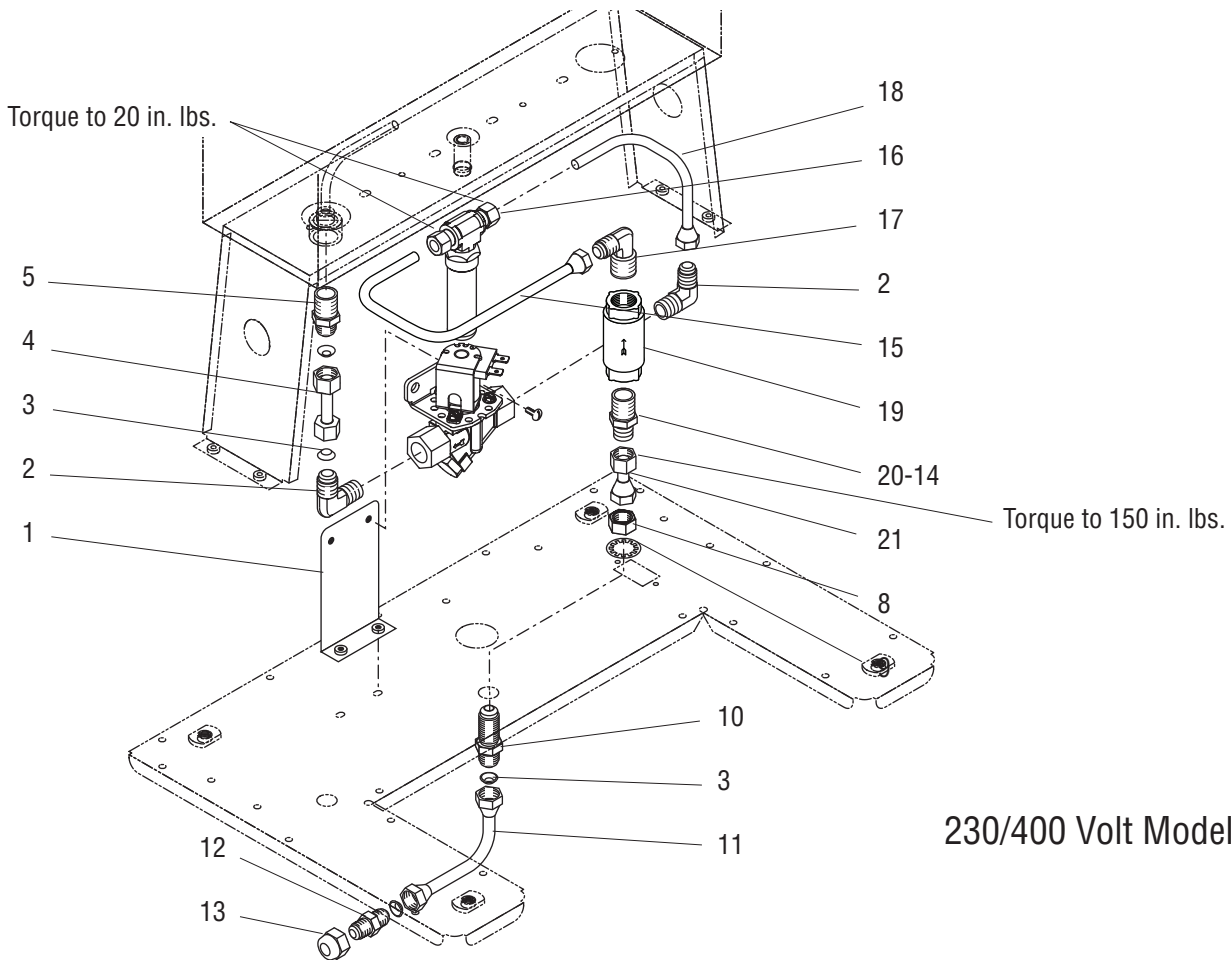


WATER INLET VALVE & LINES (EARLY STYLE)

TITAN SINGLE



120/208 & 120/240 Volt Models



230/400 Volt Models

WATER INLET VALVE & LINES

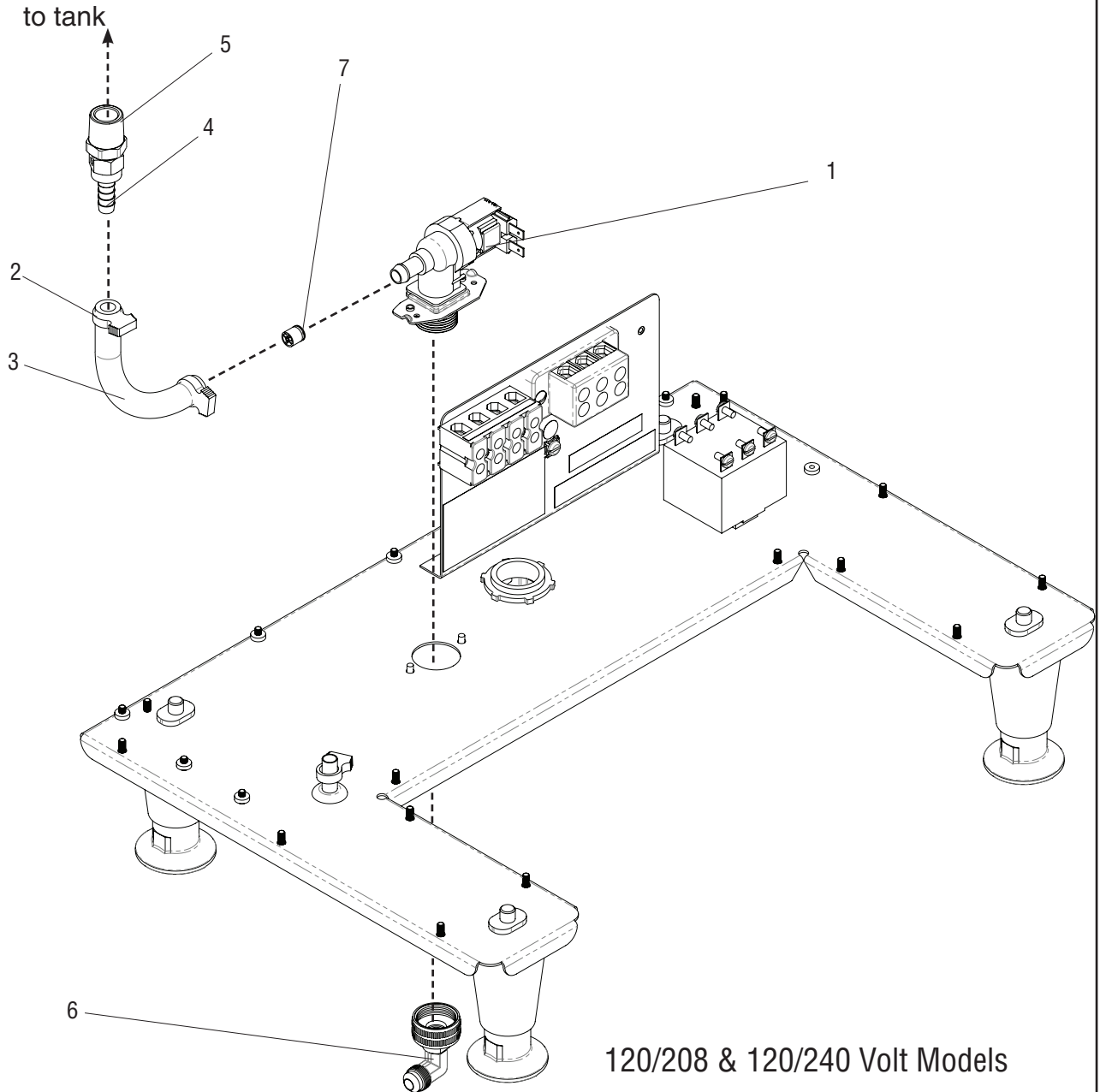
ITEM	PART NO.	QTY.	DESCRIPTION
1	39536.0000	1	Bracket, Solenoid Mounting
	02308.0000	2	Screw, Pan Head #8 - 32 x .375"
2	34768.0001	2	Elbow, Male .375" Flare x .125" MPT
3	32359.0000	4	Gasket, .375" Flare Copper
4	41468.0000	1	Tube Assembly, Solenoid to Tank .38" O.D.
5	40040.0000	1	Fitting, .38" MFLR x .50"MNPT
6	40171.0000	1	Tube Assy, Bulkhead to Solenoid
7	40507.0001	1	Solenoid Valve Assy, 120V (Order item 22)
	40507.0003	1	Solenoid Valve Assy, 240V (Includes item 2)
	01315.0000	2	Screw, Truss Head #8 - 32 x .375"
8	12757.0000	1	Nut, Hex .625" - 20
9	01514.0000	1	Lockwasher, Internal Tooth .625" I.D.
10	12756.0000	1	Bulkhead Fitting .375" Flare
11	00310.0008	1	Tube Assembly, Bulkhead to Supply
12	36081.0000	1	Union .375" Male Flare
13	12919.0001	1	Cap (For shipping purposes only)
14	00929.0001	1	Nut/Sleeve, Compression .38" Tube
15	41260.0000	1	Tube Assy
16	40832.0000	1	Mini Rester
17	40892.0000	1	Fitting, 90° FLR x .50" NPT
18	41339.0000	1	Tube Assy, Check Valve to Arrester
19	40831.0000	1	Check Valve
20	40809.0000	1	Fitting, Compression .38" x .50M
21	41498.0001	1	Tube Assembly, Bulkhead to Check Valve
22	58934.1000	1	Kit, Solenoid Replacement SNGL TITAN 120V
	36233.0052	1	Valve, Inlet 110/120V 50/60HZ
	12418.0001	1	Fitting,SWVL Nut.38BARB TNPLD
	07111.0000	1	Fitting,.38FLR X .75 HOSE THD
	12422.0001	2	Clamp, Hose-Snap Type.59/.66ID
	20976.0045	1	Tube,Silicone-.38ID x .62 x 6.5LG
	36378.0001	1	Valve, Check 2.5 PSI

* Indicates the part number listed is for reference only. See DESCRIPTION for possible service replacement.



WATER INLET VALVE & LINES (LATE STYLE)

TITAN SINGLE



WATER INLET VALVE & LINES

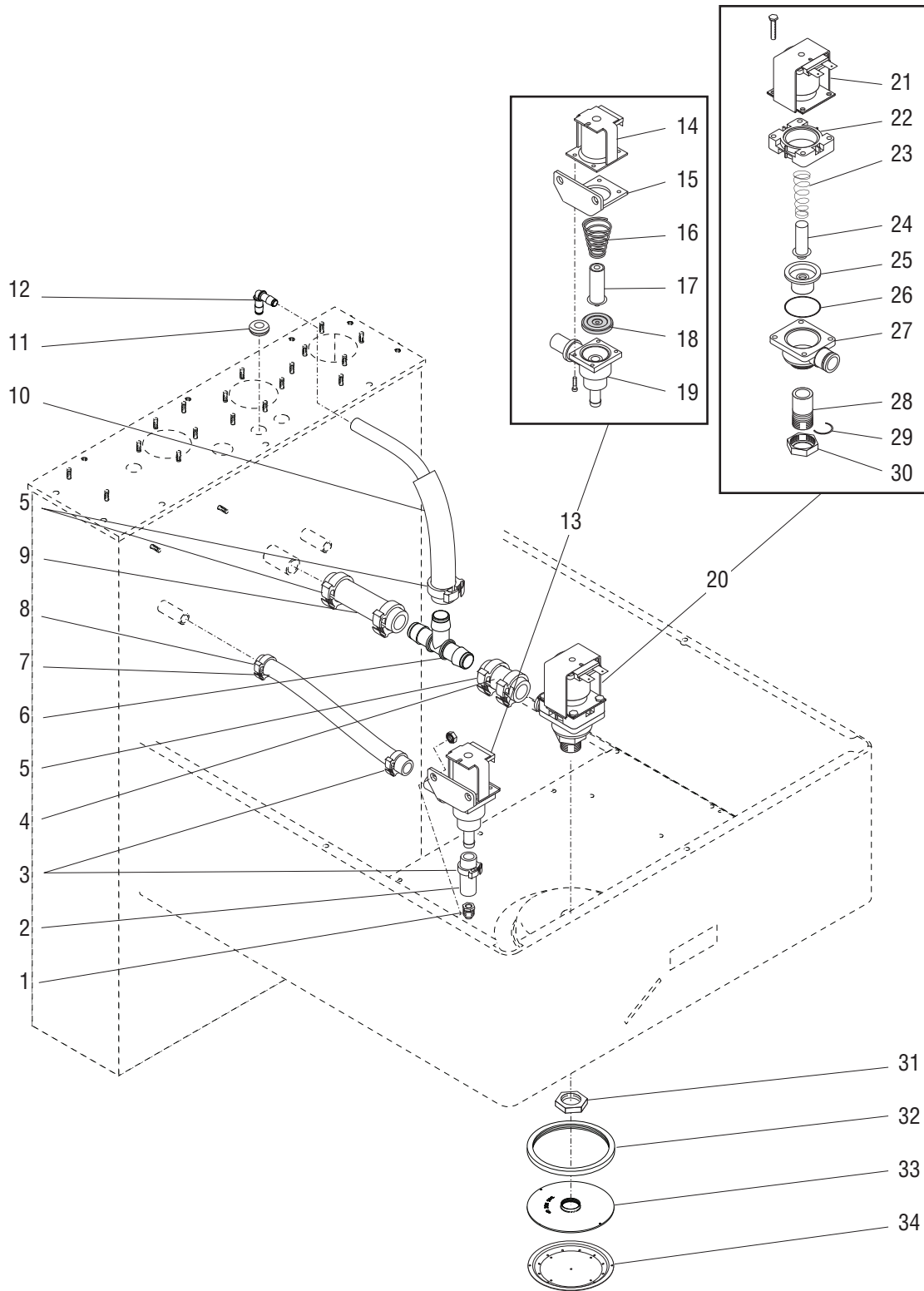
ITEM	PART NO.	QTY.	DESCRIPTION
1	36233.0051 02308.0000	1	Valve, Inlet 110/120V 50/60HZ
2	12422.0001	2	Clamp, Hose-Snap Type.59/.66ID
3	20976.0051	1	Tube,Silicone.375 x .625 x 6.00 (order item 7)
4	12418.0001	1	Fitting,SWVL Nut 38 Barb TNPLD
5	40040.0000	1	Fitting, .38 MFLR X .5 MNPT
6	37297.0001	1	Elbow, .38 FLR x .75 HoseThd
7	36378.0001	1	Valve, Check 2.5 PSI
8	20976.1000	--	Tube, Silicone .375" ID x 12.0" (Use as required)
	20976.1001	--	Tube, Silicone .375" ID x 36.0" (Use as required)
	20976.1002	--	Tube, Silicone .375" ID x 120.0" (Use as required)

* Indicates the part number listed is for reference only. See DESCRIPTION for possible service replacement.



SPRAYHEAD VALVE, WATER BY-PASS VALVE & SPRAYHEAD

TITAN SINGLE



SPRAYHEAD VALVE, WATER BY-PASS VALVE & SPRAYHEAD

ITEM	PART NO.	QTY.	DESCRIPTION
1	34801.0001	1	Fitting, Bypass Restrictor
2	32591.0003*	1	Tube, Silicone .50" I.D. x .75" O.D. x 1.10" (Order item 35)
3	12422.0009	2	Clamp, Hose Snap .71/.80ID
4	35052.0004*	1	Tube, Silicone .75" I.D. x 1.0" O.D. x2.0" (Order item 36)
5	12422.0008	5	Clamp, Hose .93"/1.10" I.D.
6	40349.0000	1	Tee, .75" Barb
7	32591.0018*	1	Tube, Silicone .50" I.D. x .75" O.D. x 7.50" (Order item 35)
8	12422.0005	1	Clamp, Hose-Snap Type .62/.71ID
9	35052.0010*	1	Tube, Silicone .75" I.D. x 1.0" O.D. x 3.875" (Order item 36)
10	40350.0000	1	Tube Assy, Vent
11	02536.0000	1	Grommet .375" I.D.
12	40348.0000	1	Elbow, .375" Barb.
13	27370.0003	1	Valve Assy, Bypass 120V (Includes items 14 thru 19)
	27370.0005	2	Valve Assy, Bypass 240V (Includes items 14 thru 19)
	00970.0000	2	Nut, Keps #8 - 32
14	-----	1	Coil Assy, Bypass Valve (Not available order item 13)
15	-----	1	Bracket, Mounting (Not available order item 13)
16	-----	1	Spring (Not available order item 38)
17	-----	1	Plunger (Not available order item 38)
18	23255.0000	1	Diaphragm
19	-----	1	Body (Not available order item 13)
20	39978.0000	1	Valve Assy, Sprayhead 120V (Includes items 21 thru 31)
	39978.0001	2	Valve Assy, Sprayhead 240V (Includes items 21 thru 31)
21	40206.0004	1	Coil Assy, Valve 120V
	40186.0000	4	Screw, #8 - 32 x 1.0"
22	39925.0000	1	Spacer, Dispense Valve
23	40206.0002	1	Spring
24	40206.0003	1	Plunger
25	40206.0001	1	Diaphragm
26	40184.0000	1	O-Ring, 1.50" OD x 1.375" ID x .062"
27	-----	1	Body (Not available order item 20)
28	39546.0000	1	Fitting, Sprayhead Valve
29	40183.0000	1	C-Ring, Dispense Valve

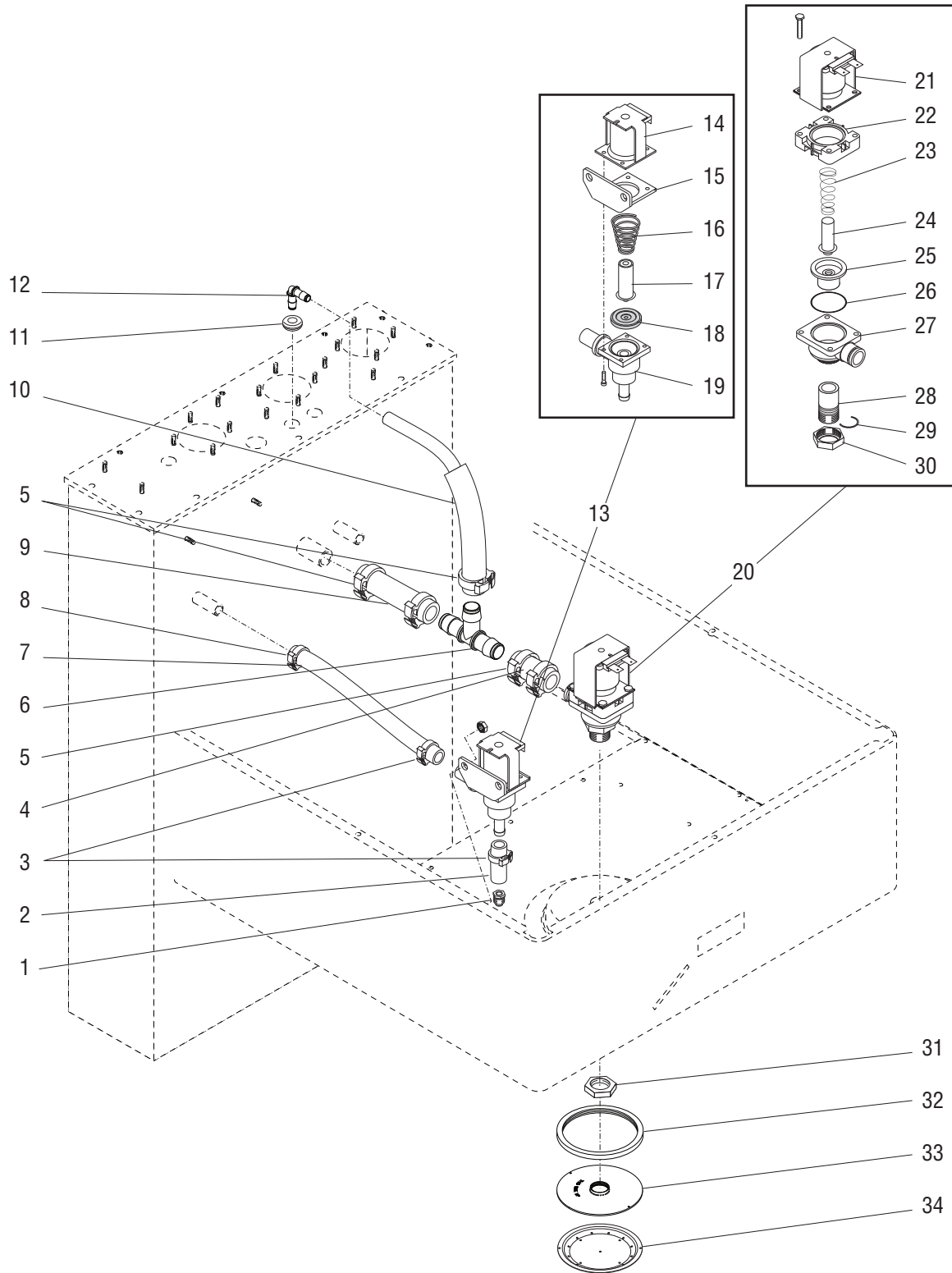
(continued)

* Indicates the part number listed is for reference only. See DESCRIPTION for possible service replacement.



SPRAYHEAD VALVE, WATER BY-PASS VALVE & SPRAYHEAD

TITAN SINGLE



P3961

SPRAYHEAD VALVE, WATER BY-PASS VALVE & SPRAYHEAD

ITEM	PART NO.	QTY.	DESCRIPTION
30	-----	1	Nut, Fitting Retaining (Not available order item 20)
31	00957.0001	1	Nut, Hex .75" - 16
32	34868.0000	1	Seal, Sprayhead
33	35070.0002	1	Sprayhead Back
34	34867.0004	1	Sprayhead (Metal)
	43920.0001	1	Sprayhead, 21 Hole (Plastic) Refer to item 40

} Refer to item 39

NOTE: The following parts are not illustrated

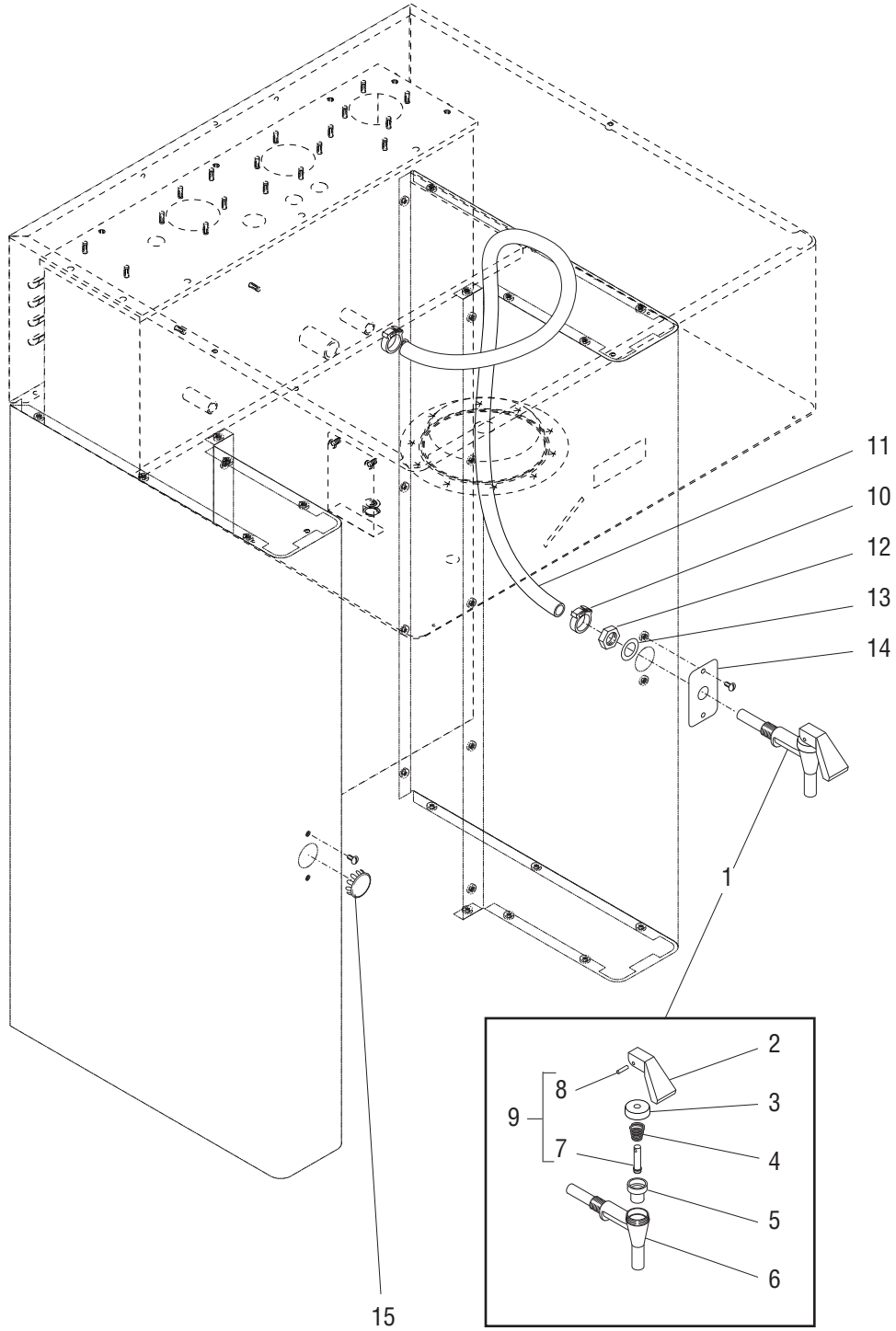
35	32591.1001	1	Tube, Silicone .50" I.D. x .75" O.D. x 12.0"
	32591.1002	1	Tube, Silicone .50" I.D. x .75" O.D. x 36.0"
36	35052.1000	1	Tube, Silicone .75" I.D. x 1.0" O.D. x 12.0"
37	11517.0008	-	Solenoid Valve Repair Kit, Bypass (Includes one each of spring, plunger and diaphragm)
38	40206.0000	-	Solenoid Valve Repair Kit, Sprayhead (Includes items 23, 24, 25, 26, 28, 29 and 30)
39	35308.1008	-	Sprayhead Assy (w/ Metal Sprayhead): Includes one each of items 33, 34 and 35 (34867.0004)
40	40670.1021	-	Sprayhead Assy (w/ Plastic Sprayhead): Includes one each of items 33, 34 and 35 (43920.0001)

* Indicates the part number listed is for reference only. See DESCRIPTION for possible service replacement.



FAUCET

TITAN SINGLE



FAUCET

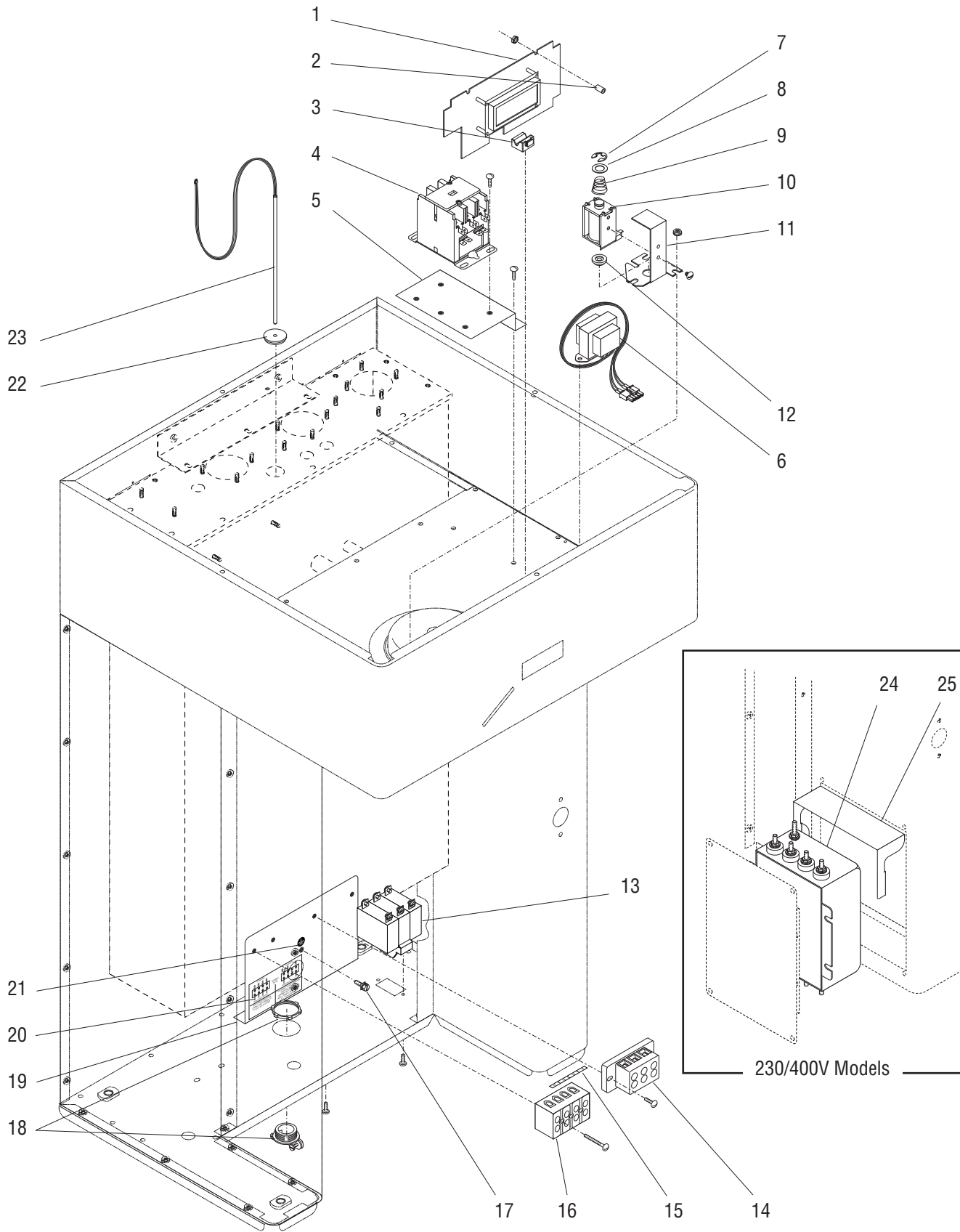
ITEM	PART NO.	QTY.	DESCRIPTION
1	29075.0002	1	Faucet Assy (Includes items 2 thru 8)
2	02861.0003	1	Handle, Faucet
3	02854.0000	1	Bonnet, Faucet
4	02595.0000	1	Spring, Faucet
5	02766.0000	1	Seat Cup, Faucet
6	02856.0009*	1	Body, Faucet (Not available order item 1)
7	13054.0000	1	Stem, Faucet
8	02858.0000	1	Pin, Spring .125" Dia. x .50"
9	02594.0000	1	Faucet Stem W/Pin (Includes items 7 & 8)
10	12422.0001	2	Clamp, Hose .59"/.66" I.D.
11	20976.0071	1	Tube, Silicone .381" I.D. x 42.0" LG
12	29264.0000	1	Nut, Faucet Retaining
13	01532.0005	1	Washer, Intl Tooth .50" Lock
14	39827.0001	1	Plate, Faucet Mounting
	01315.0000	4	Screw, Truss Head #8-32 x .375"
15	00619.0013	1	Plug, Hole 1.25" Dia.
16	28706.0004	-	Faucet Kit (Includes items 2,4 ,5 ,8 & 9)
17	28526.1002	-	Tube, Silicone .313" I.D. x .562" O.D. x 60.0" (Not Illustrated)

* Indicates the part number listed is for reference only. See DESCRIPTION for possible service replacement.



ELECTRICAL CONTROLS

TITAN SINGLE



ELECTRICAL CONTROLS

ITEM	PART NO.	QTY.	DESCRIPTION	
1	45787.1065	1	Circuit Board, Main control	
	00973.0000	2	Nut, Keps #6-32	
2	01533.0002	2	Spacer	
3	36366.0000	1	Mount, Circuit Board	
4	38045.0001	1	Contact, 3-pole 120V	
	38045.0000	1	Contact, 3-pole 208/240V	
	01327.0000	4	Screw, Pan Head #10-32 x .375"	
5	39535.0000	1	Bracket, Contactor Mounting	
	02308.0000	2	Screw, Pan Head #8-32 x .38"	
6	34307.1001	1	Transformer, 10VA 120 to 12V	
	34307.1002	1	Transformer, 10VA 230 to 12V	
	00970.0000	2	Nut, Keps #8-32	
7	39981.0000	1	Ring, Solenoid	} Also see item 33
8	-----	1	Washer, Nylon .44" ID x .68" OD	
9	39982.0000	1	Spring, Solenoid	
10	35955.0000	2	Coil, Solenoid, 120V (Includes items 7 thru 9)	
	35955.0001	2	Coil, Solenoid, 220V (Includes items 7 thru 9)	
	33613.0000	4	Screw, Truss Head #8-32 x .25"	
	01519.0000	4	Lockwasher, Split #8	
11	38280.0000	1	Bracket, Solenoid	
	00970.0000	2	Nut, Keps #8-32	
12	35953.0000	1	Guide, Pin	
13	38894.0002	1	Switch, Main Power	} Terminals
	01308.0002	2	Screw, Truss Head #6-32 x .25" (Switch Mounting)	
	01327.0000	4	Screw, Pan Head #10-32 x .375"	
	01512.0000	4	Lockwasher, External Tooth #10	
14	07038.0002	1	Terminal Block, 3 Pole BLACK/RED/BLUE (120/208 & 120/240V models)	
	01317.0000	2	Screw, Truss Head #8-32 x .50"	
15	34588.0001	1	Decal, Terminal Block (L1-L2-L3-N) (1 additional used on 230/400V models)	
16	21869.0000	1	Terminal Block, 4 Pole (One additional used on 230/400V models)	
	38030.0000	2	Screw, FilisterHead #8 - 32 x 1.25" (2 additional used on 230/400V models)	
17	01309.0000	1	Ground Screw W/Terminal Washer #10-32 x .50"	
18	01590.0001	1	Connector, Cable	
	05746.0001	1	Bushing, Strain Relief (230/400V models)	
19	39538.1000	1	Bracket W/Decals, Terminal Block Mtg (120/208 & 120/240V models)	} Includes items 20 & 21
	39538.1001	1	Bracket W/Decals, Terminal Block Mtg (230/400V models)	
	01317.0000	2	Screw, Truss Head #8-32 x .50"	
	01541.0000	2	Washer, Flat .219" ID x 1.0" OD	
20	37947.0002	1	Decal, Field Wiring (120/208 & 120/240V models)	
	37947.0003	1	Decal, Field Wiring (230/400V models)	
21	00824.0002	1	Decal, Ground	

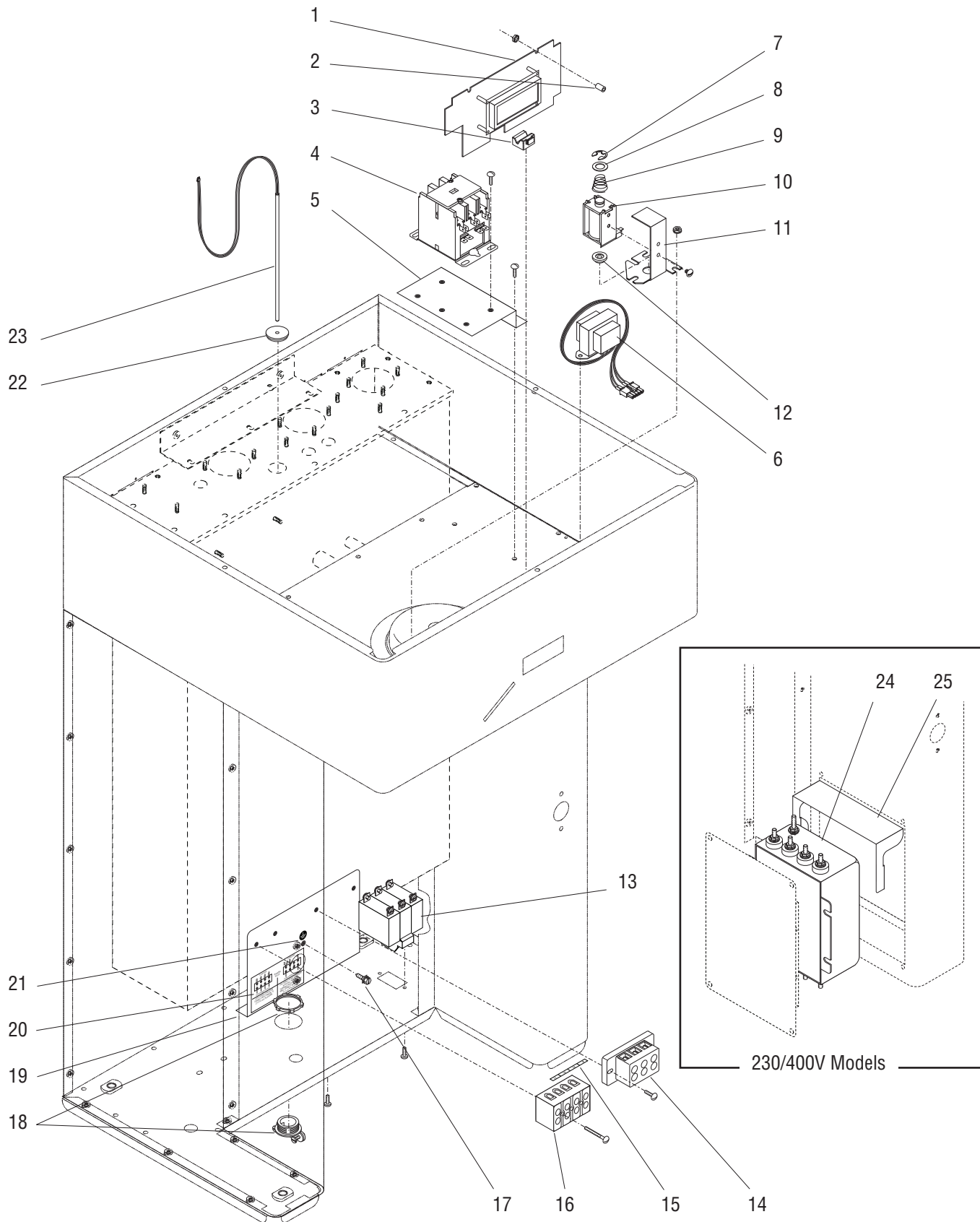
(Continued)

* Indicates the part number listed is for reference only. See DESCRIPTION for possible service replacement.



ELECTRICAL CONTROLS

TITAN SINGLE



P3963

ELECTRICAL CONTROLS

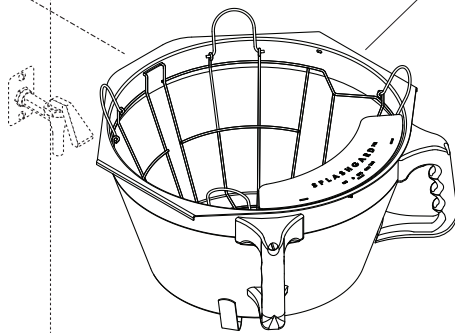
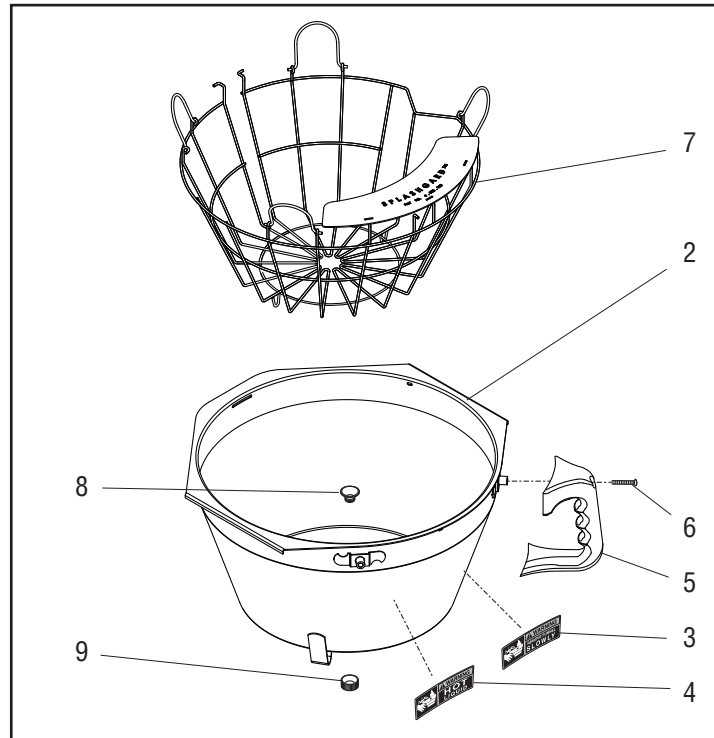
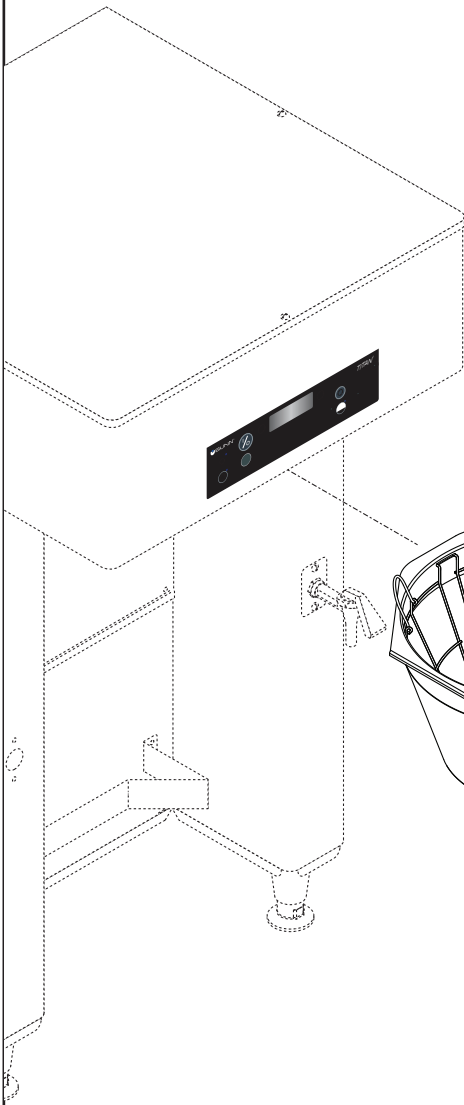
ITEM	PART NO.	QTY.	DESCRIPTION
22	12570.0000	1	Grommet, Temperature Sensor
23	40286.0000	1	Probe Kit, Temperature/Dry Plug
24	29446.0005	1	EMI Filter, European 36 amp 3 Phase
	02331.0000	4	Screw, Truss Head #10 - 32 x .38"
25	41539.0000	1	Guard, EMI Filter
NOTE: The following items are not illustrated			
26	39949.0000	1	Wiring Harness, Contactor-Out (120/208 & 120/240V models)
	39949.0001	1	Wiring Harness, Contactor-Out (230/400V models)
27	39950.0000	1	Wiring Harness, Contactor-In
28	39953.0000	1	Wiring Harness, Main
29	39952.0000	1	Wiring Harness, Liquid Level
30	37859.0010	1	Wiring Harness, Main Power Sw. to Terminal Blocks (120/208 & 120/240V models)
	37859.0007	1	Wiring Harness, Main Power Sw. to EMI Filter
	37859.0008	1	Wiring Harness, Terminal Block to Main Power Sw.
	34707.0007	1	Wiring Harness, EMI Filter to Terminal Block
31	39951.0000	1	Wiring Harness, Terminal Block/Contactor
32	12919.0001	-	Cap, BLK PVC .562" ID x .75" LG
	12919.0005	-	Cap, BLK PVC .406" ID x .50" LG
33	35952.1003	-	Solenoid Assy, Funnel Lock 120V (Includes items 7 thru 12)
34	34808.0002	1	Capacitor Assy, EMI Filter

* Indicates the part number listed is for reference only. See DESCRIPTION for possible service replacement.



FUNNEL

TITAN SINGLE



FUNNEL

ITEM	PART NO.	QTY.	DESCRIPTION
1	40114.0000	2	Funnel Assy, SST (Each includes Items 2 thru 9)
2	39358.1002	1	Funnel W/Decals (Includes items 3 & 4)
3	03408.0004	1	Decal, Caution-Remove Funnel
4	03409.0004	1	Decal, Caution-Hot Liquid
5	43028.0000	2	Handle, Funnel-Black
6	12499.0002	2	Screw, Round Head .BLK 25" - 20 x 1.5"
7	39372.0001	1	Filter Basket w/Splash Guard
8	32139.0000	1	Insert, Funnel Tip - Male (Refer to item 10)
9	32140.0000	1	Insert, Funnel Tip - Female (Refer to item 10)
10	01031.0001	-	Funnel Tip Kit (Includes items 8 & 9)

* Indicates the part number listed is for reference only. See DESCRIPTION for possible service replacement.

NUMERICAL INDEX

PART NO.	PAGE NO.	PART NO.	PAGE NO.	PART NO.	PAGE NO.	PART NO.	PAGE NO.
00310.0008	11	12398.0002	7	35953.0000	19	40507.0001	11
00619.0013	17	12422.0000	7	35955.0000	19	40507.0003	11
00656.0001	5	12422.0001	17	35955.0001	19	40623.0002	5
00658.0000	5	12422.0005	9,13	36081.0000	11	40625.0000	9
00824.0002	19	12422.0008	13	36366.0000	19	40626.1001	9
00908.0000	7,9	12499.0002	23	37859.0007	21	40627.0000	9
00929.0001	11	12559.0003	5	37859.0008	21	40629.0000	9
00946.0000	7	12570.0000	21	37859.0010	21	40631.0000	9
00957.0001	15	12756.0000	11	37881.0000	5	40633.1000	5
00970.0000	13,19	12757.0000	11	37947.0002	19	40635.1000	5
00971.0000	7,9	12919.0001	11,21	37947.0003	19	40635.1001	5
00973.0000	19	12919.0005	21	38030.0000	19	40637.1000	5
00986.0000	5	13054.0000	17	38045.0000	19	40643.1001	5
01031.0001	23	20203.0100	7	38045.0001	19	40670.1021	15
01308.0002	19	20936.1000	7	38280.0000	19	40644.1001	5
01309.0000	19	20976.0071	17	38894.0002	19	40750.0002	5
01315.0000	5,11,17	21801.0002	7	39358.1002	23	40809.0000	11
01315.0005	5	21869.0000	19	39372.0001	23	40831.0000	11
01317.0000	19	22728.0000	7	39516.1000	5	40832.0000	11
01317.0003	9	23255.0000	13	39516.1001	5	40886.1000	5
01327.0000	19	23717.0003	7	39520.0000	5	40892.0000	11
01501.0000	7	25151.0000	5	39535.0000	19	41096.0000	5
01512.0000	19	26622.0001	7	39536.0000	11	41259.1003	7
01514.0000	11	27370.0003	13	39538.1000	19	41260.0000	11
01519.0000	19	27370.0005	13	39538.1001	19	41266.0000	7
01527.0000	7	27473.0000	7	39546.0000	15	41280.0001	7
01532.0005	17	28526.1002	17	39803.0000	5	41339.0000	11
01533.0002	19	28706.0004	17	39827.0001	17	41468.0000	11
01541.0000	19	29075.0002	17	39925.0000	13	41498.0001	11
01590.0001	19	29264.0000	17	39949.0000	21	41539.0000	21
01592.0001	9	29421.0000	9	39949.0001	21	43028.0000	23
02308.0000	5,11,19	29446.0005	21	39950.0000	21	43920.0001	15
02331.0000	21	29710.0015	5	39951.0000	21	45787.1065	19
02434.0010	7	29710.0027	5	39952.0000	21		
02434.1000	7	32139.0000	23	39953.0000	21		
02536.0000	7,13	32140.0000	23	39978.0000	13		
02594.0000	17	32359.0000	11	39978.0001	13		
02595.0000	17	32591.0003	13	39981.0000	19		
02766.0000	17	32591.0018	13	39982.0000	19		
02854.0000	17	32591.1001	15	40040.0000	11		
02856.0009	17	32591.1002	9,15	40041.0000	5		
02858.0000	17	33613.0000	19	40042.0000	5		
02861.0003	17	34307.1001	19	40114.0000	23		
03236.0027	7	34307.1002	19	40123.0003	5		
03236.1001	7	34588.0001	19	40123.0004	5		
03236.1002	7	34707.0007	21	40171.0000	11		
03236.1003	7	34768.0001	11	40183.0000	15		
03408.0004	23	34801.0001	13	40184.0000	13		
03409.0004	23	34808.0002	21	40186.0000	13		
03633.0000	7	34867.0004	15	40206.0000	15		
03803.0002	7	34868.0000	15	40206.0001	13		
03807.0000	7	35052.0004	13	40206.0002	13		
05746.0001	19	35052.0010	13	40206.0003	13		
07038.0002	19	35052.1000	15	40206.0004	13		
11517.0008	15	35070.0002	15	40286.0000	21		
11630.0002	9	35086.0000	9	40348.0000	13		
12305.1000	7	35308.1008	15	40349.0000	13		
12322.1000	7	35952.1003	21	40350.0000	13		