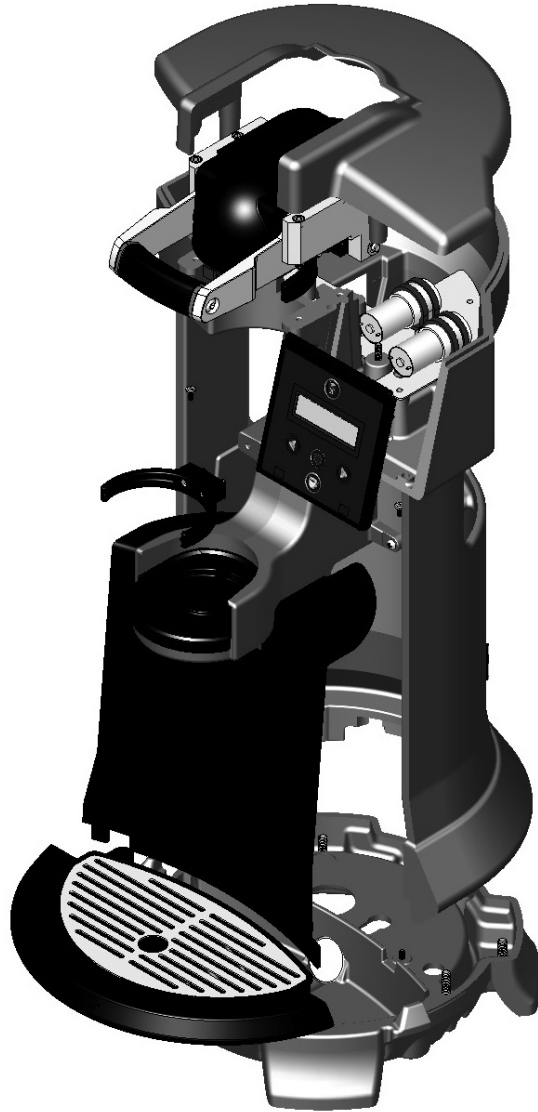


# BUNN®

# trifecta®



## ILLUSTRATED PARTS CATALOG

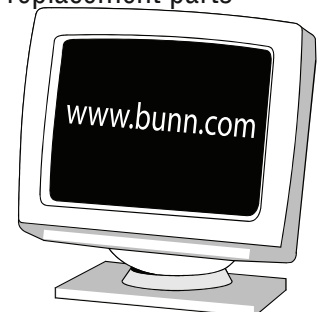
Designs, materials, weights, specifications, and dimensions for equipment or replacement parts are subject to change without notice.

**BUNN-O-MATIC CORPORATION**

POST OFFICE BOX 3227

SPRINGFIELD, ILLINOIS 62708-3227

PHONE: (217) 529-6601 FAX: (217) 529-6644



## BUNN-O-MATIC COMMERCIAL PRODUCT WARRANTY

Bunn-O-Matic Corp. ("BUNN") warrants equipment manufactured by it as follows:

- 1) Airpots, thermal carafes, decanters, GPR servers, iced tea/coffee dispensers, MCR/MCP/MCA single cup brewers, thermal servers and ThermoFresh® servers (mechanical and digital) 1 year parts and 1 year labor.
- 2) All other equipment - 2 years parts and 1 year labor plus added warranties as specified below:
  - a) Electronic circuit and/or control boards - parts and labor for 3 years.
  - b) Compressors on refrigeration equipment - 5 years parts and 1 year labor.
  - c) Grinding burrs on coffee grinding equipment to grind coffee to meet original factory screen sieve analysis - parts and labor for 4 years or 40,000 pounds of coffee, whichever comes first.

These warranty periods run from the date of installation BUNN warrants that the equipment manufactured by it will be commercially free of defects in material and workmanship existing at the time of manufacture and appearing within the applicable warranty period. This warranty does not apply to any equipment, component or part that was not manufactured by BUNN or that, in BUNN's judgment, has been affected by misuse, neglect, alteration, improper installation or operation, improper maintenance or repair, non periodic cleaning and descaling, equipment failures related to poor water quality, damage or casualty. In addition, the warranty does not apply to replacement of items subject to normal use including but not limited to user replaceable parts such as seals and gaskets. This warranty is conditioned on the Buyer 1) giving BUNN prompt notice of

any claim to be made under this warranty by telephone at (217) 529-6601 or by writing to Post Office Box 3227, Springfield, Illinois 62708-3227; 2) if requested by BUNN, shipping the defective equipment prepaid to an authorized BUNN service location; and 3) receiving prior authorization from BUNN that the defective equipment is under warranty.

**THE FOREGOING WARRANTY IS EXCLUSIVE AND IS IN LIEU OF ANY OTHER WARRANTY, WRITTEN OR ORAL, EXPRESS OR IMPLIED, INCLUDING, BUT NOT LIMITED TO, ANY IMPLIED WARRANTY OF EITHER MERCHANTABILITY OR FITNESS FOR A PARTICULAR PURPOSE.** The agents, dealers or employees of BUNN are not authorized to make modifications to this warranty or to make additional warranties that are binding on BUNN. Accordingly, statements by such individuals, whether oral or written, do not constitute warranties and should not be relied upon.

If BUNN determines in its sole discretion that the equipment does not conform to the warranty, BUNN, at its exclusive option while the equipment is under warranty, shall either 1) provide at no charge replacement parts and/or labor (during the applicable parts and labor warranty periods specified above) to repair the defective components, provided that this repair is done by a BUNN Authorized Service Representative; or 2) shall replace the equipment or refund the purchase price for the equipment.

**THE BUYER'S REMEDY AGAINST BUNN FOR THE BREACH OF ANY OBLIGATION ARISING OUT OF THE SALE OF THIS EQUIPMENT, WHETHER DERIVED FROM WARRANTY OR OTHERWISE, SHALL BE LIMITED, AT BUNN'S SOLE OPTION AS SPECIFIED HEREIN, TO REPAIR, REPLACEMENT OR REFUND.**

In no event shall BUNN be liable for any other damage or loss, including, but not limited to, lost profits, lost sales, loss of use of equipment, claims of Buyer's customers, cost of capital, cost of down time, cost of substitute equipment, facilities or services, or any other special, incidental or consequential damages.

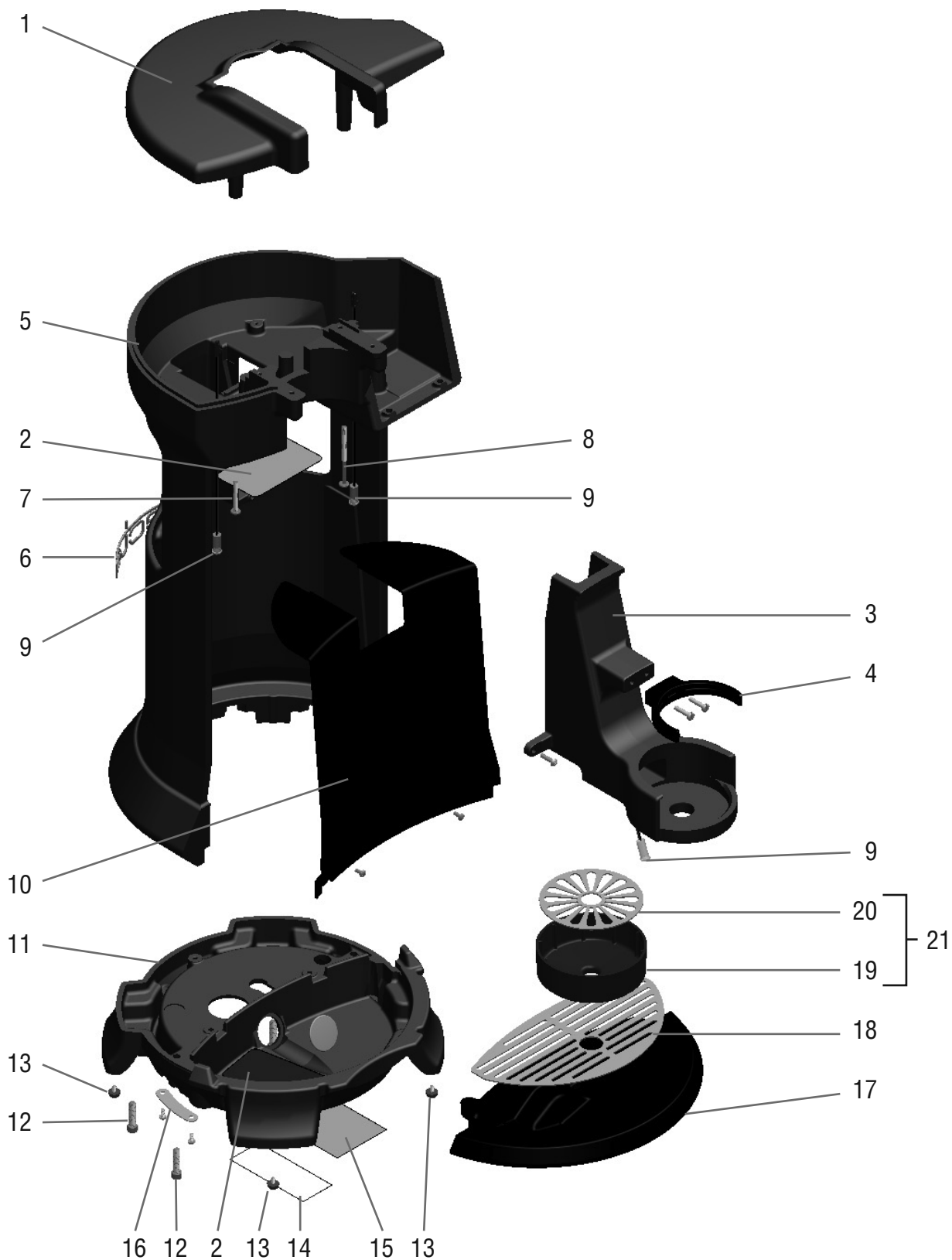
392, A Partner You Can Count On, Air Infusion, AutoPOD, AXIOM, BrewLOGIC, BrewMETER, Brew Better Not Bitter, BrewWISE, BrewWIZARD, BUNN Espresso, BUNN Family Gourmet, BUNN Gourmet, BUNN Pour-O-Matic, BUNN, BUNN with the stylized red line, BUNNlink, Bunn-O-Matic, Bunn-O-Matic, BUNNserve, BUNNSERVE with the stylized wrench design, Cool Froth, DBC, Dr. Brew stylized Dr. design, Dual, Easy Pour, EasyClear, EasyGard, FlavorGard, Gourmet Ice, Gourmet Juice, High Intensity, iMIX, Infusion Series, Intellisteam, My Café, Phase Brew, PowerLogic, Quality Beverage Equipment Worldwide, Respect Earth, Respect Earth with the stylized leaf and coffee cherry design, Safety-Fresh, savemycoffee.com, Scale-Pro, Silver Series, Single, Smart Funnel, Smart Hopper, SmartWAVE, Soft Heat, SplashGard, The Mark of Quality in Beverage Equipment Worldwide, ThermoFresh, Titan, trifacta, TRIFECTA (stylized logo), Velocity Brew, Air Brew, Beverage Bar Creator, Beverage Profit Calculator, Brew better, not bitter., Build-A-Drink, BUNNSource, Coffee At Its Best, Cyclonic Heating System, Daypart, Digital Brewer Control, Element, Milk Texturing Fusion, Nothing Brews Like a BUNN, Picture Prompted Cleaning, Pouring Profits, Signature Series, Sure Tamp, Tea At Its Best, The Horizontal Red Line, Ultra are either trademarks or registered trademarks of Bunn-O-Matic Corporation. The commercial trifacta® brewer housing configuration is a trademark of Bunn-O-Matic Corporation.

## TABLE OF CONTENTS

|                             |    |
|-----------------------------|----|
| HOUSING .....               | 4  |
| BREW CHAMBER .....          | 6  |
| SPRAYHEAD .....             | 8  |
| LOWER COMPONENT MOUNT.....  | 10 |
| UPPER COMPONENT MOUNT ..... | 12 |
| PLUMBING.....               | 14 |
| NUMERICAL INDEX .....       | 16 |

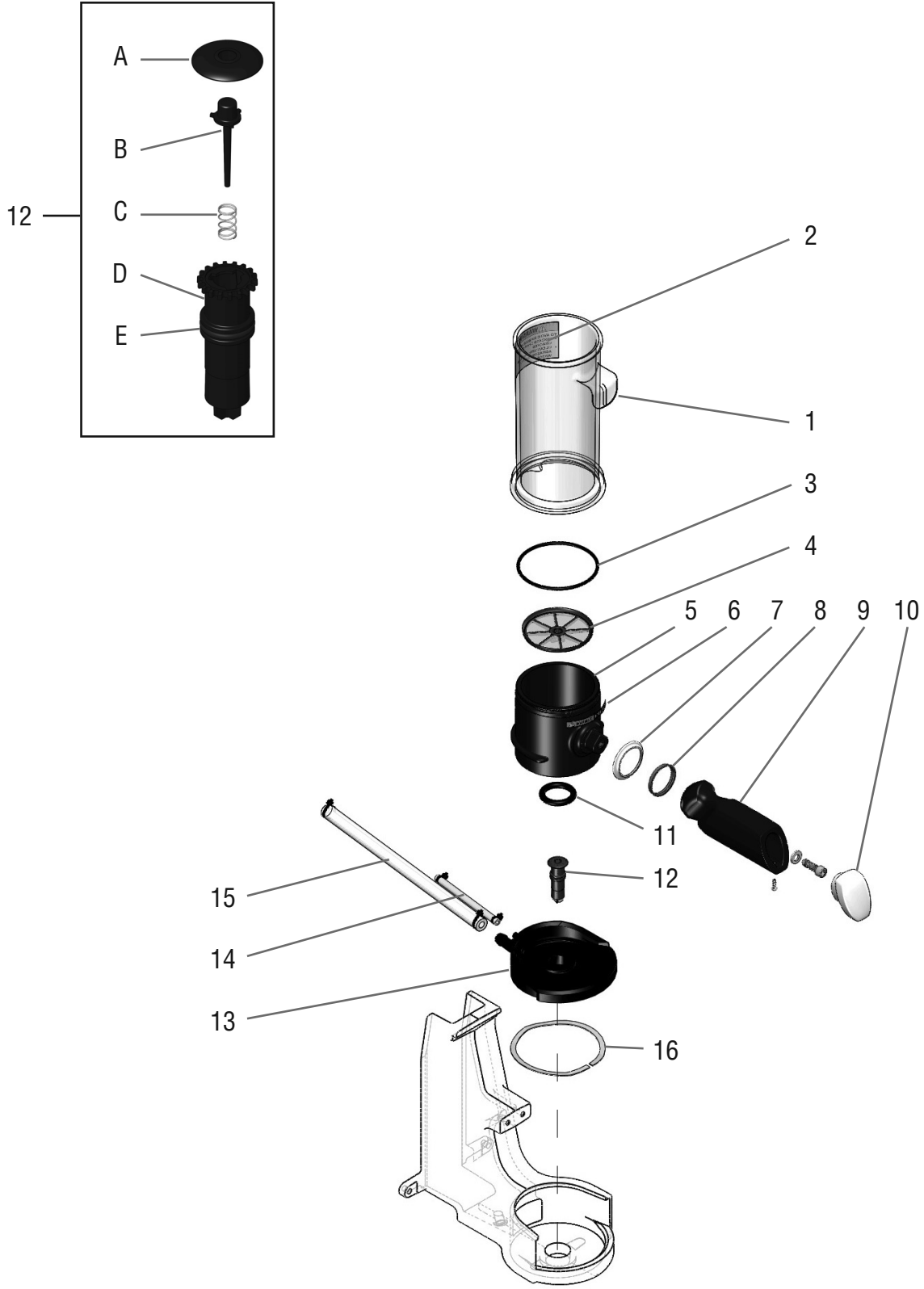
**To order coffee filters, water filters, or other accessories, refer to Specification Sheets at [www.bunn.com](http://www.bunn.com)**

| Fraction    | Decimal |  | Fraction     | Decimal |
|-------------|---------|--|--------------|---------|
| <b>1/16</b> | 0.063   |  | <b>9/16</b>  | 0.563   |
| <b>1/8</b>  | 0.125   |  | <b>5/8</b>   | 0.625   |
| <b>3/16</b> | 0.188   |  | <b>11/16</b> | 0.688   |
| <b>1/4</b>  | 0.250   |  | <b>3/4</b>   | 0.750   |
| <b>5/16</b> | 0.313   |  | <b>13/16</b> | 0.813   |
| <b>3/8</b>  | 0.375   |  | <b>7/8</b>   | 0.875   |
| <b>7/16</b> | 0.438   |  | <b>15/16</b> | 0.938   |
| <b>1/2</b>  | 0.500   |  | <b>1</b>     | 1.000   |



## HOUSING

| ITEM | PART NO.   | QTY. | DESCRIPTION                                      |
|------|------------|------|--|
| 1    | 42887.1000 | 1    | Cover, Top (Gray) (Includes # 7 & 8)             |
|      | 42887.1001 | 1    | Cover, Top (White) (Includes # 7 & 8)            |
|      | 42887.1002 | 1    | Cover, Top (Black) (Includes # 7 & 8)            |
| 2    | 37881.1000 | 1    | Decal, No User Serviceable Parts                 |
| 3    | 42886.1000 | 1    | Arm, Cup Support (Gray) (Includes Screws)        |
|      | 42886.1001 | 1    | Arm, Cup Support (White) (Includes Screws)       |
|      | 42886.1002 | 1    | Arm, Cup Support (Black) (Includes Screws)       |
|      | 01390.0000 | 2    | Screws, Pnh 8-32x.625                            |
| 4    | 42404.1000 | 1    | Clamp, Brew Chamber (Includes Screws)            |
|      | 01370.0000 | 2    | Screws, Pnh 8-32x.75                             |
| 5    | 42885.1000 | 1    | Trunk (Gray) (Includes # 2 & 6)                  |
|      | 42885.1001 | 1    | Trunk (White) (Includes # 2 & 6)                 |
|      | 42885.1002 | 1    | Trunk (Black) (Includes # 2 & 6)                 |
| 6    | 43009.1000 | 1    | Decal, Trifecta                                  |
| 7    | 43938.1000 | 1    | Screw, Left Pnh 10-24x1.5"                       |
| 8    | 43939.1000 | 1    | Screw, Right Pnh 10-24x2.75"                     |
| 9    | 36903.0001 | 3    | Led Assembly (1 per Package)                     |
|      | 42719.1000 | 1    | Wiring Harness (All LED's to CBA)                |
| 10   | 42127.1001 | 1    | Panel, Backsplash (Includes Screws)              |
|      | 02301.0001 | 2    | Screws, Pnh 6-32x.313                            |
| 11   | 42884.1000 | 1    | Base (Gray) Includes # 2 & 13-15                 |
|      | 42884.1001 | 1    | Base (White) Includes # 2 & 13-15                |
|      | 42884.1002 | 1    | Base (Black) Includes # 2 & 13-15                |
| 12   | 42631.1000 | (4)  | Screw, Skt Head .25-20x1.00 (Set of 4)           |
|      | 43280.1000 | (4)  | Lock Washer, Split (230V Models Only) (Set of 4) |
| 13   | 40602.1001 | (4)  | Bumper, 6-32x.25 (Set of 4)                      |
| 14   | 00656.0001 | 1    | Decal, Comply To Plumbing Code                   |
| 15   | 00986.0002 | 1    | Decal, Warning Electrical                        |
| 16   | 42613.1000 | 2    | Strap, Retainer Set of 2 with screws)            |
|      | 02328.0003 | 4    | Screw, Pnh 6-32x.313                             |
| 17   | 42126.1000 | 1    | Cup, Drip  |
| 18   | 42097.1000 | 1    | Grate, Drip Cup                                  |
| 19   | 42722.1000 | 1    | Kit, Cup Support                                 |
| 20   | 42723.1001 | 1    | Kit, Drip Grate                                  |
| 21   | 43963.1000 | 1    | Kit, Drip Grate & Cup Support                    |



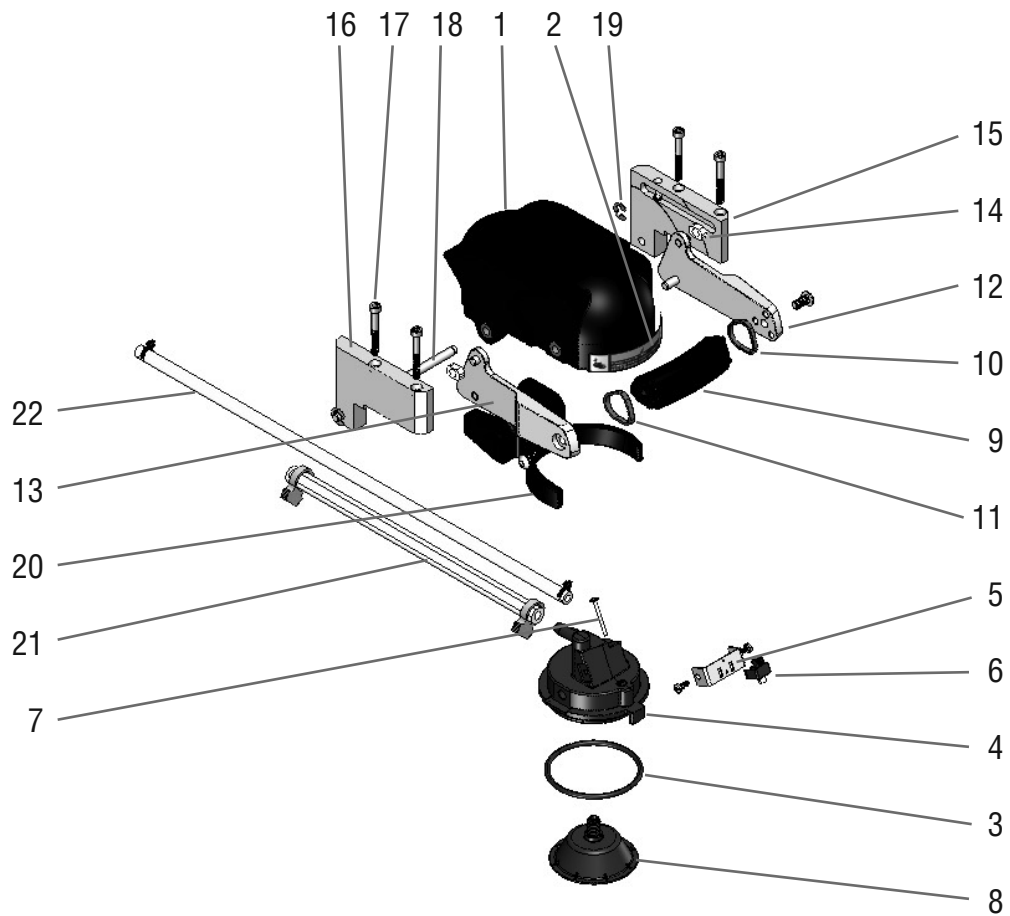
## BREW CHAMBER

| ITEM   | PART NO.     | QTY. | DESCRIPTION                               |
|--|--------------|------|---|
| 1  | 43279.0000   | 1    | Brew Chamber (Includes Decal)             |
| 2  | 43022.1000   | 1    | Decal, Chamber Warning                    |
| 3  | 42664.0000   | 1    | O-Ring (Also see item 18)                 |
| 4  | 42384.1001   | 1    | Screen, Snap-In                           |
| 5  | 42383.1000   | 1    | Cup, Grounds (Includes Decal)             |
| 6  | 37280.1001   | 1    | Decal, Hot Liquids                        |
| 7  | -----        | 1    | Trim, Ring (Chrome) (Order # 23)          |
| 8  | -----        | 1    | Trim, Ring (Red) (Order # 23)             |
|  | -----        | 1    | Trim, Ring (Green) (Order # 23)           |
| 9  | 42438.1000   | 1    | Handle (Includes Screw & Washer)          |
|  | 42653.0000   | 1    | Screw, Socket Head .25-20x.75             |
|  | 32566.0000   | 1    | Washer                                    |
| 10   | 42439.0000   | 1    | Cap, Handle                               |
|  | 42654.0000   | 1    | Screw, Pan head #4 x .375" Hi-Lo          |
| 11   | 42665.0000   | 1    | O-Ring (Also see item 18)                 |
| 12   | 42610.1000   | 1    | Check Valve Assembly w/O-Ring             |
| A  | 42368.0000   | 1    | Umbrella, Check Valve                     |
| B  | 42367.0000   | 1    | Poppet, Check Valve                       |
| C  | 42394.0000   | 1    | Spring, Check Valve                       |
| D  | 42698.0000   | 1    | Valve Assy., Body/Guide                   |
| E  | 43004.0000   | 1    | O-Ring (Also see item 18)                 |
| 13   | 42381.1000   | 1    | Insert, Cup Support                       |
| 14   | 42918.BULK*  | 1    | Tube 3.5" (Order # 22)                    |
|  | -----        | 2    | Tie, Cable (Not Available)                |
| 15   | 11707. BULK* | 1    | Tube 9" (Order # 21)                      |
|  | -----        | 2    | Tie, Cable (Not Available)                |
| 16   | 42508.1000   | 1    | Spring, Wave                              |
| <b>The Following Items Are Not Illustrated</b> |              |      |   |
| 17   | 42388.1000   | -    | Cup Assembly (Red Trim) (Includes 3-11)   |
|  | 42388.1001   | -    | Cup Assembly (Green Trim) (Includes 3-11) |
| 18   | 43292.1000   | -    | Kit, O-Ring                               |
| 19   | 11707.1000   | -    | Tubing, 1 Foot                            |
|  | 11707.1001   | -    | Tubing, 3 Feet                            |
|  | 11707.1002   | -    | Tubing, 10 Feet                           |
|  | 11707.1004   | -    | Tubing, 250 Feet                          |
| 20   | 42918.1000   | -    | Tubing, 1 Foot                            |
|  | 42918.1001   | -    | Tubing, 3 Feet                            |
|  | 42918.1002   | -    | Tubing, 10 Feet                           |
|  | 42918.1004   | -    | Tubing, 250 Feet                          |
| 21   | 42520.1000   | -    | Kit, Red Trim (Includes Screw)            |
|  | 42520.1001   | -    | Kit, Green Trim (Includes Screw)          |
| 22   | 44023.1000   | -    | Kit, Silicone Lubricant 1 Oz Tube         |



Cable ties not available,  
purchase locally.

\* Indicates the part number listed is for reference only. See DESCRIPTION for possible service replacement.



## SPRAYHEAD

| ITEM | PART NO.   | QTY. | DESCRIPTION                                 |
|------|------------|------|---|
| 1    | 42868.1000 | 1    | Cap, Sprayhead (Black)                      |
| 2    | 41177.1001 | 1    | Decal, Warning                              |
| 3    | 42774.0000 | 1    | O-Ring (Also see item 24)                   |
| 4    | 42379.1000 | 1    | Plug, Sprayhead                             |
| 5    | 42612.1000 | 1    | Bracket, Switch Mount (Includes Screws)     |
|      | 41103.0000 | 2    | Screw, Pan head #8 x .375" Hi-Lo            |
| 6    | 36536.1000 | 1    | Switch, Snap Action                         |
|      | 42720.1000 | 1    | Harness, Switch to CBA                      |
| 7    | 42502.1000 | 1    | Pin, Switch Actuator                        |
| 8    | 42784.1000 | 1    | Cone Assembly, Sprayhead                    |
| 9    | 42446.1000 | 1    | Grip, Clamp Handle (Includes Screws)        |
|      | 42472.0000 | 2    | Screw, Btnhd #.25 x .5"                     |
| 10   | 42513.1000 | 1    | Ring, Trim (Right)                          |
| 11   | 42513.1001 | 1    | Ring, Trim (Left)                           |
| 12   | 42454.1000 | 1    | Clamp Arm Assembly (Right)                  |
| 13   | 42454.1001 | 1    | Clamp Arm Assembly (Left)                   |
| 14   | 42403.1000 | (2)  | Block, Slide (Set of 2)                     |
| 15   | 42386.1002 | 1    | Block, Sprayhead Guide (Right)              |
| 16   | 42386.1003 | 1    | Block, Sprayhead Guide (Left)               |
| 17   | 42632.1000 | (4)  | Screw, Socket head #10-24 x 1.5" (Set of 4) |
| 18   | 42488.1000 | 1    | Pin, Pivot                                  |
| 19   | 42814.1000 | (2)  | C-Clip (Set of 2)                           |
| 20   | 42405.1000 | 1    | Lifter, Brew Chamber                        |
| 21   | -----      | 1    | Tubing 17" (Order # 25)                     |
|      | 12422.0006 | 2    | Clamp SNP-8                                 |
| 22   | -----      | 1    | Tubing 9.75" (Order # 26)                   |
|      | -----      | 2    | Tie, Cable (Not Available)                  |

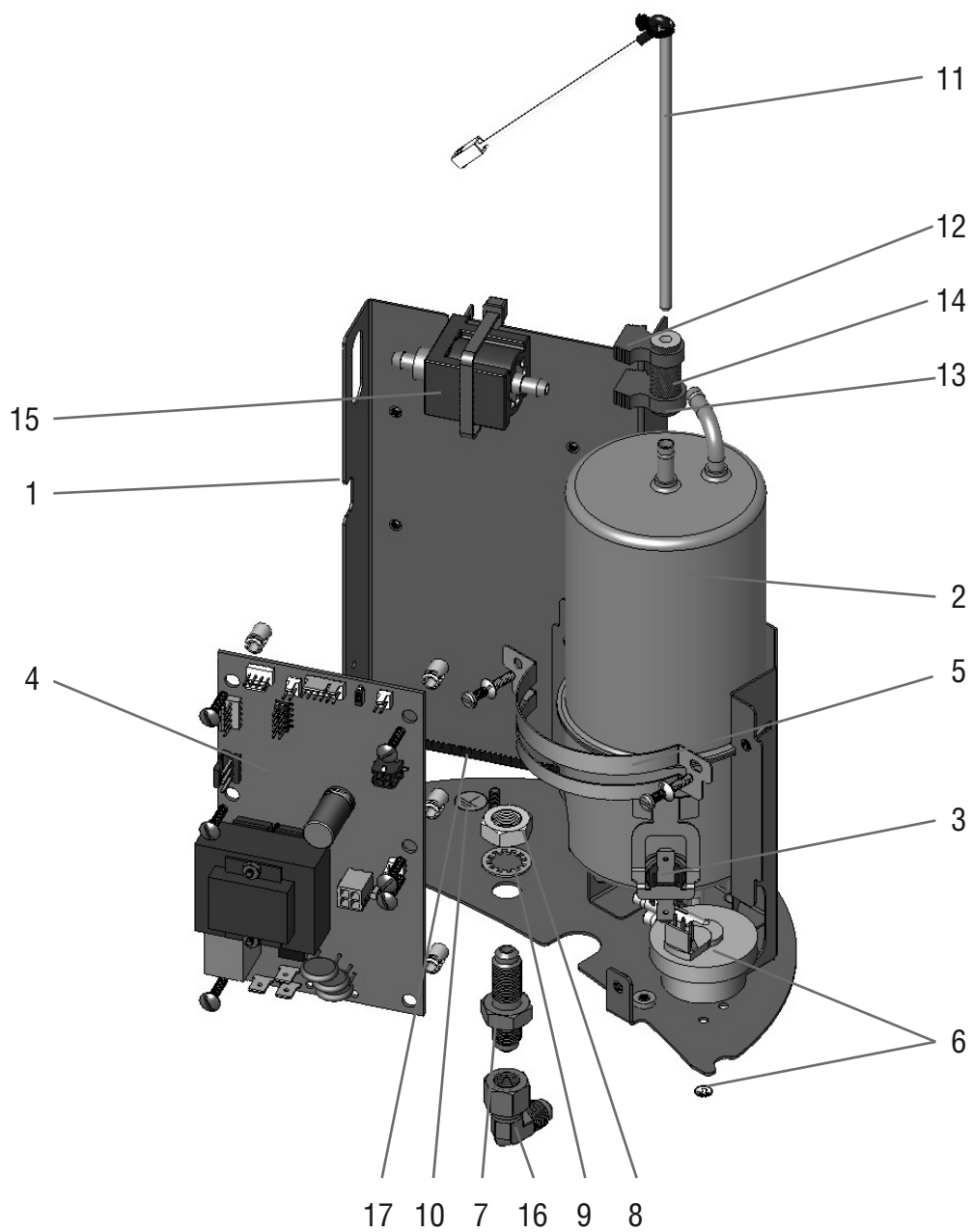


Cable ties not available, purchase locally.

### The Following Items Are Not Illustrated

|    |            |   |                                   |
|----|------------|---|-----------------------------------|
| 23 | 42643.1000 | 1 | Sprayhead Assembly (Black)        |
| 24 | 43292.1000 | - | Kit, O-Ring                       |
| 25 | 11707.1000 | - | Tubing, 1 Foot                    |
|    | 11707.1001 | - | Tubing, 3 Feet                    |
|    | 11707.1002 | - | Tubing, 10 Feet                   |
|    | 11707.1004 | - | Tubing, 250 Feet                  |
| 26 | 42916.1000 | - | Tubing, 1 Foot                    |
|    | 42916.1001 | - | Tubing, 3 Feet                    |
|    | 42916.1002 | - | Tubing, 10 Feet                   |
|    | 42916.1004 | - | Tubing, 250 Feet                  |
| 27 | 44023.1000 | - | Kit, Silicone Lubricant 1 Oz Tube |

\* Indicates the part number listed is for reference only. See DESCRIPTION for possible service replacement.



## LOWER COMPONENT MOUNTING

| ITEM | PART NO.    | QTY. | DESCRIPTION   |
|------|-------------|------|---|
| 1    | 42169.0002  | 1    | Bracket, Component Mount (Includes Ground Decal & Screws) |
|      | 01380.0000  | 2    | Screw, Trshd 6-32 x .5"                                   |
|      | 02330.0001  | 1    | Screw, Wshr 10-24 x .5"                                   |
| 2    | 42331.1000  | 1    | Tank, 120V 1450W (Includes # 3, 11-14)                    |
|      | 42331.1001  | 1    | Tank, 230V 1450W (Includes # 3, 11-14)                    |
|      | 42331.1002  | 1    | Tank, 100V 1450W (Includes # 3, 11-14)                    |
| 3    | 29329.1000  | 1    | Thermostat, Limit (1 Additional used on 230V)             |
| 4    | 43666.1002  | 1    | CBA, 100V (Includes Screws & Spacers)                     |
|      | 40150.1003  | 1    | CBA, 120V (Includes Screws & Spacers)                     |
|      | 40150.1005  | 1    | CBA, 230V (Includes Screws & Spacers)                     |
|      | 02367.0000  | 6    | Screw, Trshd 6-32 x .625"                                 |
|      | 29081.0002  | 6    | Spacer  |
| 5    | 40816.0000  | 1    | Strap, Tank Retaining                                     |
|      | 02328.0003  | 2    | Screw, Pan head #6-32x.313"                               |
| 6    | 36382.1000  | 1    | Flow Meter (Includes Push Nut)                            |
|      | 36718.0000  | 1    | Push Nut  |
| 7    | 00459.0000  | 1    | Fitting, Bulkhead   |
| 8    | 00463.0000  | 1    | Nut   |
| 9    | 01532.0000  | 1    | Lock Washer   |
| 10   | 00824.0002  | 1    | Decal, Ground   |
| 11   | 28891.1009  | 1    | Probe, Temperature (Includes # 12-14)                     |
| 12   | 12422.0011  | 1    | Clamp SNP-4   |
| 13   | 12422.0000  | 1    | Clamp SNP-8   |
| 14   | 36629.0003* | 1    | Tubing, .188IDx1.25" (Not Available, Order # 19)          |
| 15   | 39984.0001  | 1    | Solenoid Valve, Vent 12VDC                                |
|      | -----       | 2    | Tie, Cable (Not Available)                                |
| 16   | 00949.0001  | 1    | Elbow   |
| 17   | 41105.0005* | 1    | Edging, 3.5 Lg  |
|      | 41105.0006* | 2    | Edging, 1.125 Lg  |

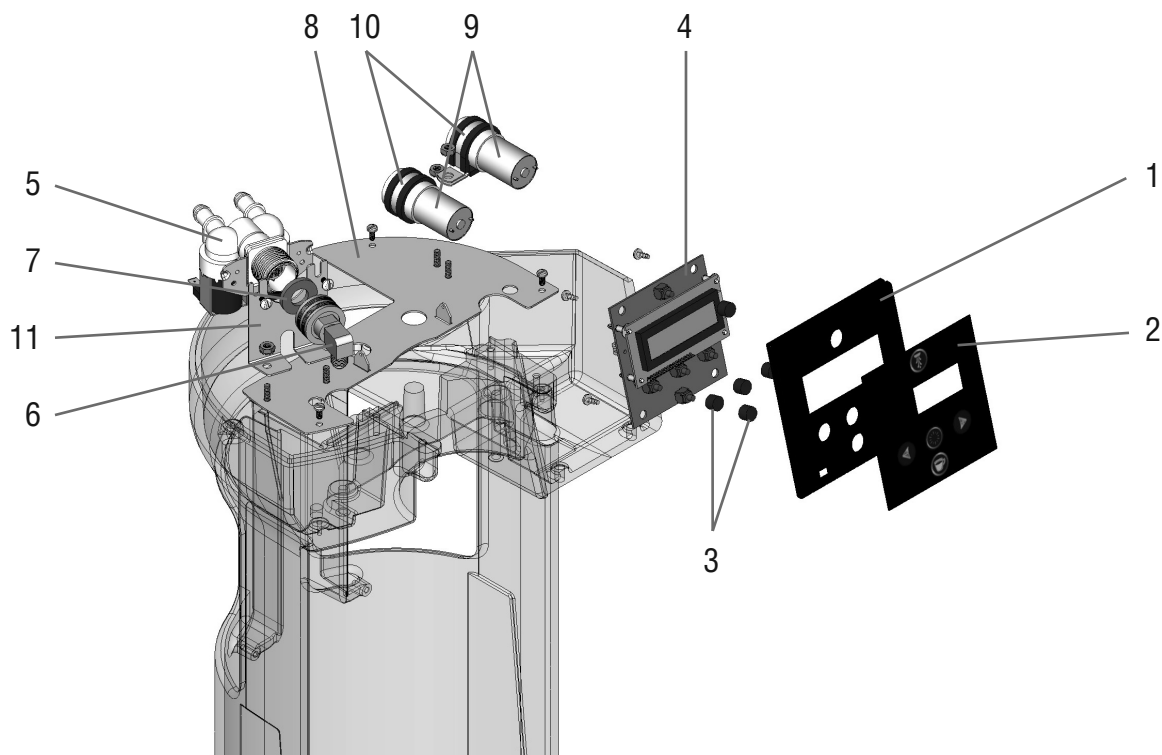


Cable ties not available, purchase locally.

### The Following Items Are Not Illustrated

|    |            |   |  |
|----|------------|---|--|
| 17 | 42718.1000 | 1 | Lead, BLU/BLK (Limit Thermostat to CBA) (120V Models Only)       |
|    | 43257.1000 | 1 | Lead, BLU/BLK w/TCO (Limit Thermostat to CBA) (230V Models Only) |
|    | 43257.1001 | 1 | Lead, White w/TCO (Limit Thermostat to CBA) (230V Models Only)   |
| 18 | 43292.1000 | - | Kit, O-Ring  |
| 19 | 36629.1000 | - | Tubing, 1 Foot   |
|    | 36629.1001 | - | Tubing, 3 Feet   |
|    | 36629.1002 | - | Tubing, 10 Feet  |
|    | 36629.1004 | - | Tubing, 250 Feet   |
| 20 | 36381.0005 | 1 | Power Cord 120V  |
|    | 36381.0006 | 1 | Power Cord 230V  |
|    | 35260.0000 | 1 | Cable Mount, Adhesive (230V Models Only)                         |
| 21 | 42717.1000 | 1 | Wiring Harness (Flow Meter to CBA)                               |
| 22 | 42716.1000 | 1 | Wiring Harness (Air Vent/Right Air Pump to CBA)                  |

\* Indicates the part number listed is for reference only. See DESCRIPTION for possible service replacement.



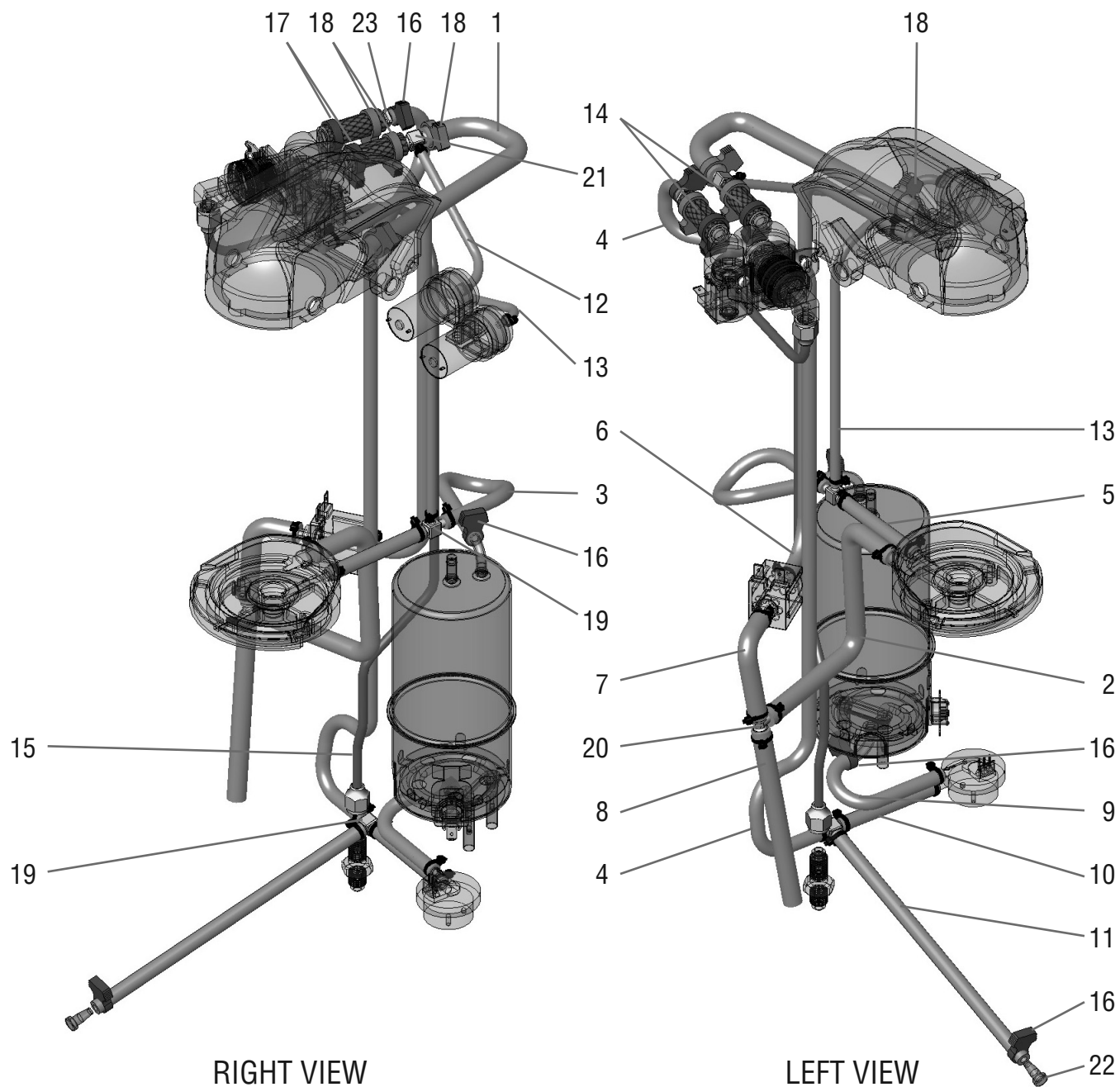
## UPPER COMPONENT MOUNTING

| ITEM | PART NO.   | QTY. | DESCRIPTION  |            |
|------|------------|------|--|------------|
| 1    | 42171.1000 | 1    | Kit, Bezel (Includes Decal & Screws)                               |            |
|      | 44646.0002 | 4    | Screw, Pnh #6 x .375"  |            |
| 2    | 42490.1000 | 1    | Decal, Switch  |            |
| 3    | 41131.1000 | (5)  | Key Top (Set of 5)   |            |
| 4    | 40151.1000 | 1    | CBA Display Assy. RoHS (Autopod, Includes Screws & Keys)           |            |
| 5    | 41645.1000 | 1    | Valve, Inlet (w/Flow Control) 120V (Includes Screws)               | Black Coil |
|      | 41645.1002 | 1    | Valve, Inlet (w/Flow Control) 100V (Includes Screws)               | Gray Coil  |
|      | 43278.1000 | 1    | Valve, Inlet (w/Flow Control & Check Valve) 230V (Includes Screws) | White Coil |
|      | 32283.0000 | 2    | Screw, Sst Sltd Pnh M4 X 6mm                                       |            |
| 6    | 37297.1006 | 1    | Elbow (Includes Gasket)  |            |
| 7    | 41640.0000 | 1    | Gasket   |            |
| 8    | 42195.1000 | 1    | Plate, Top (Includes Screws)                                       |            |
|      | 02328.0000 | 3    | Screw, Sst Sltd Pnh 6-32x.313                                      |            |
| 9    | 38316.1000 | 2    | Pump Assembly  |            |
| 10   | 40935.1000 | 2    | Clamp (Includes Nuts)  |            |
|      | 00970.0000 | 2    | Keps Nut 8-32  |            |
| 11   | 42614.1000 | 1    | Bracket, Valve Mount (Includes Nuts)                               |            |
|      | 00970.0000 | 2    | Keps Nut 8-32  |            |

**The Following Items Are Not Illustrated**

|    |            |   |   |
|----|------------|---|---|
| 12 | 40355.1000 | 1 | Wiring Harness (Display to CBA)                 |
| 13 | 42715.1000 | 1 | Wiring Harness (Left Air Pump to CBA)           |
| 14 | 42716.1000 | 1 | Wiring Harness (Air Vent/Right Air Pump to CBA) |
| 15 | 42721.1000 | 1 | Wiring Harness (Inlet Valve to CBA)             |

\* Indicates the part number listed is for reference only. See DESCRIPTION for possible service replacement.



## PLUMBING

| ITEM | PART NO.   | QTY. | DESCRIPTION  |
|------|------------|------|--|
| 1    | -----      | 1    | Tubing, Sprayhead to Tee, 9.75" (Order # 24)           |
| 2    | -----      | 1    | Tubing, Cup Holder to Tee, 9.0" (Order # 24)           |
| 3    | -----      | 1    | Tubing, Tank to Tee, 4.5" (Order # 25)                 |
| 4    | -----      | 1    | Tubing, Reducer to Tee, 23.5" (Order # 25)             |
| 5    | -----      | 1    | Tubing, Cup Holder to Tee, 3.5" (Order # 25)           |
| 6    | -----      | 1    | Tubing, Sprayhead to Vent Solenoid, 17.0" (Order # 25) |
| 7    | -----      | 1    | Tubing, Vent Solenoid to Tee, 3.25" (Order # 25)       |
| 8    | -----      | 1    | Tubing, Tee to Drip Tray, 4.5" (Order # 25)            |
| 9    | -----      | 1    | Tubing, Tank to Flow Meter, 10.0" (Order # 25)         |
| 10   | -----      | 1    | Tubing, Flow Meter to Tee, 4.5" (Order # 25)           |
| 11   | -----      | 1    | Tubing, Drain Hose, 8.5" (Order # 25)                  |
| 12   | -----      | 1    | Tubing, Left Air Pump to Tee, 6.0" (Order # 26)        |
| 13   | -----      | 1    | Tubing, Right Air Pump to Tee, 11.5" (Order # 26)      |
| 14   | -----      | 2    | Tubing, Braided, 1.6" (Order # 27)                     |
| 15   | 42623.1000 | 1    | Tube Assembly, Inlet                                   |
| 16   | 12422.0003 | 4    | Clamp, SNP-2   |
| 17   | 12422.0005 | 2    | Clamp, SNP-12  |
| 18   | 12422.0006 | 4    | Clamp, SNP-8   |
| 19   | 41089.1000 | 2    | Tee  |
| 20   | 42775.1000 | 1    | Tee  |
| 21   | 42781.1000 | 1    | Tee  |
| 22   | 42806.1000 | 1    | Plug   |
| 23   | 42780.1000 | 1    | Reducer  |



Cable ties not available,  
purchase locally.

**The Following Items Are Not Illustrated**

|    |            |   |                  |
|----|------------|---|------------------|
| 24 | 11707.1000 | - | Tubing, 1 Foot   |
|    | 11707.1001 | - | Tubing, 3 Feet   |
|    | 11707.1002 | - | Tubing, 10 Feet  |
|    | 11707.1004 | - | Tubing, 250 Feet |
| 25 | 42916.1000 | - | Tubing, 1 Foot   |
|    | 42916.1001 | - | Tubing, 3 Feet   |
|    | 42916.1002 | - | Tubing, 10 Feet  |
|    | 42916.1004 | - | Tubing, 250 Feet |
| 26 | 42918.1000 | - | Tubing, 1 Foot   |
|    | 42918.1001 | - | Tubing, 3 Feet   |
|    | 42918.1002 | - | Tubing, 10 Feet  |
|    | 42918.1004 | - | Tubing, 250 Feet |
| 27 | 41115.1000 | - | Tubing, 1 Foot   |
|    | 41115.1001 | - | Tubing, 3 Feet   |
|    | 41115.1002 | - | Tubing, 10 Feet  |
|    | 41115.1004 | - | Tubing, 250 Feet |

\* Indicates the part number listed is for reference only. See DESCRIPTION for possible service replacement.

NUMERICAL INDEX

| PART NO.   | PAGE NO. | PART NO.   | PAGE NO. | PART NO.   | PAGE NO. | PART NO.   | PAGE NO. |
|------------|----------|------------|----------|------------|----------|------------|----------|
| 00459.0000 | 11       | 41089.1000 | 15       | 42623.1000 | 15       | 43292.1000 | 7,9,11   |
| 00463.0000 | 11       | 41103.0000 | 9        | 42631.1000 | 5        | 43666.1002 | 11       |
| 00656.0001 | 5        | 41105.0005 | 11       | 42632.1000 | 9        | 43938.1000 | 5        |
| 00824.0002 | 11       | 41105.0006 | 11       | 42643.1000 | 9        | 43939.1000 | 5        |
| 00949.0001 | 11       | 41115.1000 | 15       | 42653.0000 | 7        | 43963.1000 | 5        |
| 00970.0000 | 13       | 41115.1001 | 15       | 42654.0000 | 7        | 44023.1000 | 7,9      |
| 00986.0002 | 5        | 41115.1002 | 15       | 42664.0000 | 7        | 44646.0002 | 13       |
| 01370.0000 | 5        | 41115.1004 | 15       | 42665.0000 | 7        |            |          |
| 01380.0000 | 11       | 41131.1000 | 13       | 42698.0000 | 7        |            |          |
| 01390.0000 | 5        | 41177.1001 | 9        | 42715.1000 | 13       |            |          |
| 01532.0000 | 11       | 41640.0000 | 13       | 42716.1000 | 11,13    |            |          |
| 02301.0001 | 5        | 41645.1000 | 13       | 42717.1000 | 11       |            |          |
| 02328.0000 | 13       | 41645.1002 | 13       | 42718.1000 | 11       |            |          |
| 02328.0003 | 5,11     | 42097.1000 | 5        | 42719.1000 | 5        |            |          |
| 02330.0001 | 11       | 42126.1000 | 5        | 42720.1000 | 9        |            |          |
| 02367.0000 | 11       | 42127.1001 | 5        | 42721.1000 | 13       |            |          |
| 11707.1000 | 7,9,15   | 42169.0002 | 11       | 42722.1000 | 5        |            |          |
| 11707.1001 | 7,9,15   | 42171.1000 | 13       | 42723.1001 | 5        |            |          |
| 11707.1002 | 7,9,15   | 42195.1000 | 13       | 42774.0000 | 9        |            |          |
| 11707.1004 | 7,9,15   | 42331.1000 | 11       | 42775.1000 | 15       |            |          |
| 12422.0000 | 11       | 42331.1001 | 11       | 42780.1000 | 15       |            |          |
| 12422.0003 | 15       | 42331.1002 | 11       | 42781.1000 | 15       |            |          |
| 12422.0005 | 15       | 42367.0000 | 7        | 42784.1000 | 9        |            |          |
| 12422.0006 | 9,15     | 42368.0000 | 7        | 42806.1000 | 15       |            |          |
| 12422.0011 | 11       | 42379.1000 | 9        | 42814.1000 | 9        |            |          |
| 28891.1009 | 11       | 42381.1000 | 7        | 42868.1000 | 9        |            |          |
| 29081.0002 | 11       | 42383.1000 | 7        | 42884.1000 | 5        |            |          |
| 29329.1000 | 11       | 42384.1001 | 7        | 42884.1001 | 5        |            |          |
| 32283.0000 | 13       | 42386.1002 | 9        | 42884.1002 | 5        |            |          |
| 32566.0000 | 7        | 42386.1003 | 9        | 42885.1000 | 5        |            |          |
| 35260.0000 | 11       | 42388.1000 | 7        | 42885.1001 | 5        |            |          |
| 36381.0005 | 11       | 42388.1001 | 7        | 42885.1002 | 5        |            |          |
| 36381.0006 | 11       | 42394.0000 | 7        | 42886.1000 | 5        |            |          |
| 36382.1000 | 11       | 42403.1000 | 9        | 42886.1001 | 5        |            |          |
| 36536.1000 | 9        | 42404.1000 | 5        | 42886.1002 | 5        |            |          |
| 36629.0003 | 11       | 42405.1000 | 9        | 42887.1000 | 5        |            |          |
| 36629.1000 | 11       | 42438.1000 | 7        | 42887.1001 | 5        |            |          |
| 36629.1001 | 11       | 42439.0000 | 7        | 42887.1002 | 5        |            |          |
| 36629.1002 | 11       | 42446.1000 | 9        | 42916.1000 | 9,15     |            |          |
| 36629.1004 | 11       | 42454.1000 | 9        | 42916.1001 | 9,15     |            |          |
| 36718.0000 | 11       | 42454.1001 | 9        | 42916.1002 | 9,15     |            |          |
| 36903.0001 | 5        | 42472.0000 | 9        | 42916.1004 | 9,15     |            |          |
| 37280.1001 | 7        | 42488.1000 | 9        | 42918.1000 | 7,15     |            |          |
| 37297.1006 | 13       | 42490.1000 | 13       | 42918.1001 | 7,15     |            |          |
| 37881.1000 | 5        | 42502.1000 | 9        | 42918.1002 | 7,15     |            |          |
| 38316.1000 | 13       | 42508.1000 | 7        | 42918.1004 | 7,15     |            |          |
| 39984.0001 | 11       | 42513.1000 | 9        | 43004.0000 | 7        |            |          |
| 40150.1003 | 11       | 42513.1001 | 9        | 43009.1000 | 5        |            |          |
| 40150.1005 | 11       | 42520.1000 | 7        | 43022.1000 | 7        |            |          |
| 40151.1000 | 13       | 42520.1001 | 7        | 43257.1000 | 11       |            |          |
| 40355.1000 | 13       | 42610.1000 | 7        | 43257.1001 | 11       |            |          |
| 40602.1001 | 5        | 42612.1000 | 9        | 43278.1000 | 13       |            |          |
| 40816.0000 | 11       | 42613.1000 | 5        | 43279.0000 | 7        |            |          |
| 40935.1000 | 13       | 42614.1000 | 13       | 43280.1000 | 5        |            |          |