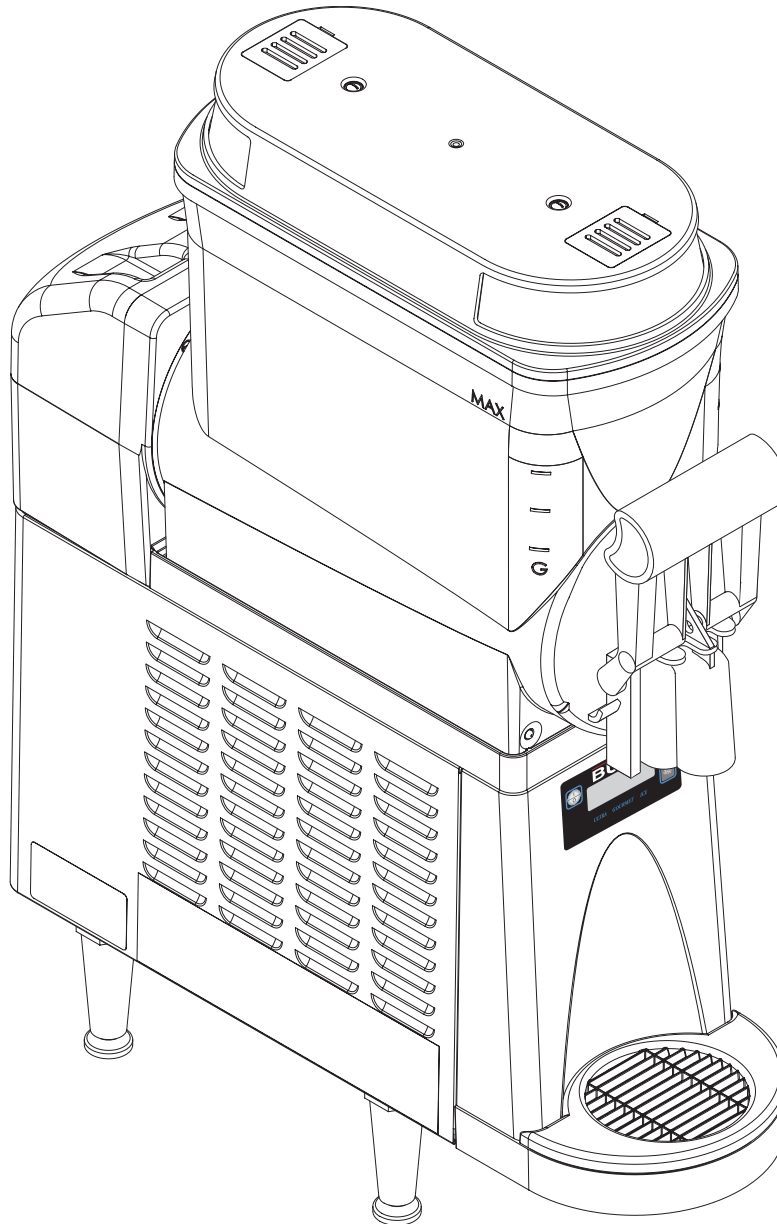


BUNN®

ULTRA-1



ILLUSTRATED PARTS CATALOG

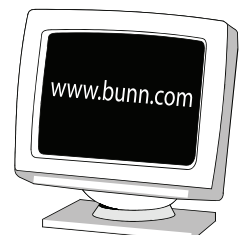
Designs, materials, weights, specifications, and dimensions for equipment or replacement parts are subject to change without notice.

BUNN-O-MATIC CORPORATION

POST OFFICE BOX 3227

SPRINGFIELD, ILLINOIS 62708-3227

PHONE: (217) 529-6601 FAX: (217) 529-6644



40562.0002F 09/14 ©2012 Bunn-O-Matic Corporation

DIR Num: 40562.0002

14, October 2014

REVIEW

BUNN-O-MATIC COMMERCIAL PRODUCT WARRANTY

Bunn-O-Matic Corp. ("BUNN") warrants equipment manufactured by it as follows:

- 1) Airpots, thermal carafes, decanters, GPR servers, iced tea/coffee dispensers, MCR/MCP/MCA single cup brewers, thermal servers and ThermoFresh® servers (mechanical and digital) 1 year parts and 1 year labor.
- 2) All other equipment - 2 years parts and 1 year labor plus added warranties as specified below:
 - a) Electronic circuit and/or control boards - parts and labor for 3 years.
 - b) Compressors on refrigeration equipment - 5 years parts and 1 year labor.
 - c) Grinding burrs on coffee grinding equipment to grind coffee to meet original factory screen sieve analysis - parts and labor for 4 years or 40,000 pounds of coffee, whichever comes first.

These warranty periods run from the date of installation BUNN warrants that the equipment manufactured by it will be commercially free of defects in material and workmanship existing at the time of manufacture and appearing within the applicable warranty period. This warranty does not apply to any equipment, component or part that was not manufactured by BUNN or that, in BUNN's judgment, has been affected by misuse, neglect, alteration, improper installation or operation, improper maintenance or repair, non periodic cleaning and descaling, equipment failures related to poor water quality, damage or casualty. In addition, the warranty does not apply to replacement of items subject to normal use including but not limited to user replaceable parts such as seals and gaskets. This warranty is conditioned on the Buyer 1) giving BUNN prompt notice of any claim to be made under this warranty by telephone at (217) 529-6601 or by writing to Post Office Box 3227, Springfield, Illinois 62708-3227; 2) if requested by BUNN, shipping the defective equipment prepaid to an authorized BUNN service location; and 3) receiving prior authorization from BUNN that the defective equipment is under warranty.

THE FOREGOING WARRANTY IS EXCLUSIVE AND IS IN LIEU OF ANY OTHER WARRANTY, WRITTEN OR ORAL, EXPRESS OR IMPLIED, INCLUDING, BUT NOT LIMITED TO, ANY IMPLIED WARRANTY OF EITHER MERCHANTABILITY OR FITNESS FOR A PARTICULAR PURPOSE. The agents, dealers or employees of BUNN are not authorized to make modifications to this warranty or to make additional warranties that are binding on BUNN. Accordingly, statements by such individuals, whether oral or written, do not constitute warranties and should not be relied upon.

If BUNN determines in its sole discretion that the equipment does not conform to the warranty, BUNN, at its exclusive option while the equipment is under warranty, shall either 1) provide at no charge replacement parts and/or labor (during the applicable parts and labor warranty periods specified above) to repair the defective components, provided that this repair is done by a BUNN Authorized Service Representative; or 2) shall replace the equipment or refund the purchase price for the equipment.

THE BUYER'S REMEDY AGAINST BUNN FOR THE BREACH OF ANY OBLIGATION ARISING OUT OF THE SALE OF THIS EQUIPMENT, WHETHER DERIVED FROM WARRANTY OR OTHERWISE, SHALL BE LIMITED, AT BUNN'S SOLE OPTION AS SPECIFIED HEREIN, TO REPAIR, REPLACEMENT OR REFUND.

In no event shall BUNN be liable for any other damage or loss, including, but not limited to, lost profits, lost sales, loss of use of equipment, claims of Buyer's customers, cost of capital, cost of down time, cost of substitute equipment, facilities or services, or any other special, incidental or consequential damages.

392, A Partner You Can Count On, Air Infusion, AutoPOD, AXIOM, BrewLOGIC, BrewMETER, Brew Better Not Bitter, BrewWISE, BrewWIZARD, BUNN Espresso, BUNN Family Gourmet, BUNN Gourmet, BUNN Pour-O-Matic, BUNN, BUNN with the stylized red line, BUNNlink, Bunn-O-Matic, Bunn-O-Matic, BUNNserve, BUNNSERVE with the stylized wrench design, Cool Froth, DBC, Dr. Brew stylized Dr. design, Dual, Easy Pour, EasyClear, EasyGard, FlavorGard, Gourmet Ice, Gourmet Juice, High Intensity, iMIX, Infusion Series, Intellisteam, My Café, Phase Brew, PowerLogic, Quality Beverage Equipment Worldwide, Respect Earth, Respect Earth with the stylized leaf and coffee cherry design, Safety-Fresh, savemycoffee.com, Scale-Pro, Silver Series, Single, Smart Funnel, Smart Hopper, SmartWAVE, Soft Heat, SplashGard, The Mark of Quality in Beverage Equipment Worldwide, ThermoFresh, Titan, trifecta, TRIFECTA (stylized logo), Velocity Brew, Air Brew, Beverage Bar Creator, Beverage Profit Calculator, Brew better, not bitter., Build-A-Drink, BUNNSource, Coffee At Its Best, Cyclonic Heating System, Daypart, Digital Brewer Control, Element, Milk Texturing Fusion, Nothing Brews Like a BUNN, Picture Prompted Cleaning, Pouring Profits, Signature Series, Sure Tamp, Tea At Its Best, The Horizontal Red Line, Ultra are either trademarks or registered trademarks of Bunn-O-Matic Corporation. The commercial trifecta® brewer housing configuration is a trademark of Bunn-O-Matic Corporation.

TABLE OF CONTENTS

Auger Drive and Cooling Drum 12

Compressor and Mounting (120V and 230V Models)..... 18

Compressor and Mounting (120V and 230V Models)..... 20

Condenser and Fan Mounting 16

Electrical and Operating Controls 24

Housing, Panels and Drip Tray 4

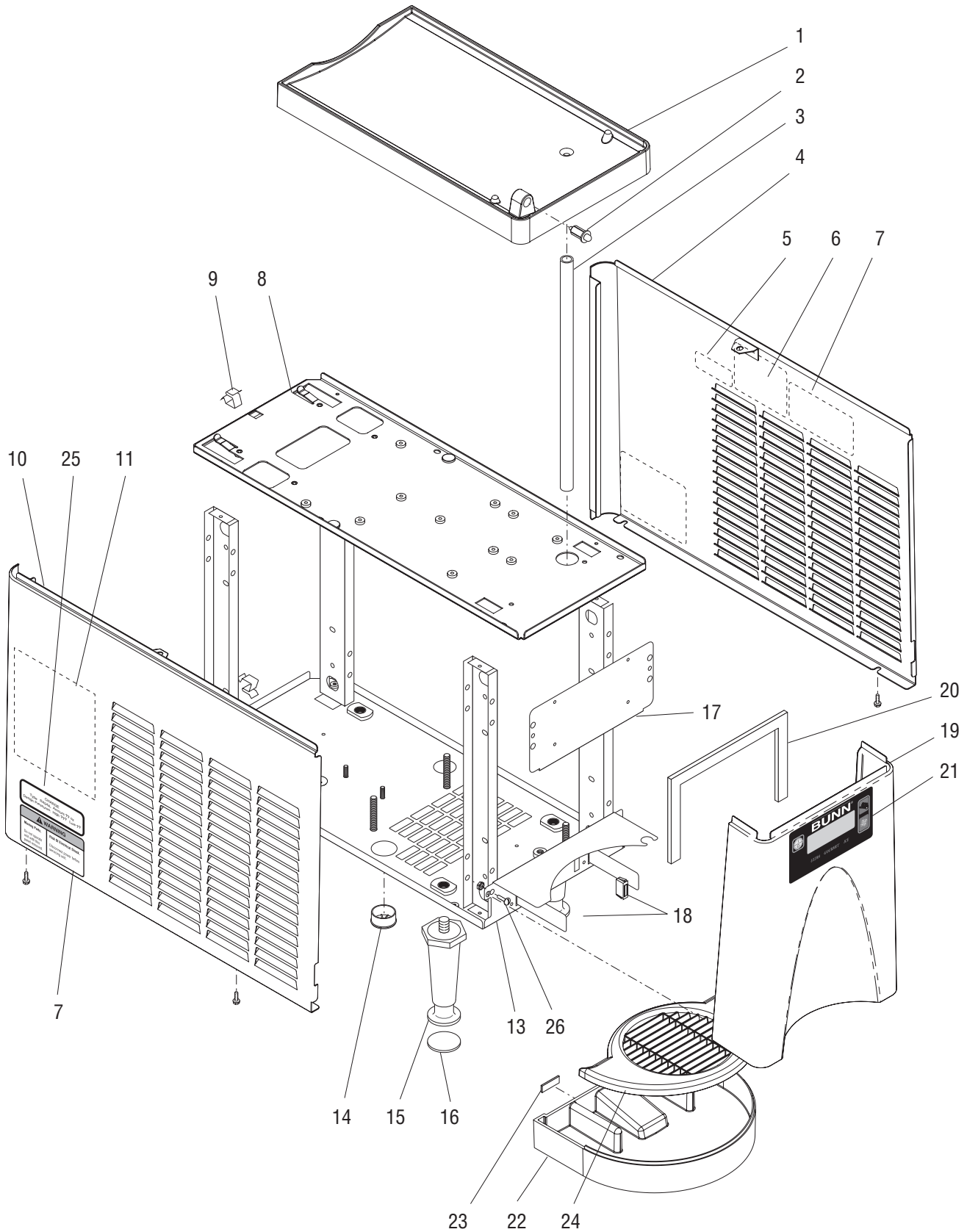
Hopper, Cover and Faucet 8

Internal Liquid Autofill Kit (Optional)..... 26

Numerical Index..... 28

Solenoid and Coolant Piping 22

Liquid Autofill (LAF CF) Kit..... 10



P3943

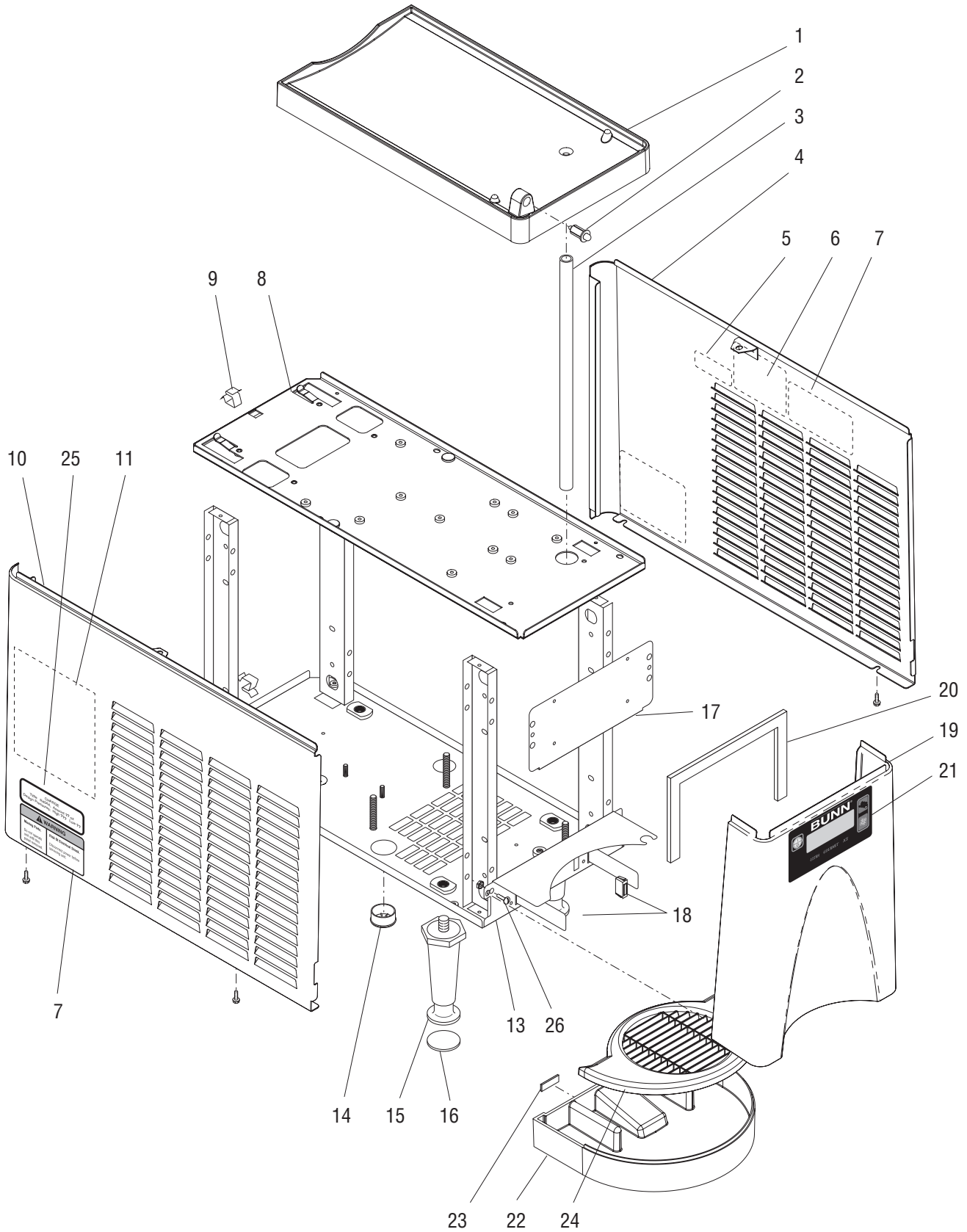
HOUSING, PANELS AND DRIP TRAYS

ITEM	PART NO.	QTY.	DESCRIPTION
1	39898.1000	1	Drip Tray, Hopper - WHI (Includes item 2)
	39898.1001	1	Drip Tray, Hopper - BLK (Includes item 2)
	02308.0000	4	Screw, Pan Head Serrated #8-32 x .375"
2	29702.1000	1	Plunger Assy, Hopper Lock
3	12421.0010*	2	Tube, Drain .375" I.D. x .50" O.D. x 11.25" (Order item 27)
4	40010.1000	1	Panel W/Decals, Right Side - SST (Includes items 5-7)
	40010.1002	1	Panel W/Decals, Right Side - BLK (Includes items 5-7)
	32580.0000	2	Screw, Hex Head #6-32 x .25"
5	29979.0000	1	Decal, Room Temperature
6	00986.0002	1	Decal, Warning - Electrical
7	27442.0000	2	Decal, Warning - Moving Parts
8	39889.0000*	1	Panel, Top
	02335.0001	4	Screw, Hex Head Crimptite #8-32 x .38"
9	00927.0000	2	Clip, Spring
10	40010.1001	1	Panel W/Decals, Left Side - SST (Includes items 7,11,12 & 25)
	40010.1003	1	Panel W/Decals, Left Side - BLK (Includes items 7,11,12 & 25)
	32580.0000	2	Screw, Hex Head #6-32 x .25"
11	40561.0000	1	Schematic, Electrical
12	29959.0002	1	Decal, Cleaning Instructions (Early Models)(Not Illustrated)
13	39887.0003*	1	Chassis
14	20622.0005	1	Bushing
15	26528.0000	4	Leg, Black Plastic - 4" Adj. (See item 28)
16	03996.0000	4	Pad, Rubber - 4" Adj. Legs (See item 28)
17	39892.0001*	1	Bracket
	02335.0001	4	Screw, Hex Head Crimptite #8-32 x .38"
18	21436.0000	2	Catch, Magnetic
19	39893.1000	1	Panel, Front - SST (Includes items 20 & 21)
	39893.1001	1	Panel, Front - BLK (Includes items 20 & 21)
	02308.0000	2	Screw, Pan Head Serrated #8-32 x .375"
20	29967.0003	1	Gasket, Electronic Box
21	39897.0000	1	Membrane Switch
22	39917.1000	1	Drip Tray Kit - WHI (Includes items 23 & 24)
	39917.1001	1	Drip Tray Kit - BLK (Includes items 23 & 24)
23	35607.0000*	2	Strike Assy, Self Adhesive

(Continued)

* Indicates the part number listed is for reference only. See DESCRIPTION for possible service replacement.

(Continued)



P3943

HOUSING, PANELS AND DRIP TRAYS

ITEM	PART NO.	QTY.	DESCRIPTION
24	39725.0000	1	Cover, Drip Tray - WHI
	39725.0001	1	Cover, Drip Tray - BLK
25	32162.0001	1	Decal, Coolant Charge (ULTRA-1)
	29373.0001	1	Decal, Coolant Charge (ULTRA-1A)
26	02308.0000	2	Screw, Pan Head Serrated #8-32 x .375"
	00970.0000	2	Nut, KEPS #8-32
27	12421.1001	-	Tube, Clear Vinyl (12" Long)
	12421.1002	-	Tube, Clear Vinyl (60" Long)
28	13255.0003	-	Leg Kit, 4" Adj. Legs (Includes 4 Legs and Pads)

} Not Illustrated

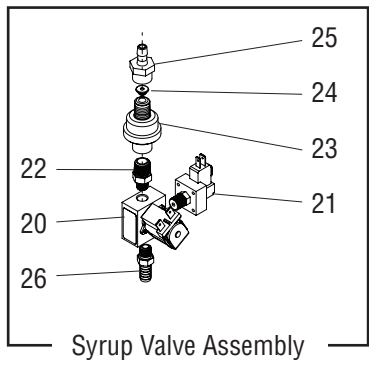
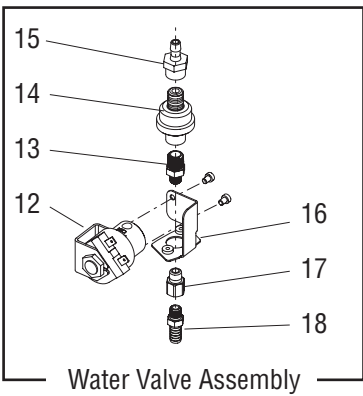
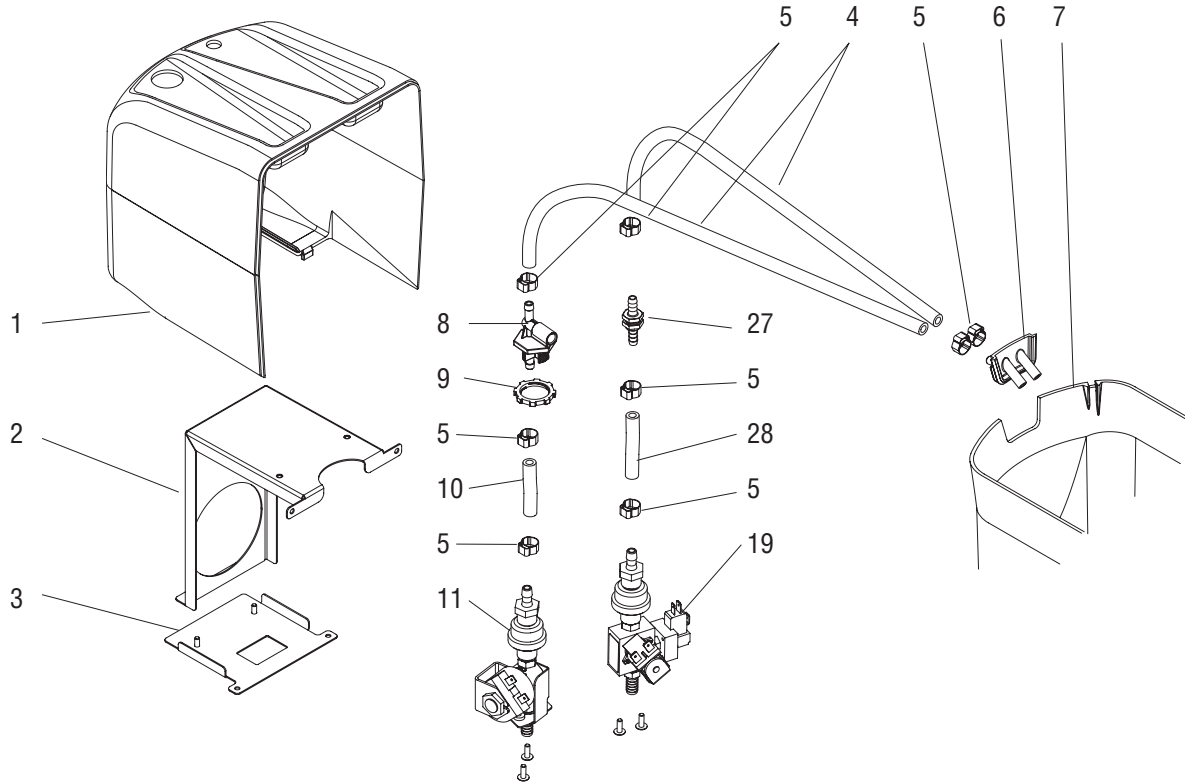
* Indicates the part number listed is for reference only. See DESCRIPTION for possible service replacement.

HOPPER, COVER AND FAUCET

ITEM	PART NO.	QTY.	DESCRIPTION
-	32069.1000	2	Cover Assembly, Hopper, WHI (Includes items 1 thru 7)(Incandescent Bulb)
	32069.1001	2	Cover Assembly, Hopper, BLK (Includes items 1 thru 7)(Incandescent Bulb)
	47315.0000	2	Cover Assembly, Hopper, WHI (Includes items 1,2,5,6,7, and 24)(LED Lights)
	47315.0001	2	Cover Assembly, Hopper, BLK (Includes items 1,2,5,6,7, and 24)(LED Lights)
1	32196.0000	1	Cover, Hopper - WHI
	32196.0001	1	Cover, Hopper - BLK
	01315.0000	2	Screw, Truss Head #8-32 x .38"
2	32105.0000	2	Insert, Hopper Lid Vent - WHI
	32105.0001	2	Insert, Hopper Lid Vent - BLK
3	27446.0000	2	Lamp, T-5 Wedge Base
4	27445.1000	1	Lamp Holder/Socket Assy (Includes two of item 15)
	32096.0000	2	Screw, Pan Head #2-56 x .50"
5	32266.0000	2	Insert, Hopper Display
6	32195.0000	1	Liner Assy, Hopper Cover
7	32267.1000	1	Cord Assy, Lamp (Includes two of item 15)
8	32190.1000	1	Hopper Assy. (Includes item 9)
	32190.1005	1	Hopper Assy. (Models LAF CF)(Includes item 9)
9	32189.0000	1	Bushing, Auger Nose
10	32191.0000	1	Faucet - WHI
11	32265.0001	1	Handle, Faucet - BLK (Optional For Crew Serve Applications)
12	32193.0000	1	Spring, Faucet
13	32268.1000	1	Seal
14	27643.1000	1	Connector Assy (Includes Nut, Washer, Leads & Plug)
	39967.0000	1	Washer, SST
	01532.0001	1	Lockwasher, Internal-tooth .375"
15	39257.0000	2	Tether/Probe Kit (For Models Autofill Ready)
	01393.0000	2	Screw, Truss Head #6 x .25"
16	29481.0001	1	Cover, Flat (Includes item 17)
17	00778.0000	1	Decal, BUNN
18	28776.0001	2	Plug (One less used on Liquid Autofill with No Water lines)
	24566.0000	2	Nut
19	28756.1000	2	Fitting, Quick Disconnect, Female
20	28755.0003*	2	Tube, Norprene .25" ID x 1.25"
21	28770.0000	2	Elbow .25" Barb x .50" Barb
22	03851.0000	2	Wire Nut (Not Illustrated)
23	44614.1000	1	Handle, Faucet (Low Level Access)
24	46331.0001	1	LED & Cord Assy
	32096.0002	2	Screw, Pan Head #2-28 x .38"
25	38021.0000	1	Fitting, Quick Disconnect, .25" Male
	42921.0000	1	Fitting, Quick Disconnect, .38" Male

Internal Autofill
Ready Models

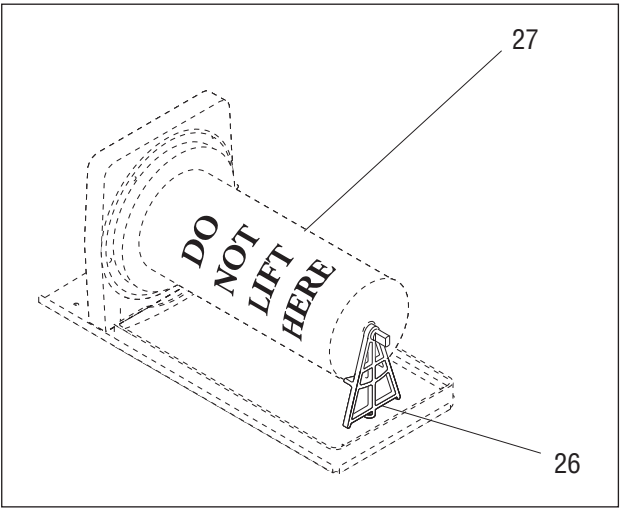
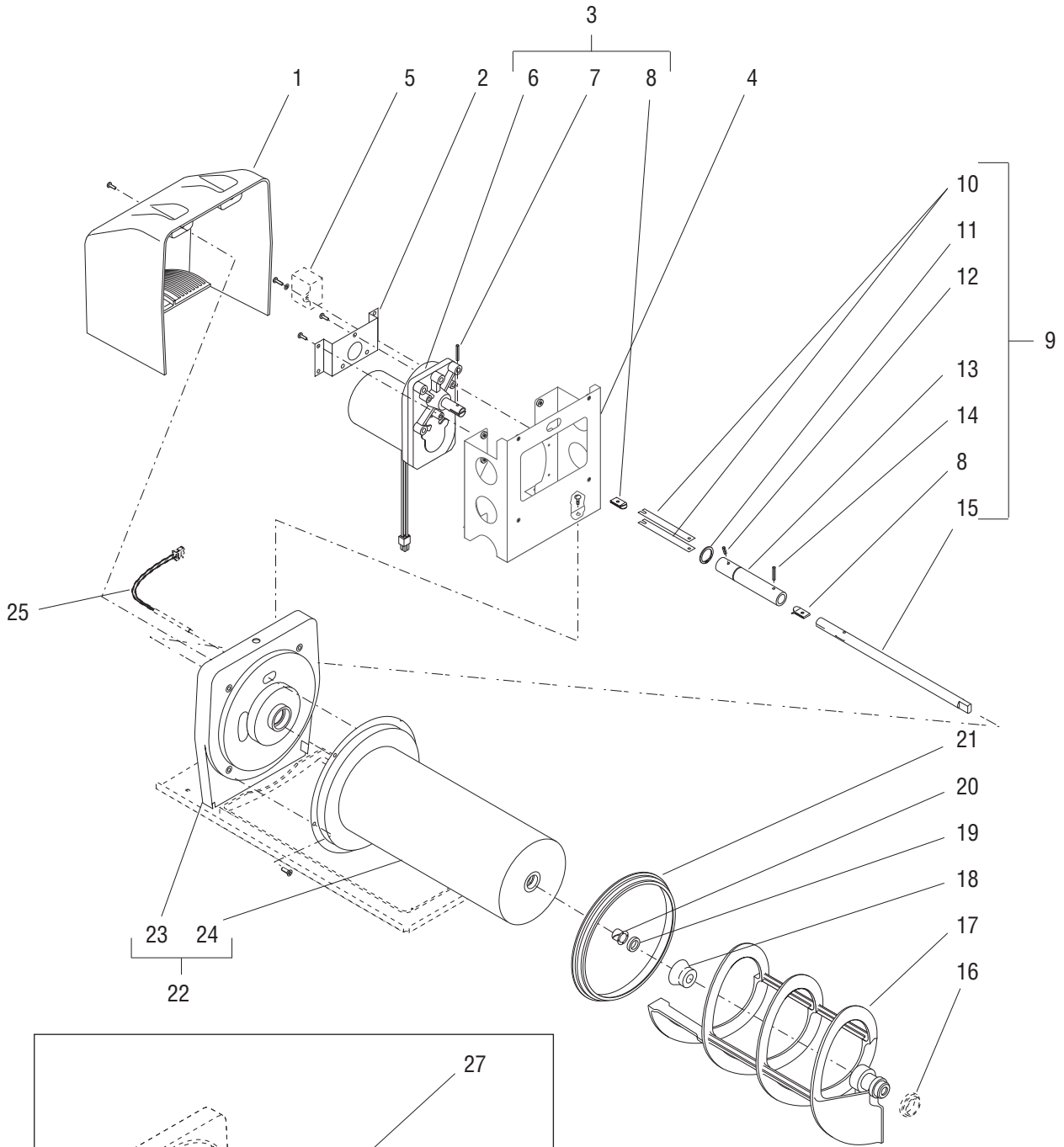
* Indicates the part number listed is for reference only. See DESCRIPTION for possible service replacement.



LIQUID AUTOFILL (LAF CF) KIT

ITEM	PART NO.	QTY.	DESCRIPTION
1	-----	1	Cover, Auger Motor (See AUGER DRIVE & COOLING DRUM)
2	43145.0000	1	Bracket, Support
	00970.0000	4	Nut, Keps #8-32
3	43131.0000	1	Bracket, Cover Mounting
	02308.0000	2	Screw, Pan Head Serrated #8-32 x .375"
4	38129.0017*	2	Hose, Braided .25" ID x 11.0" (Order item 29)
5	21275.0006	8	Clamp
6	43823.0000	1	Fitting
7	-----	1	Hopper (See HOPPER, COVER AND FAUCET)
8	43115.0000	1	Valve, Needle
9	45042.0000	1	Locknut
10	38129.0023*	1	Hose, Braided .25" ID x 1.75" (Order item 29)
11	43130.1001	1	Valve Assy, Water (Includes items 12 - 18)
	01317.0000	2	Screw, Truss Head #8-32 x .50"
12	01085.0008	1	Valve, Solenoid
	44945.0000	2	Screw
13	46341.0000	1	Fitting
14	42193.0000	1	CF Valve
15	43124.0000	1	Fitting
16	43907.0000	1	Bracket
17	00430.0001	1	Adapter
18	43122.0002	1	Fitting
19	43130.1002	1	Valve Assy, Syrup (Includes items 20 - 26)
	01317.0000	2	Screw, Truss Head #8-32 x .50"
20	43128.0000	1	Valve, Solenoid
21	44011.0000	1	Switch, Pressure
22	46341.0000	1	Fitting
23	42193.0000	1	CF Valve
24	43941.0000	1	Orifice, .0465 BLK
	43941.0001	1	Orifice, .0350 WHT
25	43124.0000	1	Fiting
26	43122.0002	1	Fitting
27	43121.0000	1	Fitting, Bulkhead
28	38129.0005*	1	Hose, Braided .25" ID x 2.25" (Order item 29)
29	38129.1000	-	Hose, Braided .25" ID x 12.0" (Cut to required length)
30	43841.0000	1	Harness, Valve Wiring (not Illustrated)

* Indicates the part number listed is for reference only. See DESCRIPTION for possible service replacement.



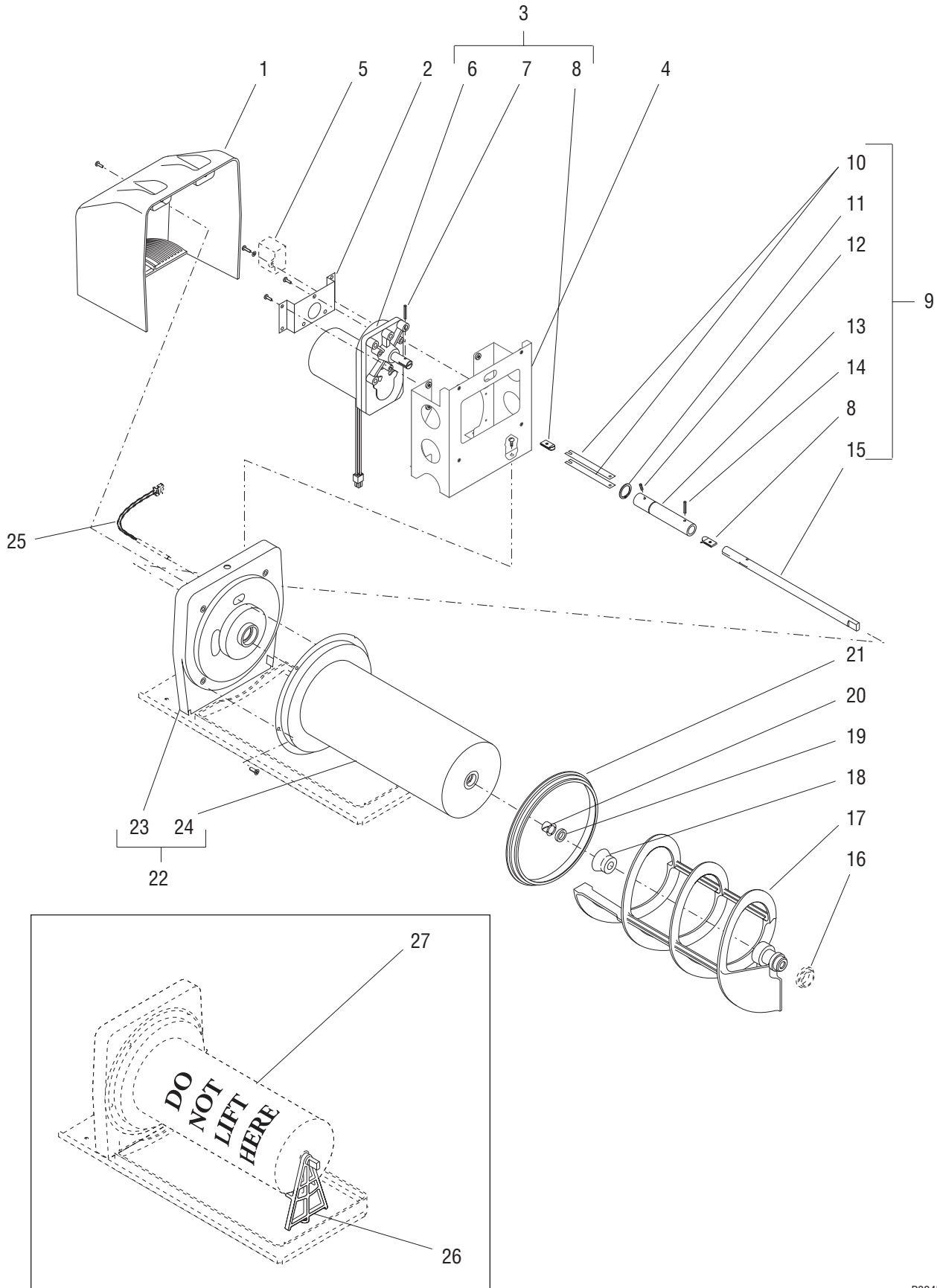
AUGER DRIVE AND COOLING DRUM

ITEM	PART NO.	QTY.	DESCRIPTION
1	27231.0000	1	Cover, Auger Motor - WHI
	27231.0001	1	Cover, Auger Motor - BLK
	43118.0000	1	Cover, Auger Motor - WHI
	43118.0001	1	Cover, Auger Motor - BLK
	01317.0000	2	Screw, Truss Head #8-32 x .50"
2	27232.0000	1	Bracket, Auger Motor Mounting
	02308.0000	3	Screw, Pan Head Serrated #8-32 x .375"
3	28093.1000	1	Motor Assy, Auger 120V (Includes items 6, 7 & 8)
	28093.1003	1	Motor Assy, Auger 230V (Includes items 6, 7 & 8)
	01326.0002	3	Screw, Pan Head #10-32 x .375"
4	32108.0002	1	Bracket, Auger Motor/Cooling Drum Mounting
	02308.0000	4	Screw, Pan Head Serrated #8-32 x .375"
5	-----	1	Capacitor, Motor (See ELECTRICAL AND OPERATING CONTROLS)
	01317.0000	1	Screw, Truss Head #8-32 x .50"
	01501.0000	1	Washer #8
	01511.0000	1	Lockwasher, Ext.-tooth #8
6	27179.0004*	1	Motor Assembly, 120V, Auger (Order item 3)
	27179.0005*	1	Motor Assembly, 230V, Auger (Order item 3)
7	34836.0002	1	Pin, Drive .125" O.D. x .94"
8	27440.0000	2	Bearing, Torsion Spring
9	28081.0000	1	Shaft Assy, Auger Drive (Includes items 8, 10 thru 15) (Also use item 28)
10	27223.0000	2	Spring, Torsion
11	27228.0000	1	Snap Ring
12	11556.0001	1	Pin, Split .125" O.D. x .437"
13	27224.0000	1	Retainer, Torsion Spring
14	34836.0001	1	Pin, Drive .125" O.D. x .75"
15	32449.0000	1	Shaft, Auger
16	32189.0000	1	Bushing, Auger - Front
17	32106.1000	1	Auger
18	26780.0000	1	Seal, Auger Shaft
19	37593.0000	1	Seal, Cooling Drum
20	26781.0000	1	Bushing, Auger Shaft
21	32079.0000	1	Seal, Cooling Drum/Hopper
22	32092.0002	1	Drum Assembly, Cooling - WHI (Includes items 23 & 24)
	32092.1003	1	Drum Assembly, Cooling - BLK (Includes items 23 & 24)
	01377.0000	4	Screw, Flat Head #8-32 x .75"
23	42175.0002	1	Mount Assembly, Cooling Drum - WHI
	42175.0003	1	Mount Assembly, Cooling Drum - BLK

(Continued)

* Indicates the part number listed is for reference only. See DESCRIPTION for possible service replacement.

(Continued)

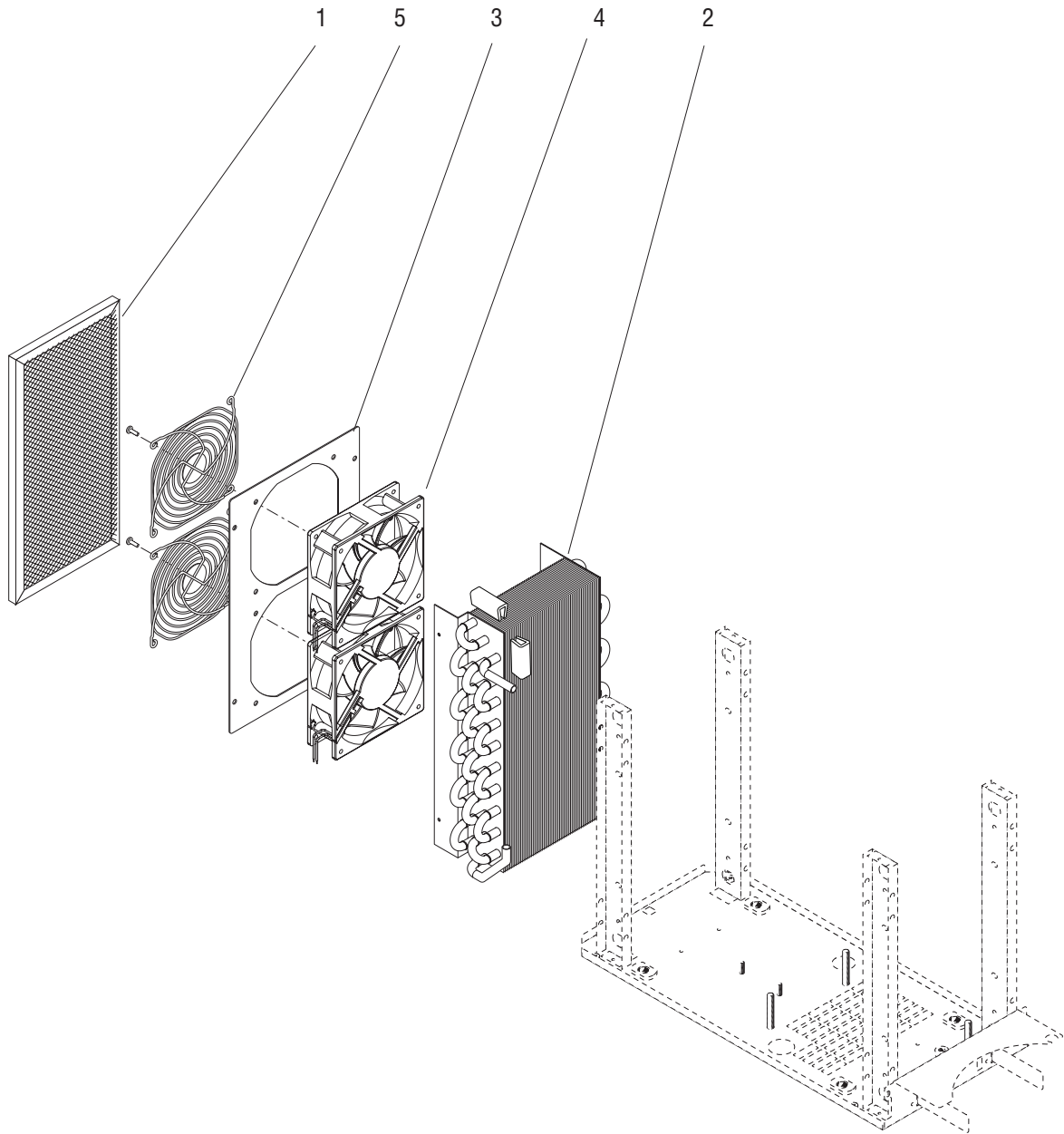


P3945

AUGER DRIVE AND COOLING DRUM

ITEM	PART NO.	QTY.	DESCRIPTION
24	-----	1	Drum, Cooling (Not Available. Order item 22)
25	-----	-	Temperature Sensor Assy (See ELECTRICAL AND OPERATING CONTROLS)
26	28027.0000	1	Support, Cooling Drum (For Shipping and Cooling Drum Adjustment)
27	28236.0000*	1	Label, DO NOT LIFT HERE (For Shipping Only)
28	M2548.1001	-	Lubricant, Krytox .50 oz (Not illustrated)

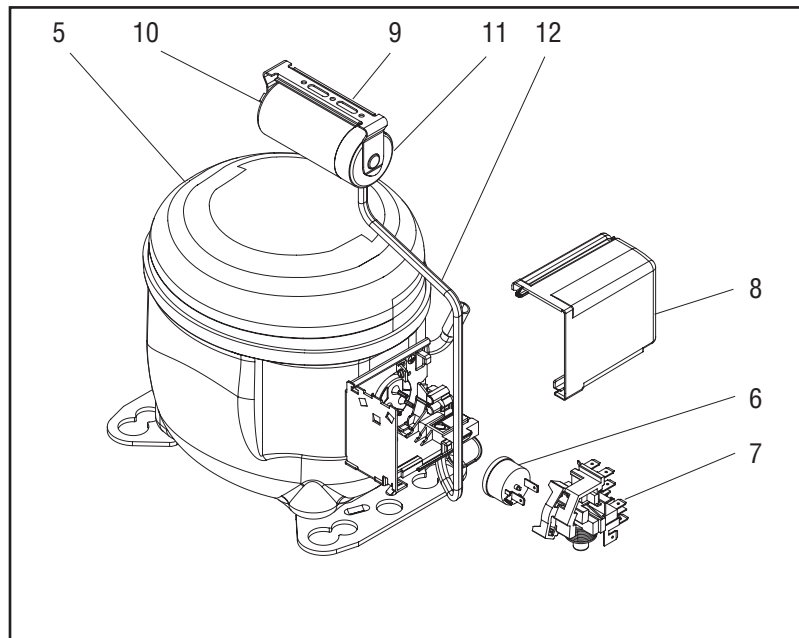
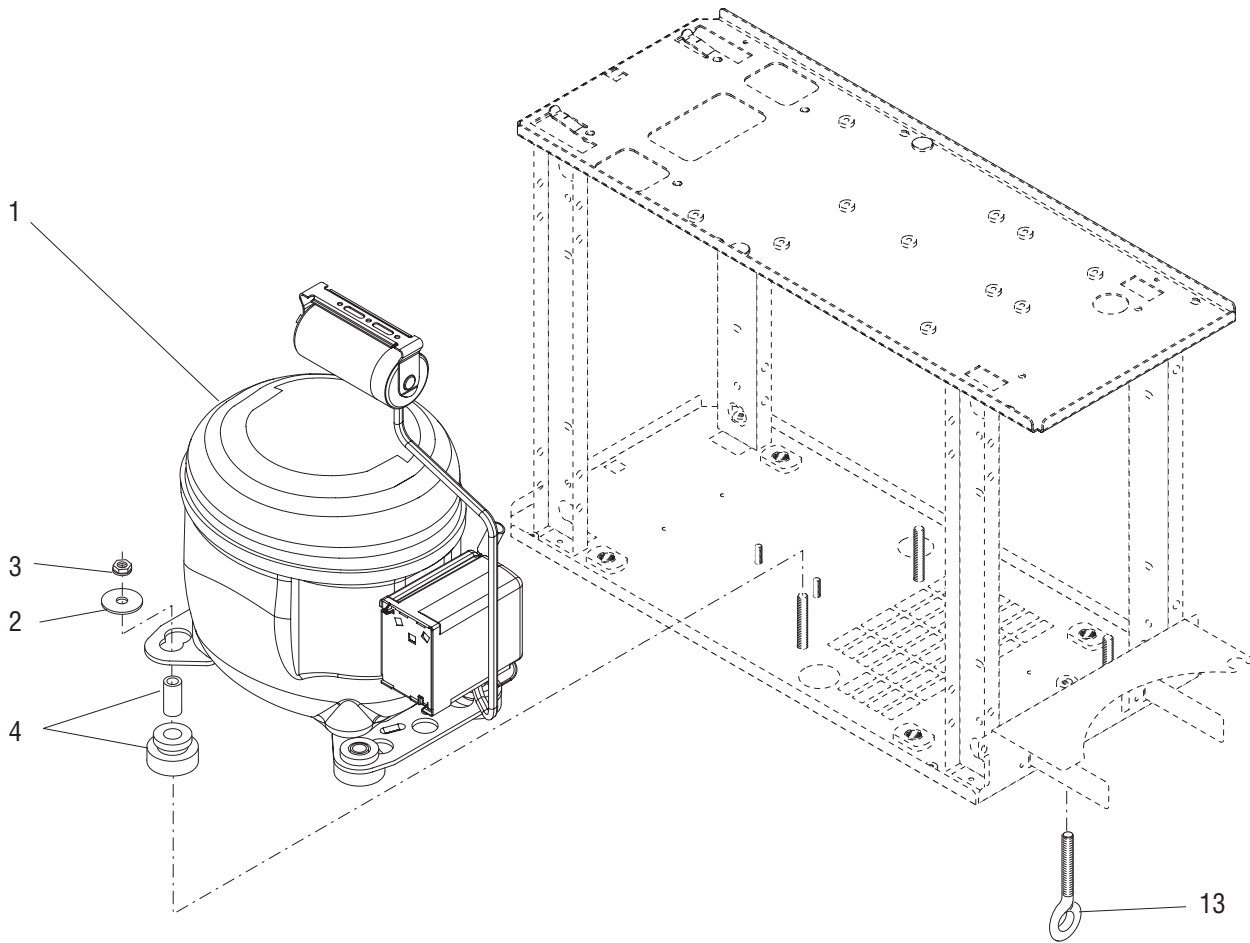
* Indicates the part number listed is for reference only. See DESCRIPTION for possible service replacement.



CONDENSER AND FAN MOUNTING

ITEM	PART NO.	QTY.	DESCRIPTION
1	39919.0000	1	Filter, Air
2	39966.0001 02335.0001	1 4	Condenser Assy Screw, Hex Head Crimptite #8-32 x .38"
3	39903.0000* 02335.0001	1 4	Shroud, Fan Screw, Hex Head Crimptite #8-32 x .38"
4	40412.0001	2	Fan Assy, Condenser - 12V
5	34010.0001 38616.0000	2 8	Guard, Fan Screw, Hex Head #10-24

* Indicates the part number listed is for reference only. See DESCRIPTION for possible service replacement.

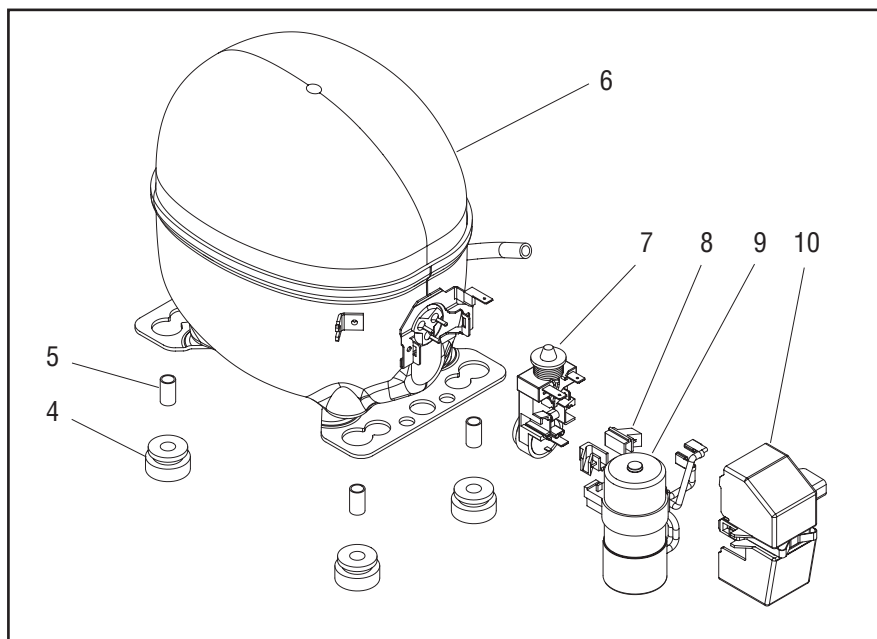
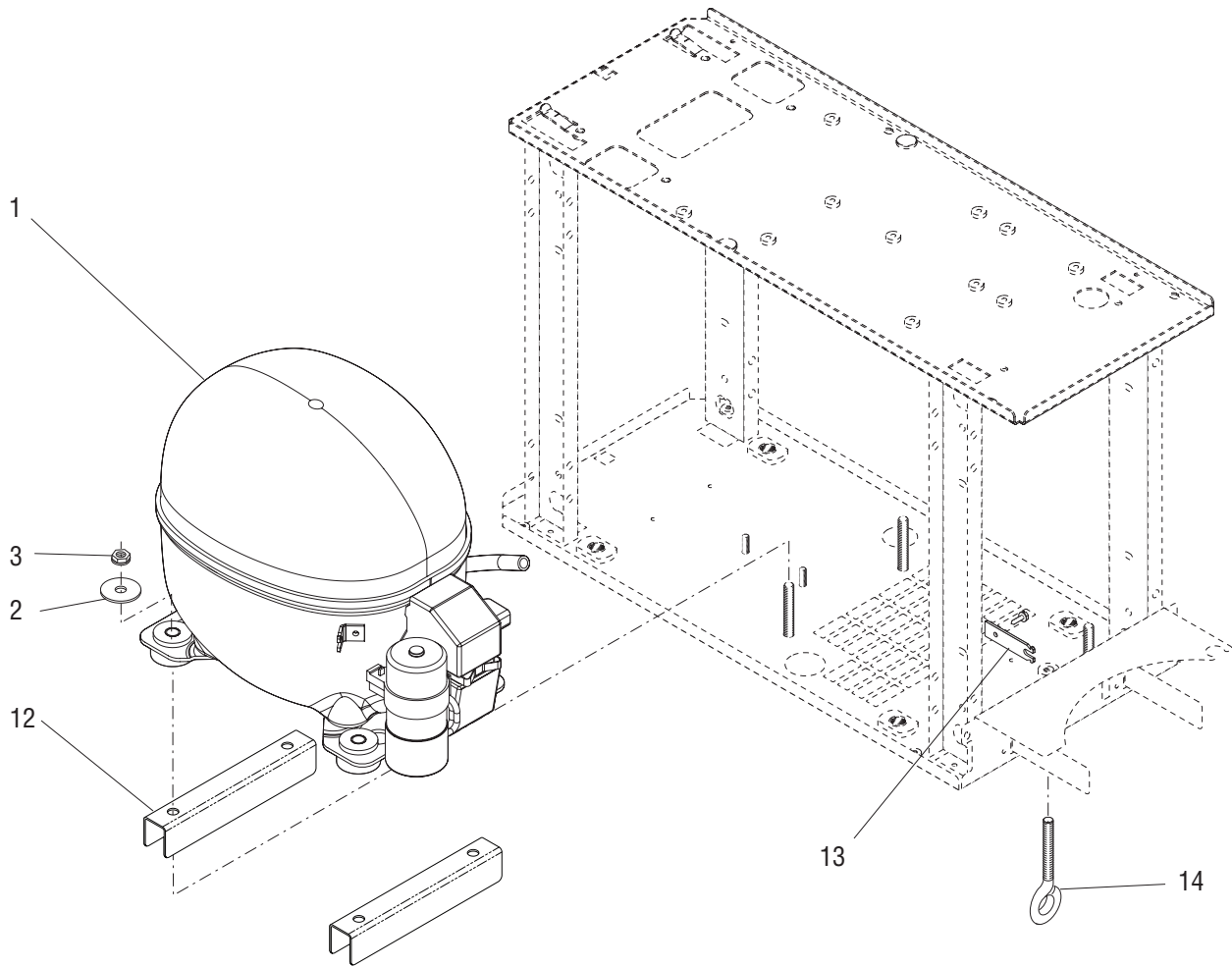


COMPRESSOR AND MOUNTING (120V & 230V Models)

ITEM	PART NO.	QTY.	DESCRIPTION
1	39906.1000 39906.1001	1 1	Compressor Assy (Model ML60TR) 115V (Includes items 4 thru 12) Compressor Assy (Model ML80TG) 230V (Includes items 4 thru 12)
2	34529.0000*	4	Washer, .281" I.D. x 1.0" O.D.
3	23700.0000	4	Nut, Hex Keps .25"-20
4	40619.0000	1	Grommet & Sleeve Kit (Set of 4 each)
5	-----	1	Compressor (Not Available. Order item 1)
6	39908.0000 39908.0001	1 1	Overload Protector 120V Overload Protector 230V
7	39912.0000 39912.0001	1 1	Relay, Compressor Start 115V Relay, Compressor Start 230V
8	39907.0000	1	Cover, Compressor Terminal
9	39911.0000 39911.0001 02308.0000	1 1 2	Bracket, Capacitor 120V Bracket, Capacitor 230V Screw, Pan Head Serrated #8-32 x .375"
10	39909.0000 39909.0001	1 1	Capacitor, Run 120V Capacitor, Run 230V
11	39910.0000 39910.0001	1 1	Cover 120V Cover 230V
12	40613.0000	1	Cable, Start Capacitor
13	----- -----	1 1	Eyebolt (Shipping Only) Tag, Eyebolt Shipping Notice (Not illustrated)
14	28651.0000	1	Label - R404A (Not illustrated)
15	41397.0000	1	Strain Relief (Not illustrated)
16	40694.0000	-	Mounting Kit, Compressor (Includes 4 each of items 2 - 4)

} See item 16

* Indicates the part number listed is for reference only. See DESCRIPTION for possible service replacement.



COMPRESSOR AND MOUNTING (100V Models)

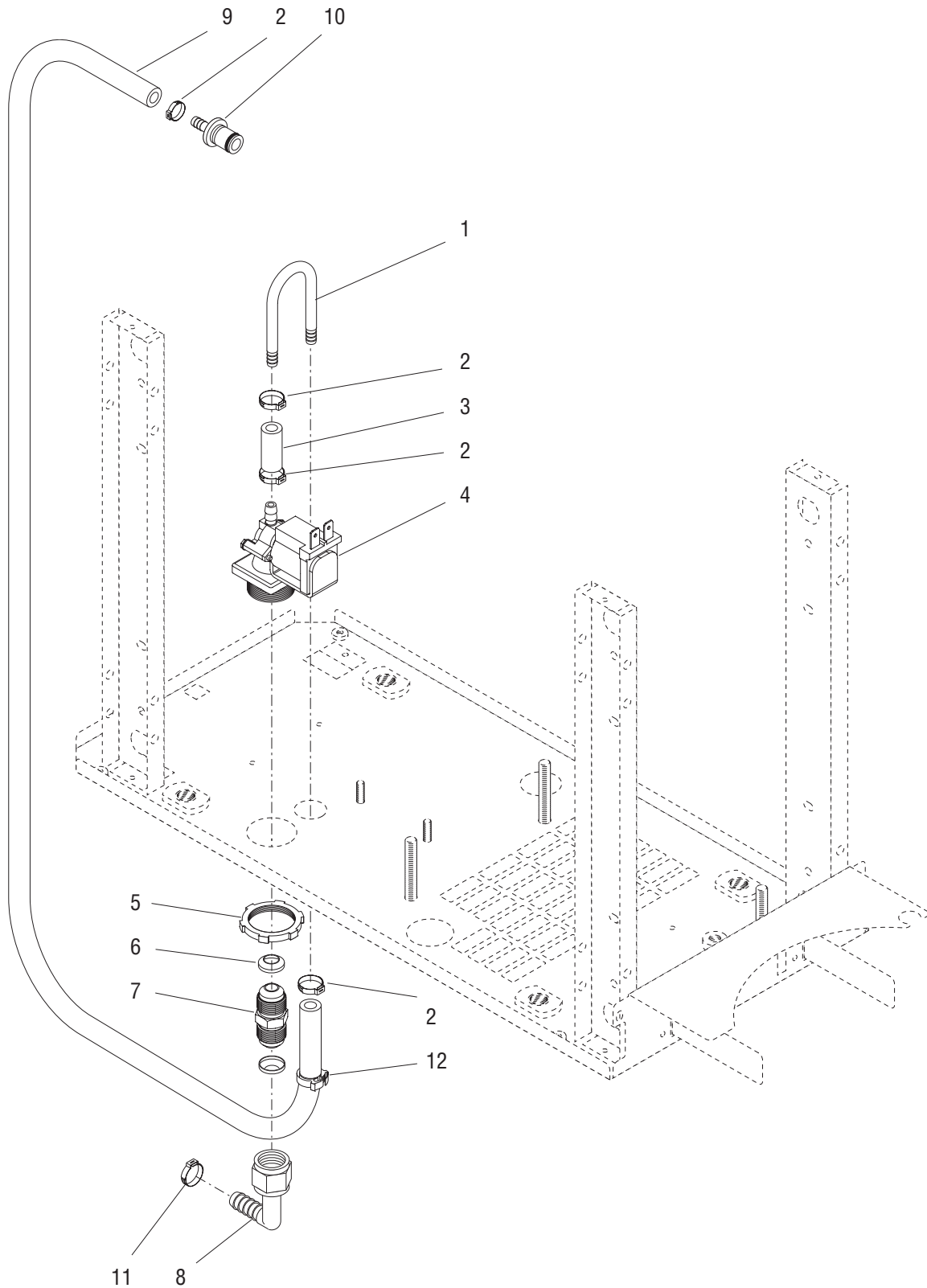
ITEM	PART NO.	QTY.	DESCRIPTION
1	42190.1000	1	Compressor Assy (Model NF 5.5CLX) 115V (Includes items 4 thru 11)
2	34529.0000*	4	Washer, .281" I.D. x 1.0" O.D.
3	23700.0000	4	Nut, Hex Keps .25"-20
4	42346.0000	4	Grommet
5	42436.0001	4	Sleeve
6	-----	1	Compressor (Not Available. Order item 1)
7	42187.0000	1	Relay, Compressor 115V
8	42188.0000	2	Strain Relief
9	42186.0000	1	Capacitor w/clip 115V
10	42189.0000	1	Cover
11	28651.0000	1	Label - R404A (Not illustrated)
12	42184.0000	2	Riser Bracket
13	42185.0000	1	Bracket, Capacitor
	02335.0001	1	Screw, Hex Head Crimptite #8-32 x .38"
14	-----	1	Eyebolt (Shipping Only)
	-----	1	Tag, Eyebolt Shipping Notice (Not illustrated)

* Indicates the part number listed is for reference only. See DESCRIPTION for possible service replacement.

SOLENOID AND COOLANT PIPING

ITEM	PART NO.	QTY.	DESCRIPTION
1	-----	1	Condenser (See Condenser and Fan Mounting)
2	40098.0000	1	Tube .375" O.D. Accumulator to Cooling Drum (Requires brazing to install)
3	27607.1002	1	Tube .093" O.D. Solenoid to Cooling Drum (Requires brazing to install)
4	-----	1	Cooling Drum (See Auger Drive and Cooling Drum)
5	32133.0000	1	Solenoid Assy (100V & 120V)
	32133.0001	1	Solenoid Assy (230V)
	02332.0001	1	Screw, Crimpite #6 x .25"
6	-----	1	Compressor (See Compressor and Mounting)
7	32256.0000	1	Dryer Assembly (Requires brazing to install)
8	-----	1	Tube, Adapter .187" OD (Early Models)
9	40207.0001	1	Tube .312" O.D. Accumulator to Compr. (120V, 230V)(Requires brazing to install)
	40207.0003	1	Tube .312" O.D. Accumulator to Compressor (100V)(Requires brazing to install)
10	40046.0001	1	Tube .250" O.D. Condenser to Compressor (120V, 230V)(Requires brazing to install)
	40046.0003	1	Tube .250" O.D. Condenser to Compressor (100V)(Requires brazing to install)
11	40053.0003	1	Tube, Condenser to Dryer (Requires brazing to install)
12	32257.0001	1	Accumulator, Suction (Requires brazing to install)
13	-----	1	Tube, Adapter .25" OD (Early Models)
14	27551.0000	1	Valve, Access (Includes items 15 & 16)(120V, 230V)(Requires brazing to install)
15	27641.0000	2	Cap, Valve Access
16	27642.0000	2	Valve Core
17	28645.0000	2	Valve, Access (Includes items 15 & 16) (Requires brazing to install)
18	40318.0000	1	Tube .250" O.D. Dryer to Access Valve (100V)(Requires brazing to install)
19	38937.0000	1	Tube .250" O.D. Process (100V)(Requires brazing to install)
20	32113.0001	1	Bracket, Solenoid Mounting
	02308.0000	1	Screw, Pan Head Serrated #8-32 x .375"
21	40122.0000	1	Insulation, Accumulator (Not Illustrated)
22	M2336.1000	-	Insulation, Tube .375" I.D. x 6 ft LG (As Required)
23	M2546.1000	-	Insulation Tape 30 Ft. Roll (As Required)

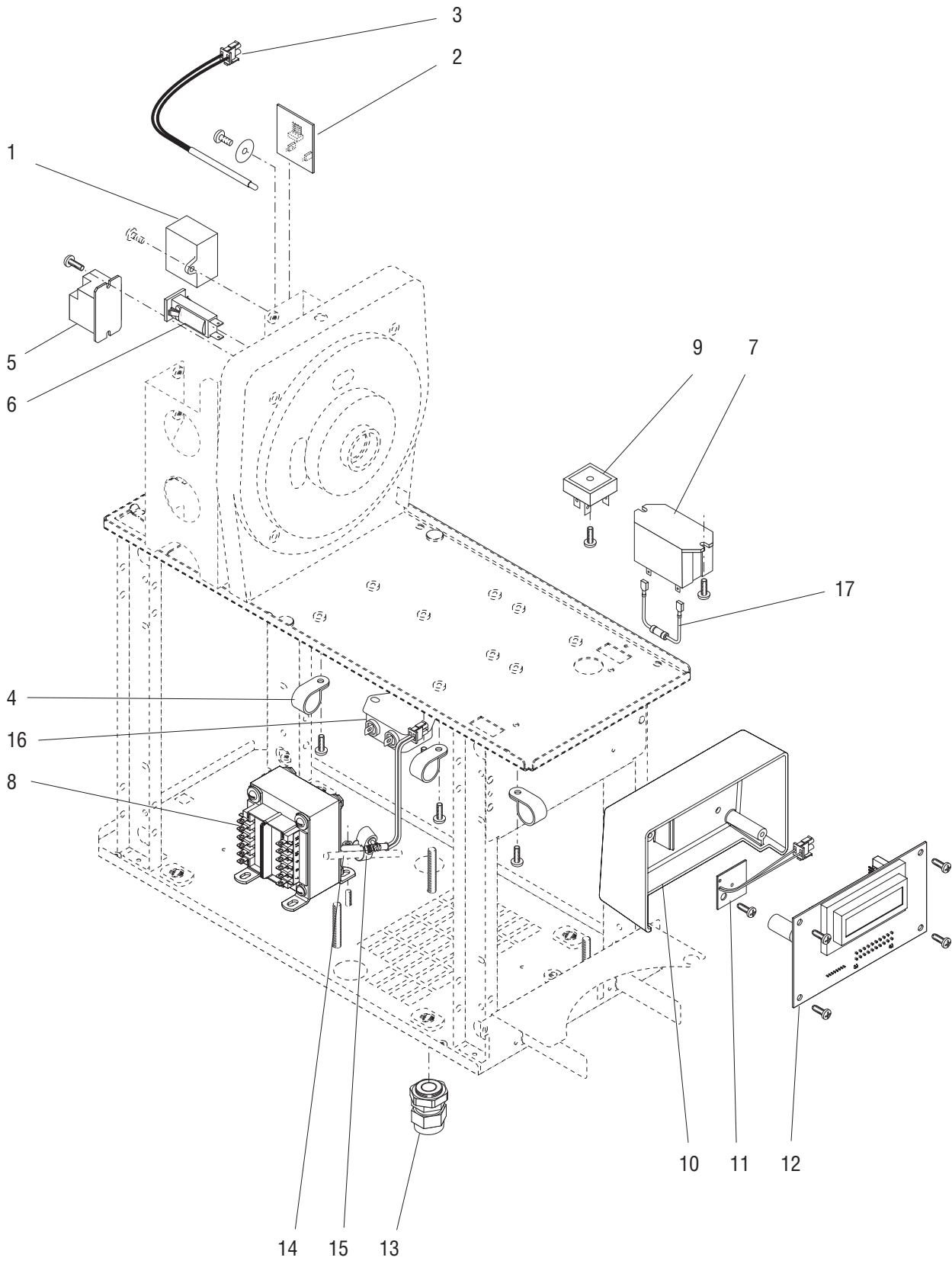
* Indicates the part number listed is for reference only. See DESCRIPTION for possible service replacement.



INTERNAL LIQUID AUTOFILL KIT (Optional)

ITEM	PART NO.	QTY.	DESCRIPTION
Quantities listed below are for one solenoid only. Two may required.			
1	37931.0000	1	Tube
2	21275.0002	4	Clamp .41 - .50"
3	32745.0028*	1	Hose .25" ID x 1.0"
4	37933.0000	1	Solenoid, Syrup Valve 120V
5	42853.0000	1	Locknut
6	33149.0000	2	Gasket
7	42858.0000	1	Fitting, Bulkhead .38" Fir
8	35174.0003	1	Fitting, Elbow .375" Barb x .375" Flare
9	32745.0027*	1	Hose .25" ID x 55.0"
10	38021.0000	1	Coupling .25" Barb
	42921.0000	1	Coupling .38" Barb (For Models using .38" ID hose)
11	21275.0003	2	Clamp .57 - .70"
12	12422.0000	1	Clamp .47-.54" ID

* Indicates the part number listed is for reference only. See DESCRIPTION for possible service replacement.



P3949

ELECTRICAL AND OPERATING CONTROLS

ITEM	PART NO.	QTY.	DESCRIPTION
1	27178.0000	1	Capacitor, Auger Motor 250 VAC - 120V
	27178.0001	1	Capacitor, Auger Motor 500 VAC - 230V
2	38708.1000	1	Circuit Board, Torque Sensor (120/230V)
	02308.0000	1	Screw, Pan Head Serrated #8-32 x .375"
	02360.0000	1	Washer, .188" I.D. x .75" O.D.
3	27246.1000	1	Temperature Sensor (Includes Connector)
	36329.0000*	1	Cable Tie
4	00603.0000	3	Clip
	02308.0000	3	Screw, Pan Head Serrated #8-32 x .375"
5	32104.0000	1	Relay, Lighting
	02332.0002	2	Screw, Hex Crimptite #6 x .38"
6	27181.0000	1	Circuit Breaker, 5 amp
7	37711.0000	1	Relay, 120V
	37711.0001	1	Relay, 230V
	02308.0000	2	Screw, Pan Head Serrated #8-32 x .375"
8	27644.1005	1	Transformer, 115V
	27644.1004	1	Transformer, 235V
	00970.0000	2	Nut, Keps #8-32
9	22126.0000	1	Rectifier
	01370.0000	1	Screw, Pan Head #8-32 x .75"
10	39895.0000	1	Box, Control Board
	02335.0001	4	Screw, Hex Head Crimptite #8-32 x .38"
11	32097.1000	1	Memory Clock Board 120V
	32097.1001	1	Memory Clock Board 230V
	24544.0000	1	Screw, Pan Head #8-18
12	39991.1000	1	Circuit Board, Main
	39991.1002	1	Circuit Board, Main (Models with Autofill)
	24544.0000	4	Screw, Pan Head #8-18
13	05746.1000	1	Bushing, Strain Relief
14	32269.0000	1	Probe, Thermister
15	29421.0001	1	Clamp, Worm Drive
16	29446.0001	1	EMI Filter, 230V
	02308.0000	2	Screw, Pan Head Serrated #8-32 x .375"
17	40770.0000	1	Resistor (230V)

The following items are not illustrated:

18	40568.0003	1	Harness, Main 120V
	40568.0001	1	Harness, Main 230V
	40568.0004	1	Harness, Main 120V (Models with Autofill)
	00970.0000	2	Nut, Keps #8-32 (Grounding)
19	20630.0009	1	Power Cord 120V
	38074.0027	1	Power Cord 230V
20	04243.0000	2	Terminal Housing, Main Harness

* Indicates the part number listed is for reference only. See DESCRIPTION for possible service replacement.

NUMERICAL INDEX

PART NO.	PAGE NO.	PART NO.	PAGE NO.	PART NO.	PAGE NO.	PART NO.	PAGE NO.
00430.0001	11	27607.1002	23	32745.0028	25	40046.0001	23
00603.0000	27	27641.0000	23	33149.0000	25	40046.0003	23
00778.0000	9	27642.0000	23	34010.0001	17	40053.0003	23
00927.0000	5	27643.1000	9	34529.0000	19,21	40098.0000	23
00970.0000	7,11,27	27644.1004	27	34836.0002	13	40122.0000	23
00986.0002	5	27644.1005	27	34836.0001	13	40207.0001	23
01085.0008	11	28027.0000	15	35174.0003	25	40207.0003	23
01315.0000	9	28081.0000	13	35607.0000	5	40412.0001	17
01317.0000	11,13	28093.1000	13	36329.0000	27	40561.0000	5
01326.0002	13	28093.1003	13	37593.0000	13	40568.0001	27
01370.0000	27	28236.0000	15	37711.0000	27	40568.0003	27
01377.0000	13	28645.0000	23	37711.0001	27	40568.0004	27
01393.0000	9	28651.0000	19,21	37931.0000	25	40613.0000	19
01501.0000	13	28755.0003	9	37933.0000	25	40619.0000	19
01511.0000	13	28756.1000	9	38021.0000	9,25	40694.0000	19
01532.0001	9	28770.0000	9	38074.0027	27	40770.0000	27
02308.0000	5,7,11,13,19,23,27	28776.0001	9	38129.0005	11	41397.0000	19
02332.0001	23	29373.0001	7	38129.0017	11	42175.0002	13
02332.0002	27	29421.0001	27	38129.0023	11	42175.0003	13
02335.0001	5,17,21,27	29446.0001	27	38129.1000	11	42184.0000	21
02360.0000	27	29481.0001	9	32189.0000	13	42185.0000	21
03851.0000	9	29702.1000	5	38616.0000	17	42186.0000	21
03996.0000	5	29959.0002	5	38708.1000	27	42187.0000	21
04243.0000	27	29967.0003	5	38937.0000	23	42188.0000	21
05746.1000	27	29979.0000	5	39725.0000	7	42189.0000	21
11556.0001	13	32069.1000	9	39725.0001	7	42190.1000	21
12421.0010	5	32069.1001	9	39887.0003	5	42193.0000	11
12421.1001	7	32079.0000	13	39889.0000	5	42318.0000	23
12421.1002	7	32092.0002	13	39892.0001	5	42346.0000	21
12422.0000	25	32092.1003	13	39893.1000	5	42346.0001	21
13255.0003	7	32096.0000	9	39893.1001	5	42853.0000	25
20622.0005	5	32096.0002	9	39895.0000	27	42858.0000	25
20630.0009	27	32097.1000	27	39897.0000	5	42921.0000	9,25
21275.0002	25	32097.1001	27	39898.1000	5	43115.0000	11
21275.0003	25	32104.0000	27	39898.1001	5	43118.0000	13
21275.0006	11	32105.0000	9	39903.0000	17	43118.0001	13
21436.0000	5	32105.0001	9	39906.1000	19	43121.0000	11
22126.0000	27	32106.1000	13	39906.1001	19	43122.0002	11
23700.0000	19,21	32108.0002	13	39907.0000	19	43124.0000	11
24544.0000	27	32113.0001	23	39908.0000	19	43128.0000	11
24566.0000	9	32133.0000	23	39908.0001	19	43130.1001	11
26528.0000	5	32133.0001	23	39909.0000	19	43130.1002	11
26780.0000	13	32162.0001	7	39909.0001	19	43131.0000	11
26781.0000	13	32189.0000	9,13	39910.0000	19	43145.0000	11
27178.0000	27	32190.1000	9	39910.0001	19	43823.0000	11
27178.0001	27	32190.1005	9	39911.0000	19	43841.0000	11
27179.0004	13	32191.0000	9	39911.0001	19	43907.0000	11
27179.0005	13	32193.0000	9	39912.0000	19	43941.0000	11
27181.0000	27	32195.0000	9	39912.0001	19	43941.0001	11
27223.0000	13	32196.0000	9	39917.1000	5	44011.0000	11
27224.0000	13	32196.0001	9	39917.1001	5	44614.1000	9
27228.0000	13	32256.0000	23	39919.0000	17	44945.0000	11
27231.0000	13	32257.0001	23	39257.0000	9	45042.0000	11
27231.0001	13	32265.0001	9	39966.0001	17	46341.0000	11
27232.0000	13	32266.0000	9	39967.0000	9	47315.0000	9
27246.1000	27	32267.1000	9	39991.1000	27	47315.0001	9
27440.0000	13	32268.1000	9	39991.1002	27	M2336.1000	23
27442.0000	5	32269.0000	27	40010.1000	5	M2546.1000	23
27445.1000	9	32449.0000	13	40010.1001	5	M2548.1001	15
27446.0000	9	32580.0000	5	40010.1002	5		
27551.0000	23	32745.0027	25	40010.1003	5		