



ULTRA-2



ILLUSTRATED PARTS CATALOG

Designs, materials, weights, specifications, and dimensions for equipment or replacement parts are subject to change without notice.

BUNN-O-MATIC CORPORATION

POST OFFICE BOX 3227

SPRINGFIELD, ILLINOIS 62708-3227

PHONE: (217) 529-6601 FAX: (217) 529-6644

www.bunn.com

To ensure you have the latest revision of the Operating Manual, Illustrated Parts Catalog, Programming Manual, or Service Manual, please visit the Bunn-O-Matic website, at www.bunn.com. This is absolutely FREE, and the quickest way to obtain the latest catalog and manual updates. For Technical Service, contact Bunn-O-Matic Corporation at 1-800-286-6070.

BUNN-O-MATIC COMMERCIAL PRODUCT WARRANTY

Warranty statements and information can be found on our website. Please visit commercial.bunn.com/support/warranty-lookup for further details.

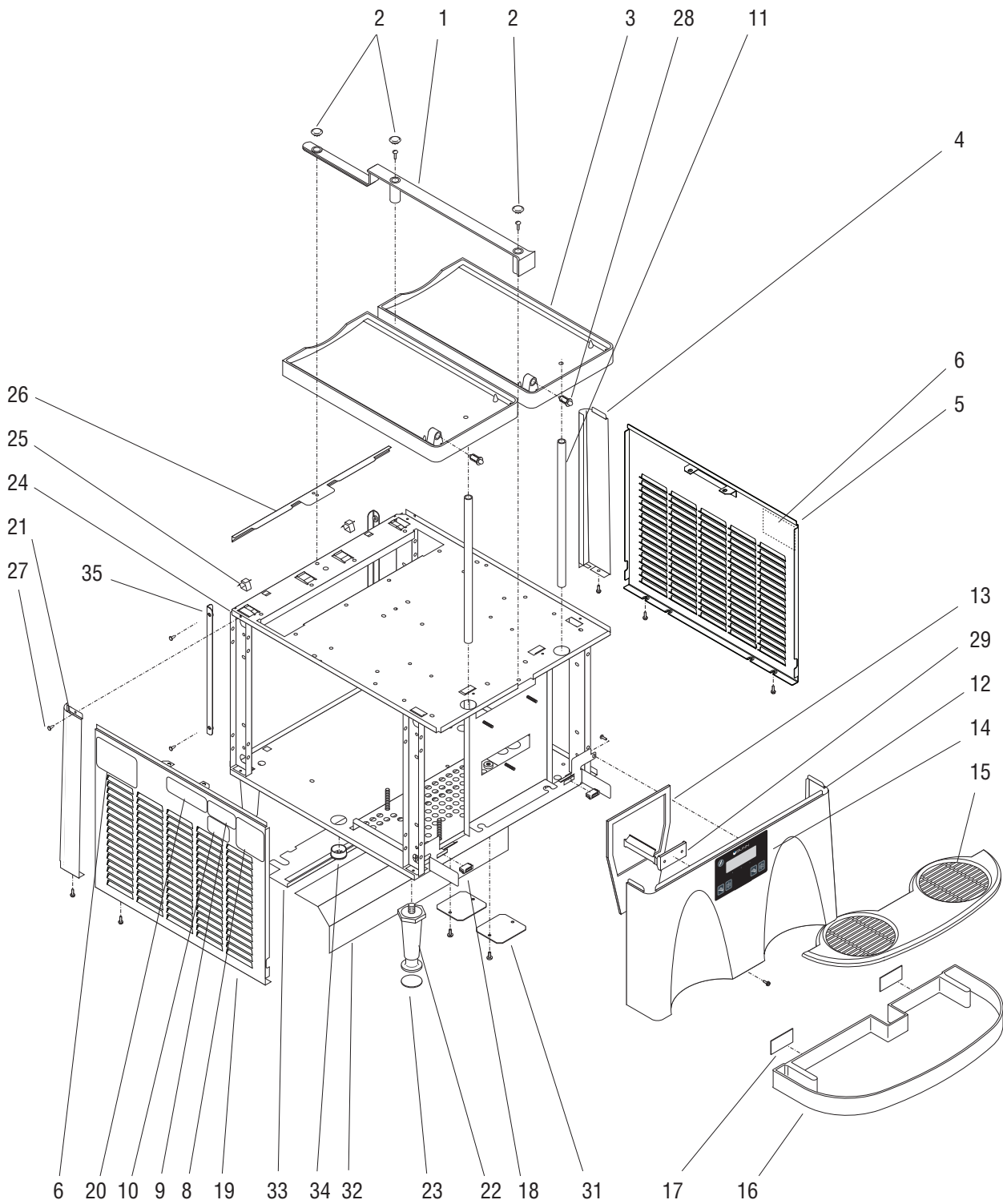
TABLE OF CONTENTS

Frame, Panels and Drip Tray.....	4
Hopper, Cover and Faucet.....	8
PAF Platform Assembly (Late Models)	10
Liquid Autofill (LAF CF) Kit	14
Auger Drive and Cooling Drum & PM Kit.....	16
Enhanced Auger Motor & Shaft Assy .188 Pin	20
Condenser and Fan Mounting.....	22
Condenser and Fan Mounting For PN: 34000.0351	24
Compressor and Mounting.....	26, 28, 30
Solenoid and Coolant Piping	32, 34, 36
Internal Liquid Autofill Kit (Optional)	38
Electrical and Operating Controls	40



FRAME, PANELS AND DRIP TRAYS

ULTRA - 2



P2508.35

FRAME, PANELS AND DRIP TRAYS

ITEM	PART NO.	QTY.	DESCRIPTION
1	27136.0002	1	Trim, Hopper/Drip Tray - WHI
	27136.0003	1	Trim, Hopper/Drip Tray - BLK
		2	Screw, Round Head - Locking #8-32 x .312"
2	27394.0000	3	Plug, Plastic - WHI
	27394.0001	3	Plug, Nylon - BLK
3	32111.0000	1	Drip Tray, Left Hopper - WHI
	32111.0001	1	Drip Tray, Left Hopper - BLK
	32111.0002	1	Drip Tray, Right Hopper - WHI
	32111.0003	1	Drip Tray, Right Hopper - BLK
	01311.0001	8	Screw, Truss Head - Locking #8-32 x .25"
4	OBSOLETE	1	Corner, Right Rear - SST (without Filter Stop)
	OBSOLETE	1	Corner, Right Rear - BLK (without Filter Stop)
	27058.0010	1	Corner, Right Rear - SST (with Filter Stop)
	27058.0014	1	Corner, Right Rear - BLK (with Filter Stop)
	32580.0000	1	Screw, Hex Head #6-32 x .25"
5	36182.1006	1	Panel W/Decals, Right Side - SST
	36182.1007	1	Panel W/Decals, Right Side - BLK
	32580.0000	2	Screw, Hex Head #6-32 x .25"
6	27442.0000	2	Decal, Warning - Moving Parts
			Each includes item 6
7	OBSOLETE	1	Schematic, Electrical 120V (ULTRA-2)
	OBSOLETE	1	Schematic, Electrical 100V (ULTRA-2B)
8			Early Models
	00986.0002	1	Decal, Warning - Electrical
9	51696.0000	1	Decal, Caution - Two Power Cords
10	29979.0000	1	Decal, Room Temperature
11	-----	2	Tube, Drain .375" I.D. x .50" O.D. x 10.50" (Order item 37)
12	32116.1000	1	Panel, Front - SST (Includes items 13,14 & 29)
	32116.1001	1	Panel, Front - BLK (Includes items 13,14 & 29)
	32580.0000	1	Screw, Hex Head #6 x .25"
	02308.0000	2	Screw, Pan Head Serrated #8-32 x .375"
13	OBSOLETE	1	Gasket, Electronic Box
14	32126.1004	1	Kit, Membrane Switch ULTRA-2 Black
15	32068.0000	1	Cover, Lower Drip Tray - WHI
	32068.0001	1	Cover, Lower Drip Tray - BLK
16	28086.0000	1	Drip Tray, Lower - WHI (Includes item 17)
	28086.0001	1	Drip Tray, Lower - BLK (Includes item 17)
17	21437.1000	2	Strike Assy, Self Adhesive
18	21436.0000	2	Catch, Magnetic

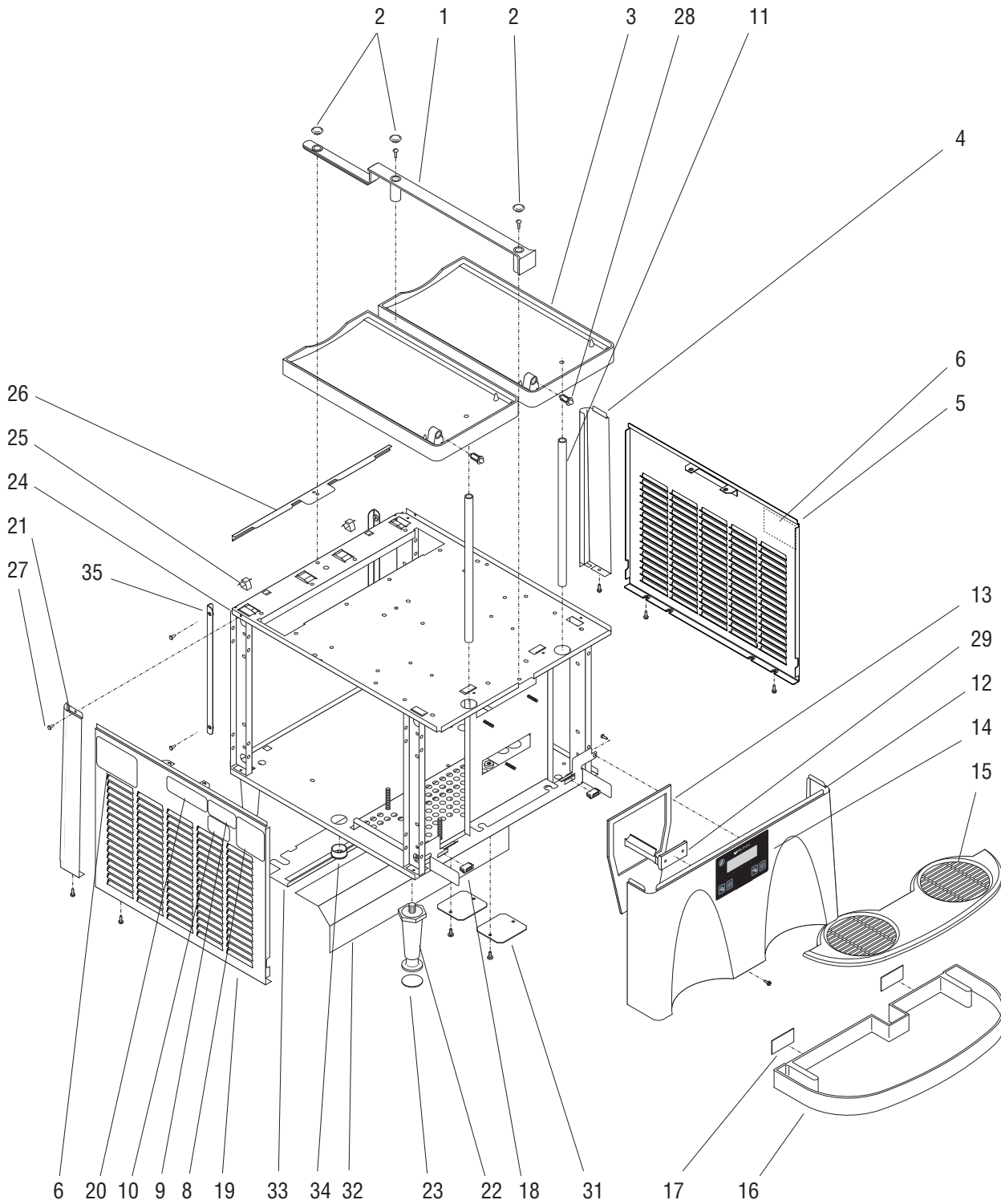
(Continued)



FRAME, PANELS AND DRIP TRAYS

ULTRA - 2

(Continued)



P2508.35

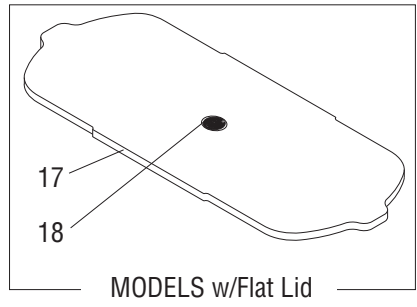
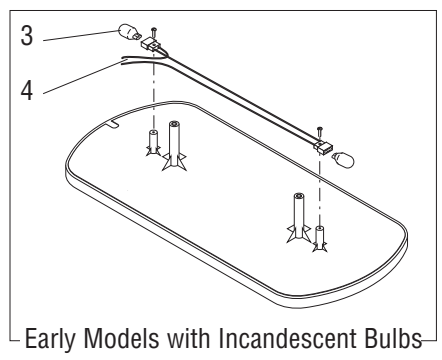
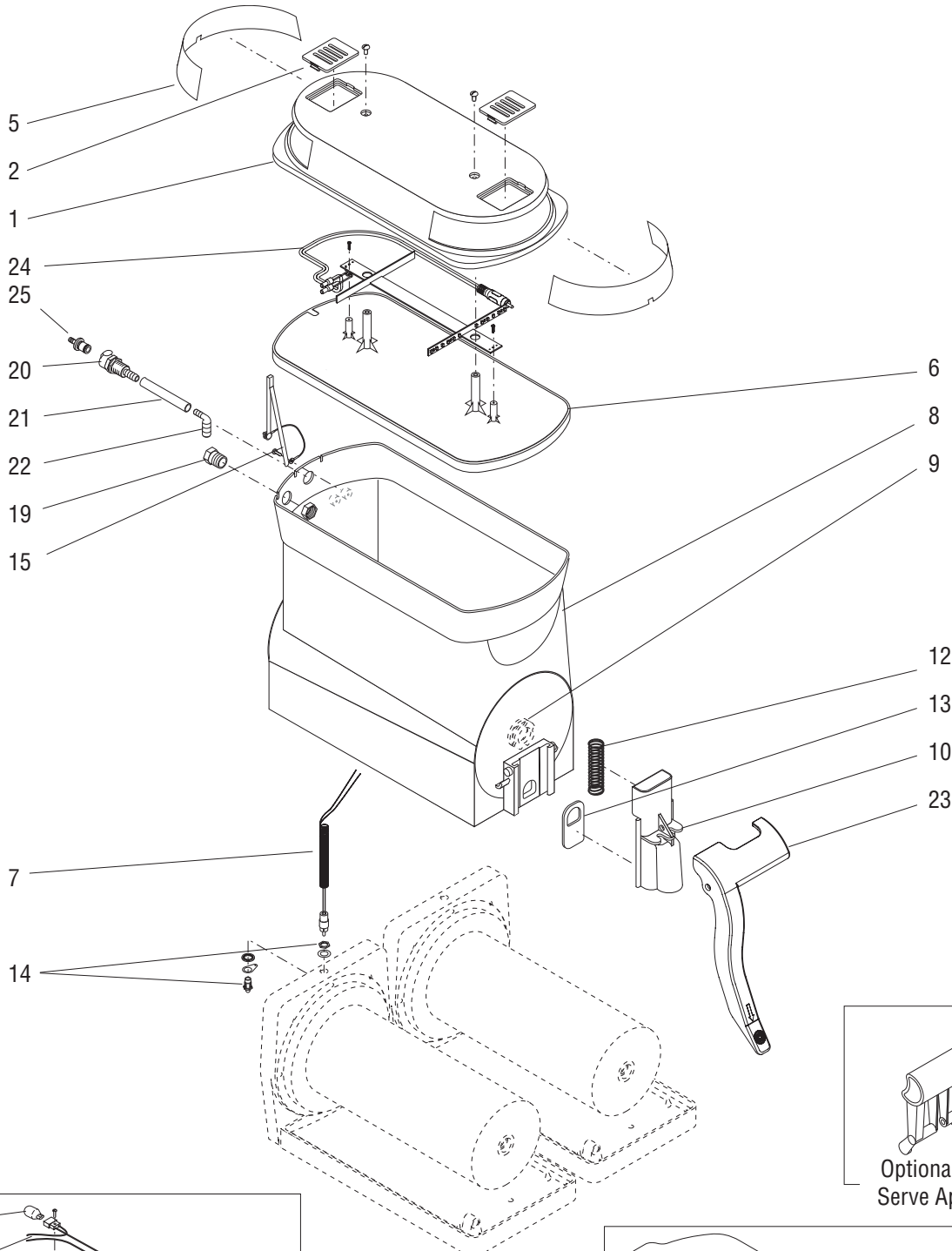
FRAME, PANELS AND DRIP TRAYS

ITEM	PART NO.	QTY.	DESCRIPTION	
19	36182.1006	1	Panel W/Decals, Left Side - SST	} Each includes items 6,8,9,10
	36182.1007	1	Panel W/Decals, Left Side - BLK	
	32580.0000	2	Screw, Hex Head #6-32 x .25"	
20	29373.0001	1	Decal, Coolant Charge	
21	OBSOLETE	1	Corner, Left Rear - SST (without Filter Stop)	
	OBSOLETE	1	Corner, Left Rear - BLK (without Filter Stop)	
	27058.0011	1	Corner, Left Rear - SST (with Filter Stop)	
	27058.0015	1	Corner, Left Rear - BLK (with Filter Stop)	
	32580.0000	1	Screw, Hex Head #6 x .25" (not included)	
22	26528.0000	4	Leg, Black Plastic - 4" Adj. (See item 36)	
	03354.0000	4	Leg, Black Plastic - 2.5" Adj. (See item 36)	
23	03996.0000	4	Pad, Rubber - 4" Adj. Legs (See item 36)	
	03993.0000	4	Pad, Rubber - 2.5" Adj. Legs (See item 36)	
24	OBSOLETE	1	Frame, Base (Models with AMERICOLD compressors)	
	OBSOLETE	1	Frame, Base (Models with EMBRACO compressors)	
	OBSOLETE	1	Frame, Base (Models with EMBRACO compressors - Internal Autofill Ready)	
	OBSOLETE	1	Frame, Base (Models with EMBRACO compressors)(Salt Air Resistant)	
25	00927.0000	4	Clip, Spring	
	00927.0001	4	Clip, Spring (Salt Air Resistant)	
26	27131.0000	1	Trim, Frame - Rear - SST	
27	28098.0000	2	Fastener, Snap-in	
28	29702.1000	2	Plunger Assy, Hopper Lock	
29	29976.0000	1	Mount, Cable	
30	OBSOLETE	1	Decal, Cleaning Instructions 120V (ULTRA-2)	} Early Models
	OBSOLETE	1	Decal, Cleaning Instructions 230V (ULTRA-2A)	
	OBSOLETE	1	Decal, Cleaning Instructions Spanish 120V (ULTRA-2)	
31	37883.0000	2	Cover, Hole (Internal Autofill Ready)(Salt Air Resistant)	
	01382.0000	4	Screw, Truss Head #6-32 x .38"	
32	36187.0000	1	Vinyl Deflector	
33	36188.0000	1	Bracket	
34	20622.0005	1	Bushing	
35	43136.0003	2	Bracket, Filter Stop SST	
	OBSOLETE	2	Bracket, Filter Stop BLK	
	02335.0001	4	Screw, Hex #8 x .38"	
36	13255.0003	-	Leg Kit, 4" Adj. Legs (Includes 4 Legs and Pads)	} Not Illustrated
	13255.0006	-	Leg Kit, 2.5" Adj. Legs (Includes 4 Legs and Pads)	
37	12421.1001	-	Tube, Clear Vinyl (12" Long)	} Not Illustrated
	12421.1002	-	Tube, Clear Vinyl (60" Long)	
	12421.1004	-	Tube, Clear Vinyl (180" Long)	



HOPPER, COVER AND FAUCET

ULTRA - 2



HOPPER, COVER AND FAUCET

ITEM	PART NO.	QTY.	DESCRIPTION
-	32069.1000	2	Cover Assembly, Hopper, WHI (Includes items 1 thru 7)(Incandescent Bulb)
	32069.1001	2	Cover Assembly, Hopper, BLK (Includes items 1 thru 7)(Incandescent Bulb)
	47315.1000	2	Cover Assembly, Hopper, WHI (Includes items 1,2,5,6,7, and 24)(LED Lights)
	47315.1001	2	Cover Assembly, Hopper, BLK (Includes items 1,2,5,6,7, and 24)(LED Lights)
1	32196.0000	2	Cover, Hopper - WHI
	32196.0001	2	Cover, Hopper - BLK
	01315.0000	4	Screw, Truss Head #8-32 x .38"
2	32105.0000	4	Insert, Hopper Lid Vent - WHI
	32105.0001	4	Insert, Hopper Lid Vent - BLK
3	27446.0000	4	Lamp, T-5 Wedge Base (Note: No longer included in PM kit)
4	27445.1000	2	Lamp Holder/Socket Assy (Includes two of item 16) Screw, Pan Head #2-56 x .50" (not included)
5	32266.0053	4	Insert, Hopper Display
6	32195.0000	2	Liner Assy, Hopper Cover
7	32267.1000	2	Cord Assy, Lamp (Includes two of item 16)
8	32190.1000	2	Hopper Assy. (Includes item 9)
	32190.1001	2	Hopper Assy. (For Models with PAF) (Includes item 9)
	32190.1003	2	Hopper Assy. (For Models Internal Autofill Ready or AFPO) (Includes item 9)
	32190.1005	2	Hopper Assy. (For Models LAF CF) (Includes item 9)
9	32189.0000	2	Bushing, Auger Nose
10	32191.0003	2	Faucet - WHI
11	OBSOLETE	2	Handle, Faucet - BLK (Optional for Crew Serve Applications)
12	32193.0000	2	Spring, Faucet
* 13	32268.1000	1	Seal Kit (Includes 2 seals)
	OBSOLETE	1	Seal Kit (Includes 1 seal)
14	27643.1000	2	Connector Assy (Includes Nut, Washer, Leads & Plug)
	39967.0000	2	Washer, SST
	01532.0001	2	Lockwasher, Internal-tooth .375"
15	32916.0002	2	Tether/Probe Kit (For Models with PAF)
	39257.0000	2	Tether/Probe Kit (For Models Autofill Ready)
	01393.0000	2	Screw, Truss Head #6 x .25"
16	03851.0000	4	Wire Nut (Not Illustrated)
17	29481.0001	1	Cover, Flat (Includes item 18)
18	OBSOLETE	1	Decal, BUNN
19	28776.0001	4	Plug (Two less used on Liquid Autofill with No Water lines)
	24566.0000	4	Nut
20	28756.1000	4	Fitting, Quick Disconnect
21	28755.1003	4	Tube, Norprene .25" ID x 1.25"
22	28770.0000	4	Elbow .25" Barb x .50" Barb
23	44614.0002	2	Handle (Low Level Access)
24	46331.0001	1	LED & Cord Assy
		2	Screw, Pan Head #2-28 x .38"
25	38021.0000	1	Fitting, Quick Disconnect, .25" Male
	42921.0000	1	Fitting, Quick Disconnect, .38" Male

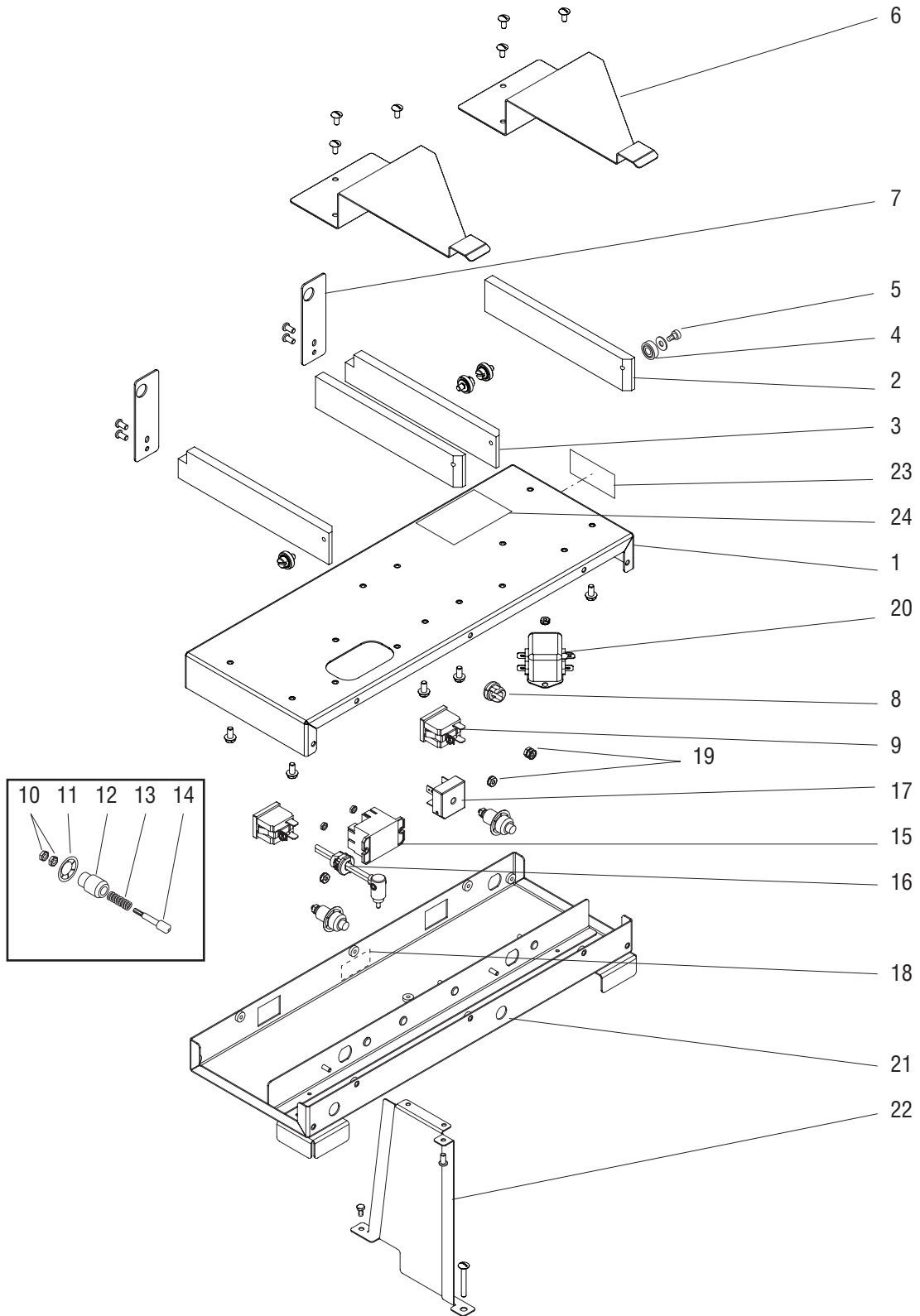
Internal Autofill
Ready Models

* Item included in PM kit



PAF PLATFORM ASSEMBLY (Late Models)

ULTRA - 2



PAF PLATFORM ASSEMBLY (Late Models)

ITEM	PART NO.	QTY.	DESCRIPTION
1		1	Cover SST (Includes item 23)
		1	Cover BLK (Includes item 23)
2	29591.0001	2	Guide Rail RH
	01330.0000	4	Screw #10-32 x .38"
3	29591.0002	2	Guide Rail LH
	01330.0000	4	Screw #10-32 x .38"
4	29724.0000	4	Roller
5	24457.0001	4	Shoulder Bolt
	01522.0001	4	Washer
6	47245.0000	2	Latch
	01315.0000	6	Screw, Truss Head #8-32 x .38"
7		2	Plate, Retainer
	02322.0002	4	Screw, Truss Head BLK #8-32 x .38"
8	00707.0000	1	Bushing, Relief (120V)
	05746.0000	1	Bushing, Relief (230V)
9	03628.0000	2	Receptacle 120V
	OBSOLETE	2	Receptacle 230V
10	00906.0000	4	Nut
11	29742.0000	2	Retainer
12	29726.0001	2	Housing, Spring Contact
13	27788.0000	2	Spring
14	27748.0000	2	Pin
15	32104.0000	1	Relay, Lighting
	00973.0001	2	Nut, keps #6-32
16	47280.0001	1	Bushing, Relief
17	22126.0000	1	Rectifier
	00973.0001	1	Nut, keps #6-32
18	29844.0000	1	Decal, Receptacle - PAF Only
	OBSOLETE	1	Decal, Receptacle - PAFA Only
19	00973.0001	4	Nut, Grounding Stud
20	29446.0009	1	EMI Filter (230V)
	00973.0001	1	Nut, keps #6-32
21		1	Base, Housing SST (120V)(Includes item 18)
		1	Base, Housing BLK (120V)(Includes item 18)
	OBSOLETE	1	Base, Housing SST (230V)
	OBSOLETE	1	Base, Housing BLK (230V)
	01315.0000	10	Screw, SST, Truss Head #8-32 x .38"
	02322.0002	10	Screw, BLK, Truss Head #8-32 x .38"

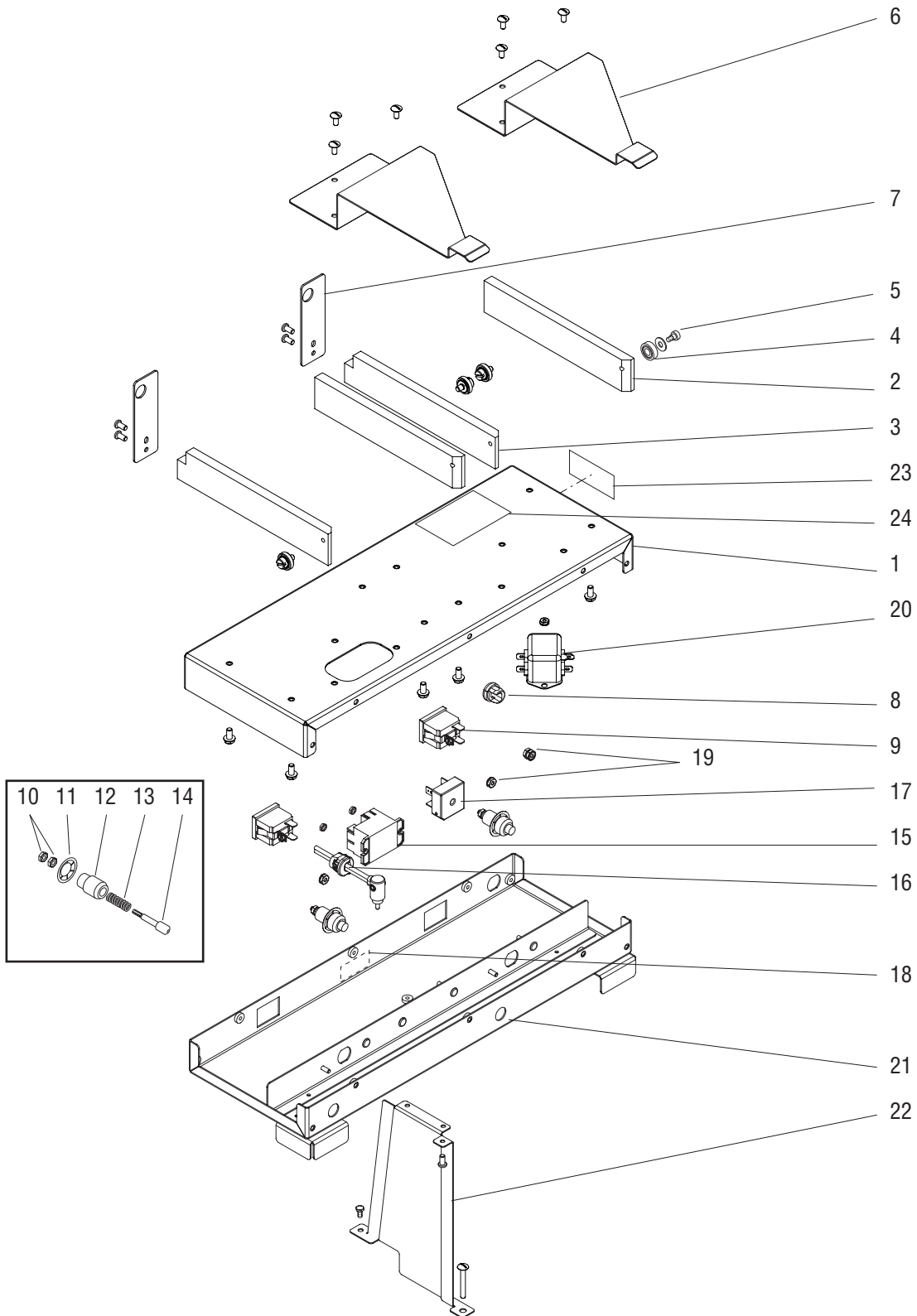
(Continued)



PAF PLATFORM ASSEMBLY (Late Models)

ULTRA - 2

(Continued)

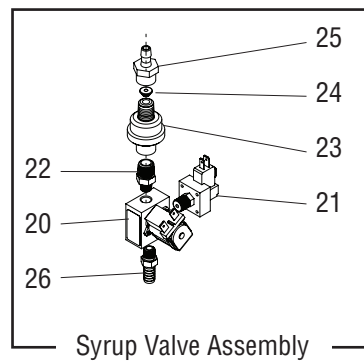
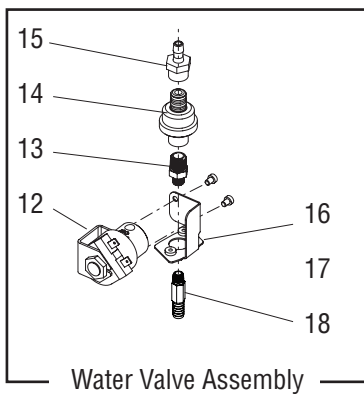
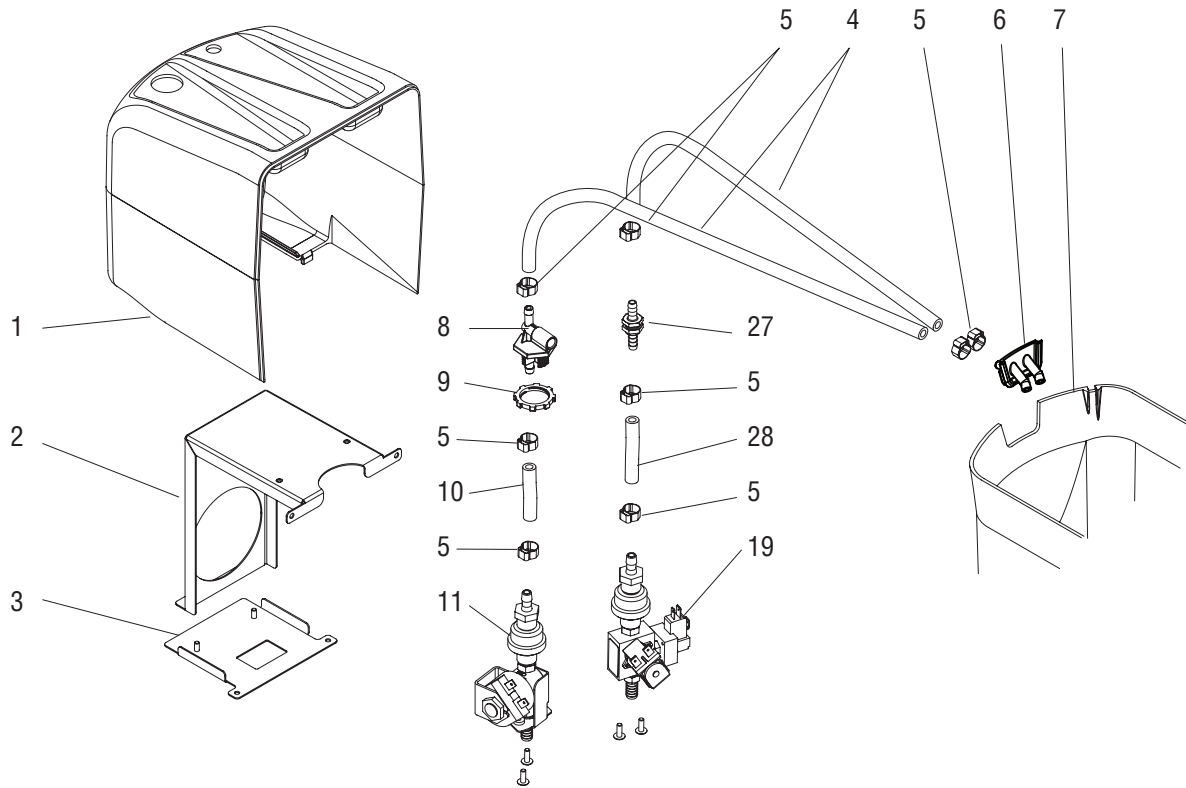


PAF PLATFORM ASSEMBLY (Late Models)

ITEM	PART NO.	QTY.	DESCRIPTION
22	47244.0000	1	Bracket, Support SST
	47244.0001	1	Bracket, Support BLK
	01315.0000	3	Screw, SST, Truss Head #8-32 x .38"
	02322.0002	3	Screw, BLK, Truss Head #8-32 x .38"
	01384.0002	1	Screw, Truss Head #8-32 x 2.0"
	02314.0000	1	Screw, Pan Head .25-20 x 0.5"
23	51696.0000	1	Decal, Dual Power Cord
24	00986.0002	1	Decal, Electrical Warning

The following items are not illustrated

25	00617.0000	1	Cable Tie
26	20630.0007	1	Power Cord (120V)
	OBSOLETE	1	Power Cord (230V)
27	29948.0000	1	Harness, Main (120V)
	OBSOLETE	1	Harness, Main (230V)
28	32267.1000	1	Lamp Cord (Includes item 30)
29	29763.0000	2	Resister, Probe Detector
30	03851.0000	2	Wire Nut



LIQUID AUTOFILL (LAF CF) KIT

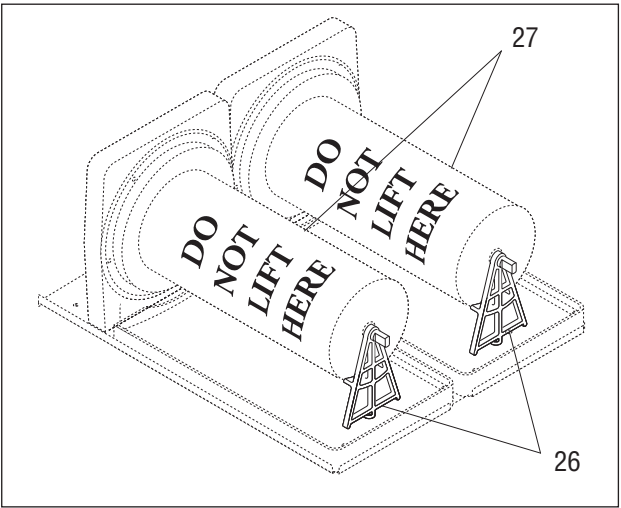
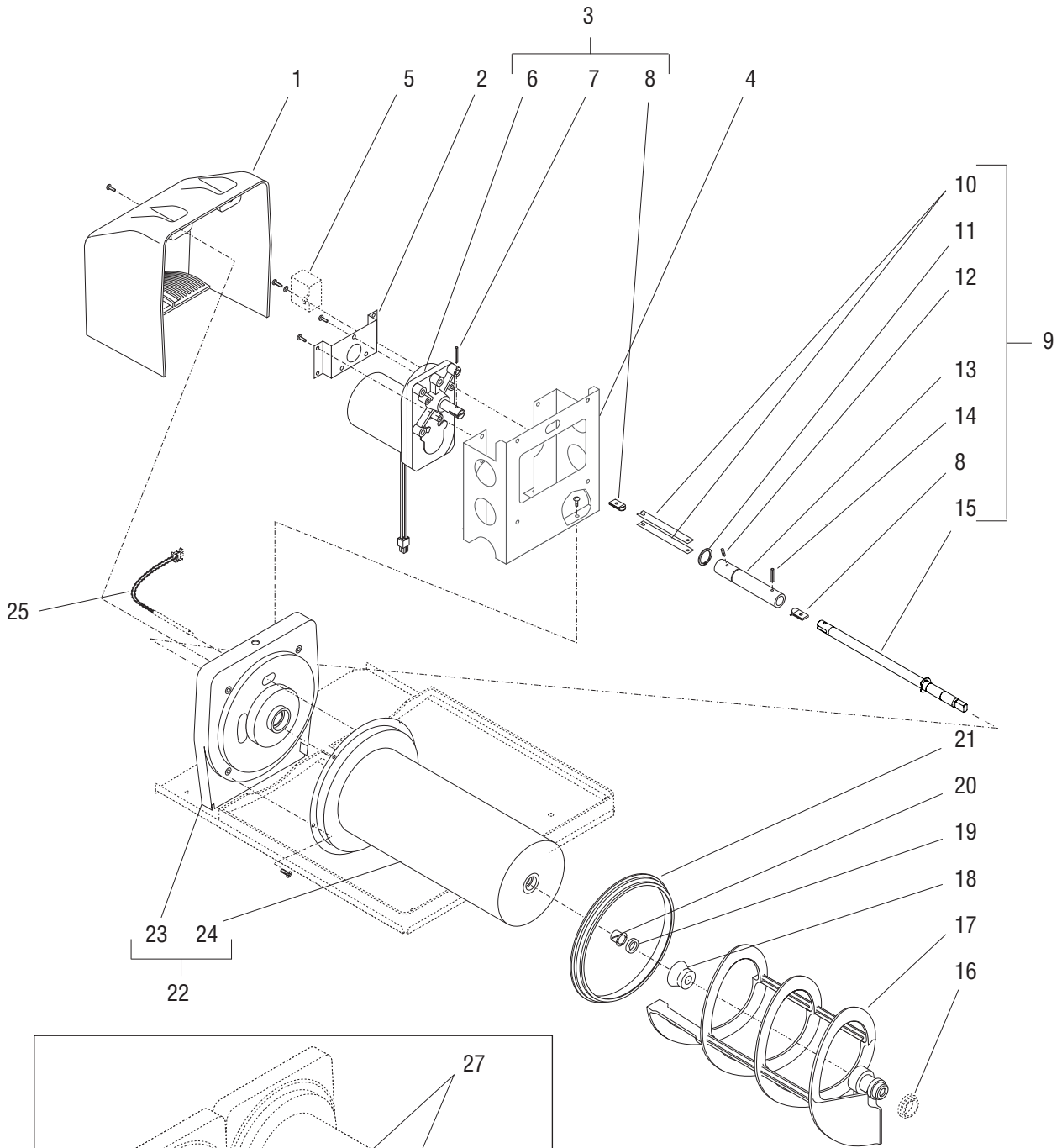
ITEM	PART NO.	QTY.	DESCRIPTION
1	-----	2	Cover, Auger Motor (See AUGER DRIVE & COOLING DRUM)
2	43145.0000 00970.0000	2 8	Bracket, Support Nut, Keps #8-32
3	43131.0000 02308.0000	2 4	Bracket, Cover Mounting Screw, Pan Head Serrated #8-32 x .375"
4	-----	4	Hose, Braided .25" ID x 11.0" (Order item 29)
5	21275.0006	16	Clamp
6	43823.0002	2	Fitting
7	-----	2	Hopper (See HOPPER, COVER AND FAUCET)
8	43115.1000	2	Valve, Needle
9	45042.1000	2	Locknut
10	-----	2	Hose, Braided .25" ID x 1.75" (Order item 29)
11	43130.0006 43130.0008 01317.0000	2 2 4	Valve Assy, Water, 120V Valve Assy, Water, 230V Screw, Truss Head #8-32 x .50" } Includes items 12-18
12	01085.0008	2 4	Valve, 120V Solenoid Screw
13	46341.0000	2	Fitting
14	42193.0000	2	CF Valve
15	43124.0001	2	Fitting
16	43907.0000	2	Bracket
17			NO LONGER USED
18	43122.0003	2	Fitting
19	43130.0007 43130.0009 01317.0000	2 2 4	Valve Assy, Syrup, 120V Valve Assy, Syrup, 230V Screw, Truss Head #8-32 x .50" } Includes items 20-26
20	43128.0000	2	Valve, 120V Solenoid
21	44011.0002	2	Switch, Pressure
22	46341.0000	2	Fitting
23	42193.0000	2	CF Valve
24	OBSOLETE OBSOLETE	2 2	Orifice, .0465 BLK Orifice, .0350 WHT
25	43124.0001	2	Fitting
26	43122.0002	2	Fitting
27	43121.0000	2	Fitting, Bulkhead
28	38129.0005	2	Hose, Braided .25" ID x 2.25" (Order item 29)
29	38129.1000	-	Hose, Braided .25" ID x 12.0" (Cut to required length)
30	43841.0000 43841.0001	2 2	Harness Valve Wiring 120V Harness Valve Wiring 230V } Not Illustrated



AUGER DRIVE AND COOLING DRUM

ULTRA - 2

(Continued)



AUGER DRIVE AND COOLING DRUM

ITEM	PART NO.	QTY.	DESCRIPTION
1	27231.0000	2	Cover, Auger Motor - WHI
	27231.0001	2	Cover, Auger Motor - BLK
	43118.0000	2	Cover, Auger Motor - WHI
	43118.0001	2	Cover, Auger Motor - BLK
	01317.0000	4	Screw, Truss Head #8-32 x .50"
2	27232.0000	2	Bracket, Auger Motor Mounting
	27232.0004	2	Bracket, Auger Motor Mounting (Salt Air Resistant)
	02308.0000	6	Screw, Pan Head Serrated #8-32 x .375"
3	28093.1000	2	Motor Assy, Auger (Includes items 6, 7 & 8) (120V)
	28093.1003	2	Motor Assy, Auger (Includes items 6, 7 & 8) (230V)
	01326.0002	6	Screw, Pan Head #10-32 x .375"
4	32108.0002	2	Bracket, Auger Motor/Cooling Drum Mounting
	32108.0008	2	Bracket, Auger Motor/Cooling Drum Mounting (Salt Air Resistant)
	01311.0001	8	Screw, Truss Head - Locking #8-32 x .25"
5	-----	2	Capacitor, Motor (See ELECTRICAL AND OPERATING CONTROLS)
	01317.0000	2	Screw, Truss Head #8-32 x .50"
	01501.0000	2	Washer #8
	01511.0000	2	Lockwasher, Ext.-tooth #8
6	27179.0004	1	Motor Assembly, Auger (120V)(Order item 3)
	27179.0005	1	Motor Assembly, Auger (230V)(Order item 3)
7	34836.0002	1	Pin, Drive .125" O.D. x .94"
8	27440.0001	2	Bearing, Torsion Spring
9	28081.0001	2	Shaft Assy, Auger Drive (Includes items 8, 10 thru 15) (Also use item 28)
10	27223.0000	2	Spring, Torsion
11	27228.0000	1	Snap Ring
12	11556.0001	1	Pin, Split .125" O.D. x .437"
13	27224.0000	1	Retainer, Torsion Spring
14	34836.0001	1	Pin, Split .125" O.D. x .75"
15	32449.0001	1	Shaft, Auger
16	32189.0000	2	Bushing, Auger - Front
17	32106.0000	2	Auger
* 18	26780.0000	2	Seal, Auger Shaft
* 19	37593.0001	2	Seal, Cooling Drum .270 Thk
*	28395.0000	-	Insertion Tool, Cooling Drum Seal
* 20	26781.0000	2	Bushing, Auger Shaft
* 21	32079.0001	2	Seal, Cooling Drum/Hopper

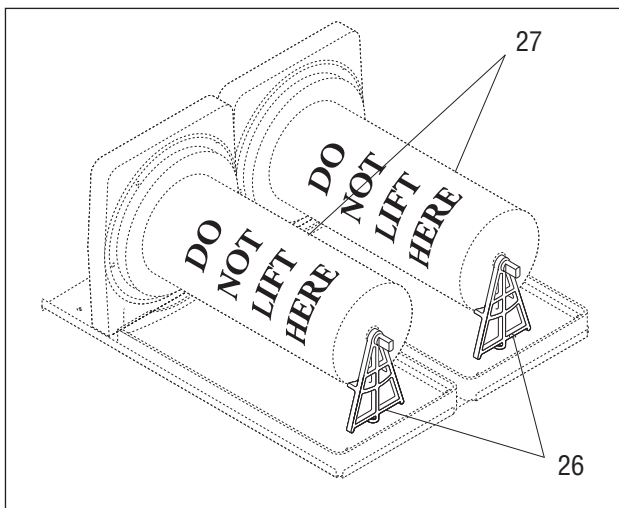
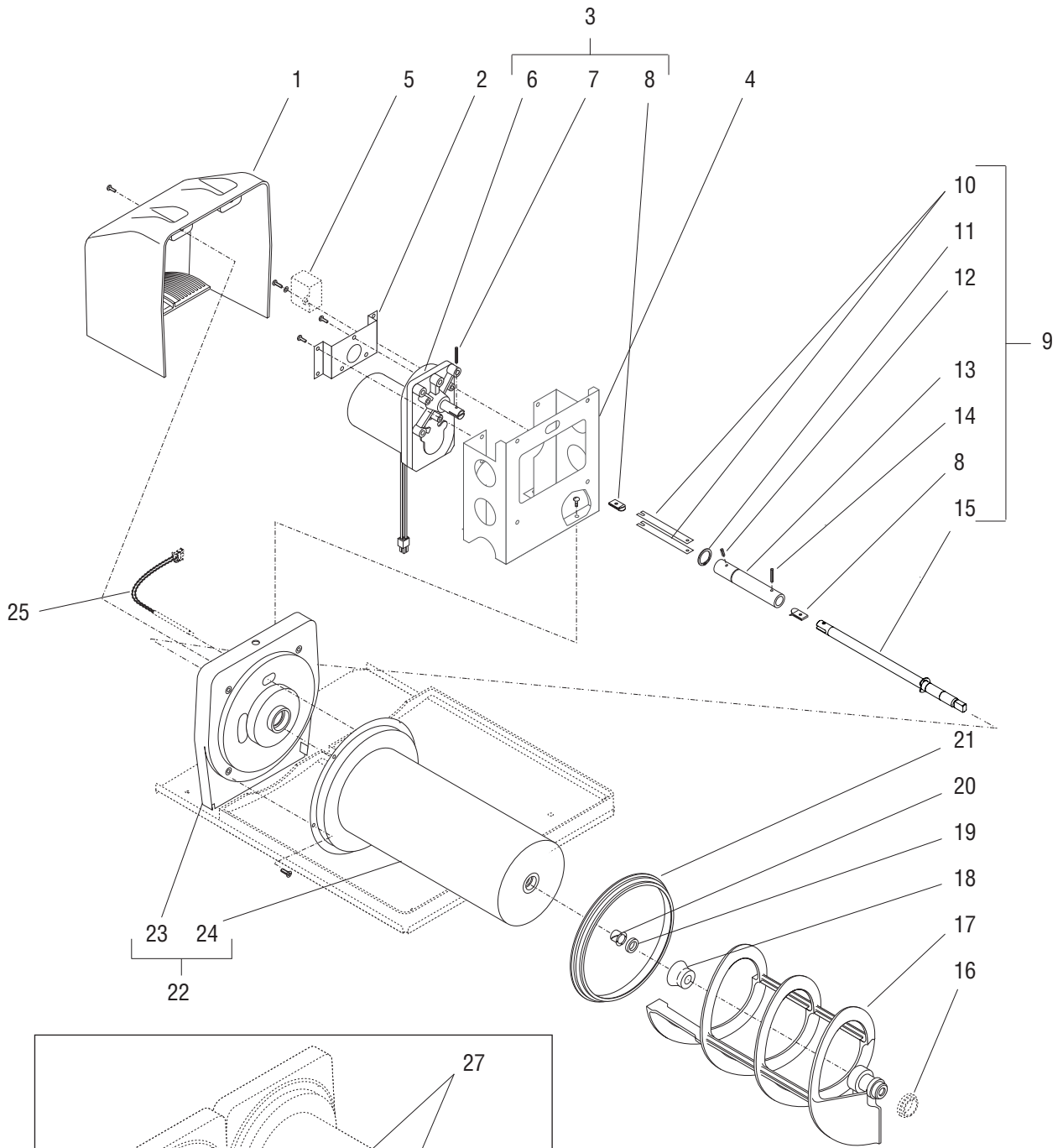
* Item included in PM kit

(Continued)



AUGER DRIVE AND COOLING DRUM

ULTRA - 2



P2510.1

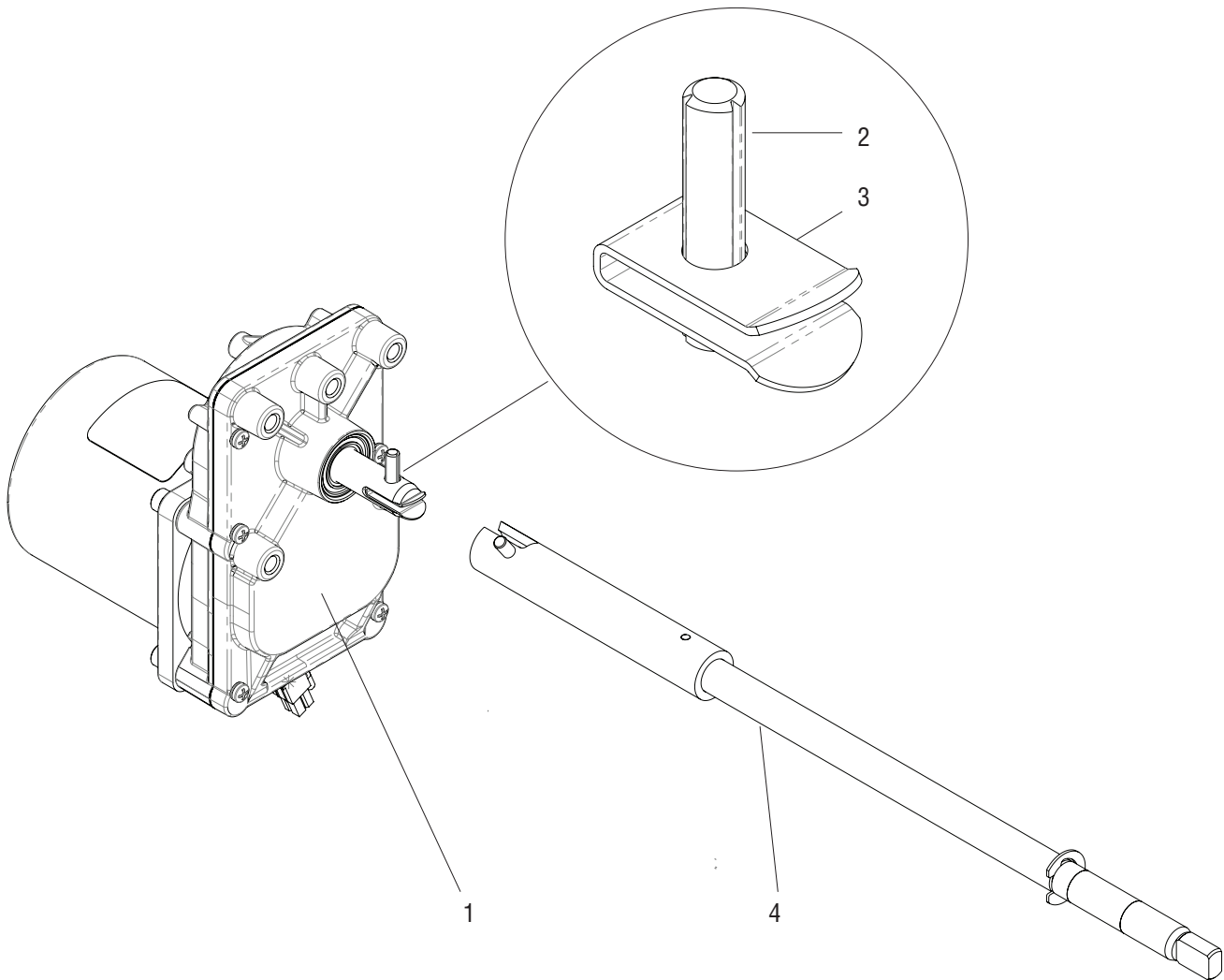
AUGER DRIVE AND COOLING DRUM

ITEM	PART NO.	QTY.	DESCRIPTION
22	32092.0002	2	Drum Assy, Cooling - WHI (Incl. items 23 & 24)
	OBSOLETE	2	Drum Assy, Cooling - BLK (Incl. items 23 & 24)
	32092.0004	2	Drum Assy, Cooling - WHI (Incl. items 23 & 24)(Salt Air Resistant)
	32092.0005	2	Drum Assy, Cooling - BLK (Incl. items 23 & 24)(Salt Air Resistant)
	01377.0000	8	Screw, Flat Head #8-32 x .75"
23	42175.0002	1	Mount Assembly, Cooling Drum - WHI
	42175.0003	1	Mount Assembly, Cooling Drum - BLK
24	-----	1	Drum, Cooling (Not Available. Order item 22)
25	-----	-	Temperature Sensor Assy (See ELECTRICAL AND OPERATING CONTROLS)
26	28027.0000	2	Support, Cooling Drum (For Shipping and Cooling Drum Adjustment)
27	28236.0000	2	Label, DO NOT LIFT HERE (For Shipping Only)
28	M2548.1001	-	Grease, Krytox .50 oz (Not illustrated)
*	29563.0000	-	Kit, Krytox Grease .11264 oz (Not illustrated)
* 29	M2550.0000	-	LUBRIFILM Tube, 4 oz. HAYNES (Not illustrated)
30	34245.0000	-	Kit, Preventive Maintenance - ULTRA-2 (Not illustrated, * by item number included)
	OBSOLETE	-	Kit, Preventive Maintenance - ULTRA-1 (Not illustrated, * by item number included, quantity of 1)

* Item included in PM kit



Serial Number & Start Date: ULTR306415 & 9/20/2021



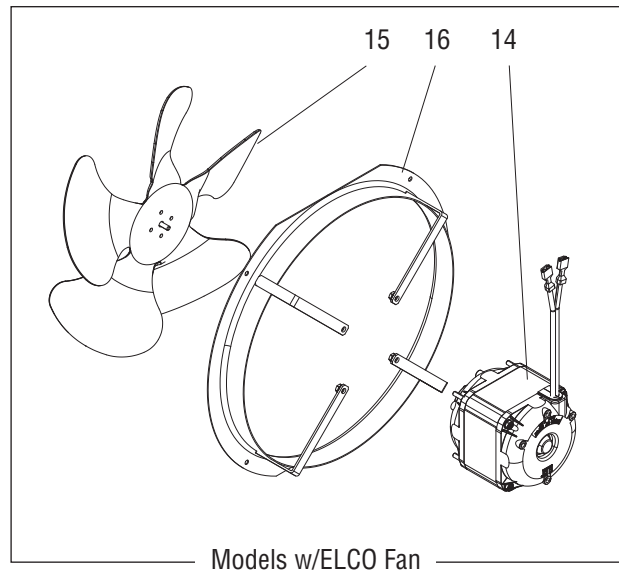
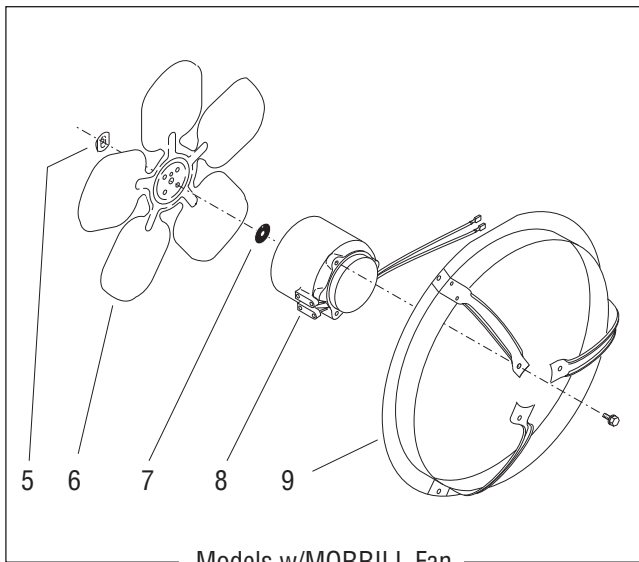
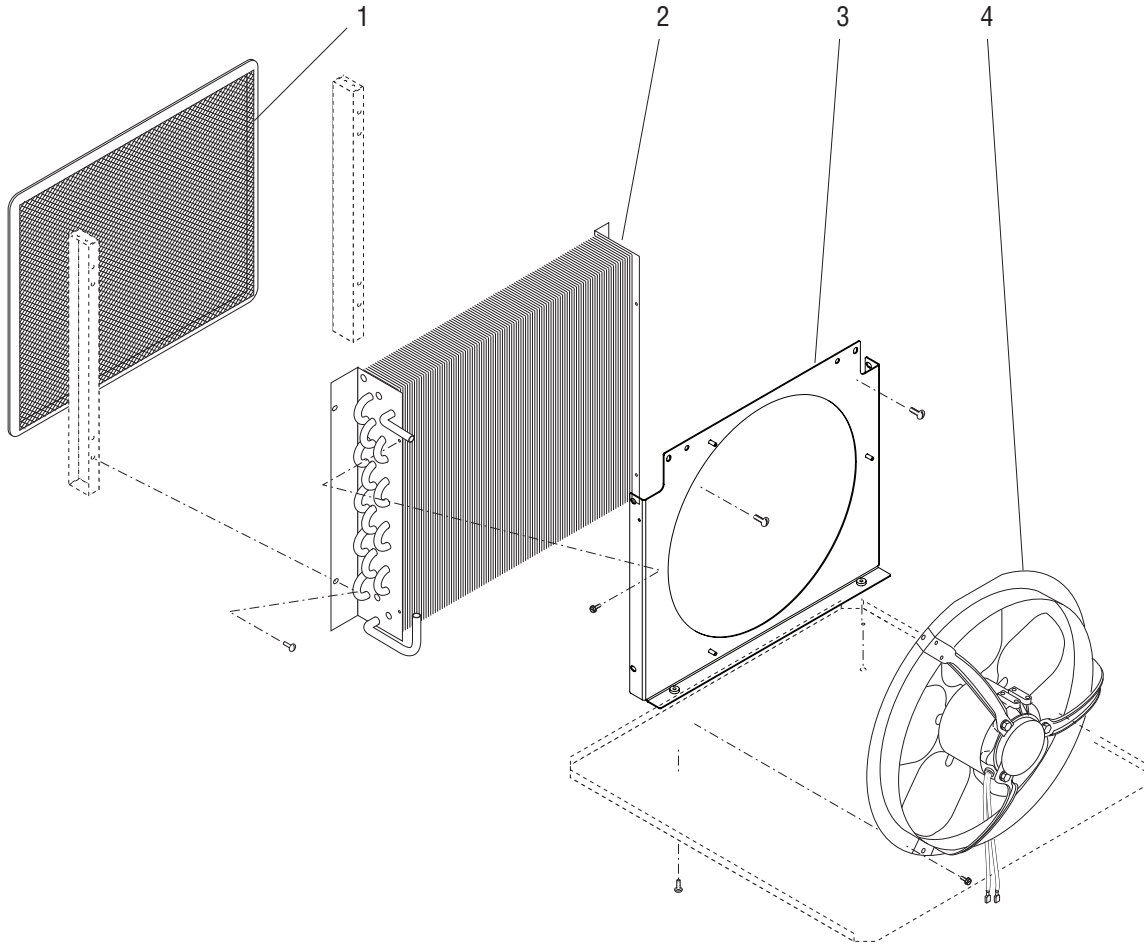
ENHANCED AUGER MOTOR & SHAFT ASSY .188 PIN

ITEM	PART NO.	QTY.	DESCRIPTION
1	28093.1015	2	Auger Motor Assy, w/Brg 120V .188 Pin (Includes item 2 and 3)
	28093.1016	2	Auger Motor Assy, w/Brg 230V .188 Pin (Includes item 2 and 3)
2	57216.0000	2	Pin, Drive SST .188 OD X .938LG
3	27440.0002	2	Bearing, Torsion Spring ROHS - .188 Pin
4	28081.0003	2	Shaft Assy, Auger Drive - .188 Pin ULTRA
5	M2548.1001	-	Lubricant, Krytox .50 oz (Not illustrated)
6	57812.0000	-	Kit, Motor/Shaft Assy 120V ULTRA-2 (Includes item 1 & 4)
	57812.0001	-	Kit, Motor/Shaft Assy 230V ULTRA-2 (Includes item 1 & 4)



CONDENSER AND FAN MOUNTING

ULTRA - 2



P2511.a

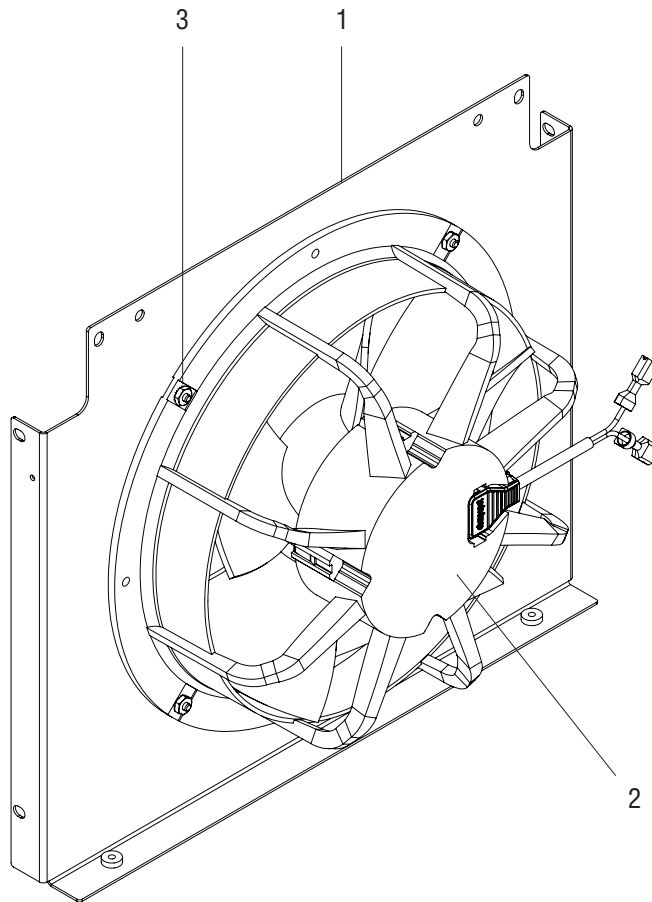
CONDENSER AND FAN MOUNTING

ITEM	PART NO.	QTY.	DESCRIPTION
1	28122.0000	1	Filter, Air
2	26791.0000	1	Condenser Assy
	26791.0001	1	Condenser Assy, Coated (Salt Air Resistant)
	44408.0000	4	Screw, Hex Hd Wash Serr #8-32 X .38 Zinc
3	32084.0011	1	Shroud Widmt, Fan ULTRA-2
	02332.0001	4	Screw, Hex Head Crimptite #6 x .25"
	02308.0000	4	Screw, Pan Head Serrated #8-32 x .375"
4	29084.1002	1	Fan Assy, Condenser 120V CDS/ULT - E COAT
	29084.0001	1	Fan Assy, Condenser - 230V (Includes items 5 thru 9)
	02332.0002	3	Screw, Hex Head - Thread Cutting #6 x .375"
5	OBSOLETE	1	Speed Nut .25"-20
6	29159.0000	1	Blade, Condenser Fan - 230V HP
	29159.0000	1	Blade, Condenser Fan - 115V HP
	27220.0000	1	Blade, Condenser Fan - 115V
7	27258.0000	1	Silencer, Fan
8	27221.1000	1	Motor, Condenser Fan - 115V (Includes Leads and Terminals)
	29160.1000	1	Motor, Condenser Fan - 115V HP (Includes Leads and Terminals)
	29160.1001	1	Motor, Condenser Fan - 230V HP (Includes Leads and Terminals)
9	27219.0000	1	Shroud/Mount, Condenser Fan
	27219.0001	1	Shroud/Mount, Condenser Fan (Salt Air Resistant)
	27243.0000	3	Screw, Hex Head Thread Forming #8-32 x .437"
10	-----	-	Cable Tie (Not Illustrated)
11	38278.0003	1	Edging 1.00" (Order item 13)
12	38278.0016	1	Edging 1.25" (Order item 13)
13	38278.1002	-	Edging 36.0" (Use as required)
14	-----	1	Motor, Condenser Fan - 115V, 25W
	-----	1	Motor, Condenser Fan - 115V, 34W
15	-----	1	Blade, Condenser Fan, Plastic
	-----	1	Blade, Condenser Fan, Metal
16	-----	1	Shroud/Mount, Condenser Fan

} Early Models. Order item 4

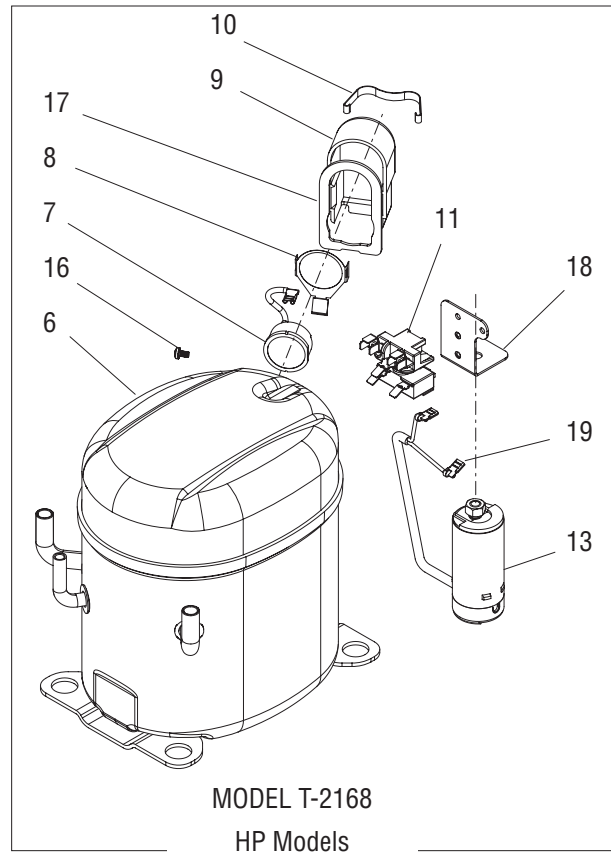
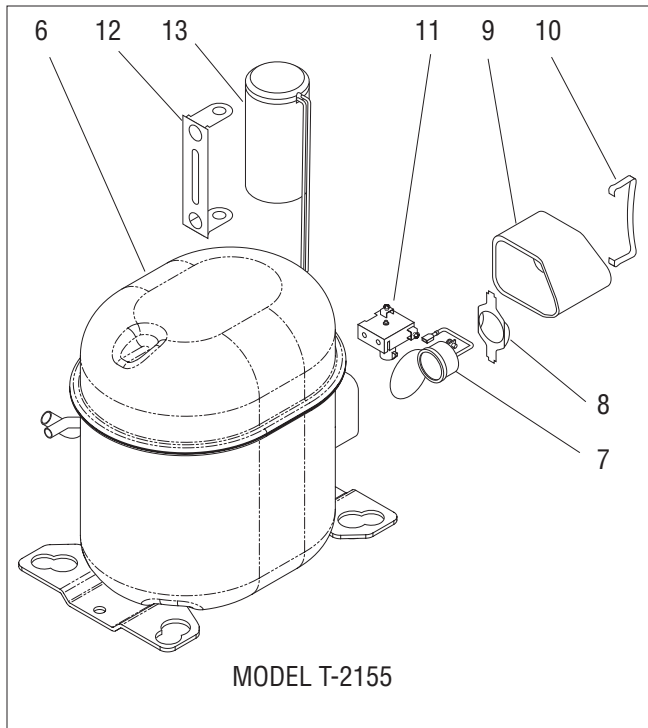
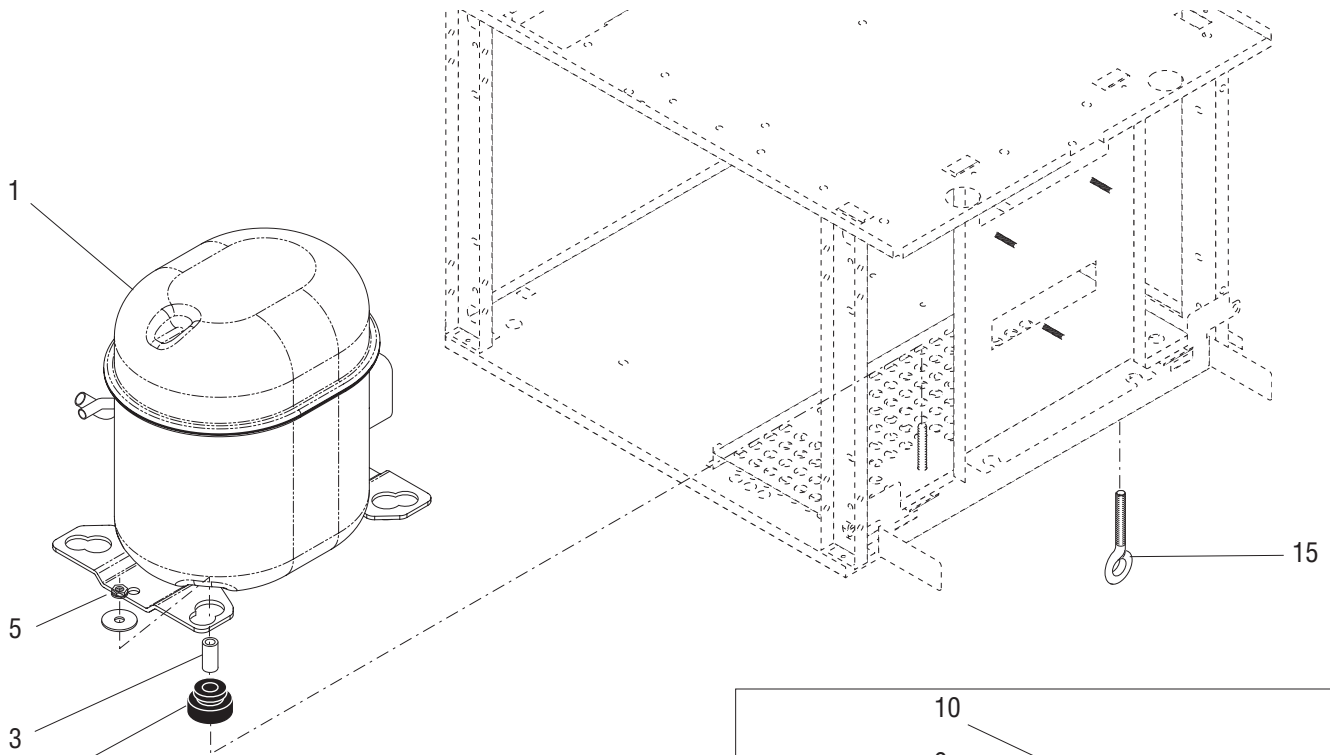


Model: ULTRA-2,BA 120V WHT/SST CORR RES SPN 404
PN: 34000.0351



CONDENSER AND FAN MOUNTING For PN: 34000.0351

ITEM	PART NO.	QTY.	DESCRIPTION
1	32084.0012	1	Shroud Wldmt, Fan ULTRA-2 CORR RES
2	57598.0000	1	Fan, 200 MM 120VAC
3	00973.0001	4	Nut, Keps 6-32 SST Passivate

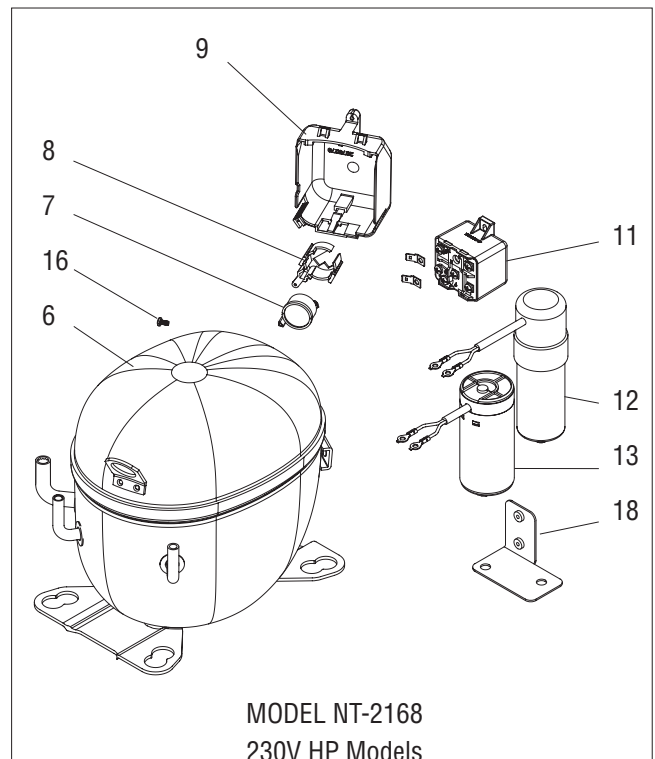
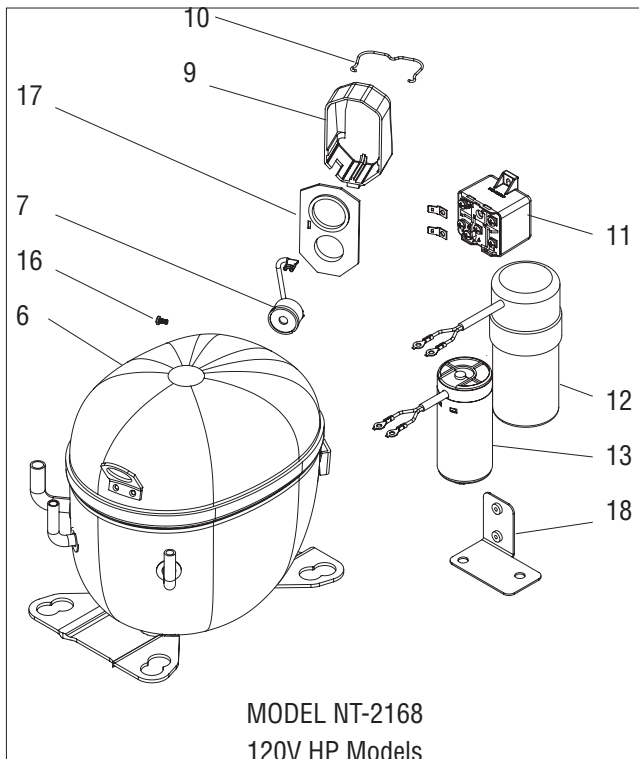
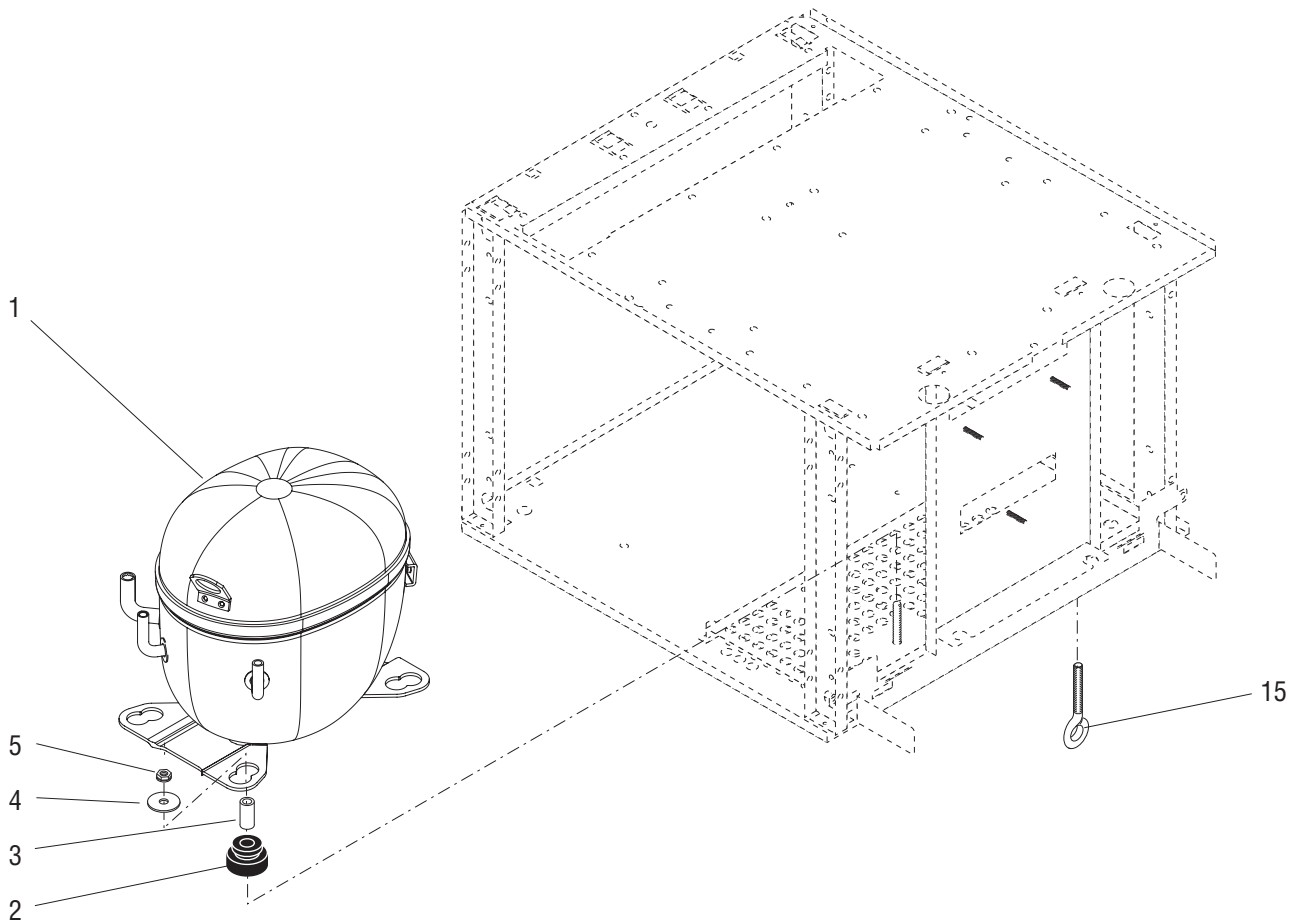


COMPRESSOR AND MOUNTING (EMBRACO)(Early Models)

ITEM	PART NO.	QTY.	DESCRIPTION
------	----------	------	-------------

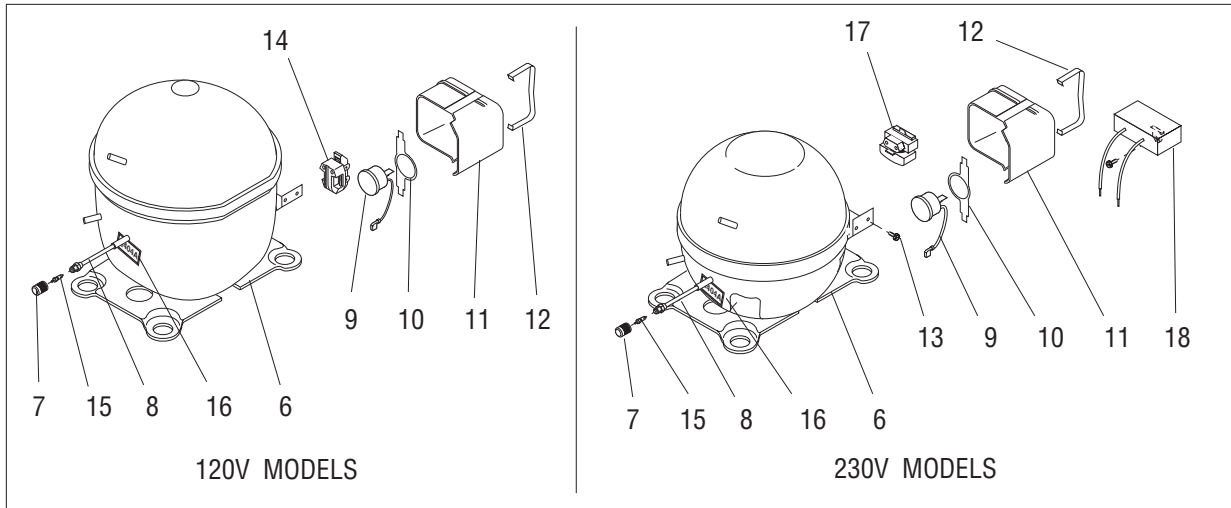
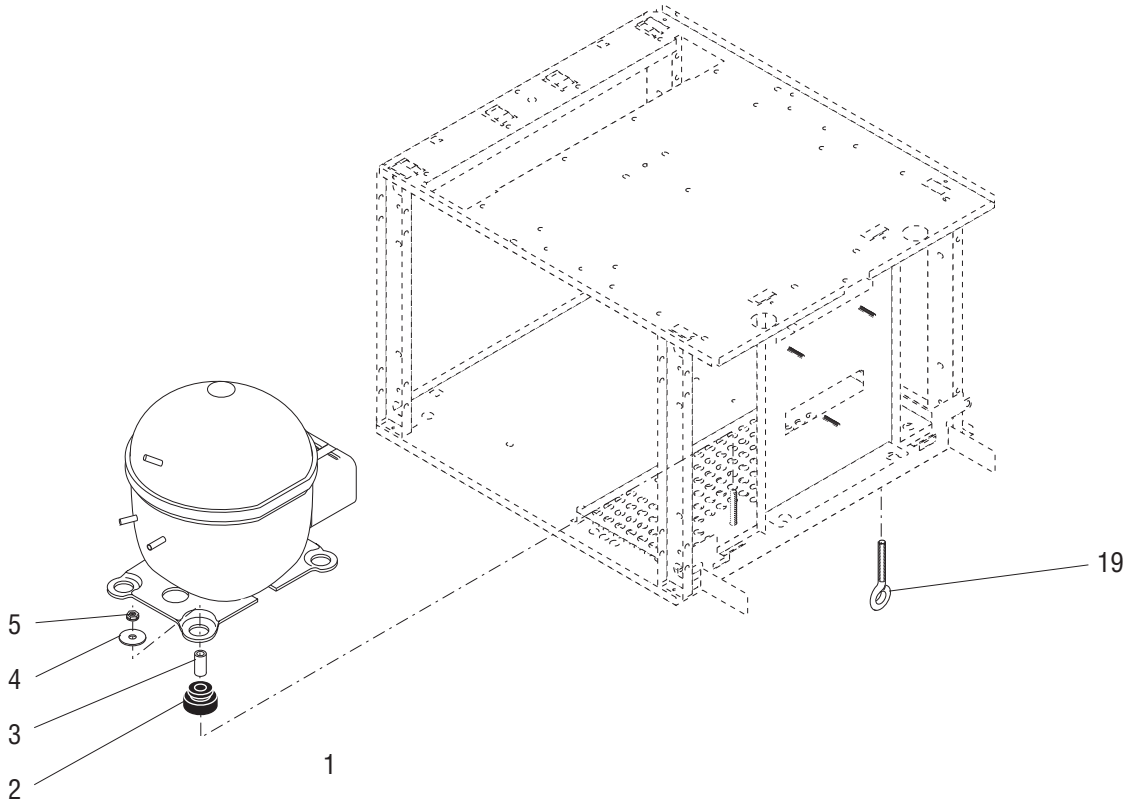
NOTE: Compressor part numbers are no longer available. Check with Bunn for substitute replacements.

1	-----	1	Compressor Assy (Model T2155) 120V (No Longer Available)
	-----	1	Compressor Assy, High Performance (Model T2168) 120V (No Longer Available)
	-----	1	Compressor Assy, High Performance (Model T2168) 230V (No Longer Available)
2	32797.0000	4	Grommet, Compressor Mounting
3	32798.0000	4	Sleeve, Compressor Mounting
4	-----	4	Washer, .281" I.D. x 1.0" O.D.
5	23700.0000	4	Nut, Hex Keps .25"-20
6	-----	1	Compressor (Not Available. Order item 1)
7	34254.0002	1	Overload Protector (Model T2155)(120V)
	OBSOLETE	1	Overload Protector (Model T2168)(230V)
	39819.0000	1	Overload Protector (Model T2168)(120V)
8	OBSOLETE	1	Retainer, Overload Protector (Model T2155,120V&Model T2168, 230V)
	OBSOLETE	1	Retainer, Overload Protector (Model T2168)(120V)
9	34252.0001	1	Cover, Compressor Terminal (Model T2155, 120V & Model T2168, 230V)
	OBSOLETE	1	Cover, Compressor Terminal (Model T2168)(120V)
10	OBSOLETE	1	Retainer, Compressor Terminal Cover (Model T2155, 120V & Model T2168, 230V)
	OBSOLETE	1	Retainer, Compressor Terminal Cover (Model T2168)(120V)
11	34255.0002	1	Relay, Compressor Start (Model T2155)(120V)
	39137.0000	1	Relay, Compressor Start (Model T2168)(230V)
	39833.1000	1	Relay, Compressor Start (Model T2168)(120V)
12	OBSOLETE	1	Bracket, Capacitor (Model T2155, 120V & Model T2168, 230V)
13	32795.0002	1	Capacitor, Run (Model T2155)(120V)
	OBSOLETE	1	Capacitor, Run (Model T2168)(230V)
	39804.0000	1	Capacitor, Run (Model T2168)(120V)
14	28651.0000	1	Label - R404A (Not illustrated)
15	-----	1	Eyebolt (Shipping Only)
	-----	1	Tag, Eyebolt Shipping Notice (Not illustrated)
16	39142.0000	1	Screw M4 x 7mm
17	OBSOLETE	1	Gasket (Model T2168)(120V)
18	OBSOLETE	1	Bracket (Model T2168)(120V)
	02335.0001	1	Screw, Hex #8 x .38" (Relay)
	02308.0000	2	Screw, Pan Head Serrated #8-32 x .375" (Bracket)
19	39789.0000	1	Wiring Harness, Compressor (Model T2168)(120V)
	33052.0000	1	Screw, Flat Head #10-32 x .50"
	00971.0000	1	Nut, Keps #10-32



COMPRESSOR AND MOUNTING (EMBRACO)(Late Models)

ITEM	PART NO.	QTY.	DESCRIPTION
NOTE: Check compressor data plate for Model Number prior to ordering replacement parts.			
1	35980.1004	1	Compressor Assy (Model NT2168) 120V (Incl. items 2, 3, 6 - 18)
	OBSOLETE	1	Compressor Assy (Model NT2168) 120V (Incl. items 2, 3, 6 - 18)(Salt Air Resistant)
	35980.1005	1	Compressor Assy (Model NT2168) 230V (Incl. items 2, 3, 6 - 18)
2	32797.0000	4	Grommet, Compressor Mounting
3	32798.0000	4	Sleeve, Compressor Mounting
4	-----	4	Washer, .281" I.D. x 1.0" O.D.
5	23700.0000	4	Nut, Hex Keps .25"-20
6	-----	1	Compressor (Not Available. Order item 1)
7	39819.0004	1	Overload Protector (Model NT2168)(120V)
	39819.0005	1	Overload Protector (Model NT2168)(230V)
8	OBSOLETE	1	Retainer, Overload Protector (Model NT2168)(230V)
9	39818.0001	1	Cover, Compressor Terminal (Model NT2168)(120V)
	OBSOLETE	1	Cover, Compressor Terminal (Model NT2168)(230V)
10	39820.0001	1	Retainer, Compressor Terminal Cover (Model NT2168)(120V)
11	39833.0004	1	Relay, Compressor Start (Model NT2168)(120V)
	39833.0005	1	Relay, Compressor Start (Model NT2168)(230V)
12	44820.0004	1	Capacitor, Run (Model NT2168)(120V)
	44820.0005	1	Capacitor, Run (Model NT2168)(230V)
13	39804.0004	1	Capacitor, Start (Model NT2168)(120V)
	39804.0005	1	Capacitor, Start (Model NT2168)(230V)
14	28651.0000	1	Label - R404A (Not illustrated)
15	-----	1	Eyebolt (Shipping Only)
	-----	1	Tag, Eyebolt Shipping Notice (Not illustrated)
16	45282.0000	1	Screw M3.5 x 7mm (120V)
17	39885.0001	1	Gasket (Model NT2168)(120V)
18		1	Bracket (Model NT2168)(120V & 230V)
		1	Bracket (Model NT2168)(120V & 230V) (Salt Air Resistant)
	02308.0000	2	Screw, Pan Head Serrated #8-32 x .375"



COMPRESSOR AND MOUNTING (AMERICOLD)

ITEM	PART NO.	QTY.	DESCRIPTION
------	----------	------	-------------

NOTE: Compressors and related parts are no longer available. No substitutes are available.

1	----- -----	1 1	Compressor Assy 120V (No Longer Available) Compressor Assy 230V (No Longer Available)
2	-----	4	Grommet, Compressor Mounting
3	-----	4	Sleeve, Compressor Mounting
4		4	Washer, .281" I.D. x 1.0" O.D.
5	23700.0000	4	Nut, Hex Keps .25"-20
6	-----	1	Compressor (Not Available. Order item 1)
7	27641.0000	1	Cap, Access Valve (Procure Locally)
8	27551.0000	1	Valve Assy, Access (Includes items 7 & 15) (Requires brazing to Install)
9	OBSOLETE OBSOLETE	1 1	Overload Protector (120V) Overload Protector (230V)
10	OBSOLETE	1	Retainer, Overload Protector (120V)
11	OBSOLETE	1	Cover, Compressor Terminal
12	OBSOLETE OBSOLETE	1 1	Retainer, Compressor Terminal Cover (120V) Retainer, Compressor Terminal Cover (230V)
13	02335.0001	1	Screw, Hex Head Crimptite #8 x .375"
14	OBSOLETE	1	Relay, Compressor Start (120V)
15	27642.0000	1	Valve Core, .25"
16	28651.0000	1	Label - R404A
17	OBSOLETE	1	Starter, Motor (230V)
18	OBSOLETE 02332.0002	1	Capacitor, Run (230V) Screw, Hex Crimptite #6 x .375"
19	----- -----	1 1	Eyebolt (Shipping Only) Tag, Eyebolt Shipping Notice (Not illustrated)

SOLENOID AND COOLANT PIPING (EMBRACO-100V & 120V)

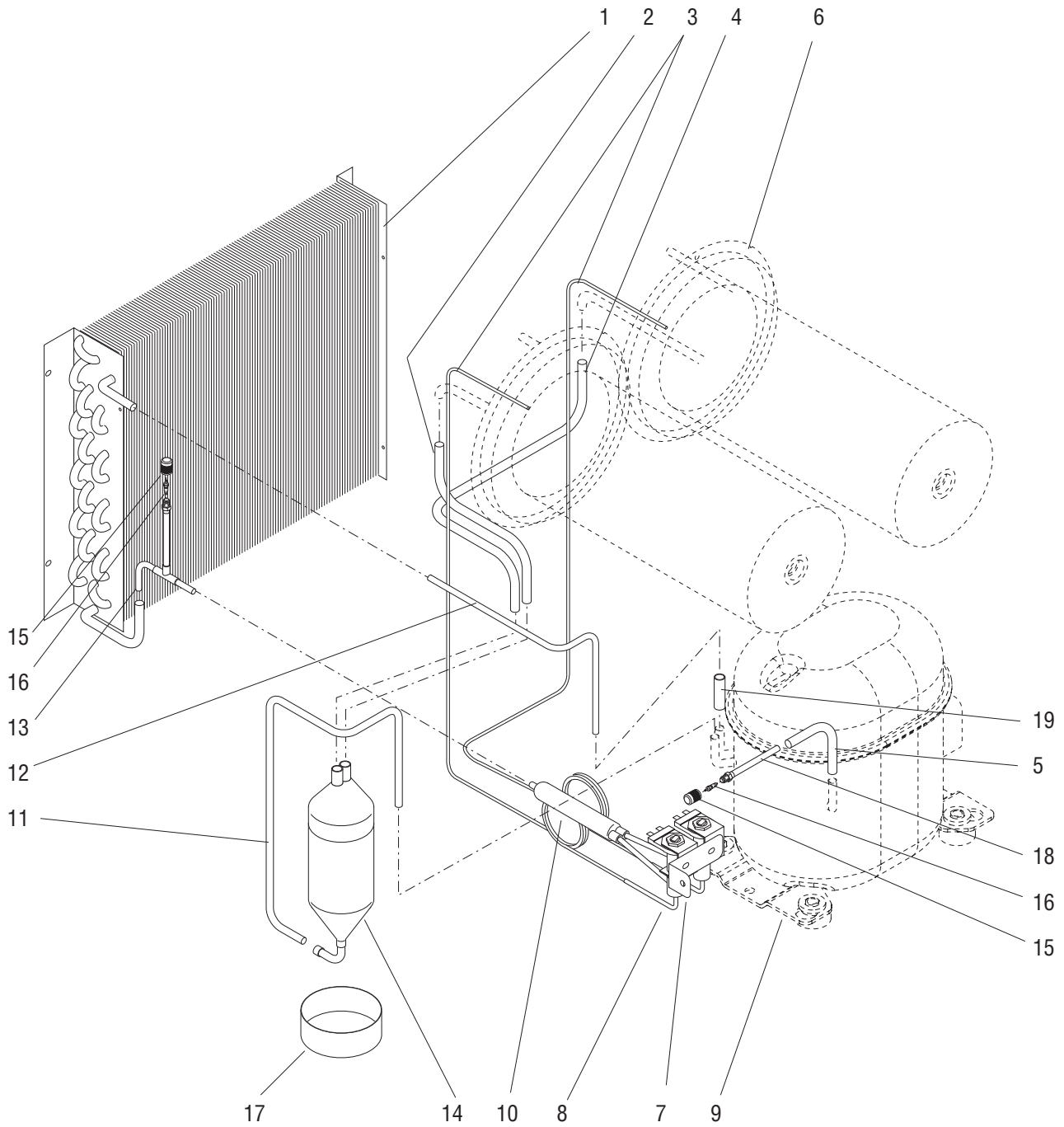
ITEM	PART NO.	QTY.	DESCRIPTION
1	-----	1	Condenser (See Condenser and Fan Mounting)
2		1	Tube .375" O.D. Accumulator to Left Cooling Drum (Requires brazing to install)
3	27607.1000	1	Tube .093" O.D. Solenoid to Left Cooling Drum (Requires brazing to install)
	27607.1001	1	Tube .093" O.D. Solenoid to Right Cooling Drum (Requires brazing to install)
4		1	Tube .375" O.D. Accumulator to Right Cooling Drum (Requires brazing to install)
5	28925.0000	2	Adapter, Reducing (Requires brazing to install)(Early Models)
6	-----	2	Cooling Drum (See Auger Drive and Cooling Drum)
7	32113.0000	1	Bracket, Solenoid Mounting
	32113.0003	1	Bracket, Solenoid Mounting (Salt Air Resistant)
	02308.0000	1	Screw, Pan Head Serrated #8-32 x .375"
8	32133.0000	2	Solenoid Assy (120V)
	32133.0002	2	Solenoid Assy (100V)
	02332.0001	2	Screw, Crimpite #6 x .25"
9	-----	1	Compressor (See Compressor and Mounting)
10	32256.0000	1	Dryer Assembly (Requires brazing to install)
11	OBSOLETE	1	Tube .312" O.D. Accumulator to Compressor (Requires brazing to install)
12	OBSOLETE	1	Tube .250" O.D. Condenser to Compressor (Requires brazing to install)
13		1	Tube, Condenser to Dryer (Includes items 15 & 16) (Requires brazing to install)
14	32257.0000	1	Accumulator, Suction (Requires brazing to install)
15	27641.0000	2	Cap, Valve Access
16	27642.0000	2	Valve Core
17	27411.0000	1	Cup, Condensate
18	28645.0000	1	Valve, Access (Includes items 15 & 16) (Requires brazing to install)
19	-----	2	Tube, Spacer (Requires brazing to install)
20	M2316.1000	-	Insulation, Tube .375" I.D. x 6 ft LG (As Required)
21	00617.0000	8	Tie, BLK Nylon 3.90" LG (As Required)
22		7	Cable Tie

} Not Illustrated



SOLENOID AND COOLANT PIPING (EMBRACO-230V)

ULTRA - 2



P3459

SOLENOID AND COOLANT PIPING (EMBRACO-230V)

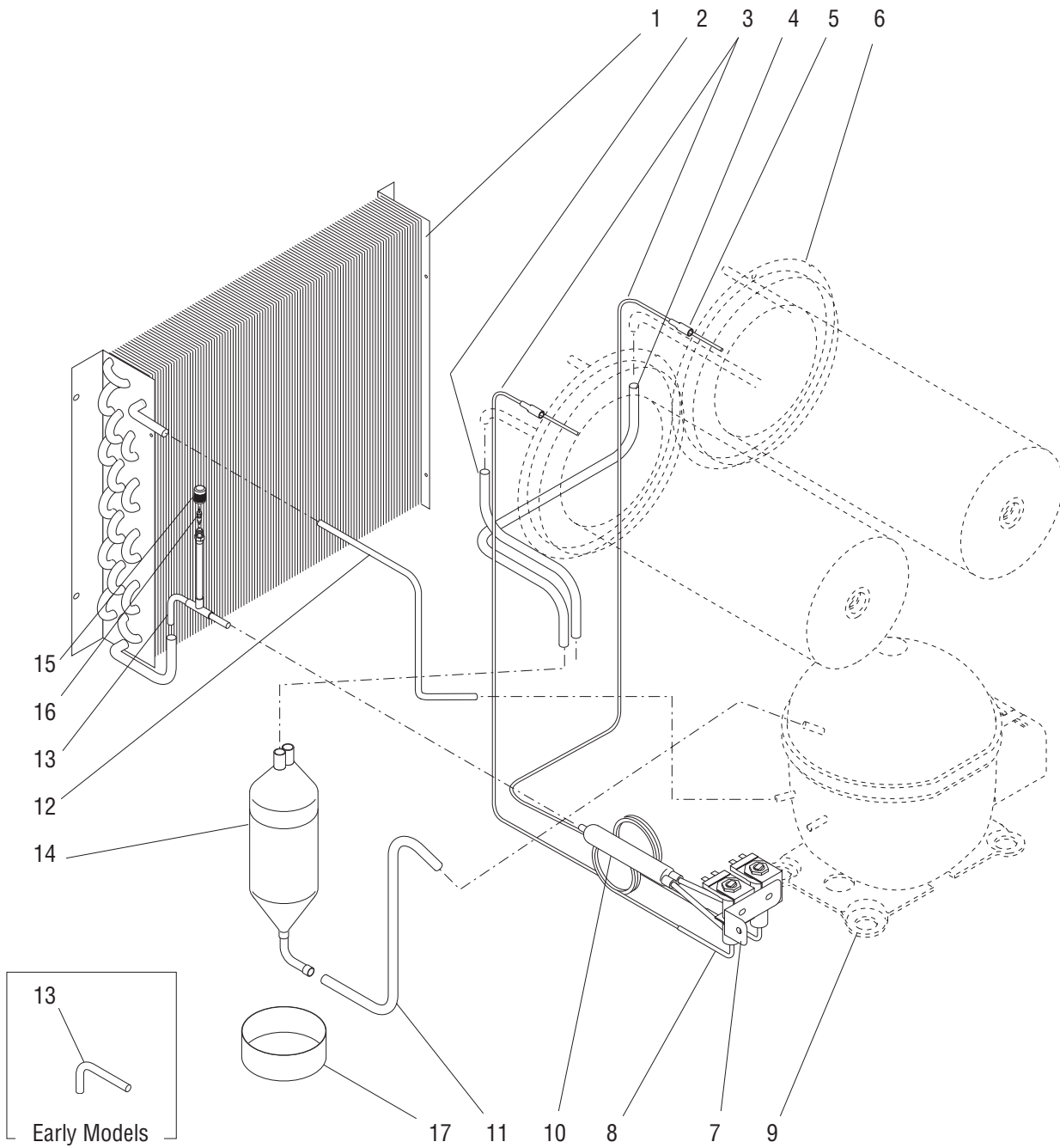
ITEM	PART NO.	QTY.	DESCRIPTION
1	-----	1	Condenser (See Condenser and Fan Mounting)
2		1	Tube .375" O.D. Accumulator to Left Cooling Drum (Requires brazing to install)
3	27607.1000	1	Tube .093" O.D. Solenoid to Left Cooling Drum (Requires brazing to install)
	27607.1001	1	Tube .093" O.D. Solenoid to Right Cooling Drum (Requires brazing to install)
4		1	Tube .375" O.D. Accumulator to Right Cooling Drum (Requires brazing to install)
5		2	Tube, Access Port (Requires brazing to install)
6	-----	2	Cooling Drum (See Auger Drive and Cooling Drum)
7	32113.0000	1	Bracket, Solenoid Mounting
	02308.0000	1	Screw, Pan Head Serrated #8-32 x .375"
8	32133.0001	2	Solenoid Assy (230V)
	02332.0001	2	Screw, Crimpite #6 x .25"
9	-----	1	Compressor (See Compressor and Mounting)
10	32256.0000	1	Dryer Assembly (Requires brazing to install)
11		1	Tube .312" O.D. Accumulator to Compressor (Requires brazing to install)
12		1	Tube .250" O.D. Condenser to Compressor (Requires brazing to install)
13		1	Tube, Condenser to Dryer (Includes items 15 & 16) (Requires brazing to install)
14	32257.0000	1	Accumulator, Suction (Requires brazing to install)
15	27641.0000	2	Cap, Valve Access
16	27642.0000	2	Valve Core
17	27411.0000	1	Cup, Condensate
18	28645.0000	1	Valve, Access (Includes items 15 & 16) (Requires brazing to install)
19		1	Tube, Spacer (Requires brazing to install)
20	M2316.1000	-	Insulation, Tube .375" I.D. x 6 ft LG (As Required)
21	00617.0000	8	Tie, BLK Nylon 3.90" LG (As Required)
22		7	Cable Tie

} Not Illustrated



SOLENOID AND COOLANT PIPING (AMERICOLD)

ULTRA - 2



P2513

SOLENOID AND COOLANT PIPING (AMERICOLD)

ITEM PART NO. QTY. DESCRIPTION

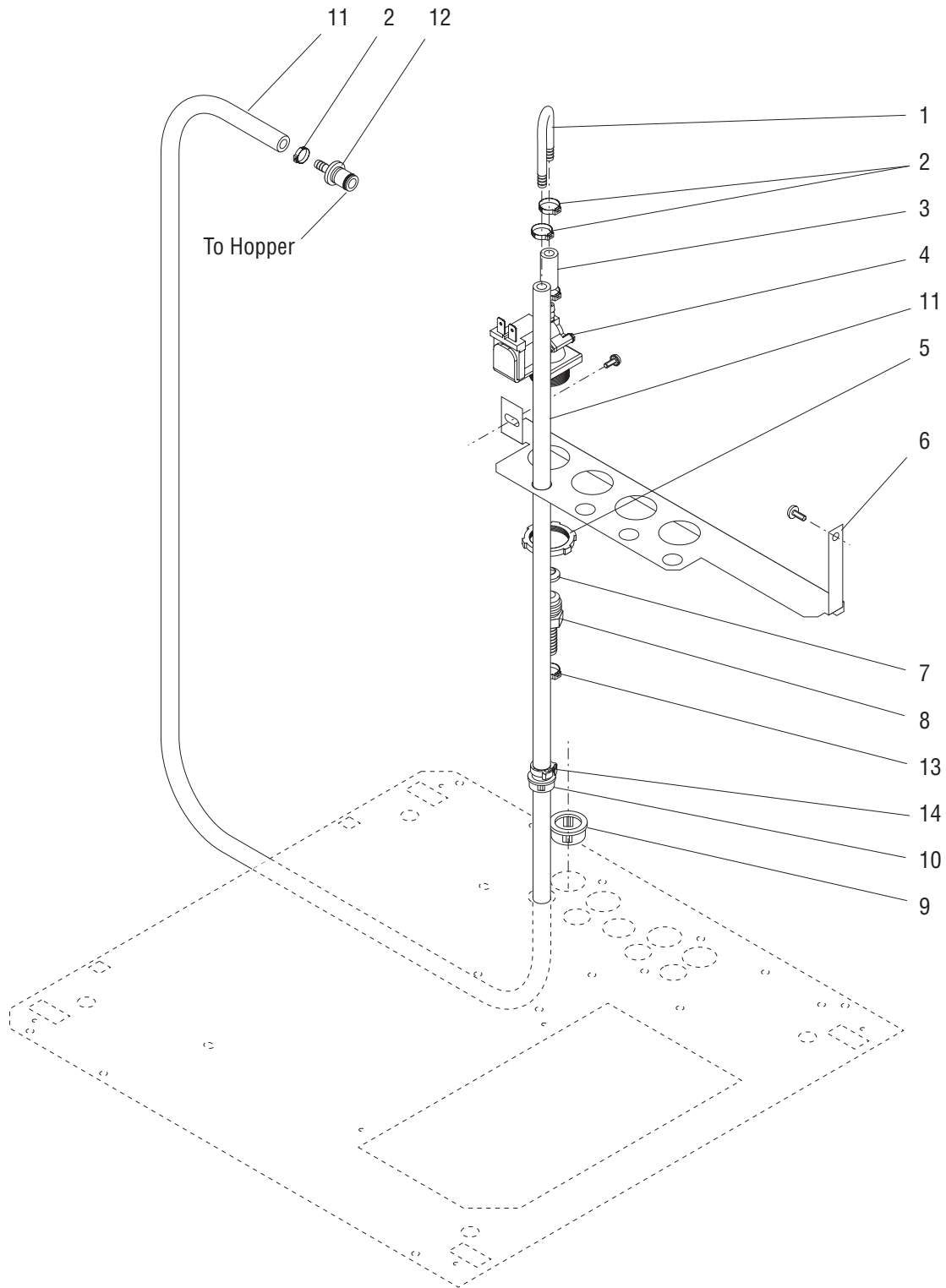
NOTE: Compressors and related parts are no longer available. No substitutes are available.

1	-----	1	Condenser (See Condenser and Fan Mounting)	
2		1	Tube .375" O.D. Accumulator to Left Cooling Drum (Requires brazing to install)	
3	27607.1000	1	Tube .093" O.D. Solenoid to Left Cooling Drum (Requires brazing to install)	
	27607.1001	1	Tube .093" O.D. Solenoid to Right Cooling Drum (Requires brazing to install)	
4		1	Tube .375" O.D. Accumulator to Right Cooling Drum (Requires brazing to install)	
5	28925.0000	2	Adapter, Reducing (Requires brazing to install)(Early Models)	
6	-----	2	Cooling Drum (See Auger Drive and Cooling Drum)	
7	32113.0000	1	Bracket, Solenoid Mounting	
	02308.0000	1	Screw, Pan Head Serrated #8-32 x .375"	
8	32133.0000	2	Solenoid Assy (120V)	
	32133.0001	2	Solenoid Assy (230V)	
	02332.0001	2	Screw, Crimptite #6 x .25"	
9	-----	1	Compressor (See Compressor and Mounting)	
10	32256.0000	1	Dryer Assembly (Requires brazing to install)	
11	OBSOLETE	1	Tube .312" O.D. Accumulator to Compressor (Requires brazing to install)	
12	OBSOLETE	1	Tube .250" O.D. Condenser to Compressor (Requires brazing to install)	
13	-----	1	Tube, Condenser to Dryer (Early Models) (Requires brazing to install)	
	34211.0000	1	Tube, Condenser to Dryer (Late Models) (Includes items 15 & 16) (Requires brazing to install)	
14	32257.0000	1	Accumulator, Suction (Requires brazing to install)	
15	27641.0000	1	Cap, Valve Access	
16	27642.0000	1	Valve Core	
17	27411.0000	1	Cup, Condensate	
18	M2316.1000	-	Insulation, Tube .375" I.D. x 6 ft LG (As Required)	} Not Illustrated
19	00617.0000	8	Tie, BLK Nylon 3.90" LG (As Required)	
20		7	Cable Tie	



INTERNAL LIQUID AUTOFILL KIT (Optional)

ULTRA - 2



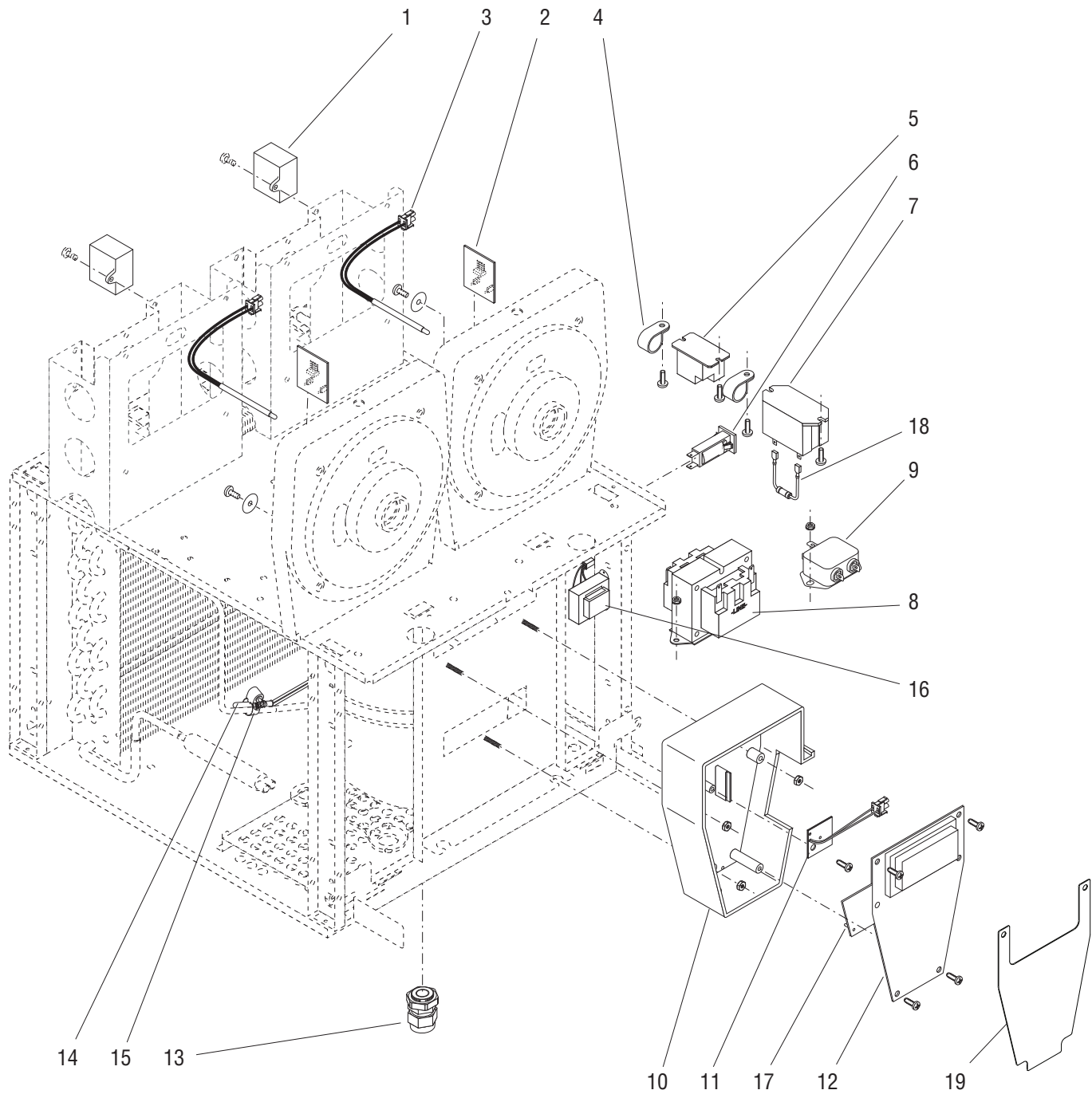
P3458

INTERNAL LIQUID AUTOFILL KIT (Optional)

ITEM	PART NO.	QTY.	DESCRIPTION
Quantities listed below are for one solenoid only. Two to four may required.			
1	37931.0000	1	Tube
2	21275.0006	4	Clamp .41 - .50"
3		1	Hose .25" ID x 1.0"
4	37933.0000	1	Solenoid, Syrup Valve 120V
	37933.0001	1	Solenoid, Syrup Valve 230V
	37933.0002	1	Solenoid, Syrup Valve 100V
5	37958.0000	1	Locknut
6	37878.0000	1	Bracket, Autofill
	01311.0001	1	Screw, Truss Head #8-32 x .25" Locking
	02332.0001	1	Screw, Hex Head #6 x .25"
7	33149.0000	1	Gasket
8	35174.0003	1	Fitting .375" Barb x .375" Flare
9	01663.0000	1	Bushing, Snap
10	07070.0000	1	Bushing, Snap
11	32745.0027	1	Hose .25" ID x 55.0"
12	38021.0000	1	Coupling .25" Barb
	42921.0000	1	Coupling .38" Barb (For Models using .38" ID hose)
13	21275.0003	1	Clamp .57 - .70"
14	12422.0011	1	Clamp .40-.45" ID



(Continued)



ELECTRICAL AND OPERATING CONTROLS

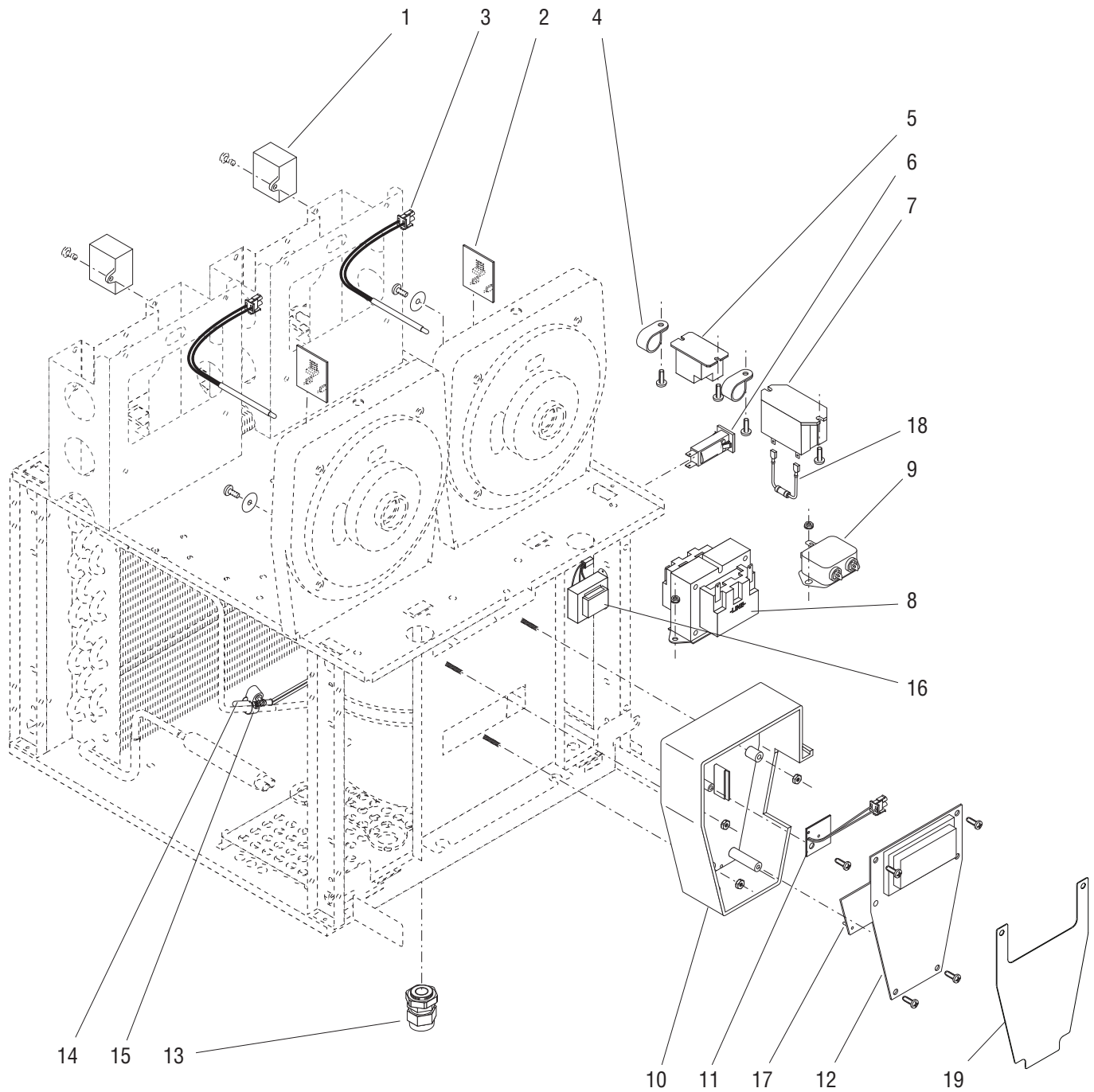
ITEM	PART NO.	QTY.	DESCRIPTION
1	27178.0000	2	Capacitor, Auger Motor 370 VAC (120V)
	27178.0001	2	Capacitor, Auger Motor 500 VAC (230V)
2	38708.1000	2	Circuit Board, Torque Sensor (120/230V)
	02308.0000	2	Screw, Pan Head Serrated #8-32 x .375"
	02360.0000	2	Washer, .188" I.D. x .75" O.D.
3	27246.1000	2	Temperature Sensor (Includes Connector)
4	00604.0000	2	Clip
	01317.0003	2	Screw, Truss Head Locking #8-32 x .375"
5	32104.0000	1	Relay, Lighting
	01382.0000	2	Screw, Truss Head #6-32 x .38"
6	27181.0000	1	Circuit Breaker, 5 amp
7	37711.0000	1	Relay, 120V (ULTRA-2)
	37711.0001	1	Relay, 230V (ULTRA-2A)
	02308.0000	2	Screw, Pan Head Serrated #8-32 x .375"
8	27644.1002	1	Transformer, 120V 60 Hz
	27644.1004	1	Transformer, 230V 50/60 Hz
	27644.1005	1	Transformer, 115V (Spanish Models)
	00970.0000	2	Nut, Keps #8-32
9	29446.0006	1	EMI Filter (ULTRA-2A only)
	00970.0000	2	Nut, Keps #8-32
10	OBSOLETE	1	Box, Electronic Control
	00973.0000	3	Nut, Keps #6-32
11	OBSOLETE	1	Memory Clock Board
	24544.0000	1	Screw, Pan Head #8-18
			DISCONTINUED
			Early Models. Not required with
			44039.#### Circuit Boards
12	44039.1000	1	Circuit Board Assy, Bilingual, Main 120V
	44039.1008	1	Circuit Board Assy, Bilingual, Main 230V
	24544.0000	4	Screw, Pan Head #8-18
13	05746.1000	1	Bushing, Strain Relief
14	32269.0000	1	Probe, Thermister
15	29421.0001	1	Clamp, Worm Drive
16	OBSOLETE	1	Transformer, 230V (Early Models)
	02308.0000	2	Screw, Pan Head Serrated #8-32 x .375"
	00970.0000	2	Nut, Keps #8-32
17	38983.1001	1	Circuit Board, Autofill (Models with LAF & CF Refill Systems)
18		1	Resistor (230V)
19	52940.0000	1	Shield

(Continued)



ELECTRICAL AND OPERATING CONTROLS

ULTRA - 2



P2514

ELECTRICAL AND OPERATING CONTROLS

ITEM	PART NO.	QTY.	DESCRIPTION
The following items are not illustrated:			
20	32263.0000	1	Harness, Main (120V)
	OBSOLETE	1	Harness, Main (230V)
	32263.0006	1	Harness, Main (Autofill Ready Models with NT2168 Compressor)
	32263.0007	1	Harness, Main (Autofill Ready Models with NT2168 Compressor)(Salt Air Resistant)
	00970.0000	1	Nut, Keps #8-32 (Grounding)
21	32163.0000	1	Harness, Membrane Switch to Electronic Control
	32163.0002	1	Harness, Membrane, INTFC (ULTRA-2) W/ NYOGEL
22	20630.0009	1	Power Cord 120V
		1	Power Cord 230V
		1	Power Cord 230V (KETI units)
23	37962.0000	1	Harness, Autofill Circuit Board to Syrup Valves (Models with Internal Autofill Option)
	37962.0001	1	Harness, Autofill Circuit to CF Valves 120V
	37962.0002	1	Harness, Autofill Circuit to CF Valves 230V
			} Models with LAF CF
24	OBSOLETE	1	Jumper, WHI EMI Filter (230V)
25	OBSOLETE	1	Jumper, BLK EMI Filter (230V)
26	OBSOLETE	1	Jumper, Compressor (230V)(Early Models)