



ILLUSTRATED PARTS CATALOG

Designs, materials, weights, specifications, and dimensions for equipment or replacement parts are subject to change without notice.

Bunn-O-Matic Corporation

Post Office Box 3227, Springfield, Illinois 62708-3227

Phone (217) 529-6601 | Fax (217) 529-6644

Technical Support Phone (800) 286-6070

BUNN-O-MATIC COMMERCIAL PRODUCT WARRANTY

Warranty statements and information can be found on our website. Please visit <https://commercial.bunn.com/support/warranty-lookup> for further details.

TABLE OF CONTENTS

| | |
|---------------------------------------|----|
| Frame, Panels and Drip Trays..... | 4 |
| Front Panel Components..... | 6 |
| Hopper Assembly..... | 8 |
| Electrical Components | 10 |
| Refrigeration | 12 |
| Compressor R290..... | 16 |
| CFV Platform Assembly - Housing | 18 |
| CFV Assembly - Valves..... | 20 |
| LAF Platform Assembly - Housing | 22 |
| LAF Assembly - Valves..... | 24 |
| Power Cords & Wiring Harnesses..... | 26 |

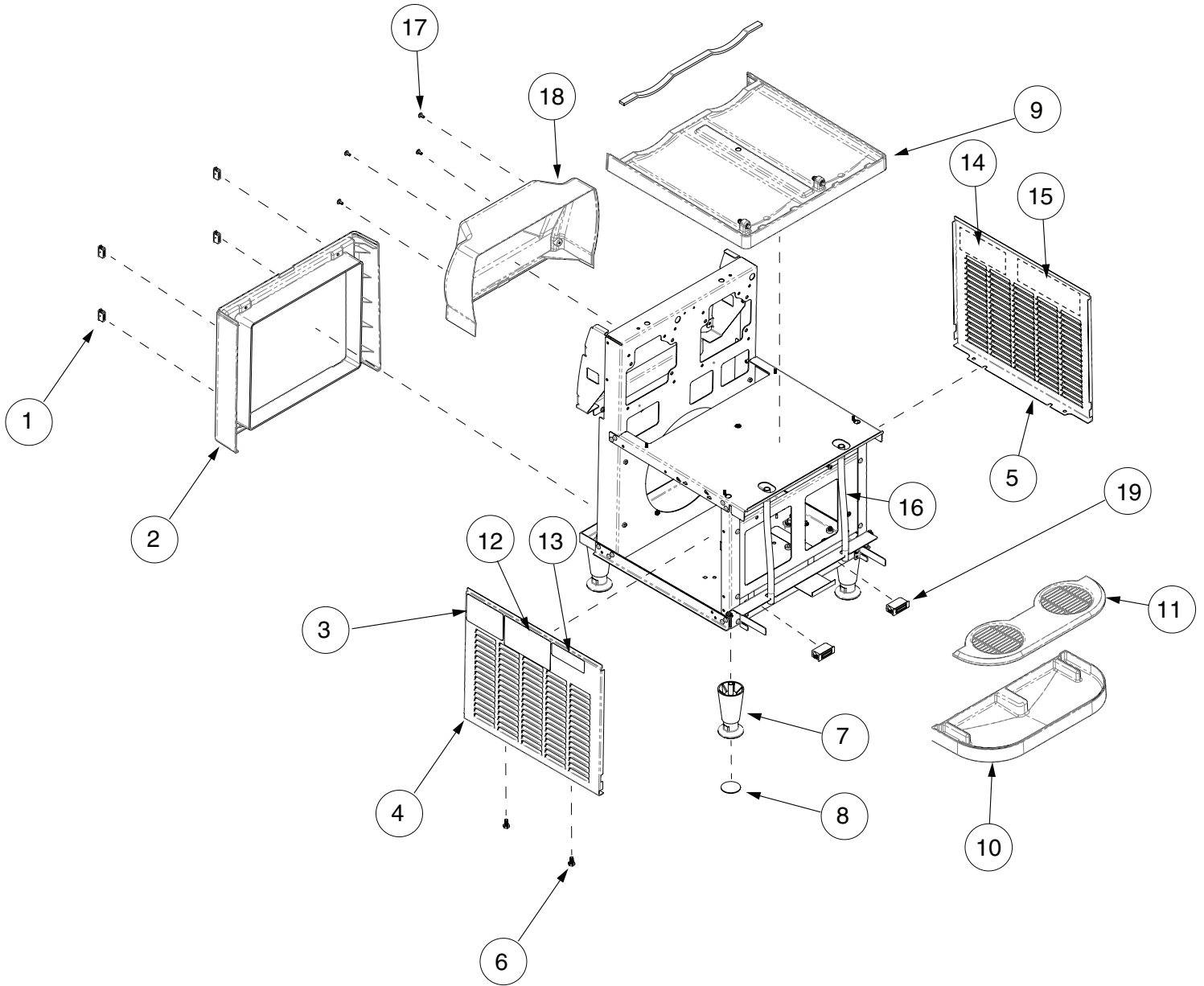
TIPS:



To **Search/Find** content in this document, use "**Ctrl+F**" (PC)

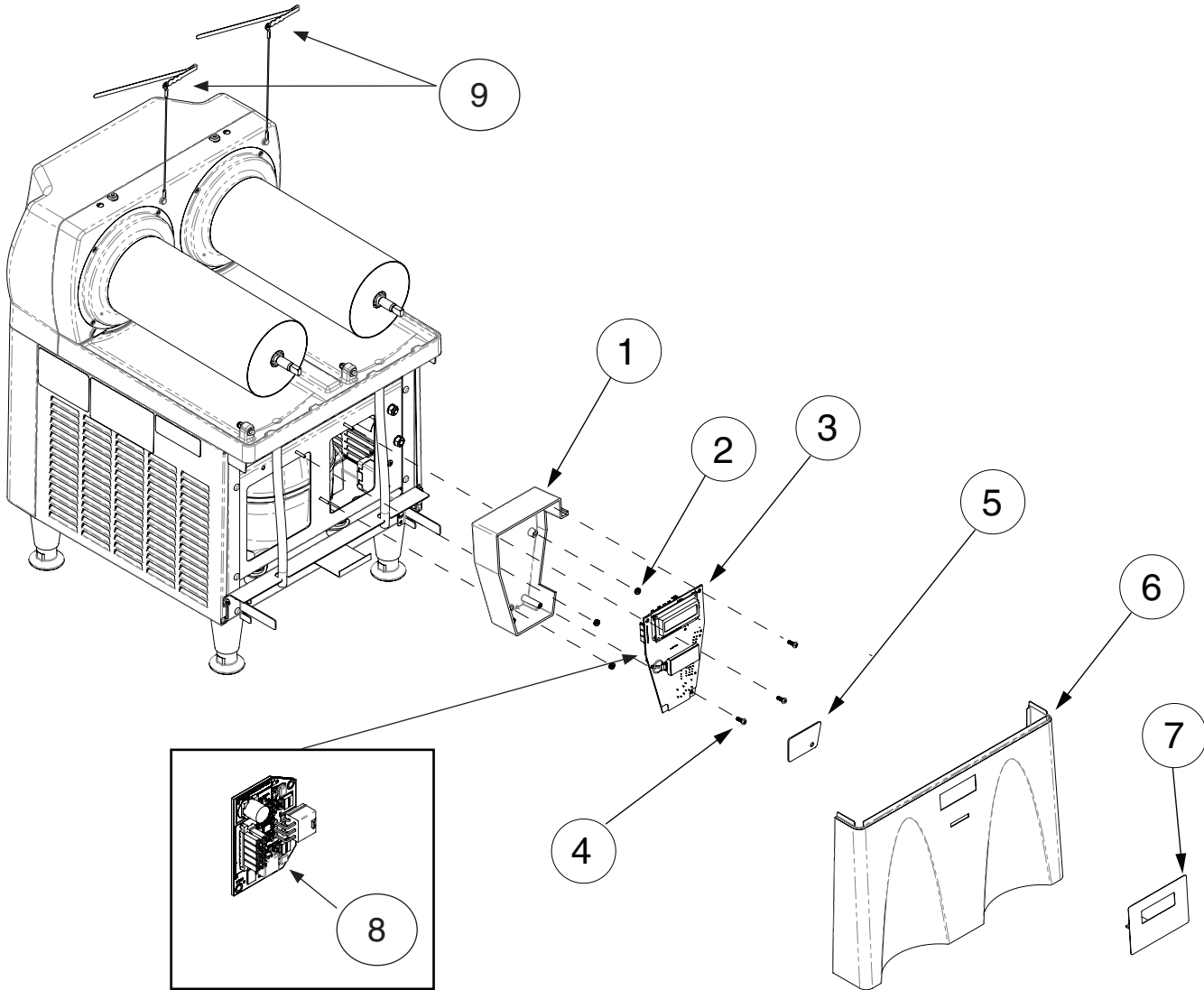


To **Search/Find** content in this document, use "**Command+F**" (Mac)



FRAME, PANELS AND DRIP TRAYS

| ITEM | QTY | DESCRIPTION | PART NO. | NOTES |
|---|-----|---------------------------------------|------------|---------------|
| 1 | 4 | CATCH, MAGNETIC-SNAP IN | 21436.0000 | |
| 2 | 1 | FRAME, FILTER MTG ULTRA NX - BLK | 57579.0001 | |
| | | FRAME, FILTER MTG ULTRA NX - WHT | 57579.0000 | |
| 3 | 1 | DATAPLATE, LABEL | | |
| 4 | 1 | PNL W/DECALS,LEFT SIDE SST 120V | 58192.0000 | |
| | 1 | PNL W/DECALS,LEFT SIDE SST 230V | 58192.0001 | |
| | 1 | PNL W/DECALS,LEFT SIDE BLK 120V | 58192.0003 | |
| | 1 | PNL W/DECALS,LEFT SIDE BLK 230V | 58192.0004 | |
| 5 | 1 | PNL W/DECALS,RIGHT SIDE SST | 58192.0002 | |
| | 1 | PNL W/DECALS,RIGHT SIDE BLK | 58192.0005 | |
| 6 | 2 | SCREW, HEX HD .25-20 X .50 | 37549.0000 | |
| 7 | 4 | LEG, NICKEL PLATED | 40041.0000 | |
| 8 | 4 | PAD, ANTI SKID | 40042.0000 | |
| 9 | 2 | DRIP TRAY, HOPPER ULTRA NX - WHT | 56779.0000 | |
| | 2 | DRIP TRAY, HOPPER ULTRA NX - BLK | 56779.0001 | |
| 10 | 1 | DRIP TRAY BASE, ULTRA NX - WHT | 57659.1000 | |
| | | DRIP TRAY BASE, ULTRA NX - BLK | 57659.1001 | |
| 11 | 1 | DRIP TRAY COVER, ULTRA NX - WHT | 57660.0000 | |
| | 1 | DRIP TRAY COVER, ULTRA NX - BLK | 57660.0001 | |
| 12 | 1 | DECAL, WARNING ULTRA NX | 57864.0000 | |
| 13 | 1 | DECAL, RFGT CHARGE 120V R290 | 29373.0005 | |
| 14 | 1 | DECAL, DANGER R-290 REPAIR ONLY | 57862.0000 | |
| 15 | 1 | DECAL, CAUTION R-290 ULTRA NX | 57863.0000 | |
| 16 | 2 | TUBE,CLEAR FLEX.375IDx10.50 | | Order item 20 |
| 17 | 1 | SCREW, TRH SLTD BLK 8-32x.375 LKG | 01317.0005 | |
| 18 | 1 | MOTOR COVER, AUGER ULTRA NX - WHT | 56652.0000 | |
| | | MOTOR COVER, AUGER ULTRA NX - BLK | 56652.0001 | |
| | | MOTOR COVER, AUGER ULTRA NX - WHT CFV | 56652.0002 | |
| | | MOTOR COVER, AUGER ULTRA NX - BLK CFV | 56652.0003 | |
| | | MOTOR COVER, AUGER ULTRA NX - BLK LAF | 56652.0005 | |
| 19 | 2 | CATCH, MAGNET SNAP IN | 21436.0000 | |
| THE FOLLOWING PARTS ARE NOT ILLUSTRATED: | | | | |
| 20 | - | TUBE,CLEAR FLEX-.375IDx12.0LG | 12421.1001 | |
| | - | TUBE, CLEAR FLEX-.375IDx60.0LG | 12421.1002 | |
| | - | TUBE,CLEAR FLEX-.375IDx180LG | 12421.1004 | |
| | | | | |
| | | | | |
| | | | | |



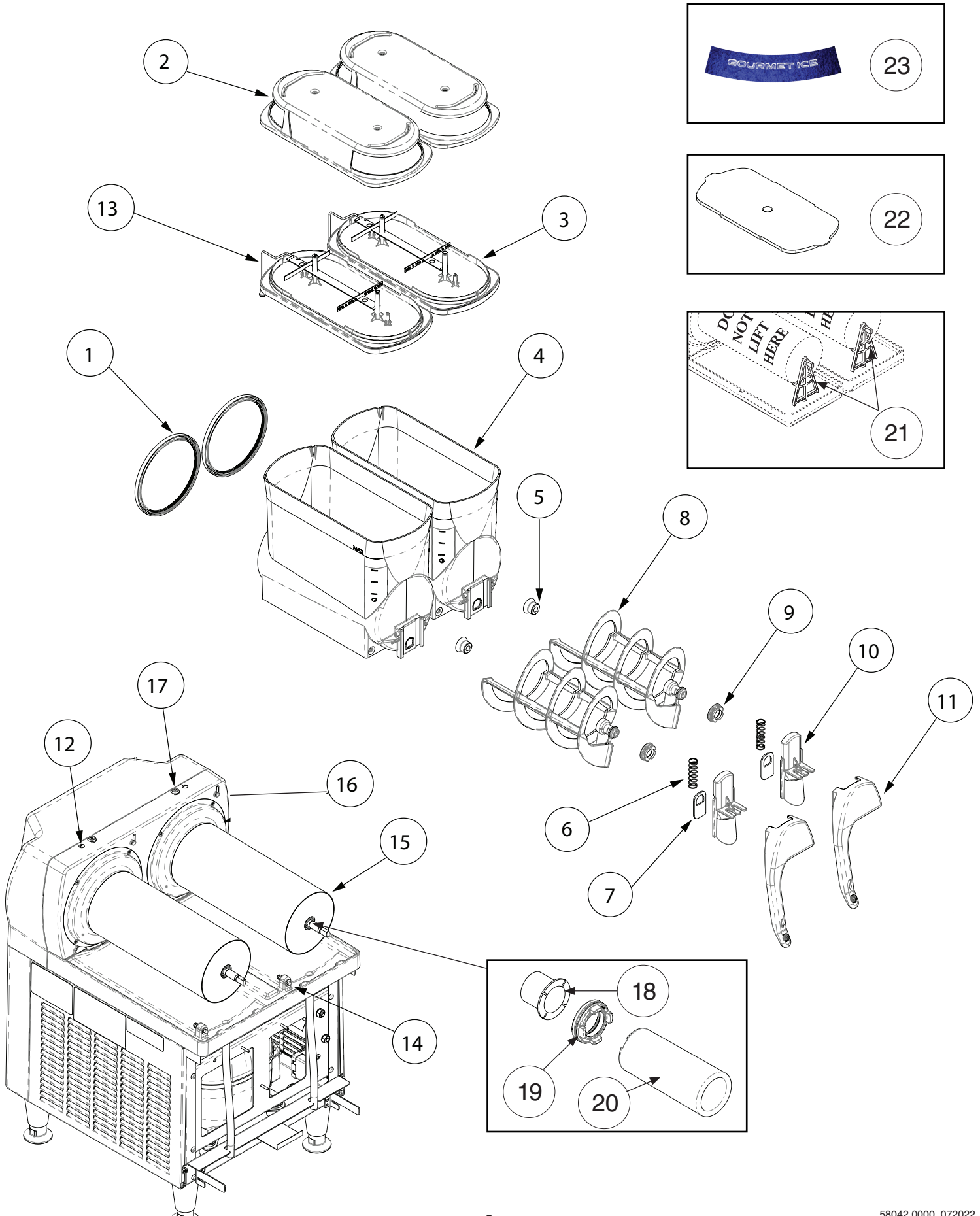
FRONT PANEL COMPONENTS

| ITEM | QTY | DESCRIPTION | PART NO. | NOTES |
|------|-----|--------------------------------------|----------------------------|-------------------------------------|
| 1 | 1 | HOUSING, ELECTRONIC CONTROL ULTRA NX | 32121.0001 | |
| 2 | 3 | NUT, KEPS 6-32 ZINC PLATE | 00973.0000 | |
| 3 | 1 | CBA KIT, ULTRA NX MAIN | 57667.1000 | |
| 4 | 3 | SCREW, PNH PHH #8-18 TRI-LOBE | 24544.0000 | |
| 5 | 1 | SHIELD, CBA MAIN ULTRA NX | 58348.0001 | |
| 6 | 1 | PANEL, FRONT ULTRA-2 BLACK | 32116.1001 | |
| | 1 | PANEL, FRONT ULTRA-2 SST | 32116.1000 | |
| 7 | 1 | KIT, MEMBRANE SWITCH ULTRA-2 BLACK | 32126.1004 | |
| 8 | 1 | CBA KIT, AUTO FILL ULTRA NX | 57675.1000 | For CFV and LAF Bases |
| 9 | 2 | PROBE ASSY, LOW LEVEL DETECT 5.82 LG | 38055.0006 | Includes: Probe, Cable & Weld Screw |
| | | | | |



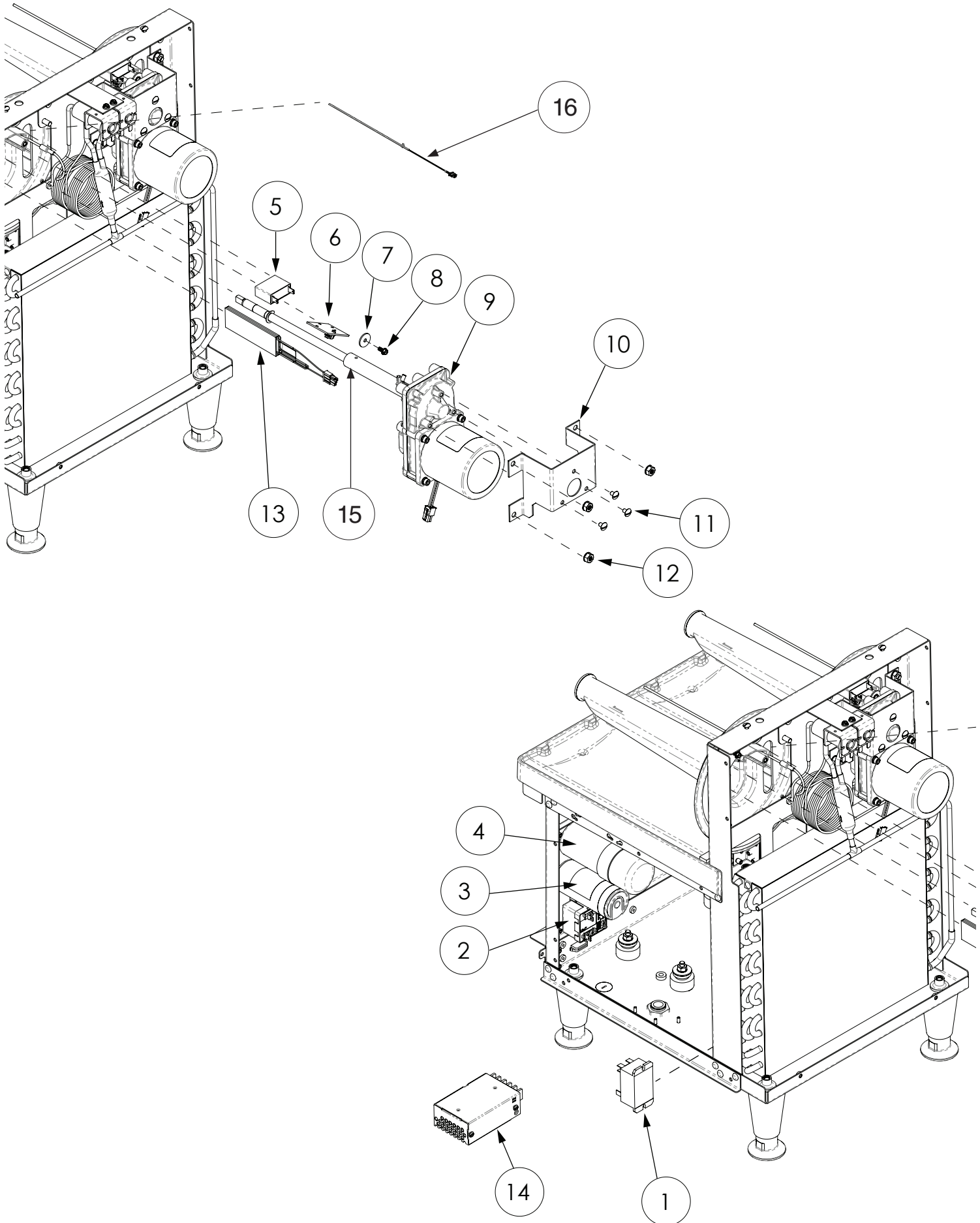
HOPPER ASSEMBLY

Ultra®NX



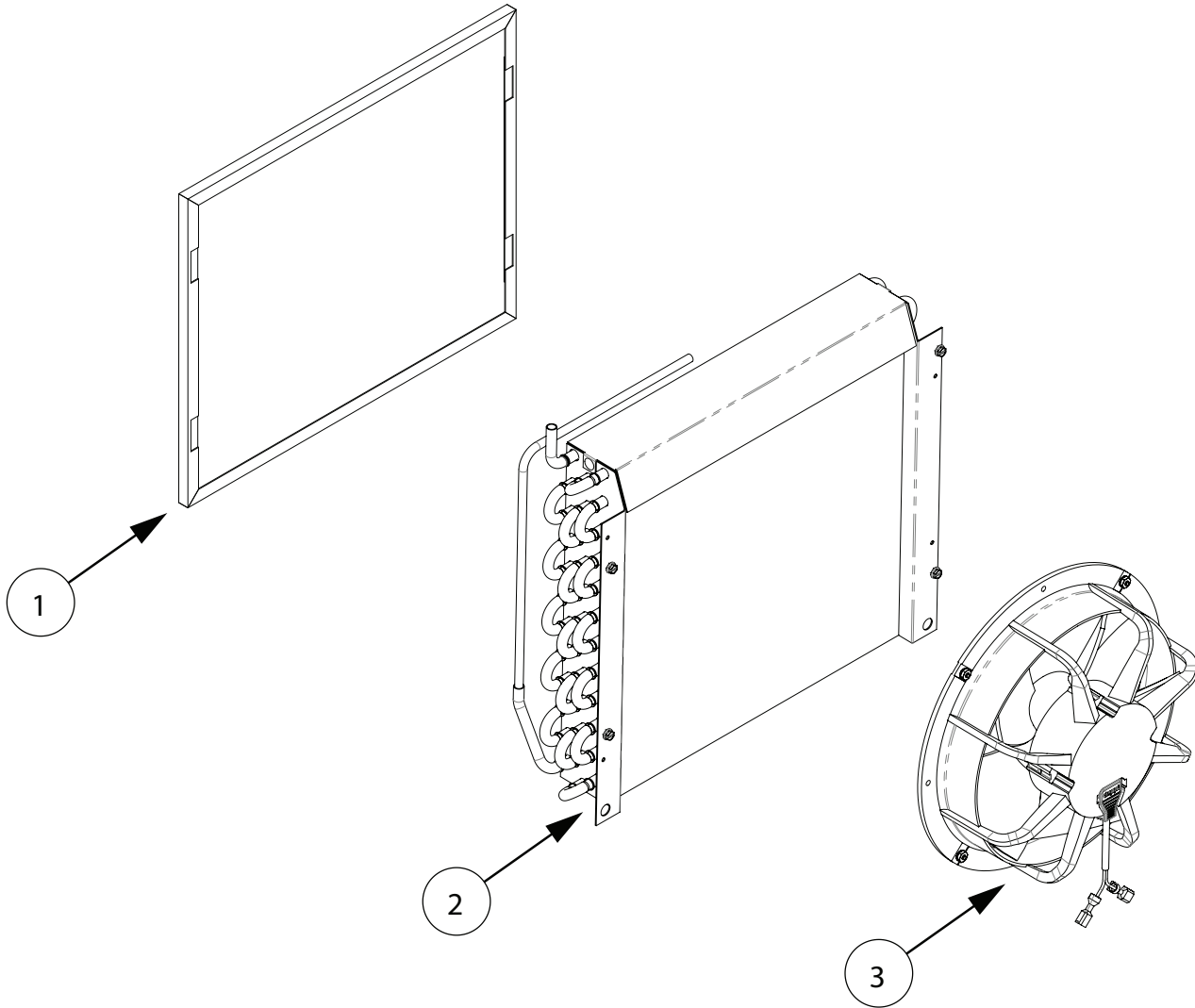
HOPPER ASSEMBLY

| ITEM | QTY | DESCRIPTION | PART NO. | NOTES |
|---|-----|--|------------|---|
| 1 | 2 | SEAL, COOLING DRUM HOPPER MTG | 32079.0001 | |
| 2 | 2 | COVER, HOPPER BLACK ULTRA NX | 57588.0001 | |
| | | COVER, HOPPER WHITE ULTRA NX | 57588.0000 | |
| 3 | 2 | LINER, HOPPER COVER ULTRA NX | 57587.0000 | |
| 4 | 2 | HOPPER, ULTRA NX 3 GAL | 32190.1016 | Includes item 9 |
| | 2 | HOPPER, ULTRA NX CFV / LAF | 32190.1017 | Includes item 9 |
| | 2 | HOPPER, ULTRA NX PAF | 32190.1011 | Includes item 9 |
| 5 | 2 | SEAL, AUGER SHAFT | 26780.0000 | Requires item 24 or 25 |
| 6 | 2 | SPRING,COMP .072x.72DIAx3.0LG | 32193.0000 | |
| 7 | 2 | KIT, FAUCET SEALS - ULTRA, 2 SEALS | 32268.1000 | |
| 8 | 2 | AUGER, HOPPER ULTRA-2 | 32106.0001 | |
| 9 | 2 | BUSHING, HOPPER-AUGER NOSE | 32189.0000 | |
| 10 | 2 | VALVE, FAUCET FROZEN BLACK ULTRA NX | 57793.0006 | FROZEN |
| | 2 | VALVE, FAUCET CHILLED BLACK ULTRA NX | 57793.0007 | CHILLED |
| 11 | 2 | HANDLE, EXTENDED ULTRA NX BLK NYLON AM | 44614.0004 | |
| 12 | 2 | SCREW, TRH-SLTD #8-32 | 01317.0000 | |
| 13 | 1 | CBA & MAG CORD ASSY, LED-ULTRA HPR COVER | 47297.0001 | |
| 14 | 2 | PLUNGER ASSY, HOPPER LOCK | 29702.1000 | |
| 15 | 1 | DRUM ASSY, EVAP COATED FOAMED ULTRA NX | 56765.0001 | Use up. Order item 29 as replacement |
| 16 | 1 | MOUNT, COOLING DRUM ULTRA NX - WHT | 56651.0000 | |
| | 1 | MOUNT, COOLING DRUM ULTRA NX - BLK | 56651.0001 | |
| 17 | 2 | MAG CONTACT BASE | 27643.0003 | |
| 18 | 2 | BUSHING, HOPPER - AUGER | 26781.0000 | |
| 19 | 2 | SEAL, COOLING DRUM TO SHAFT .270 THK | 37593.0001 | |
| 20 | 1 | TOOL, COOLING DRUM SEAL INSERTION | 57751.0000 | Included in item 25 |
| 21 | 2 | SUPPORT, EVAPORATOR | 28027.0000 | Included in item 25 |
| 22 | 2 | COVER ASSY, HOPPER-FLAT-ULTRA | 29481.0001 | |
| 23 | 2 | INSERT, DISPLAY - GOURMET ICE | 32266.0053 | |
| THE FOLLOWING PARTS ARE NOT ILLUSTRATED: | | | | |
| 24 | - | LUBRIFILM TUBES, 4OZ HAYNES | M2550.0000 | |
| 25 | - | LUBRIFILM TUBES, 1 OZ HAYNES | M2550.0001 | |
| 26 | - | KIT, KRYTOX GREASE .085 OZ. | 29563.0000 | |
| 27 | 1 | KIT, PM ULTRA NX | 58054.0000 | Includes item 1, 5, 7,18, 19, 20, 21, 22 & 24 |
| 28 | 2 | LID ASSY, DISPLAY HOPPER WHITE | 57678.1000 | Includes item 2,3,13 |
| | 2 | LID ASSY, DISPLAY HOPPER BLACK | 57678.1001 | Includes item 2,3,13 |
| 29 | 2 | CBA & MAG CORD ASSY, LED-ULTRA HPR COVER | 47297.0001 | |
| 30 | 1 | DRUM ASSY, EVAP COATED FOAMED EXT ULT NX | 56765.0003 | Substitute for item 15 |



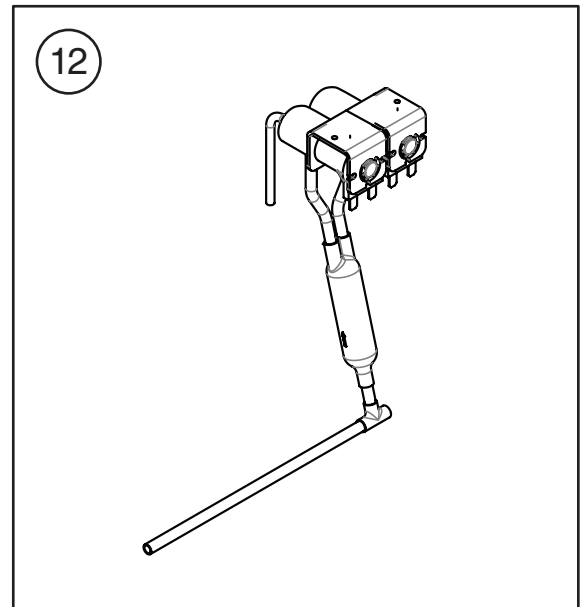
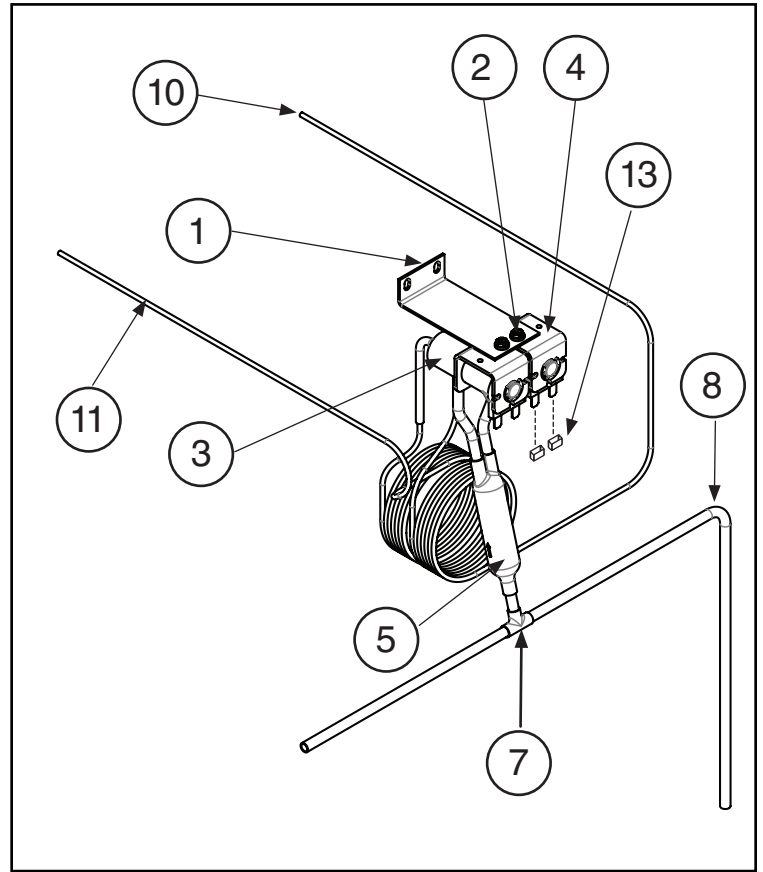
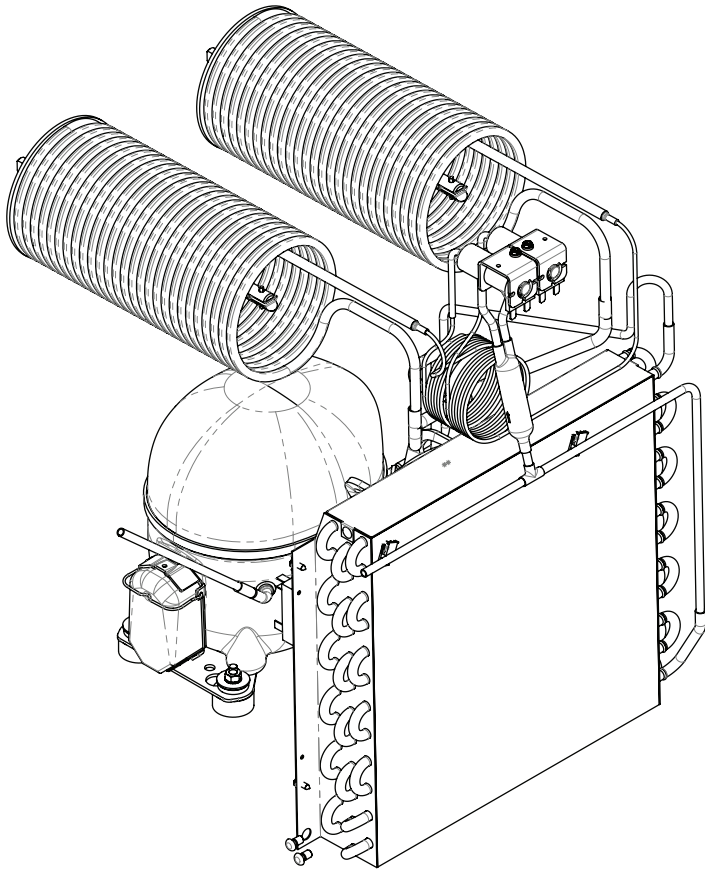
ELECTRICAL COMPONENTS

| ITEM | QTY | DESCRIPTION | PART NO. | NOTES |
|---|-----|--|------------|--------------------------------------|
| 1 | 1 | RELAY, 40A DPST NO 24VDC | 57775.0000 | |
| 2 | 1 | RELAY, COMPRESSOR START 115V | 57641.0000 | |
| | | RELAY, COMPRESSOR START 230V | 57641.0001 | |
| 3 | 1 | CAPACITOR, START 115-127V | 57642.0000 | |
| | | CAPACITOR, START 220-240V | 57642.0001 | |
| 4 | 1 | CAPACITOR ASSY, RUN 115V | 57643.0000 | |
| | | CAPACITOR ASSY, RUN 220-240V | 57643.0001 | |
| 5 | 2 | CAPACITOR, 250 VAC | 27178.0000 | |
| | | CAPACITOR, 500 VAC | 27178.0001 | |
| 6 | 2 | CBA KIT, POSITION SENSOR | 38708.1000 | |
| 7 | 1 | WASHER,NKL PL-.188IDx.75ODx.06 | 02360.0000 | |
| 8 | 1 | SCREW,PNHSLTD W/SERR 8-32x.38 | 02308.0000 | |
| 9 | 2 | AUGER MOTOR (120V) .188 PIN | 28093.1015 | |
| | | AUGER MOTOR (230V) .188 PIN | 28093.1016 | |
| | 1 | BEARING, TORSION SPRING ROHS - .188 PIN | 27440.0002 | Included in Item 9 |
| | 1 | PIN, DRIVE SST .188 OD X .938LG | 57216.0000 | Included in Item 9 |
| 10 | 2 | BRACKET, MOTOR MTG ULTRA NX | 27232.0002 | |
| 11 | 6 | SCREW, TRH LKG PATCH 10-32x.31 | 01326.0002 | |
| 12 | 6 | NUT, KEPS .25-20 ZINC PLTD | 23700.0000 | |
| 13 | 1 | HEATER, PTC 120V ULTRA NX | 57625.1002 | Includes 0.2oz of heat sink compound |
| | 1 | HEATER, PTC 230V ULTRA NX | 57625.1003 | Includes 0.2oz of heat sink compound |
| 14 | 1 | POWER SUPPLY, 24VDC 1.1A 26.4W 1 PHASE | 33363.0013 | |
| | | POWER SUPPLY, 24VDC 4.5A 108W 1 PHASE | 33363.0014 | Auto-fill models |
| | | POWER SUPPLY, 5V 3A/12V 1A/24V 1A DC 51W | 33363.0019 | |
| 15 | 2 | SHAFT ASSY, AUGER DRIVE - .188 PIN ULTRA | 28081.0003 | |
| | 1 | SHAFT, AUGER-CERAMIC CTD ULTRA | 32449.0001 | Included in Item 15 |
| 16 | 2 | SENSOR ASSY, TEMP W/TIE | 43694.0001 | |
| THE FOLLOWING PARTS ARE NOT ILLUSTRATED: | | | | |
| 17 | - | HEAT SINK COMPOUND, 5 OZ TUBE | M2522.1000 | |
| 18 | - | KIT, KRYTOX GREASE -0.5 OZ | M2548.1001 | |



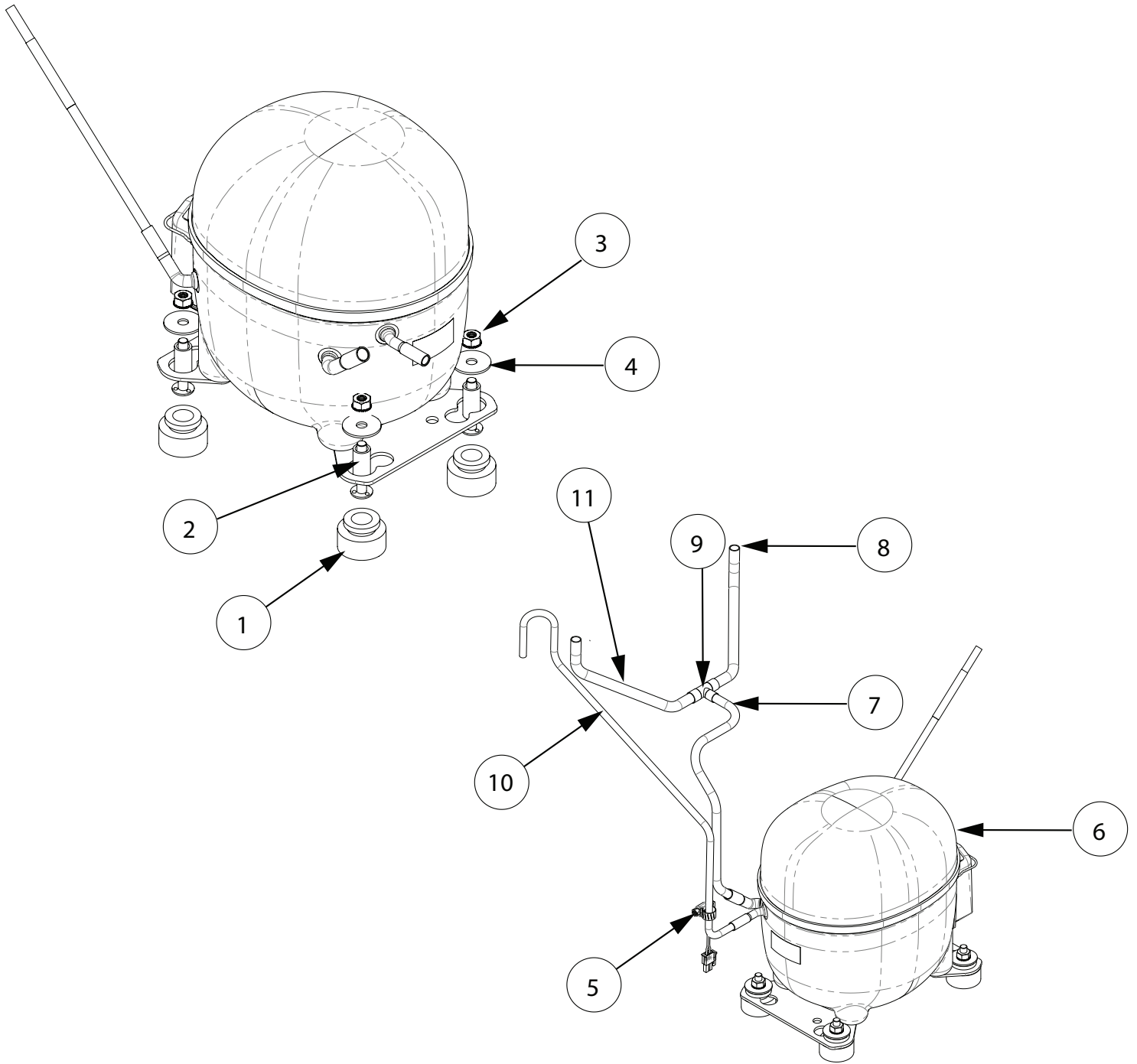
REFRIGERATION

| ITEM | QTY | DESCRIPTION | PART NO. | NOTES |
|------|-----|----------------------------|----------------------------|-------|
| 1 | 1 | GRILL, FILTER | 28122.0002 | |
| 2 | 1 | CONDENSER 12 X 12 X 1.875" | 56751.0000 | |
| 3 | 1 | FAN, 200 MM 120VAC | 57598.0000 | |
| | 1 | FAN, 200 MM 230VAC | 57598.0001 | |



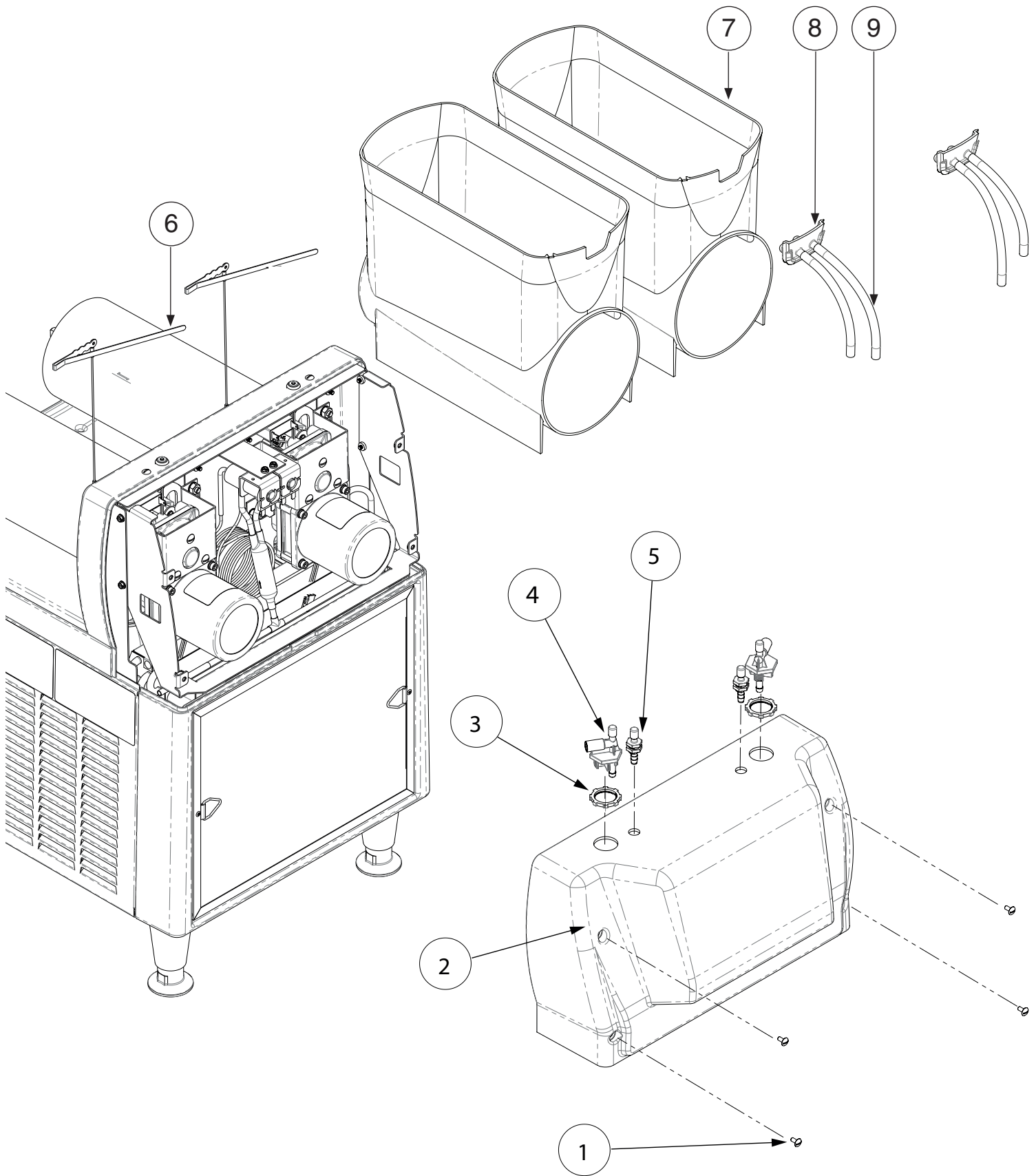
REFRIGERATION

| ITEM | QTY | DESCRIPTION | PART NO. | NOTES |
|------|-----|--|------------|---|
| 1 | 1 | BRACKET, REFRIG SOLENOID MTG ULTRA NX | 32112.0004 | |
| 2 | 2 | SCREW,HEX CRIMPTITE"AB"#6x.25 02332.0001 | 02332.0001 | |
| 3 | 1 | VALVE ASSEMBLY, R290 SOLENOID 120V RIGHT | 32133.1030 | |
| | | VALVE ASSEMBLY, R290 SOLENOID 230V RIGHT | 32133.1040 | |
| 4 | 1 | VALVE ASSEMBLY, R290 SOLENOID 120V LEFT | 32133.1031 | |
| | | VALVE ASSEMBLY, R290 SOLENOID 230V LEFT | 32133.1041 | |
| 5 | 1 | DRYER ASSY, FILTER .250 ID 1 IN/2 OUT | 32256.0003 | |
| 7 | 1 | TEE, CU-SOLDER .25 OD TUBE | 00467-0000 | |
| 8 | 1 | TUBE, COND TO FILTER/DRYER ULTRA NX | 57649.0000 | |
| 10 | 1 | TUBE, LT EVAPORATOR CAPILLARY ULTRA NX | 57770.0000 | |
| 11 | 1 | TUBE, RT EVAPORATOR CAPILLARY ULTRA NX | 57770.0001 | |
| 12 | 1 | VALVE ASSY KIT, FLTR/DRYER 120V ULTRA NX | 58584.1000 | Includes Items 3,4,5,7,13 and Misc. Items Not Illustrated |
| | | VALVE ASSY KIT, FLTR/DRYER 230V ULTRA NX | 58584.1001 | Includes Items 3,4,5,7,13 and Misc. Items Not Illustrated |
| 13 | 2 | O-RING | 50365.0000 | FITS LEFT OR RIGHT SOLENOID |



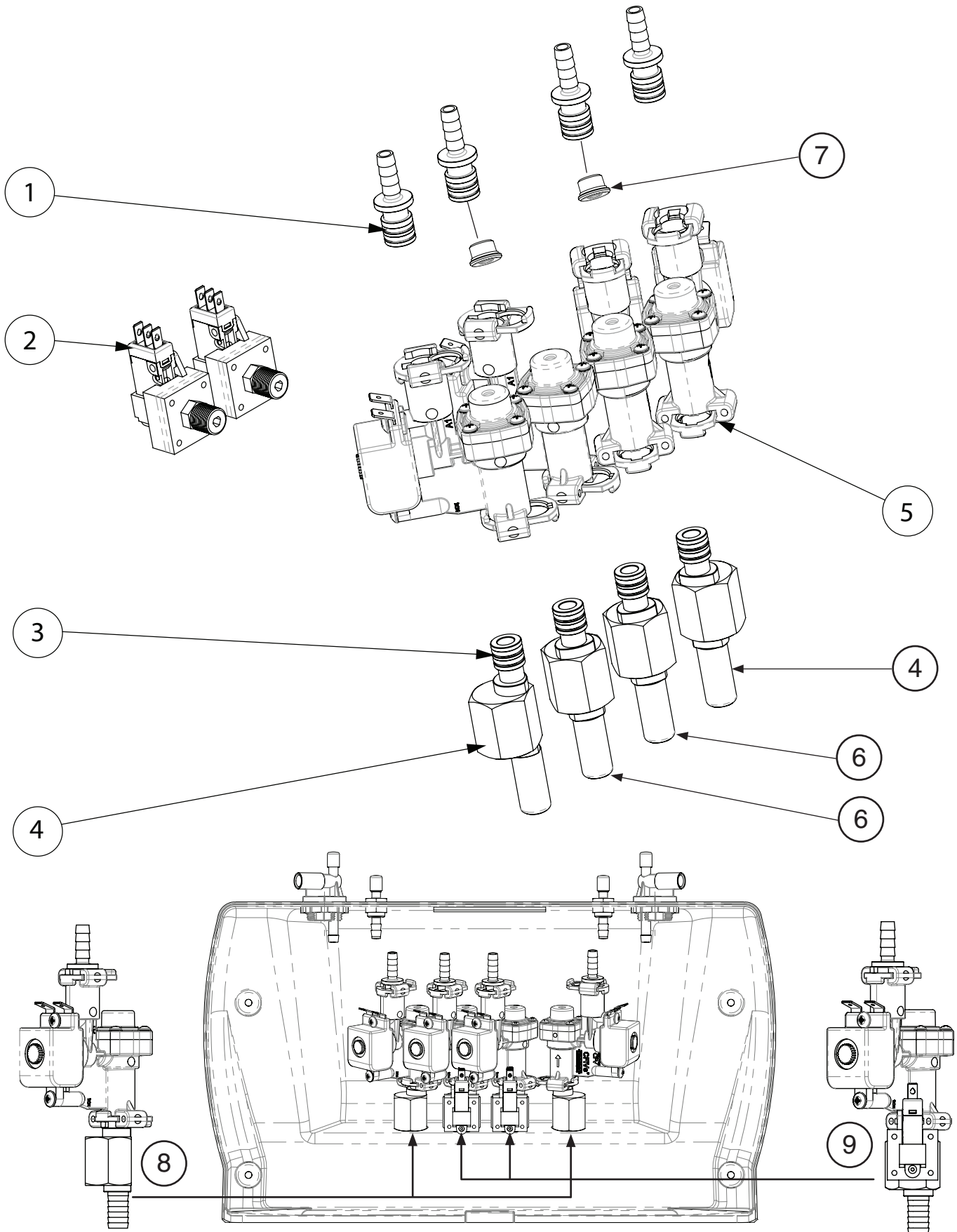
COMPRESSOR R290

| ITEM | QTY | DESCRIPTION | PART NO. | NOTES |
|---|-----|---|----------------------------|---------------------|
| 1 | 4 | GROMMET, COMPRESSOR MOUNT | 32797.0000 | |
| 2 | 4 | SLEEVE,COMPRESSOR MTG EMBRACO | 32798.0000 | |
| 3 | 4 | NUT, KEPS .25-20 ZINC PLTD | 23700.0000 | |
| 4 | 4 | WASHER, .281 IDX 1.00 OD SST | 21431.0003 | |
| 5 | 1 | CLAMP, WORM-DRIVE .125/.312 | 29421.0001 | |
| 6 | 1 | COMPRESSOR, NEX4170UA 115-127V 60 HZ embraco) | 57640.1000 | |
| | 1 | COMPRESSOR, NEU2178U 220-240V 50 HZ (embraco) | 57640.1001 | |
| 7 | | | | |
| 8 | | | | |
| 9 | 1 | TEE, SOLDER- TYPE .375 X .375 X .312 OD | 00396.0003 | |
| 10 | 1 | TUBE, COP .250OD DISCHARGE | 57646.0000 | |
| 11 | | | | |
| THE FOLLOWING PARTS ARE NOT ILLUSTRATED: | | | | |
| 12 | 1 | PROBE, NTC THERMISTOR | 32269.0000 | Installed by item 5 |



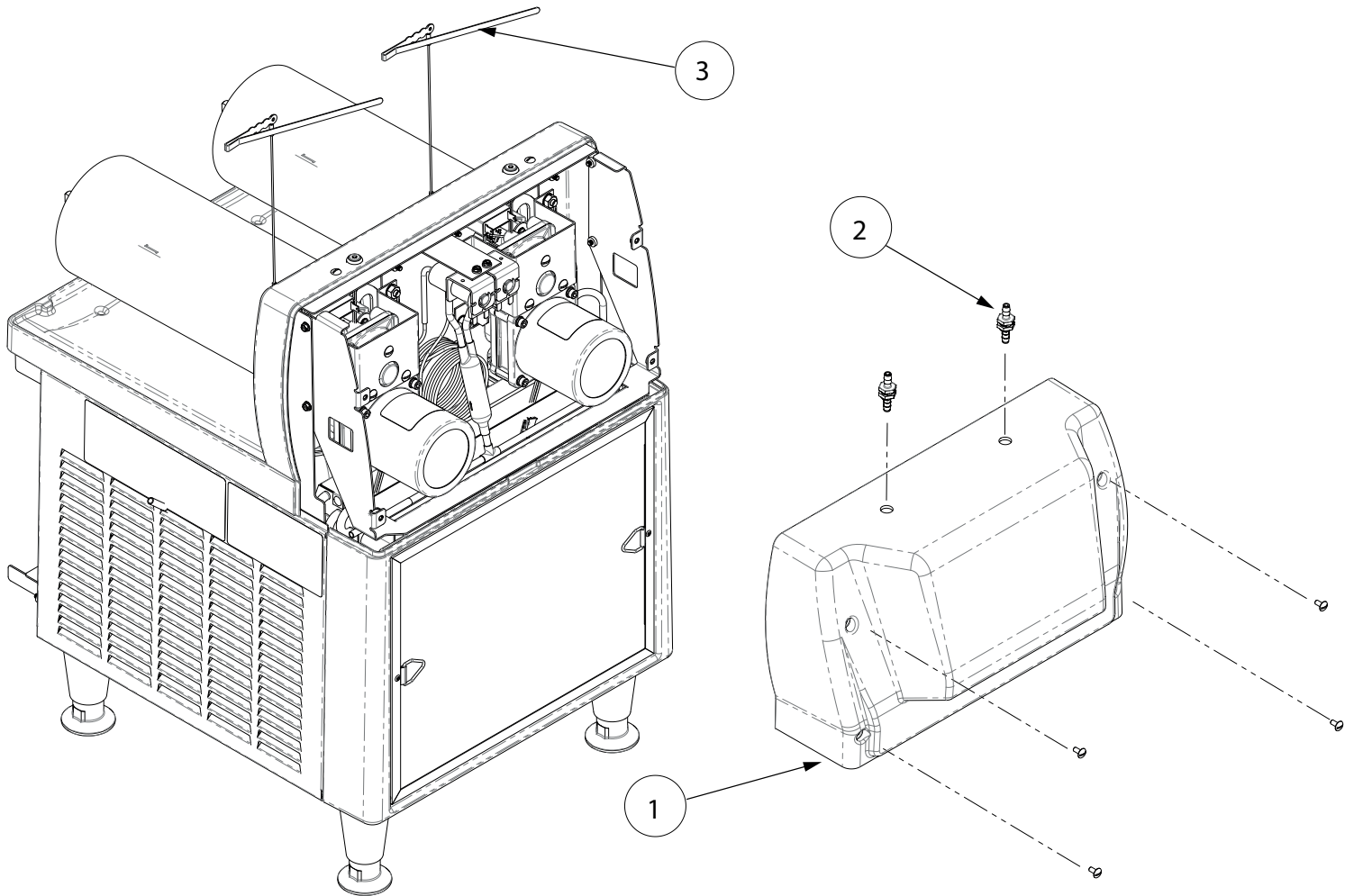
CFV PLATFORM ASSEMBLY - HOUSING

| ITEM | QTY | DESCRIPTION | PART NO. | NOTES |
|---|-----|--|----------------------------|-----------------------|
| 1 | 4 | SCREW, HEX HD WASH | 44408.0000 | |
| 2 | 1 | MOTOR COVER ASSY, AUGER ULTRA - BLK CFV | 58045.1003 | |
| | 1 | MOTOR COVER ASSY, AUGER ULTRA - WHT CFV | 58045.1002 | |
| 3 | 2 | LOCKNUT, .75-14 NPSM THD | 45042.0000 | |
| 4 | 2 | VALVE ASSY, NEEDLE .250 BULKHEAD | 43115.1000 | |
| | 2 | SCREW, NEEDLE VALVE .3125 BULKHEAD | 43117.0000 | part of item 4 |
| | 2 | O-RING, -005 EP 70 | 24733.0016 | part of item 4 |
| | 1 | LUBE, SILICONE HAYNES 1OZ TUBE | 44023.0001 | used on item 4 |
| | | | | |
| 5 | 2 | FITTING, .250 BARB BULKHEAD-KYNAR | 43121.0000 | |
| 6 | 2 | KIT, PROBE ASSY ULTRA NX CF/LAF | 58303.0000 | |
| 7 | 2 | HOPPER, ULTRA NX CFV / LAF | | Go to Hopper Assembly |
| 8 | 2 | FITTING, DUAL INLET ANGLED - ULTRA CFV/LAF | 43823.0002 | |
| 9 | 4 | TUBING, SILICONE .188IDx.313 OD X 7.0LG | | Order item 10 |
| | | | | |
| THE FOLLOWING PARTS ARE NOT ILLUSTRATED: | | | | |
| 10 | - | KIT, TUBE SILICONE .188 IDx12.0 LG | 41113.1000 | |
| | - | KIT, TUBE SILICONE.188IDx36.0LG | 41113.1001 | |
| | - | KIT, TUBE SILICONE.188IDx120.0LG | 41113.1002 | |



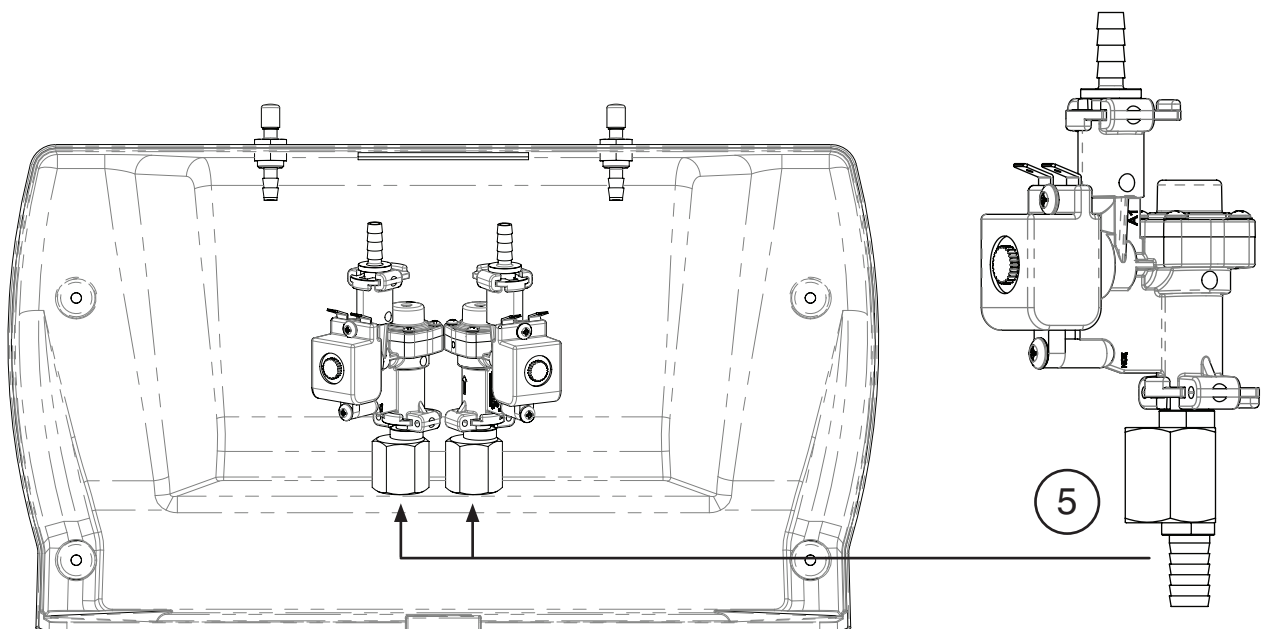
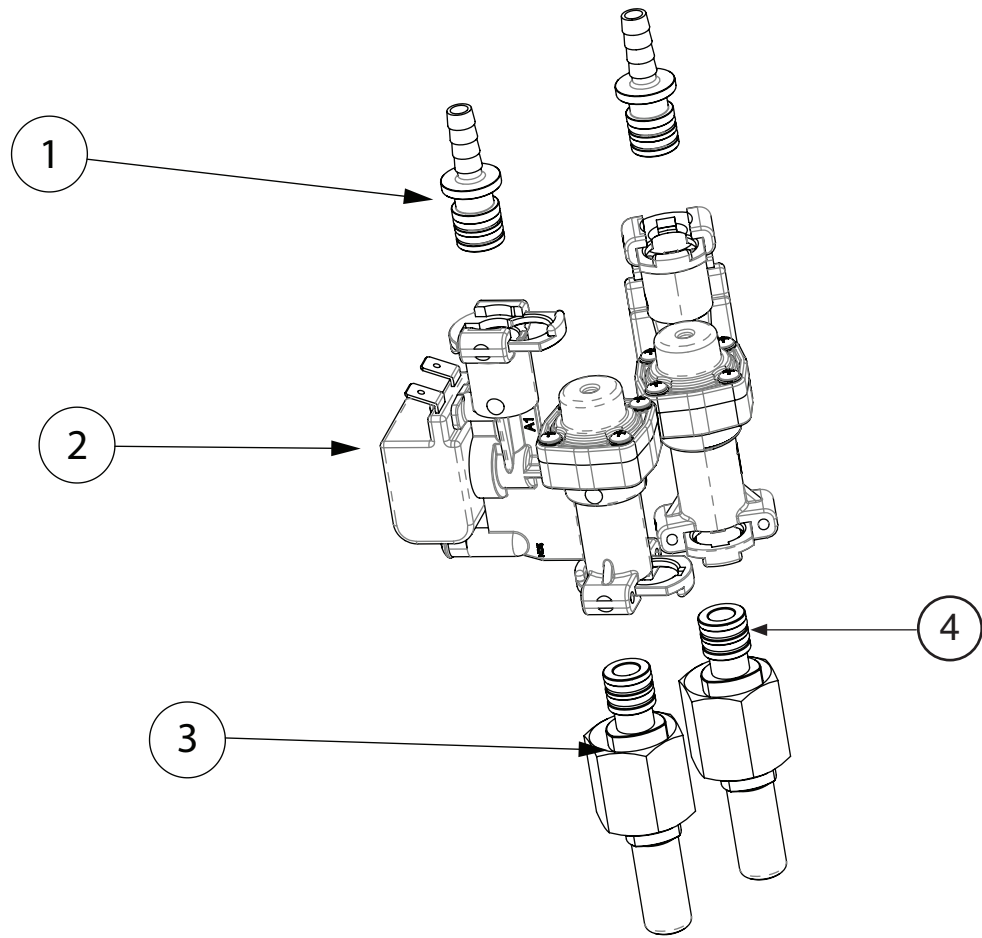
CFV ASSEMBLY - VALVES

| ITEM | QTY | DESCRIPTION | PART NO. | NOTES |
|---|-----|---------------------------------------|----------------------------|---------------------------|
| 1 | 4 | FITTING, CFIVE .25 BARB | 57629.0000 | |
| 2 | 2 | SWITCH, PRESSURE | 44011.0003 | |
| 3 | 8 | O-RING, -012 EP 70 | 24733.0019 | |
| 4 | 2 | FITTING, CFIVE MOUNTING | 56814.0001 | |
| 5 | 3 | CF SOLENOID VALVE, 24VDC CF CFIVE | 57628.0000 | |
| 6 | 2 | FITTING, CFIVE MOUNTING PRESSURE | 56814.0000 | |
| 7 | 2 | ORIFICE, CFIVE .035 WHITE | 57629.0002 | |
| | 2 | ORIFICE, CFIVE .047 BLACK | 57629.0001 | |
| 8 | 2 | CFV CFIVE ASSY, NO ORIFICE ULTRA NX | 57627.0000 | |
| 9 | 2 | CFV CFIVE ASSY, .035 ORIFICE ULTRA NX | 57627.0002 | |
| | 2 | CFV CFIVE ASSY, .047 ORIFICE ULTRA NX | 57627.0001 | |
| THE FOLLOWING PARTS ARE NOT ILLUSTRATED: | | | | |
| 10 | 4 | TUBE,SILICONE-.250ID X 7.25LG | | Order item 11,12 or 13 |
| 11 | - | TUBE,SILICONE-.25ID X 12.0"LG | 11707.1000 | |
| 12 | - | TUBE,SILICONE-.25ID x 36.0"LG | 11707.1001 | |
| 13 | - | TUBE,SILICONE-.25ID X 120.0"LG | 11707.1002 | |
| 14 | 8 | CLAMP, SST-.425/.523 DIA13.3 | 21275.0001 | |
| | | | | |



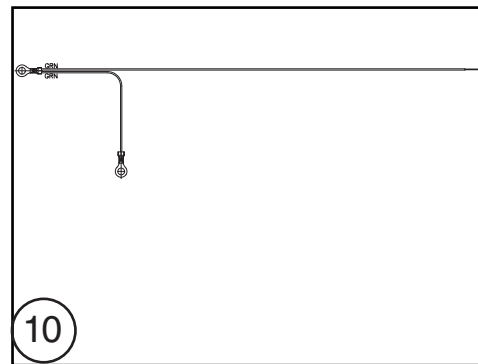
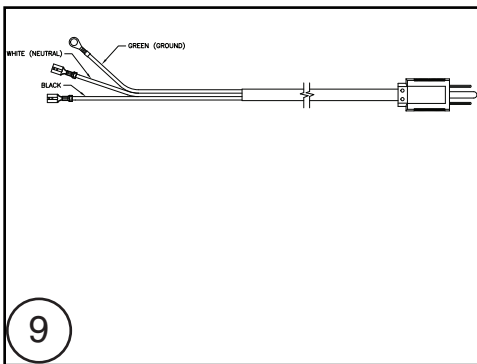
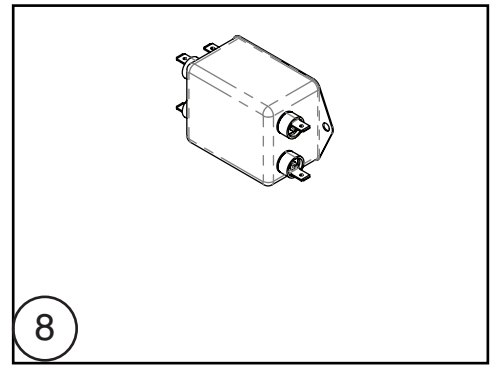
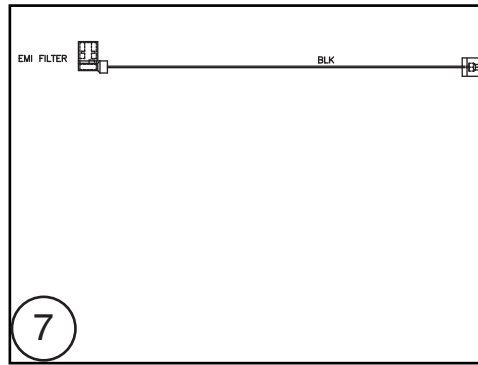
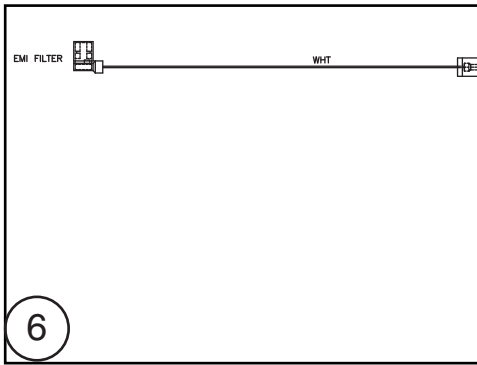
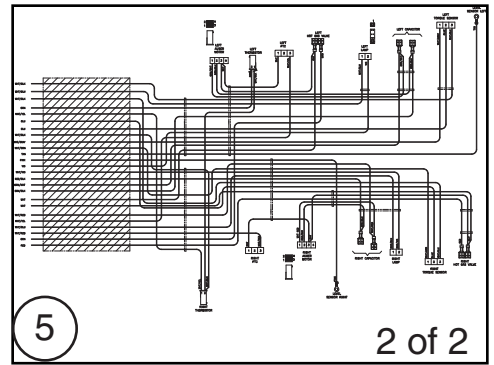
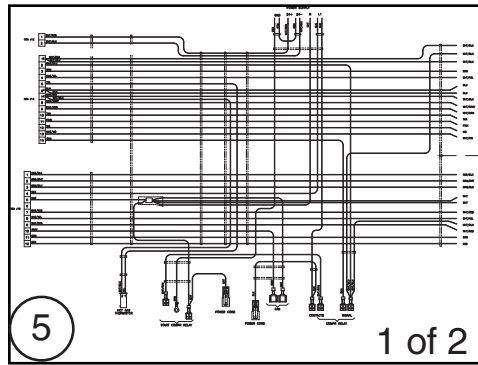
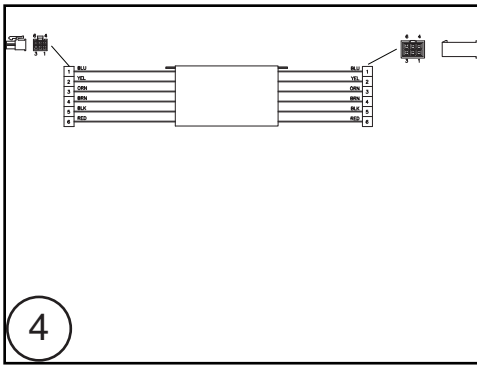
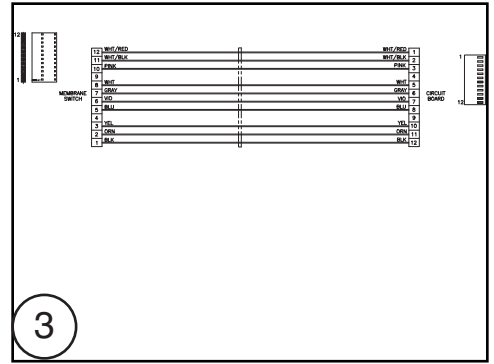
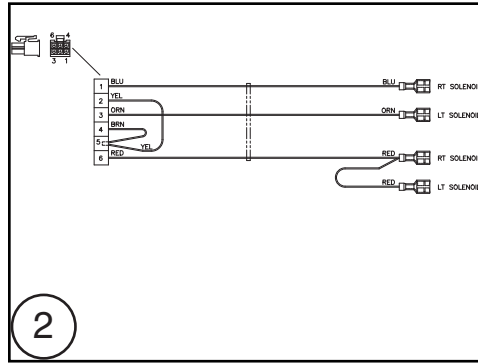
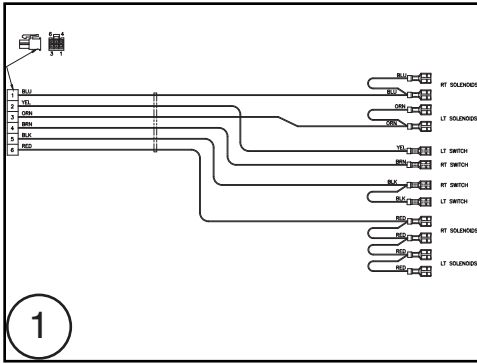
LAF PLATFORM ASSEMBLY - HOUSING

| ITEM | QTY | DESCRIPTION | PART NO. | NOTES |
|------|-----|-----------------------------------|------------|-------|
| 1 | 1 | MOTOR COVER, LAF BLK | 58045.1005 | |
| 2 | 2 | FITTING, .250 BARB BULKHEAD-KYNAR | 43121.0000 | |
| 3 | 2 | KIT, PROBE ASSY ULTRA NX CF/LAF | 58303.0000 | |



LAF ASSEMBLY - VALVES

| ITEM | QTY | DESCRIPTION | PART NO. | NOTES |
|---|-----|---|----------------------------|----------------------|
| 1 | 2 | FITTING, CFIVE .25 BARB | 57629.0000 | |
| 2 | 2 | SOLENOID VALVE, 24VDC CFIVE | 57628.0001 | |
| 3 | 2 | FITTING, CFIVE MOUNTING | 56814.0001 | |
| 4 | 4 | O-RING, -012 EP 70 | 24733.0019 | |
| 5 | 2 | LAF CFIVE ASSY, SOLENOID VALVE ULTRA NX | 57627.0003 | |
| | | | | |
| THE FOLLOWING PARTS ARE NOT ILLUSTRATED: | | | | |
| 6 | 2 | TUBE,SILICONE-.250ID X 7.25LG | | Order item 7, 8 or 9 |
| 7 | - | TUBE,SILICONE-.25ID X 12.0"LG | 11707.1000 | |
| 8 | - | TUBE,SILICONE-.25ID x 36.0"LG | 11707.1001 | |
| 9 | - | TUBE,SILICONE-.25ID X 120.0"LG | 11707.1002 | |
| 10 | 4 | CLAMP, SST-.425/.523 DIA13.3 | 21275.0001 | |



POWER CORDS & WIRING HARNESSSES

| ITEM | QTY | DESCRIPTION | PART NO. | NOTES |
|------|-----|---|------------|--|
| 1 | 1 | WIRE HARNESS, MOTOR COVER ASSY CFV 120V & 220-240V BASE | 43841.0002 | Used in: NX Base/CFV |
| 2 | 1 | WIRE HARNESS, MOTOR COVER ASSY LAF 120V & 220-240V BASE | 43841.0003 | Used in: NX Base/LAF |
| 3 | 1 | WIRING HARNESS,INTFC 120V & 220-240V BASE | 32163.0000 | Used in: NX Base Standard, CFV & LAF |
| 4 | 1 | WIRE HARNESS, CFV/LAF 120V & 220-240V BASE | 37962.0004 | Used in: NX Base CFV & LAF |
| 5 | 1 | WIRING HARNESS, MAIN 120V & 220-240V BASE | 32263.0008 | Used in: NX Base Standard, CFV & LAF |
| 6 | 1 | JUMPER,PWR CORD/EMI FLTR(WHT) | 40432.0000 | Used in: 220-240V LAF UK Base |
| 7 | 1 | JUMPER,PWR CORD/EMI FLTR(BLK) | 40432.0001 | Used in: 220-240V LAF UK Base |
| 8 | 1 | FILTER, EMI 10A 250VAC FASTON | 29446.0006 | Used in: Used in: Standard, CFV & LAF 220-240V Bases |
| 9 | | POWER CORD ASSY, 16/3HSJO-15P 84 | 20630.0009 | Used in: 120V Bases |
| 10 | 1 | WIRING HARNESS, GROUND ULTRA NX | 58359.0000 | Used in: 230V Bases |

