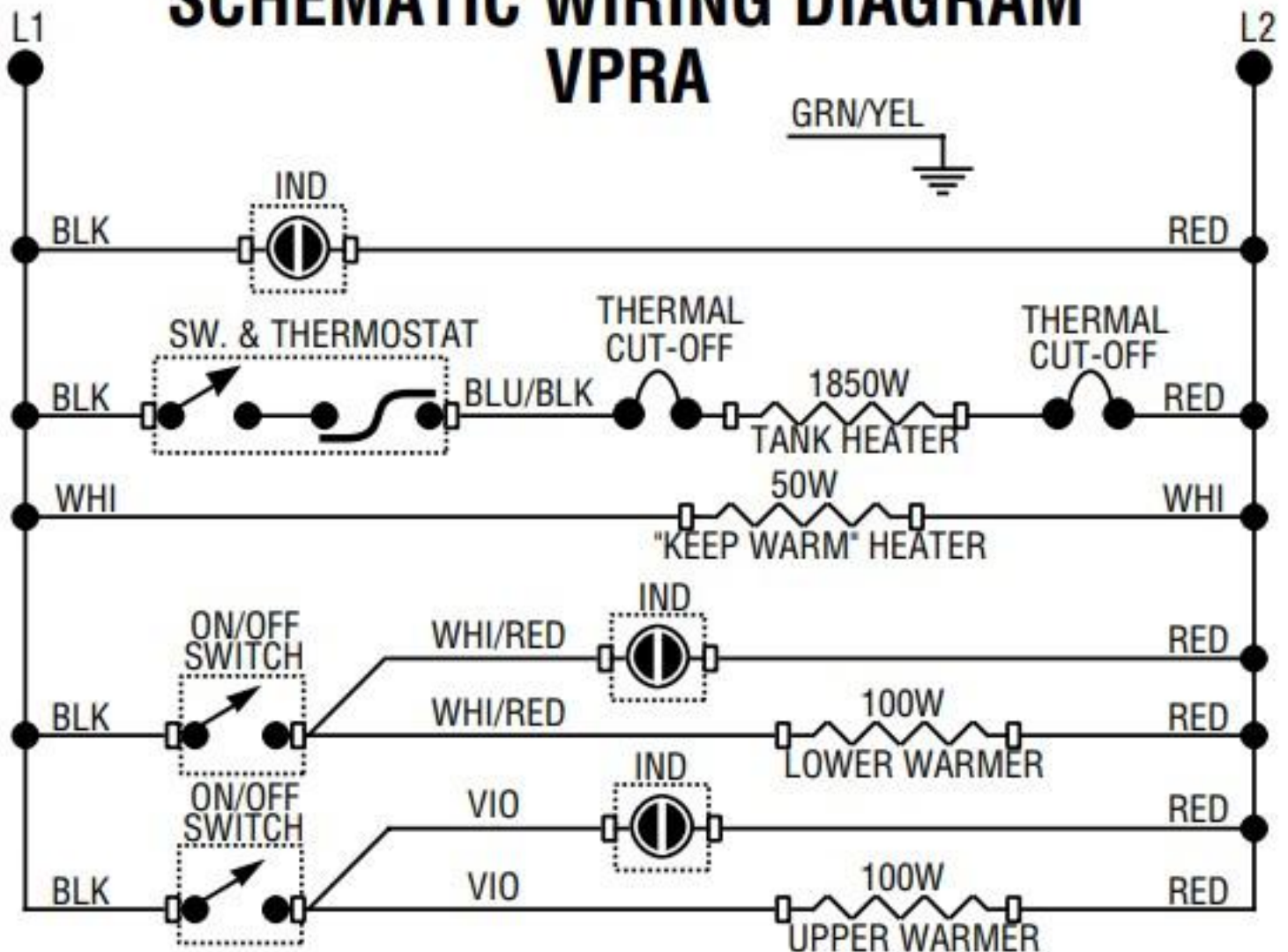
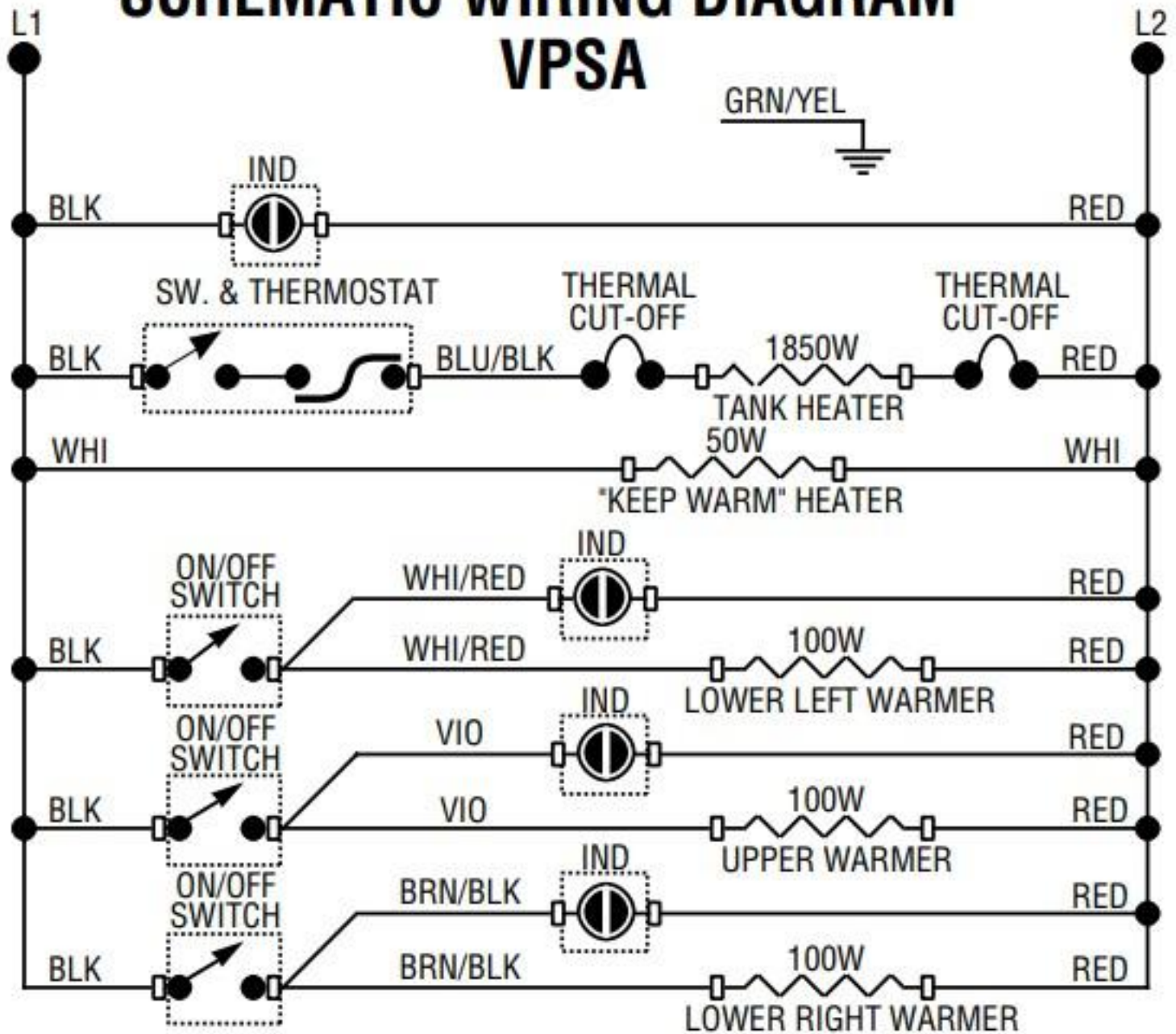


# SCHEMATIC WIRING DIAGRAM VPRA



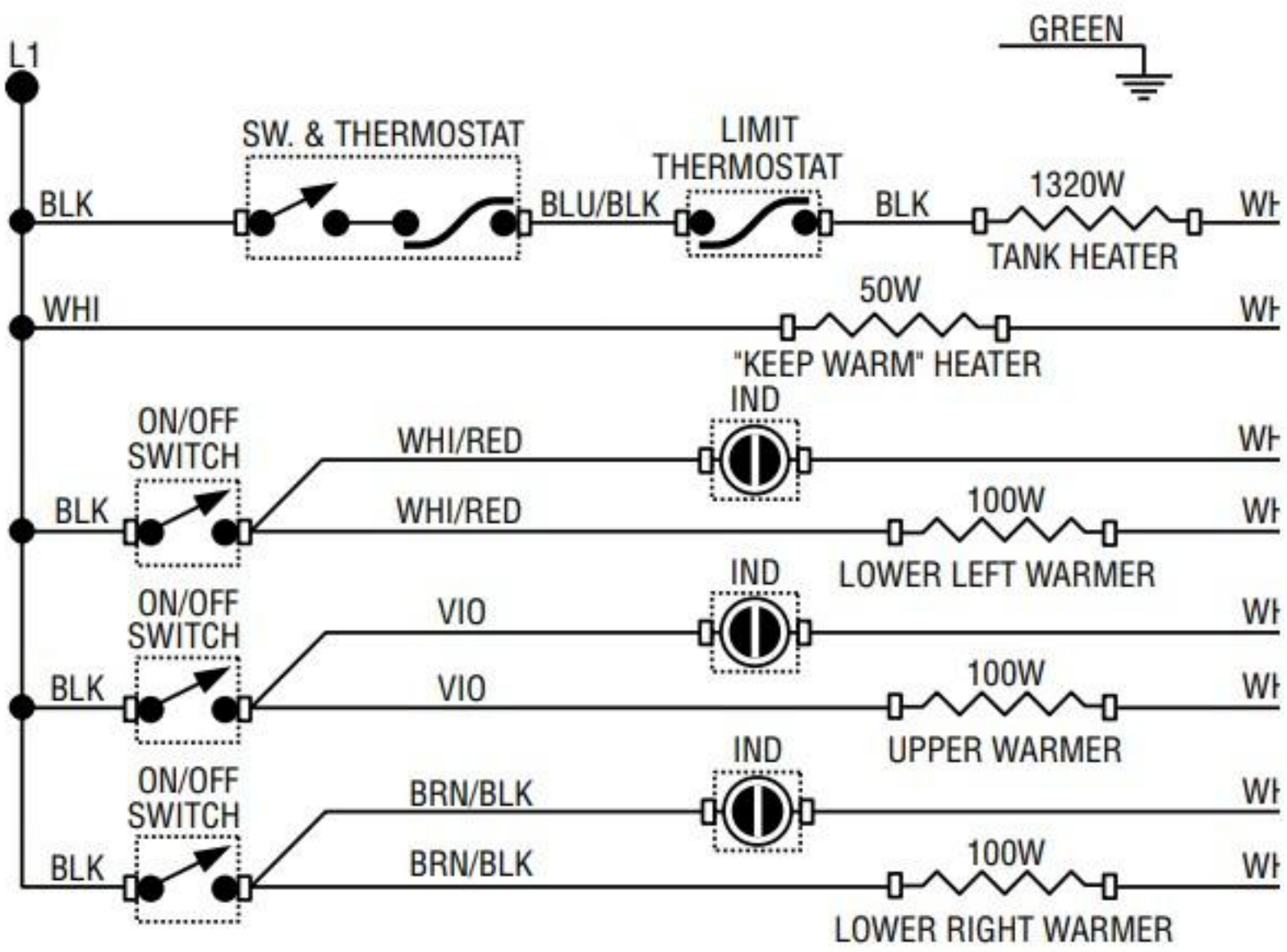
220 VOLTS A C  
2 WIRE  
SINGLE PHASE

# SCHEMATIC WIRING DIAGRAM VPSA



**220 VOLTS A C  
2 WIRE  
SINGLE PHASE**



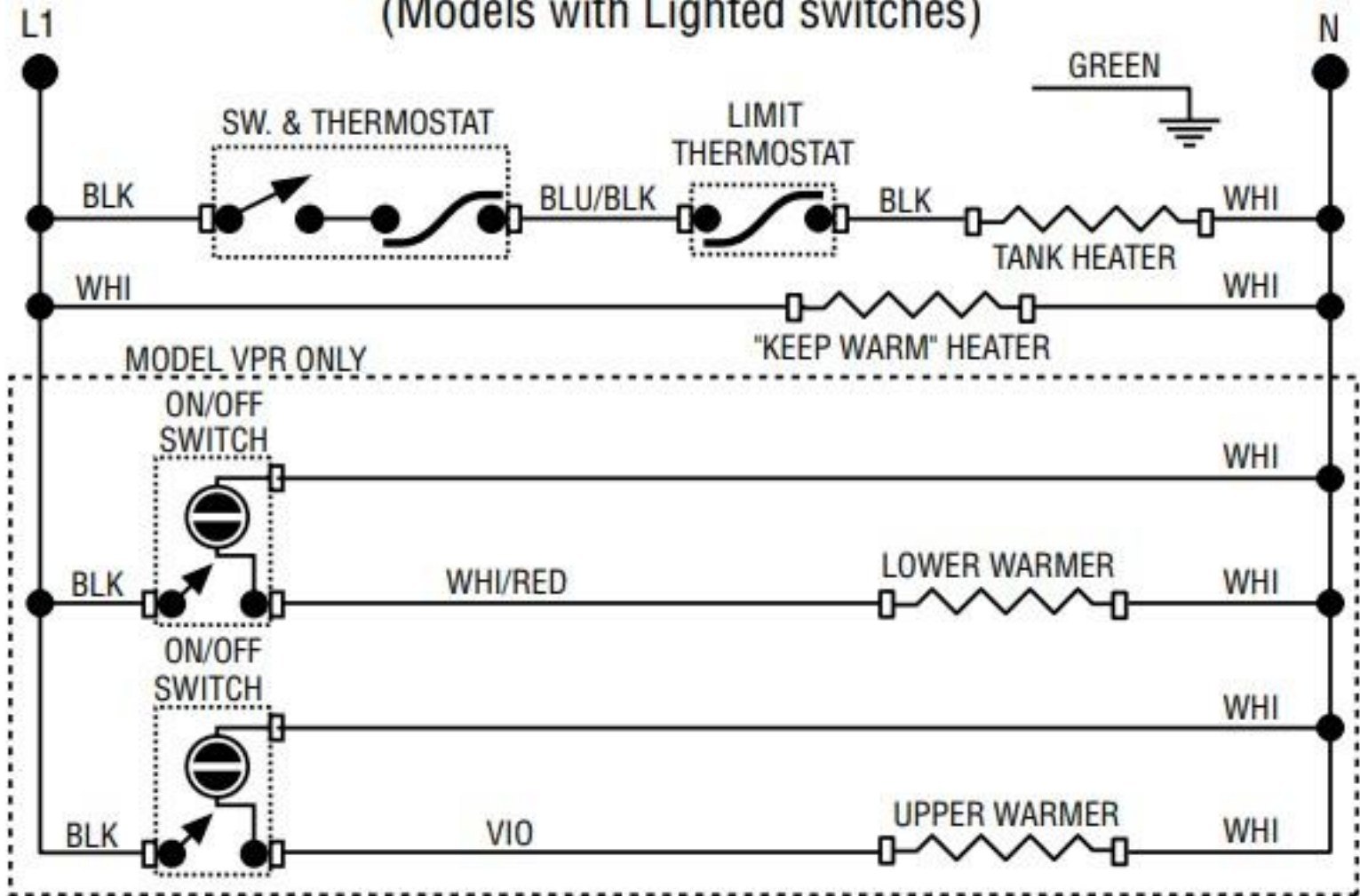


**120 VOLTS A C  
2 WIRE  
SINGLE PHASE  
60 HZ**

# SCHEMATIC WIRING DIAGRAM

## VPR, VPR TC & VPR APS

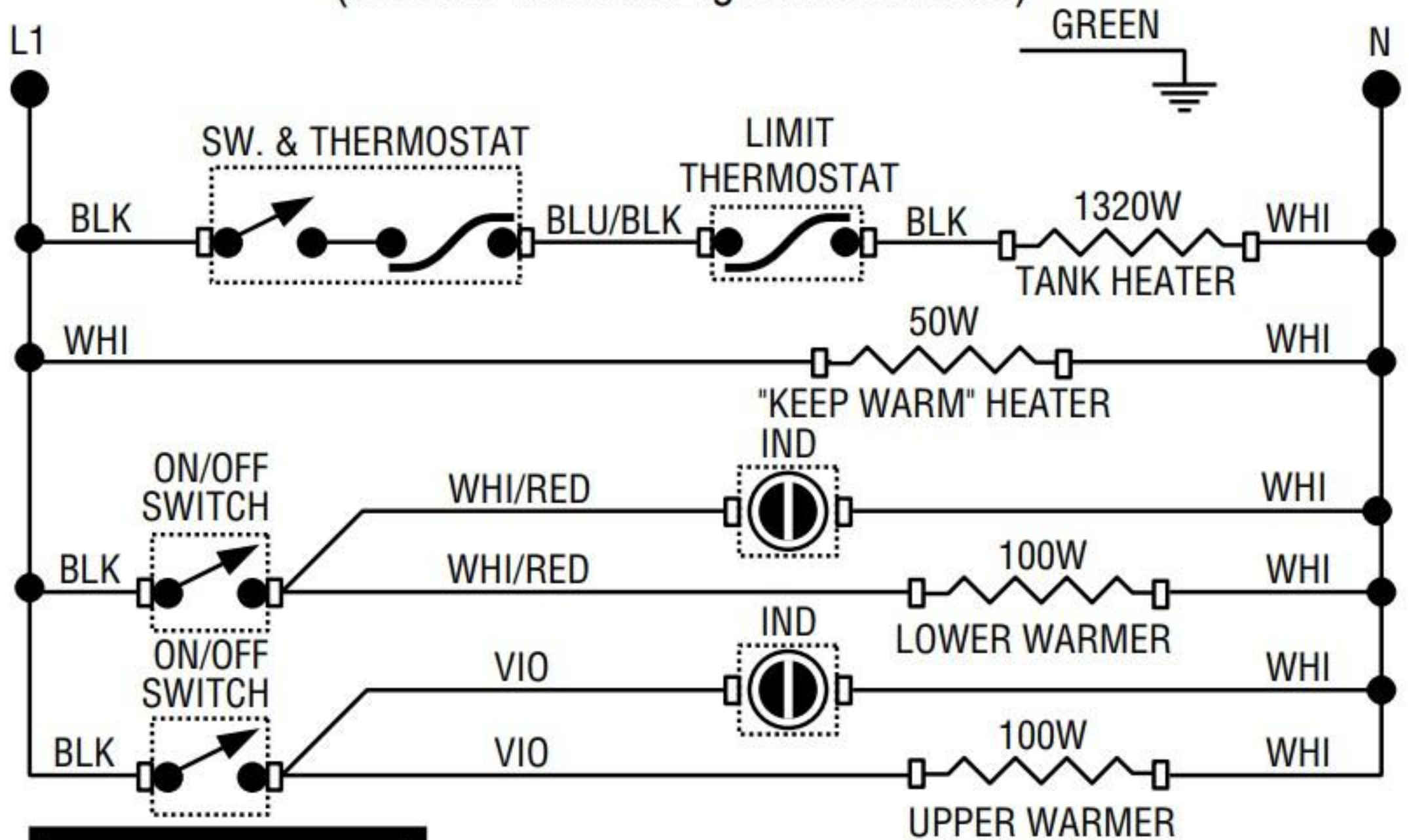
(Models with Lighted switches)



**120 VOLTS A C**  
**2 WIRE + GND**  
**SINGLE PHASE**  
**60 HZ**

# SCHEMATIC WIRING DIAGRAM VPR

(Models without Lighted switches)



**120 VOLTS A C**  
**2 WIRE**  
**SINGLE PHASE**  
**60 HZ**

10050.0000D 1/97 © 1988 BUNN-O-MATIC CORPORATION