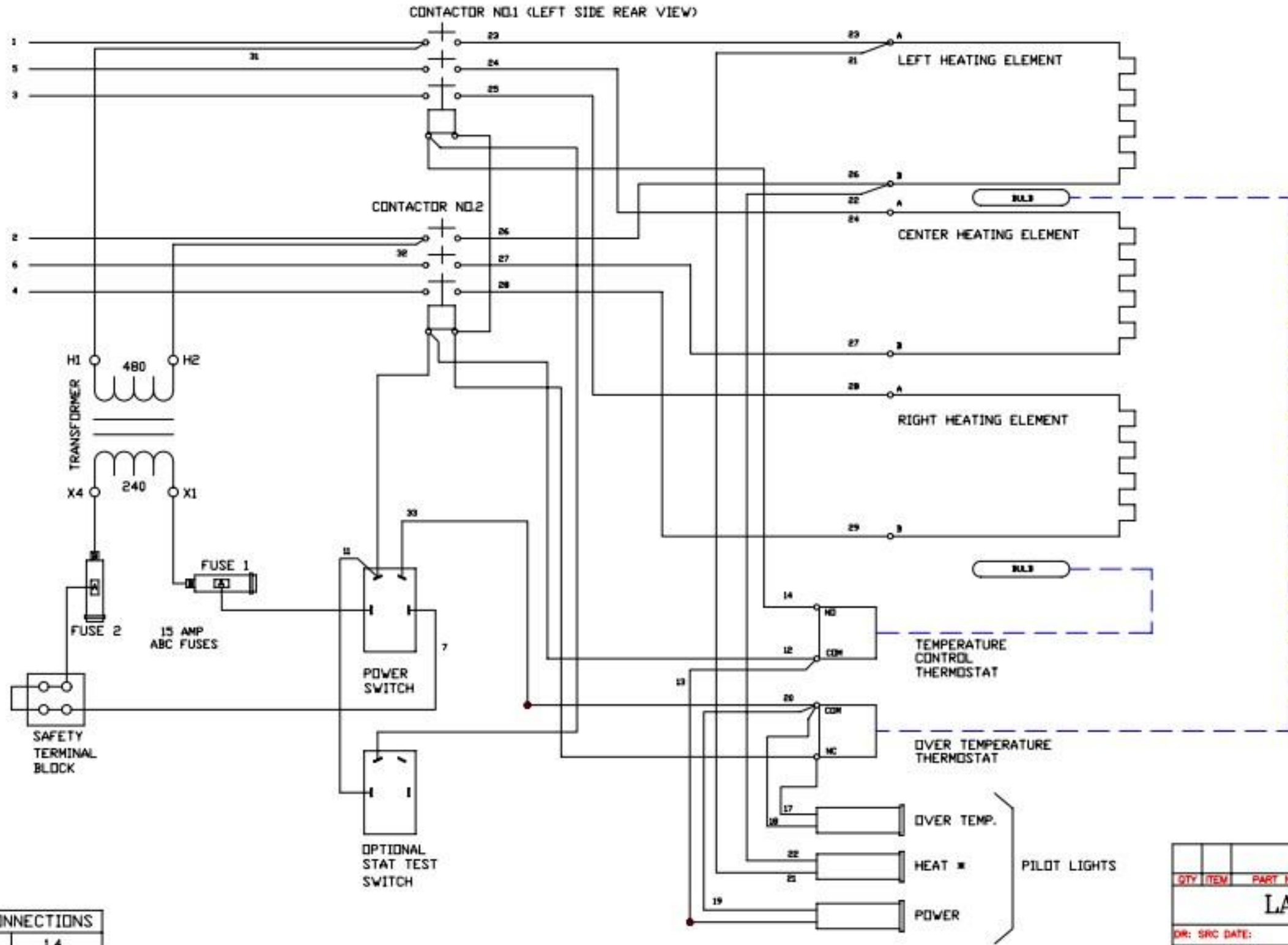


SERVICE CONNECTIONS		
THREE PHASE	L1	1,4
	L2	2,5
	L3	3,6
SINGLE PHASE	L1	1,3,5
	L2	2,4,6

REVISION BLOCK						
REV	ECN NO.	DESCRIPTION	DR:	MFG	ENG	DATE



SERVICE CONNECTIONS		
THREE PHASE	L1	1,4
	L2	2,5
	L3	3,6
SINGLE PHASE	L1	1,3,5
	L2	2,4,6

* 480 VOLT COMPONENT

QTY	ITEM	PART NUMBER	DESCRIPTION / MATERIAL
LANG MANUFACTURING			
DR: SRC DATE:	DATE:	TITLE: C28 FRYER	
TOLERANCES		480 VAC	
<small>FRACTIONS DECIMALS ± 1/64 .001 ± .005 ANGLES .001 ± .015 ± .5° .001 ± .015</small>		NEXT HIGHER ASSY.	SHEET
SCALE: NTS	1 OF 1	DRAWING NUMBER	REV
		61116-02	C