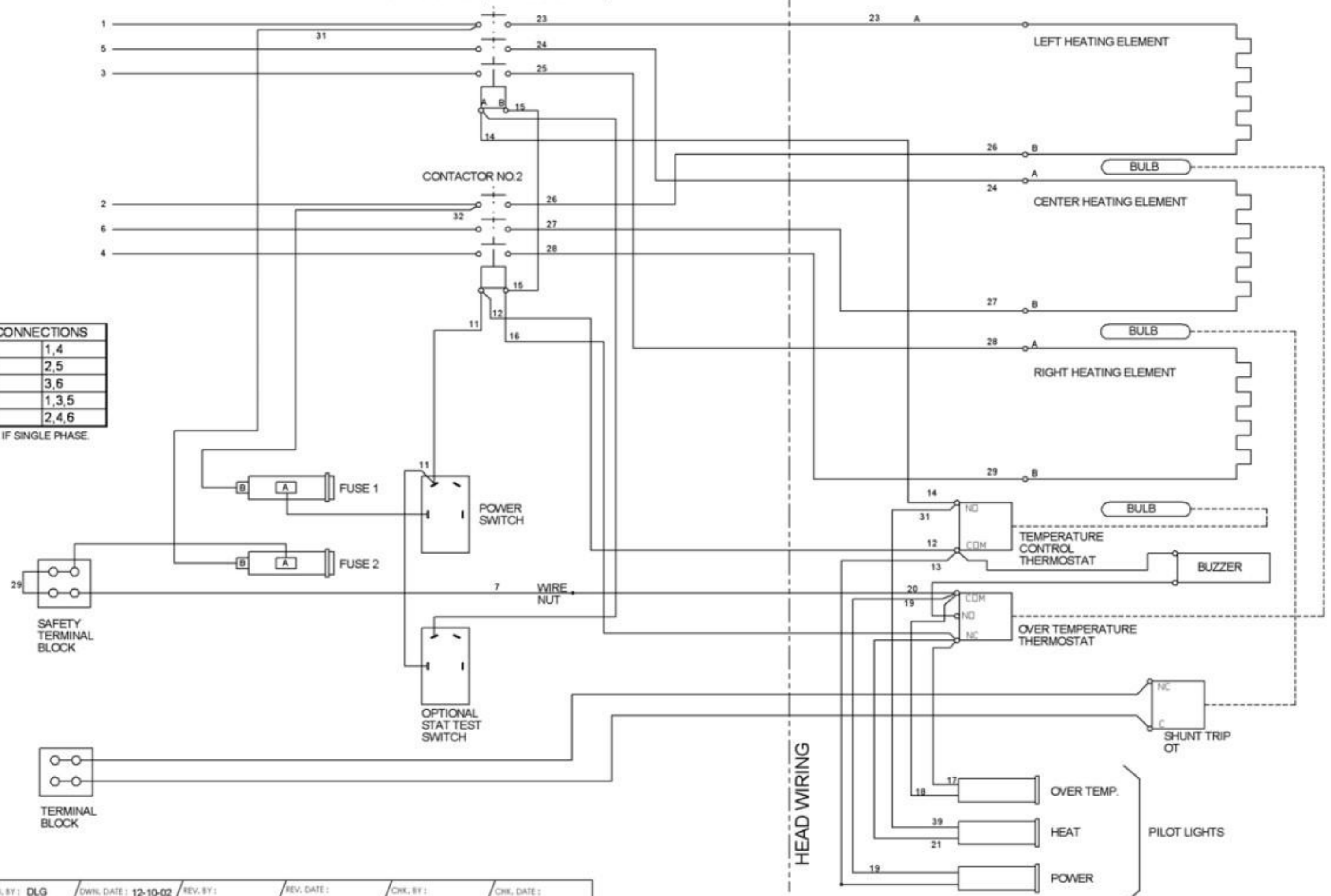


CONTACTOR NO.1 (LEFT SIDE REAR VIEW)



SERVICE CONNECTIONS		
THREE PHASE	L1	1,4
	L2	2,5
	L3	3,6
SINGLE PHASE	L1	1,3,5
	L2	2,4,6

CALL FACTORY IF SINGLE PHASE.

CLS ONLY