

SET UP GUIDE AND USER MANUAL

SOAK AND BRINE TANK

IBSD37

Capacity: 37 Gallon (140 L)

Bin Colors: White (148), Yellow (229)

Unit ships complete with 18" (45,7 cm)* long clear drain hose made of FDA approved PVC material. Can be used with or without hose based on access to floor drain.

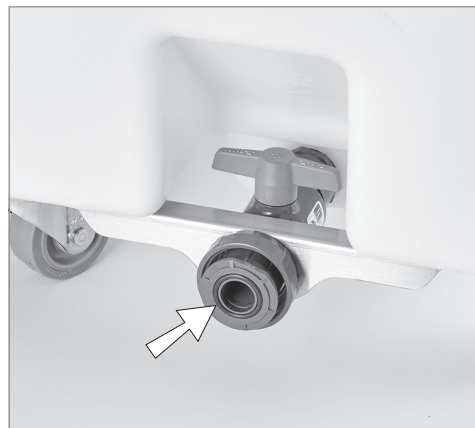
* Available hose length when attached to the drain elbow is 16½" (42 cm).



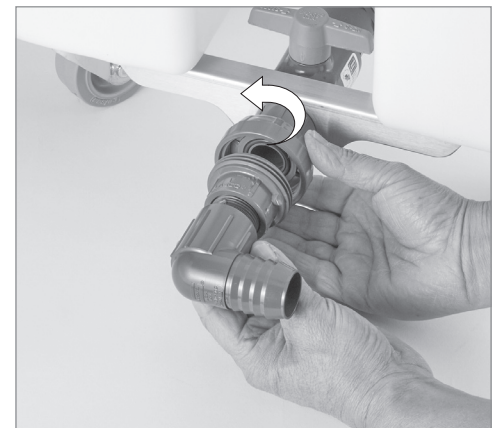
Set Up Guide and Usage Instructions



1. Remove the tank from the carton and locate the drain elbow hose assembly.



2. Verify the presence of the black O-ring on the plumbing union.



3. Attach the drain elbow hose assembly by engaging the threaded ring and rotating it counterclockwise until tight.

4. To re-position the drain elbow, loosen the threaded ring slightly, turn drain elbow to the desired position, then tighten to keep it in place.



CAMBRO
TRUSTED FOR GENERATIONS™

www.cambro.com



5. Before filling tank, ensure blue valve handle is in the closed position and drain elbow is facing up.



Valve handle shown in closed position.



6. Fill tank. **Caution: Do not fill to the rim with liquid or contents may spill during transport.**



7. To drain directly over a floor drain, remove drain hose, loosen plumbing union and twist drain elbow to face down over the floor drain and re-tighten the plumbing union. Do not allow any of the casters to drop into the floor drain, as this could cause damage to the drain components. Slowly turn blue valve handle counterclockwise to the open position to begin draining liquid. Continue to turn valve until liquid is draining at an acceptable rate.



8. If the tank cannot be placed over a floor drain, position the drain elbow with hose attached so the drain hose reaches the floor drain. Slowly turn valve counterclockwise to the open position to begin draining liquid. Continue to turn valve until liquid is draining at an acceptable rate.



9. After draining the contents of the tank, fully close the valve and return the drain elbow to a vertical position or remove and follow recommended cleaning directions on page 4.

Caution: When the valve is fully open, liquid will drain at an extremely rapid rate (37 gallons in approximately 4 minutes) and could cause the floor drain to overflow.

How to Replace the Drain Valve Assembly

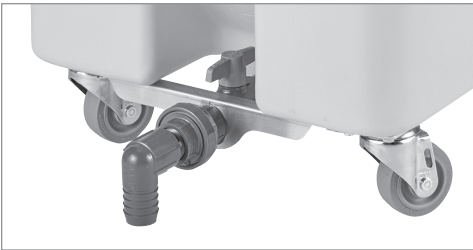


1. Remove hex nut from inside the bin. Requires 1 $\frac{3}{4}$ " (4,5 cm) wrench or large pliers.

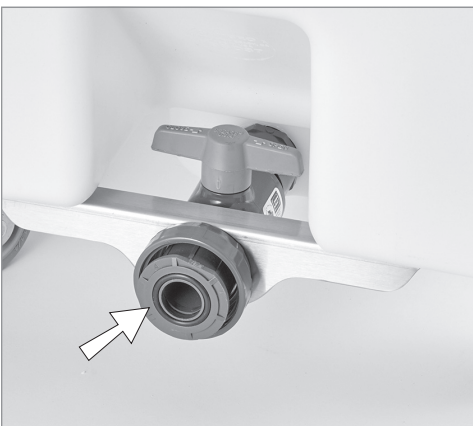
Note: Remove plastic hex nut when replacing drain valve assembly on tanks made prior to 3/1/2019.



Tank made prior to 3/1/2019.



Tank made after 3/1/2019.



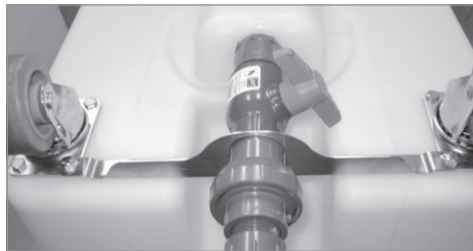
6. Ensure the black O-ring is in the open plumbing union before completing the next step.



2. Remove hex bolts and washers from front mounting support bracket. Use $\frac{7}{16}$ " (1,1 cm) wrench or socket wrench.

3. Place new drain valve assembly kit onto the tank.

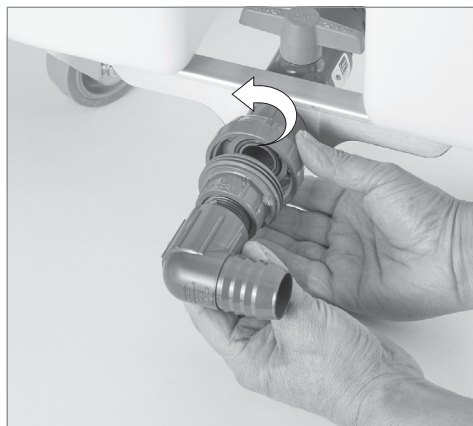
Note: For tanks made prior to 3/1/2019, install the drain valve assembly with the blue handle facing down, as shown in the image here.



4. Install washers then hex bolts onto front mounting support bracket.

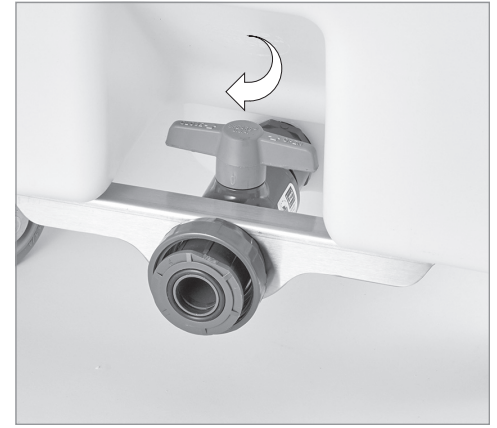
5. Install stainless steel hex nut inside the bin. Tighten snug but do not over-tighten.

Note: For tanks made prior to 3/1/19, install the plastic hex nut inside the bin.



7. Secure drain elbow with plumbing union on the tank.

8. Tighten counterclockwise to secure into place.



Ensure valve handle is turned in the closed position.



9. During non-use, loosen the plumbing union, position drain elbow assembly in a vertical position. Place the hose end under the front rim of the tank.

Cleaning Instructions

1. Clean with hot water, mild commercial detergent and soft cloth, soft bristle brush or sponge.
2. Sanitizing solutions are recommended. Use an odor removing soak or sanitizer to remove scents and stains as needed, such as a diluted solution of 2-3 tablespoons of baking soda per gallon of hot tap water, or 1 part lemon juice or vinegar to 4 parts hot water.
3. Rinse and drain with clean, hot water.
4. Use cleaners and degreasers designated for plastic materials only.
5. **DO NOT** use cleaners or detergents containing ammonia or bleach.
6. **DO NOT** use steel wool, abrasive scrub pads or brushes.
7. Wipe off any remaining soap and dirt with a clean cloth. Allow to air dry or use a clean cloth to wipe dry.

Caster Maintenance

- Grease swivel raceway of caster using a lubricant such as Lubriplate No. 930-AA, Keystone #84EPXLT multi-purpose grease or the equivalent. Moving O-ring or seal with finger, apply grease using a grease gun with a needle nose adapter or a tube-type applicator such as "Sta-lube" Moly-graph Assembly Lube. These can be obtained at most auto parts stores.
- Use a light oil such as WD-40 on the nylon bushing at the hub. Check caster for any damage and test caster spin and swivel rotation before returning to service.

Warranty

Cambro warrants to the original buyer that if a product proves defective:

- Within 1 year from the date of manufacture, Cambro will replace the product free of charge; or,
- After 1 year and up to 2 years from the date of manufacture, Cambro will grant a credit of 2/3 off replacement product; or,
- After 2 years and up to 3 years from the date of manufacture, Cambro will grant a credit of 1/3 of the original price towards a replacement product.
- Improper product use, product abuse or failure to follow the care and usage instructions noted in this manual voids the above warranty.

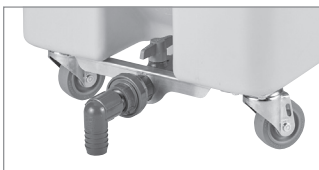
Replacement Parts

1. Rear 3" (7,6 cm) Fixed Caster Kit (60009)
2. Front 3" (7,6 cm) Swivel Caster Kit (60005)
3. Drain Valve Assembly* (H19005)
4. Drain Plumbing Union O-ring – pack of 6 (H19011)
5. Drain Elbow Hose Assembly (H19006)
6. Clear Back Lid (60272)
7. Clear Front Slider Lid (60273)

***NOTE:** For tanks made prior to 3/1/2019, use the plastic hex nut included in Drain Valve Assembly replacement part kit.
For tanks made after 3/1/2019, use stainless steel hex nut included in kit.



Tank made prior to 3/1/2019.



Tank made after 3/1/2019.

