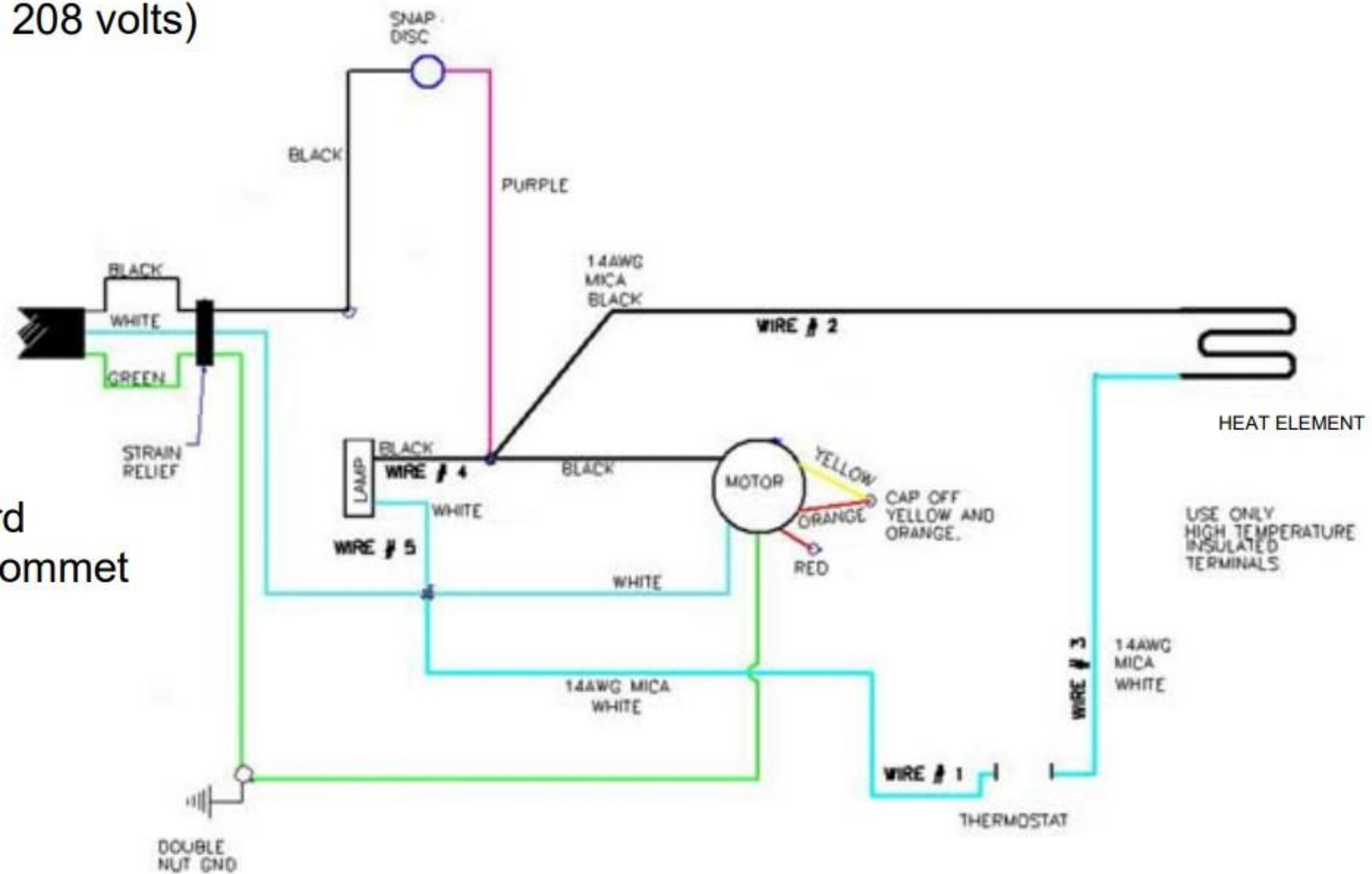


208 volts)

rd
ommet



USE ONLY
HIGH TEMPERATURE
INSULATED
TERMINALS

net

