

**TACO BELL HOLDING CABINET
MODEL: TB-916
OWNER / OPERATOR'S MANUAL**

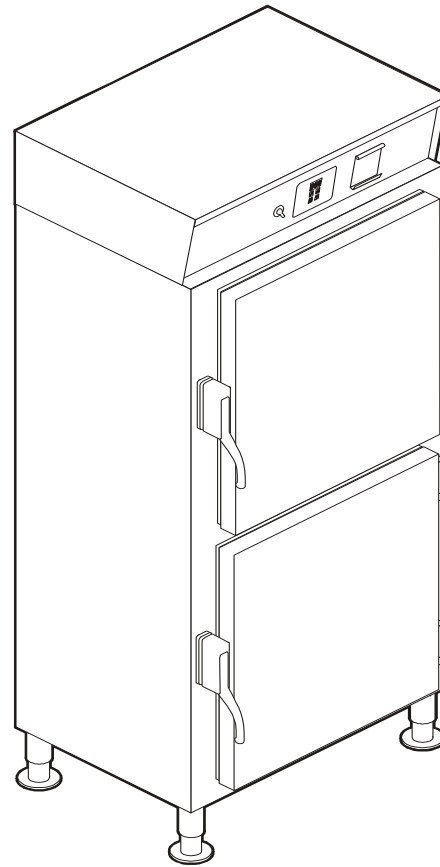


TABLE OF CONTENTS

Warranty, warranty exclusions and limitations.....2
Shipping Damage and Claim Procedure.....2
Introduction.....3
Owner Information.....3
Specifications4
Operating Features and Controls5
Precautions and General Information6
Agency Listing Information6
Installation7
Operation8
Cleaning9
Troubleshooting Suggestions10
Programming Instructions11
Wiring Diagram12
Replacement Parts List.....13
Contact Information.....14



CARTER-HOFFMANN
A Division of Carrier Commercial Refrigeration
1551 McCORMICK AVENUE
MUNDELEIN, IL 60060 U.S.A.
PHONE: 847-362-5500
FAX: 847-367-8981
EMERGENCY SERVICE: 800-421-3744
EMAIL: SERVICE@CARTERHOFFMANN.COM

CARTER-HOFFMANN WARRANTY

Carter-Hoffmann warrants to the initial purchaser of its standard Carter Line Products that Carter-Hoffmann will, at its option, repair or replace, during the warranty period set forth below, any part of such products made necessary due to a defect in material or workmanship which is present when the product leaves its factory and which manifests itself during the warranty period under normal use and service.

This warranty applies only to original equipment owned and possessed by the initial purchaser and the warranty period begins on the date of original shipment from the Carter-Hoffmann factory and extends as follows: to electrical and refrigeration components for one year; to electrical and refrigeration labor for 120 days; to refrigeration compressor unit for 1 year (limited to replacement of the unit only-not to include the labor for removal, repair or replacement),

and to all other component parts and labor for 12 months. Repair or replacement under this warranty will be performed, unless otherwise authorized in writing by Carter-Hoffmann, at its factory. All parts or components to be repaired or replaced under this warranty are to be shipped prepaid to Carter-Hoffmann, with reimbursement credit for such part or component to be given if found by Carter-Hoffmann to be defective.

Carter-Hoffmann neither makes nor assumes and does not authorize any other person to make or assume any obligation or liability in connection with its products other than that covered in this warranty. This warranty applies only within the continental United States and Canada. In Alaska and Hawaii, this warranty applies only to and is limited to the supply of replacement parts.

WARRANTY EXCLUSIONS AND LIMITATIONS

ANY IMPLIED WARRANTY OF MERCHANTABILITY OR FITNESS FOR A PARTICULAR PURPOSE IS HEREBY SPECIFICALLY DISCLAIMED BY CARTER-HOFFMANN. There are no warranties, express or implied, which extend beyond the description on the face thereof.

This warranty does not cover and Carter-Hoffmann shall not under any circumstances be liable for any incidental,

consequential or other damages (such as injury to persons or property, loss of time, inconvenience, loss of use, loss of business or profits, or other matters not specifically covered) arising in connection with the use of, inability to use, or failure of these products.

Note: Due to our continuous process of product improvement and innovation, all listed specifications are subject to change.

SHIPPING DAMAGE CLAIM PROCEDURE

NOTE: For your protection, please note that equipment in this shipment was carefully inspected and packaged by skilled personnel before leaving the factory. Upon acceptance of this shipment, the transportation company assumes full responsibility for its safe delivery.

IF SHIPMENT ARRIVES DAMAGED:

1. **VISIBLE LOSS OR DAMAGE:** Be certain that any visible loss or damage is noted on the freight bill or express receipt, and that the note of loss or damage is signed by the delivery person.
2. **FILE CLAIM FOR DAMAGE IMMEDIATELY:** Regardless of the extent of the damage.

3. **CONCEALED LOSS OR DAMAGE:** if damage is unnoticed until the merchandise is unpacked, notify the transportation company or carrier immediately, and file "CONCEALED DAMAGE" claim with them. This should be done within fifteen (15) days from the date the delivery was made to you. Be sure to retain the container for inspection.

Carter-Hoffmann cannot assume liability for damage or loss incurred in transit. We will, however, at your request, supply you with the necessary documents to support your claim.

INTRODUCTION

Thank You for purchasing this Carter-Hoffmann appliance. Proper installation, professional operation and consistent maintenance of this appliance will ensure that it gives you the very best performance together with a reliable, long lasting and economical life. This manual contains information needed to properly install, operate and maintain this appliance

This product is the result of extensive research and field testing. The materials used were selected provides optimum performance, maximum durability and an attractive appearance. At Carter-Hoffmann, every single unit is thoroughly inspected and functionally tested prior to shipment.

This Carter-Hoffmann holding cabinet provides the best environment for food products by digitally regulating the air temperature. This model uses only hot air (no moisture) which is circulated through heating distribution ducts located on panels at each side of the unit.



DANGER

This manual provides the installation, safety and operating instructions for your cabinet. We recommend all installation, operating and safety instructions appearing in this manual be read prior to installation or operation of your unit.



CAUTION

Safety instructions that appear in this manual after a warning symbol and the words **WARNING** or **CAUTION** printed in boldface are very important.

WARNING means there is the possibility of serious injury or death to yourself or others.

CAUTION means there is the possibility of minor or moderate injury.

CAUTION without the symbol signifies the possibility of equipment or property damage only.



WARNING

IMPORTANT OWNER INFORMATION

Please take the time to record the model number and serial number, the identification decal is normally located on the lower right hand side of the unit. Also be sure to record your voltage and purchase date of your piece of Carter-Hoffmann equipment in the spaces below.

It is extremely helpful to have this information available when calling Carter-Hoffmann for service or assistance.

Cabinet Model #: _____

Cabinet Serial #: _____

Heater Head Model #: _____

Heater Head Serial #: _____

Voltage: _____

Wattage: _____

Phase: _____

Date of Installation: _____

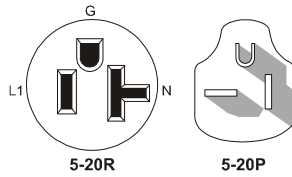
Invoice / Sales Order #: _____

SPECIFICATIONS

ELECTRICAL:

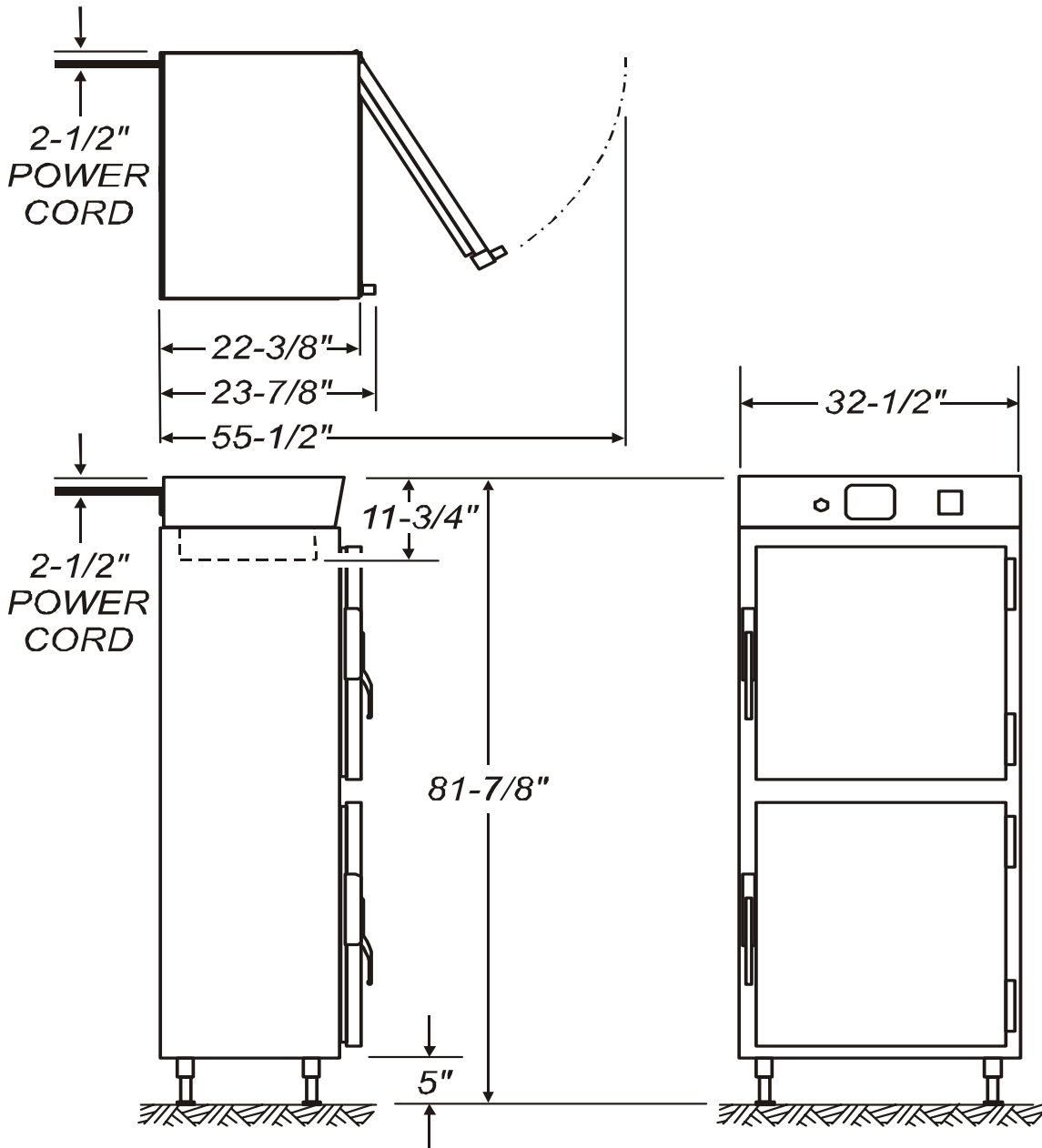
120 Volts AC
60 Hz
Single Phase
2000 Watts
16.7 Amps

PLUG:

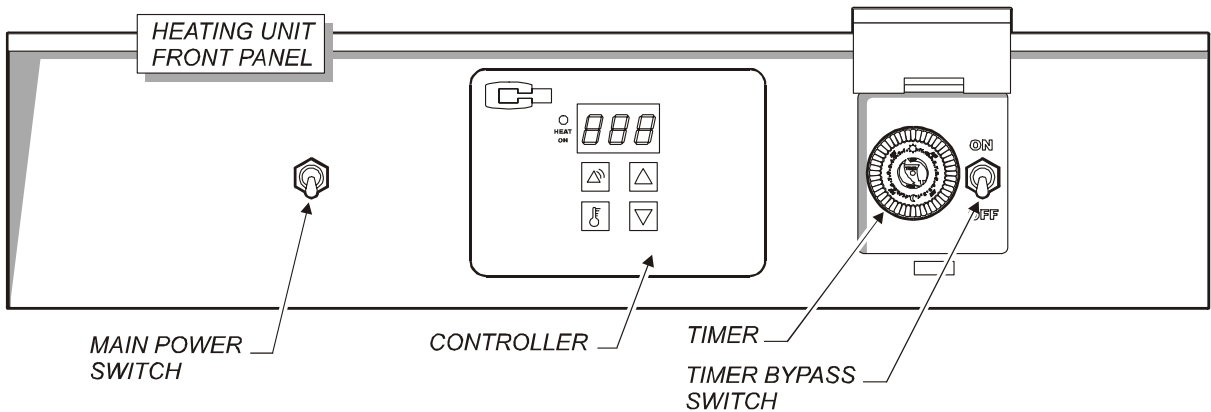
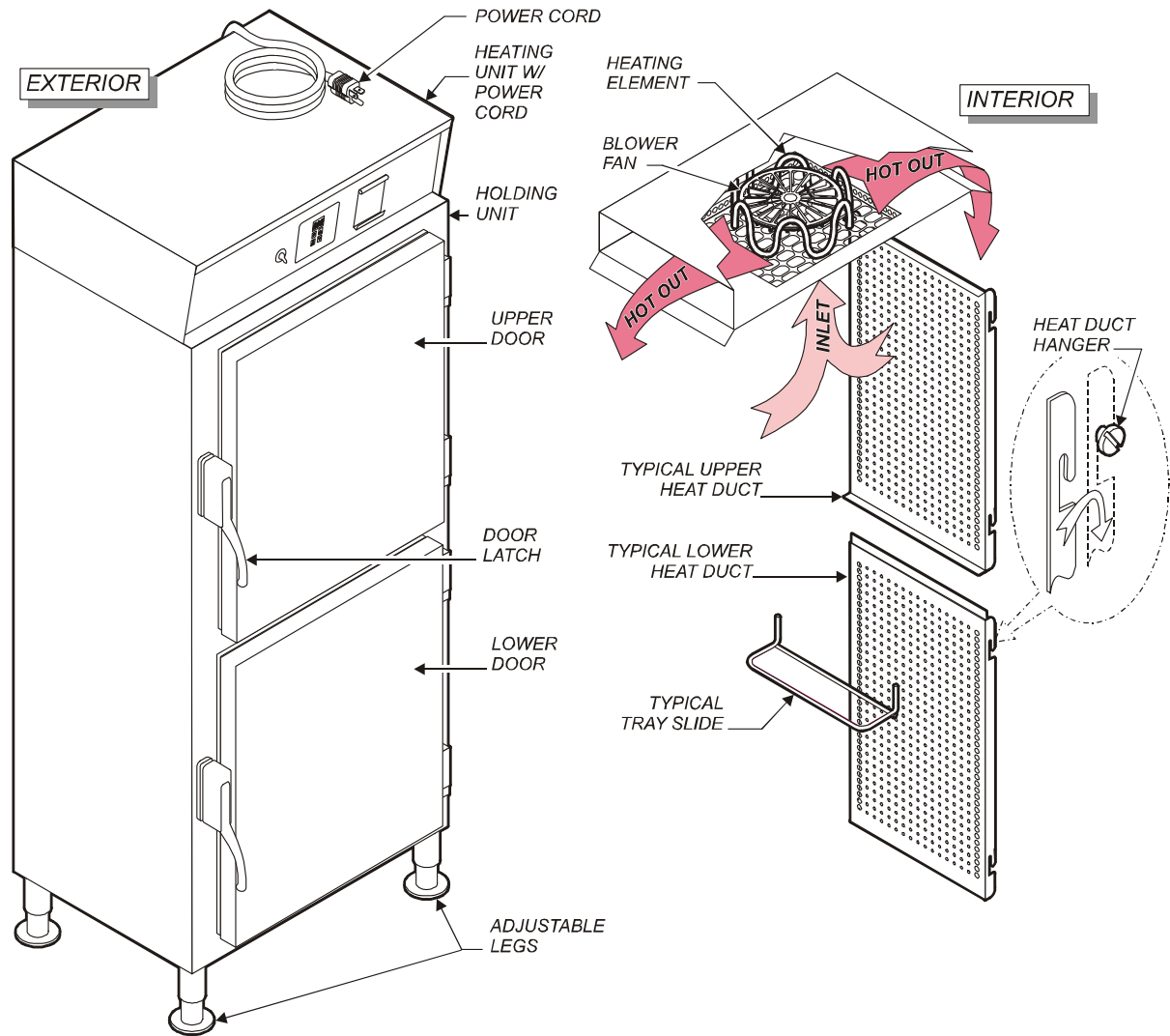


WEIGHT:

Empty cabinet shipping weight
is approximately # 450 lbs



FEATURES and OPERATING CONTROLS



PRECAUTIONS and GENERAL INFORMATION



WARNING: Electric Shock Hazard

All servicing requiring access to non-insulated components must be performed by qualified service personnel. Do not open any access panels which require the use of tools. Failure to heed this warning can result in electrical shock. Disconnect this appliance from electrical power before performing any maintenance or servicing.



WARNING: Injury Hazard

All installation procedures must be performed by qualified personnel with full knowledge of all applicable electrical codes. Failure could result in property damage and personal injury.



WARNING Electric Shock Hazard

Appliance must be plugged into a properly grounded receptacle to prevent possible shock hazard. Electrical shock will cause death or serious injury.

This appliance is intended for use in commercial establishments, where all operators are familiar with the appliance use, limitations and associated hazards. Operating instructions and warnings must be read and understood by all operators and users.

This appliance is intended for use to hold pre-cooked foods for human consumption. No other use is recommended or authorized by the manufacturer or its agents.

Cleanliness of this appliance is essential to good sanitation. Read and follow all included cleaning instructions and schedules to ensure the safety of the food product.

DO NOT submerge this the heating unit in water. Do not splash or pour water on, in or over any controls, control panel or wiring.

Interior surfaces of this appliance can be hot to the touch and may cause burns.

Do not operate this appliance if the control panel is damaged. Do not operate this appliance if the keypad section of the control panel is torn or broken. Call your Authorized Carter-Hoffmann Service Agent for service.

All included trouble shooting guides, component views and parts lists are included for general reference, and are intended for use by qualified service personnel.



WARNING:
Burn Hazard

Interior surfaces of the appliance may be HOT to the touch, and can cause serious burns.





CAUTION: Equipment Electrical Damage

DO NOT plug in or energize this appliance until all *Installation Instructions* are read and followed. Damage to the appliance will occur if these instructions are not followed.

This manual is considered to be a permanent part of this appliance. This manual must remain with the appliance if it is sold or moved to another location.

AGENCY LISTING INFORMATION

Listings with  and  are pending.

INSTALLATION

NOTE: DO NOT discard the carton or other packing materials until you have inspected the appliance for hidden damage and tested it for proper operation.

Refer to *SHIPPING DAMAGE CLAIM PROCEDURE* on PAGE 3 of this manual.



WARNING: Risk of personal injury

Installation procedures must be performed by a qualified technician with full knowledge of all applicable electrical codes. Failure can result in personal injury and property damage.



CAUTION: Electrical Shock Hazard

The ground prong of the power cord is part of a system designed to protect you from electric shock in the event of internal damage. **DO NOT** cut off the large round ground prong or twist a blade to fit an existing receptacle.

IMPORTANT:

Power cord is 10' long. Contact a licensed electrician to install an appropriate 20 amp electrical circuit with NEMA 5-20R receptacle if one is not available within 10 feet. **DO NOT** use an extension cord.

IMPORTANT:

Damage due to being connected to the wrong voltage or phase is **NOT** covered by warranty.

Unpack the holding and heating units. Ensure that all packing materials and protective plastic has been removed from the unit. Inspect all components for completeness and condition.

Appliance should be thoroughly cleaned before use. See *CLEANING INSTRUCTIONS*, page 9.

LEVELING THE UNIT

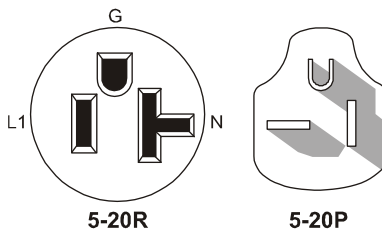
Set the holding unit in its operating location and level. Set up the appliance only on a firm, level, non-combustible surface. Verify local codes for requirements. Concrete, tile, terrazzo or metal surfaces are recommended. Metal over combustible material may not meet code for non-combustible surfaces.

A spirit level should be placed on the top of the unit as a guide when making level adjustments. Level the unit from left to right and front to back by turning the adjustable feet. Be sure all four feet touch the floor to prevent tipping.

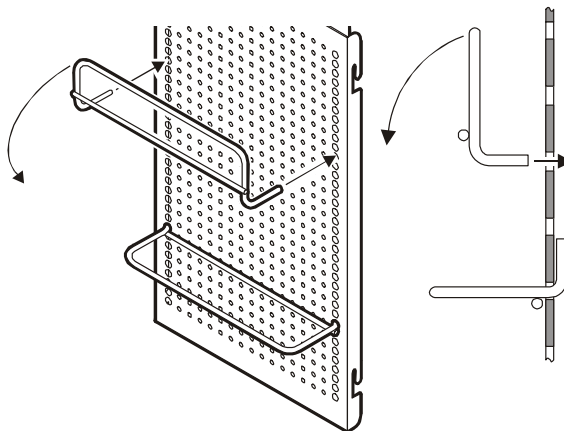
ASSEMBLY

Set the heating unit on top of the holding unit with the control panel facing forward. Verify that the blower fan turns freely.

Verify that the main power switch is OFF, then plug the heating unit into a properly grounded NEMA 5-20R electrical receptacle.



Install tray slides. Pay particular attention that slides are level front-to-rear, and that opposite pairs will allow the trays to be installed level side-to-side. Adjustment increment is 3/4".



NORMAL OPERATION

NORMAL OPERATION

When the power switch is turned on, the blower fan will start and the air heater will energize. The heating element will be energized until the cabinet reaches the AIR TEMPERATURE SETPOINT. The display will read the actual cabinet temperature. The controller air temperature is factory set at 165°F and the low temperature alarm at 120°F.

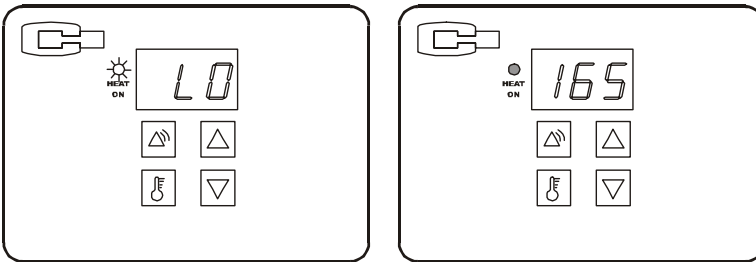
The HEAT ON light will glow when the air temperature in the cabinet is below the air temperature setpoint.

The controller display will flash (alternately L0 and the cabinet air temperature) until the cabinet air temperature is above the LOW ALARM SETPOINT,

NOTE:

The air temperature setpoint is factory set at 165°F.

If a change in setpoint or temperature range is required, refer to: PROGRAMMINGON page 11.



NOTE:

The low temperature alarm is factory set at 120°F.

If a change in alarm temperature or alarm range is required, refer to: PROGRAMMING, page 11.

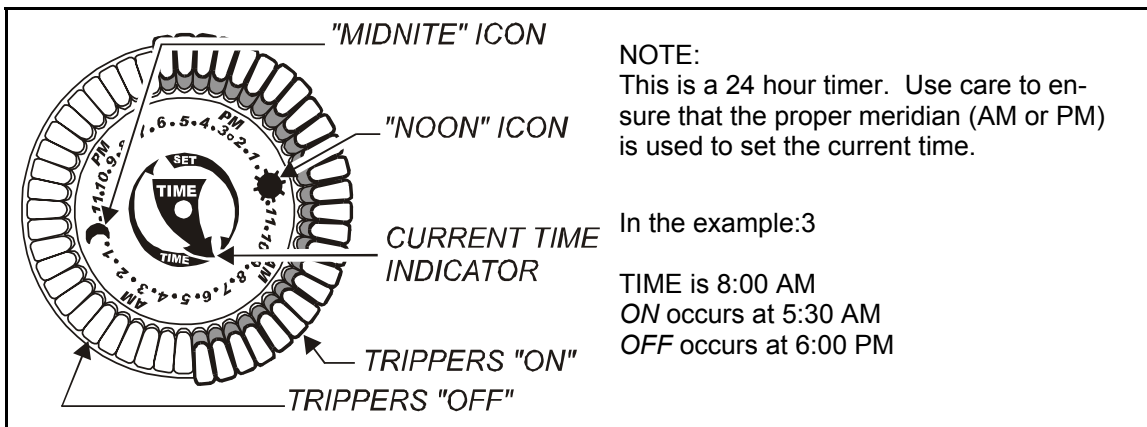
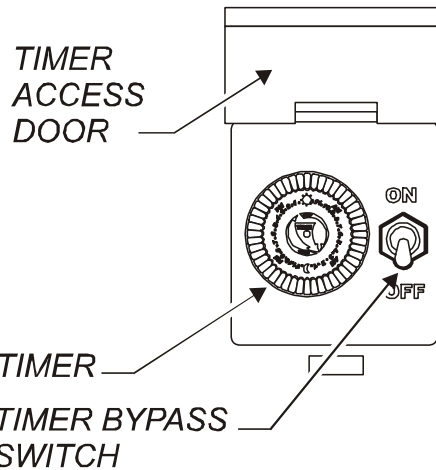
TIMER

The TIMER allows the appliance blower fan and heater system to turn on and off automatically.

Lift the TIMER ACCESS DOOR. Lift the TRIPPERS on the timer dial for the desired ON times. Each raised tripper will hold the unit ON for 30 minutes.

Turn the TIMER WHEEL until the indicator arrow points to the current time.

Turning the TIMER BYPASS SWITCH ON turns the blower fan and heater system ON, regardless of the timer position.



CLEANING



**CAUTION:
ELECTRIC SHOCK
HAZARD**

Unplug the unit from electric power before performing cleaning or maintenance procedures.



**CAUTION:
BURN HAZARD**

Allow the unit to cool before performing maintenance or cleaning or procedures.



**CAUTION:
ELECTRIC SHOCK
HAZARD**

DO NOT spray or splash water on the built-in heater, control panel, timer or wiring.

Turn the main power switch OFF and allow the unit to cool before cleaning. DO NOT spray or splash water on the built-in heater, control panel, timer or wiring.

1. Racks or shelves are easily removed without tools for cleaning, Simply lift up and pull out. The tray racks may be hand washed or run through an automatic washer.
2. To clean stainless steel surfaces use only cleansers, detergents, degreasers, or sanitizers that are certified to be "chloride-free" and "phosphate-free," and cleansers, degreasers, or sanitizers only in the recommended concentrations. DO NOT exceed recommended concentrations or mixing ratios. After cleaning and sanitizing, rinse all exposed surfaces thoroughly with large amounts of clean, clear water. Wipe off any standing liquid or residue from all surfaces, corners and rear edges.

IMPORTANT:

Cleansers, detergents, degreasers, sanitizers or bleaching agents that contain chlorides or phosphates will cause permanent damage to stainless steel products. This damage appears as pits, eruptions, voids, small holes, cracks, severe discolorations or dulling of the metal finish. Water with a high chlorine content can also damage stainless steel. If unsure of your water quality, we recommend you have it tested. THIS DAMAGE IS PERMANENT, COSTLY TO REPAIR, AND IS NOT COVERED BY WARRANTY.

IMPORTANT:

DO NOT use steel wool pads. The ferrous metal in the pad will cause rusting.

RECOMMENDED "TIPS" FOR CLEANING STAINLESS STEEL

PURPOSE	FREQUENCY	CLEANING AGENT	METHOD OF APPLICATION
Routine Cleaning	Daily	Soap, ammonia, detergent and water	Swab with cloth. Rinse with clear water, wipe dry.
Smear and Fingerprints	As Needed	Stainless steel cleaner, similar products	Rub with cloth as directed on package. Rub in direction of grain of stainless steel. Do not use on vinyl trim or control panel.
Stubborn Spots and Stains	Daily, or As Needed	Any chloride-free or phosphate-free cleanser	Apply with damp sponge or cloth. Rub in direction of grain. Rinse thoroughly. Do not use on vinyl trim or control panel.
Hard Water Spots	Daily, or As Needed	Vinegar	Swab with cloth. Rinse with clear water, wipe dry.

TROUBLESHOOTING SUGGESTIONS

PROBLEM	PROBABLE CAUSE	POSSIBLE REMEDY
No power to unit (Display does not light, cooling fan and blower do not run)	Not plugged in or circuit breaker off or tripped	Plug into receptacle. Reset circuit breaker
	Main switch off or damaged	Check main power switch, replace if damaged
	Timer off	Reset timer or turn bypass on
	Damaged power cord	Replace cord
	Hi-limit safety tripped	Allow unit to cool, hi-limit will reset automatically
Display does not light, cooling fan and blower running	Damaged 24V transformer	Replace transformer
	Damaged controller	Replace controller
Timer not working	Timer bypass turned on	Turn bypass off
	Timer or timer trippers not set	Pull trippers out for "on", push in for "off". Set timer to current time.
Unit does not heat	Cabinet temp above setpoint (setpoint too low)	Change setpoint
	Damaged wiring	Repair wiring
	Damaged relay	Replace relay
	Damaged controller	Replace controller
	Damaged heating element	Replace element
Unit overheats	Setpoint too high	Change setpoint
	Temp probe damaged	Replace probe
	Damaged controller	Replace controller
Controller intermittent	Dirty or damaged cooling fan	Clean or replace fan
	Damaged controller	Replace controller
Blower fan not running	Blower fan jammed	Un-jam fan
	Damaged fan motor	Replace motor
Cooling fan not running	Cooling fan dirty or damaged	Clean or replace fan
Unit does not hold temperature	Damaged door gasket	Replace gasket
	Door not latched properly	Replace defective latch, adjust door
	Temp probe damaged	Replace probe
	Damaged controller	Replace controller

PROGRAMMING INSTRUCTIONS

NOTE:

The air temperature setpoint is factory set at 165°F.

If a change in setpoint is required, refer to: CHANGE TEMPERATURE SETPOINTS

NOTE:

The low temperature alarm is factory set at 145°F.

If a change in alarm setpoint is required, refer to: CHANGE ALARM SETPOINTS

ALARM
RESET



UP
ARROW



TEMP
SET



UP
ARROW

TO CHANGE TEMPERATURE SETPOINTS

Turn the power switch on. Press and hold the Temp Set button. While holding the temperature set button, press the *Up Arrow* or *Down Arrow* button until the desired air temperature is displayed. The display will advance in 1°F increments.

TO CHANGE TEMPERATURE RANGE

Turn the power switch off. Press and hold the *Up Arrow* and *Down Arrow* buttons, While holding the buttons turn the cabinet power back on. The display will read **Ser F**. To change the range, press and release the *Temp Set* button. This will activate the temperature range mode. Press the *Temp Set* button. The display will read **Rlo**. To change the temperature lower, press the *Down Arrow* button until desired temperature range is displayed. (Minimum setting 150°F) Press the *Temp Set* button again, The display will read **Rhi**. To change the temperature higher, press the up arrow button until the desired temperature range is displayed. (Maximum 190°F.)

When changes are complete, turn off the power switch to store and save the changes.

TO CHANGE ALARM SETPOINTS

Turn the power switch on. Press and hold the alarm reset button. While holding the alarm reset button, press the *Up Arrow* or *Down Arrow* button until the desired alarm temperature is displayed. The display will advance in 1°F increments.

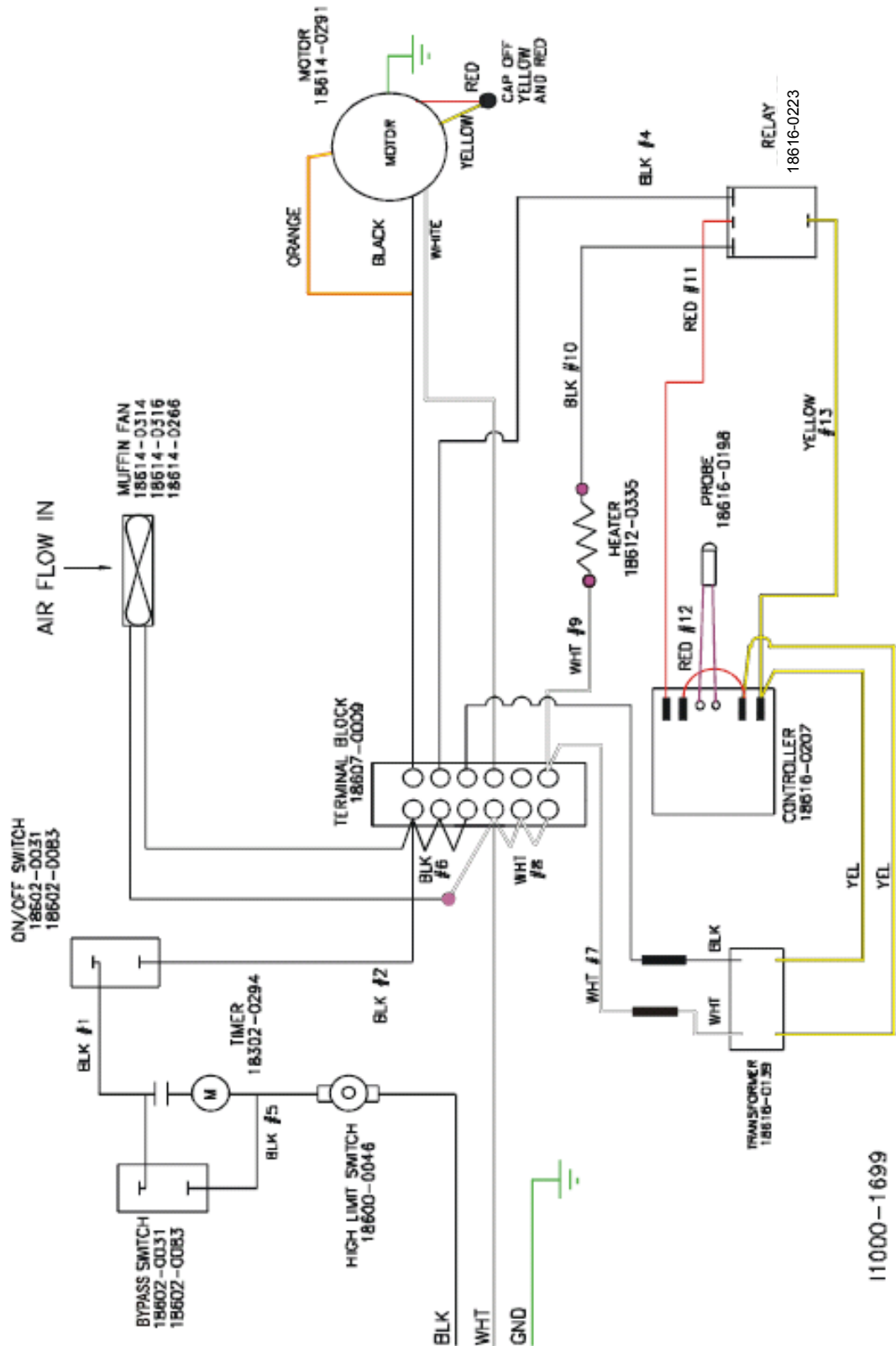
TO CHANGE ALARM RANGE

Turn the power switch off. Press and hold the *Up Arrow* and *Down Arrow* buttons. While holding the buttons turn the power switch back on. The display will read **Ser F** To change the range, press and release the *Alarm Reset* button. This will activate the alarm range mode. The display will read **Alo**. To change the alarm range lower, press the *Down Arrow* until desired range is displayed. (Minimum setting 110°F.)

To change the alarm range higher, press the *Alarm Reset* button, The display will read **Ali**. Press the *Up Arrow* button until the desired range is displayed. (Maximum setting 150°F.)

When changes are complete, turn off the power switch to store and save the changes.

WIRING DIAGRAM



11000-1699

Spare Parts List

NOTE:
Spare parts must be ordered through the local Authorized Service and Parts Distributor.

Please contact our factory for pricing, lead times and contact information.

PART NUMBER	DESCRIPTION	TB916N1 DUTCH DOOR 120V/2000W/ 20AMP/60HZ TB9160000B	TB916N2 DUTCH DOOR LEFT HINGED 120V/2000W/ 20AMP/60HZ TB9160001B	TB916N3 DUTCH DOOR W/ WINDOW 9 SHELVES MENU BRKT TB9160002B
16001-4093	SHELF ASSY, TB916			X
16006-0018	DOOR ASY, TB916 RIGHT HINGED	X		
16006-0040	DOOR ASY, TB916 LEFT HINGED		X	
17020-2168	CABINET GASKET NON-MAGNETIC TB916	X	X	X
18302-0050	LATCH MAG & CHRМ OFFSET	X	X	X
18302-0054	STRIKE RETHERM #R25-X002	X	X	X
18302-0086	MEDIUM SNAP-IN MAGNET	X	X	X
18302-0294	24 HOUR TIMER 120V 20AMP	X	X	X
18304-0044	SELF CLOSING HINGE W/STOPS	X	X	X
18309-0066	6" ADJ. LEG S.S. 1 5/8"OD NP9	X	X	X
18312-0244	TB916 HOLDING CABINET OVERLAY	X	X	X
18312-0253	ON/OFF LABEL, TB916	X	X	X
18400-3093	EQUIPMENT MANUAL, TB916	X	X	X
18600-0046	HI-LIMIT SWITCH AUTO	X	X	X
18602-0031	SWITCH BOOT	X	X	X
18602-0083	TOGGLE SWITCH 30A 120V	X	X	X
18603-5014	3/8 FAN BLADE	X	X	X
18607-0009	TERMINAL BLOCK (6) VDE	X	X	X
18612-0335	HEATING ELEMENT 2000 WATTS	X	X	X
18614-0266	FAN GUARD #SC120-W3	X	X	X
18614-0291	MOTOR 208/240V 50/60HZ	X	X	X
18614-0314	MUFFIN FAN 115V	X	X	X
18614-0316	CORD SET X 40" #4C552	X	X	X
18616-0135	TRANSFORMER	X	X	X
18616-0198	PROBE 3/16 X 1.5 X 18.5	X	X	X
18616-0207	CONTRLLER W/GREEN LED	X	X	X
18616-0223	RELAY SPST-NO	X	X	X
11000-1699	WIRING DIAGRAM, TB916	X	X	X
TB916H000A	TB916 HEATER ASSEMBLY, 120V	X	X	X

Manufactured for:



Carter-Hoffmann

A Division of Carrier Commercial Refrigeration

1551 McCormick Ave.

Mundelein, Illinois, 60060 USA

Phone: 847-362-5500

Toll Free (USA and Canada): 800-323-9793

Fax: 847-367-8981

After Hours Emergency: 800-421-3744

Normal business hours are 8:30 am - 5:00 pm, C.S.T., Monday-Friday

Service E-mail: service@carterhoffmann.com

Sales and Marketing E-mail: sales@carterhoffmann.com

Company Website: www.carter-hoffmann.com

To obtain Warranty Service, call Carter-Hoffmann direct

