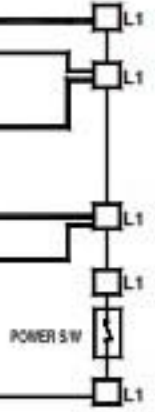
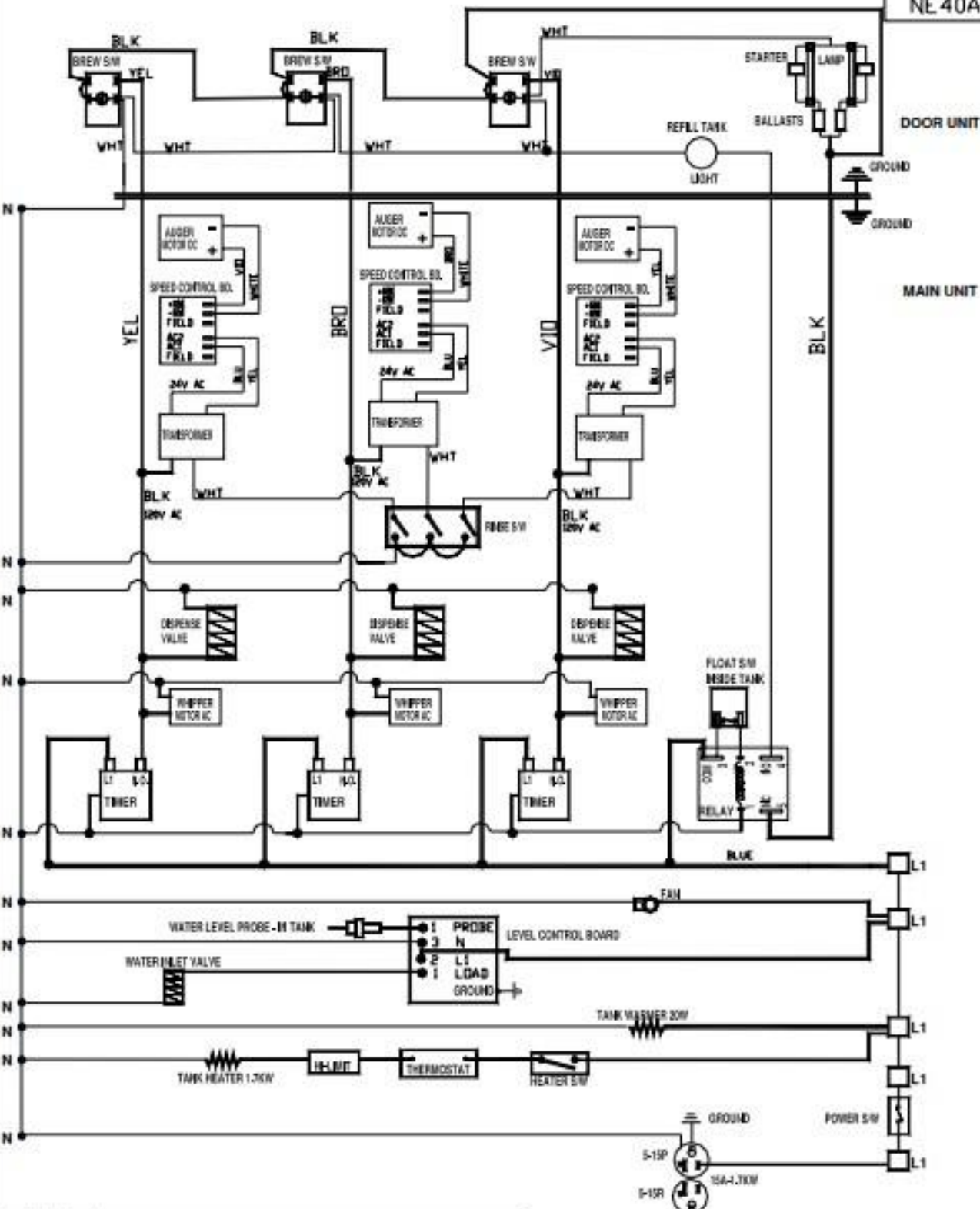
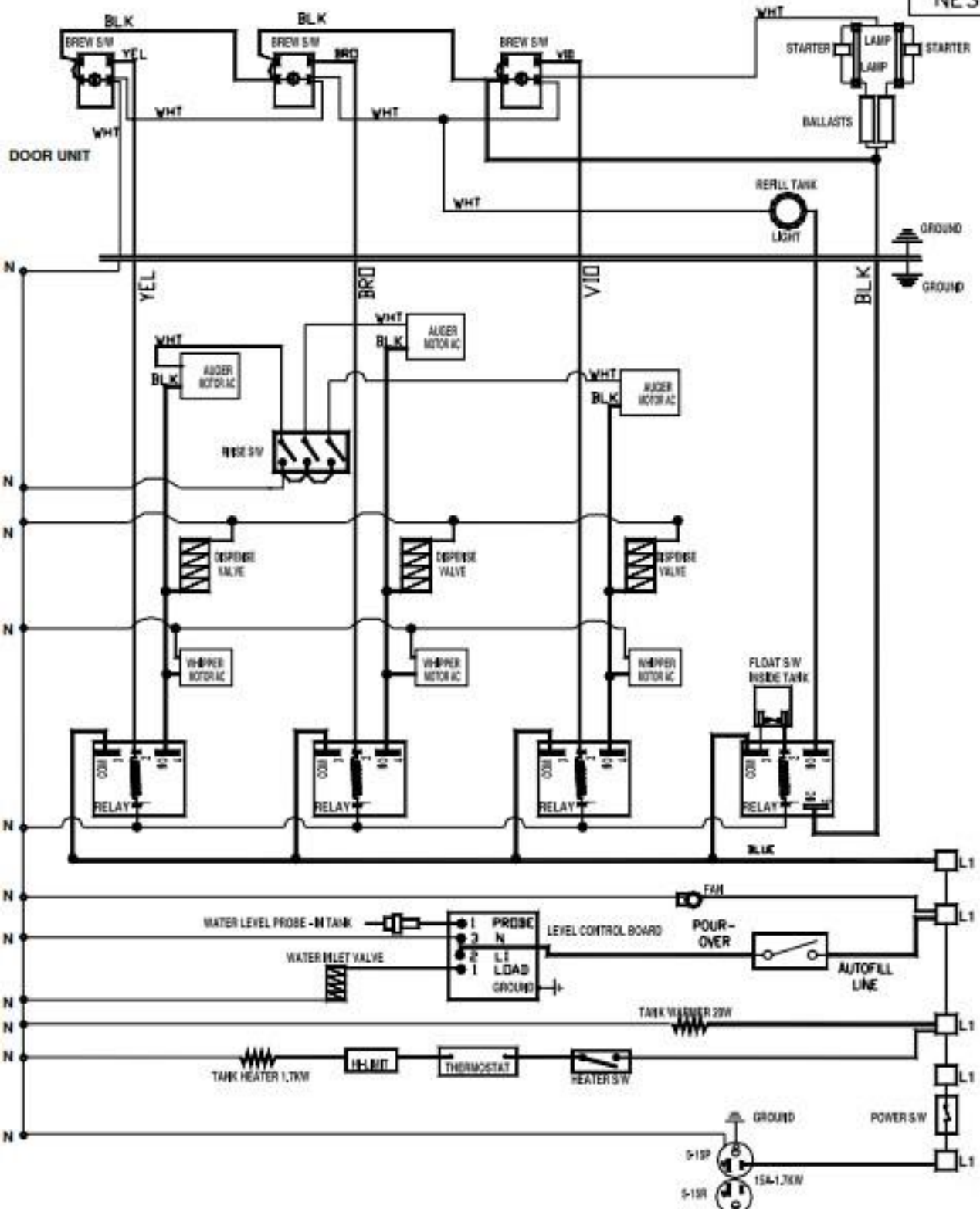


DOOR UNIT

MAIN UNIT







DOOR UNIT

N

N

N

N

N

N

N

N

N

N

GROUND

GROUND

L1

L1

L1

L1

L1

L1

5-1P

5-1R

15A-1.7KW

