

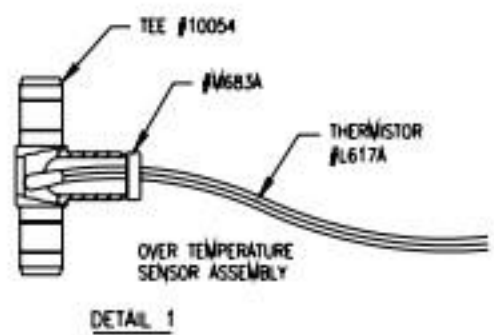
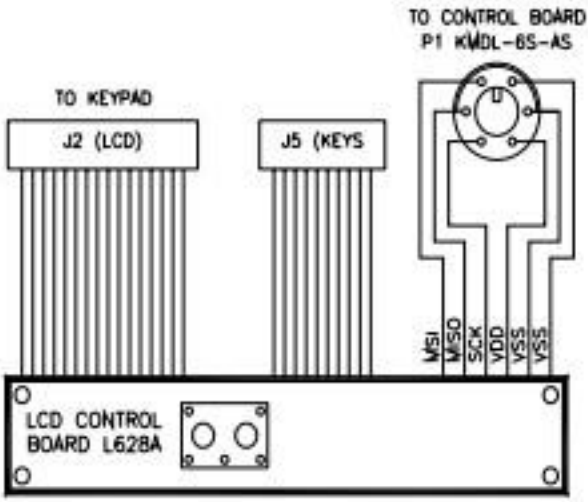
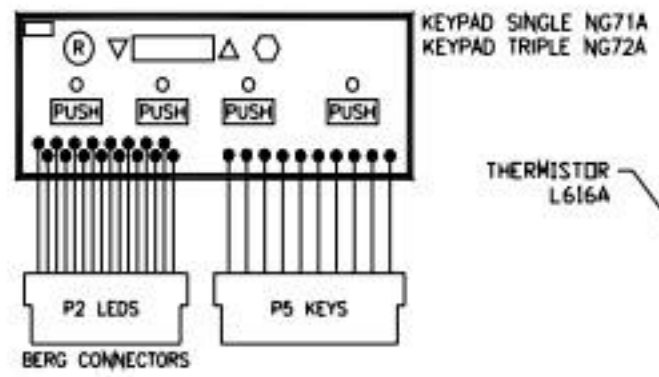
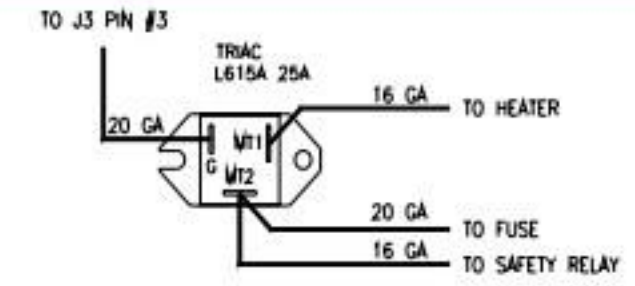
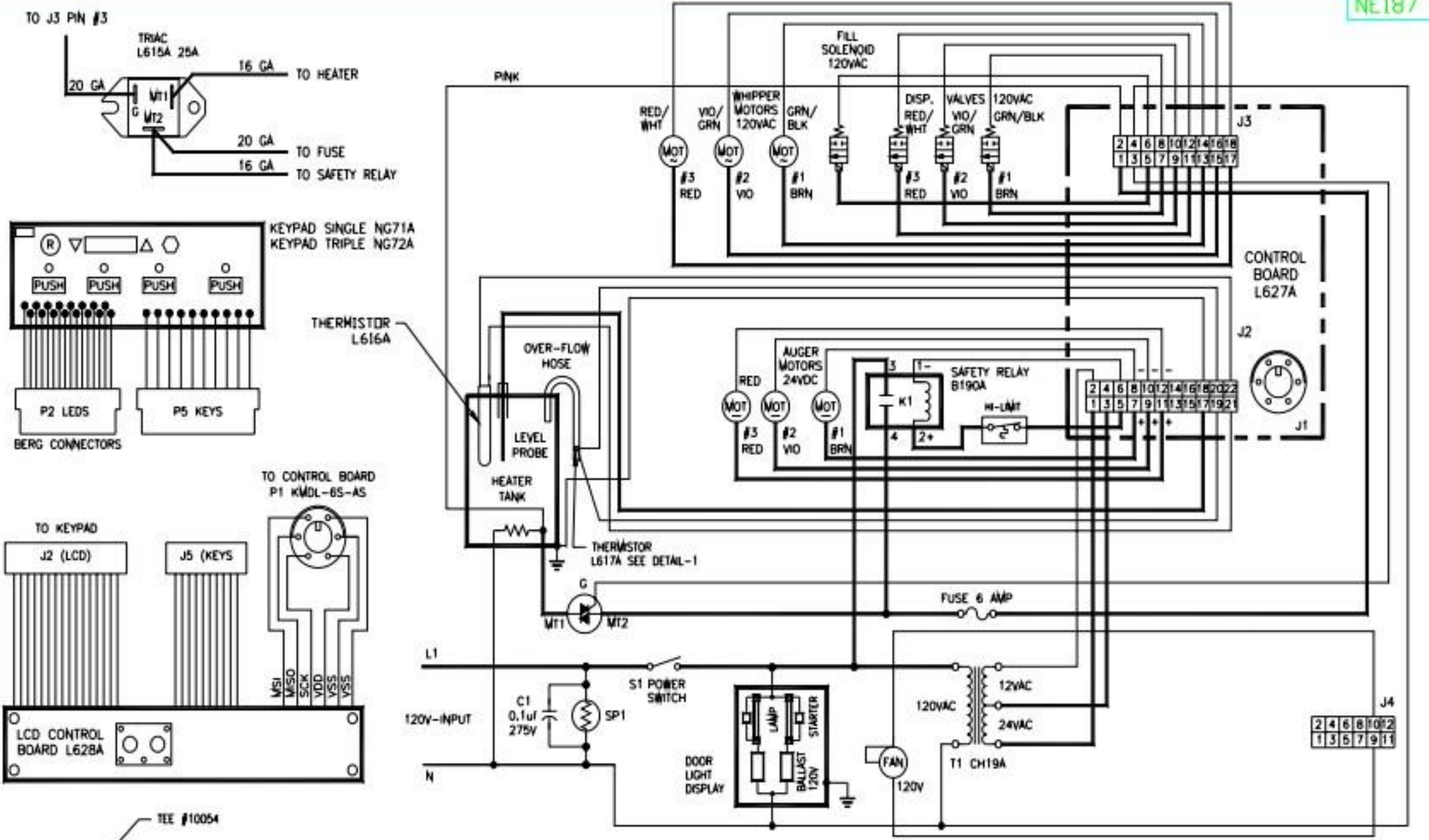
220V

| | | |
|---------|----------|----------------|
| REV. BY | DATE | DESCRIPTION |
| A | 11/14/99 | ADD 6 AMP FUSE |
| B | 1/14/99 | REVISED |

| | | | | |
|---------------------------------------|-----------|----------|--------|--------------------|
| TOLERANCES UNLESS OTHERWISE SPECIFIED | FRACTIONS | DECIMALS | ANGLES | MATERIAL |
| ✓ | ± 5 | ± 1/64 | ± 1/2 | APPR. VER. BY |
| ✓ | D | N | T | SCALE THIS DRAWING |
| DATE | 1/14/99 | PART NO. | NE95A | SCALE |
| 1 | 1 | 1 | 1 | 1 |

CECILWARE CORPORATION 43-05 20 AVE. L.I.C. NY 11105

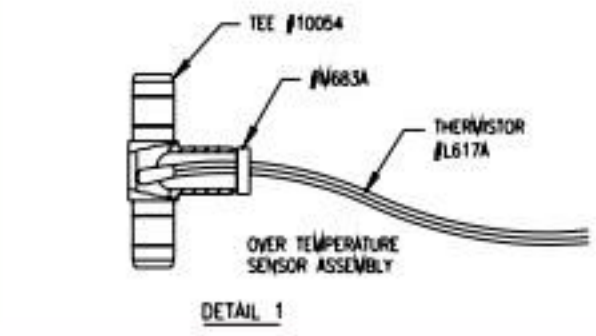
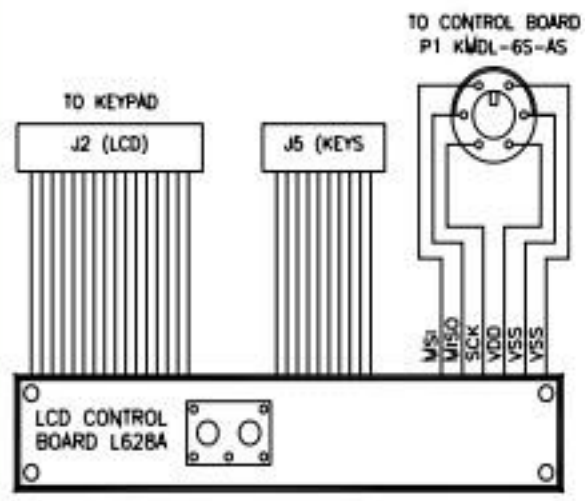
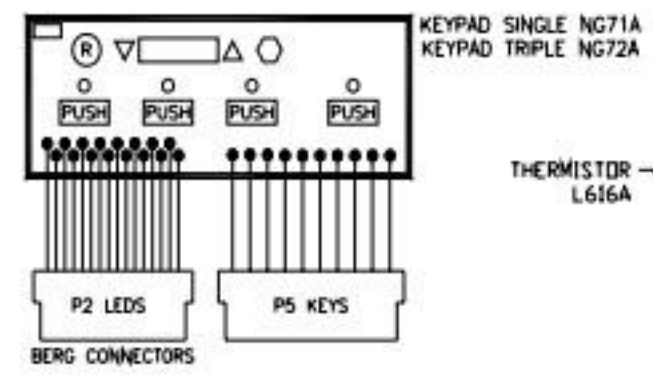
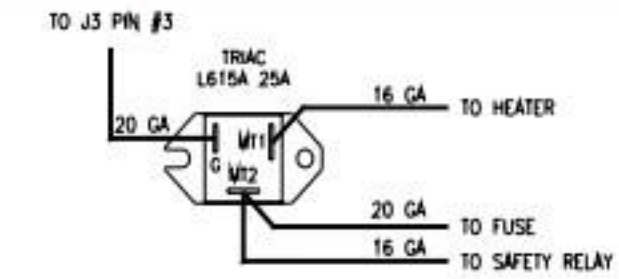
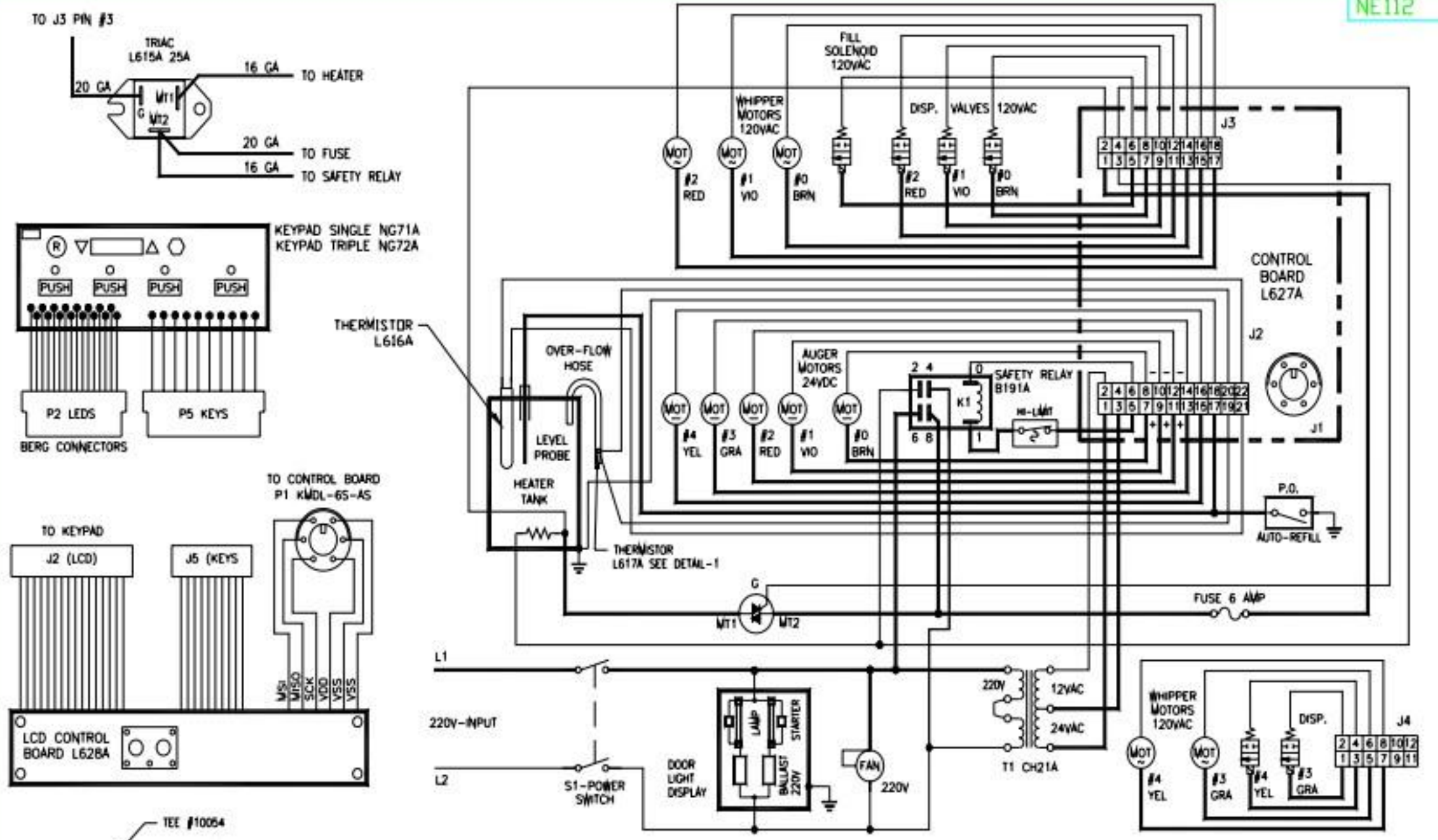
TITLE: ELECTRICAL WIRING - 22 V (CB3-IT) DRAWING NO: NE95A REV: A



120V

| REV | BY | DATE | DESCRIPTION |
|-----|----|-----------|-------------|
| 1 | MM | 5/21/2002 | REV |

| | | |
|---|-------------------------------------|------------------|
| TOLERANCES UNLESS OTHERWISE SPECIFIED | FINISHED DECIMAL FRACTIONAL ANGULAR | MATERIAL |
| ±.005 | ±1/64 ±1/2° | APPROVED BY |
| DO NOT SCALE THIS DRAWING | DRAWN BY MM | DATE 5/21/2002 |
| DECILWARE CORPORATION | | PART NO NE187 |
| 43-05 20 AVE. L.L.C. NY 11105 | | SCALE 1:1 |
| TITLE ELECTRICAL DIAGRAM - 120V (GB500-1) | | DRAWING NO NE187 |
| | | REV |

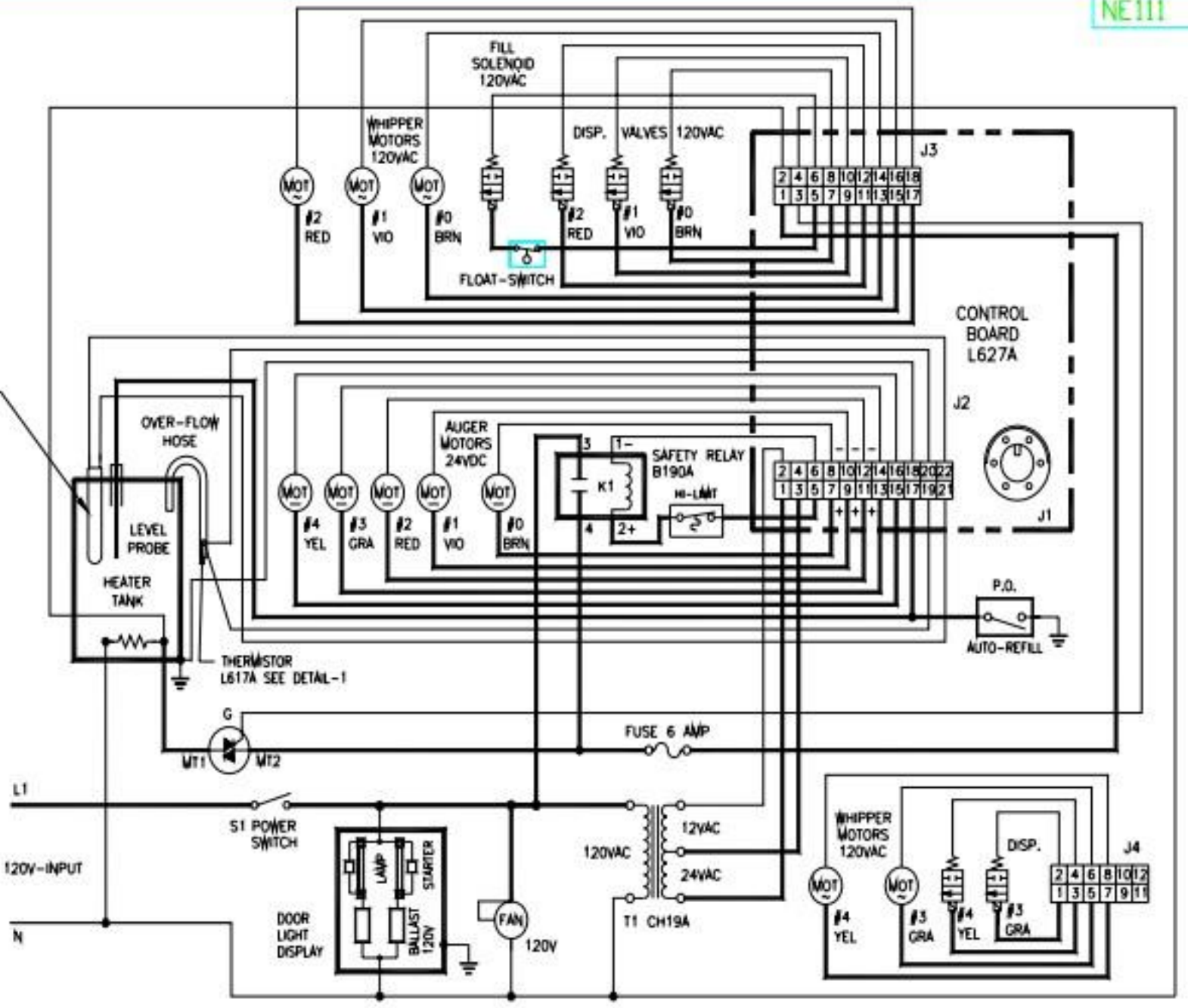
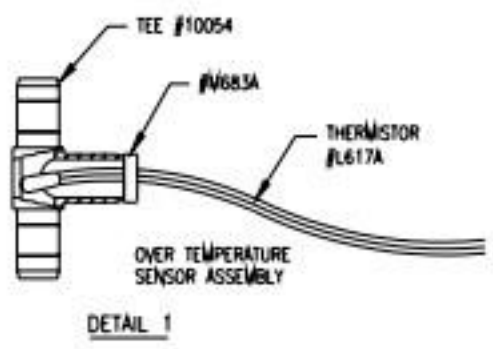
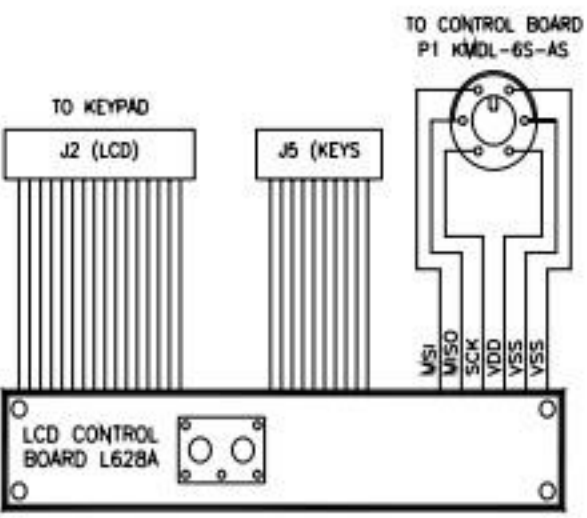
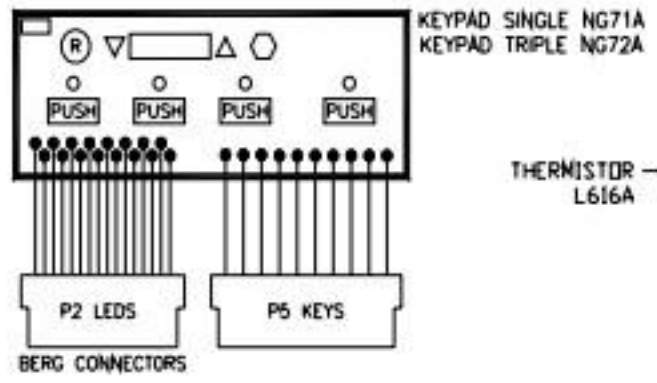
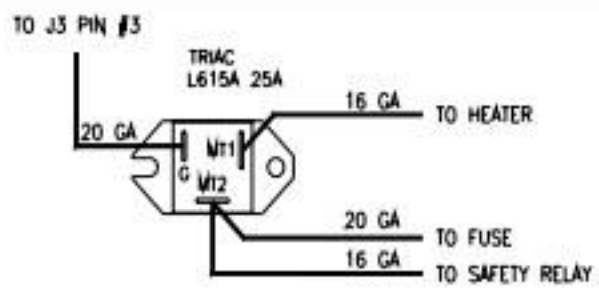


P.O.
 220V

| REV | BY | DATE | DESCRIPTION |
|-----|----|---------|--|
| 1 | MM | 5/25/99 | ADDED COLOR CODE & DIMMER MOTOR NUMBERS TO WGT PRINT |
| 2 | MM | 7/26/99 | ADDED M-LMT SWITCH |
| 3 | MM | 5/25/99 | REVISED POSITIONING TO-DO FROM J3 |
| 4 | MM | 5/25/99 | REVISED POSITIONING TO-DO FROM J3 |

| TOLERANCES UNLESS SPECIFIED | FINISHED DECIMAL | FRACTIONAL | ANGULAR | MATERIAL |
|-----------------------------|------------------|------------|---------|----------|
| ✓ | ±.005 | ±1/64 | ±1/2 | |
| DO NOT SCALE THIS DRAWING | APPROVED BY | DATE | PART NO | NE112 |
| | MM | 5/11/99 | SCALE | 1:1 |

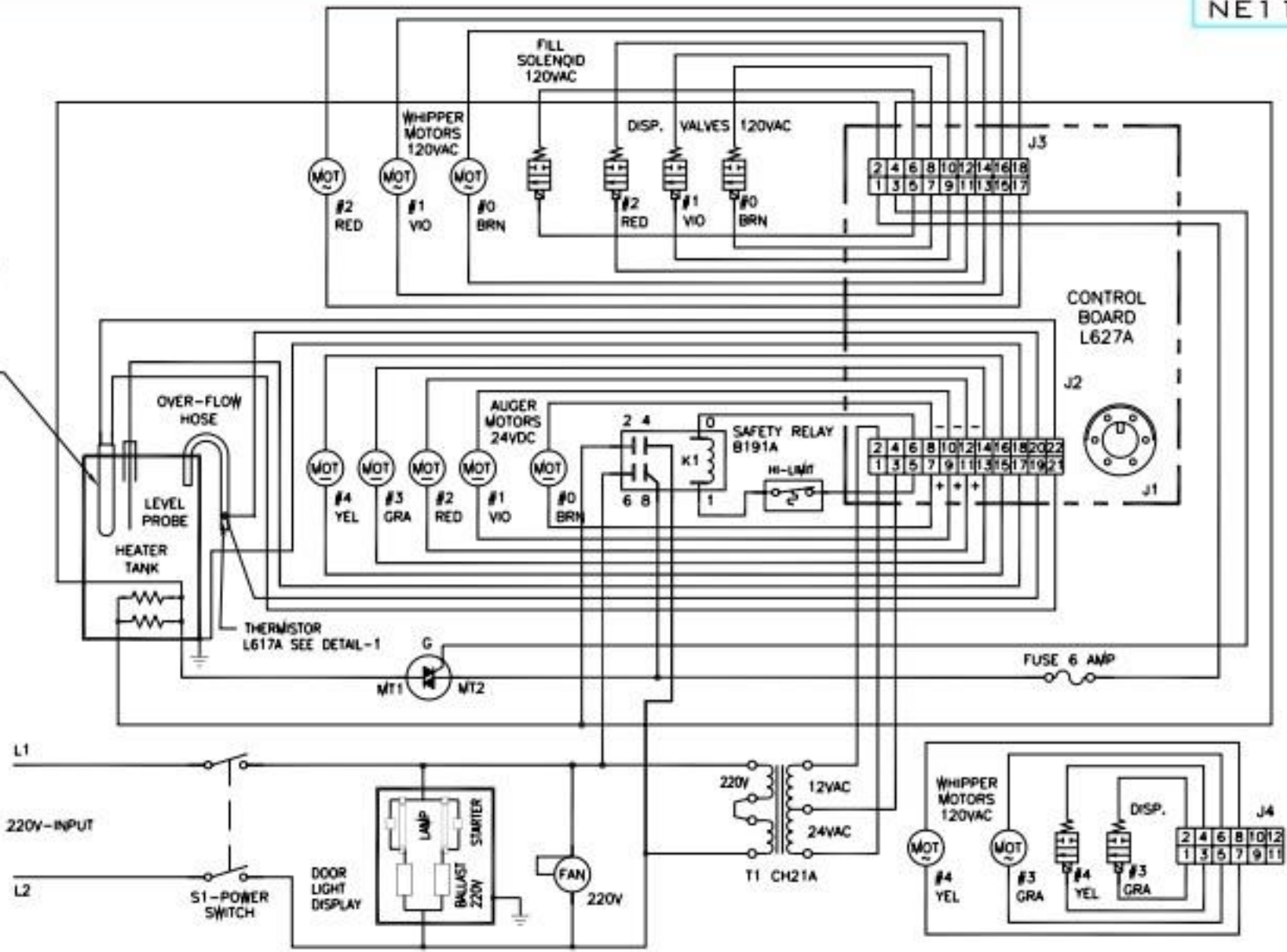
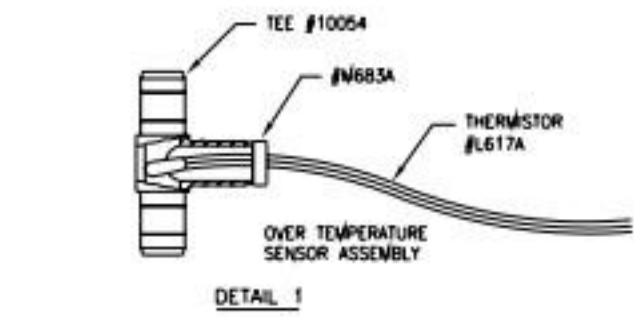
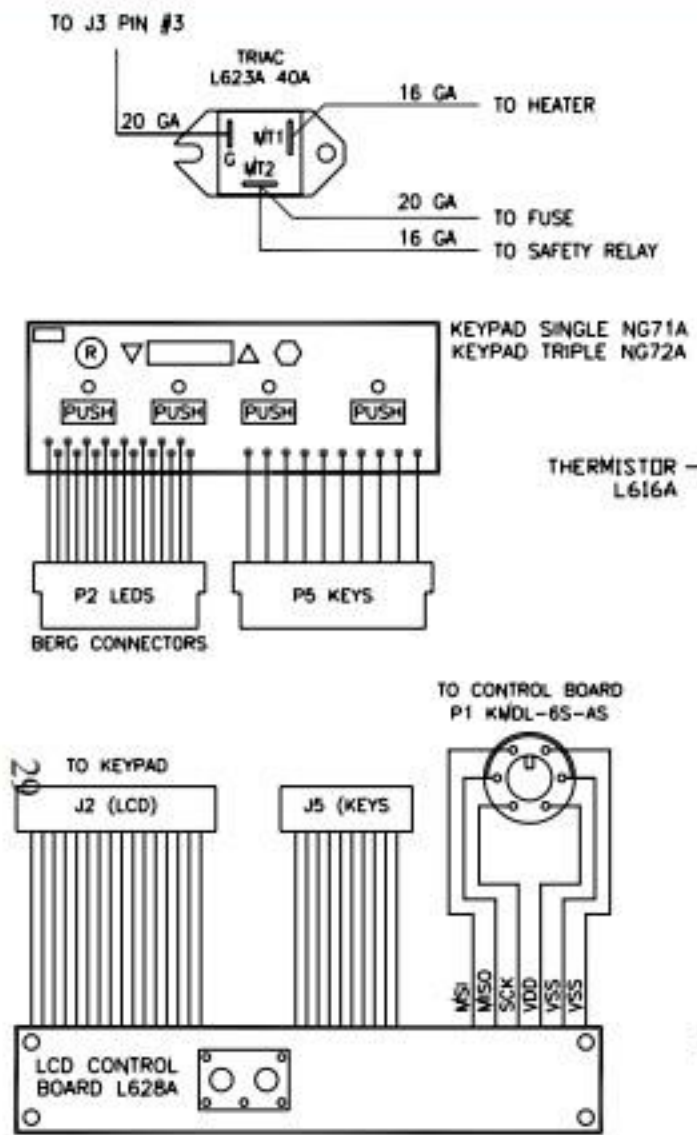
CECILWARE CORPORATION 43-05 20 AVE. L.I.C. NY 11105
 TITLE: ELECTRICAL DIAGRAM - 220V 3KW (GRSND-IT P.O.) DRAWING NO: NE112 REV: C



P.O.
 120V

| | | | |
|-----|----|----------|--|
| REV | BY | DATE | DESCRIPTION |
| B | WM | 10/25/99 | ADDED COLOR CODE & CHANGE WITH WIRING TO MFT FIBER |
| C | WM | 7/26/99 | ADDED HI-LIMIT SWITCH |
| E | WM | 6/29/99 | ADDED FLOW SWITCH |
| A | WM | 5/24/99 | ADDED POSITION 19-20 FUSE JD |

| | | | | | | | |
|---|------------------|------------|---------|------------|-------------|---------|---------|
| TOLERANCES UNLESS SPECIFIED | FINISHED DECIMAL | FRACTIONAL | ANGULAR | MATERIAL | APPROVED BY | DATE | PART NO |
| | ✓ | ±.005 | ±1/64 | ±1/2 | WM | 5/11/99 | NE111 |
| DO NOT SCALE THIS DRAWING | | | | DRAWN BY | DATE | SCALE | |
| | | | | WM | 5/11/99 | 1:1 | |
| CECILWARE CORPORATION 43-05 20 AVE. L.I.C. NY 11105 | | | | | | | |
| TITLE ELECTRICAL DIAGRAM - 120V (GRA-IT P.O.) | | | | DRAWING NO | | REV. B | |
| | | | | NE111 | | | |



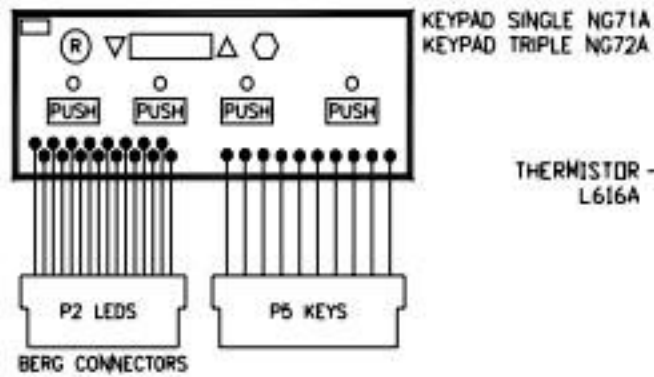
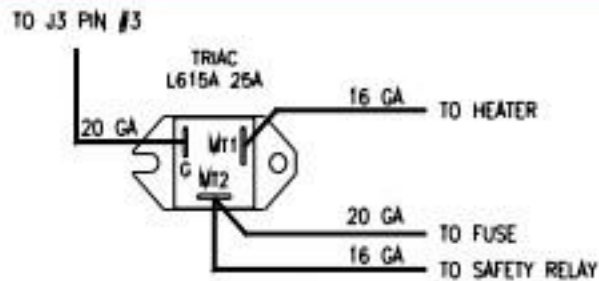
| | | | | |
|-----|----|---|-------------|--|
| 1 | MM | DESIGN/ISSUED COLOR CODE & CHECKED MOTOR NUMBER TO NEXT PAGES | | |
| 2 | MM | 2/26/99 ISSUED HI-LIMIT SWITCH | | |
| 3 | MM | 5/24/99 REVISED EDITORIAL #1-22 FROM J3 | | |
| REV | BY | DATE | DESCRIPTION | |

| | | | | | |
|--|--|-------------|--------------|---------|-------|
| TOLERANCES ON DIMENSIONS NOT OTHERWISE SPECIFIED | FINISHED DECIMAL FRACTIONAL ANGULAR MATERIAL | APPROVED BY | DATE | PART NO | NE110 |
| ✓ | ±.005 ±1/64 ±1/2 | MM | DATE 5/10/99 | SCALE | 1:1 |

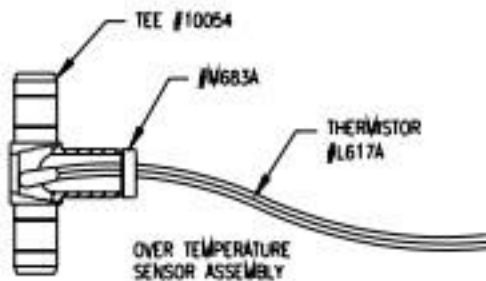
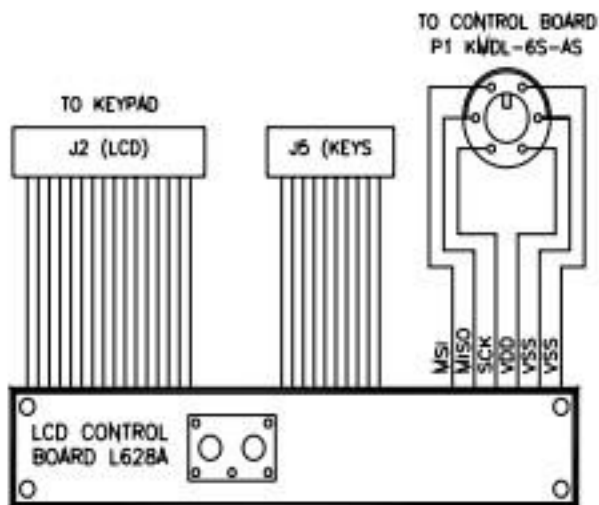
CECILWARE CORPORATION 43-05 20 AVE. L.I.C. NY 11105

FILE ELECTRICAL DIAGRAM - 220V 6KW (CB4MD-IT) DRAWING NO NE110 REV. C

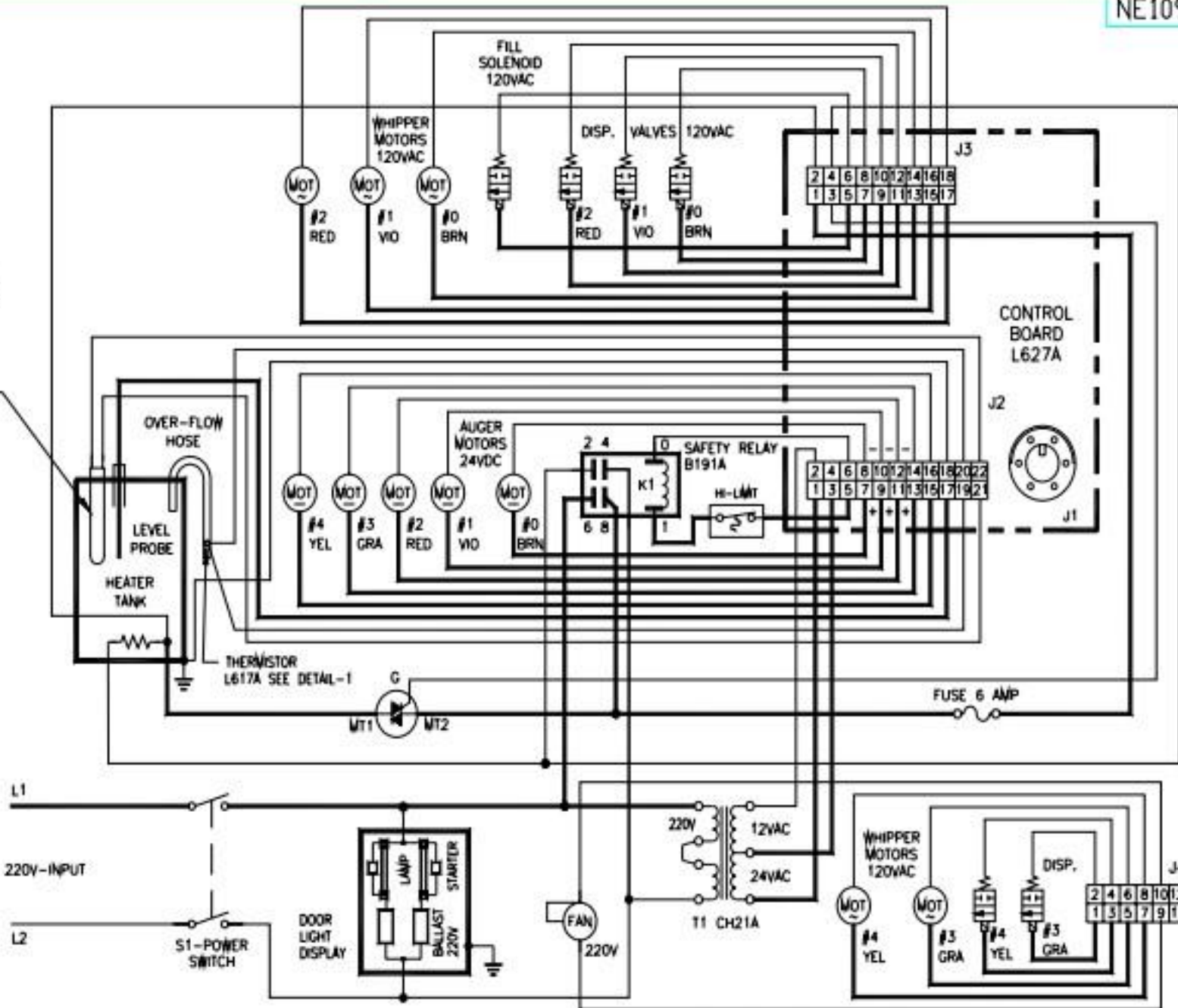
220V



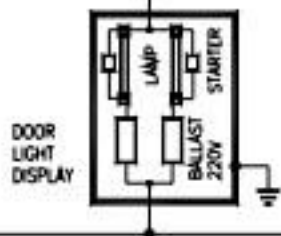
THERMISTOR L616A



DETAIL 1



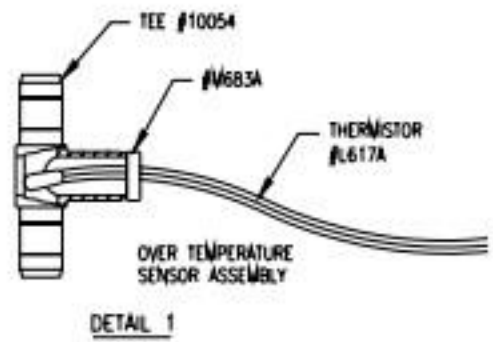
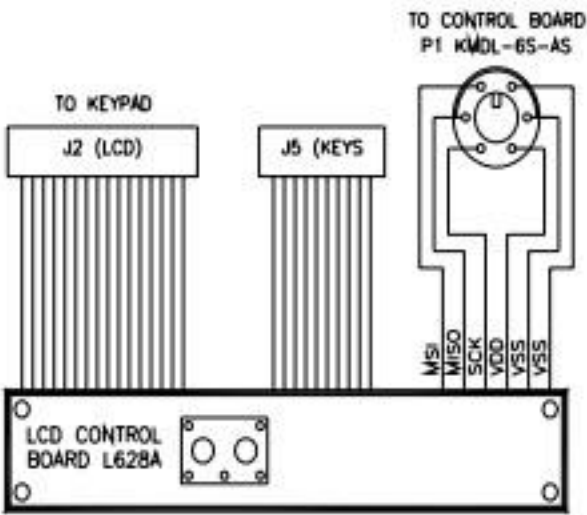
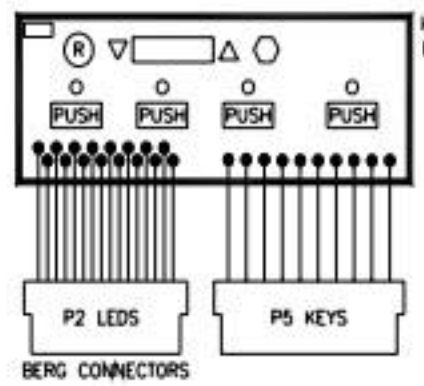
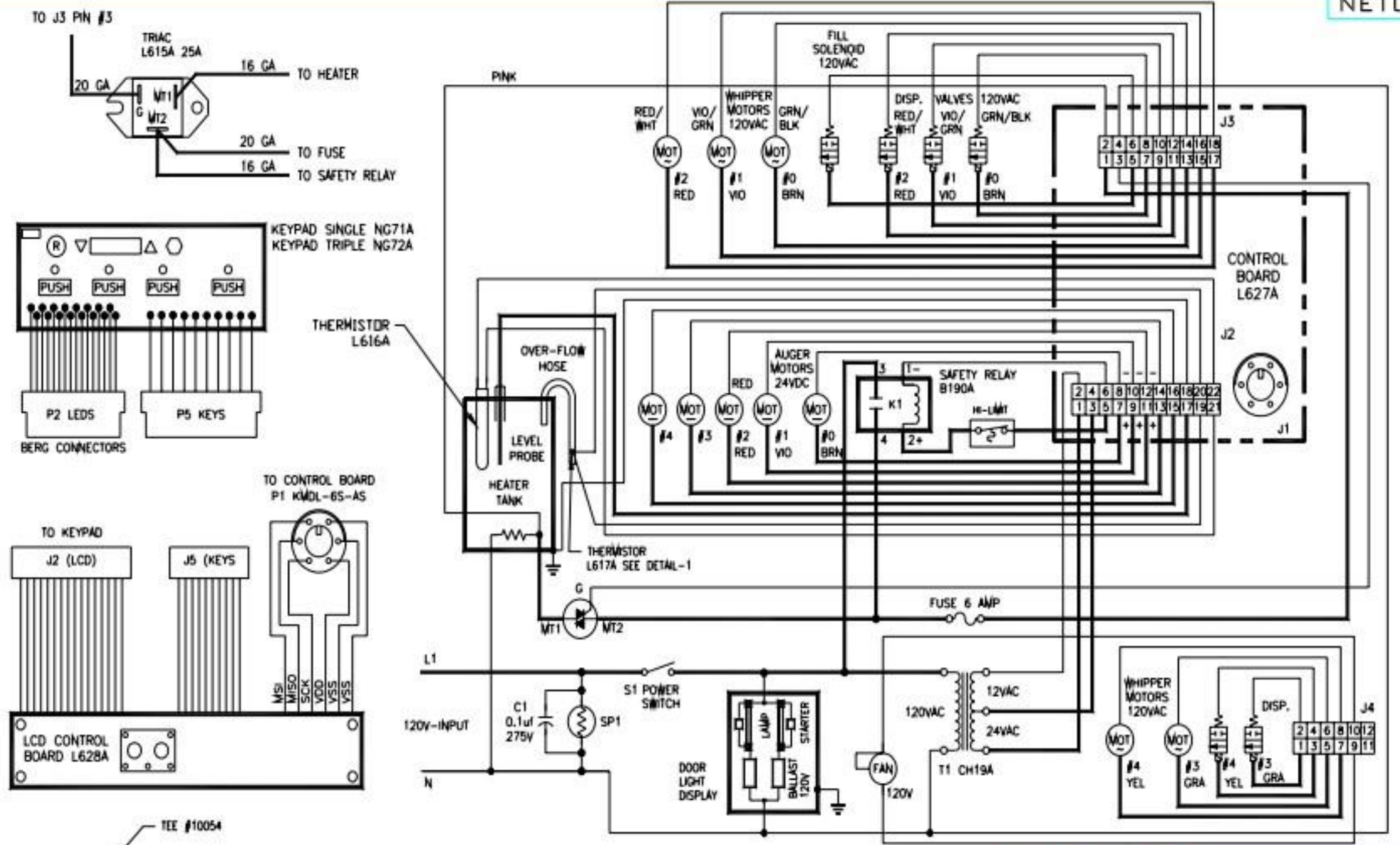
L1
220V-INPUT
L2



| | | | |
|---------|------|-------------|--|
| 2 | MM | 01/08/99 | REWORKED |
| 3 | MM | 02/02/99 | CHANGED MOTOR NUMBERS CHANGED TO HELI POINT & ADDED COLOR CODE |
| 4 | MM | 07/16/99 | ADDED H-LIMIT SWITCH |
| 5 | MM | 02/03/99 | REMOVED WIRING 15-24 FROM J3 |
| REV. BY | DATE | DESCRIPTION | |

220V

| | | | | | | | |
|--|------------------|------------|---------|-------------------------------|-------------|--------|---------|
| TOLERANCES UNLESS OTHERWISE SPECIFIED | FINISHED DIMINAL | FRACTIONAL | ANGULAR | MATERIAL | APPROVED BY | DATE | PART NO |
| DO NOT SCALE THIS DRAWING | ✓ | ±.005 | ±1/64 | ±1/2 | MM | 5/7/99 | NE109 |
| CECILWARE CORPORATION | | | | 43-05 30 AVE. L.I.C. NY 11105 | | | |
| ELECTRICAL DIAGRAM - 220V 3KW (GB5MD-IT) | | | | DRAWING NO | | NE109 | |
| | | | | REV. D | | | |



120V

| | | | |
|----------|------|-------------|-----------------------------|
| 6 | MM | 5/27/99 | ADD VIRE COLOR |
| 7 | MM | 5/27/99 | REVISIONS |
| 8 | MM | 7/7/99 | ADD 3 C1 & SP1 |
| 9 | MM | 10/2/99 | MINOR CHANGES TO WIRE COLOR |
| 10 | MM | 8/22/99 | ADD 3 COLOR CODE |
| REV 1 BY | DATE | DESCRIPTION | |

| | | | | | |
|--|-------------------------------------|----------|-------------------------------|--------|---------|
| TOLERANCES ON DIMENSIONS NOT OTHERWISE SPECIFIED | FINISHED DECIMAL FRACTIONAL ANGULAR | MATERIAL | APPROVED BY | DATE | PART NO |
| | ✓ ±.005 ±1/64 ±1/2 | | MM | 5/6/99 | NE108 |
| DO NOT SCALE THIS DRAWING | | DRAWN BY | MM | DATE | SCALE |
| | | | | | 1:1 |
| CECILWARE CORPORATION | | | 43-05 20 AVE. L.I.C. NY 11105 | | |
| TITLE ELECTRICAL DIAGRAM - 120V (GB5MD-IT) | | | DRAWING NO | | REV. G |
| | | | NE108 | | |