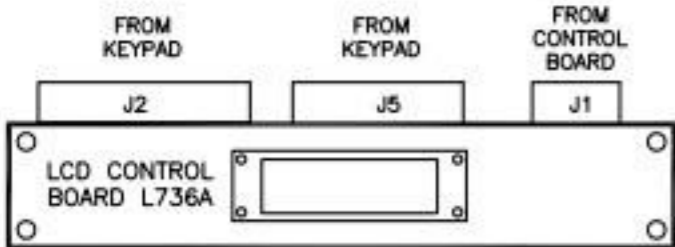


TO CONTROL BOARD
 P1 KMDL-6S-AS



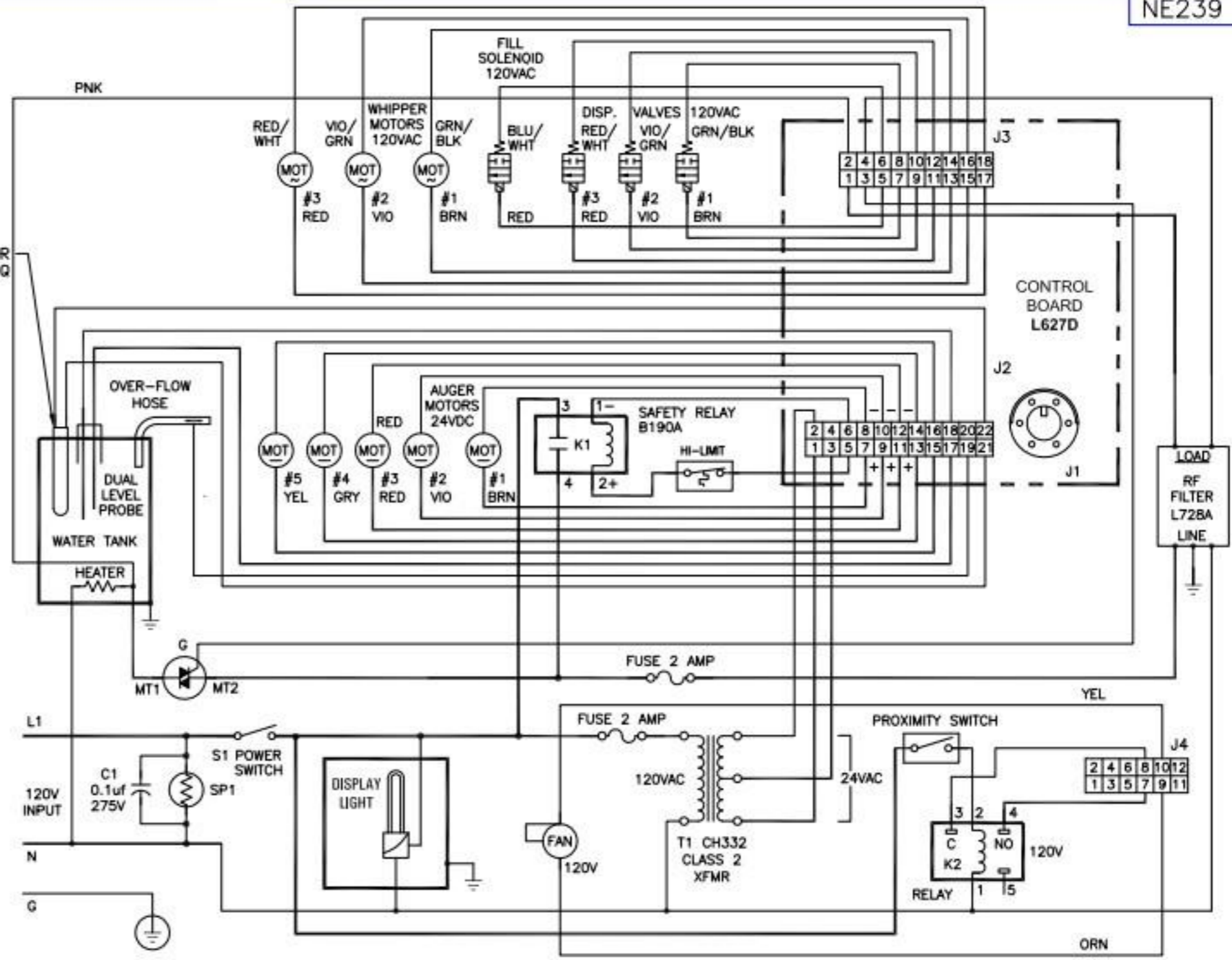
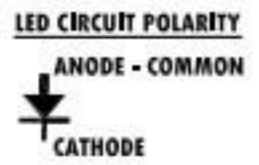
THERMISTOR L6390



LEDs PIN LAYOUT

CATH	CATH	CATH	CATH	CATH	CATH	CATH	CATH	CATH	CATH	CATH	CATH	CATH	CATH	CATH
MODE	1-1	1-2	1-3	1-4	2-1	2-2	2-3	2-4	3-1	3-2	3-3	3-4		
	2	3	4	5	6	7	8	9	10	11	12	13	14	15

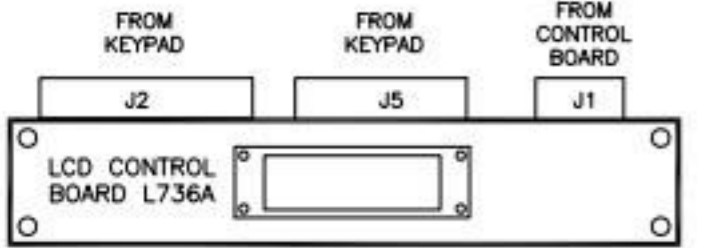
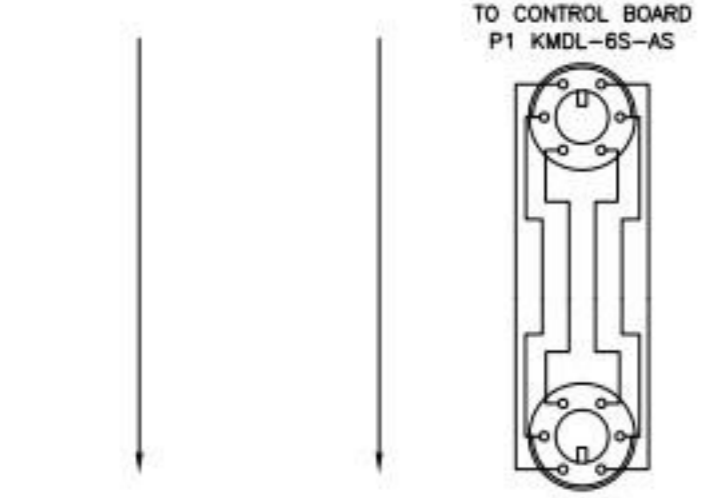
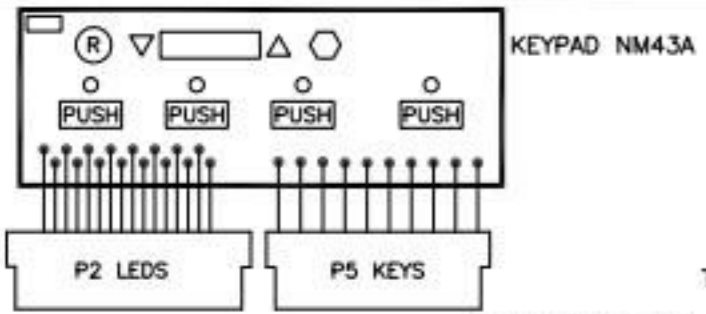
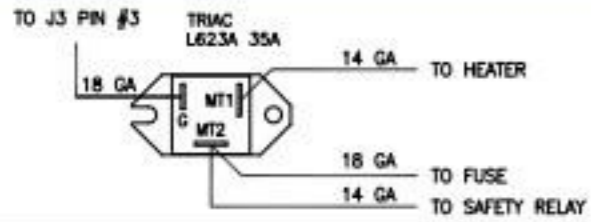
	C1	C2	C3	C4	C5	
R1	HW			CW		1
R2	1-1	2-1	3-1	RINSE		2
R3	1-2	2-2	3-2	DOWN		3
R4	1-3	2-3	3-3	UP		4
R5	1-4	2-4	3-4	STOP	FF	6
	5	7	8	10	9	



120V

C	JL	03/26/08	ADDED OVER-FLOW HOSE CONNECTION TO PIN 19; REMOVED PIN 20 CONNECTION
B	GV	5/17/05	MODIFIED DISPLAY LIGHT
REV	BY	DATE	DESCRIPTION

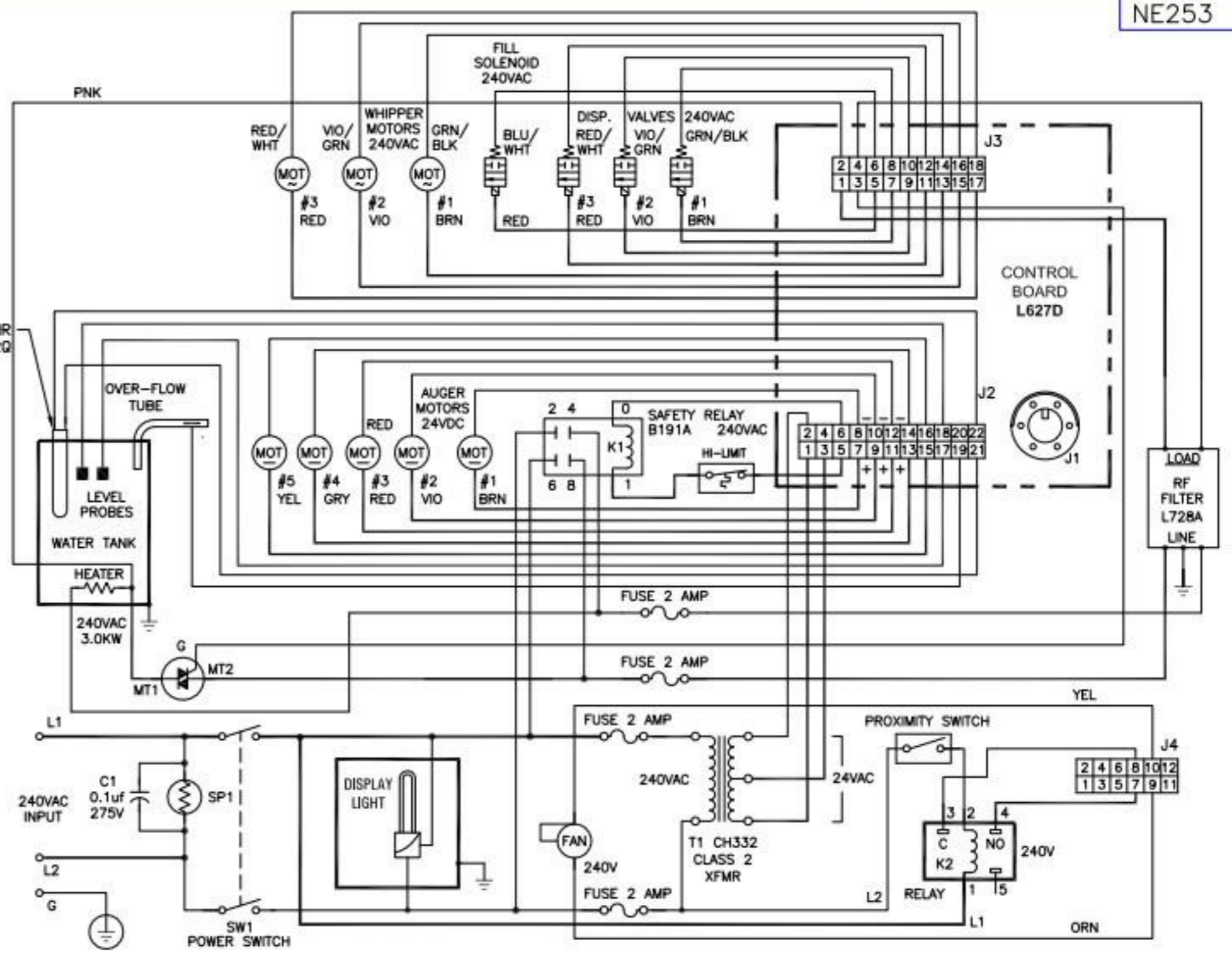
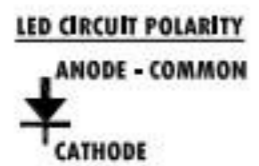
TOLERANCES ON DIMENSIONS NOT OTHERWISE SPECIFIED	FINISHED DECIMAL FRACTIONAL ANGULAR	MATERIAL	APPROVED BY	DATE	PART NO
	✓ ±.005 ±1/64 ±1/2"				NE239
DO NOT SCALE THIS DRAWING			DRAWN BY	DATE	SCALE
CECILWARE CORPORATION			M.M.	10/20/04	1 : 1
43-05 20 AVE. L.I.C. NY 11105					
TITLE ELECTRICAL DIAGRAM - 120V 1.8 KW (GB5MF-IT)			DRAWING NO		REV. C
			NE239		



LEDs PIN LAYOUT

CATH	CATH	CATH	CATH	CATH	CATH	CATH	CATH	CATH	CATH	CATH	CATH	CATH	CATH	CATH
ANODE	1-1	1-2	1-3	1-4	2-1	2-2	2-3	2-4	3-1	3-2	3-3	3-4		
	2	3	4	5	6	7	8	9	10	11	12	13	14	15

	C1	C2	C3	C4	C5	
R1	HW			CW		1
R2	1-1	2-1	3-1	RINSE		2
R3	1-2	2-2	3-2	DOWN		3
R4	1-3	2-3	3-3	UP		4
R5	1-4	2-4	3-4	STOP	FF	6
	5	7	8	10	9	

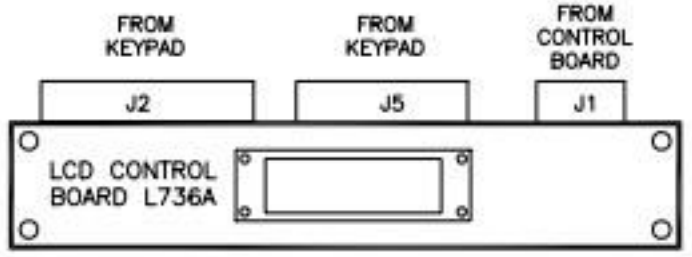
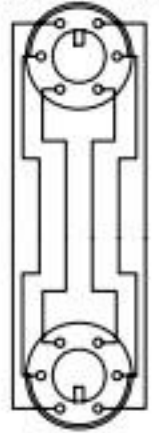
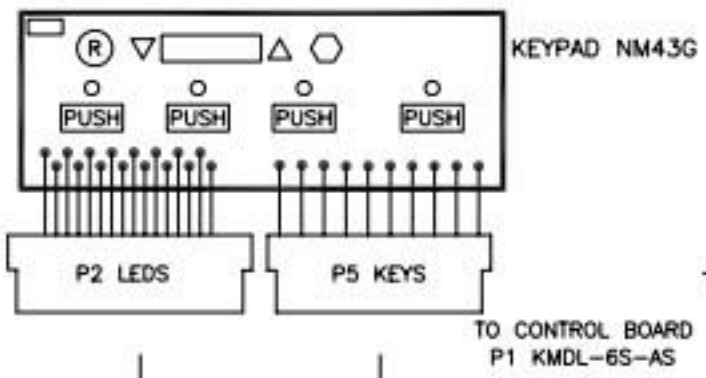
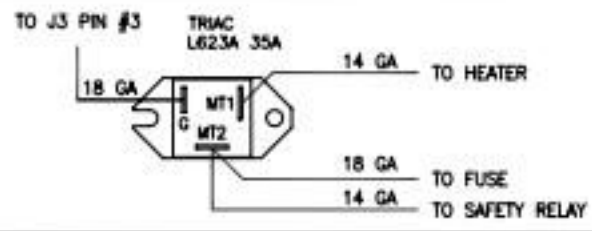


240V

REV	BY	DATE	DESCRIPTION
B	J.L.	3/17/08	REVISED
A	G.V.	3/3/08	REVISED

TOLERANCES ON DIMENSIONS NOT OTHERWISE SPECIFIED	FINISHED DECIMAL	FRACTIONAL	ANGULAR	MATERIAL	APPROVED BY	DATE	PART NO
	✓	±.005	±1/64	±1/2			NE253
DO NOT SCALE THIS DRAWING				DRAWN BY	M.M.	DATE	6/13/05
				SCALE	1 : 1		

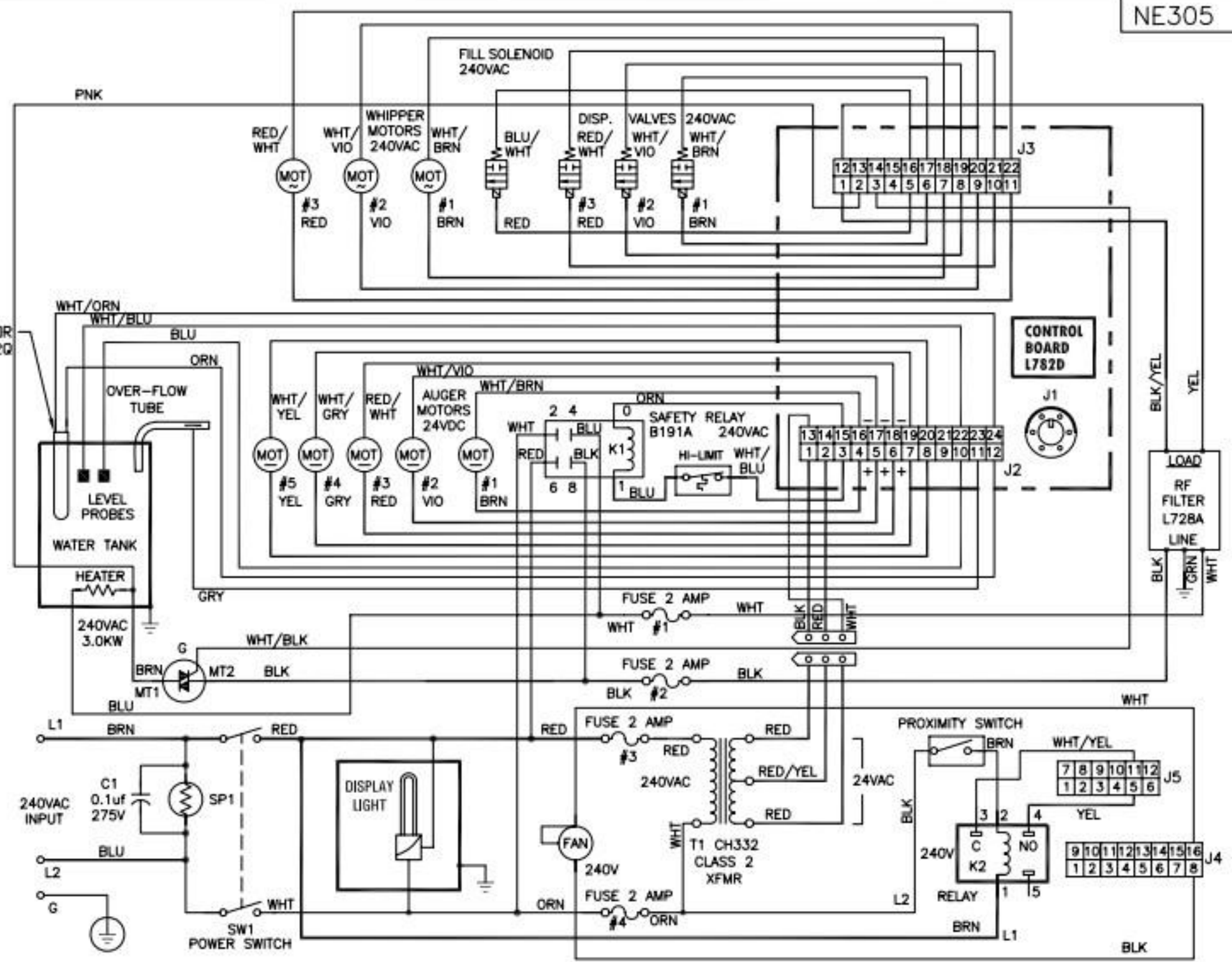
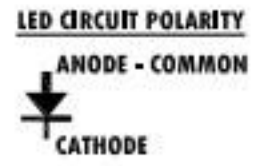
CECILWARE CORPORATION 43-05 20 AVE. L.I.C. NY 11105



LEDs PIN LAYOUT

CATH	CATH	CATH	CATH	CATH	CATH	CATH	CATH	CATH	CATH	CATH	CATH	CATH	CATH	CATH
ANODE	1-1	1-2	1-3	1-4	2-1	2-2	2-3	2-4	3-1	3-2	3-3	3-4		
	2	3	4	5	6	7	8	9	10	11	12	13	14	15

	C1	C2	C3	C4	C5	
R1	HW			CW		1
R2	1-1	2-1	3-1	RINSE		2
R3	1-2	2-2	3-2	DOWN		3
R4	1-3	2-3	3-3	UP		4
R5	1-4	2-4	3-4	STOP	FF	6
	5	7	8	10	9	



240V

REV	BY	DATE	DESCRIPTION

TOLERANCES ON DIMENSIONS NOT OTHERWISE SPECIFIED	FINISHED DECIMAL ±.005	FRACTIONAL ±1/64	ANGULAR ±1/2°	MATERIAL
DO NOT SCALE THIS DRAWING				APPROVED BY
DRAWN BY J.L.		DATE 02/04/09	PART NO NE305	SCALE 1:1
CECILWARE CORPORATION 43-05 20 AVE. L.I.C. NY 11105				
TITLE ELECTRICAL DIAGRAM-240V/3.0KW W/ 6-CHANNEL BOARD (GB5MF-IT)			DRAWING NO NE305	REV.