

HEAVY DUTY ELECTRIC FOOD WARMER

Model HDEFW



Thank you for purchasing this product.
To ensure proper use, we recommend that you
read this instruction manual before operating the
unit.

GENERAL SPECIFICATIONS

Width: 14.5" Depth: 24.8" Height: 12.4"

ELECTRICAL SPECIFICATIONS

Volts	KW	Amps 1 Phase	Type Receptacle Req'd. 1 Phase Only
120	1.0	8.4	15A - 120V (NEMA 5 - 15R)
240	1.0	4.2	15A - 240V (NEMA 6 - 15R)

Cecilware sells value... Worldwide

Cecilware Corporation

43-05 20th Avenue, Long Island City, NY 11105-1295

718-932-1414 Fax: 718-932-7860

800-935-2211 E-Mail: customer.service@cecilware.com www.cecilware.com



Operation Manual
NQ19A December 2006

UNPACKING AND INSPECTION:

Carefully lift Warmer out of shipping container, and inspect immediately for shipping damage. Install 4-inch legs as follows: Remove the legs from plastic shipping bag, turn Warmer on its back and screw legs into the four holes provided in bottom.

NOTE: Your heavy-duty commercial Warmer was shipped in a carton designed to give it maximum protection in normal handling. It was thoroughly inspected before leaving the factory and the carrier accepted and signed for it. File any claims for shipping damage or irregularities directly with the carrier, not with company.

Level unit by screwing legs up or down as necessary. Be certain that all protective plastics and residues are thoroughly cleaned from its surface.

Insert Line Cord plug into appropriate NEMA receptacle as specified.

NOTE: A separate circuit should be supplied for each of these warmers with a matched circuit breaker or fuse. Check local codes for compliance in installation.

WARNING: WARRANTY IS VOID IF WARMER IS CONNECTED TO ANY VOLTAGE OTHER THAN THAT SPECIFIED.

WARNING: INSTALL WARMER AT LEAST 1" FROM WALL. DO NOT OPERATE WARMER UNLESS LEGS ARE INSTALLED.

**** PACKAGING ****

Cecilware prides itself on quality and service, ensuring that at the time of packing all products are supplied fully functional and free of damage.

Provided in this package are the following:

- * Warmer
- * 4 Inch Legs
- * Manual

**** OPERATION ****

Fill the Warmer pan with 4 quarts of water. **Do not** overfill; under no circumstances, should the food pans float. If this occurs, remove excess water. It is recommended to use fresh clean water for each use.

To switch on, simply turn the temperature dial clockwise to the desired setting. The amber light will glow to indicate the unit is on. To turn off, simply turn the temperature dial counter clockwise to the 0 setting. It is recommended that the thermostat be set to the maximum heat (1 full turn clockwise) for pre-heating the warmer. An operating setting of 165 - 170° F should be sufficient once the unit is pre-heated.

NOTE: Do not lift, move or carry the warmer when on; nor should you move the unit when it contains food or water.

**** CLEANING INSTRUCTIONS ****

Switch off the power and disconnect from the source. Ensure that the unit is always switched off and unplugged while cleaning, maintaining, or moving.

The Warmer should be cleaned after each day's operation; however, additional cleaning may be required depending on daily use.

Before cleaning, allow the warmer to cool down, empty the water basin, and clean after each use. Pans and lids can be removed to be cleaned. The Warmer can be wiped down with a damp cloth. **Do not** immerse the Warmer in water or use hose to clean.

Warm soapy water is recommended for cleaning. Cleaning agents may cause damage when used for a prolonged period on stainless steel.

**** SAFETY NOTICE ****

A Cecilware Recommended Qualified Service Technician should carry out repairs if necessary.

Switch off power to and disconnect from the outlet when cleaning, maintaining or moving.

To avoid over-heating or damage to the element, this unit has been installed with a Hi Limit. If the Hi Limit is tripped, please call a Recommended Qualified Service Technician to check over the warmer, repair if needed and reset the Hi Limit.

**** TROUBLESHOOTING ****

If your Cecilware Warmer does not operate, please check the following before placing a service call.

Please ensure:

*There is correct power supply.

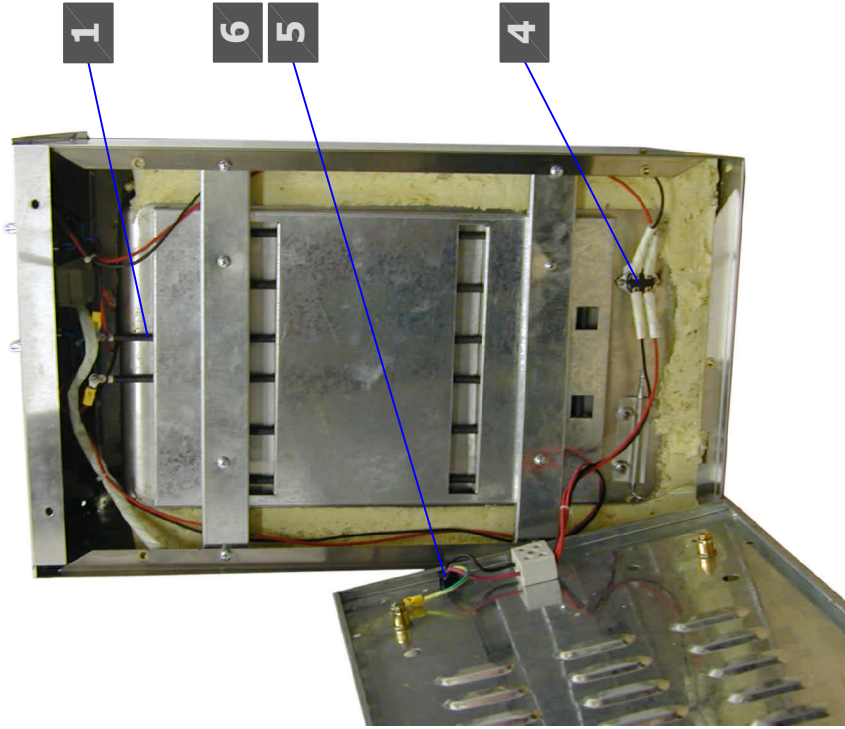
*The machine is plugged in correctly and power is switched on.

*The thermostat dial has been turned on.

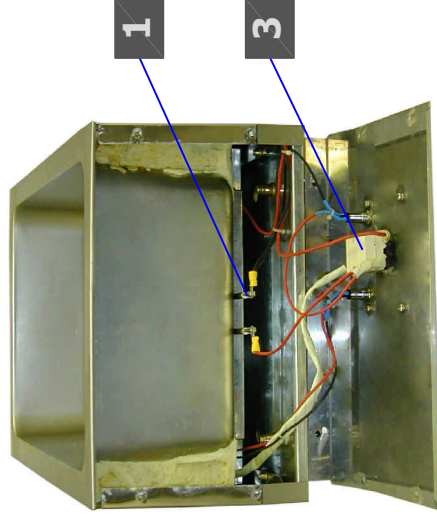
Note: All Cecilware products are tested prior to packing.

A circuit diagram has been provided to assist qualified technicians. A Recommended Qualified Service Technician should carry out repairs if needed. Do not remove any components or service panels on this product.

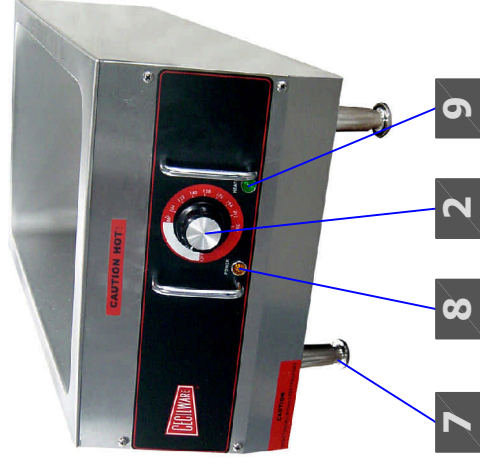
HEAVY DUTY ELECTRIC FOOD WARMER



BOTTOM COVER REMOVED



FRONT COVER REMOVED

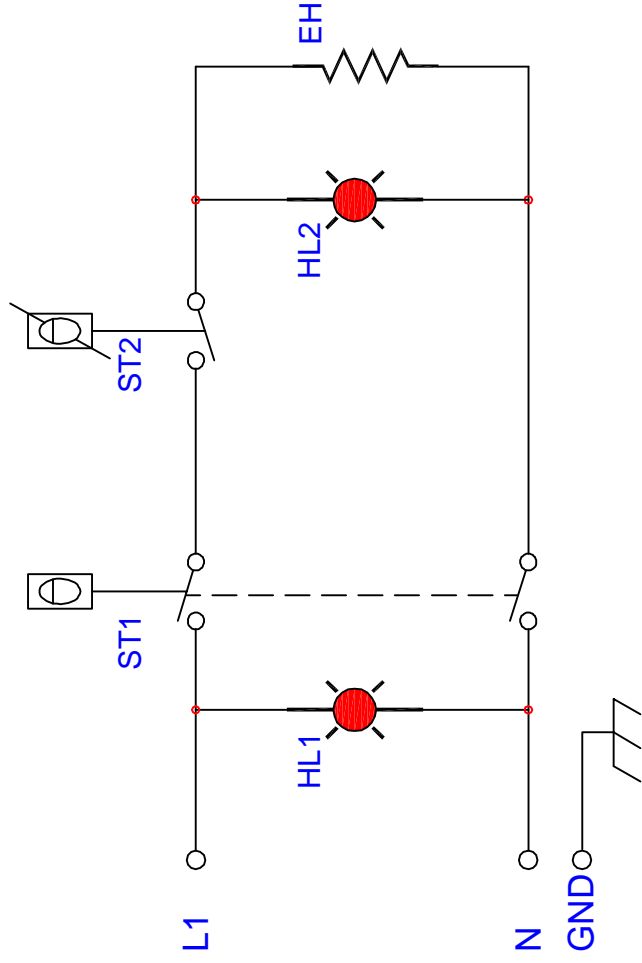


**** SPARE PARTS LIST ****

Item	Part No.	Description	QTY
1	02321	Heating Element	1
2	02322	Thermostat knob	1
3	02323	Thermostat	1
4	02324	Hi-Limit	1
5	C032A	Power Cord 15Amp - 120V	1
6	C770A	Power Cord 15Amp - 240V	1
7	02326	4" Adjustable legs (set of 4)	1
8	02305	Indicator Light - Amber	1
9	02306	Indicator Light - Green	1

HEAVY DUTY ELECTRIC FOOD WARMER WIRING DIAGRAMS

HDEFW FOOD WARMER
(120V 60Hz 1kW)



HL1:POWER LED HL2:HEATING LED EH:HEATING ELEMENT
ST1:UNADJUSTABLE THERMOSTAT ST2:THERMOSTAT