

SECTION 2. PARTS INFORMATION

2-1. INTRODUCTION

This section identifies and lists the replaceable parts of the Henny Penny Multipurpose Holding Cabinets.

2-2. GENUINE PARTS

Use only genuine Henny Penny parts in your cabinet. Using a part of lesser quality or substitute design may result in cabinet damage or personal injury.

2-3. HOW TO ORDER

Once the part you want to order has been found in the Parts

List, write down the following information:

1. From the Parts List:

(Sample)

| | |
|-------------|------------------------|
| Item Number | <u>1</u> |
| Part Number | <u>51718</u> |
| Description | <u>Gasket – Drawer</u> |

2. From the data plate:

(Sample)

| | |
|----------------|--------------|
| Product Number | <u>05882</u> |
| Serial Number | <u>0001</u> |
| Voltage | <u>120V</u> |

2-4. PRICES

Your independent Henny Penny distributor has a price parts list and will be glad to inform you of the cost of your parts order.

2-5. DELIVERY

Commonly replaced items are stocked by your independent Henny Penny distributor and will be sent out when your order is received. Other parts will be ordered by the distributor from Henny Penny Corporation. Normally, these will be sent to your distributor within three working days.

2-6. WARRANTY

All replacement parts (except lamps and fuses) are covered under warranty for 90 days against manufacturing defects and workmanship. If damage occurs during shipping, notify the carrier at once so that a claim may be properly filed. Refer to warranty on the front of this section for other rights and limitations.

2.7. RECOMMENDED SPARE PARTS FOR DISTRIBUTORS

Recommended replacement parts, stocked by your distributor, are indicated with √ in the parts lists. Please use care when ordering recommended parts, because all voltages and variations are marked. Distributors should order parts based upon common voltages and equipment sold in their territory.

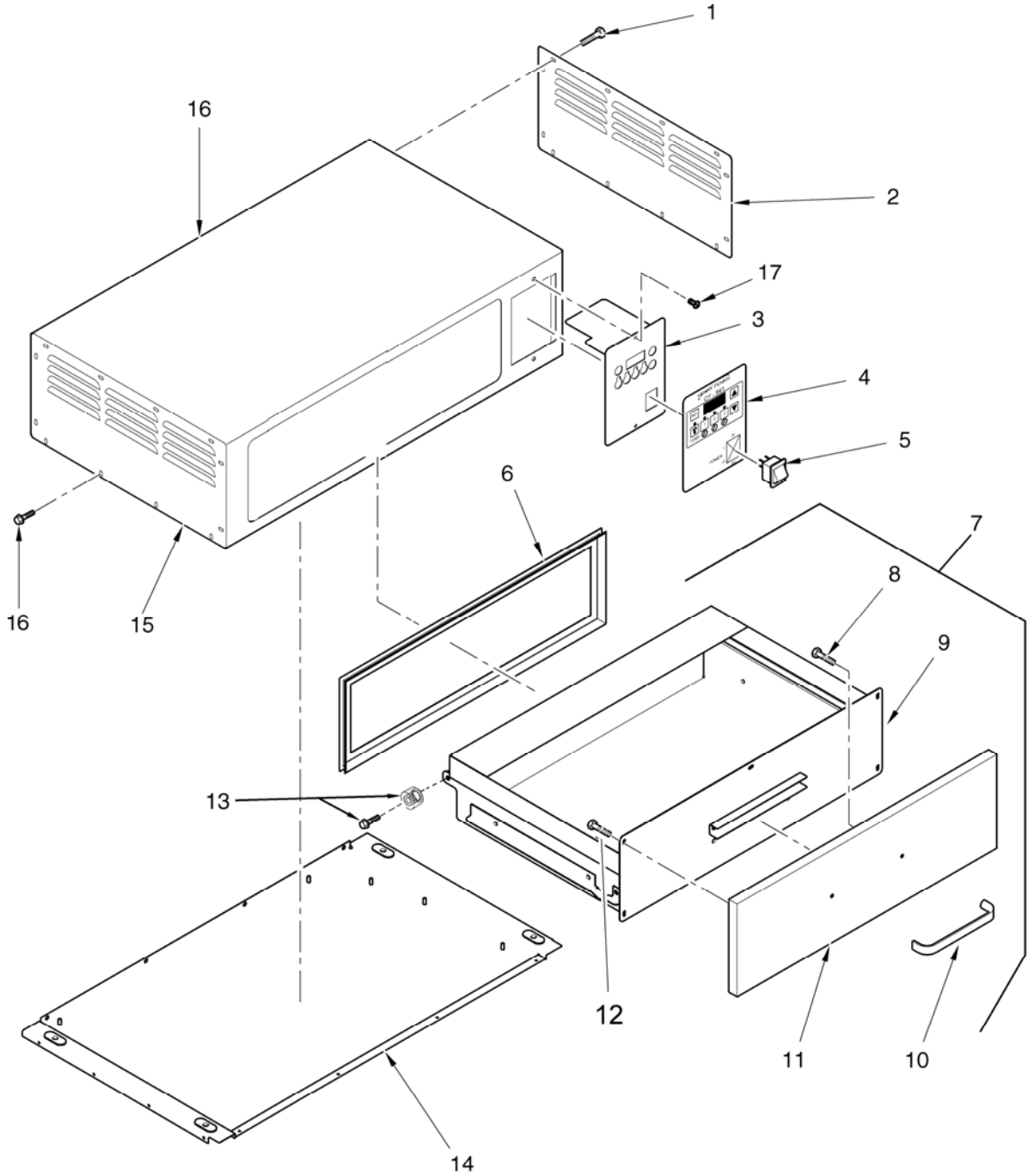


Figure 2-1. Drawer and Shell

| FIG. & ITEM NO. | PART NO. | DESCRIPTION | Qty. |
|--------------------|-------------|-----------------------------------|------|
| 2-1 | | DRAWER AND SHELL | |
| 1 | SC01-034 | SCREW | 10 |
| 2 | 54432 | PANEL - RH ACCESS | 1 |
| 3 | 51545 | CONTROL PANEL STUD ASSY. | 1 |
| 4 | 51562 | DECAL - CONTROL | 1 |
| √ 5 | 43768 | POWER SWITCH | 1 |
| √ 6 | 51718 | GASKET - DRAWER | 1 |
| 7 | 52668 | DRAWER ASSY.- NO VENT | 1 |
| 8 | SC01-144 | . SCREW | 2 |
| 9 | 52670 | . WELD ASSY - DRAWER | 1 |
| 10 | 31395 | . DRAWER HANDLE | 1 |
| 11 | 14716 | . KIT - DRAWER FRONT | 1 |
| 12 | SC01-074 | SCREW - #10-32 X ½ PH THD S | 5 |
| √ 13 | 14113 | . BEARING KIT | 1 |
| 14 | 52645 | BASE ASSY. | 1 |
| 15 | 54434 | PANEL - ACCESS - LH | 1 |
| 16 | SC01-034 | SCREW | 10 |
| 17 | 52654 | SHELL ASSY. | 1 |
| 18* | 52658 | INSULATION - LINER - REAR - UPPER | 1 |
| 19* | 52659 | INSULATION - LINER BOTTOM | 1 |
| 20* | 52660 | INSULATION - SHELL - TOP | 1 |
| 21* | 53661 | INSULATION - LEFT SIDE | 1 |
| 22* | 63835 | INSULATION - LINER SIDE | 1 |
| 23* | 52663 | INSULATION - RIGHT SIDE | 1 |
| 24* | 51471 | INSULATION - LINER - REAR - LOWER | 1 |
| 25* | 51474 | INSULATION - LINER - TOP | 1 |
| 26* | 52093 | INSULATION - TOP - LINER - FRONT | 1 |

√ recommended parts
 *not shown

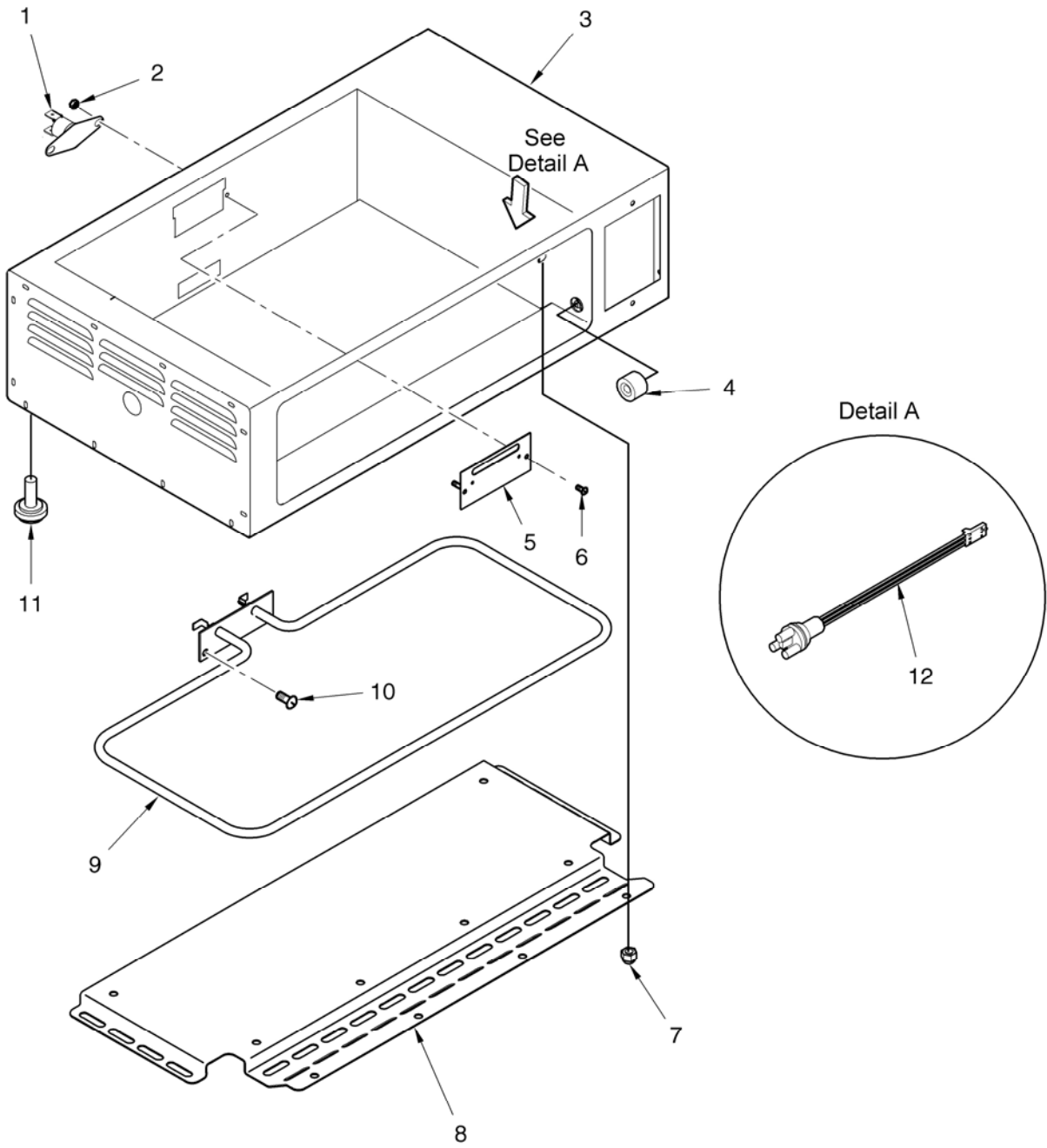


Figure 2-2. Heater and High Limit

| FIG. & ITEM NO. | PART NO. | DESCRIPTION | Qty. |
|--------------------|-------------|---|------|
| 2-2 | | HEATER AND HIGH LIMIT | |
| √ 1 | 18201 | HIGH LIMIT - 335° F (BEHIND HEATER PLATE) | 1 |
| 2 | NS02-005 | NUT | 2 |
| 3 | 54583 | LINER WELD ASSY. | 1 |
| √ 4 | 14113 | BEARING KIT | 1 |
| 5 | 51951 | BRACKET – HEATER (BEFORE SN: GA0407031) | 1 |
| 6 | SC01-034 | SCREW | 2 |
| 7 | NS03-024 | ACORN NUT | 3 |
| 8 | 54465 | DEFLECTOR – HEAT (BEFORE APRIL 1, 2001) | 1 |
| 8 | 71001 | DEFLECTOR – HEAT (APRIL 1, 2001 & AFTER) | 1 |
| √ 9 | 51796 | HEATER - 475 W. - 120 V. | 1 |
| 10 | SC02-041 | SCREW | 2 |
| 11 | 26411 | FOOT | 4 |
| √ 12 | 52100 | TEMPERATURE SENSOR ASSY. | 1 |
| 13* | NS02-002 | NUT | 4 |
| 14* | 05031 | 1/3 SIZE PAN | 2 |
| 15* | 05208 | 1/6 SIZE PAN | 2 |
| 16* | 44341 | PAN INSERT - 1/3 SIZE | 2 |
| 17* | 48001 | PAN INSERT - 1/6 SIZE | 2 |

√ recommended parts

*not shown

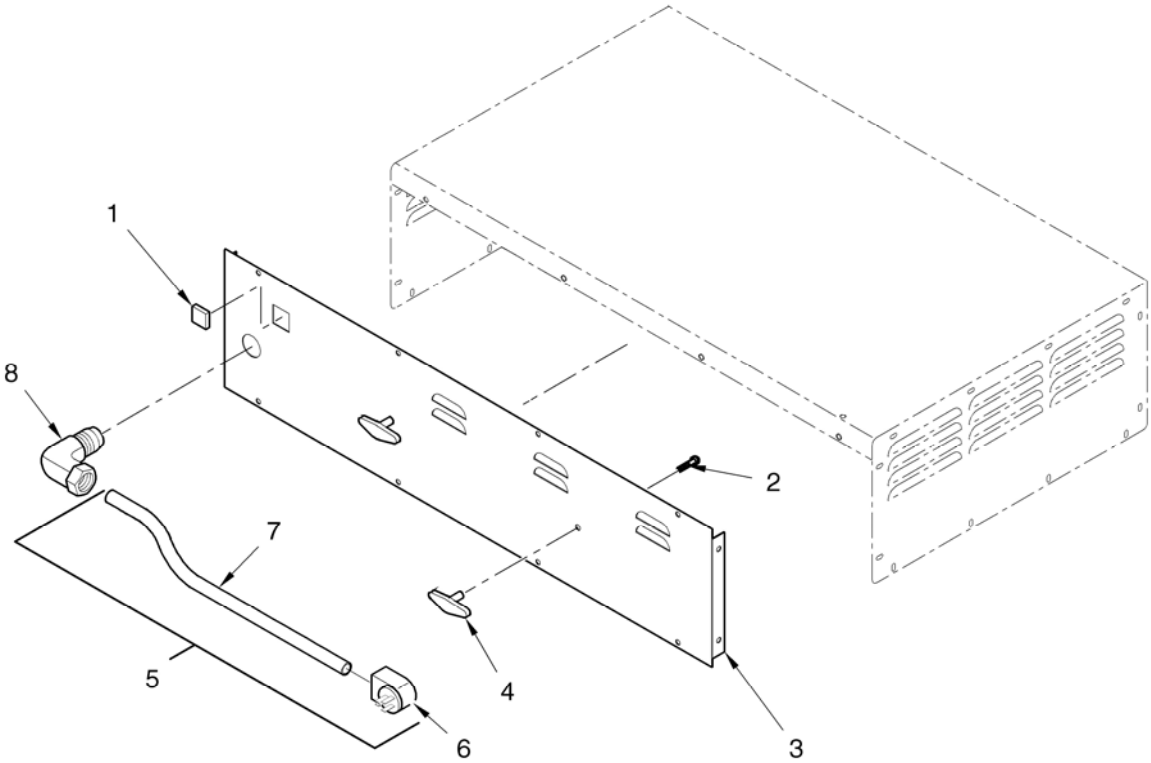


Figure 2-3. Rear Panel

| FIG. & ITEM NO. | PART NO. | DESCRIPTION | Qty. |
|--------------------------------|---------------------|----------------------------------|-------------|
| 2-3 | | REAR PANEL | |
| 1 | MS01-197 | RECEPTACLE - NEMA 5-15 R | 1 |
| 2 | SC01-172 | SCREW | 2 |
| 3 | 54443 | PANEL - REAR ACCESS | 1 |
| 4 | 27645 | KNOB, CORD WRAP | 2 |
| 5 | 54502 | POWER CORD ASSY. | 1 |
| 6 | 40298 | . PLUG - ANGLED - 125 V.- 15 AMP | 1 |
| 7 | 54501 | . POWER CORD | 1 |
| 8 | 27639 | STRAIN RELIEF | 1 |

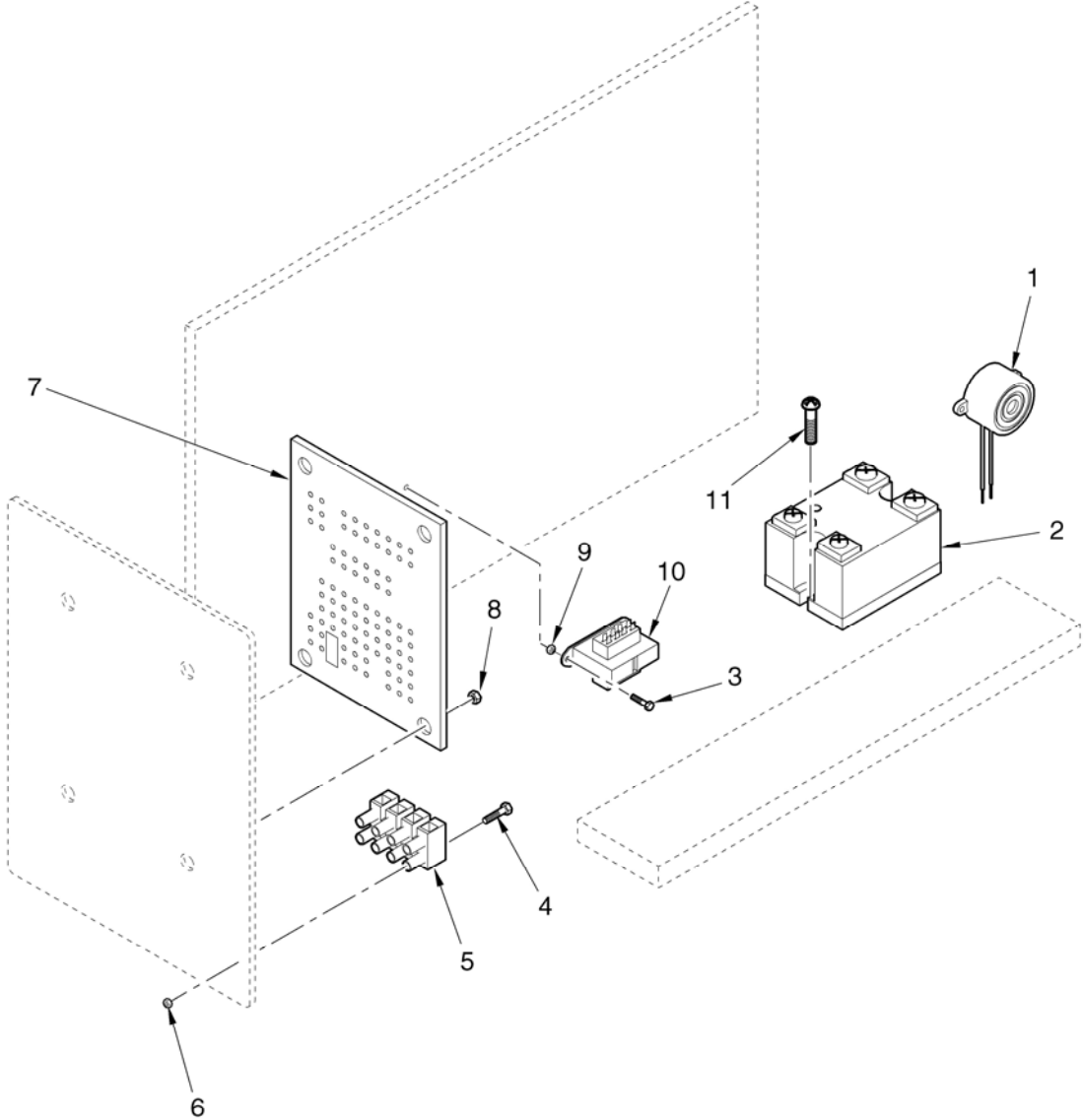


Figure 2-4. Electrical Parts

| FIG. & ITEM NO. | PART NO. | DESCRIPTION | Qty. |
|--------------------|-------------|---------------------|------|
| 2-4 | | ELECTRICAL PARTS | |
| √ 1 | 52664 | BUZZER | 1 |
| √ 2 | 40645 | RELAY | 1 |
| 3 | SC01-034 | SCREW | 2 |
| 4 | SC01-053 | SCREW | 3 |
| 5 | 32871 | TERMINAL BLOCK | 1 |
| 6 | NS02-007 | NUT | 3 |
| √ 7 | 51103RB | PC BOARD 1 | |
| 8 | NS02-005 | NUT | 4 |
| 9 | NS02-007 | NUT | 2 |
| √ 10 | 30978 | TRANSFORMER - 12VAC | 1 |
| 11 | SC04-003 | SCREW | 2 |

√ recommended parts
 *not shown

