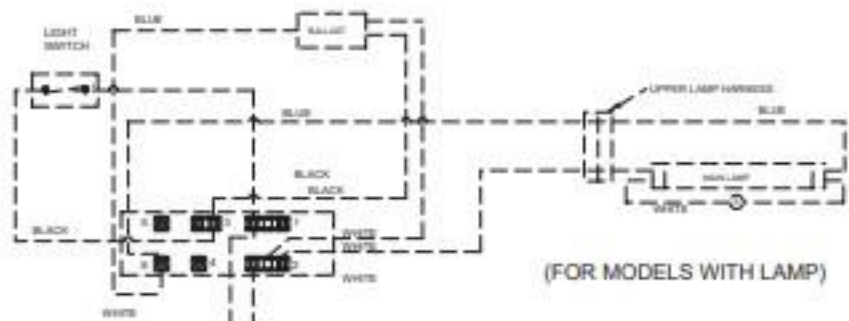
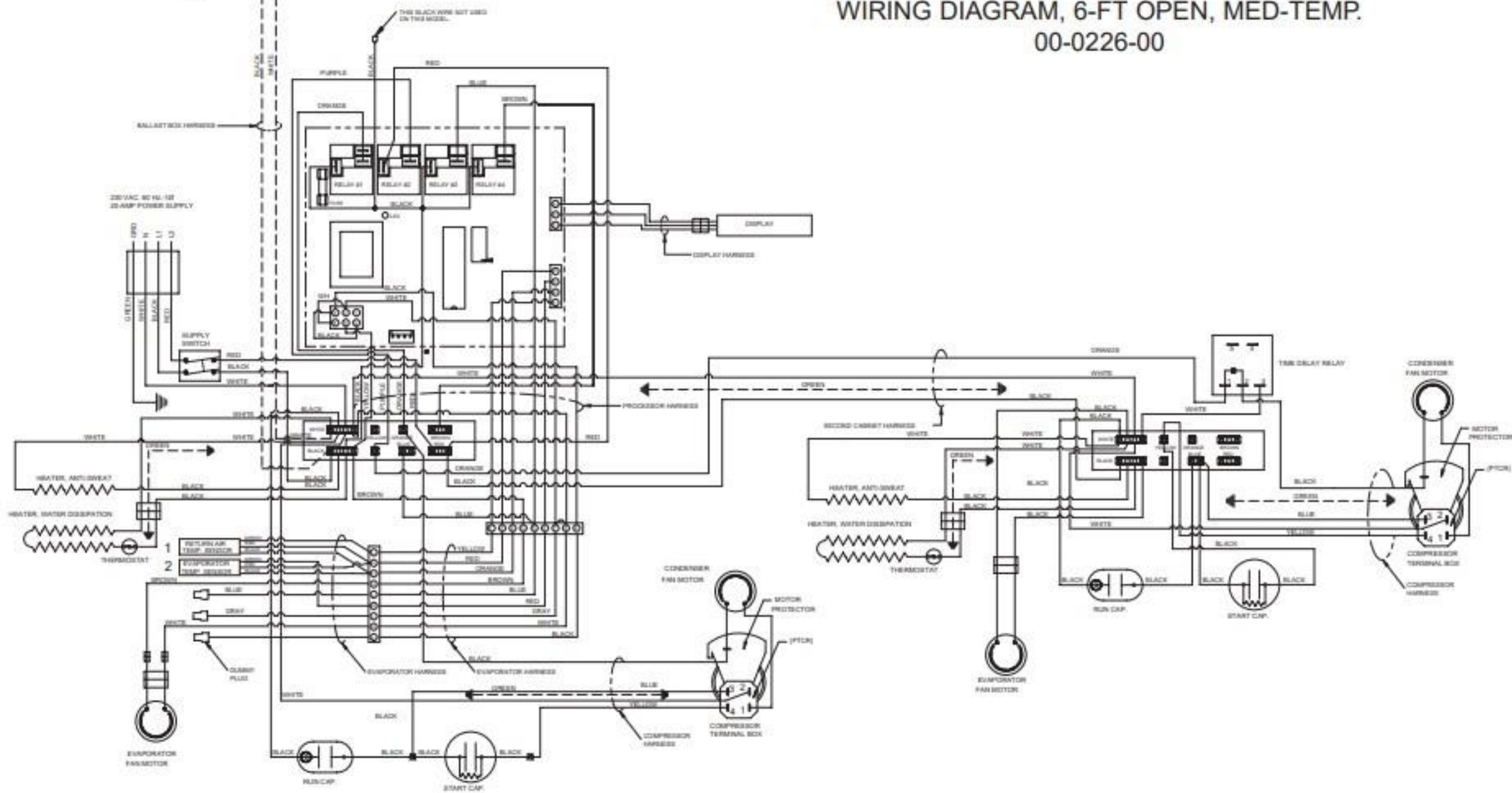
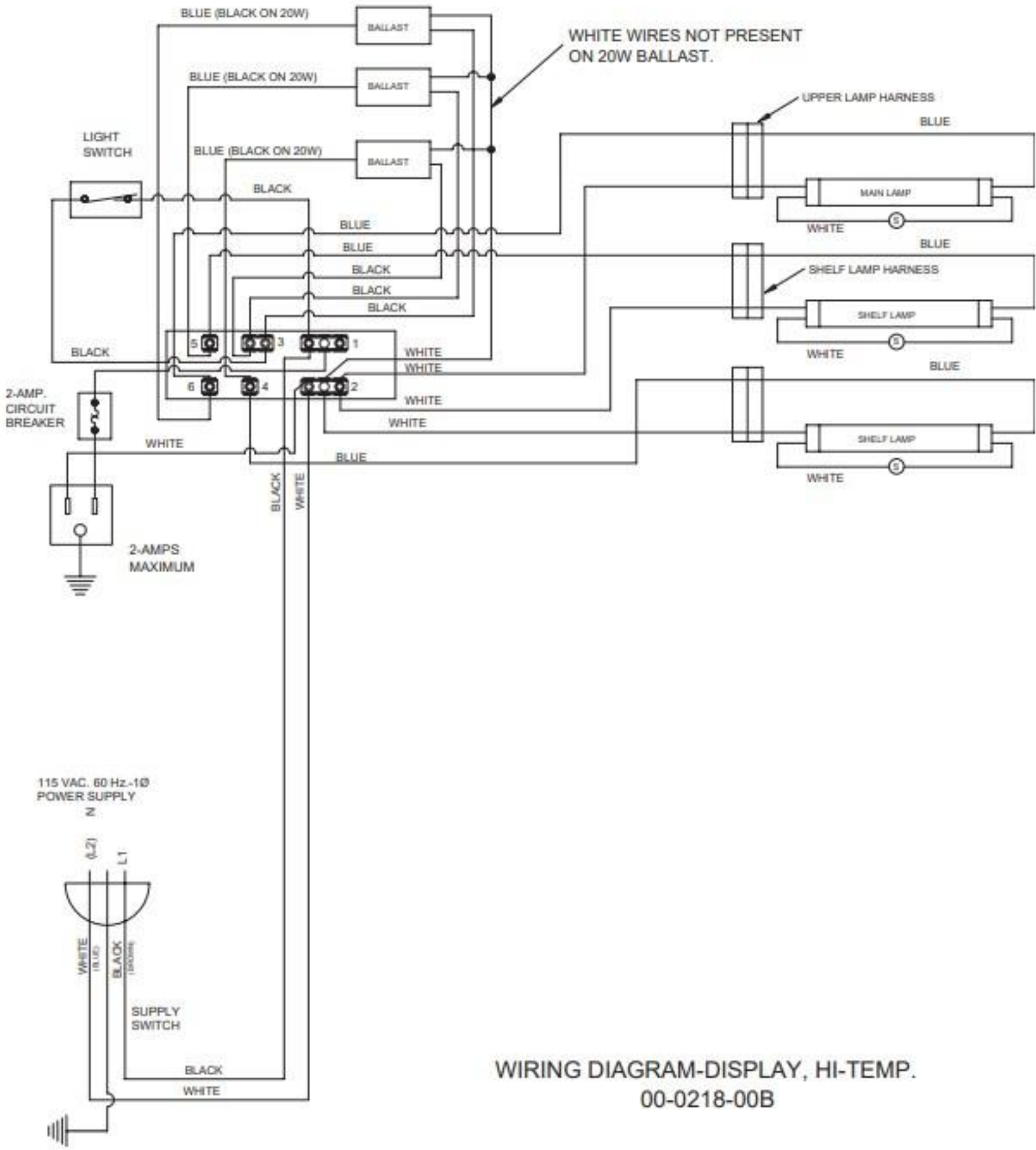


WIRING DIAGRAM, 6-FT DISPLAY, MED-TEMP.
 00-0225-00



WIRING DIAGRAM, 6-FT OPEN, MED-TEMP. 00-0226-00





WHITE WIRES NOT PRESENT ON 20W BALLAST.

UPPER LAMP HARNESS

BLUE

MAIN LAMP

WHITE

BLUE

SHELF LAMP HARNESS

SHELF LAMP

WHITE

BLUE

SHELF LAMP

WHITE

LIGHT SWITCH

2-AMP. CIRCUIT BREAKER

2-AMPS MAXIMUM

115 VAC. 60 Hz-1Ø POWER SUPPLY

N

(L2)

L1

WHITE (L2)

BLACK (L1)

SUPPLY SWITCH

BLACK

WHITE

WIRING DIAGRAM-DISPLAY, HI-TEMP.

00-0218-00B

