

# Wall Mounted – Exposed Faucets Installation Instructions

Recommended for installation of wall-mounted Chicago Faucets, including base fittings: 305, 332, 445, 540/640, 631, 814/815, 886.

## Overview

Chicago Faucets wall mounted faucets feature cast brass bodies and precision cartridges for years of reliable operation.

## Notice to the Installer

- Read this entire instruction sheet before installing to ensure proper installation.
- Installation must comply with local codes and ordinances.
- For fittings installed with pre-rinse or glass filler valves, check valves must be installed to prevent crossflow.

Pressurized plumbing fixtures shall be installed in accordance with manufacturer's recommendations. The supply piping to these devices shall be securely anchored to the building structure to prevent installed device from unnecessary movement when operated by the user. Care shall be exercised when installing the device to prevent marring the exposed surface.

NOTE: The information in this manual is subject to change without notice.

Please leave this manual with the facility manager after completing the faucet installation. This document contains information necessary for routine maintenance and servicing.

NOTE: Before installation, turn off water supplies. Clean faucet basin and clear away debris. Flush all supply lines before connecting to faucet. Failure to do so can result in debris clogging the inlets and/or cartridges.

## Wall Mount Single-Supply Sink Fittings

These Installation instructions apply to wall-mounted Chicago Faucets with a single supply connection.

1. Tighten fitting securely to water supply using suitable pipe sealant.
2. After completion of installation, remove aerator (if supplied) and flush lines and faucet for approximately one minute.

## Wall Mount Dual-Supply Sink Fittings

These Installation instructions apply to wall-mounted Chicago Faucets with dual supply connections.

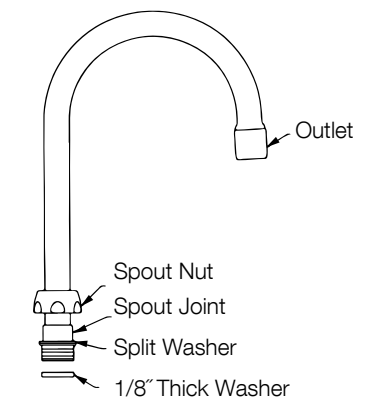
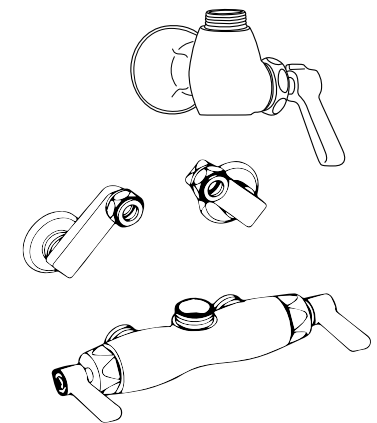
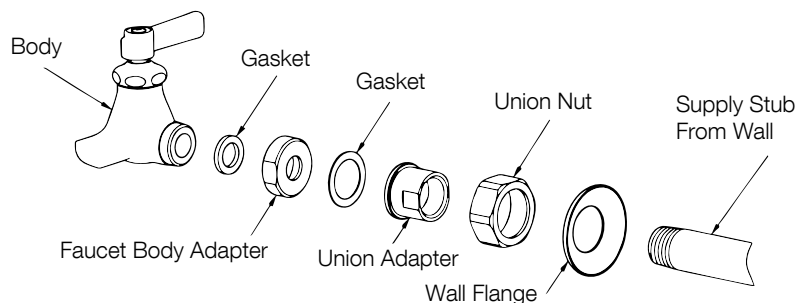
1. Assemble trim flanges over pipes.
2. Secure supply arms to piping. Position them as close as possible to desired location to mount faucet.
3. Flush supply lines.
4. Adjust supply arms to desired centers, making sure gaskets are in place.
5. Tighten arms to body with a 12" crescent wrench, make sure fitting is level.
6. After completion of installation, remove aerator (if supplied) and flush faucet for approximately one minute.
7. If faucet is supplied with integral stops, confirm that both stops are fully open. Stops can be accessed using a screwdriver at the bottom of the body.

## Spouts - Rigid/Swing Conversion Gooseneck and Vacuum Breaker Gooseneck

1. If spout nut is NOT assembled to spout, remove outlet and assemble spout nut over outlet end, then run spout nut down until it sits on shoulder of spout joint. Reassemble outlet.
2. FOR RIGID SPOUTS: Place 1/8" thick plastic washer into spout base bore and discard plastic split washers.
3. Assemble spout assembly into spout base and tighten spout nut.

## 8" CC - 3/4 NPT Wall Mounted Sink Fittings Using Union Adapter Components

1. Assemble the wall flanges over the supply pipe stub-out.
2. Assemble union adapters and union nuts, tighten union adapters to supply pipes.
3. Assemble external threaded faucet body adapters to body inlets, make sure gaskets are in place.
4. Put gasket on union adapter with very light coating of lubricant to make it stay in place as the completed faucet is attached to the union nuts.
5. Tighten firmly to assure leak free joint.



# Atmospheric Vacuum Breaker Installation Instructions

For use with 892 and 893 Series vacuum breakers and Chicago Faucets gooseneck spouts that include these components

## Overview

Installation and maintenance instructions for Chicago Faucets atmospheric vacuum breakers and fittings which incorporate these devices.

## Application

Atmospheric vacuum breakers are designed to prevent back siphonage of contaminated water into a water supply. Atmospheric vacuum breakers are not recommended for use under continuous pressure and are designed to provide back flow prevention due to back pressure, even though a check valve may be present.

## Installation

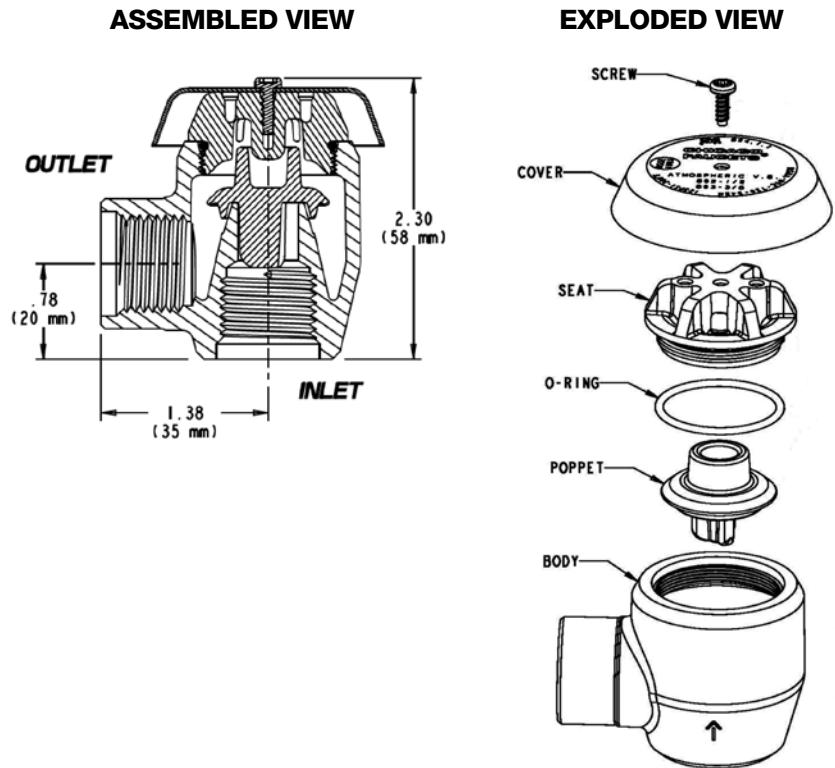
Atmospheric vacuum breakers must be installed between the discharge side of the control valve of the fixture and outlet. For proper operation there must be no shut-off or control valve downstream of the vacuum breaker outlet. Atmospheric vacuum breakers should be located not less than six inches above the flood rim, overflow or highest point of downstream piping and/or hose. Atmospheric vacuum breakers must be located in an area to allow for inspection and can be readily serviced. This device may spill water and should be installed where water spillage is not objectionable or will not cause damage.

## Important

Installation of atmospheric vacuum breakers may be subject to local installation requirements by governing authorities.

## Maintenance

1. Remove cover screw and lift off cover.
2. Turn off supply pressure and observe poppet drop in open-air inlet.
3. If this does not occur or valve has been constantly discharging, replace components.
4. Replace poppet, seat and o-ring.
5. Restore pressure and retest using step 2 and 3.
6. Reassemble cover and screw, then restore pressure.



## Care and Maintenance

All Chicago Faucets fittings are designed and engineered to meet or exceed industry performance standards. Care should be taken when cleaning this product. Do not use abrasive cleaners, chemicals or solvents as they can result in surface damage. Use mild soap with warm water for cleaning and protecting the surface of Chicago Faucets fittings.

*For additional technical assistance, call 800/TEC-TRUE (800-832-8783) or visit our website at [chicagofaucets.com](http://chicagofaucets.com).*

## CHICAGO FAUCETS LIMITED WARRANTY

**TO WHOM DOES THIS WARRANTY APPLY?** — The Company extends the following limited warranty to the original user only.

### WHAT DOES THIS WARRANTY COVER AND HOW LONG DOES IT LAST?

This warranty covers the following Commercial Products:

**LIFETIME FAUCET WARRANTY** — The "Faucet," defined as any metal cast, forged, stamped or formed portion of the Product, not including electronic or moving parts or other products separately covered by this Limited Warranty or water restricting components or other components, is warranted against material manufacturing defects for the life of the Product.

**FIVE YEAR FAUCET WARRANTY** — Certain Products and portions of the Product are warranted against material manufacturing defects for a period of five (5) years from the date of Product purchase. Products warranted against material manufacturing defects for a period of five (5) years from the date of Product purchase are referred to by the product numbers 42X, 43X, 15XX and E-Tronic™ - 4X, 5X, 6X, 7X, 8X and 9X. All zinc die cast portions of Product are warranted against material manufacturing defects for a period of five (5) years from the date of Product purchase.

**THREE YEAR ELECTRONICS WARRANTY** — Electronic components, including the solenoid, are warranted for three (3) years from the date of installation.

**FIVE YEAR CARTRIDGE WARRANTY** — The "Cartridge", defined as the metal portion of any Product typically referred to by the product numbers containing 1-099, 1-100, 1-310, 377X, 217X and 274X, excluding any rubber or plastic components, is warranted against material manufacturing defects for a period of five (5) years from the date of Product purchase. All Cartridges included in the Company's Single Control or Shower Products also are warranted against material manufacturing defects for a period of five (5) years from the date of Product purchase.

**ONE YEAR FINISH WARRANTY - COMMERCIAL** — For Products used in commercial applications, the finish of the Product is warranted against material manufacturing defects for a period of one (1) year from the date of Product purchase.

**OTHER WARRANTIES** — All other Products not covered above are warranted against material manufacturing defects for a period of one (1) year from the date of Product purchase.

Other restrictions and limitations apply. For complete warranty details, call Chicago Faucets Customer Service at 847-803-5000 or visit [chicagofaucets.com](http://chicagofaucets.com).

The Chicago Faucet Company  
2100 South Clearwater Drive  
Des Plaines, IL 60018  
Phone: 847/803-5000  
Fax: 847/803-5454  
Technical: 800/832-8783  
[www.chicagofaucets.com](http://www.chicagofaucets.com)