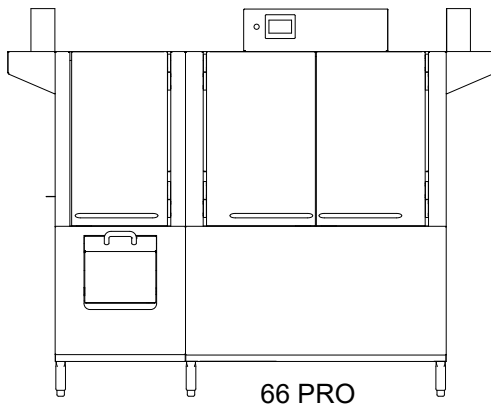
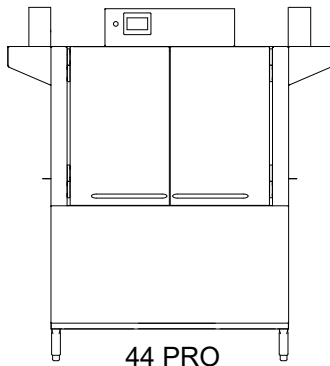


# Champion®

## Service Replacement Parts



### PRO Series Standard and Ventless Heat Recovery Rack Conveyor Dishwashers

#### Standard Models

|          |          |        |
|----------|----------|--------|
| 44 PRO   | 54 PRO   | 66 PRO |
| 66FF PRO | 76 PRO   |        |
| 76FF PRO | 80HD PRO |        |

#### VHR Models

|              |              |              |
|--------------|--------------|--------------|
| 44 PRO-VHR   | 54 PRO-VHR   | 66 PRO-VHR   |
| 76 PRO-VHR   | 66FF PRO-VHR | 76FF PRO-VHR |
| 80HD PRO-VHR |              |              |



[www.championindustries.com](http://www.championindustries.com)

Issue Date: 4.24.24

**Manual P/N 117596 rev. -**

For machines beginning with S/N RP231114570 and above

3765 Champion Boulevard  
Winston-Salem, NC 27105  
(336) 661-1556 Fax: (336) 661-1660  
Toll-free: 1 (800) 858-4477

2674 N. Service Road, Jordan Station  
Ontario, Canada L0R 1S0  
(905) 562-4195 Fax: (905) 562-4618  
Toll-free: 1(800) 263-5798

Printed in USA



The Spirit of Excellence

## National Service Department

### In Canada:

Toll-free: 1 (800) 263-5798

Tel: (905) 562-4195

Fax: (905) 562-4618

email: [service@moyerdiebellimited.com](mailto:service@moyerdiebellimited.com)

### In the USA:

Toll-free: 1 (800) 858-4477

Tel: (336) 661-1556

Fax: (336) 661-1660

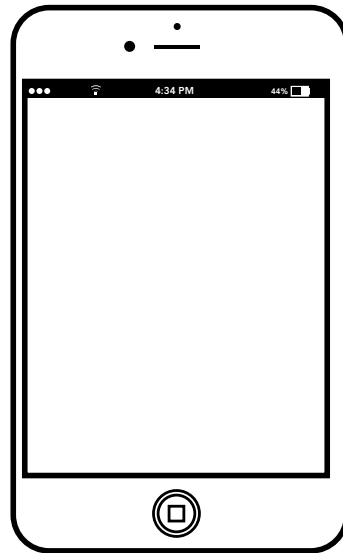
email: [service@championindustries.com](mailto:service@championindustries.com)

### ATTENTION:

The dishwasher model number, serial number, voltage, hertz and phase are needed to identify your machine. Please have this information on-hand if you call for service assistance.



# REGISTER YOUR PRODUCT and ACTIVATE YOUR WARRANTY.



- Use your mobile phone or computer and go to the website at [www.championindustries.com](http://www.championindustries.com) and register your product.
- or
- Scan the QR code <http://champdw.us/PRO> located near the data plate.

# PRODUCT REGISTRATION BY FAX

COMPLETE THIS FORM AND FAX TO:

(336) 661-1660 in the USA

1-(800) 204-0109 in Canada

## PRODUCT REGISTRATION CARD

Model

Serial #

Date of Installation: \_\_\_/\_\_\_/\_\_\_

Company Name: \_\_\_\_\_

Address: \_\_\_\_\_  
(Street) State/Province Zip/Postal Code

Telephone #: ( ) \_\_\_\_\_ --- \_\_\_\_\_

Contact: \_\_\_\_\_

Installation Company: \_\_\_\_\_

Address: \_\_\_\_\_

Telephone #: \_\_\_\_\_

Contact: \_\_\_\_\_

**FAILURE TO REGISTER YOUR PRODUCT MAY VOID YOUR WARRANTY**

**IMPORTANT IMPORTANT**

## Revision History

Specifications are subject to change based on continual product improvement. Equipment owners may request a revised manual, at no charge, by calling 1 (800) 858-4477 in the USA or 1(800) 263-5798 in Canada.

---

| <b>Revision Date</b> | <b>Revised Pages</b> | <b>Serial Number Effectivity</b> | <b>Description</b>      |
|----------------------|----------------------|----------------------------------|-------------------------|
| 4.24.24              | All                  | RP23114570                       | Released Second Edition |

---

## LIMITED WARRANTY

Champion Industries (herein referred to as "The Company"), 3765 Champion Blvd., Winston-Salem, North Carolina 27105, and 2674 N. Service Road, Jordan Station, Ontario, Canada, L0R 1S0, warrants machines, and parts, as set out below.

**Warranty of Machines:** The Company warrants all new machines of its manufacture bearing the name "Champion" and installed within the United States and Canada to be free from defects in material and workmanship for a period of one (1) year after the date of installation or fifteen (15) months after the date of shipment by The Company, whichever occurs first. [See below for special provisions relating to glasswashers.] Warranty registration must be submitted to The Company within ten (10) days after installation either online on the Champion Industries website (<http://www.championindustries.com>), in the USA or <http://www.championindustries.com/canada> in Canada or by registering with the QR code on the machine at <http://champdw.us/PRO> or by the fax form provided at the front of this manual. The Company will not assume any responsibility for extra costs for installation in any area where there are jurisdictional problems with local trades or unions.

If a defect in workmanship or material is found to exist within the warranty period, The Company, at its election, will either repair or replace the defective part or accept return of the machine for full credit; provided; however, as to glasswashers, The Company's obligation with respect to labor associated with any repairs shall end (a) 120 days after shipment, or (b) 90 days after installation, whichever occurs first. In the event that The Company elects to repair, the labor and work to be performed in connection with the warranty shall be done during regular working hours by a Champion authorized service technician. Defective parts become the property of The Company. Use of replacement parts not authorized by The Company will relieve The Company of all further liability in connection with its warranty. In no event will The Company's warranty obligation exceed The Company's charge for the machine. The following are not covered by The Company's warranty:

- a. Lighting of gas pilots or burners.
- b. Cleaning of gas lines.
- c. Replacement of fuses or resetting of overload breakers.
- d. Adjustment of thermostats.
- e. Adjustment of clutches.
- f. Opening or closing of utility supply valves or switching of electrical supply current.
- g. Cleaning of valves, strainers, screens, nozzles, or spray pipes.
- h. Performance of regular maintenance and cleaning as outlined in the operator's guide.
- i. Damages resulting from water conditions, accidents, alterations, improper use, abuse, tampering, improper installation, or failure to follow maintenance and operation procedures.
- j. Wear on Pulper cutter blocks, pulse vanes, and auger brush.

Examples of the defects not covered by warranty include, but are not limited to: (1) Damage to the exterior or interior finish as a result of the above, (2) Use with utility service other than that designated on the rating plate, (3) Improper connection to utility service, (4) Inadequate or excessive water pressure, (5) Corrosion from chemicals dispensed in excess of recommended concentrations, (6) Failure of electrical components due to connection of chemical dispensing equipment installed by others, (7) Leaks or damage resulting from such leaks caused by the installer, including those at machine table connections or by connection of chemical dispensing equipment installed by others, (8) Failure to comply with local building codes, (9) Damage caused by labor dispute.

**Warranty of Parts:** The Company warrants all new machine parts produced or authorized by The Company to be free from defects in material and workmanship for a period of 90 days from date of invoice. If any defect in material and workmanship is found to exist within the warranty period The Company will replace the defective part without charge.

**DISCLAIMER OF WARRANTIES AND LIMITATIONS OF LIABILITY. THE COMPANY'S WARRANTY IS ONLY TO THE EXTENT REFLECTED ABOVE. THE COMPANY MAKES NO OTHER WARRANTIES, EXPRESS OR IMPLIED, INCLUDING, BUT NOT LIMITED, TO ANY WARRANTY OF MERCHANTABILITY, OR FITNESS OF PURPOSE. THE COMPANY SHALL NOT BE LIABLE FOR INCIDENTAL OR CONSEQUENTIAL DAMAGES. THE REMEDIES SET OUT ABOVE ARE THE EXCLUSIVE REMEDIES FOR ANY DEFECTS FOUND TO EXIST IN THE COMPANY'S DISHWASHING MACHINES AND THE COMPANY'S PARTS, AND ALL OTHER REMEDIES ARE EXCLUDED, INCLUDING ANY LIABILITY FOR INCIDENTALS OR CONSEQUENTIAL DAMAGES.**

The Company does not authorize any other person, including persons who deal in Champion dishwashing machines to change this warranty or create any other obligation in connection with Champion dishwashing machines.

## Table of Contents - Service Replacement Parts

|                            |     |
|----------------------------|-----|
| Product Registration ..... | i   |
| Revision History.....      | iii |
| Limited Warranty .....     | iv  |

| <b>Illustration</b>                                       | <b>Pg.</b> |
|---|------------|
| Curtain Placement.....                                    | 2          |
| Control Cabinet.....                                      | 4          |
| Single Tank Standard Control Cabinet .....                | 6          |
| Single Tank VHR Control Cabinet .....                     | 8          |
| Lower Junction Box .....                                  | 10         |
| Panels and Curtains - 22PW, 22PW-VHR, 36PW, 36PW-VHR..... | 12         |
| Panels and Curtains - 22PW Front Feed.....                | 14         |
| Single Tank Panels and Curtains.....                      | 16         |
| Tank Scrap Screens .....                                  | 18         |
| Float Switches, Thermostats .....                         | 20         |
| Wash Arms .....   | 22         |
| Final Rinse Arms .....                                    | 24         |
| Fill/Final Rinse Supply (no booster).....                 | 26         |
| Non-VHR Fill Piping.....                                  | 28         |
| Non-VHR Final Rinse Piping (with booster) .....           | 30         |
| Non-VHR Fill Piping (with booster).....                   | 32         |
| VHR - Final Rinse Piping with Remote Vacuum Breaker ..... | 34         |
| VHR - Cold Water Sub-assembly .....                       | 36         |
| VHR - Auto Modulating Discharge Valve .....               | 38         |
| VHR - Fill Piping Assembly (One Tank).....                | 40         |
| VHR - Booster Piping, Main Connection Sub-assembly.....   | 42         |
| Wash Tank Heaters .....                                   | 44         |
| Electric Booster .....                                    | 46         |
| Pawl Bars and Tracks.....                                 | 48         |
| Drive Arm Install Continual Drive Assembly .....          | 50         |
| Clutch Style - Continual Drive Assembly .....             | 52         |
| Wash/Prewash Pump and Motor .....                         | 54         |
| Pump Installations .....                                  | 56         |

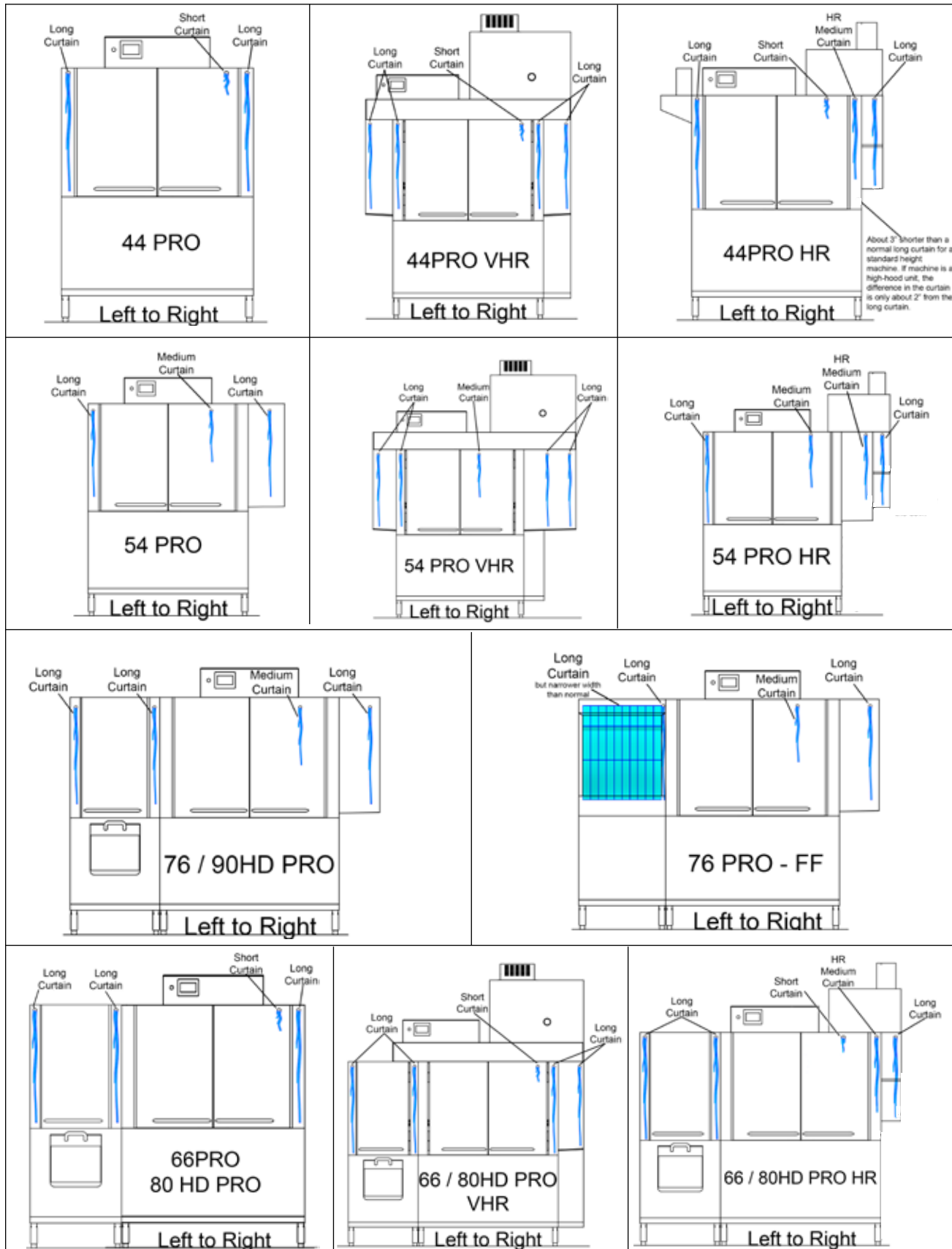
Continued on next page.

# Service Replacement Parts

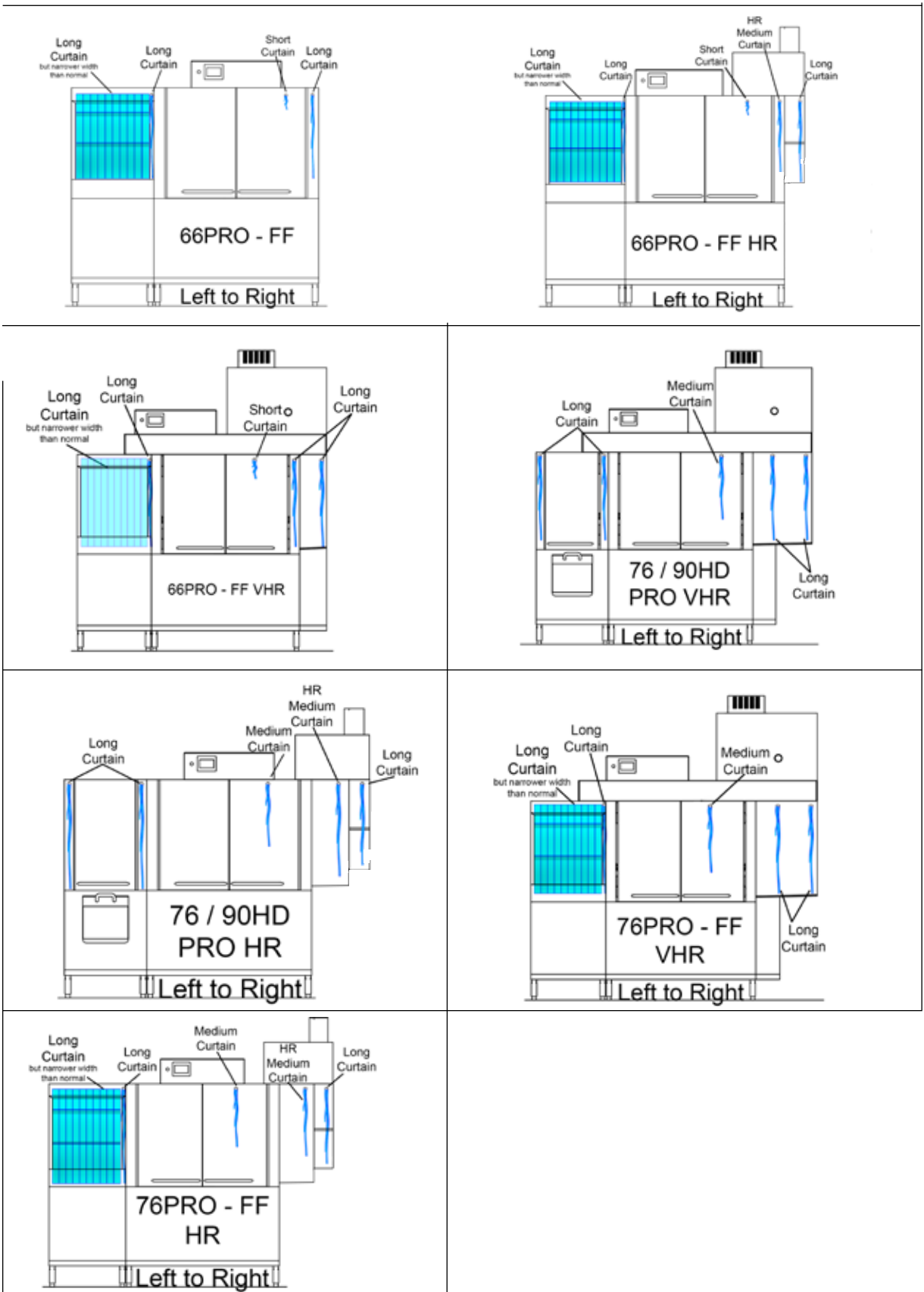
| Illustration  | Pg. |
|---|-----|
| VHR - Recirculation Pump Install .....                                  | 58  |
| 44/54PRO without Prewash Drain Assembly .....                           | 60  |
| 44/54PRO with Prewash Drain Assembly .....                              | 62  |
| Prewash Drain Assembly - (All Models) .....                             | 64  |
| Wash Steam Coil - (no booster piping).....                              | 66  |
| Steam Booster - Thrush Model 1200 .....                                 | 68  |
| VHR - Heat Pump Assembly .....  | 72  |
| Wash Door with Bolt-on Center Strip.....                                | 74  |
| 22" and 26" Prewash Doors .....   | 76  |
| Heat Recover Unit (HRU) Assembly.....                                   | 78  |
| Heat Recovery Unit (HRU) Fill Piping.....                               | 80  |
| Full Height and Long Vent Cowls (EXCEPT FOR VHR) .....                  | 82  |
| Heat Recovery Unit (HRU) Vent Cowls (EXCEPT FOR VHR) .....              | 84  |
| Standard Vent Cowls/Splash Shields .....                                | 86  |
| Dish Racks .....  | 88  |
| Ion Water Conditioner and Drain Water Tempering Kit.....                | 90  |
| 44PRO - VHR Hose Plumbing Diagram.....                                  | 93  |
| 44PRO - Hose Plumbing Diagram with Booster, Standard or High Hood ..... | 94  |
| 44PRO - Hose Plumbing Diagram, No Booster.....                          | 95  |
| 54PRO - VHR Hose Plumbing Diagram.....                                  | 96  |
| 54PRO - Hose Plumbing Diagram with Booster, Standard or High Hood ..... | 97  |
| 54PRO - Hose Plumbing Diagram, No Booster.....                          | 98  |

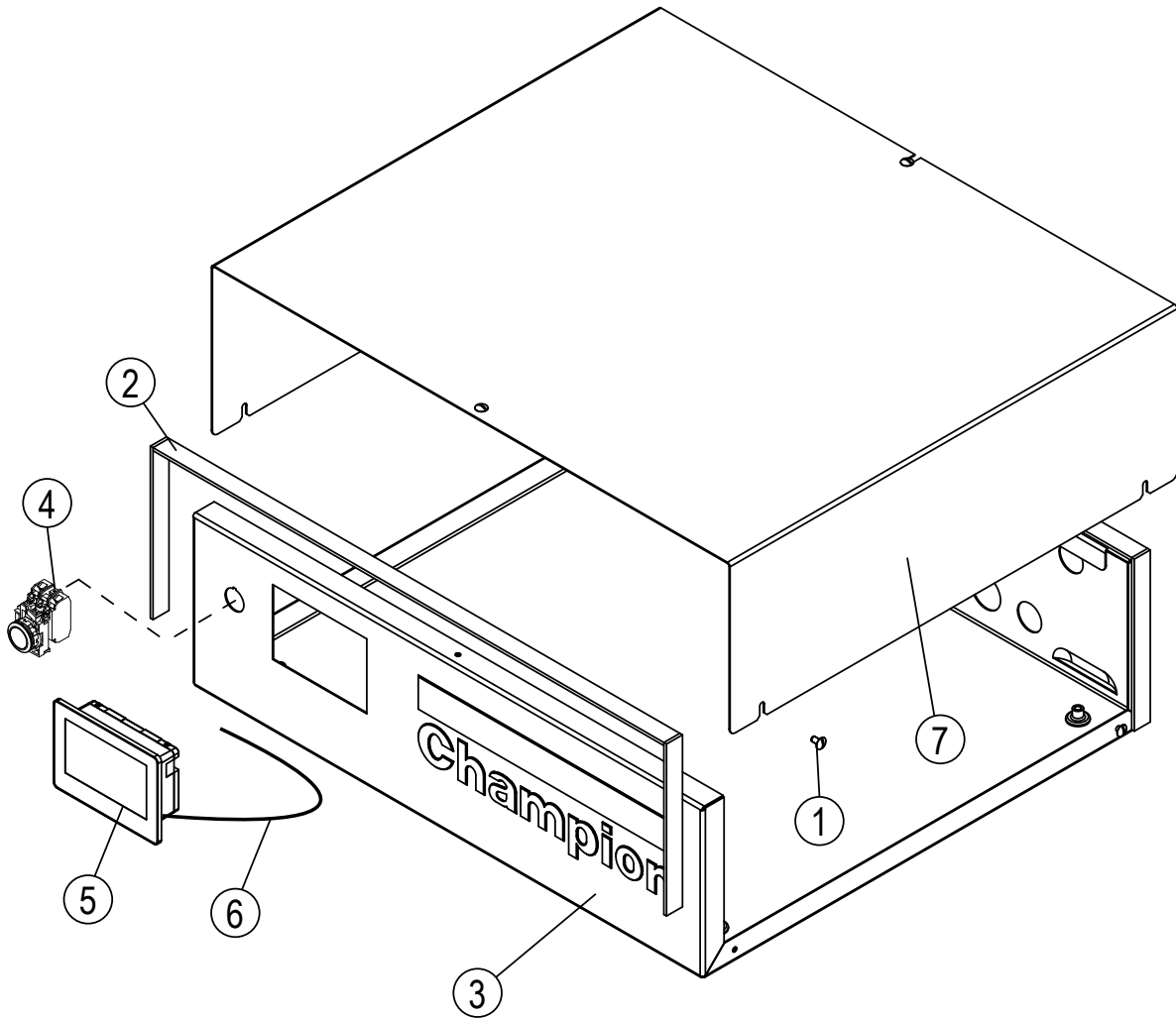
**This page  
intentionally  
left blank.**

# CURTAIN PLACEMENT



# CURTAIN Placement - (continued)





| Item No. | Part No. | Description                            | Qty. |
|----------|----------|--|------|
| 1        | 112318   | SCREW, 1/4 X 1/2", HEX WASHER, HEAD    | 6    |
| 2        | 107431   | GASKET, SEAM, 1/8" X 3/4" PORON        | 1    |
| 3        | 116677   | LABEL, CHAMPION LOGO,                  | 1    |
| 4        | 116852   | COMPLETE ASSEMBLY, GREEN PUSH BUTTON   | 1    |
| 5        | 116889   | HM1, SCHNEIDER, PROFACE, PFXXGP4114T2D | 1    |
| 6        | 116919   | NETWORK CABLE, PLC TO HM1              | 1    |
| 7        | 339542   | COVER, 24" CONTROL CABINET COVER       | 1    |

# Single Tank Standard Control Cabinet

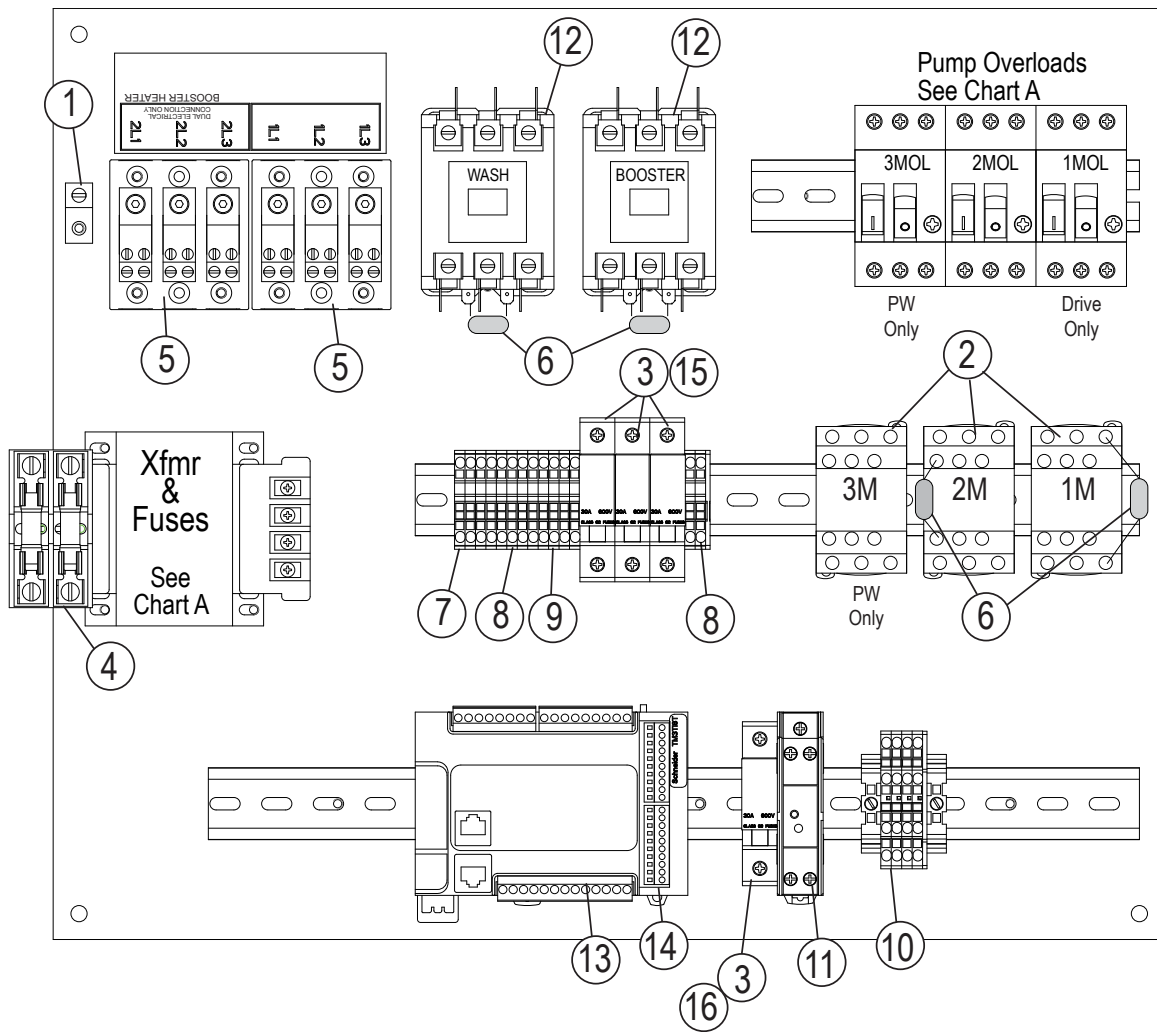
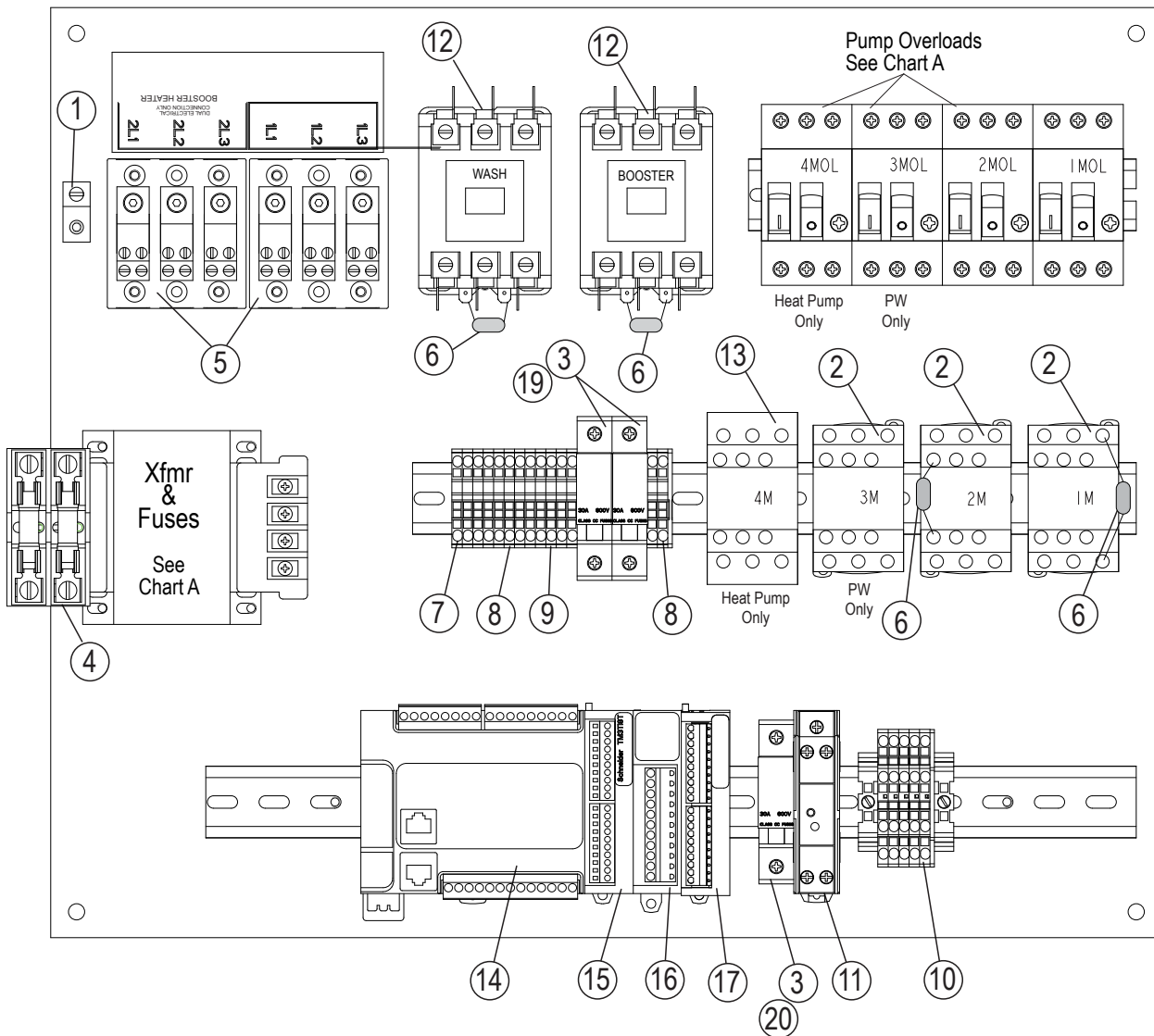


Chart A

| Transformer - Fuses - Pump Overloads |        |               |                     |                 |
|--------------------------------------|--------|---------------|---------------------|-----------------|
| Supplied Power                       | Xfmr   | Xfmr Fuses    | Wash Pump Overloads | Drive Overloads |
| 208/60/1                             | 109064 | 112482 (3.5A) | 113161              | 111625          |
| 240/60/1                             | 109064 | 112482 (3.5A) | 113161              | 111625          |
| 208/60/3                             | 109064 | 112482 (3.5A) | 111629              | 111624          |
| 240/60/3                             | 109064 | 112482 (3.5A) | 111629              | 111624          |
| 480/60/3                             | 109064 | 112484 (1.5A) | 111627              | 111623          |
| 575/60/3                             | 111521 | 112901 (1.0A) | 111627              | 111622          |

| Item No. | Part No. | Description                            | Qty. |
|----------|----------|--|------|
| 1        | 103310   | LUG, GROUND                            | 1    |
| 2        | 108122   | CONTACTOR, 3-POLE                      | 3    |
| 3        | 111153   | FUSE HOLDER ASSEMBLY                   | 4    |
| 4        | 112424   | FUSE BLOCK KIT                         | 1    |
| 5        | 111833   | INPUT TERMINAL BLOCK                   | 2    |
| 6        | 113271   | SUPPRESSOR, ARC, 0.1UF & 47Ω           | 4    |
| 7        | 114512   | TERMINAL BLOCK, GREY                   | 5    |
| 8        | 114514   | TERMINAL BLOCK, WHITE                  | 6    |
| 9        | 114515   | TERMINAL BLOCK, GREEN                  | 3    |
| 10       | 114517   | TERMINAL BLOCK, TWO TIER               | 4    |
| 11       | 115607   | SLIM, 24V 30W, POWER SUPPLY, PS5R-SC24 | 1    |
| 12       | 116166   | CONTACTOR, 60FLA 3-POLE, 120V COIL     | 2    |
| 13       | 116888   | PLC, SCHNEIDER, TM221CE24R             | 1    |
| 14       | 116891   | THERMISTOR MODULE, SCHNEIDER TM3T18    | 1    |
| 15       | 116213   | FUSE, LPCC 0.5A                        | 3    |
| 16       | 112901   | FUSE, LPCC 1.0A                        | 1    |

# Single Tank VHR Control Cabinet



## Chart A

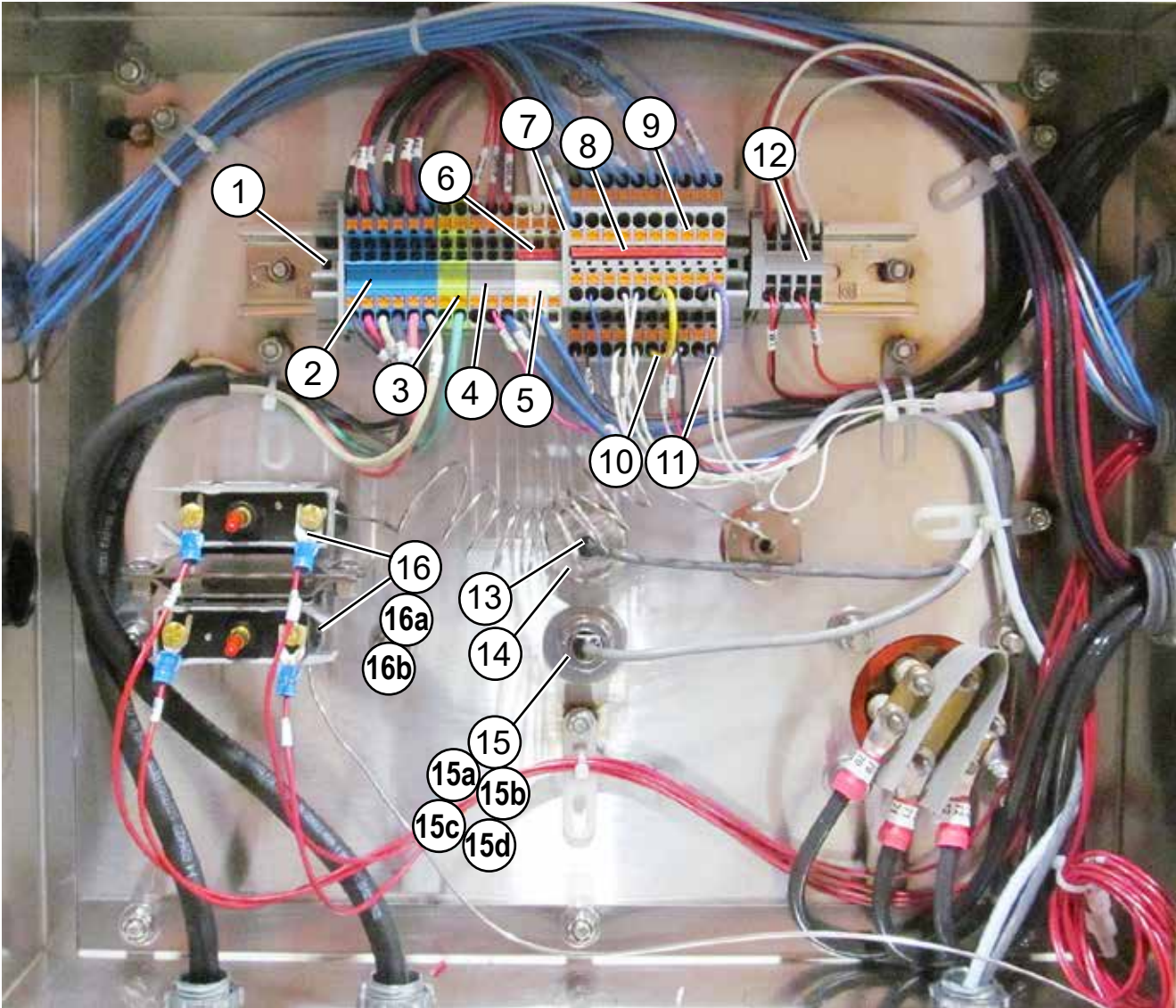
| Transformer    | Fuses      | Overloads           |
|----------------|------------|---------------------|
| Supplied Power | Xfmr Fuses | Wash Pump Overloads |
| 208/60/3       | 109064     | 112482 (3.5A)       |
| 240/60/3       | 109064     | 112482 (3.5A)       |
| 480/60/3       | 109064     | 112484 (1.5A)       |
| 575/60/3       | 111521     | 112901 (1.0A)       |

| Overloads | Heat Pump Overloads | Drive Overloads |
|-----------|---------------------|-----------------|
| 111629    | 111636              | 111624          |
| 111627    | 111630              | 111623          |
| 111627    | 111629              | 111622          |

| Item No. | Part No. | Description                                    | Qty. |
|----------|----------|--|------|
| 1        | 103310   | LUG, GROUND                                    | 1    |
| 2        | 108122   | CONTACTOR, 3-POLE                              | 4    |
| 3        | 111153   | FUSE HOLDER ASSEMBLY                           | 3    |
| 4        | 112424   | FUSE BLOCK KIT                                 | 1    |
| 5        | 111833   | INPUT TERMINAL BLOCK                           | 2    |
| 6        | 113271   | SUPPRESSOR, ARC, 0.1UF & 47Ω                   | 4    |
| 7        | 114512   | TERMINAL BLOCK, GREY                           | 5    |
| 8        | 114514   | TERMINAL BLOCK, WHITE                          | 6    |
| 9        | 114515   | TERMINAL BLOCK, GREEN                          | 3    |
| 10       | 114517   | TERMINAL BLOCK, TWO TIER                       | 5    |
| 11       | 115607   | SLIM, 24V 30W, POWER SUPPLY, PS5R-SC24         | 1    |
| 12       | 116166   | CONTACTOR, 60FLA 3-POLE, 120V COIL             | 2    |
| 13       | 116634   | CONTACTOR, 32A, 120V COIL                      | 1    |
| 14       | 116888   | PLC, SCHNEIDER, TM221CE24R                     | 1    |
| 15       | 116891   | THERMISTOR MODULE, SCHNEIDER TM3T18            | 1    |
| 16       | 116934   | 8PT RELAY OUTPUT MODULE, SCHNEIDER             | 1    |
| 17       | 116961   | ANALOG INPUT/OUTPUT MODULE, SCHNEIDER, TM3AM6G | 1    |
| 18       | 113271   | SUPPRESSOR, ARC, 0.1UF & 47Ω                   | 4    |
| 19       | 116213   | FUSE, LPCC 0.5A                                | 2    |
| 20       | 112901   | FUSE, LPCC 1.0A                                |      |

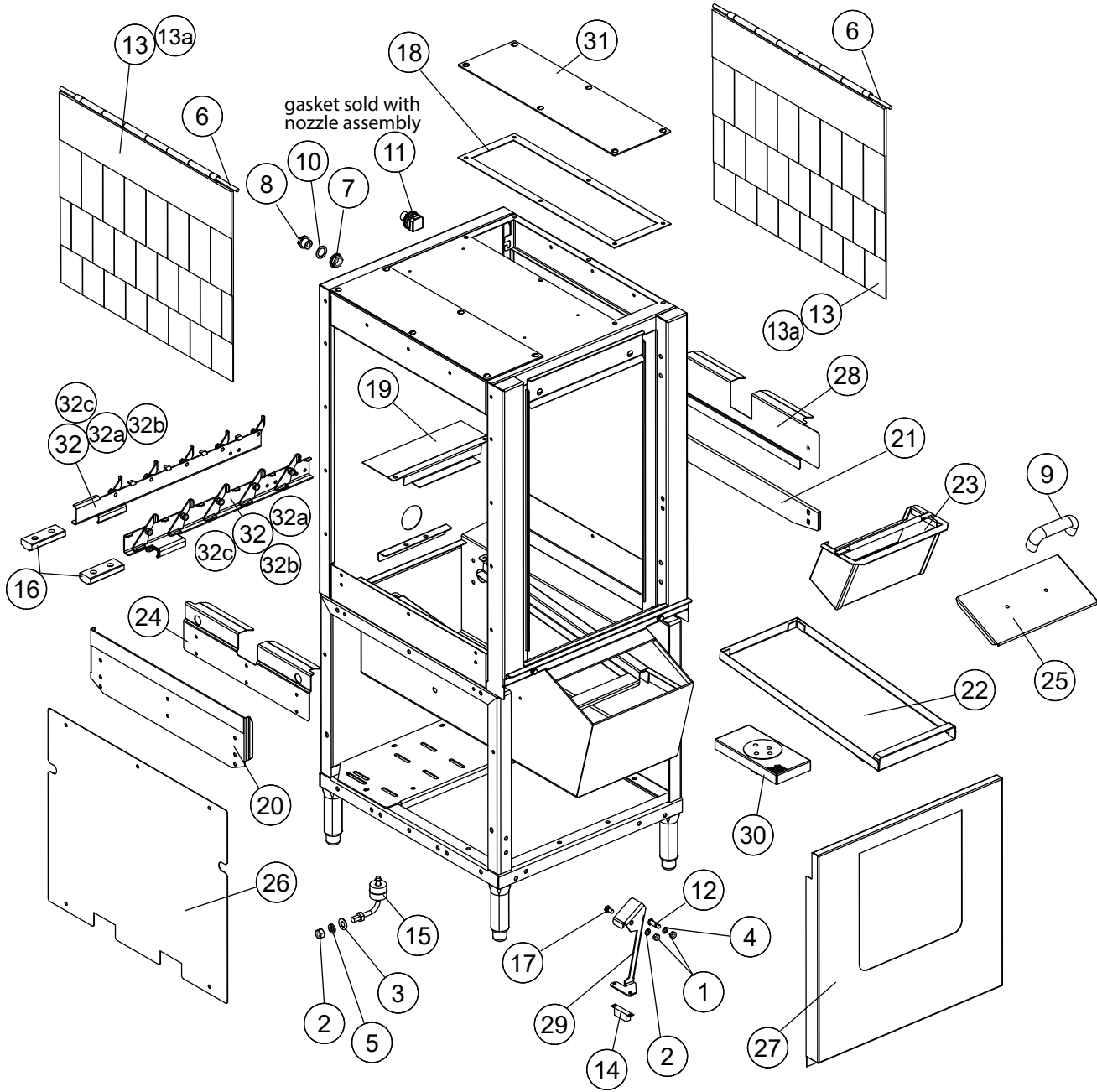
Lower Junction Box



| Item No. | Part No. | Description                                    | Qty. |
|----------|----------|--|------|
| 1        | 114519   | END BLOCK                                      | 2    |
| 2        | 114513   | TERMINAL, SINGLE (BLUE)                        | 6    |
| 3        | 114515   | TERMINAL BLOCK, GREEN                          | 2    |
| 4        | 114512   | TERMINAL, (GRAY)                               | 4    |
| 5        | 114514   | TERMINAL, (WHITE)                              | 3    |
| 6        | 114524   | BRIDGE, 3 POLE                                 | 1    |
| 7        | 114518   | END COVER, DOUBLE TERMINAL                     | 1    |
| 8        | 114522   | BRIDGE, 10 POLE                                | 1    |
| 9        | 114517   | TERMINAL, DOUBLE                               | 10   |
| 10       | -----    | YELLOW TABLE LIMIT SWITCH JUMPER               | 1    |
| 11       | -----    | PURPLE ANTI-JAM SWITCH JUMPER                  | 1    |
| 12       | 114520   | TERMINAL SINGLE                                | 4    |
| 13       | 114435   | THERMISTOR, 10k $\Omega$ , 36" LEAD            | 1    |
| 14       | 115530   | ADAPTER  | 1    |
| 15       | 113291   | FLOAT SWITCH, DUAL                             | 1    |
| 15a      | 104882   | WASHER, FLAT 1/2" SST                          | 2    |
| 15b      | 107589   | WASHER, LOCK 1/2" SST                          | 1    |
| 15c      | 104584   | NUT, PLAIN 1/2-13                              | 1    |
| 15d      | 110750   | GASKET, FLOAT SWITCH (NOT SHOWN)               | 1    |
| 16       | 117455   | THERMOSTAT, FIXED HIGH LIMIT                   | 1    |
| 16a      | 115489   | O-RING   | 1    |
| 16b      | 100547   | LOCKNUT, 1/2" NPT SST                          | 1    |
| ---      | 337582   | COVER, JUNCTION BOX, ELECTRIC HEAT (Not shown) | 1    |
| ---      | 332974   | COVER, JUNCTION BOX, STEAM HEAT                |      |

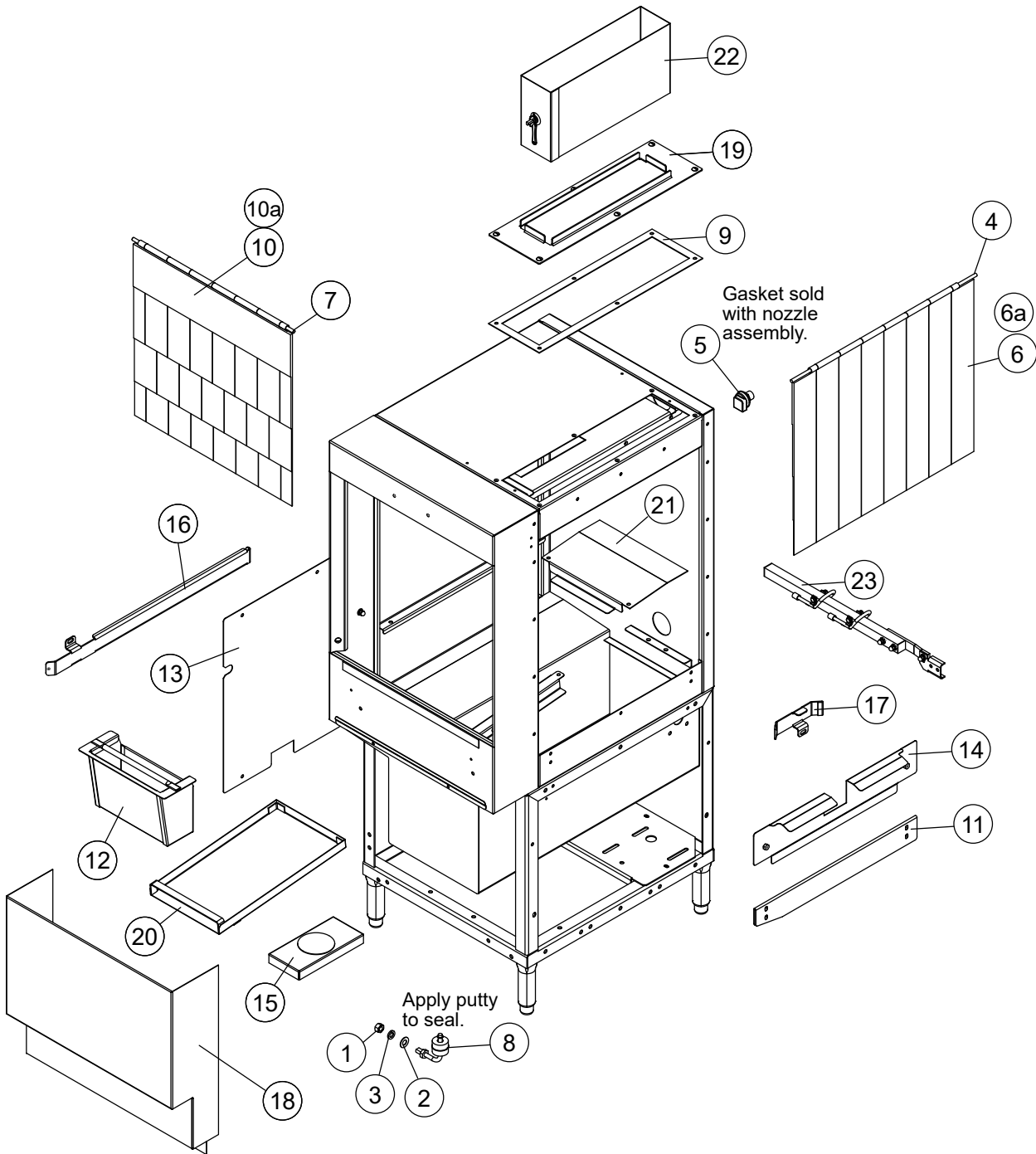
## NOTE:

TERMINAL BLOCK QUANTITIES MAY VARY DEPENDING ON MACHINE OPTIONS.



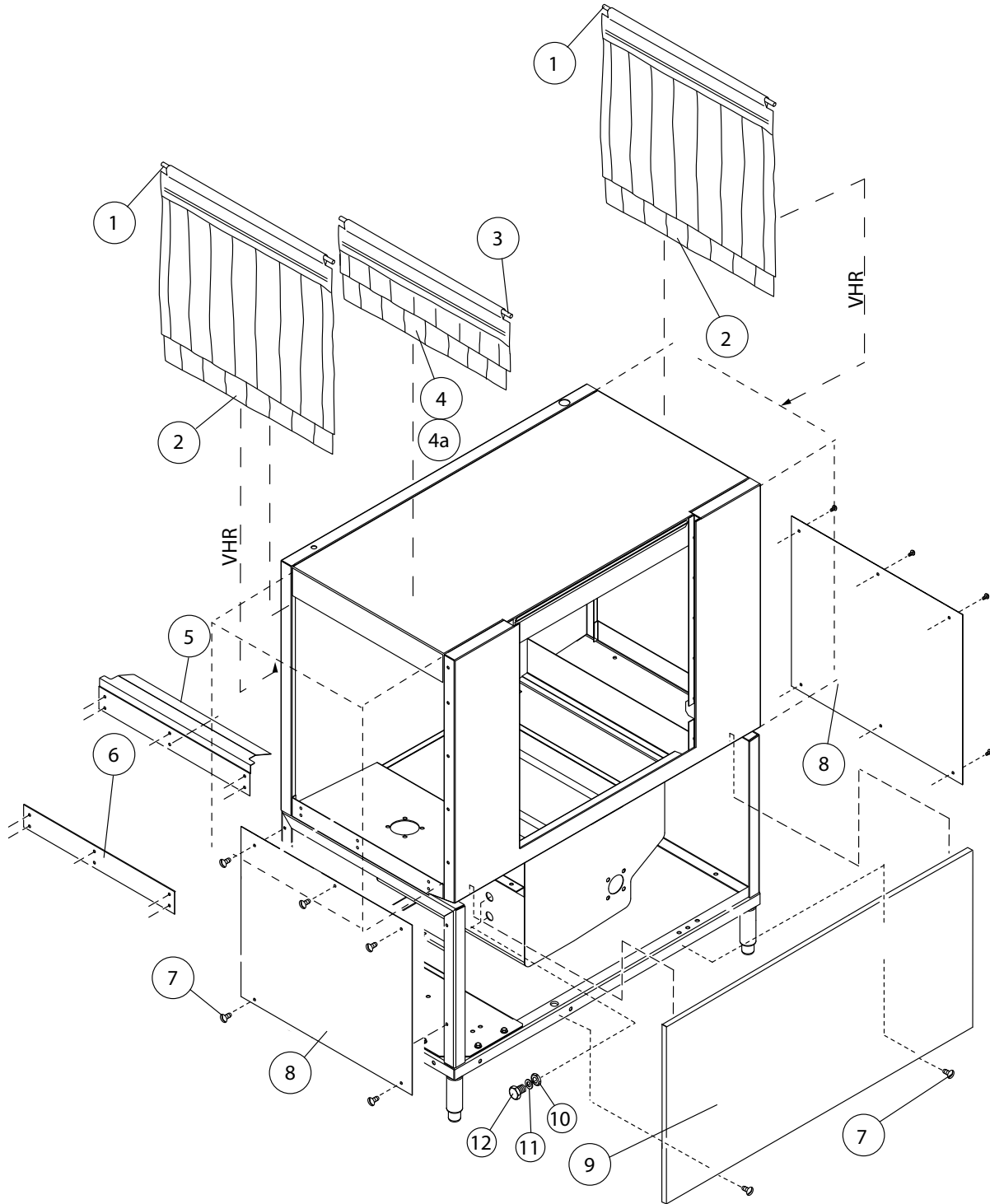
(L-R Direction Shown)

| Item No. | Part No. | Description  | Qty. |
|----------|----------|--|------|
| 1        | 100154   | HEX PLAIN NUT, 5/16-18, SST                          | 2    |
| 2        | 104584   | HEX PLAIN NUT, 1/2-13, SST                           | 1    |
| 3        | 104882   | WASHER, FLAT, SST                                    | 1    |
| 4        | 106013   | WASHER, LOCK 5/16", SPLIT, SST                       | 2    |
| 5        | 107589   | WASHER, LOCK 1/2", SPLIT, SST                        | 1    |
| 6        | 108250   | ROD, CURTAIN, 5/16" X 25-5/8", SST                   | 2    |
| 7        | 108417   | LOCKNUT, 1/2" PLASTIC                                | 1    |
| 8        | 108418   | PLUG, 1/2" PLASTIC                                   | 1    |
| 9        | 108966   | HANDLE, DOOR   | 1    |
| 10       | 109034   | GASKET, 13/16" X 1-3/16", (1/2" PLUG)                | 1    |
| 11       | 111325   | NOZZLE, FLUSH-N POLISHED CHROME                      | 1    |
| 12       | 113692   | SCREW, 3/8" X 3/4" X 5/16-18, SHOULDER               | 1    |
| 13       | 113720   | CURTAIN, 24" X 20-1/4" 4-PLY                         | 2    |
| 13a      | 114026   | CURTAIN, 24" X 24-1/2" 4-PLY, HIGH HOOD              | 2    |
| 14       | 113937   | MAGNET, REED SWITCH                                  | 1    |
| 15       | 115352   | FLOAT, SWITCH  | 1    |
| 16       | 116333   | BEARING, BLOCK UHMW                                  | 2    |
| 17       | 116470   | SCREW, 3/8" X 1/8" X 5/16-18, SHOULDER               | 1    |
| 18       | 117206   | GASKET, PRO-PW HOOD, TOP BLOCK-OFF, STANDARD         | 2    |
| 18a      | 117206   | GASKET, PRO-PW HOOD, TOP BLOCK-OFF, VHR              | 1    |
| 19       | 328006   | SUPPORT, REAR SCREEN, 22PW                           | 1    |
| 19a      | 328063   | SUPPORT, REAR SCREEN, 36PW                           | 1    |
| 20       | 328451   | TABLE, FLANGE, PREF SYSTEM                           | 1    |
| 21       | 328604   | U-CLIP, BLOWER- HOOD CONNECTION                      | 1    |
| 22       | 328958   | SCREEN, REFUSE, 22PW                                 | 1    |
| 22a      | 328960   | SCREEN, REFUSE, 36PW                                 | 2    |
| 23       | 328959   | REFUSE, BASKET ASSEMBLY, 22PW                        | 1    |
| 23a      | 328967   | REFUSE, BASKET ASSEMBLY, 36PW                        | 1    |
| 24       | 329927   | BAFFLE, TABLE FLANGE, W/CUT-OUT                      | 1    |
| 25       | 335332   | COVER, REFUSE BASKET, 22PW, HINGED DOOR              | 1    |
| 25a      | 335333   | COVER, REFUSE BASKET, 36PW, HINGED DOOR              | 1    |
| 26       | 337085   | PANEL, END   | 1    |
| 27       | 337213   | PANEL, FRONT, 22PW                                   | 1    |
| 27a      | 337870   | PANEL, FRONT, 36PW                                   | 1    |
| 28       | 337629   | BAFFLE, WASH 22PW                                    | 1    |
| 29       | 338184-1 | IDLE PUMP/FINAL RINSE LEVER, LR                      | 1    |
| 30       | 341145   | PUMP SUCTION SCREEN (New Style, backward compatible) | 1    |
| 31       | 339833   | HOOD TOP, BLOCK -OFF PLATE                           | 1    |
| 32       | 421211   | PAWL BAR ASSY., 22PW, LH GEN2                        | 1    |
| 32a      | 421191   | PAWL BAR ASSY., 22-VHR PW, LH GEN2                   | 1    |
| 32b      | 421213   | PAWL BAR ASSY., 36-PW, LH GEN2                       | 1    |
| 32c      | 421215   | PAWL BAR ASSY., 36-VHR, LH GEN2                      | 1    |
| 33       | 421212   | PAWL BAR ASSY., 22PW, RH GEN2                        | 1    |
| 33a      | 421192   | PAWL BAR ASSY., 22-VHR, RH GEN2                      | 1    |
| 33b      | 421214   | PAWL BAR ASSY., 36PW, RH GEN2                        | 1    |
| 33c      | 421216   | PAWL BAR ASSY., 36-VHR, RH GEN2                      | 1    |



| Item No. | Part No.               | Description   | Qty. |
|----------|------------------------|---|------|
| 1        | <a href="#">104584</a> | HEX PLAIN NUT, 1/2-13 SST                                     | 1    |
| 2        | <a href="#">104882</a> | WASHER, FLAT, SPLIT SST 304                                   | 1    |
| 3        | <a href="#">107589</a> | WASHER LOCK, 1/2" SPLIT, SST                                  | 1    |
| 4        | <a href="#">108250</a> | ROD, CURTAIN, 5/16" X 24" X 24-5/8"                           | 1    |
| 5        | <a href="#">111325</a> | NOZZLE, FLUSH-N POLISHED CHROME                               | 1    |
| 6        | <a href="#">113720</a> | CURTAIN, 24" X 20-1/4" 4-PLY, STD. HOOD                       | 1    |
| 6a       | <a href="#">114026</a> | CURTAIN, 24" X 24-1/4" 4-PLY, HIGH HOOD                       | 1    |
| 7        | <a href="#">113828</a> | CURTAIN ROD, .3 ID X 21.50" 304 SST                           | 1    |
| 8        | <a href="#">115352</a> | FLOAT SWITCH, E-RACK, AUX RINSE                               | 1    |
| 9        | 117206                 | GASKET, PRO-PW HOOD, TOP BLOCK-OFF                            | 1    |
| 10       | 207993                 | CURTAIN, MODIFIED <a href="#">113720</a> , 22PRO-FF STD HOOD  | 1    |
| 10a      | 207934                 | CURTAIN, MODIFIED <a href="#">114026</a> , 22PRO-FF HIGH HOOD | 1    |
| 11       | 328604                 | U-CLIP, BLOWER HOOD CONNECTION                                | 1    |
| 12       | <a href="#">329492</a> | BASKET, E26PW, REFUSE   | 1    |
| 13       | <a href="#">337085</a> | PANEL, END V2-RACK  | 1    |
| 14       | 337629                 | BAFFLE, WASH, 22PRO   | 1    |
| 15       | 341145                 | PUMP SUCTION SCREEN, PRO RACK PW                              | 1    |
| 16       | 340468                 | GUIDE, RAIL, END, 22PRO-FF                                    | 1    |
| 17       | 340469                 | GUIDE, RAIL, CORNER, 22PRO-FF                                 | 1    |
| 18       | 340472                 | PANEL, FRONT, 22PRO-FF  | 1    |
| 19       | 340473                 | ADAPTER, PLATE, VENT STACK, 22PRO-FF                          | 1    |
| 20       | 340731                 | SCREEN, REFUSE, 22PRO-FF                                      | 1    |
| 21       | 340733                 | SCREEN, SUPPORT, REAR, 22PRO-FF                               | 1    |
| 22       | <a href="#">401487</a> | VENT STACK 4" X 16"   | 1    |
| 23       | 421698                 | PAWL BAR ASSEMBLY, 22PRO-FF                                   | 1    |

Single Tank Panels and Curtains

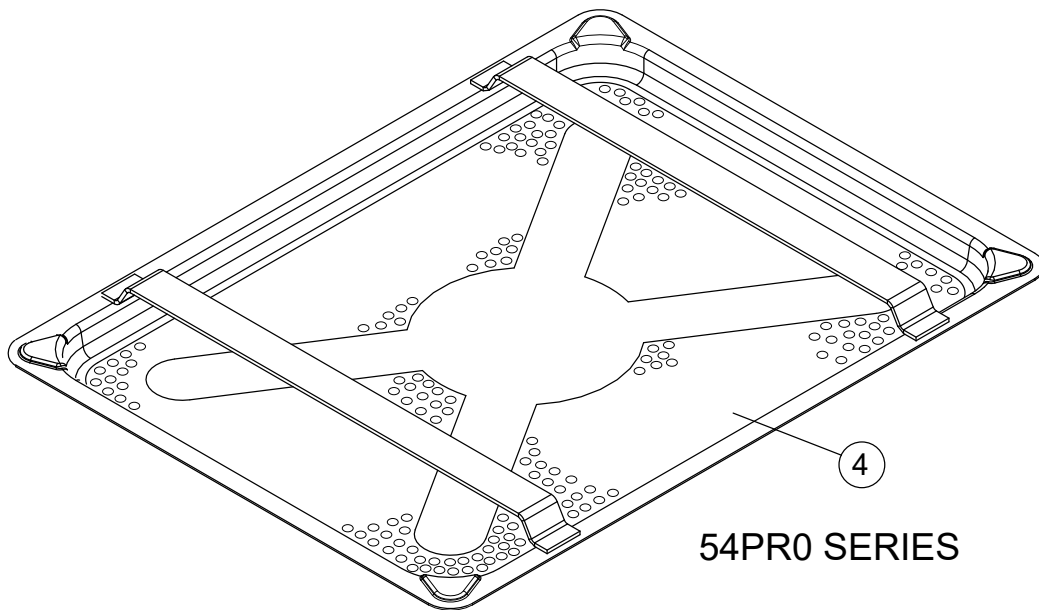
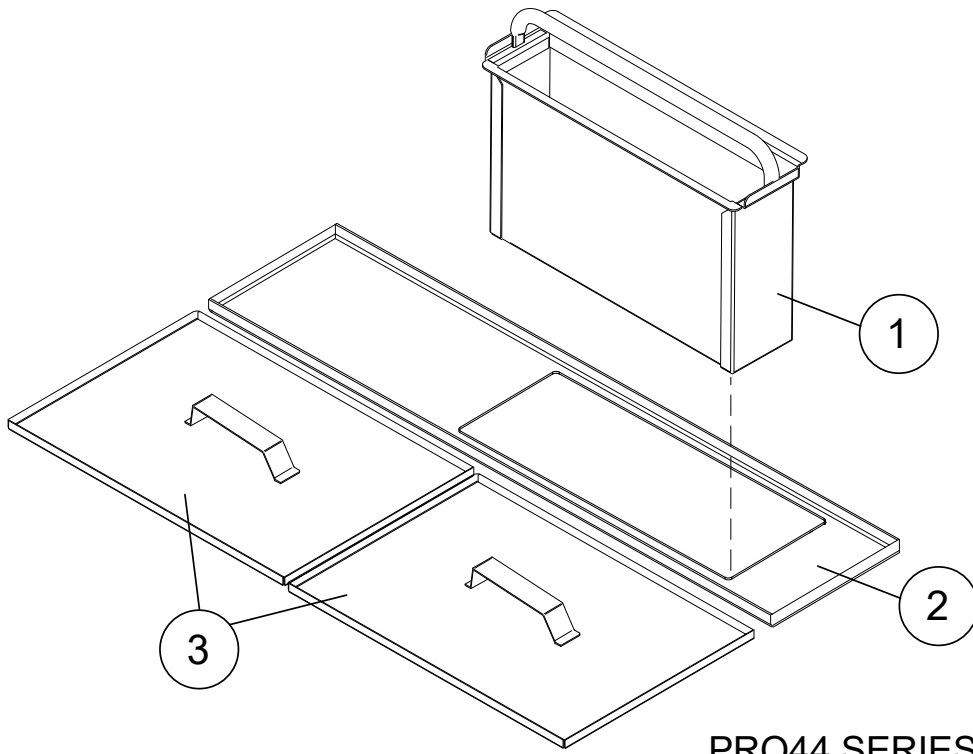


(R-L Direction Shown)

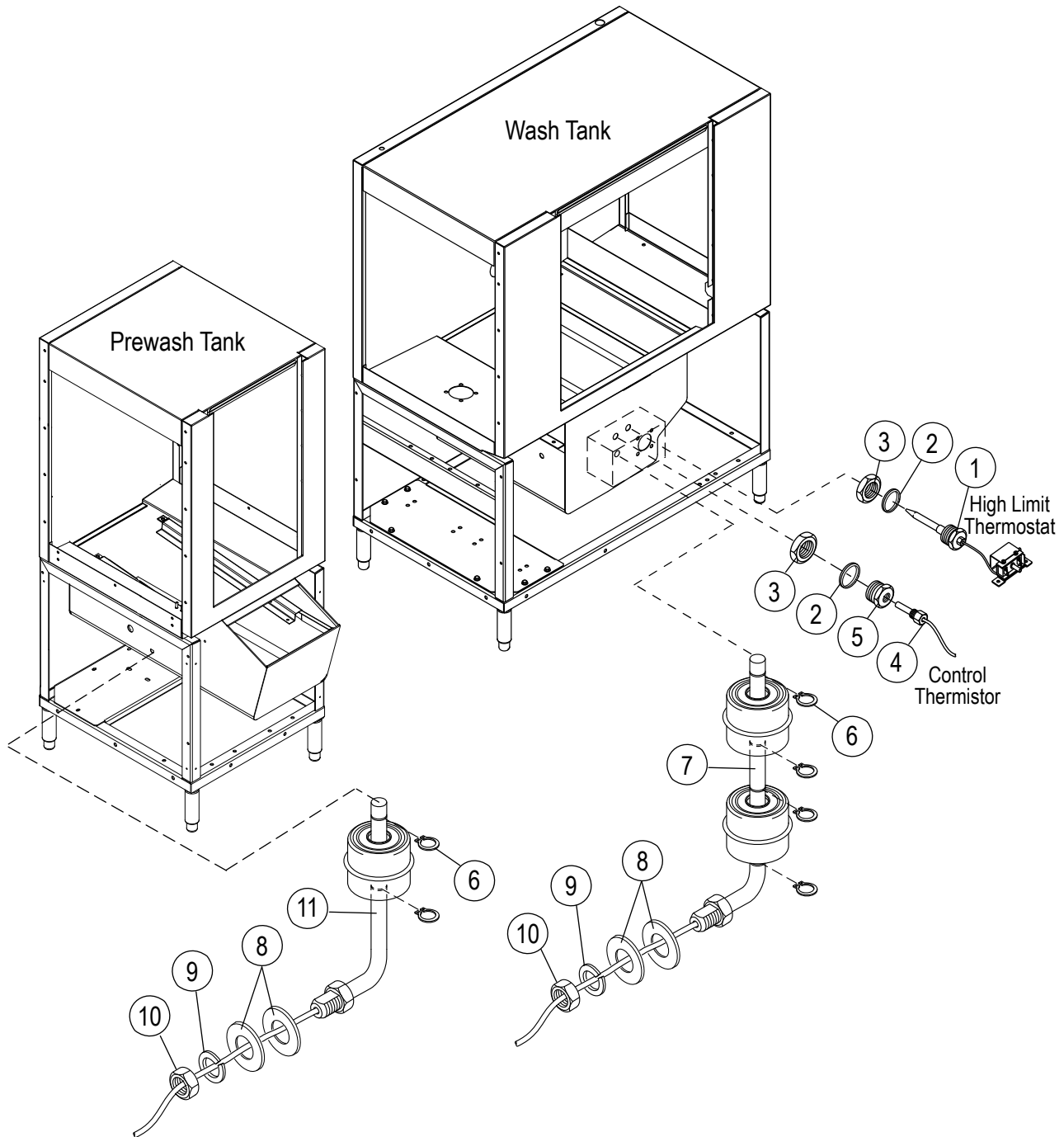
| Item No. | Part No. | Description  | Qty. |
|----------|----------|--|------|
| 1*       | 108250   | ROD, CURTAIN 5/16" X 24-5/8"(LONG)                   | 2    |
| 2*       | 113720   | CURTAIN 24" X 20-1/4" (LONG CURTAIN)                 | 2    |
| 3        | 114012   | ROD, CURTAIN, 5/16" X 23-1/2"(SHORT)                 | 1    |
| 4        | 109723   | CURTAIN 24" X 6 -1/4" (Rinse For 44 Family Only)     | 1    |
| 4a       | 108043   | CURTAIN 24" X 13 -1/4" (Rinse for 54PRO Family Only) | 1    |
| 5        | 329927   | BAFFLE, FLANGE WITH CUTOUT                           | 1    |
| 6        | 328451   | FLANGE, TABLE  | 2    |
| 7        | 112318   | SCREW, 1/4-20 X 1/2" HEX WASHER HEAD                 | 13   |
| 8        | 337085   | PANEL, 25" END STANDARD                              | 2    |
| 9        | 337084   | PANEL, FRONT   | 1    |
| 10       | 108417   | NUT, 1/2" NPT  | 4    |
| 11       | 109034   | GASKET   | 4    |
| 12       | 108418   | PLUG, 1/2" NPT                                       | 4    |
| ---      | 113944   | NUT, 3/4" NPT (NOT SHOWN)                            | 3    |
| ---      | 108620   | GASKET (NOT SHOWN)                                   | 3    |
| ---      | 113943   | PLUG, 3/4" NPT (NOT SHOWN)                           | 3    |

\* STANDARD = 2 LONG CURTAINS

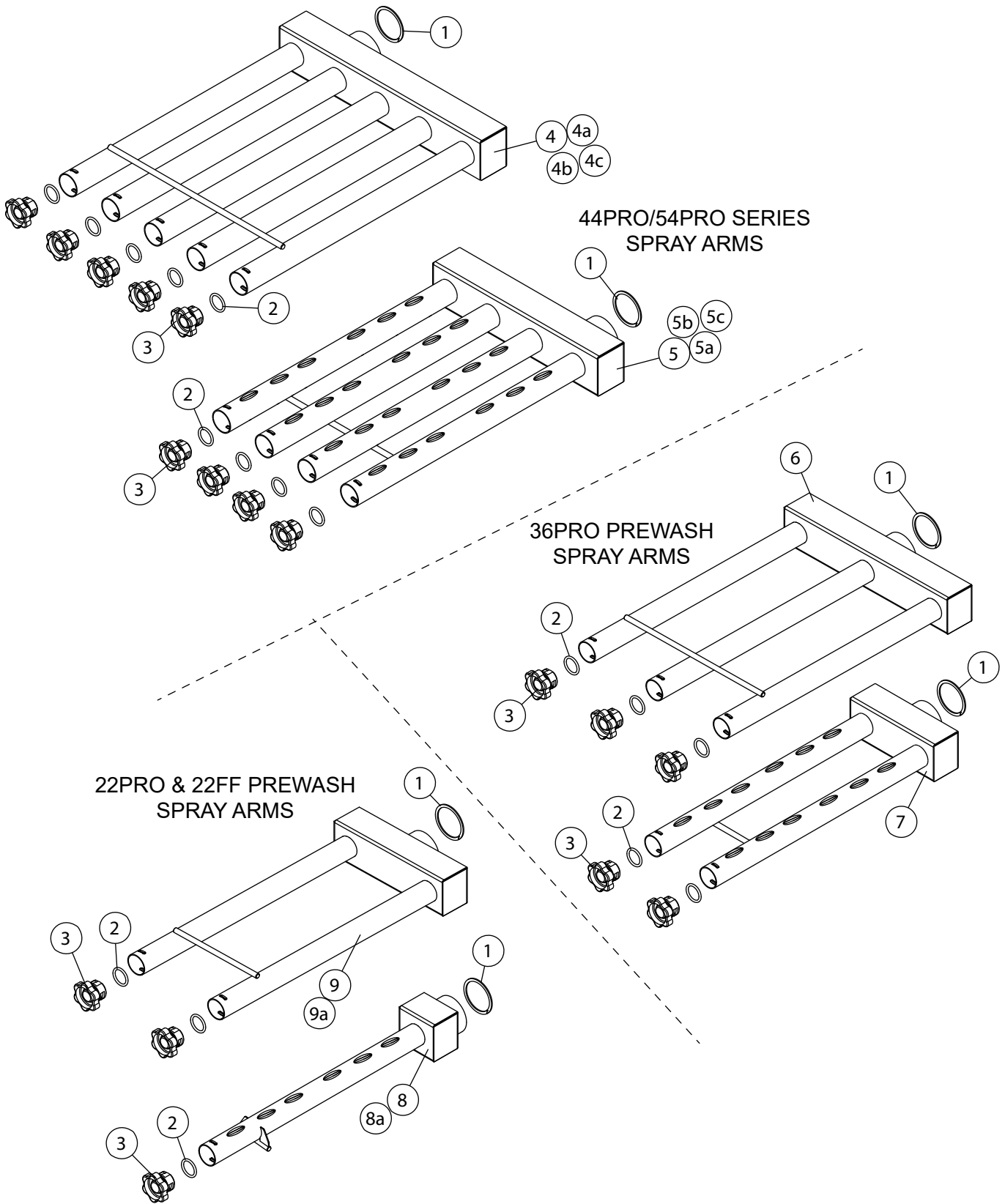
\* VHR = 4 LONG CURTAINS



| Item No. | Part No. | Description                           | Qty. |
|----------|----------|---------------------------------------|------|
| 1        | 338148   | 44PRO SERIES, BASKET, SCRAP (SHALLOW) | 1    |
| 2        | 338149   | 44PRO SERIES, FILLER, SCRAP BASKET    | 1    |
| 3        | 337205   | 44PRO SERIES, SCREEN, SCRAP           | 2    |
| 4        | 340922   | 54PRO SERIES, SCRAP SCREEN            | 1    |

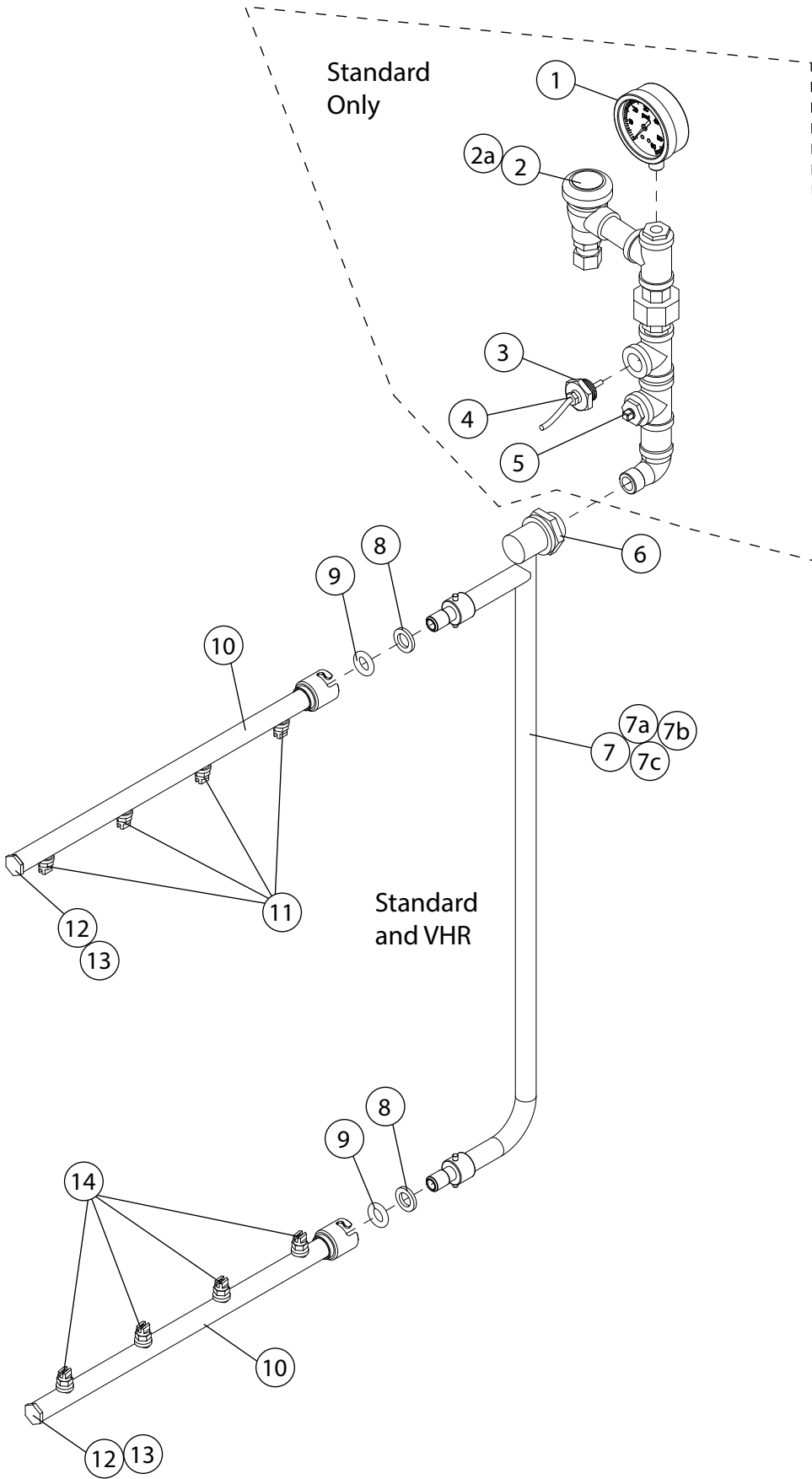


| Item No. | Part No. | Description                      | Qty. |
|----------|----------|----------------------------------|------|
| 1        | 117455   | THERMOSTAT, FIXED HIGH LIMIT     | 1    |
| 2        | 115489   | O-RING                           | 1    |
| 3        | 100547   | LOCKNUT, 1/2" NPT SST            | 1    |
| 4        | 114435   | THERMISTOR, 10kΩ, 36" LEAD       | 1    |
| 5        | 115530   | ADAPTER                          | 1    |
| 6        | 111151   | C-CLIP                           | A/R  |
| 7        | 113291   | FLOAT SWITCH, DUAL WASH          | 1    |
| 8        | 104882   | WASHER, FLAT 1/2" SST            | 2    |
| 9        | 107589   | WASHER, LOCK 1/2" SST            | 1    |
| 10       | 104584   | NUT, PLAIN 1/2-13                | 1    |
| 11       | 115352   | FLOAT SWITCH, SINGLE PREWASH     | 1    |
| ---      | 110750   | GASKET, FLOAT SWITCH (NOT SHOWN) | 1    |



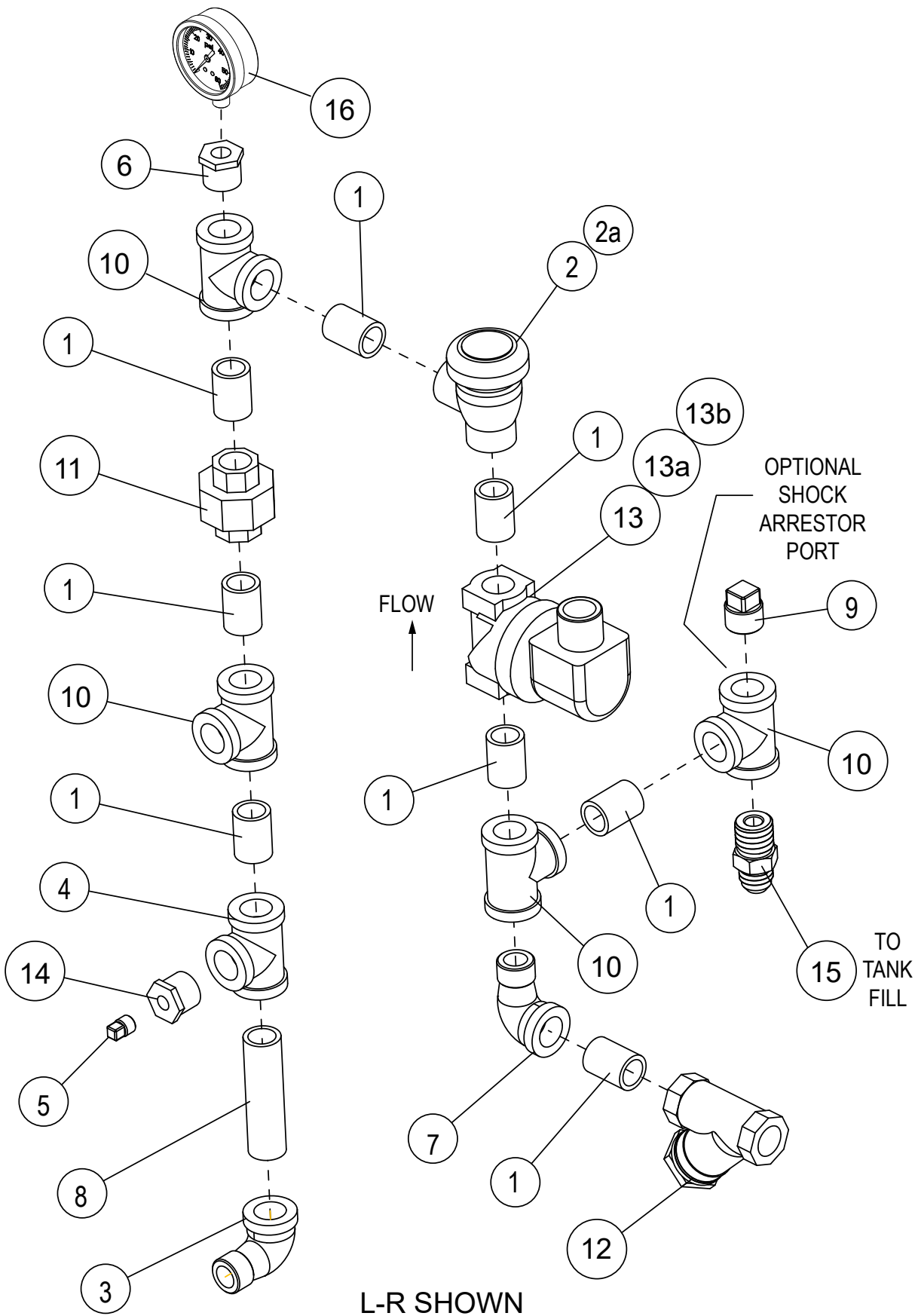
| Item No. | Part No. | Description                                  | Qty. |
|----------|----------|--|------|
| 1        | 117688   | O-RING, WASH ARM                             | 1    |
| 2        | 104414   | O-RING, END CAP                              | a/r  |
| 3        | 112240   | CAP, END WASH ARM                            | a/r  |
| 4        | 337574   | 44 SERIES, WASH ARM MANIFOLD, UPPER RL       | 1    |
| 4a       | 337573   | 44 SERIES, WASH ARM MANIFOLD, UPPER LR       | 1    |
| 4b       | 340967   | 54 SERIES, WASH ARM MANIFOLD, UPPER RL       | 1    |
| 4c       | 340905   | 54 SERIES, WASH ARM MANIFOLD, UPPER LR       | 1    |
| 5        | 337569   | 44 SERIES, WASH ARM MANIFOLD, LOWER RL       | 1    |
| 5a       | 337570   | 44 SERIES, WASH ARM MANIFOLD, LOWER LR       | 1    |
| 5b       | 340966   | 54 SERIES, WASH ARM MANIFOLD, LOWER RL       | 1    |
| 5c       | 340904   | 54 SERIES WASH ARM MANIFOLD, LOWER LR        | 1    |
| 6        | 339782   | 36PW, WASH ARM MANIFOLD, UPPER, RL AND LR    | 1    |
| 7        | 339781   | 36PW, WASH ARM MANIFOLD, LOWER, RL AND LR    | 1    |
| 8        | 339779   | 22PW, WASH ARM MANIFOLD, LOWER, RL AND LR    | 1    |
| 8a       | 207931   | 22FFPW, WASH ARM MANIFOLD, LOWER, RL AND LR  | 1    |
| 9        | 339780   | 22PW, WASH ARM MANIFOLD, UPPER, RL AND LR    | 1    |
| 9a       | 207932   | 22FFPW, WASH ARM MANIFOLD, UPPER, RL AND LR  | 1    |
| ---      | 339702   | ARM, THUMB LATCH, UPPER MANIFOLD (not shown) | A/R  |

Final Rinse Arms



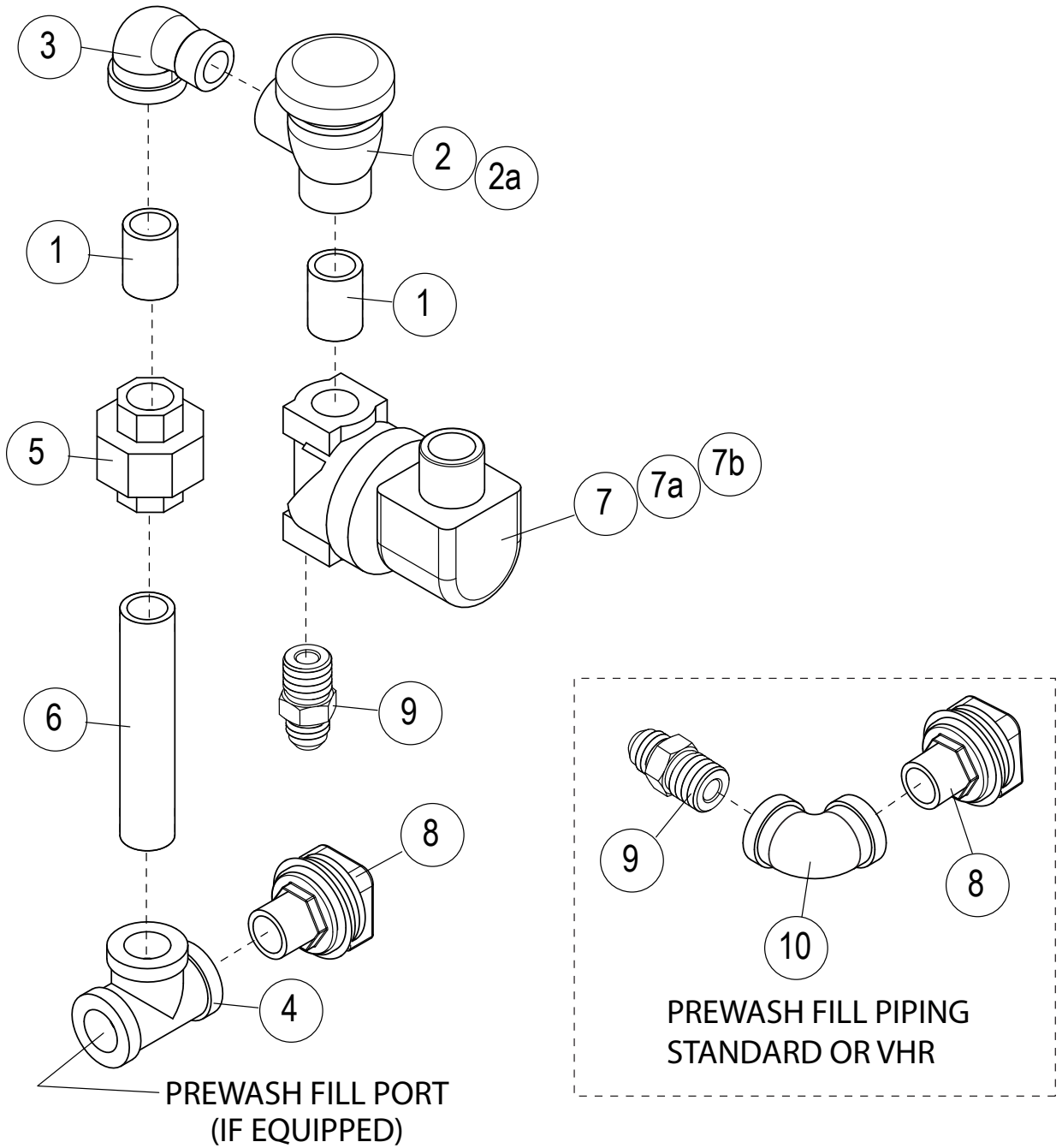
| Item No. | Part No. | Description                         | Qty. |
|----------|----------|-------------------------------------|------|
| 1        | 100135   | GAUGE, PRESSURE, 0-60 PSI           | 1    |
| 2        | 100500   | BREAKER, VACUUM 1/2" NPT BRONZE     | 1    |
| 2a       | 900836   | KIT, REPAIR, VACUUM BREAKER 1/2"    | A/R  |
| 3        | 115530   | ADAPTER                             | 1    |
| 4        | 114435   | THERMISTOR, 10KΩ, 36" LEAD          | 1    |
| 5        | 101259   | PLUG, 1/8" NPT, SQ. HEAD, BRASS     | 1    |
| 6        | 100156   | LOCKNUT, 3/4" NPT BRASS             | 1    |
| 7        | 338340   | MANIFOLD, STANDARD FINAL RINSE, LR  | 1    |
| 7a       | 338341   | MANIFOLD, STANDARD FINAL RINSE, RL  | 1    |
| 7b       | 338342   | MANIFOLD, HIGH HOOD FINAL RINSE, LR | 1    |
| 7c       | 338343   | MANIFOLD, HIGH HOOD FINAL RINSE, RL | 1    |
| 8        | 114291   | WASHER, SILICONE                    | 2    |
| 9        | 114290   | O-RING                              | 2    |
| 10       | 337056   | ARM, FINAL RINSE                    | 2    |
| 11       | 111938   | NOZZLE, FINAL RINSE 8004            | 4    |
| 12       | 113795   | PLUG, RINSE ARM                     | 2    |
| 13       | 113716   | O-RING                              | 2    |
| 14       | 114181   | NOZZLE, FINAL RINSE 8002            | 4    |

Fill/Final Rinse Piping (no booster)



| Item No. | Part No. | Description  | Qty. |
|----------|----------|--|------|
| 1        | 100209   | NIPPLE, 1/2" NPT X CLOSE, BRASS                      | 8    |
| 2        | 100500   | BREAKER, VACUUM 1/2" NPT BRONZE                      | 1    |
| 2a       | 900836   | KIT, REPAIR, VACUUM BREAKER 1/2"                     | A/R  |
| 3        | 100516   | ELBOW, STREET, 1/2" NPT X 90° SST                    | 1    |
| 4        | 100554   | TEE, 1/2" NPT SST                                    | 1    |
| 5        | 101259   | PLUG, 1/8" NPT SQ. HEAD BRASS                        | 1    |
| 6        | 102388   | BUSHING, REDUCING 1/2" NPT X 1/4" NPT BRASS          | 1    |
| 7        | 102438   | ELBOW, STREET, 1/2" NPT X 90°, BRASS                 | 1    |
| 8        | 102463   | NIPPLE, 1/2" NPT X 3" LG. SST                        | 1    |
| 9        | 102504   | PLUG, 1/2" NPT, SQUARE HEAD, BRASS                   | 1    |
| 10       | 102514   | TEE, 1/2" NPT BRASS                                  | 4    |
| 11       | 102549   | UNION, 1/2" NPT BRASS                                | 1    |
| 12       | 104421   | STRAINER, LINE 1/2" NPT, BRONZE                      | 1    |
| 13       | 109886   | VALVE, SOLENOID, 1/2" NPT, HW PARKER                 | 1    |
| 13a      | 109902   | KIT, REPAIR VALVE 1/2"                               | A/R  |
| 13b      | 108516   | COIL, SOLENOID VALVE 120VAC                          | A/R  |
| 14       | 114717   | BUSHING, REDUCING, 1/2" NPT X 1/8" NPT SST           | 1    |
| 15       | 115101   | COUPLING, MALE, 1/2" NPT X 1/2" 37D FLARE, JIC BRASS | 2    |
| 16       | 109812   | GAUGE, PRESSURE, 0-60 PSI                            | 1    |

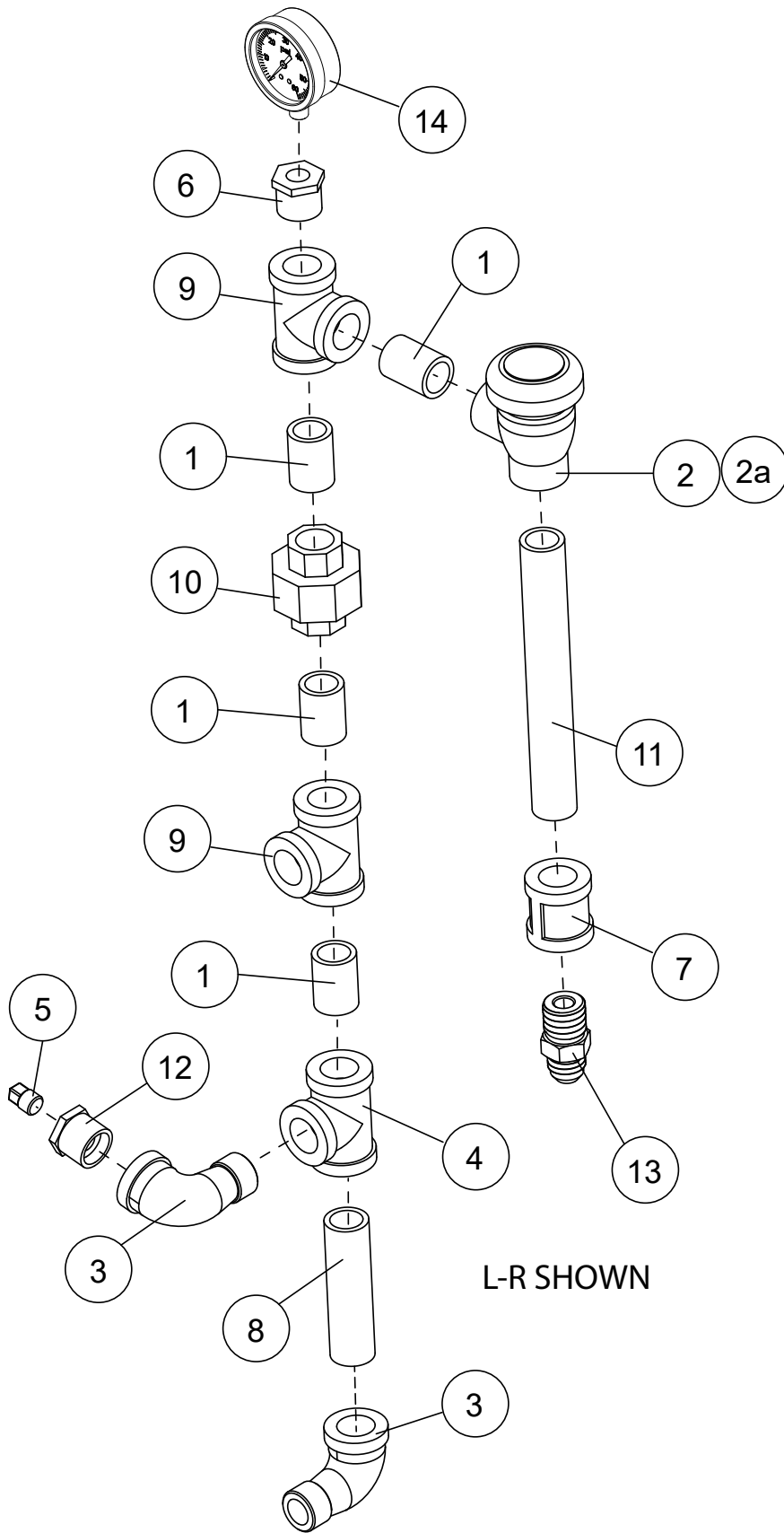
Non-VHR Fill Piping



LEFT HAND SHOWN

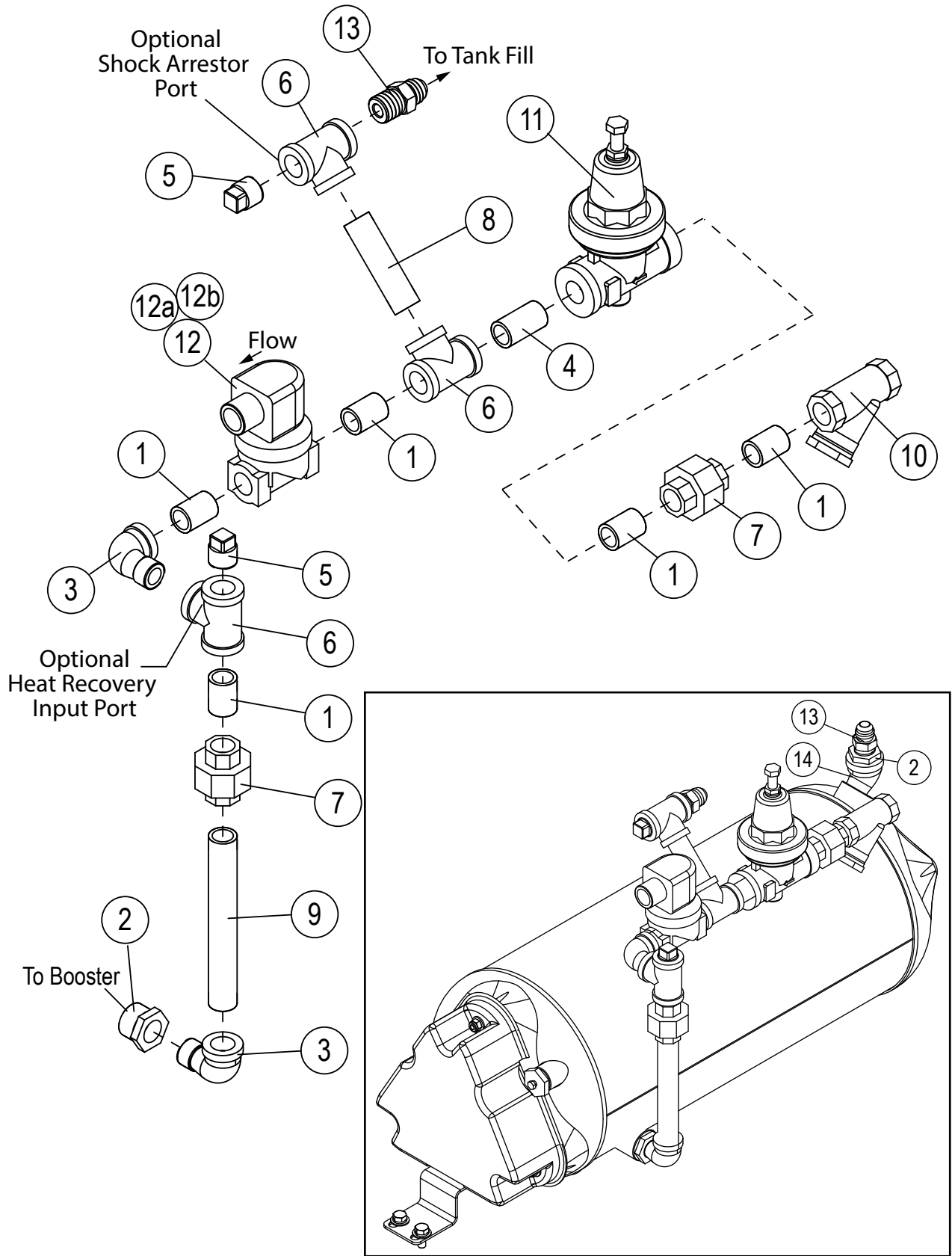
| Item No. | Part No. | Description  | Qty. |
|----------|----------|--|------|
| 1        | 100209   | NIPPLE, 1/2" NPT X CLOSE, BRASS                      | 2    |
| 2        | 100500   | BREAKER, VACUUM 1/2" NPT BRONZE                      | 1    |
| 2a       | 900836   | KIT, REPAIR, VACUUM BREAKER 1/2"                     | A/R  |
| 3        | 102438   | ELBOW, STREET, 1/2" NPT X 90° BRASS                  | 1    |
| 4        | 102514   | TEE, 1/2" NPT BRASS                                  | 1    |
| 5        | 102549   | UNION, 1/2" NPT BRASS                                | 1    |
| 6        | 102571   | NIPPLE, 1/2" X 4-1/4" LG. BRASS                      | 1    |
| 7        | 109886   | VALVE, SOLENOID, 1/2" NPT, HW PARKER                 | 1    |
| 7a       | 109902   | KIT, REPAIR VALVE 1/2"                               | A/R  |
| 7b       | 108516   | COIL, SOLENOID VALVE 120VAC                          | A/R  |
| 8        | 111325   | NOZZLE, FLUSH-N POLISHED, CHROME                     | 2    |
| 9        | 115101   | COUPLING, MALE, 1/2" NPT X 1/2" 37D FLARE, JIC BRASS | 2    |
| 10       | 102435   | ELBOW, 1/2" NPT X 90° BRASS                          | 1    |

Non-VHR Final Rinse Piping (with booster)



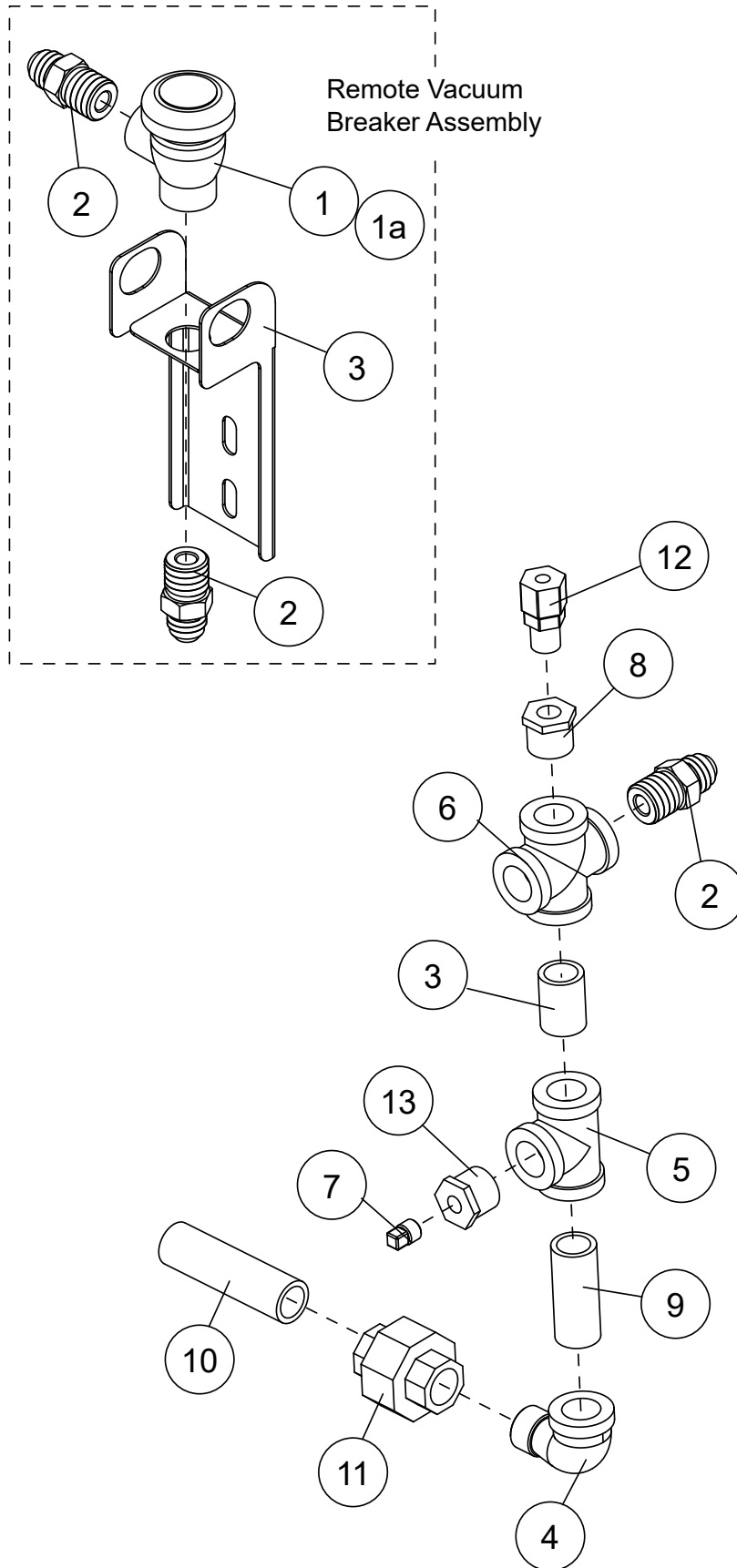
| Item No. | Part No. | Description                                  | Qty. |
|----------|----------|--|------|
| 1        | 100209   | NIPPLE, 1/2" NPT X CLOSE, BRASS              | 4    |
| 2        | 100500   | BREAKER, VACUUM 1/2" NPT BRONZE              | 1    |
| 2a       | 900836   | KIT, VACUUM BREAKER 1/2"                     | A/R  |
| 3        | 100516   | ELBOW, STREET 1/2" NPT X 90° SST             | 2    |
| 4        | 100554   | TEE, 1/2" NPT SST                            | 1    |
| 5        | 101259   | PLUG, 1/8" NPT SQ. HEAD BRASS                | 1    |
| 6        | 102388   | COUPLING, 1/2" NPT, BRASS                    | 1    |
| 7        | 102412   | COUPLING, 1/2" NPT, BRASS                    | 1    |
| 8        | 102463   | NIPPLE, 1/2" NPT X 3" LG. SST                | 1    |
| 9        | 102514   | TEE, 1/2" NPT BRASS                          | 2    |
| 10       | 102549   | UNION, 1/2" NPT BRASS                        | 1    |
| 11       | 102578   | NIPPLE, 1/2" NPT, 6" LG. BRASS               | 1    |
| 12       | 114717   | BUSHING, REDUCING, 1/2" NPT X 1/8" NPT SST   | 1    |
| 13       | 115101   | COUPLING, MALE, 1/2" NPT 37D,FLARE JIC,BRASS | 1    |
| 14       | 109812   | GAUGE, PRESSURE, 0-60 PSI                    | 1    |

Non-VHR Fill Piping with Booster



| Item No. | Part No. | Description                                    | Qty. |
|----------|----------|--|------|
| 1        | 100209   | NIPPLE, 1/2" NPT X CLOSE, BRASS                | 5    |
| 2        | 102392   | BUSHING, REDUCING 3/4" NPT X 1/2" NPT BRASS    | 2    |
| 3        | 102438   | ELBOW, STREET, 1/2" NPT X 90°, BRASS           | 2    |
| 4        | 102485   | NIPPLE, 1/2" NPT X 1-1/2" LG., BRASS           | 1    |
| 5        | 102504   | PLUG, 1/2" NPT, SQUARE HEAD, BRASS             | 2    |
| 6        | 102514   | TEE, 1/2" NPT BRASS                            | 3    |
| 7        | 102549   | UNION, 1/2" NPT BRASS                          | 2    |
| 8        | 102567   | NIPPLE, 1/2" NPT X 3" LG., BRASS               | 1    |
| 9        | 102578   | NIPPLE, 1/2" NPT, 6" LG. BRASS                 | 1    |
| 10       | 104421   | STRAINER, LINE, 1/2" NPT BRONZE                | 1    |
| 11       | 108265   | VALVE, PRESSURE REGULATING, 1/2" NPT BRONZE    | 1    |
| 12       | 109886   | VALVE, SOLENOID, 1/2" NPT, HW PARKER           | 1    |
| 12a      | 109902   | KIT, REPAIR VALVE 1/2"                         | A/R  |
| 12b      | 108516   | COIL, SOLENOID VALVE 120VAC                    | A/R  |
| 13       | 115101   | COUPLING, MALE, 1/2" NPT 37D, FLARE JIC, BRASS | 2    |
| 14       | 113706   | ELBOW, STREET, 3/4" NPT X 45°, BRASS           | 1    |

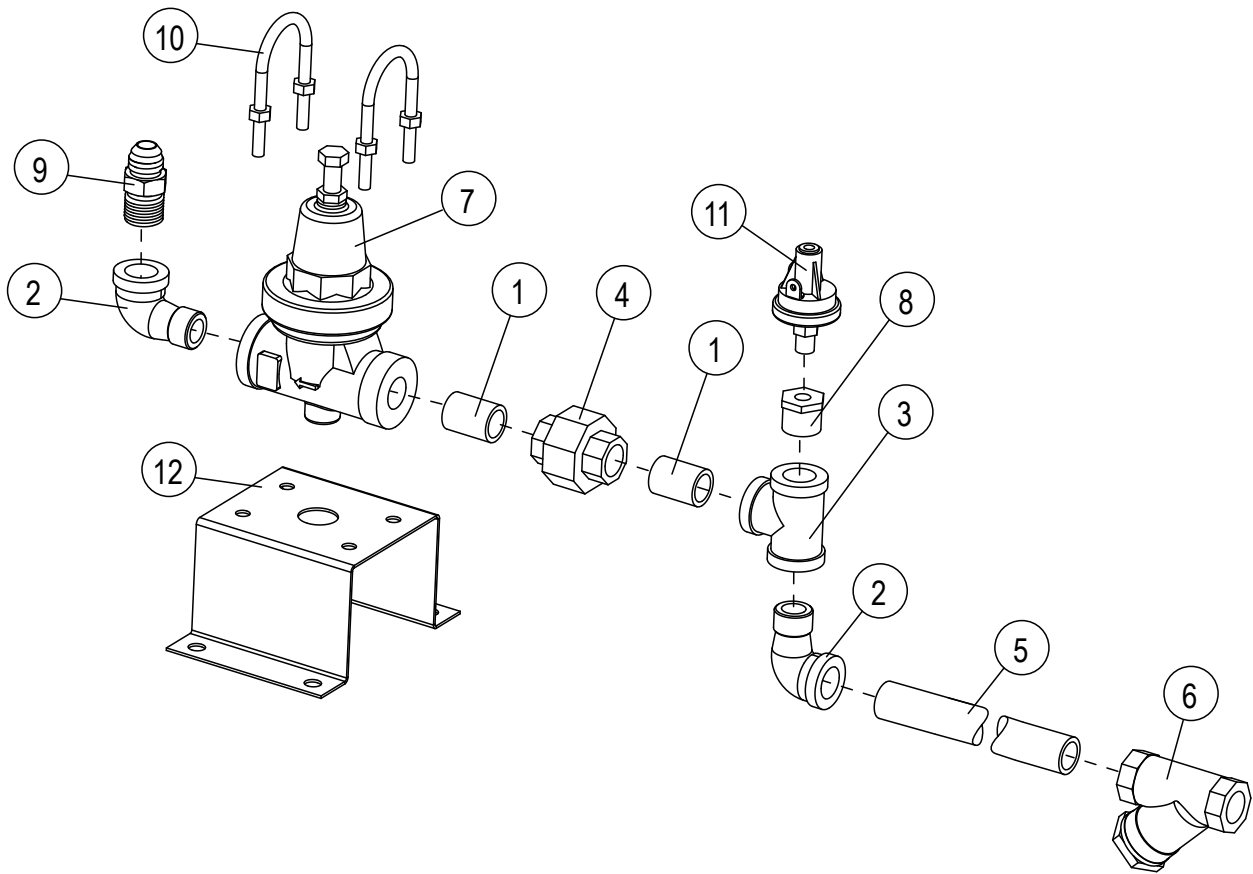
VHR - Final Rinse Piping Assembly with Remote Vacuum Breaker



VHR - Final Rinse Piping Assembly with Remote Vacuum Breaker

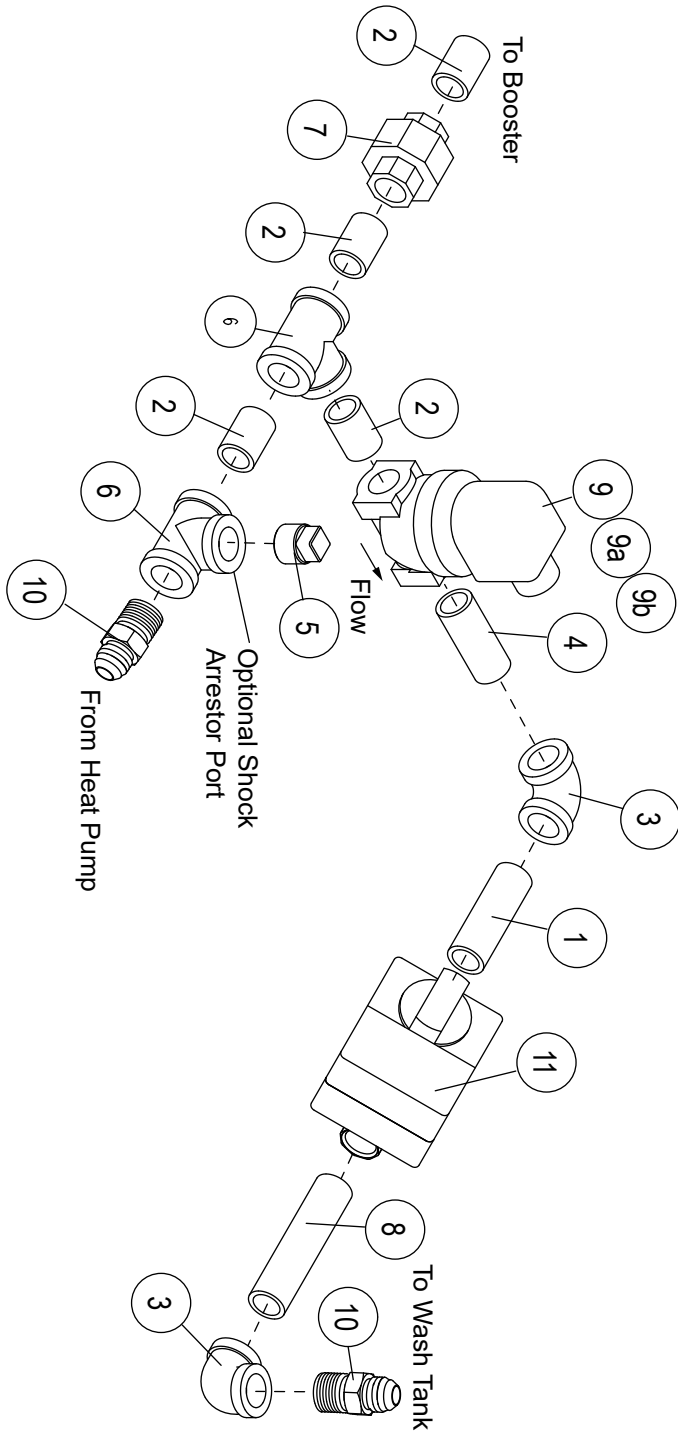
| Item No. | Part No. | Description                                    | Qty. |
|----------|----------|--|------|
| 1        | 100500   | BREAKER, VACUUM 1/2" NPT BRONZE                | 1    |
| 1a       | 900836   | KIT, VACUUM BREAKER 1/2"                       | A/R  |
| 2        | 115101   | COUPLING, MALE, 1/2" NPT 37D,FLARE JIC,BRASS   | 3    |
| 3        | 339983   | BRACKET, VACUUM BREAKER SUPPORT                | 1    |
| 4        | 100516   | ELBOW, STREET,1/2" NPT, SST                    | 1    |
| 5        | 100554   | TEE, 1/2" NPT, SST                             | 1    |
| 6        | 100598   | CROSS, 1/2" NPT, BRASS                         | 1    |
| 7        | 101259   | PLUG, 1/8" NPT, SQUARE HEAD, BRASS             | 1    |
| 8        | 102388   | BUSHING, REDUCING, 1/2" NPT, X 1/4" NPT, BRASS | 1    |
| 9        | 102461   | NIPPLE, 1/2" NPT, X 2" LG.,SST                 | 1    |
| 10       | 102463   | NIPPLE, 1/2" NPT X 3" LG.,SST                  | 1    |
| 11       | 102550   | UNION, 1/2" NPT SST                            |      |
| 12       | 107065   | ADAPTER, 1/4" OD X 1/4" MPT, PLASTIC           | 1    |
| 13       | 114717   | BUSHING, REDUCING, 1/2" NPT X 1/8" NPT         | 1    |

VHR- Cold Water Sub-assembly



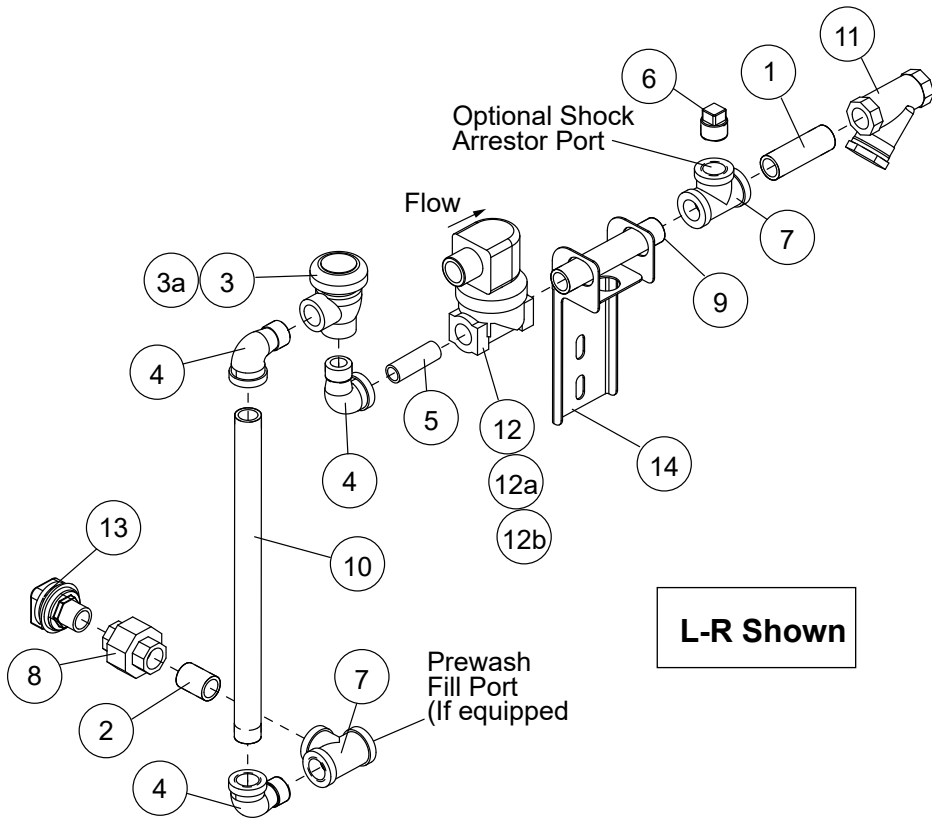
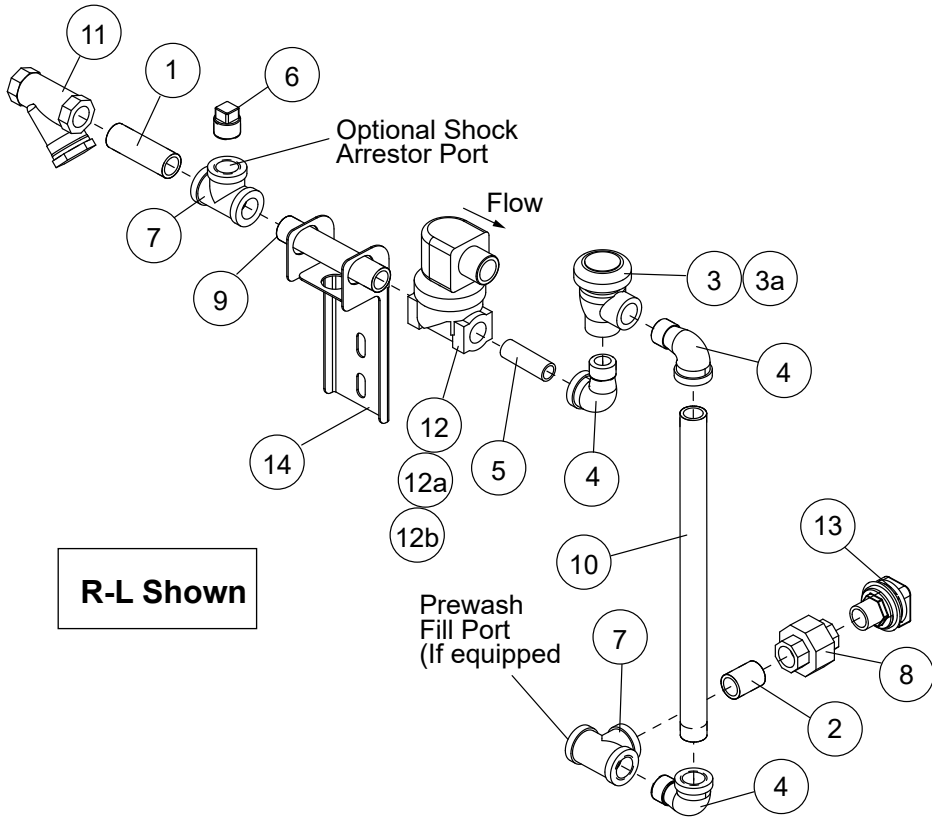
| Item No. | Part No. | Description                                      | Qty. |
|----------|----------|--|------|
| 1        | 100209   | NIPPLE, 1/2" NPT X CLOSE, BRASS                  | 2    |
| 2        | 102438   | ELBOW, STREET, 1/2" 90°, BRASS                   | 2    |
| 3        | 102514   | TEE, 1/2" NPT, BRASS                             | 1    |
| 4        | 102549   | UNION, 1/2" NPT, BRASS                           | 1    |
| 5        | 102585   | NIPPLE, 1/2" NPT X 9" LG., BRASS                 | 1    |
| 6        | 104421   | STRAINER, LINE, 1/2" NPT BRONZE                  | 1    |
| 7        | 108265   | VALVE, PRESSURE REGULATING, 1/2" BRONZE          | 1    |
| 8        | 114717   | BUSHING, REDUCING, 1/2" NPT X 1/8" NPT, SST      | 1    |
| 9        | 115101   | COUPLING, MALE, 1/2" NPT X 1/2" 37D FLARE, BRASS | 1    |
| 10       | 115169   | U-BOLT, 1/4-20 X 1-3/8" LG., THD X 1-1/2" OD     | 2    |
| 11       | 117073   | PRESSURE SWITCH, 15 PSI, SETPOINT, 1/8" MPNT, NO | 1    |
| 12       | 339878   | BRACKET, PRV SUPPORT, CW, PRO-VHR                | 1    |

VHR - Auto Modulating Discharge Valve



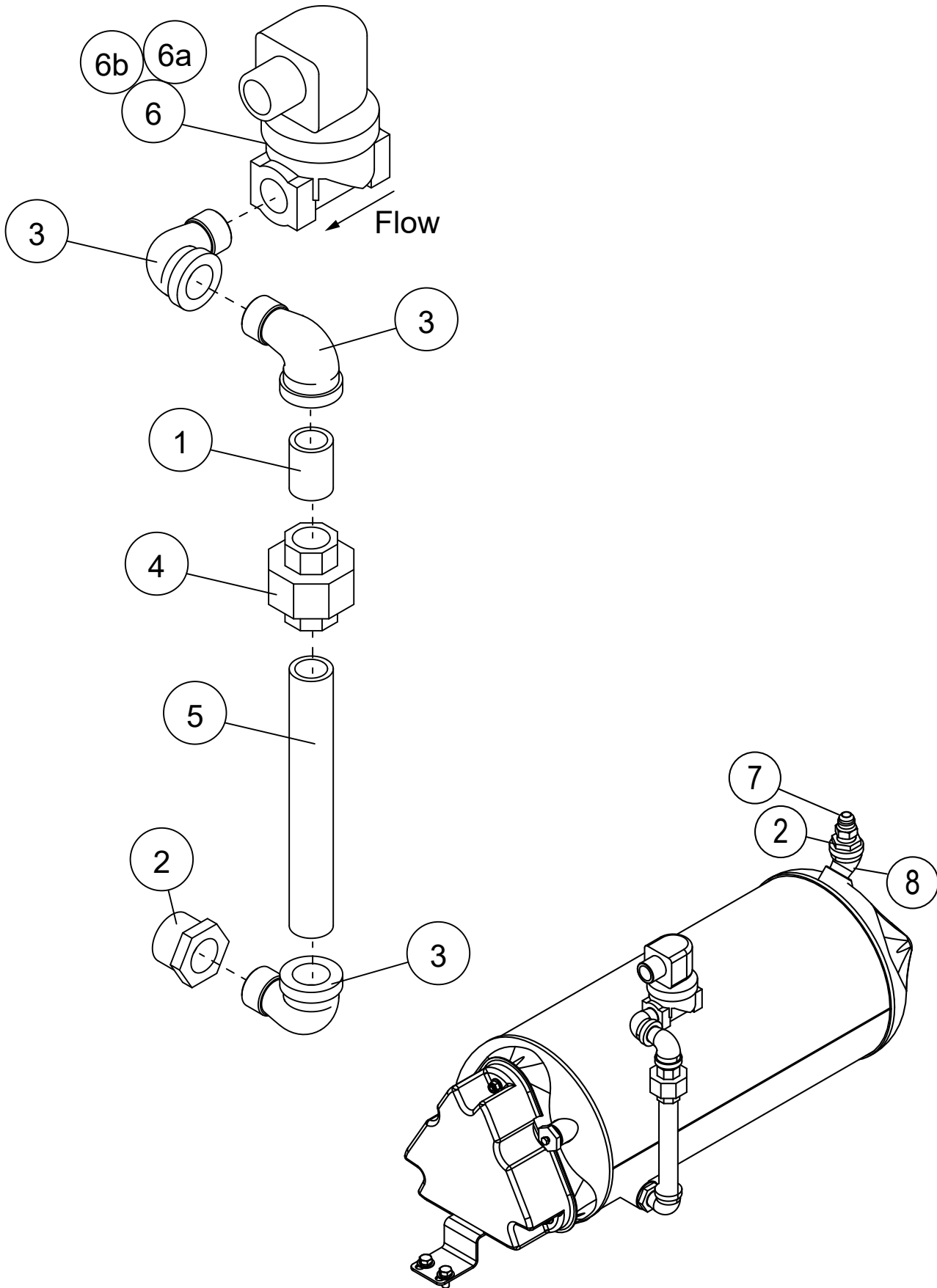
| Item No. | Part No. | Description                                      | Qty. |
|----------|----------|--|------|
| 1        | 100206   | NIPPLE, 1/2" NPT X 2-1/2" LG., BRASS             | 1    |
| 2        | 100209   | NIPPLE, 1/2" NPT X CLOSE, BRASS                  | 4    |
| 3        | 102435   | ELBOW, 1/2" NPT X 90° BRASS                      | 2    |
| 4        | 102492   | NIPPLE, 1/2" NPT X 2" LG., BRASS                 | 1    |
| 5        | 102504   | PLUG, 1/2" NPT SQUARE HEAD, BRASS                | 1    |
| 6        | 102514   | TEE, 1/2" NPT, BRASS                             | 2    |
| 7        | 102549   | UNION, 1/2" NPT, BRASS                           | 1    |
| 8        | 102569   | NIPPLE, 1/2" NPT X 3-1/2" LG., BRASS             | 1    |
| 9        | 109886   | VALVE, SOLENOID 1/2" NPT, HW                     | 1    |
| 9a       | 109902   | KIT, REPAIR VALVE 1/2"                           | A/R  |
| 9b       | 108516   | COIL, SOLENOID VALVE 120VAC                      | A/R  |
| 10       | 115101   | COUPLING, MALE, 1/2" NPT X 1/2" 37D FLARE, BRASS | 2    |
| 11       | 116935   | MODULATING VALVE, DISCHARGE, VHR                 | 1    |

VHR - Fill Piping Assembly (One Tank)

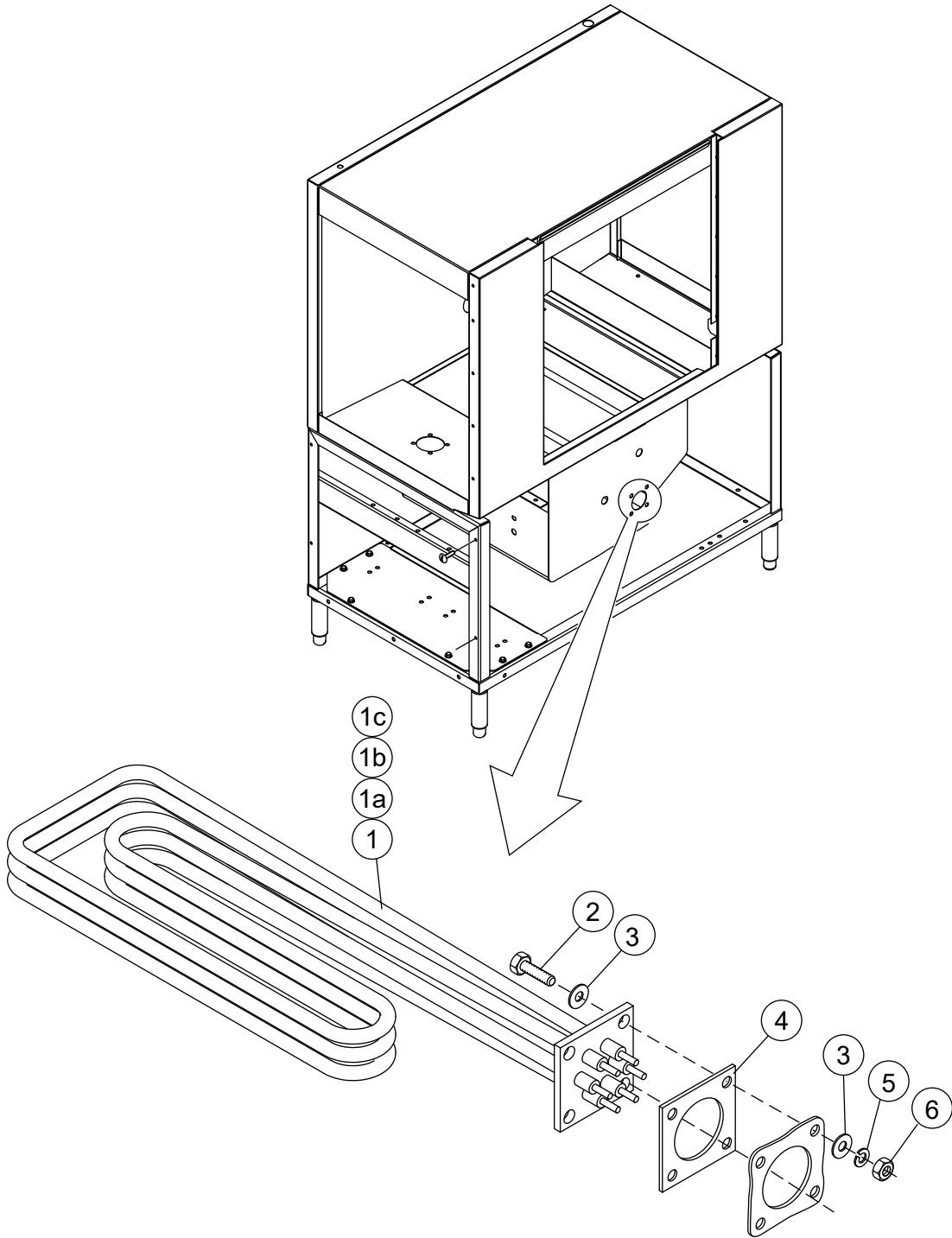


| Item No. | Part No. | Description                              | Qty. |
|----------|----------|--|------|
| 1        | 100206   | NIPPLE, 1/2" NPT X 2-1/2" LG., BRASS     | 1    |
| 2        | 100209   | NIPPLE, 1/2" NPT X CLOSE, BRASS          | 1    |
| 3        | 100500   | BREAKER, VACUUM, 1/2" NPT, BRONZE        | 1    |
| 3a       | 900836   | KIT, VACUUM BREAKER 1/2"                 | A/R  |
| 4        | 102438   | ELBOW, STREET, 1/2" 90°, BRASS           | 3    |
| 5        | 102485   | NIPPLE, 1/2" NPT X 1-1/2" LG., BRASS     | 1    |
| 6        | 102504   | PLUG, 1/2" NPT SQUARE HEAD, BRASS        | 1    |
| 7        | 102514   | TEE, 1/2" NPT, BRASS                     | 2    |
| 8        | 102549   | UNION, 1/2" NPT, BRASS                   | 1    |
| 9        | 102571   | NIPPLE, 1/2" NPT X 4-1/4" LG., BRASS     | 1    |
| 10       | 102594   | NIPPLE, 1/2" NPT X 12" LG., BRASS        | 1    |
| 11       | 104421   | STRAINER, LINE 1/2" NPT BRONZE           | 1    |
| 12       | 109886   | VALVE, SOLENOID, 1/2" NPT, HW PARKER     | 1    |
| 12a      | 109902   | KIT, REPAIR VALVE 1/2"                   | A/R  |
| 12b      | 108516   | COIL, SOLENOID VALVE 120VAC              | A/R  |
| 13       | 111325   | NOZZLE, FLUSH-N, POLISHED CHROME         | 1    |
| 14       | 339983   | FILL PIPING/VACUUM BREAKER SUPPORT BRKT. | 1    |

VHR - Booster Piping, Main Connection Sub-assembly

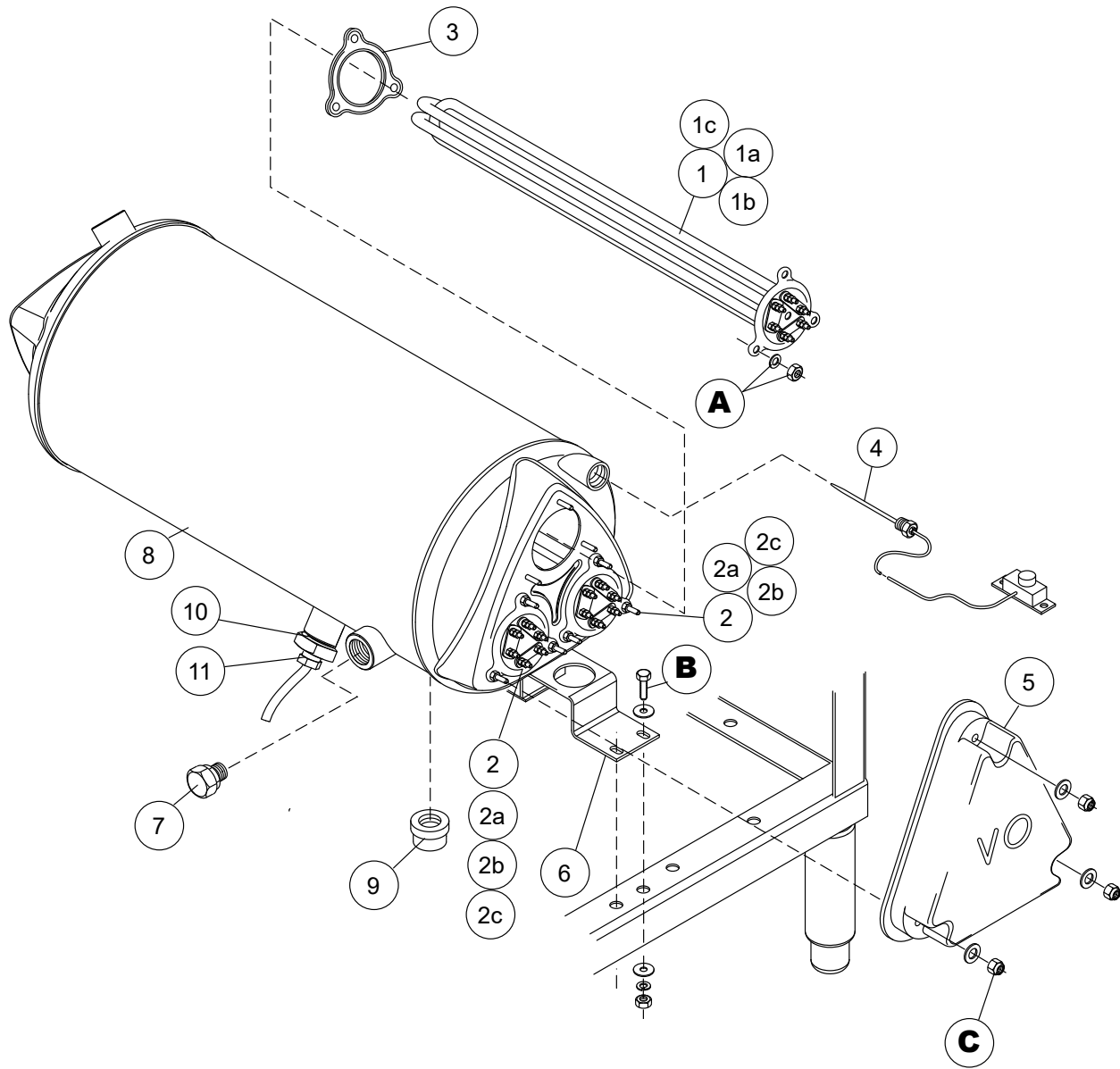


| Item No. | Part No. | Description                                      | Qty. |
|----------|----------|--|------|
| 1        | 100209   | NIPPLE, 1/2" NPT X CLOSE BRASS                   | 1    |
| 2        | 102392   | BUSHING, REDUCING, 3/4" NPT, X 1/2" NPT BRASS    | 2    |
| 3        | 102438   | ELBOW, STREET, 1/2" NPT X 90° BRASS              | 3    |
| 4        | 102549   | UNION, 1/2" NPT BRASS                            | 1    |
| 5        | 102578   | NIPPLE, 1/2" NPT X 6" LG. BRASS                  | 1    |
| 6        | 109886   | VALVE, SOLENOID, 1/2" NPT, HW, 120VAC COIL       | 1    |
| 6a       | 109902   | KIT, REPAIR VALVE 1/2"                           | A/R  |
| 6b       | 108516   | COIL, SOLENOID VALVE, 120VAC                     | A/R  |
| 7        | 115101   | COUPLING, MALE, 1/2" NPT X 1/2" 37D FLARE, BRASS | 1    |
| 8        | 113706   | ELBOW, STREET, 3/4" NPT X 45°, BRASS             | 1    |



| Item No. | Part No. | Description                                    | Qty. |
|----------|----------|--|------|
| 1        | 113516   | HEATER, 15/18 kw, 200-220V/1 & 3, 380V/3       | 1    |
| 1a       | 113517   | HEATER, 15/16.3 kw, 230-240V/1 & 3, 400-415V/3 | 1    |
| 1b       | 113518   | HEATER, 15/16.3 kw, 460-480V/3                 | 1    |
| 1c       | 113519   | HEATER, 15 kw, 575/3                           | 1    |
| 2        | 100153   | BOLT, 3/8-16 X 1" HEX HEAD, SST                | 4    |
| 3        | 104618   | WASHER, FLAT 3/8" SST                          | 8    |
| 4        | 108345   | GASKET, 3" X 3" X 1/8", 2" HOLE                | 1    |
| 5        | 106407   | WASHER, LOCK, 3/8", SPLIT SST                  | 4    |
| 6        | 100140   | NUT, PLAIN, 3/8-16, SST                        | 4    |

Electric Booster



| Item No. | Part No. | Description                           | Qty. |
|----------|----------|---------------------------------------|------|
| 1        | 111334   | HEATER, 9kW, 208-220V/380V            | 1    |
| 1a       | 111305   | HEATER, 9kW, 230-240/415V             | 1    |
| 1b       | 108579   | HEATER, 9kW, 480V                     | 1    |
| 1c       | 111122   | HEATER, 9kW, 575V                     | 1    |
| 2        | 107909   | HEATER, 6kW, 208-220V                 | 2    |
| 2a       | 114030   | HEATER, 6kW, 230-240V                 | 2    |
| 2b       | 114031   | HEATER, 6kW, 480V                     | 2    |
| 2c       | 114032   | HEATER, 6kW 575V                      | 2    |
| 3        | 109985   | SEAL, HEATER FLANGE                   | 3    |
| 4        | 110561   | THERMOSTAT, FIXED, HIGH LIMIT, 240°F  | 1    |
| 5        | 108576   | COVER, BOOSTER                        | 1    |
| 6        | 328254   | BRACKET, FRONT BOOSTER                | 1    |
| 7        | 102505   | PLUG, 3/4"NPT BRASS                   | 1    |
| 8        | 414331   | TANK, BOOSTER                         | 1    |
| 9        | 100113   | CAP, 3/4" NPT SST                     | 1    |
| 10       | 115530   | ADAPTER                               | 1    |
| 11       | 117270   | THERMISTOR, 10KΩ, 8.25" LG., 36" LEAD | 1    |

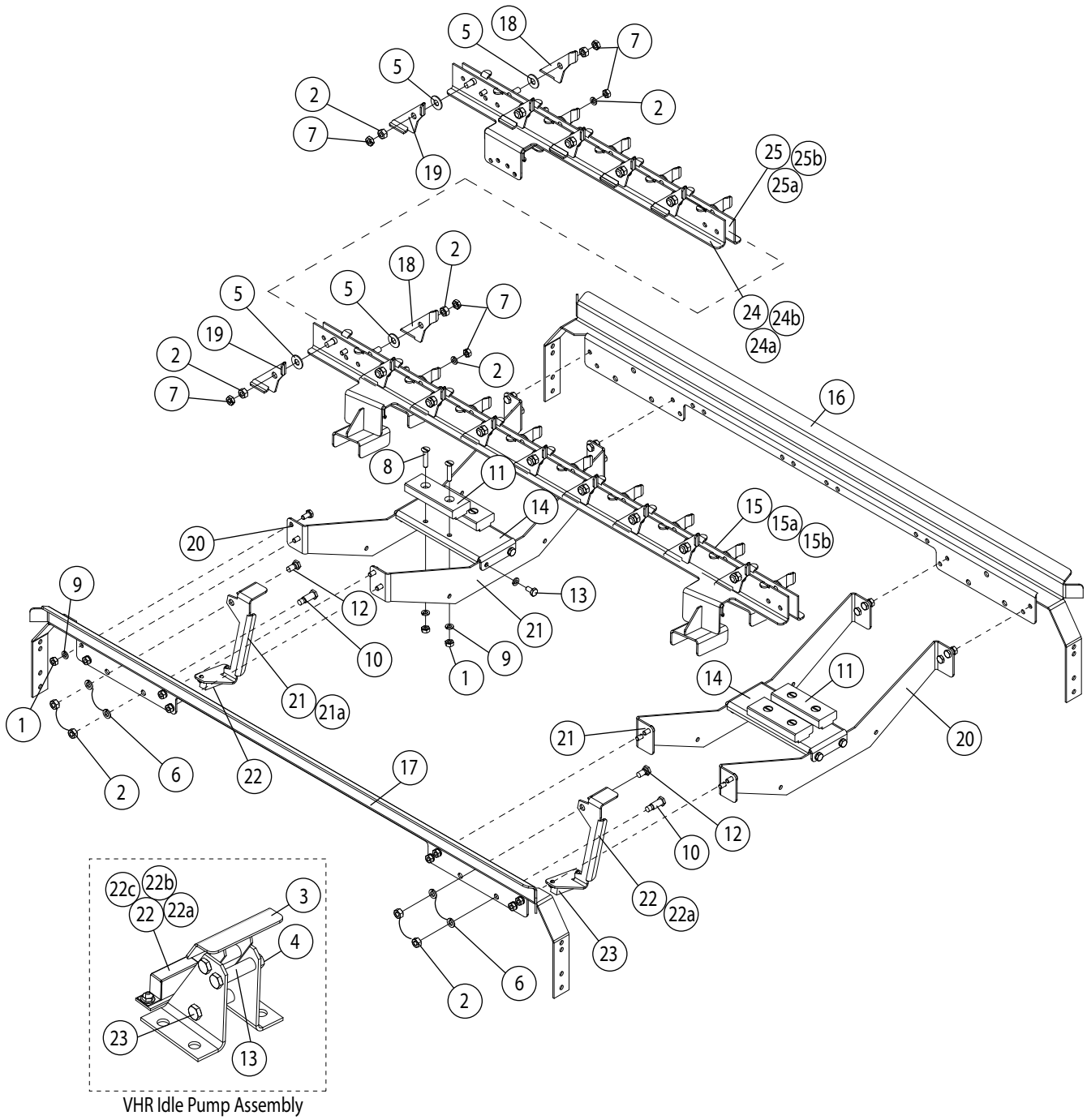
|   |                                    |                         |   |
|---|------------------------------------|-------------------------|---|
| A | HEATER FASTENERS (QTY. PER HEATER) |                         |   |
|   | 100003                             | NUT, PLAIN 1/4-20 SST   | 3 |
|   | 106482                             | WASHER, LOCK 1/4" SPLIT | 3 |

|   |                        |                                   |   |
|---|------------------------|-----------------------------------|---|
| B | BOOSTER TANK FASTENERS |                                   |   |
|   | 100739                 | BOLT, 5/16-18 X 3/4" HEX HEAD SST | 4 |
|   | 106013                 | WASHER, LOCK 5/16" SPLIT SST      | 4 |
|   | 109009                 | NUT, GRIP 5/16" W/NYLON INSERT    | 2 |

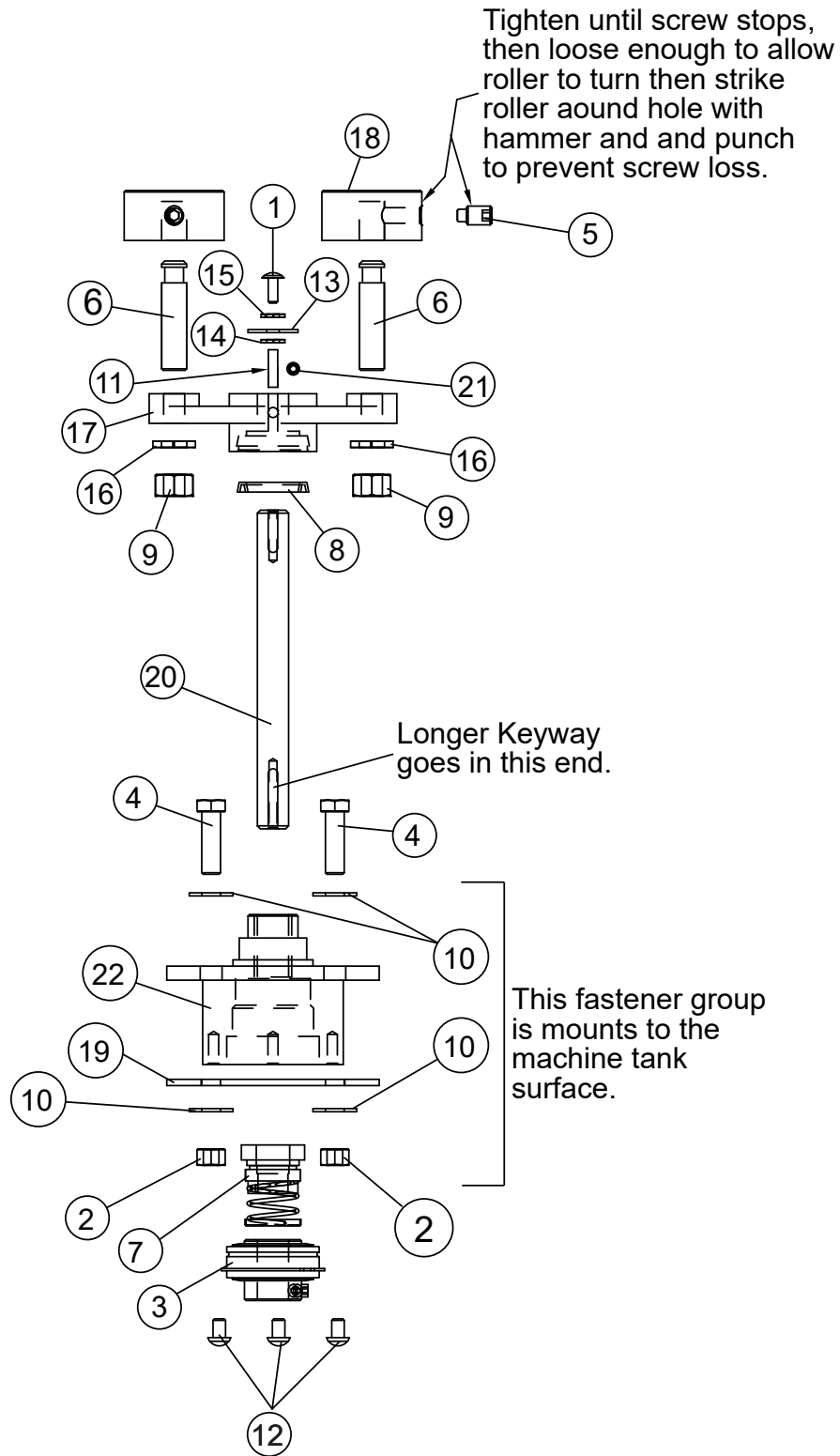
|   |                        |                                 |   |
|---|------------------------|---------------------------------|---|
| C | HEATER COVER FASTENERS |                                 |   |
|   | 107967                 | NUT, GRIP 1/4-20 W/NYLON INSERT | 3 |
|   | 106026                 | WASHER, FLAT 1/4"               | 3 |

| BOOSTER HEATER LOCATIONS |           |              |                              |
|--------------------------|-----------|--------------|------------------------------|
| VOLTAGE                  | TOP (9kW) | BOTTOM (6kW) | WIRING NOTES                 |
| 208-220/380              | 111334    | 107909       | 380V WIRED WYE, OTHERS DELTA |
| 230-240/415              | 111305    | 114030       | 415V WIRED WYE, OTHERS DELTA |
| 460-480                  | 108579    | 114031       | WIRED DELTA                  |
| 575                      | 111122    | 114032       | WIRED DELTA                  |

# Pawl Bars and Tracks

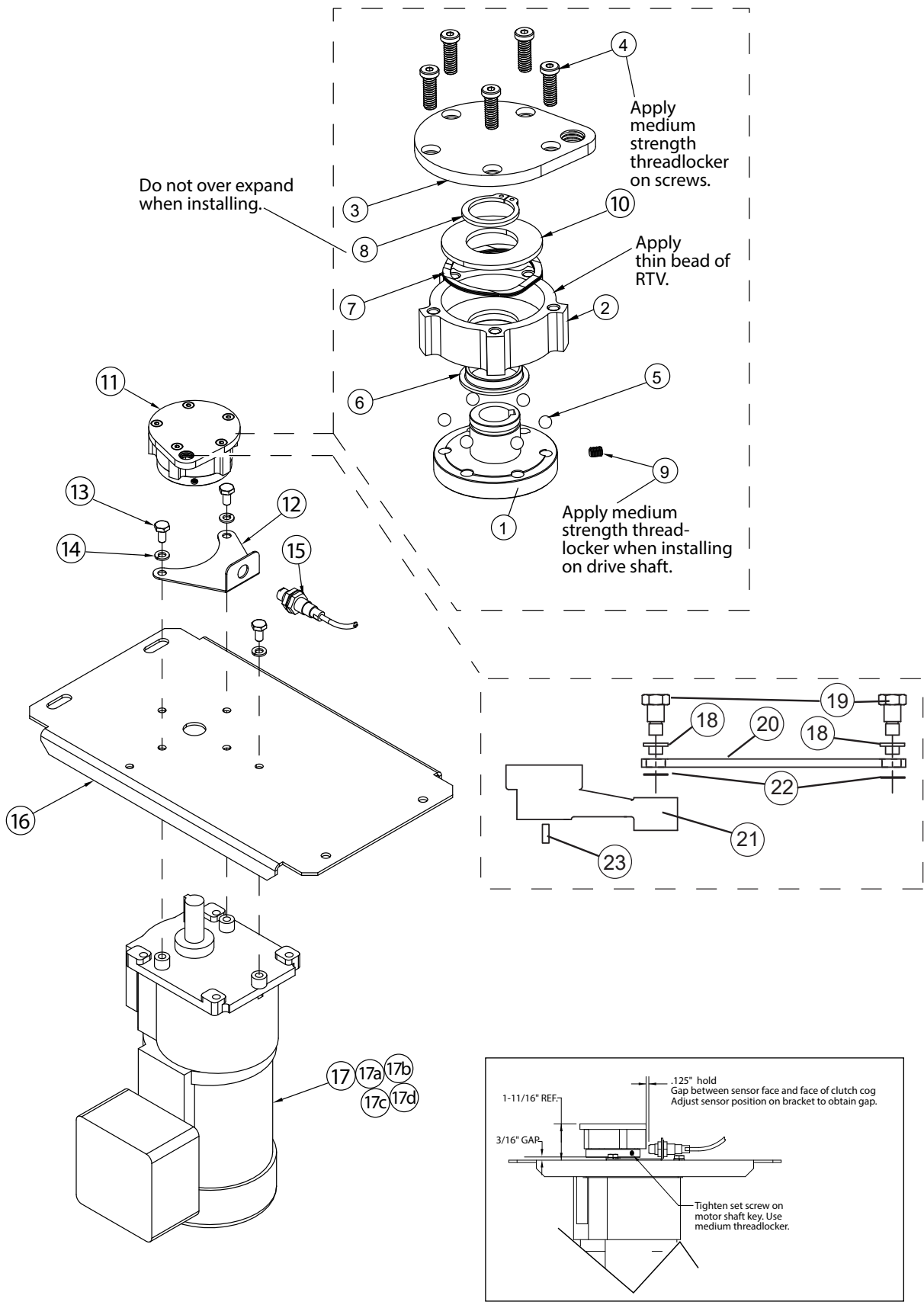


| Item No. | Part No. | Description                                | Qty. |
|----------|----------|--|------|
| 1        | 100003   | HEX, PLAIN NUT, 1/4-20 SST                 | 36   |
| 2        | 100154   | HEX, PLAIN NUT, 5/16-18 SST                | 22   |
| 3        | 337720   | WELDMENT, SWITCH                           | 1    |
| 4        | 100141   | HEX GRIP, NUT 1/4-20 CRT. LOCK SST         | 3    |
| 5        | 104618   | WASHER, FLAT 3/8 SST                       | 18   |
| 6        | 106013   | WASHER, LOCK 5/16, SPLIT SST               | 4    |
| 7        | 106198   | HEX, PLAIN JAM NUT, 5/16-18 SST            | 18   |
| 8        | 106474   | SCREW, FLAT HEAD, 1/4-20 X 1-1/4" SST      | 8    |
| 9        | 106482   | WASHER, LOCK 1/4" SPLIT SST                | 44   |
| 10       | 113692   | SCREW, 3/8" X 3/4" X 5/16-18 SHOULDER, SST | 2    |
| 11       | 116333   | BEARING BLOCK, UHMW                        | 4    |
| 12       | 116470   | SCREW, 3/8" X 1/8" X 5/16-18 SHOULDER SST  | 2    |
| 13       | 105303   | SPACER, SST                                | 2    |
| 14       | 337303   | CROSSRAIL, BEARING MOUNT                   | 2    |
| 15       | 420923   | PAWL BAR, PRO44-VHR, RH                    | 1    |
| 15a      | 420922   | PAWL BAR, PRO44 LH                         | 1    |
| 15b      | 420924   | PAWL BAR, 44PRO-VHR, LH                    | 1    |
| 16       | 337078   | TRACK                                      | 2    |
| 17       | 420921   | PAWL BAR, 44PRO RH                         | 1    |
| 18       | 337602-1 | PAWL                                       | A/R  |
| 19       | 337602-2 | PAWL                                       | A/R  |
| 20       | 337302   | CROSSRAIL, SUPPORT                         | 4    |
| 21       | 338180-1 | IDLE PUMP/FINAL RINSE LEVER LR             | 2    |
| 21a      | 338180-2 | IDLE PUMP/FINAL RINSE LEVER RL             | 2    |
| 22       | 113937   | MAGNET                                     | 1    |
| 22a      | 104883   | SCREW, 6-32 X 3/8" ROUND HEAD SST          | 2    |
| 22b      | 104971   | NUT, GRIP 6-32 SST                         | 2    |
| 22c      | 107033   | WASHER, FLAT                               | 2    |
| 23       | 107999   | BOLT, HEX HEAD 1/4-20 X 1-3/4" SST         | 3    |
| 24       | 421192   | VHR, 22" PAWL BAR ASSY., RH, GEN2          | 1    |
| 24a      | 421214   | PRO, 36" PAWL BAR ASSY., RH, GEN2          | 1    |
| 24b      | 421216   | VHR, 36" PAWL BAR ASSY., RH, GEN2          | 1    |
| 25       | 421191   | VHR, 22" PAWL BAR ASSY., LH, GEN2          | 1    |
| 25a      | 421213   | PRO, 36" PAWL BAR ASSY., LH, GEN2          | 1    |
| 25b      | 421215   | VHR, 36" PAWL BAR ASSY., LH, GEN2          | 1    |
| ---      | 113719   | SWITCH, REED (NOT SHOWN)                   | 1    |

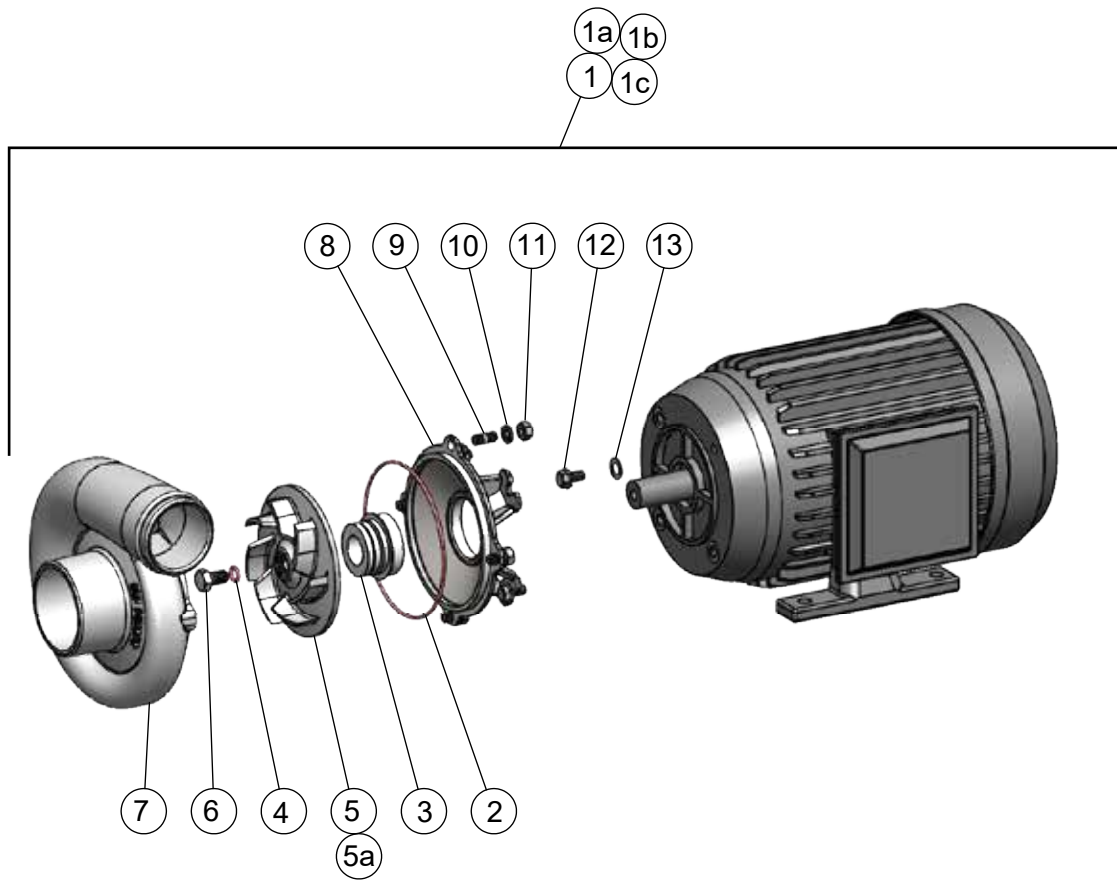


| Item No. | Part No. | Description                          | Qty. |
|----------|----------|--------------------------------------|------|
| 1        | 100097   | SCREW, TRUSS HEAD, 10-32 X 1/2" SST  | 1    |
| 2        | 109010   | HEX NUT, 3/8-16 SST, NYLON GRIP      | 4    |
| 3        | 100382   | BEARING, RACK, DRIVE                 | 1    |
| 4        | 100746   | BOLT, HEX HEAD, 3/8-16 X 1-1/4" SST  | 4    |
| 5        | 100769   | SCREW SET 3/8-16 X 3/4", DOG POINT   | 2    |
| 6        | 100868   | ROLLER, STUD, CROSSHEAD              | 2    |
| 7        | 102244   | SEAL, 5/8, 2-PIECE                   | 1    |
| 8        | 103180   | WIPER RING, CRANK, RACKS             | 1    |
| 9        | 104584   | HEX PLAIN NUT, 1/2-13 SST            | 2    |
| 10       | 104618   | WASHER, FLAT 3/8" SST                | 8    |
| 11       | 104916   | KEY, 3/16" X 3/16" X 3/4" SST        | 1    |
| 12       | 104923   | SCREW, ROUND HEAD, 1/4-20 X 3/8" SST | 4    |
| 13       | 104925   | WASHER, FLAT, 1/4" SST               | 1    |
| 14       | 107364   | WASHER, FIBER, 1/4" ID X 7/8" OD     | 1    |
| 15       | 106482   | WASHER, LOCK 1/4" SPLIT, SST         | 1    |
| 16       | 107589   | WASHER, LOCK, 1/2" SPLIT, SST        | 2    |
| 17       | 116932   | DRIVE, CRANK CASTING                 | 1    |
| 18       | 202381   | ROLLER, CROSSHEAD, RACK MACHINE      | 2    |
| 19       | 206303   | GASKET, BEARING HOUSING              | 1    |
| 20       | 207430   | SHAFT, DRIVE, V2 RACK                | 1    |
| 21       | 0501395  | SET SCREW, 1/4-20 X 5/16" SST        | 1    |
| 22       | B1074-1  | BEARING, HOUSING, WITH BUSHING       | 1    |

# Clutch Style - Continual Drive Assembly



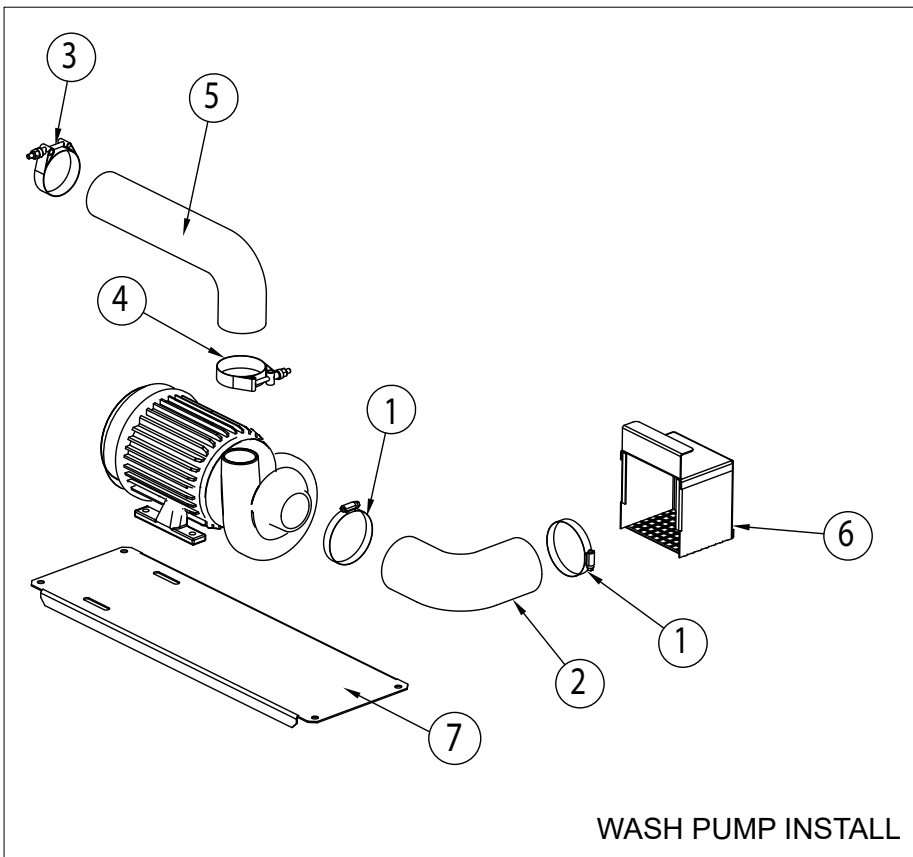
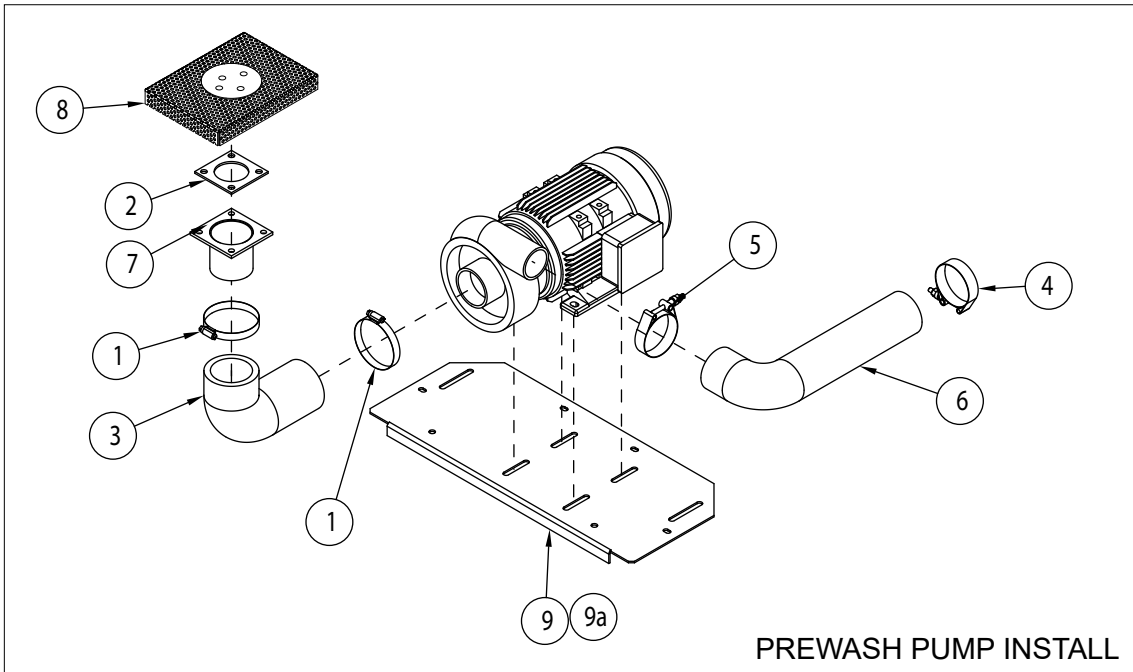
| Item No.        | Part No. | Description                                       | Qty. |
|-----------------|----------|---|------|
| 1               | 117044   | DRIVE CLUTCH, LOWER HUB                           | 1    |
| 2               | 117045   | DRIVE CLUTCH, OUTER HUB                           | 1    |
| 3               | 117046   | CLUTCH LINKAGE                                    | 1    |
| 4               | 117050   | LOW PROFILE BOLT, 1/4-20                          | 5    |
| 5               | 117051   | .250" STAINLESS STEEL BALL                        | 6    |
| 6               | 117052   | GFI-1618-04 IGUS BEARING                          | 1    |
| 7               | 117109   | SMALLEY WAVE SPRING                               | 1    |
| 8               | 117110   | HEAVY DUTY RETAINING SPRING                       | 1    |
| 9               | 117111   | 10-32 SS NON-MARRING SET SCREW                    | 1    |
| 10              | 339623   | PRO-DRIVE CLUTCH SPRING RETAINER                  | 1    |
| 11              | 454231   | PRO DRIVE CLUTCH                                  | 1    |
| 12              | 339377   | DRIVE CLUTCH SENSOR BRACKET                       | 1    |
| 13              | 100734   | BOLT, HEX HEAD, 1/4-20 X 1/2" SST                 | 3    |
| 14              | 106482   | WASHER, LOCK, 1/4" SPLIT SST                      | 3    |
| 15              | 117108   | SENSOR, PROXIMITY                                 | 1    |
| 16              | 338708   | BRACKET, CONTINUAL DRIVE MTR. SUPPORT             | 1    |
| 17              | 116533   | GEARMOTOR, 1/6HP, MV/3PH, 16 RPM                  | A/R  |
| 17a             | 116749   | GEARMOTOR, 1/6HP, 575/3PH, 16 RPM                 | A/R  |
| 17b             | 116682   | GEARMOTOR, 1/6HP, 208-240/1PH, 16 RPM             | A/R  |
| (44 PRO FAMILY) |          |   |      |
| 17c             | 111768   | GEARMOTOR, 1/6HP, MV/3PH, 20RPM                   | A/R  |
| 17d             | 117680   | GEARMOTOR, 1/6HP, 575/3PH, 20 RPM                 | A/R  |
| (54 PRO FAMILY) |          |   |      |
| 18              | 116364   | BUSHING, 5/8" X 7/8" X 1/2" LG. FL                | 2    |
| 19              | 116638   | BOLT, SHOULDER, 5/8" X 5/8" X 1/2-13 SST HEX HEAD | 2    |
| 20              | 337082   | LINKAGE, DRIVE                                    | 1    |
| 21              | 202386   | CRANK, SST MACHINED                               | 1    |
| 22              | 104882   | WASHER  | 2    |
| 23              | 104915   | KEY, 3/16" X 3/16" X 1-1/4"                       | 1    |



| Item No.  | Part No. | Description  | Qty... |
|---|----------|--|--------|
| <b>NOTE: MP pumps are BLUE in color - SCOT pumps are GRAY in color.</b> |          |  |        |
| 1   | 116521   | WASH PUMP/MOTOR, 2HP, MV/3, COMPLETE (BLUE MP)     | 1      |
| 1a  | 117152   | WASH PUMP/MOTOR, 2HP, MV/3, COMPLETE (GRAY Scot)   | 1      |
| 1b  | 116745   | WASH PUMP/MOTOR, 2HP, 575V/3, COMPLETE (BLUE MP)   | 1      |
| 1c  | 117153   | WASH PUMP/MOTOR, 2HP, 575V/3, COMPLETE (GRAY SCOT) | 1      |
| 2*  | 116729   | O-RING HOUSING,                                    | 1      |
| 3*  | 116730   | SEAL   | 1      |
| 4*  | 116757   | O-RING IMPELLER                                    | 1      |
| 5*  | 116735   | IMPELLER, WASH PUMP (BLUE MP)                      | 1      |
| 5a  | 117291   | IMPELLER, WASH PUMP (GRAY SCOT)                    | 1      |
| 6*  | 116736   | BOLT, M8 X 14, LEFT-HAND                           | 1      |
| 7*  | 116870   | HOUSING, PUMP                                      | 1      |
| 8*  | 116871   | PLATE, ADAPTER                                     | 1      |
| 9*  | 116739   | STUD, 1/4-20                                       | 4      |
| 10*   | 116740   | 1/4" WASHER, LOCK 1/4"                             | 4      |
| 11*   | 116741   | 1/4-20 NUT, HEX HEAD 1/4-20                        | 4      |
| 12*   | 116742   | BOLT   | 4      |
| 13*   | 116743   | WASHER   | A/R    |

**\* Includes items 2-13 (BLUE MP)**

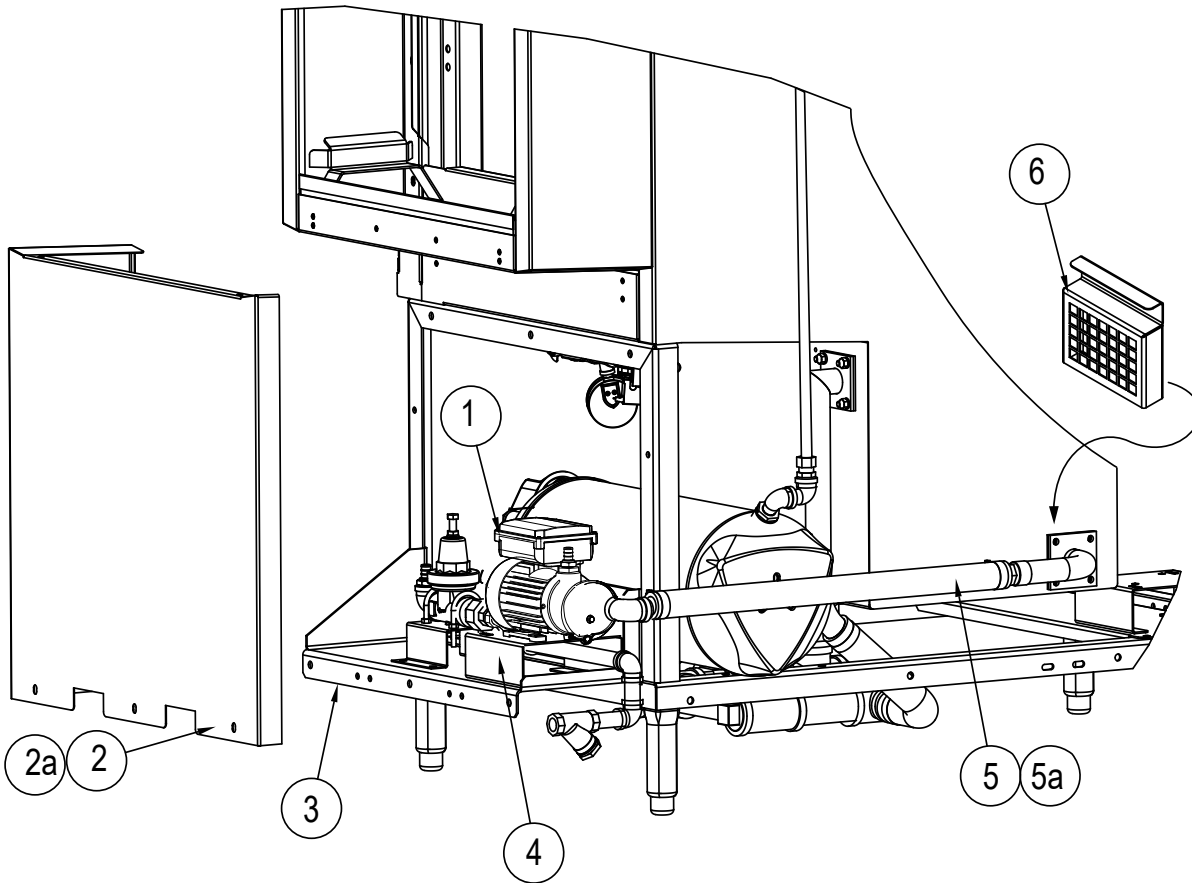
|     |        |  |     |
|-----|--------|--|-----|
| --- | 901121 | 2HP KIT, REPLACEMENT PARTS (BLUE MP)             | A/R |
| --- | 901122 | 2HP KIT, PUMP SEAL PARTS (BLUE MP)               |     |
| --- | 116868 | MOTOR ONLY (208/240/480/60/3) (BLUE MP)          | A/R |
| --- | 116869 | MOTOR ONLY, 575V/60/3 (BLUE MP)                  | A/R |
| --- | 117293 | 2HP, PUMP, WET END ASSY,. (No Motor) (GRAY SCOT) | A/R |
| --- | 117164 | KIT, (SEAL, O-RING, KEY, SLINGER) (GRAY SCOT)    | A/R |



| Item No.        | Part No. | Description                      | Qty. |
|-----------------|----------|----------------------------------|------|
| PREWASH INSTALL |          |                                  |      |
| 1               | 104203   | CLAMP, HOSE M52 GEAR-TYPE SST    | 2    |
| 2               | 109568   | GASKET                           | 1    |
| 3               | 110372   | HOSE, PUMP SUCTION               | 1    |
| 4               | 110858   | HOSE CLAMP, HIGH PRESSURE        | 1    |
| 5               | 111964   | HOSE CLAMP, HIGH PRESSURE        | 1    |
| 6               | 113731   | HOSE, PUMP DISCHARGE             | 1    |
| 7               | 307995   | FLANGE, SUCTION                  | 1    |
| 8               | 341145   | SCREEN, SUCTION                  | 1    |
| 9               | 337209   | PLATE, PUMP MOTOR SUPPORT, 22PRO | 1    |
| 9a              | 339761   | PLATE, PUMP MOTOR SUPPORT, 36PRO | 1    |

| Item No.     | Part No. | Description                   | Qty. |
|--------------|----------|-------------------------------|------|
| WASH INSTALL |          |                               |      |
| 1            | 104203   | CLAMP, HOSE M52 GEAR-TYPE SST | 2    |
| 2            | 110372   | HOSE, PUMP SUCTION            | 1    |
| 3            | 110858   | HOSE CLAMP, HIGH PRESSURE     | 1    |
| 4            | 111964   | HOSE CLAMP, HIGH PRESSURE     | 1    |
| 5            | 113731   | HOSE, PUMP DISCHARGE          | 1    |
| 6            | 319742   | HOOD, PUMP SUCTION            | 1    |
| 7            | 337068   | PLATE, PUMP MOTOR SUPPORT     | 1    |

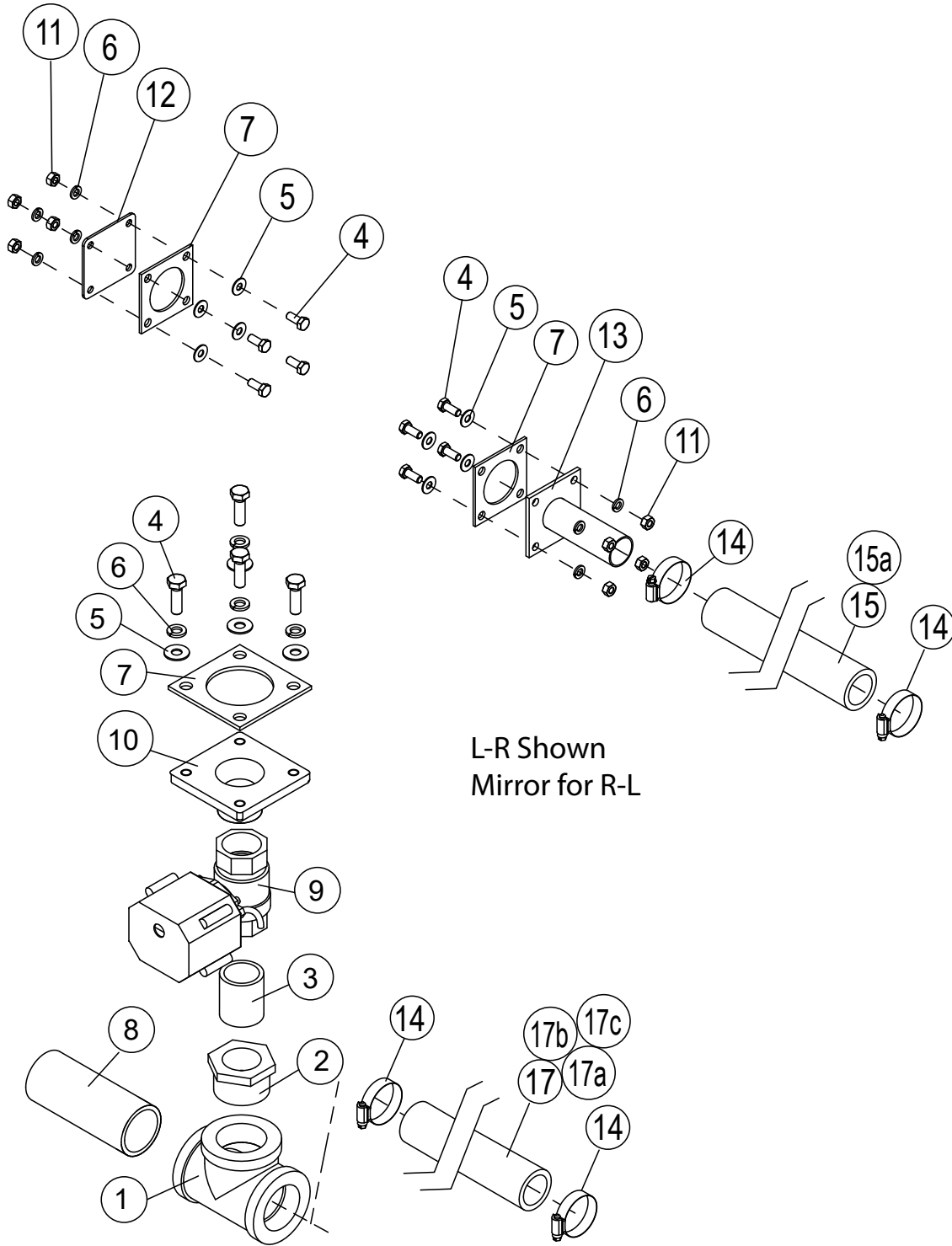
VHR - Recirculation Pump Install



| Item No.               | Part No. | Description                                   | Qty. |
|------------------------|----------|---|------|
| VHR RECIRCULATION PUMP |          |   |      |
| 1                      | 117253   | VHR RECIRC PUMP/MOTOR, 1/6 HP, 115V/60/1      | 1    |
| 2                      | 337332   | PANEL RECIRC, PUMP (L-R)                      | 1    |
| 2a                     | 337332-2 | PANEL RECIRC, PUMP (R-L)                      |      |
| 3                      | 337331   | BASE RECIRC. PUMP                             | 1    |
| 4                      | 337060   | BRACKET, PUMP SUPPORT                         | 1    |
| 5                      | 207560   | HOSE, SUCTION VHR, 1" ID X 21-1/4" LG.(L-R)   | 1    |
| 5a                     | 207831   | HOSE, SUCTION VHR, 1" ID X 11-1/4" LG.. (R-L) |      |
| 6                      | 337674   | STRAINER, PUMP SUCTION                        | 1    |

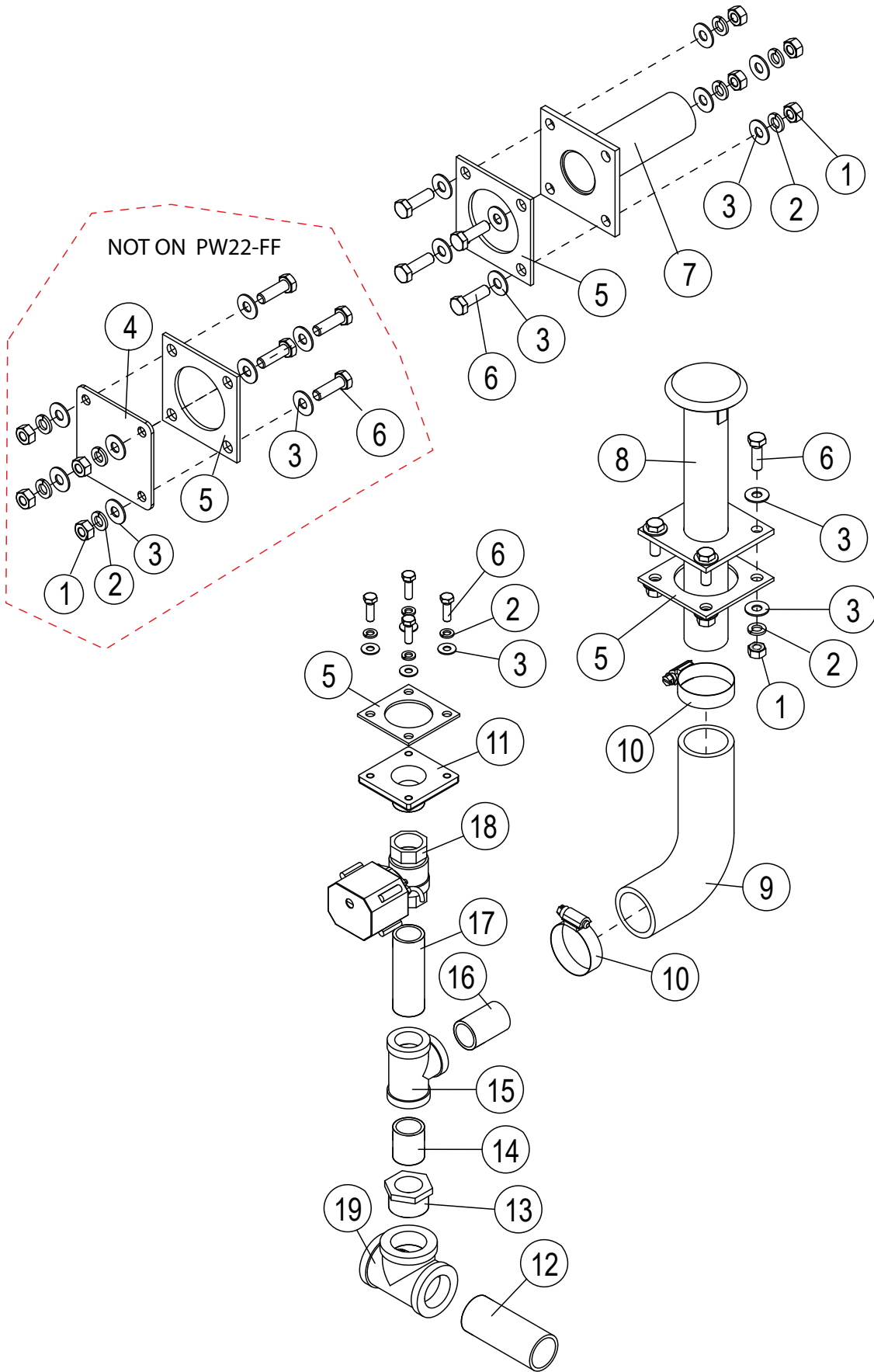


| Item No. | Part No.                 | Description                                      | Qty. |
|----------|--------------------------|--|------|
| 1        | 100510                   | TEE, 1-1/4" NPT, SST                             | 1    |
| 2        | <a href="#">100535</a>   | BUSHING, REDUCING 1-1/4" NPT SST                 | 2    |
| 3        | <a href="#">100694</a>   | NIPPLE, 1" NPT X CLOSE SST                       | 1    |
| 4        | <a href="#">100740</a>   | BOLT, HEX HEAD 5/16-18 X 1" SST                  | 12   |
| 5        | <a href="#">102376</a>   | WASHER, FLAT 5/16"                               | 12   |
| 6        | <a href="#">106013</a>   | WASHER LOCK, 5/16, SPLIT SST                     | 12   |
| 7        | <a href="#">108345</a>   | GASKET   | 3    |
| 8        | 111971                   | NIPPLE, 1-1/4" NPT X CLOSE, SST                  | 1    |
| 9        | 116431                   | NIPPLE, TOE 1" NPT X 2" LG. SST                  | 1    |
| 10       | <a href="#">117659</a>   | VALVE, BALL 1" NPT , BRASS, 110-230V ELECTRIC NC | 1    |
| 11       | 207802                   | FLANGE, DRAIN, 1" MNPT SST                       | 1    |
| 12       | <a href="#">100154</a>   | HEX, PLAIN NUT, 5/16-18 SST                      | 8    |
| 13       | <a href="#">337954</a>   | OVERFLOW, WELDMENT                               | 1    |
| 14       | <a href="#">116859</a>   | HOSE, OVERFLOW                                   | 1    |
| 15       | <a href="#">105993</a>   | CLAMP, HOSE M20 GEAR-TYPE SST                    | 2    |
| 16       | <a href="#">314388-1</a> | FLANGE, BLOCK-OFF PLATE                          | 1    |



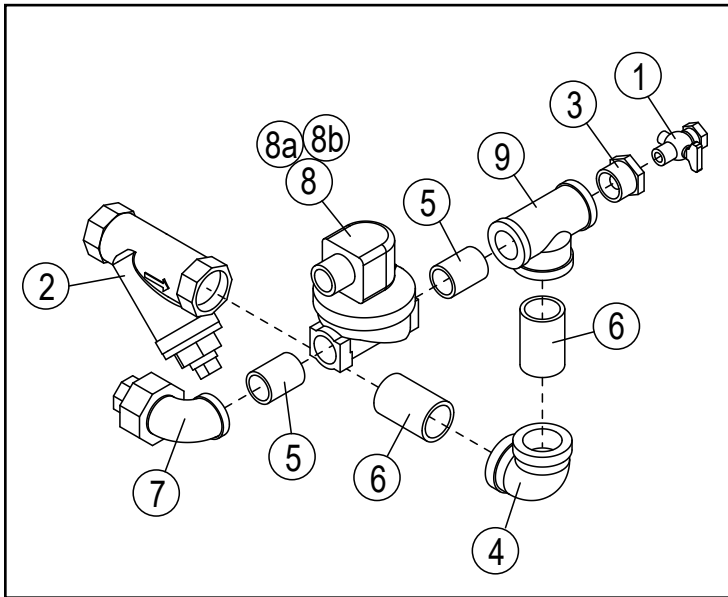
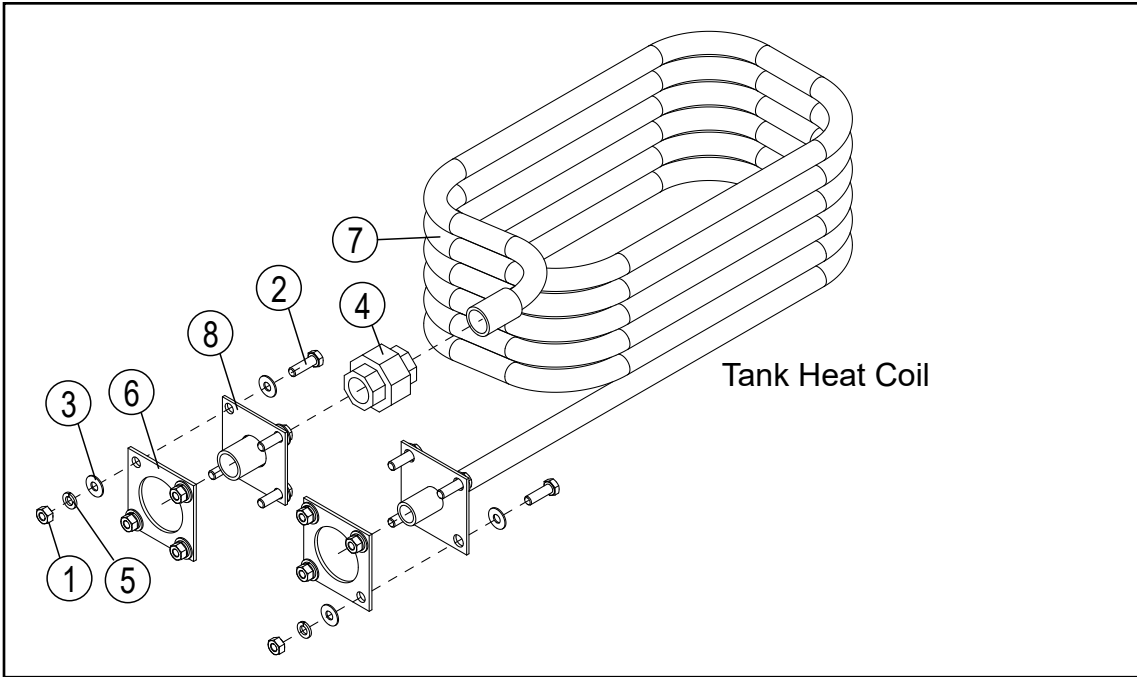
| Item No. | Part No. | Description  | Qty. |
|----------|----------|--|------|
| 1        | 100510   | TEE, 1-1/4" NPT SST  | 1    |
| 2        | 100535   | BUSHING, REDUCING, 1-1/4" NPT X 1" NPT, SST                                    | 1    |
| 3        | 100694   | NIPPLE, 1" NPT X CLOSE, SST  | 1    |
| 4        | 100740   | CAP SCREW, HEX HEAD, 5/16-18 X 1", SST   | 12   |
| 5        | 102376   | WASHER, FLAT 5/16", SST  | 12   |
| 6        | 106013   | WASHER, LOCK 5/16", SPLIT, SST   | 12   |
| 7        | 108345   | GASKET   | 3    |
| 8        | 115205   | NIPPLE, TOE, 1-1/4" NPT X 4" LG., SST  | 1    |
| 9        | 117659   | VALVE, BALL 1" NPT BRASS. 110-230V ELECTRIC                                    | 1    |
| 10       | 207802   | FLANGE, DRAIN 1"MNPT SST   | 1    |
| 11       | 100154   | HEX PLAIN NUT, 5/1618, SST   | 8    |
| 12       | 314388-1 | FLANGE, BLOCK-OFF  | 1    |
| 13       | 334719   | STUB, WELDMENT CROSSFLOW   | 1    |
| 14       | 105993   | CLAMP, HOSE, M28 GEAR-TYPE, SST  | 2    |
| 15       | 207216   | HOSE, CROSSFLOW, 1.38" ID X 17" LG. EPDM<br>22 R-L, 22 L-R, and 36 R-L, 36 L-R |      |
| 15a      | 205199   | HOSE, CROSSFLOW, 1-3/8" ID X 11-1/2" LG. EPDM,<br>22FF R-L, 22FF L-R           | 1    |
| 16       | 207937   | HOSE, 1-5/8" ID X 22" LG. EPDM, 22FF L-R                                       | 1    |
| 16a      | 207775   | HOSE, 1-5/8" ID X 43" LG. EPDM, 36 L-R   | 1    |
| 16b      | 117060   | HOSE, 1-5/8" ID X 30" LG. EPDM, 22 L-R   | 1    |
| 16c      | 117061   | HOSE, 1-5/8" ID X 25" LG. 22 R-L 36 R-L, 22FF R-L                              | 1    |

Prewash Drain Assembly (Any Size Prewash)

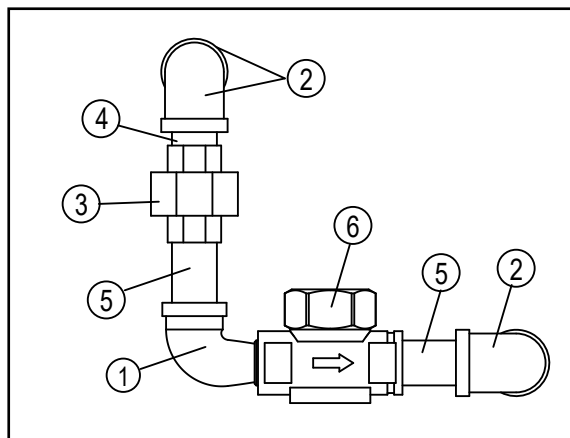


| Item No. | Part No. | Description                                   | Qty. |
|----------|----------|---|------|
| 1        | 100154   | HEX, PLAIN NUT, 5/16-18 SST                   | 12   |
| 2        | 106013   | WASHER, LOCK 5/16" SPLIT, SST                 | 16   |
| 3        | 102376   | WASHER, FLAT 5/16"                            | 28   |
| 4        | 314388-1 | FLANGE, BLOCK-OFF 12 GALV.                    | 1    |
| 5        | 108345   | GASKET  | 4    |
| 6        | 100740   | BOLT, HEX HEAD 5/16-18 X 1" SST               | 16   |
| 7        | 334719   | STUB, WELDMENT, CROSSFLOW                     | 1    |
| 8        | 339425   | OVERFLOW, WELDMENT                            | 1    |
| 9        | 117018   | HOSE, OVERFLOW                                | 1    |
| 10       | 105993   | CLAMP, HOSE, M20, SST, W/CS SCREW, SST        | 2    |
| 11       | 207802   | DRAIN FLANGE, 1" MNPT, CAST, SST              | 1    |
| 12       | 115205   | NIPPLE, TOE 1-1/4" X 4" SST                   | 1    |
| 13       | 100535   | BUSHING, REDUCING, 1-1/4" X 1" SST            | 1    |
| 14       | 100694   | NIPPLE, CLOSE 1" NPT, SST                     | 1    |
| 15       | 102530   | TEE, 1" NPT, SST                              | 1    |
| 16       | 116431   | NIPPLE TOE, 1" X 2" SST                       | 1    |
| 17       | 117019   | NIPPLE, 1" X 3-3/4" SST                       | 1    |
| 18       | 117659   | VALVE, BALL, 1" BRASS, 110-230V, ELECTRIC, NC | 1    |
| 19       | 100510   | TEE, 1-1/4" NPT SST                           | 1    |

Wash Steam Coil - (no booster piping)



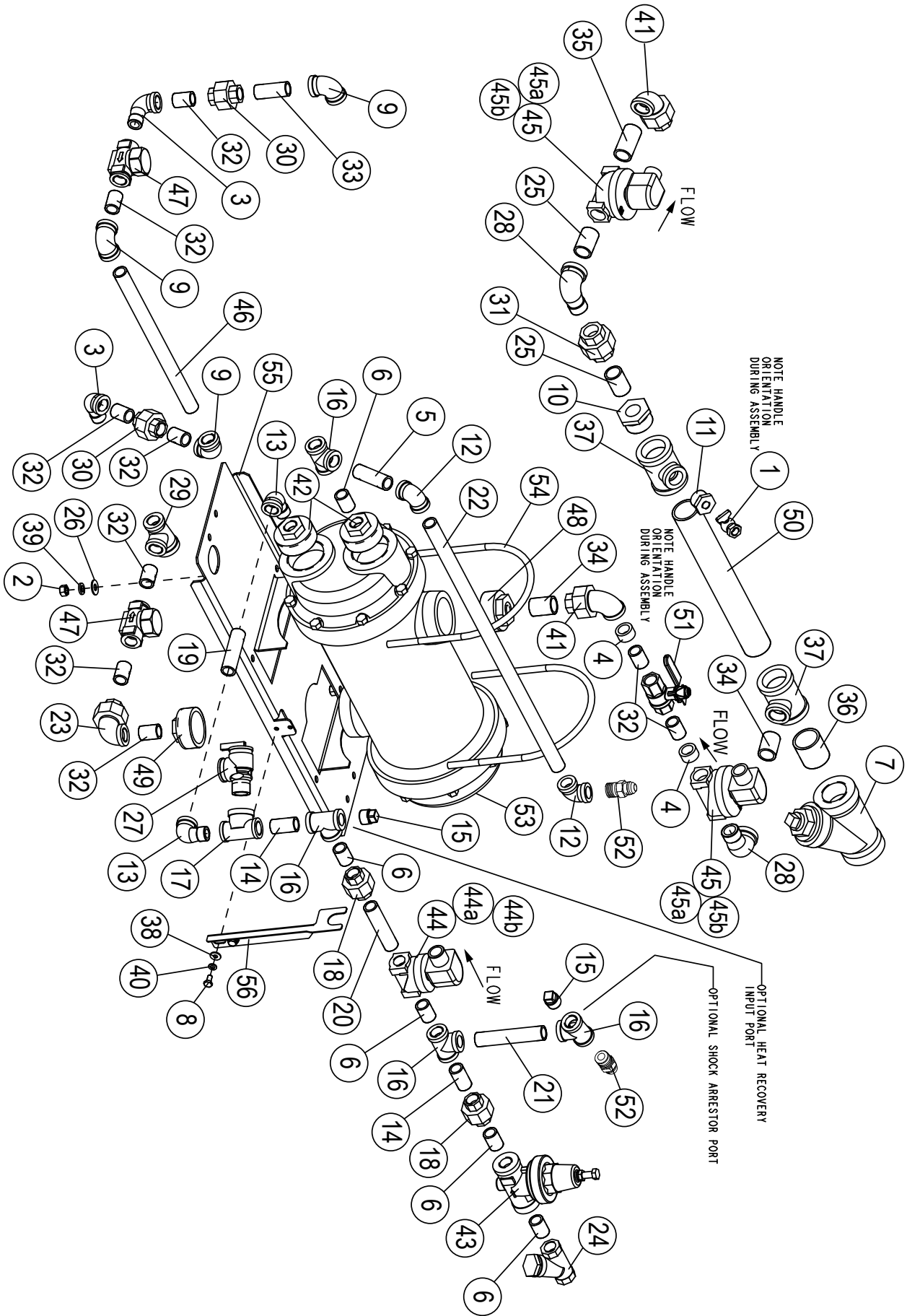
NO BOOSTER  
CONDENSATE PIPING



| Item No. | Part No. | Description                      | Qty. |
|----------|----------|----------------------------------|------|
|          |          | TANK HEAT COIL                   |      |
| 1        | 100154   | HEX PLAIN, NUT 5/16-18, SST      | 8    |
| 2        | 100740   | BOLT, HEX HEAD, 5/16-18 X 1" SST | 8    |
| 3        | 102376   | WASHER, FLAT 5/16"               | 16   |
| 4        | 102554   | UNION, 3/4" NPT SST              | 1    |
| 5        | 106013   | WASHER, LOCK 5/16" SPLIT         | 8    |
| 6        | 108345   | GASKET                           | 2    |
| 7        | 327908   | COIL, STEAM                      | 1    |
| 8        | 335644   | FLANGE, WELDMENT STEAM COIL      | 1    |

| Item No. | Part No. | Description                                  | Qty. |
|----------|----------|--|------|
|          |          | STEAM PIPING IN - NO BOOSTER                 |      |
| 1        | 100123   | PETCOCK, 1/4"NPT, FEMALE, BRASS              | 1    |
| 2        | 101248   | LINE, STRAINER, 1" NPT BRASS                 | 1    |
| 3        | 102403   | BUSHING, REDUCING, 3/4" NPT X 1/4" NPT BRASS | 1    |
| 4        | 105733   | ELBOW, 1" NPT, X 2" LG., 90°, MI             | 1    |
| 5        | 105803   | NIPPLE, 3/4" NPT, X CLOSE BI                 | 2    |
| 6        | 105850   | NIPPLE, 1" NPT X 2" LG., BI                  | 2    |
| 7        | 106485   | UNION, ELBOW, 3/4" NPT, STEAM                | 1    |
| 8        | 109887   | VALVE, SOLENOID, 3/4" NPT, STEAM, 120VAC     | 2    |
| 8a       | 109093   | KIT, REPAIR VALVE, 3/4"                      | A/R  |
| 8b       | 108516   | COIL, SOLENOID VALVE 120VAC                  | A/R  |
| 9        | 112539   | TEE, RED., 3/4" X 3/4" X 1" NPT, BI          | 1    |

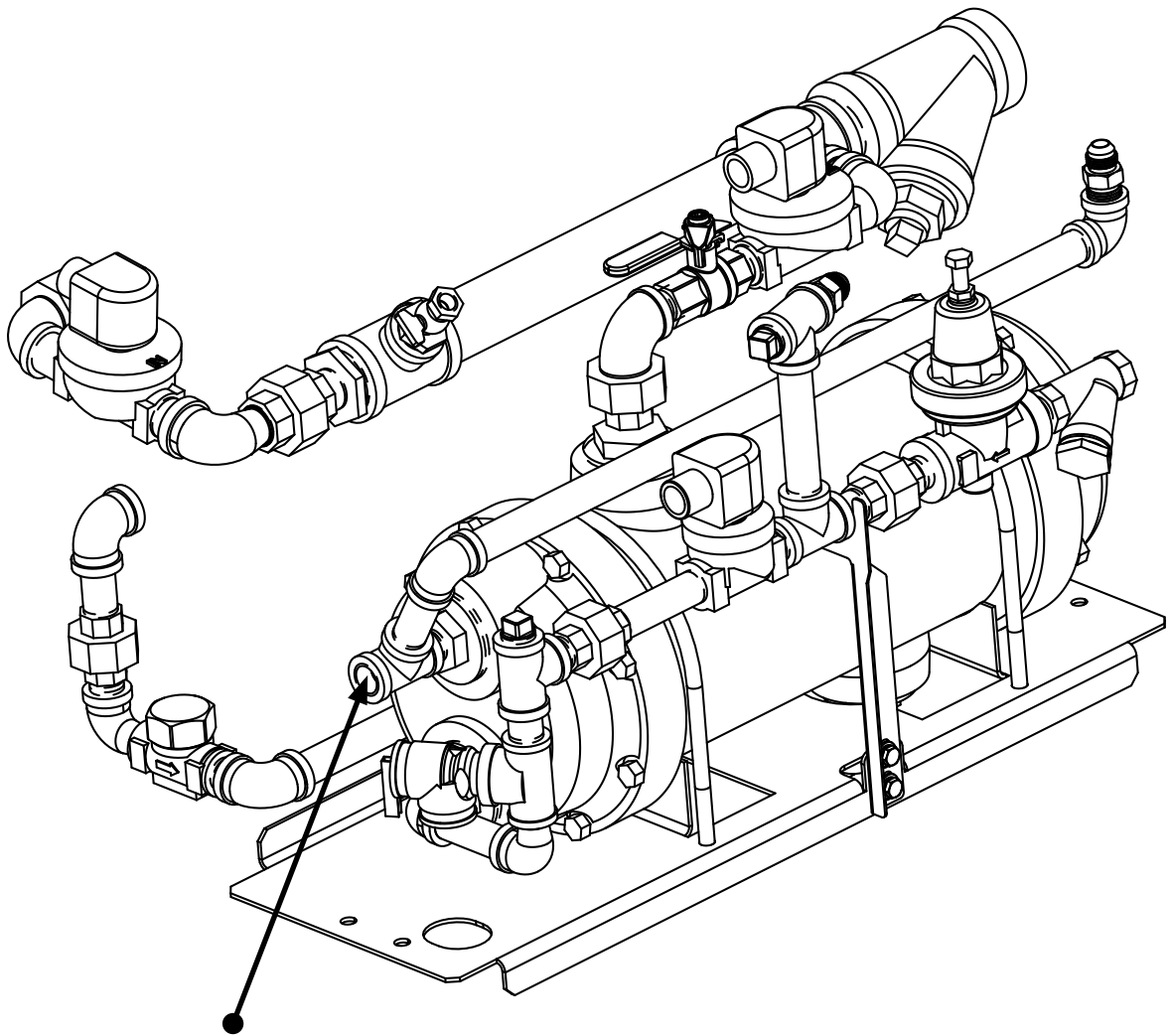
| Item No. | Part No. | Description                      | Qty. |
|----------|----------|----------------------------------|------|
|          |          | STEAM PIPING IN - NO BOOSTER     |      |
| 1        | 100147   | ELBOW, STREET, 1/2" NPT X 90° MI | 1    |
| 2        | 102288   | ELBOW , 1/2"NPT X 90° MI         | 2    |
| 3        | 105778   | UNION, 1/2" NPT MI               | 1    |
| 4        | 105782   | NIPPLE, 1/2" NPT X CLOSE, BI     | 1    |
| 5        | 105783   | NIPPLE, 1/2" NPT, 2" LG., BI     | 2    |
| 6        | 111380   | STEAM TRAP, 1/2" X TDC           | 1    |



| Item No. | Part No. | Description                                     | Qty. |
|----------|----------|---|------|
| 1        | 100123   | PETCOCK, 1/4" NPT, FEMALE, BRASS                | 1    |
| 2        | 100140   | HEX PLAIN NUT, 3/8-16, SST                      | 4    |
| 3        | 100147   | ELBOW, STREET 1/2" NPT X 90°, MI                | 2    |
| 4        | 100171   | BUSHING, REDUCER FACE, 3/4" X 1/2", BRASS       | 2    |
| 5        | 100206   | NIPPLE, 1/2" NPT X 2-1/2" LG., BRASS            | 1    |
| 6        | 100209   | NIPPLE, 1/2" NPT X CLOSE, BRASS                 | 5    |
| 7        | 100263   | LINE STRAINER, 1-1/4"                           | 1    |
| 8        | 100734   | CAP SCREW, HEX HEAD, 1/4-20 X 1/2" SST          | 2    |
| 9        | 102288   | ELBOW, 1/2" NPT X 90°, MI                       | 3    |
| 10       | 102399   | BUSHING, REDUCING, 1-1/4" NPT X 3/4" NPT, BRASS | 1    |
| 11       | 102403   | BUSHING, REDUCING, 3/4" NPT X 1/4" NPT, BRASS   | 1    |
| 12       | 102435   | ELBOW, 1/2" NPT X 90°, BRASS                    | 2    |
| 13       | 102438   | ELBOW, STREET, 1/2" NPT X 90°, BRASS            | 2    |
| 14       | 102485   | NIPPLE, 1/2" NPT X 1-1/2" LG., BRASS            | 2    |
| 15       | 102504   | PIPE PLUG, SQUARE HEAD, BRASS                   | 2    |
| 16       | 102514   | TEE, 1/2" NPT, BRASS                            | 4    |
| 17       | 102519   | TEE, REDUCING, 1/2" X 1/2" X 3/4", BRASS        | 1    |
| 18       | 102549   | UNION, 1/2" NPT, BRASS                          | 2    |
| 19       | 102567   | NIPPLE, 1/2" NPT X 3" LG., BRASS                | 1    |
| 20       | 102569   | NIPPLE, 1/2" NPT X 3-1/2" LG., BRASS            | 1    |
| 21       | 102571   | NIPPLE, 1/2" NPT X 4-1/4" LG., BRASS            | 1    |
| 22       | 102620   | NIPPLE, 1/2" NPT X 21-1/2" LG., BRASS           | 1    |
| 23       | 103433   | UNION, ELBOW, 1/2" NPT, FEMALE                  | 1    |
| 24       | 104421   | STRAINER, LINE 1/2" NPT, BRONZE                 | 1    |
| 25       | 104551   | NIPPLE, 3/4" NPT X 1-1/2", BRASS                | 2    |
| 26       | 104618   | WASHER, FLAT, 3/8" X 7/8" X .06, SST            | 4    |
| 27       | 104649   | VALVE, PRESSURE RELIEF, 3/4" NPT, BRONZE        | 1    |
| 28       | 105731   | ELBOW, STREET, 3/4" NPT X 90°, MI               | 2    |
| 29       | 105757   | TEE, REDUCING, 3/4" X 1/2" X 1/2" NPT, MI       | 1    |
| 30       | 105778   | UNION, 1/2" NPT X MI                            | 2    |
| 31       | 105779   | UNION, 3/4" NPT X MI                            | 1    |
| 32       | 105782   | NIPPLE, 1/2" NPT X CLOSE, BI                    | 9    |
| 33       | 105783   | NIPPLE, 1/2" NPT X 2" LG., BI                   | 1    |
| 34       | 105803   | NIPPLE, 3/4" NPT X CLOSE, BI                    | 2    |
| 35       | 105806   | NIPPLE, 3/4" NPT X 2" LG., BI                   | 1    |
| 36       | 105872   | NIPPLE, 1-1/4" NPT X CLOSE BI                   | 1    |

Steam Booster - Thrush Model 1200 (continued)

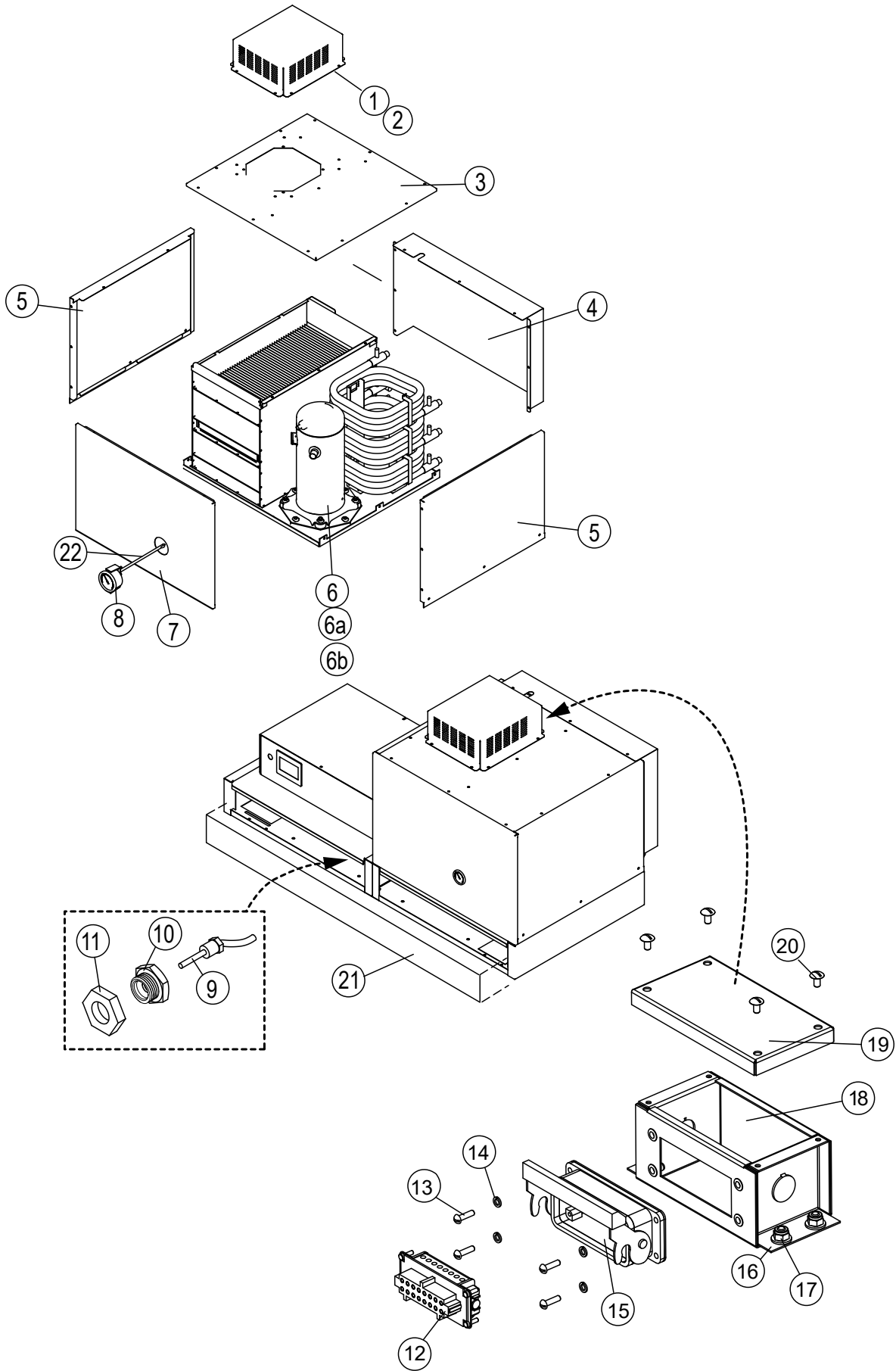
| Item No. | Part No. | Description   | Qty.. |
|----------|----------|---|-------|
| 37       | 105897   | TEE REDUCING, 1-1/4" X 1-1/4" X 3/4" NPT, MI          | 2     |
| 38       | 106026   | WASHER, FLAT, SST                                     | 2     |
| 39       | 106407   | WASHER, LOCK, 3/8" SPLIT SST                          | 4     |
| 40       | 106482   | WASHER, LOCK, 1/4" SPLIT SST                          | 2     |
| 41       | 106485   | UNION, ELBOW, 3/4" NPT X FEMALE                       | 2     |
| 42       | 106582   | BUSHING, REDUCING, 2" NPT X 1/2" NPT BRASS,           | 2     |
| 43       | 108265   | VALVE PRESSURE 1/2" NPT BRONZE                        | 1     |
| 44       | 109886   | VALVE SOLENOID, 1/2" NPT, HW PARKER, 120VAC           | 1     |
| 44a      | 109902   | KIT, REPAIR VALVE 1/2"                                | A/R   |
| 44b      | 108516   | COIL, SOLENOID VALVE 120VAC                           | A/R   |
| 45       | 109887   | VALVE, SOLENOID, 3/4" NPT, STEAM, 120VAC              | 2     |
| 45a      | 109093   | KIT, REPAIR VALVE, 3/4"                               | A/R   |
| 45b      | 108516   | COIL, SOLENOID VALVE 120VAC                           | A/R   |
| 46       | 109912   | NIPPLE, 1/2" NPT X 12" LG., BI                        | 1     |
| 47       | 111380   | STEAM TRAP, 1/2" NPT, TDC                             | 2     |
| 48       | 112341   | BUSHING, REDUCING, 2" NPT X 3/4" NPT, BI              | 1     |
| 49       | 112365   | BUSHING, REDUCING, 2" NPT X 1/2" NPT, BI              | 1     |
| 50       | 113920   | NIPPLE, 1-1/4" NPT X 12" LG., BI                      | 1     |
| 51       | 114460   | VALVE, BALL, 1/2" FNPT, BRASS W/ SETTING INDICATOR    | 1     |
| 52       | 115101   | COUPLING, MALE, 1/2" NPT S 1/2" 37D FLARE, JIC, BRASS | 2     |
| 53       | 115640   | BOOSTER, THRUSH #1200                                 | 1     |
| 54       | 116676   | U-BOLT, #1200 BOOSTER                                 | 2     |
| 55       | 339902   | THRUSH #1200, BOOSTER MOUNTING PLATE                  | 1     |
| 56       | 339905   | PIPING SUPPORT, THRUSH #1200 WATER FEED, PRO          | 1     |



THERMISTOR CAPILLARY INSTALLATION:

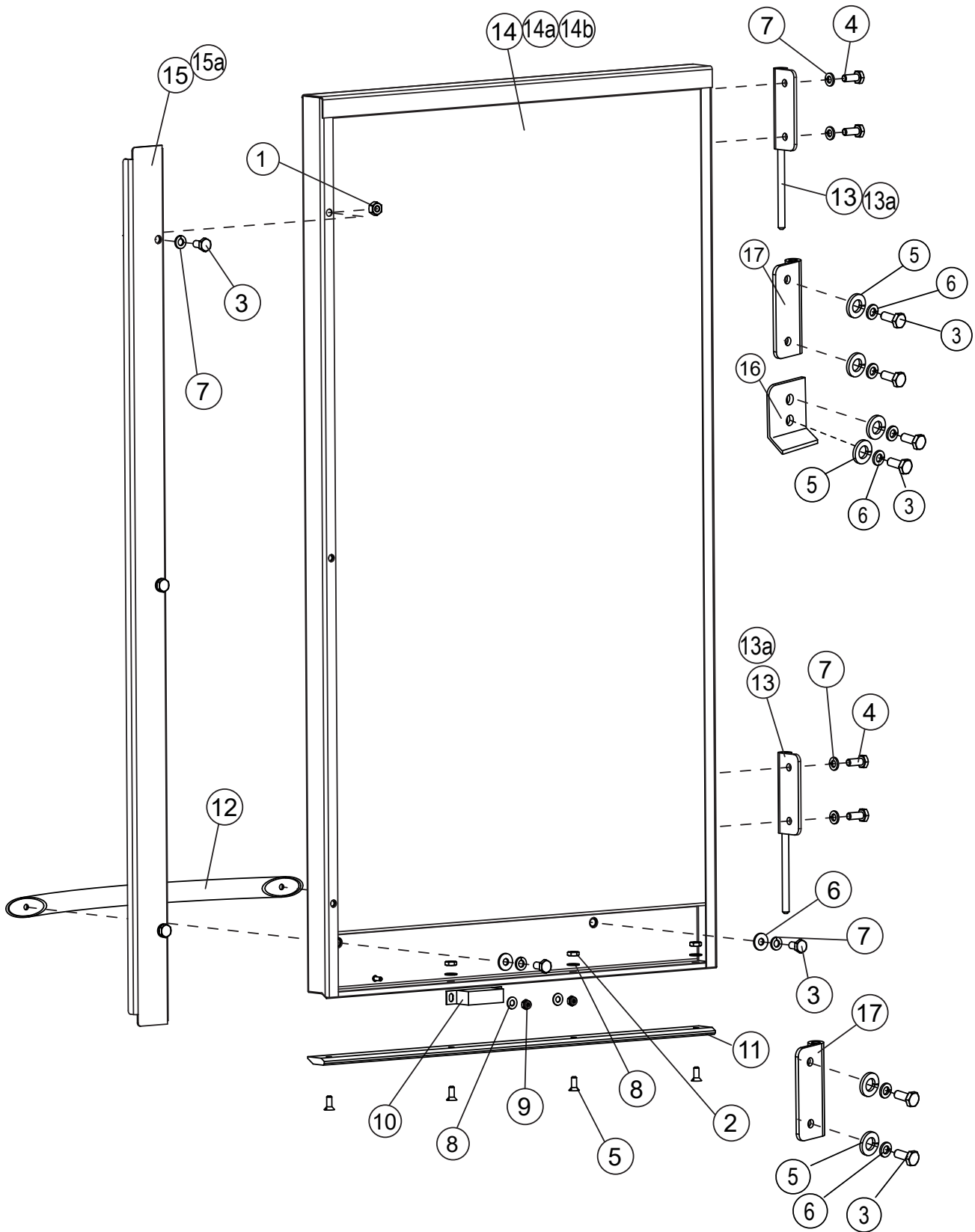
1. Install thermistor onto 1/2" x 1/8" reducing bushing (bushing shown removed from booster).
2. Adjust probe end depth to 16" past the face of the theristor ferrule fitting. Tighten ferrule.
3. Use flashlight to view into booster through the Tee fitting.
4. Slide thermistor lead into the center tube inside the booster  
 - (the tube is a small amount above the entry piping centerline).
5. Install thermistor/reducing bushing onto the booster.
6. Run machine to verify there are no unacceptably large temperature swings.  
 - If large swings are occurring, decrease ball valve opening to reduce steam input until swings are satisfactory.

VHR - Heat Pump Assembly



| Item No. | Part No. | Description                         | Qty. |
|----------|----------|-------------------------------------|------|
| 1        | 337395   | COVER, FAN                          | 1    |
| 2        | 116547   | FAN, CENTRIFUGAL                    | 1    |
| 3        | 337965   | PANEL, TOP                          | 1    |
| 4        | 337966   | PANEL, REAR                         | 1    |
| 5        | 337964   | PANEL, SIDE                         | 2    |
| 6        | 116569   | PUMP, HEAT 208/60/3                 | 1    |
| 6a       | 116570   | PUMP, HEAT 480/60/3                 | 1    |
| 6b       | 116907   | PUMP HEAT, 575/60/3                 |      |
| 7        | 337963   | PANEL, FRONT                        | 1    |
| 8        | 109812   | 0-60 PSI GAUGE, PRESSURE, 0-60 PSI  | 1    |
| 9        | 114435   | THERMISTOR, 10kΩ, 36" LEAD          | 1    |
| 10       | 115530   | ADAPTER                             | 1    |
| 11       | 100547   | LOCKNUT, 1/2" NPT, SST              | 1    |
| 12       | 116920   | 16 PIN FEMALE SCREW CLAMP           | 1    |
| 13       | 110159   | SCREW, ROUND HEAD, 8-32 X 5/8" SST  | 4    |
| 14       | 106486   | WASHER, LOCK #10 SPLIT, SST         | 4    |
| 15       | 116922   | BULKHEAD BASE W/END ENTRY           | 1    |
| 16       | 106026   | WASHER, FLAT 1/4" SST               | 4    |
| 17       | 107967   | HEX GRIP NUT, 1/4-20 SST W/NYLON    | 4    |
| 18       | 339167   | VHR WIRING RECEPTACLE BOX           | 1    |
| 19       | 339032   | COVER, SST STATION, BLANK           | 1    |
| 20       | 100007   | SCREW, TRUSS HEAD, 10-32 X 3/8" SST | 4    |
| 21       | 339980   | PANEL, ACCESS 44/66/80 PRO          | 1    |
| 22       | 107414   | TUBING, NATURAL, 1/4"               | A/R  |

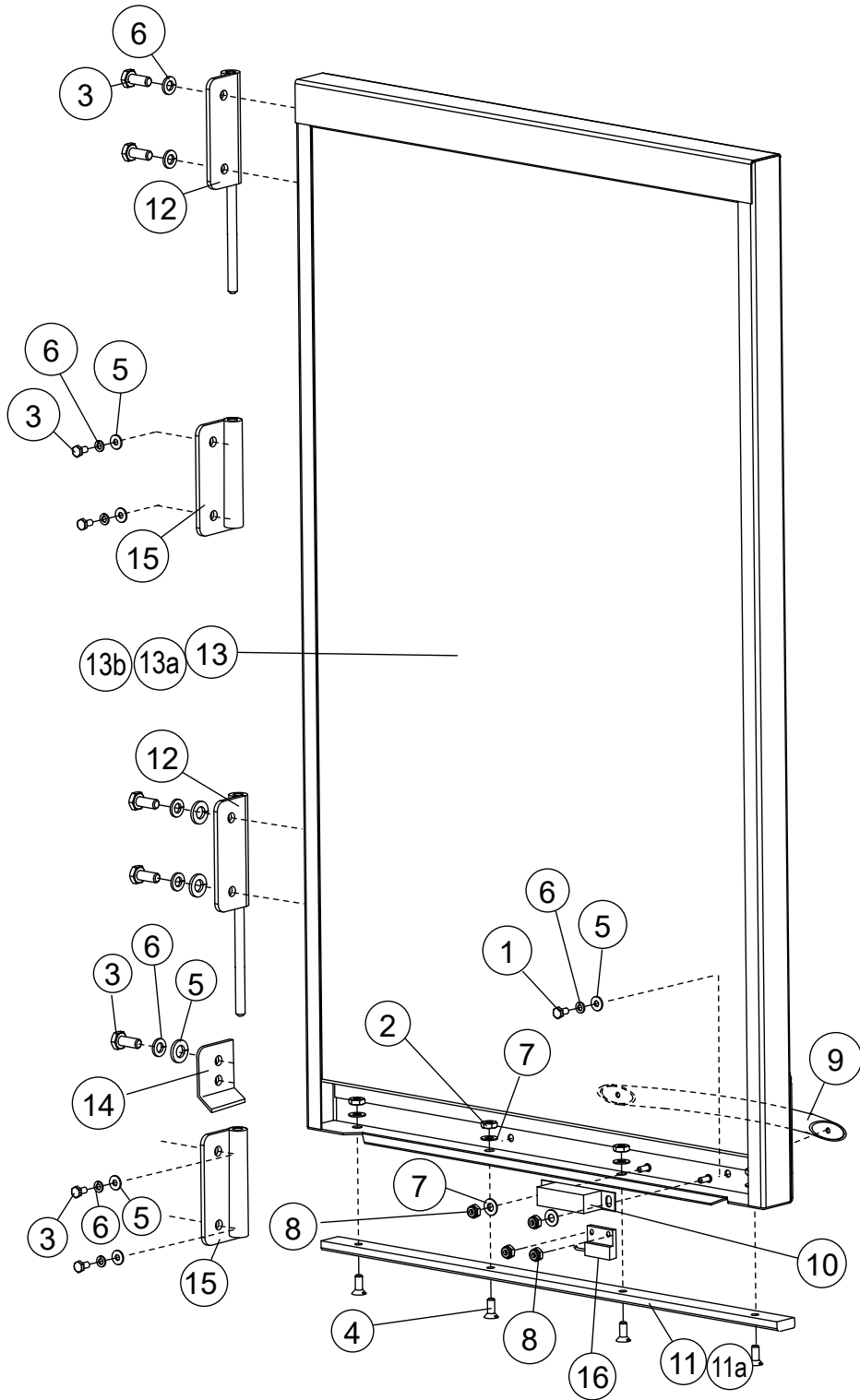
Wash Door with Bolt-on Center Strip



| Item No. | Part No. | Description                             | Qty. |
|----------|----------|---|------|
| 1        | 100003   | HEX PLAIN NUT, 1/4-20 SST               | 3    |
| 2        | 100194   | HEX GRIP NUT, 10-32 ST                  | 4    |
| 3        | 100734   | CAP SCREW, HEX HEAD, 1/4-20 X 1/2" SST  | 5    |
| 4        | 100735   | CAP SCREW, HEX HEAD, 1/4-20 X 5/8" SST  | 10   |
| 5        | 100754   | SCREW, FLAT HEAD, 10-32 X 1/2" SST      | 4    |
| 6        | 106026   | WASHER, FLAT, 1/4" SST                  | 8    |
| 7        | 106482   | WASHER, LOCK, 1/4" SPLIT, SST           | 15   |
| 8        | 107033   | WASHER, FLAT                            | 6    |
| 9        | 108954   | HEX GRIP NUT, 6-32 SST W/NYLON          | 2    |
| 10       | 113937   | MAGNET, REED SWITCH                     | 1    |
| 11       | 115612   | WEAR STRIP, DOOR BOTTOM,                | 1    |
| 12       | 115665   | HANDLE, DOOR                            | 1    |
| 13       | 335151   | DOOR HINGE, LH                          | 2    |
| 13a      | 335152   | DOOR HINGE, RH                          | 2    |
| 14       | 340774   | DOOR WELDMENT, LH, STANDARD             | 1    |
| 14a      | 340775   | DOOR WELDMENT, RH, STANDARD             | 1    |
| 14b      | 340776   | DOOR WELDMENT, LH, HIGH HOOD            | 1    |
| 14c      | 340777   | DOOR WELDMENT, RH, HIGH HOOD            | 1    |
| *15      | 340782   | CHANNEL, DOOR STRIP, BOLT-ON, STANDARD  | 1    |
| *15a     | 340783   | CHANNEL, DOOR STRIP, BOLT-ON, HIGH HOOD | 1    |
| 16       | 335977   | STOP, HINGE DOOR REMOVAL                | 1    |
| 17       | 336683   | HINGE, HOOD SIDE                        | 2    |

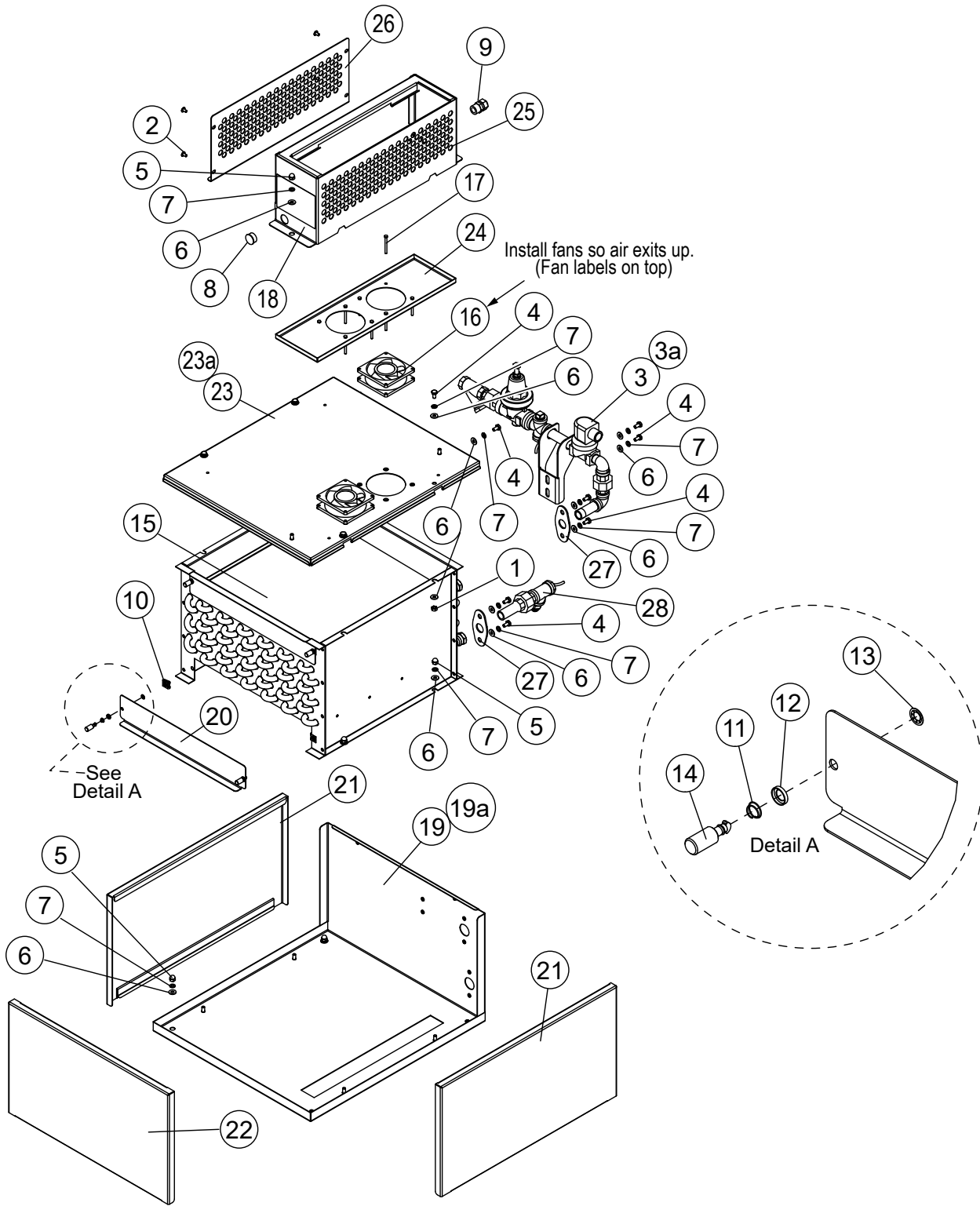
\* **NOTE:** Door strip mounts on L-H door on a LR machine.  
 Door strip mounts on RH door on a R-L machine.

22" and 36" Prewash Doors



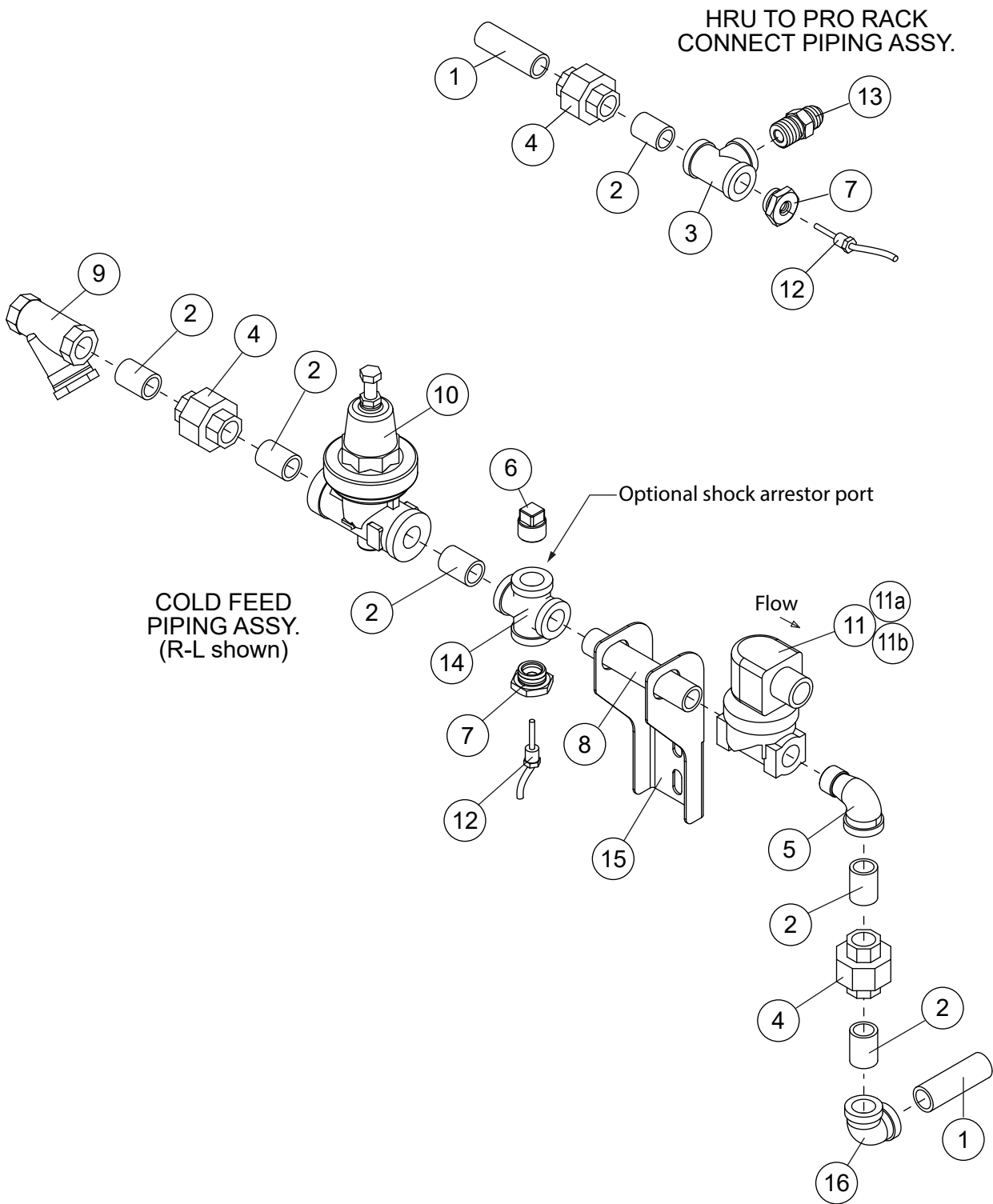
| Item No. | Part No. | Description  | Qty. |
|----------|----------|--|------|
| 1        | 100073   | BOLT, HEX HEAD, 1/4-20 X 1/2" SST                      | 2    |
| 2        | 100194   | NUT, HEX GRIP 10-32 SST (22PW Qty. 4)(36PW Qty.5) ←    |      |
| 3        | 100735   | BOLT, HEX HEAD 1/4-20 X 5/8" SST                       | 12   |
| 4        | 100754   | SCREW, FLAT HEAD 10-32 X 1/2" (22PW Qty.4)(36PW Qty.5) |      |
| 5        | 106026   | WASHER, FLAT 1/4" SST                                  | 8    |
| 6        | 106482   | WASHER, LOCK 1/4" SPLIT SST                            | 12   |
| 7        | 107033   | WASHER, FLAT SST, (22PW Qty.6)(36PW Qty.7) ←           |      |
| 8        | 108954   | NUT, HEX GRIP 6-32 SST W/NYLON INSERT                  | 2    |
| 9        | 115665   | HANDLE, DOOR   | 1    |
| 10       | 113937   | MAGNET, REED SWITCH                                    | 1    |
| 11       | 116175   | STRIP, WEAR BOTTOM DOOR 22" PW                         | 1    |
| 11a      | 116177   | STRIP, WEAR BOTTOM DOOR 36" PW                         | 1    |
| 12       | 335152   | HINGE, DOOR WELDMENT                                   | 2    |
| 13       | 337199   | DOOR, STANDARD HOOD, 22" PW                            | 1    |
| 13a      | 338042   | DOOR, HIGH HOOD, 22" PW                                | 1    |
| 13b      | 337865   | DOOR, STANDARD, 36" PW                                 | 1    |
| 13c      | 339642   | DOOR, HIGH HOOD 36" PW                                 | 1    |
| 14       | 335977   | STOP, HINGED DOOR REMOVAL                              | 1    |
| 15       | 336683   | HINGE, HOOD SIDE                                       | 2    |
| 16       | 113721   | SWITCH, DOOR SAFETY                                    | 1    |

# Heat Recovery Unit (HRU) Assembly



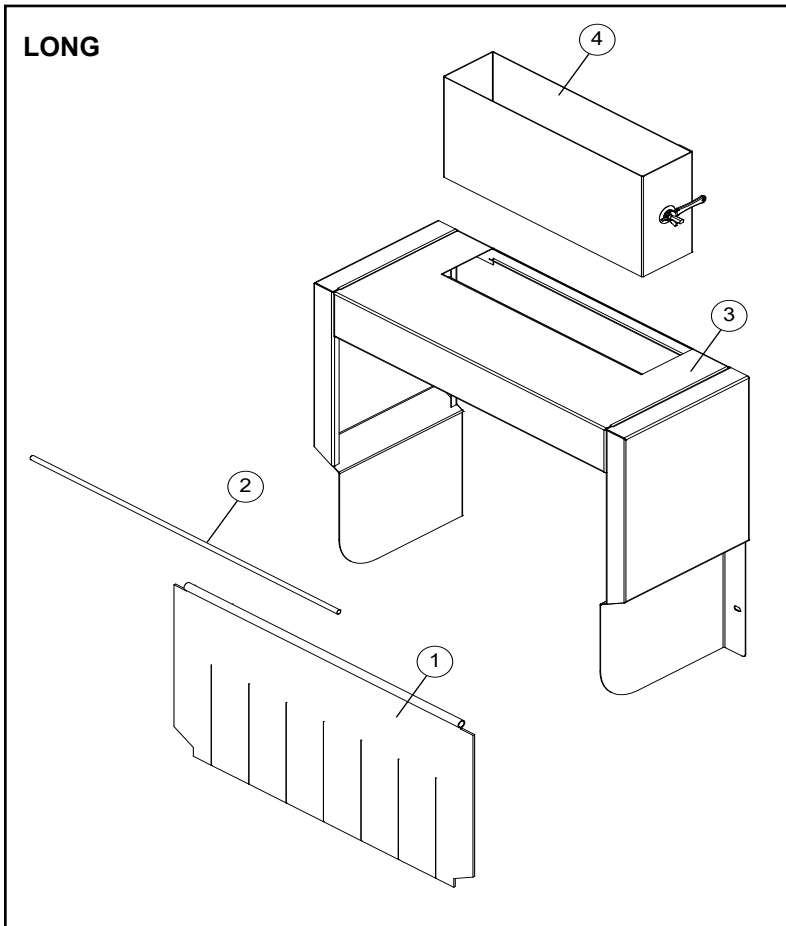
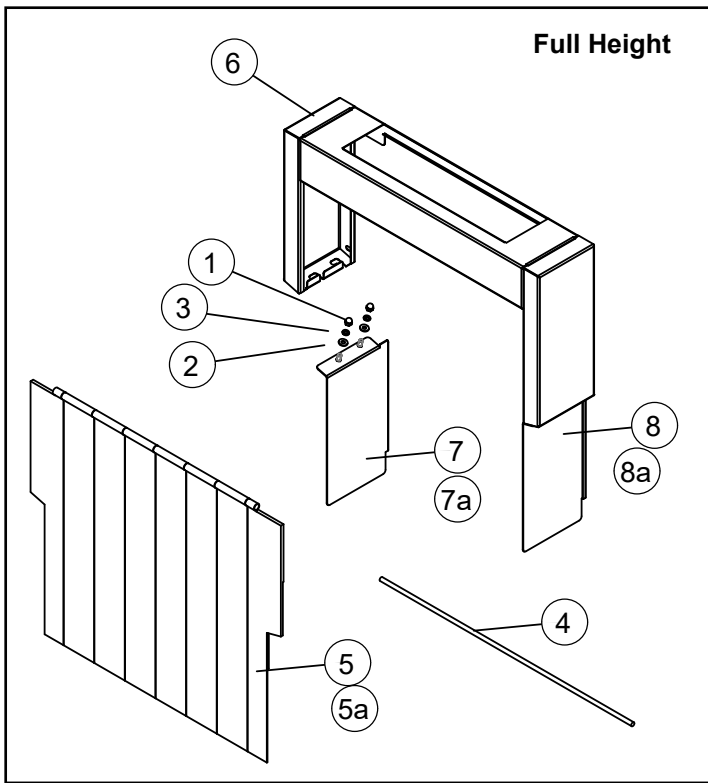
| Item No. | Part No.  | Description                                    | Qty. |
|----------|-----------|--|------|
| 1        | 100003    | HEX PLAIN NUT, 1/4-20 SST                      | 4    |
| 2        | 100007    | SCREW, TRUSS HEAD, 10-32 X 3/8" SST            | 4    |
| 3        | 602539-LR | PIPING ASSEMBLY, COLD FEED, LR (See next page) | 1    |
| 3a       | 602539-RL | PIPING ASSEMBLY, COLD FEED, RL (See next page) | 1    |
| 4        | 100734    | CAP SCREW, HEX HEAD, 1/4-20 X 1/2" SST         | 12   |
| 5        | 106014    | HEX ACORN PLAIN NUT, 1/4-20 SST                | 8    |
| 6        | 106026    | WASHER, FLAT, 1/4" SST                         | 24   |
| 7        | 106482    | WASHER, LOCK, 1/4" SPLIT SST                   | 20   |
| 8        | 112519    | PLUG, SNAP, D-FLAT                             | 1    |
| 9        | 114365    | CORD GRIP, LIQUID LIQITITE, W/LOCKNUT 1/2" NPT | 1    |
| 10       | 114646    | RECEPTACLE, 1/4 TURN, #82                      | 4    |
| 11       | 114647    | SPRING, 1/4 TURN, SST #82                      | 4    |
| 12       | 114648    | WASHER, WEAR, CUPPED, #82                      | 4    |
| 13       | 114649    | RING, RETAINER, SST, #82                       | 4    |
| 14       | 114650    | STUD, 1/4 TURN, KNURLED SST #82                | 4    |
| 15       | 116911    | COIL, ASSEMBLY, PRO RACK, HRU                  | 1    |
| 16       | 116953    | FAN. NMB. 24VDC, 105.9 CFM                     | 2    |
| 17       | 116954    | SCREW HEX HEAD, 8-32 X 1-3/4" SST              | 8    |
| 18       | 117622    | LABEL, PERMANENT FREEZE DAMAGE                 | 1    |
| 19       | 339109    | COIL, BASE WELD, PRO HRU, LR                   | 1    |
| 19a      | 339110    | COIL, BASE WELD, PRO HRU, RL                   |      |
| 20       | 339111    | CLEANING, ACCESS, COVER, DEVP., PRO HRU        | 2    |
| 21       | 339114    | SIDE COVER, WELD, PRO HRU                      | 2    |
| 22       | 339116    | FRONT COVER, WELD., PRO HRU                    | 1    |
| 23       | 339270    | TOP COVER, WELD., PRO HRU, LR                  | 1    |
| 23a      | 339271    | TOP COVER, WELD., PRO HRU, RL                  | 1    |
| 24       | 339282    | VENT STACK, DRAIN PAN DEVP., PRO HRU           | 1    |
| 25       | 339288    | VENT STACK, WELD., PRO HRU                     | 1    |
| 26       | 339291    | FAN, ACCESS PANEL, PRO HRU                     | 1    |
| 27       | 340376    | COIL, PIPE SUPPORT                             | 2    |
| 28       | 602436    | PIPING ASSEMBLY, HRU CONNECT (See next page)   | 1    |

Heat Recovery Unit (HRU) Fill Piping



| Item No. | Part No. | Description  | Qty. |
|----------|----------|--|------|
| 1        | 100206   | NIPPLE, 1/2" NPT X 1/2" NPT X 2-1/2" LG., BRASS      | 2    |
| 2        | 100209   | NIPPLE, 1/2" NPT X CLOSE, BRASS                      | 6    |
| 3        | 102514   | TEE, 1/2" NPT, BRASS                                 | 1    |
| 4        | 102549   | UNION, 1/2" NPT, BRASS                               | 3    |
| 5        | 102438   | ELBOW, STREET, 1/2" NPT X 90°, BRASS                 | 1    |
| 6        | 102504   | PLUG, 1/2" SQ. HEAD, BRASS                           | 1    |
| 7        | 115530   | ADAPTER, THERMOMETER, DIGITAL                        | 2    |
| 8        | 102571   | NIPPLE, 1/2" NPT X 4-1/4:" LG., BRASS                | 1    |
| 9        | 104421   | STRAINER, LINE, 1/2" NPT, BRASS                      | 1    |
| 10       | 108265   | VALVE, PRESSURE REGULATING, 1/2" NPT, BRASS          | 1    |
| 11       | 109886   | VALVE, SOLENOID, 1/2" NPT, HW PARKER, 120VAC         | 1    |
| 11a      | 109902   | KIT, REPAIR VALVE 1/2"                               | A/R  |
| 11b      | 108516   | COIL, SOLENOID VALVE 120VAC COIL                     | A/R  |
| 12       | 114435   | THERMISTOR, 10KΩ, 36" LEAD                           | 2    |
| 13       | 115501   | COUPLING, MALE, 1/2" NPT X 1/2" 37D FLARE, JIC BRASS | 1    |
| 14       | 100598   | CROSS, 1/2" NPT, BRASS                               | 1    |
| 15       | 339995   | PRO HRU, FEED PIPING SUPPORT                         | 1    |
| 16       | 102435   | ELBOW, 1/2" NPT X 90°, BRASS                         | 1    |

Full Height and Long Vent Cows (EXCEPT FOR VHR)

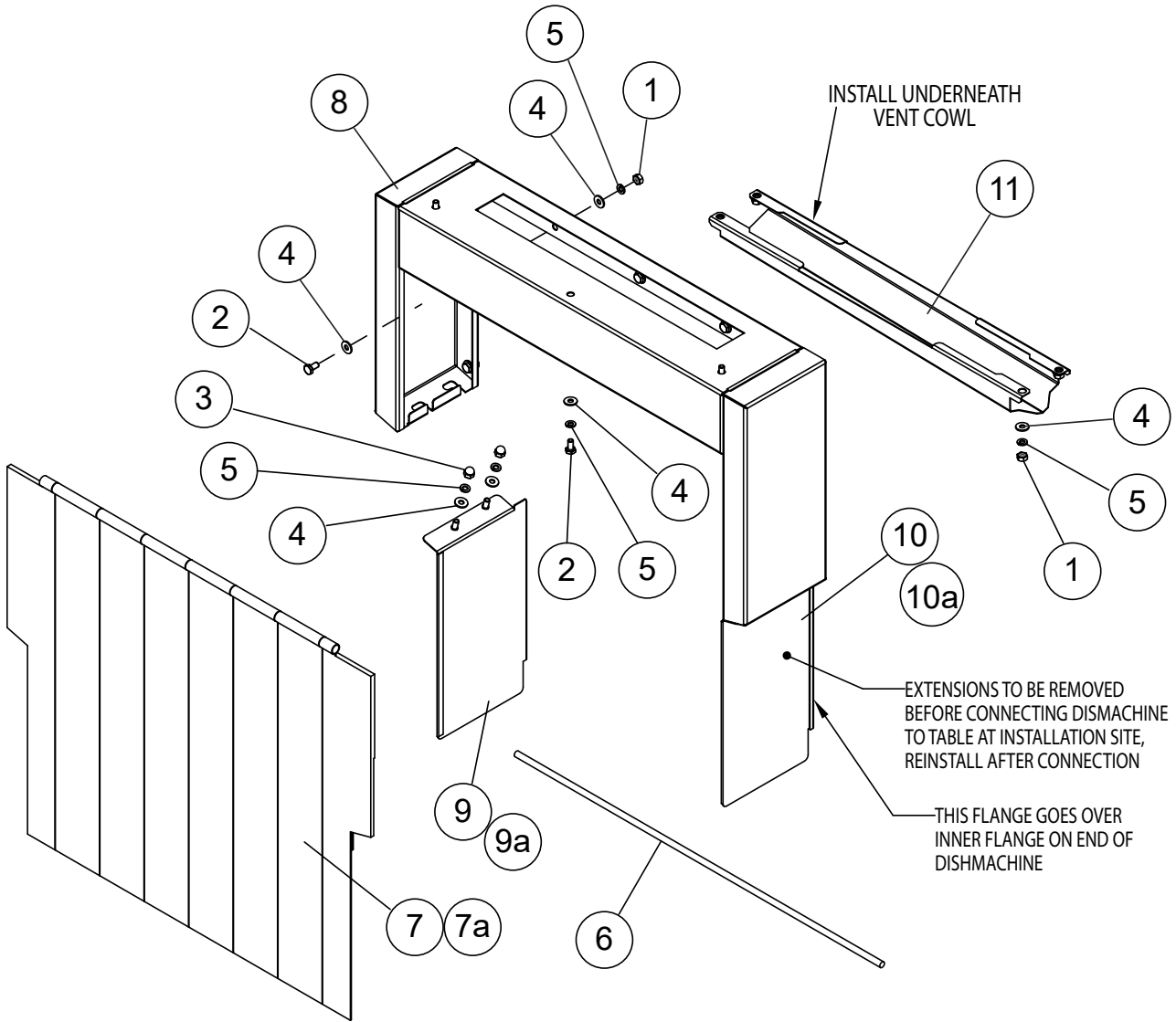


Full Height and Long Vent Cows (EXCEPT FOR VHR)

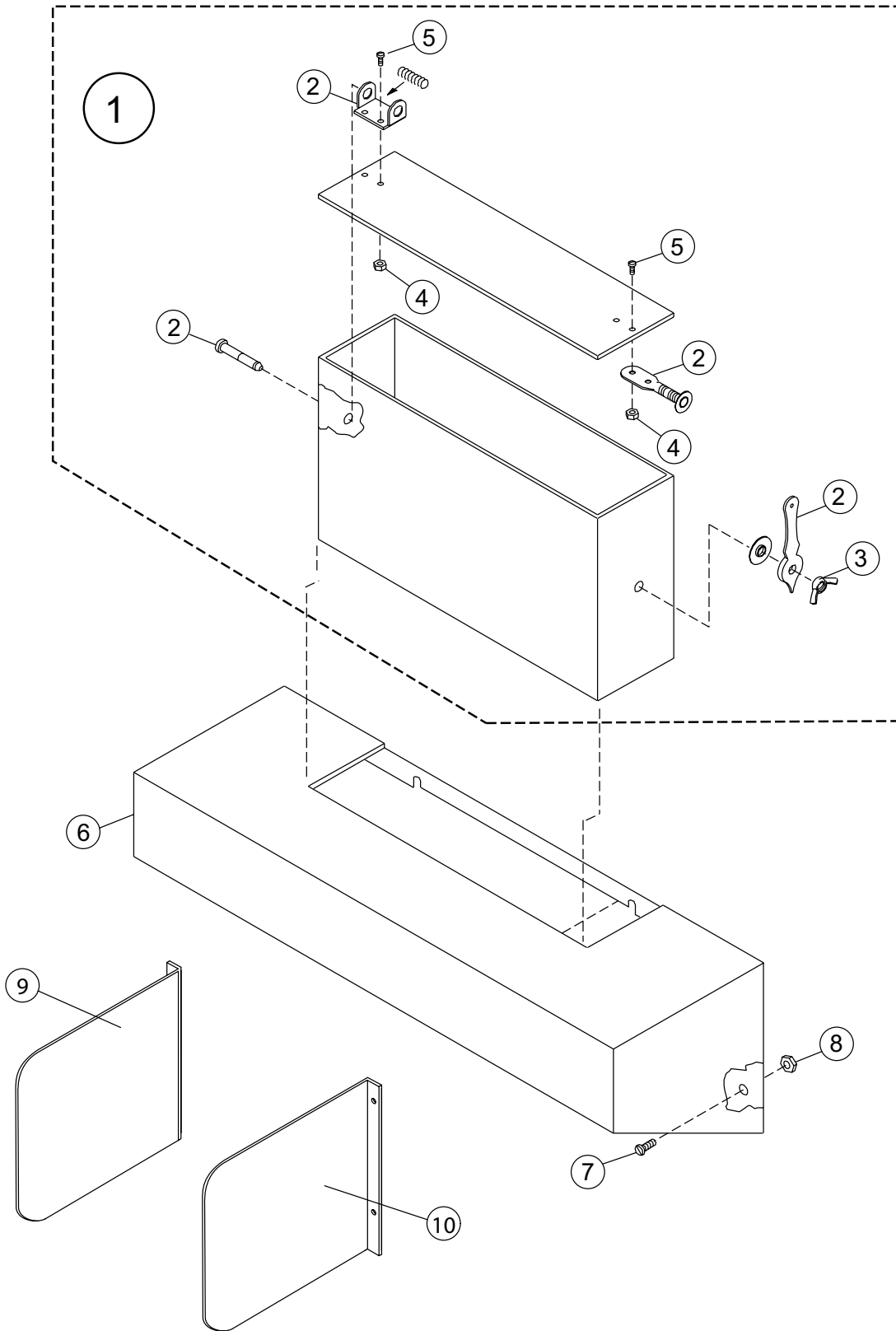
| Item No.                               | Part No. | Description                                 | Qty. |
|--|----------|---|------|
| Full Height Vent Cowl (EXCEPT FOR VHR) |          |   |      |
| 1                                      | 106014   | HEX ACORN PLAIN NUT, 1/4-20 SST             | 4    |
| 2                                      | 106026   | WASHER, FLAT                                | 4    |
| 3                                      | 106482   | WASHER, LOCK, 1/4 SPLIT SST                 | 4    |
| 4                                      | 108250   | ROD, CURTAIN, 5/16" X 24-5/8" 304SS         | 1    |
| 5                                      | 116964   | CURTAIN, ROD, HRU VENT COWL, FULL, HEIGHT   | 1    |
| 5a                                     | 117004   | CURTAIN, PRO HRU VENT COWL, HIGH HOOD       | 1    |
| 6                                      | 339435   | VENT COWL, HOOD, FULL OPEN HEIGHT           | 1    |
| 7                                      | 340720-1 | RACK, VENT COWL, SIDE EXT., FULL HEIGHT-FAS | 1    |
| 7a                                     | 340721-1 | RACK, VENT COWL , SIDE EXT., HIGH HOOD-FAS  | 1    |
| 8                                      | 340720-2 | RACK, VENT COWL, SIDE EXT., STANDARD-FOP    | 1    |
| 8a                                     | 340721-2 | RACK, VENT COWL, SIDE EXT., HIGH HOOD-FOP   | 1    |

| Item No.                        | Part No. | Description                    | Qty. |
|---------------------------------|----------|--------------------------------|------|
| Long Vent Cowl (EXCEPT FOR VHR) |          |                                |      |
| 1                               | 108043   | CURTAIN, 24" X 13-1/4" TRIMMED | 1    |
| 2                               | 108250   | ROD, CURTAIN                   | 1    |
| 3                               | 328344   | VENT COWL, LONG                | 1    |
| 4                               | 401487   | VENT STACK, 4" X 16"           | 1    |

Heat Recovery Unit (HRU) Vent Cows

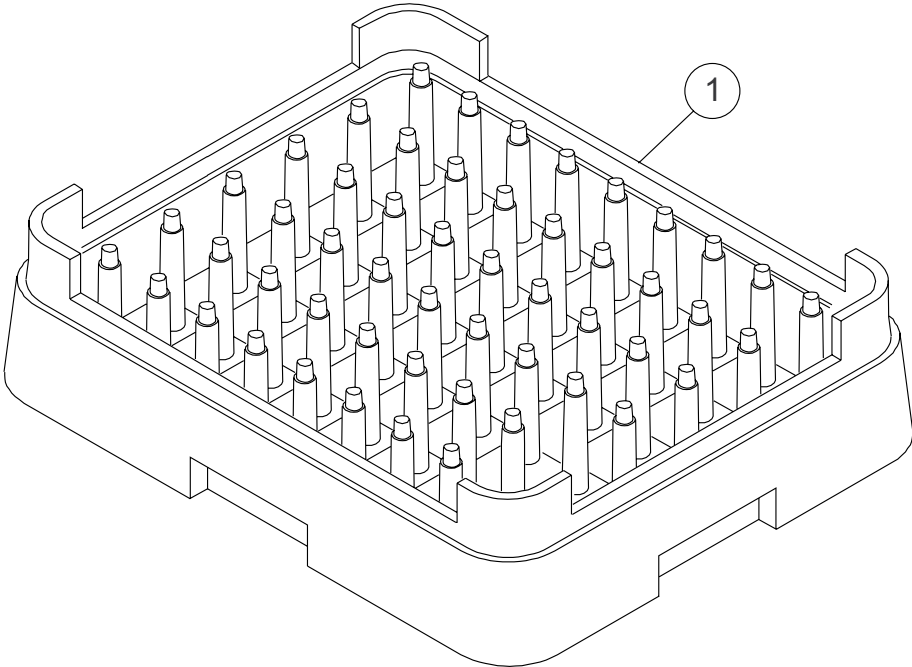
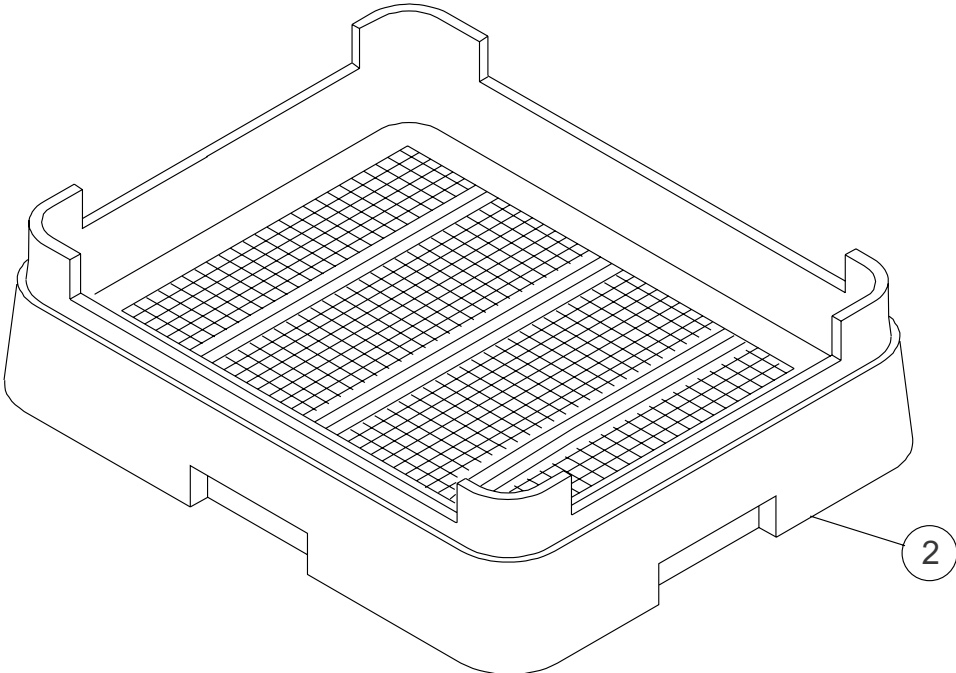


| Item No. | Part No. | Description                                 | Qty. |
|----------|----------|---|------|
|          |          | Heat Recovery Unit (HRU) Standard Vent Cowl |      |
| 1        | 100003   | HEX PLAIN NUT, 1/4-20 SST                   | 13   |
| 2        | 100734   | BOLT, HEX HEAD, 1/4-20 X 1/2" SST           | 12   |
| 3        | 106014   | HEX ACORN PLAIN NUT, 1/4-20 SST             | 4    |
| 4        | 106026   | WASHER, FLAT, 1/4" SST                      | 29   |
| 5        | 106482   | WASHER, LOCK, 1/4" SPLIT SST                | 20   |
| 6        | 108250   | ROD, CURTAIN, 5/16 X 24-5/8", 304 SST       | 1    |
| 7        | 116964   | CURTAIN, PRO HRU, VENT COWL, STD HT.        | 1    |
| 7a       | 117004   | CURTAIN, PRO HRU, VENT COWL, HIGH HOOD      | 1    |
| 8        | 339106   | VENT COWL, WELD., PRO HRU                   | 1    |
| 9        | 340720-1 | RACK VENT COWL, SIDE, STD. HT.              | 1    |
| 9a       | 340721-1 | RACK VENT COWL, SIDE, HIGH HOOD             | 1    |
| 10       | 340720-2 | RACK VENT COWL, SIDE, STD. HT.              | 1    |
| 10a      | 340721-2 | RACK VENT COWL, SIDE, HIGH HOOD             | 1    |
| 11       | 339281   | CONDENSATE, DRAIN PAN DEVP., PRO HRU        | 1    |



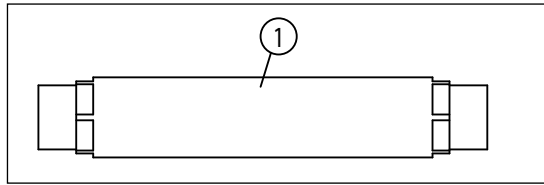
| Item No. | Part No. | Description                              | Qty. Per Pair |
|----------|----------|--|---------------|
| 1        | 401487-S | VENT STACK ASSEMBLY (INCLUDES ITEMS 2-5) | 2             |
| 2        | 201589   | REGULATOR ASSEMBLY                       | 2             |
| 3        | 112258   | NUT, WING 1/4-20 SST                     | 2             |
| 4        | 108954   | NUT, GRIP 6-32 W/NYLON INSERT            | 8             |
| 5        | 104883   | SCREW 6-32 X 3/8 ROUND HEAD              | 8             |
| 6        | 337597   | VENT COWL                                | 2             |
| 7        | 100734   | BOLT 1/4-20 X 1/2" HEX HEAD              | 8             |
| 8        | 100141   | NUT GRIP 1/4-20                          | 8             |
| 9        | 328995-1 | SHIELD, SPLASH LH                        | 1             |
| 10       | 328995-2 | SHIELD, SPLASH RH                        | 1             |

Dish Racks



| Item No. | Part No. | Description      | Qty. |
|----------|----------|------------------|------|
| 1        | 101285   | PEG RACK         | A/R  |
| 2        | 101273   | COMBINATION RACK | A/R  |

**ION WATER CONDITIONER**



| Item No. | Part No. | Description                                   | Qty.... |
|----------|----------|---|---------|
| 1        | 901246   | KIT, CHAMPION ION WTR. CONDITIONER, UNMOUNTED | 1       |

| Item Qty..... | Part No. | Description                           |   |
|---------------|----------|---------------------------------------|---|
| 1             | 116751   | KIT, DRAIN WATER TEMPERING, UNMOUNTED | 1 |

**MECHANICAL DRAIN WATER TEMPERING KIT**



**This page  
intentionally  
left blank.**

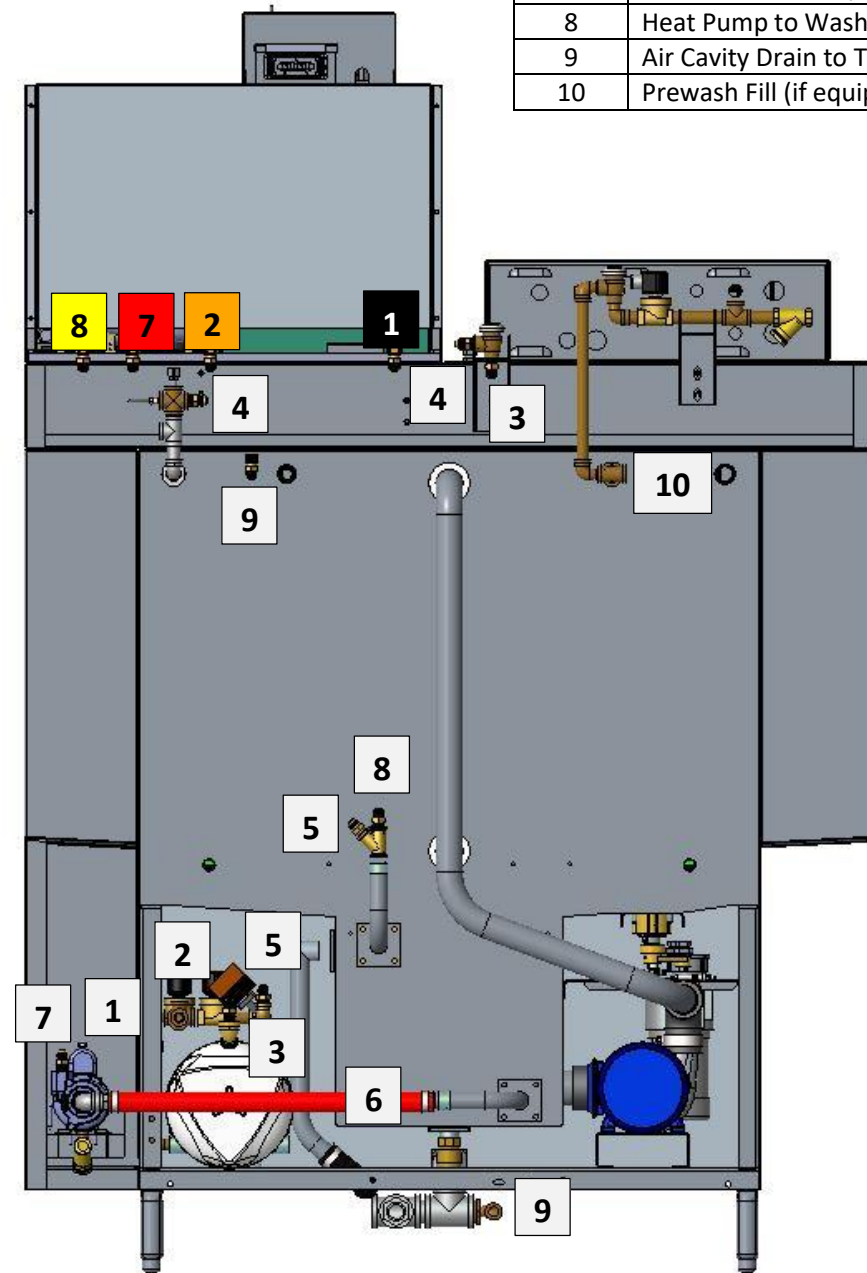
# HOSE DIAGRAMS

### 44PRO-VHR Hose Plumbing Diagram

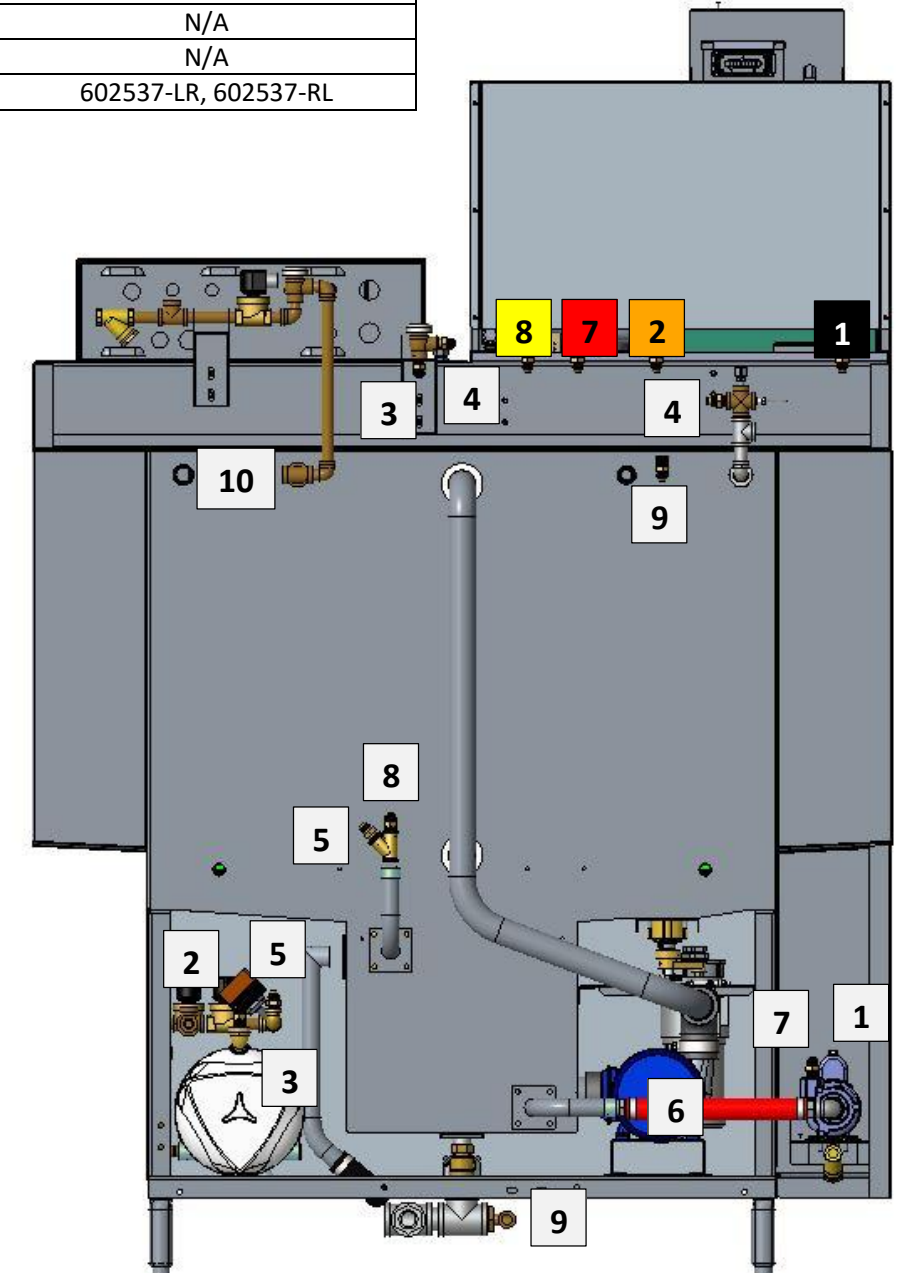
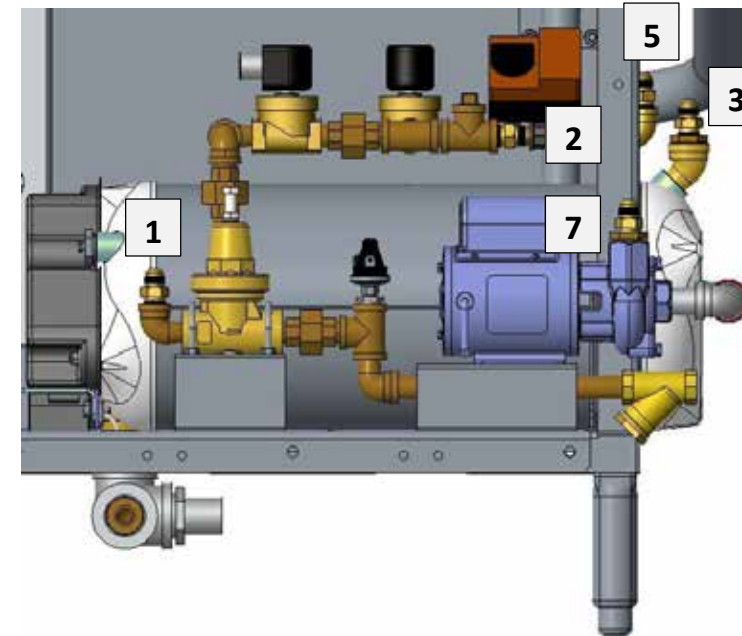
(For machines with an order delivery date after 1/31/21)

| Hose # | Hose Description                | Hose Marking<br>(see Note 1) | L-R Machine                  | R-L Machine      | Reference Piping Drawings |
|--------|---------------------------------|------------------------------|------------------------------|------------------|---------------------------|
| 1      | Cold Inlet to Heat Pump         | Black                        | 419007 (70")                 | 419973 (64")     | 602513                    |
| 2      | Heat Pump to Booster            | Orange                       | 420533 (50")                 | 419012 (60")     | 602415                    |
| 3      | Booster to FR Vacuum Breaker    |                              | 419469 (48") both directions |                  | 421299                    |
| 4      | FR Vacuum Breaker to FR Piping  |                              | 421307 (18") both directions |                  | 602522                    |
| 5      | Modulating Valve to Wash Tank   |                              | 421079 (25") both directions |                  | 602415                    |
| 6      | Wash Tank to Recirculation Pump |                              | 207560 (21-1/4")             | 207831 (11-1/4") | N/A                       |
| 7      | Recirculation Pump to Heat Pump | Red                          | 420533 (50") both directions |                  | N/A                       |
| 8      | Heat Pump to Wash Tank          | Yellow                       | 420537 (40")                 | 419468 (34")     | N/A                       |
| 9      | Air Cavity Drain to Tank Drain  |                              | 419007 (70")                 | 419012 (60")     | N/A                       |
| 10     | Prewash Fill (if equipped)      |                              | 419228 (12") both directions |                  | 602537-LR, 602537-RL      |

**Note 1:**  
Wrap matching colored electrical tape bands (using the specified colors shown) around heat pump copper tubes and their corresponding hoses near the joints to aid field connections.



L-R Machine



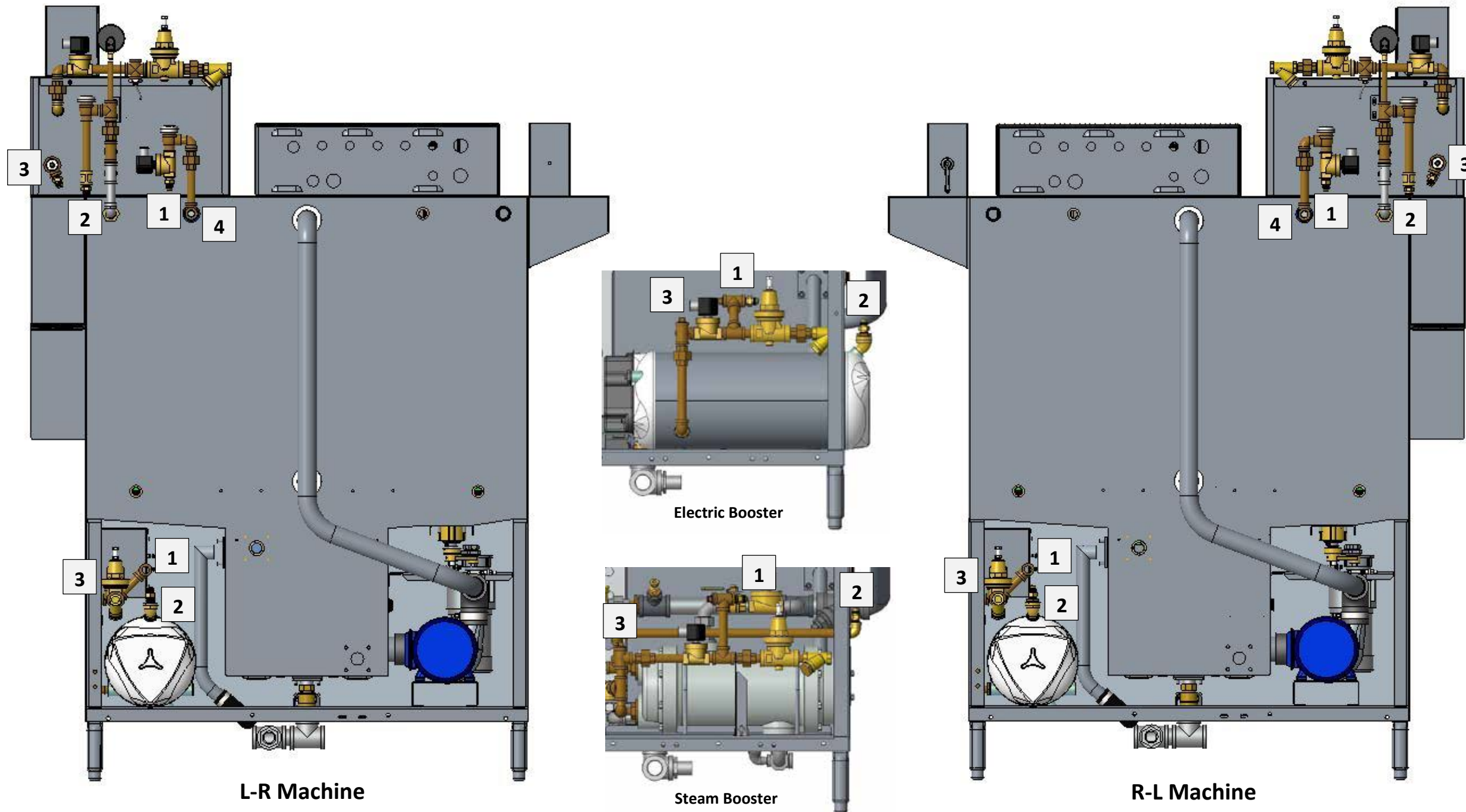
R-L Machine

### 44PRO Hose Plumbing Diagram, With Booster, Standard or Hi-Hood

(For machines with an order delivery date after 12/13/20)

| Hose # | Hose Description            | L-R Machine                  |               | R-L Machine      |               | Reference Piping Drawings      |
|--------|-----------------------------|------------------------------|---------------|------------------|---------------|--------------------------------|
|        |                             | Electric Booster             | Steam Booster | Electric Booster | Steam Booster |                                |
| 1      | Wash Tank Fill              | 419469 (48")                 | 420533 (50")  | 419012 (60")     | 419012 (60")  | 602526, 602532, 602524 (steam) |
| 2      | Final Rinse                 | 421078 (45")                 | 117569 (45")* | 419012 (60")     | 117570 (60")* | 421056, 602435, 602524 (steam) |
| 3      | Heat Recovery (if equipped) | 419010 (56")                 | 419973 (64")  | 420980 (75")     | 419013 (80")  | 602436, 602532, 602524 (steam) |
| 4      | Prewash Fill (if equipped)  | 419005 (36") both directions |               |                  |               | 602526                         |

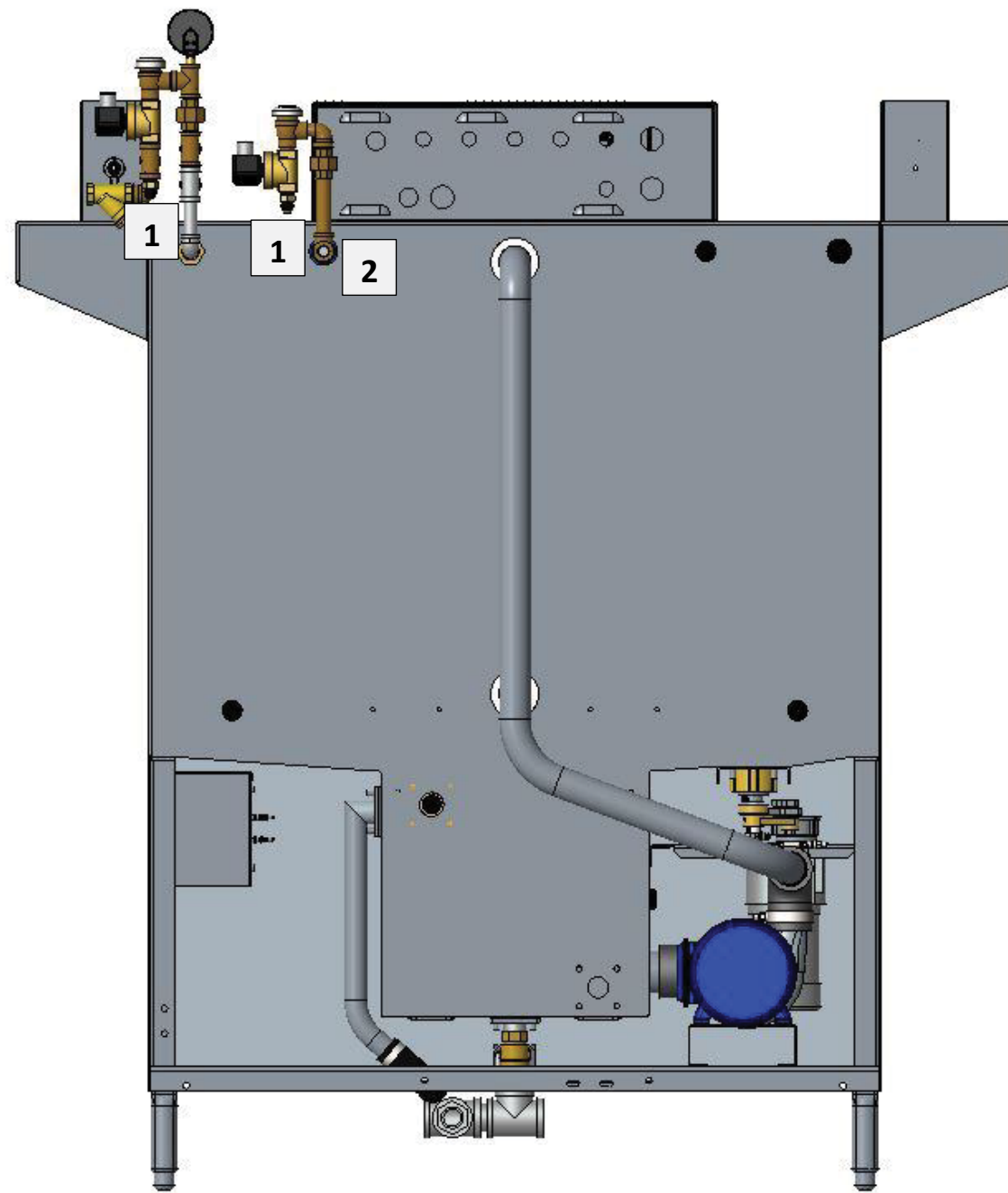
\* = SST braided hose for steam final rinse applications



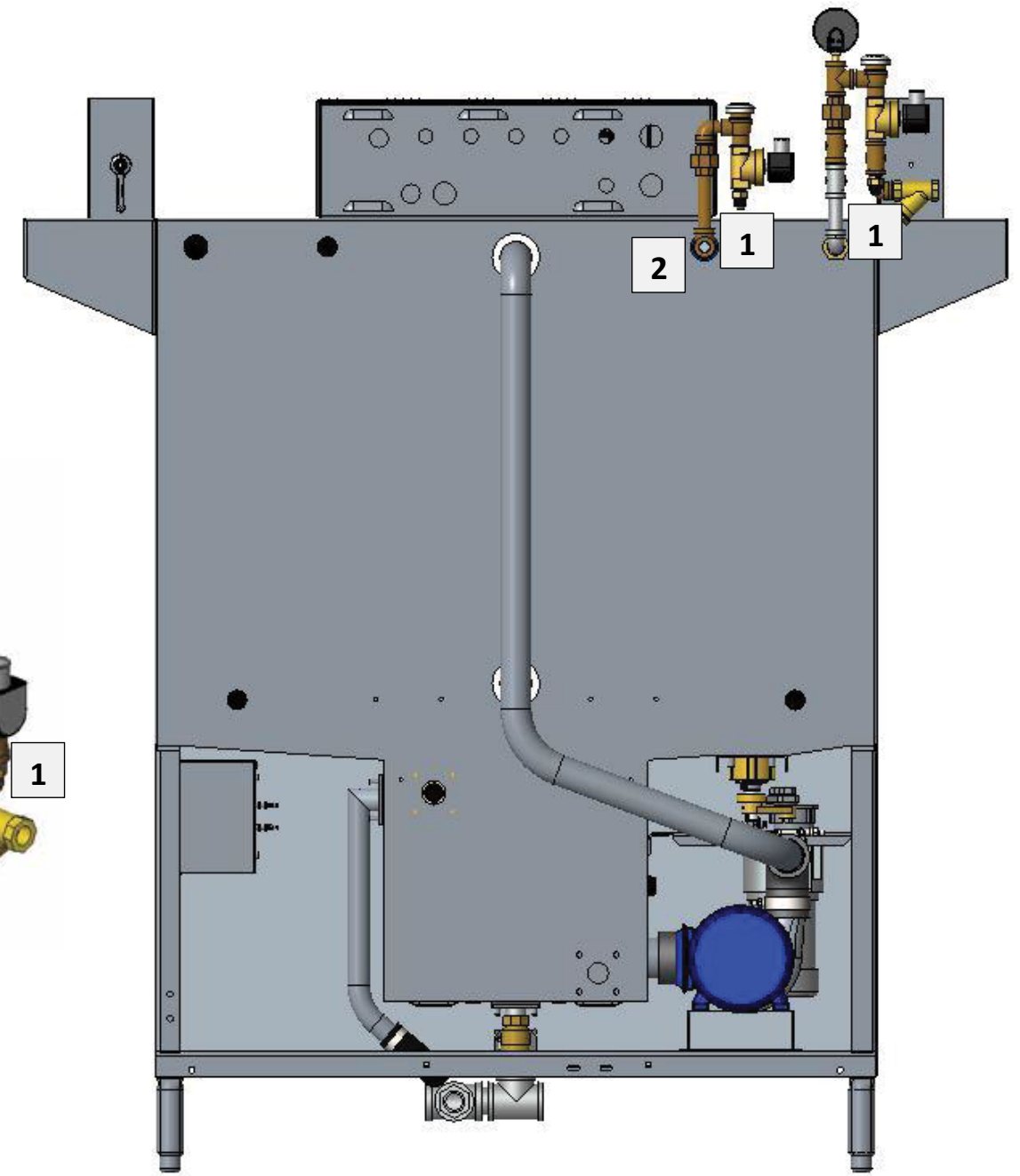
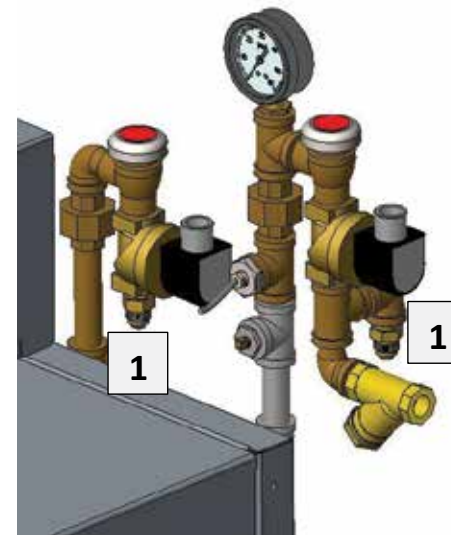
### 44PRO Hose Plumbing Diagram, No Booster

(For machines with an order delivery date after 12/13/20)

| Hose # | Hose Description           | L-R Machine                  | R-L Machine | Reference Piping Drawings |
|--------|----------------------------|------------------------------|-------------|---------------------------|
| 1      | Wash Tank Fill             | 421307 (18") both directions |             | 602526, 602533            |
| 2      | Prewash Fill (if equipped) | 419005 (36") both directions |             | 602526                    |



L-R Machine

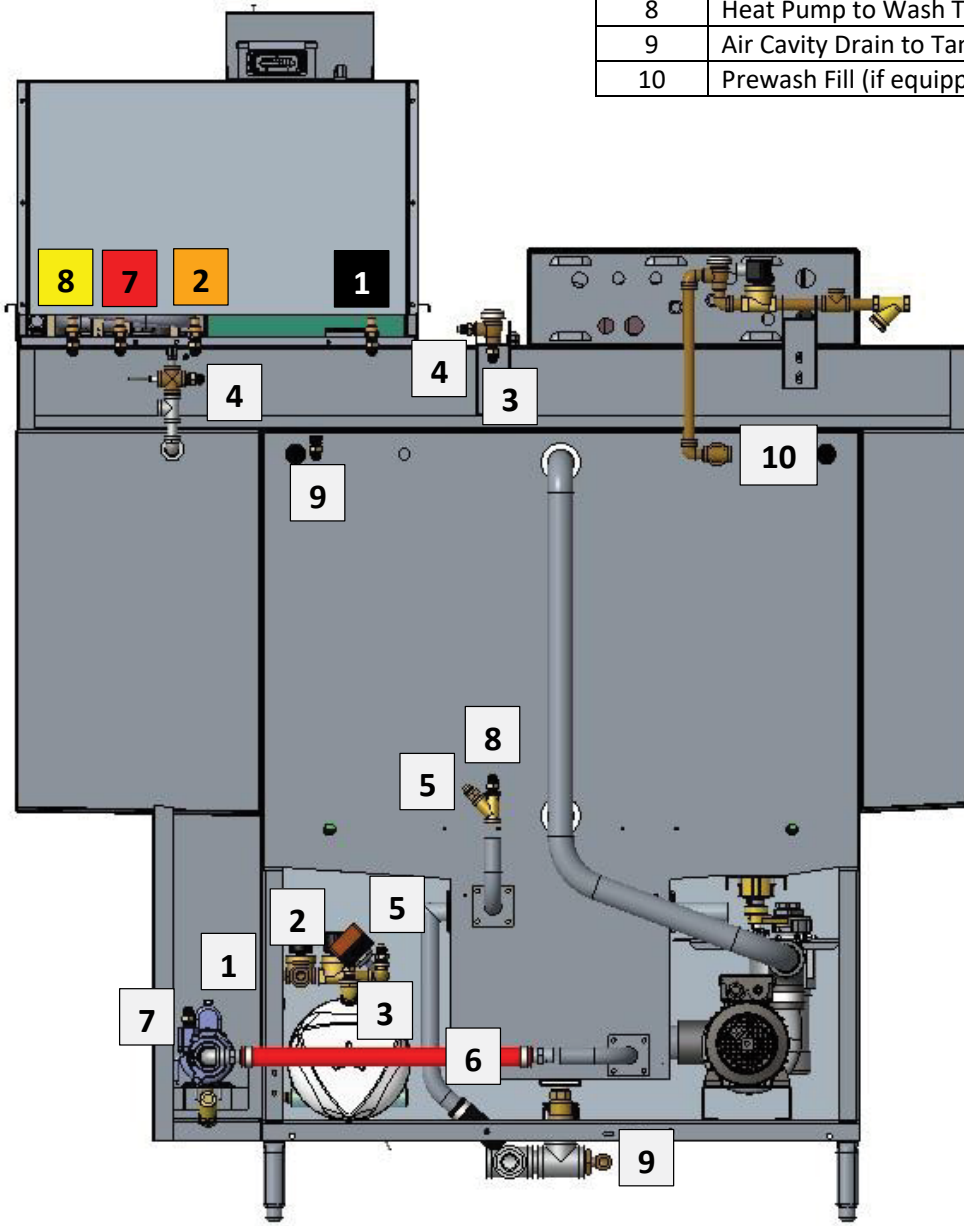


R-L Machine

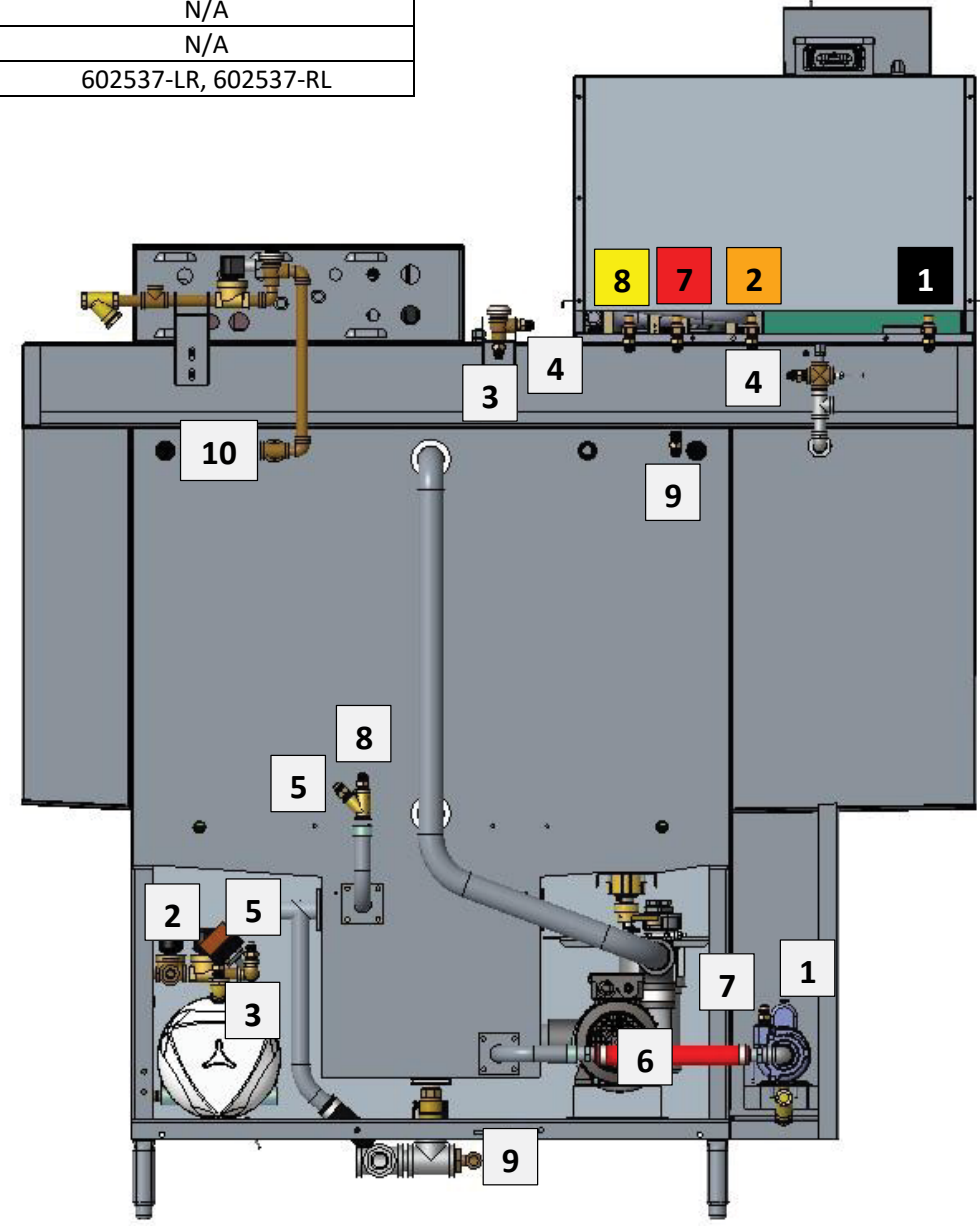
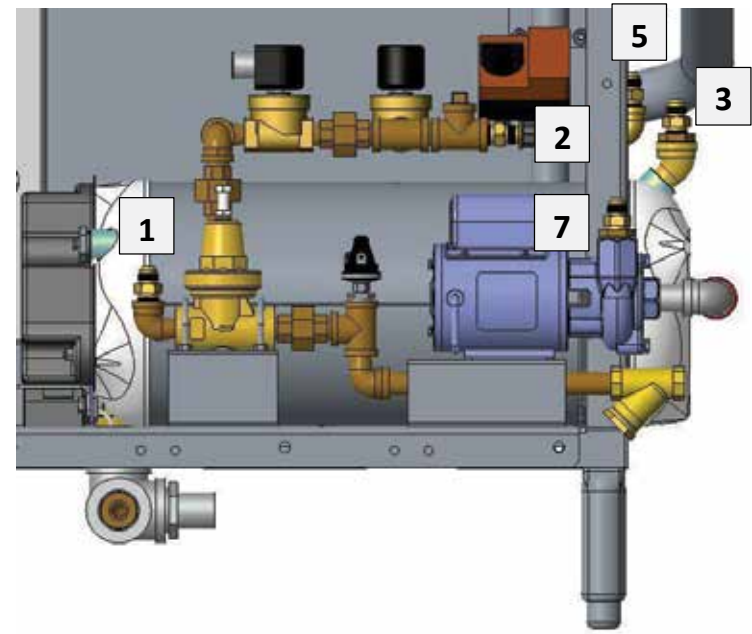
### 54PRO-VHR Hose Plumbing Diagram

| Hose # | Hose Description                | Hose Marking<br>(see Note 1) | L-R Machine                  | R-L Machine      | Reference Piping Drawings |
|--------|---------------------------------|------------------------------|------------------------------|------------------|---------------------------|
| 1      | Cold Inlet to Heat Pump         | Black                        | 419973 (64")                 | 419973 (64")     | 602513                    |
| 2      | Heat Pump to Booster            | Orange                       | 421327 (52")                 | 420980 (75")     | 602415                    |
| 3      | Booster to FR Vacuum Breaker    |                              | 420533 (50") both directions |                  | 421299                    |
| 4      | FR Vacuum Breaker to FR Piping  |                              | 421307 (18") both directions |                  | 602522                    |
| 5      | Modulating Valve to Wash Tank   |                              | 421079 (25") both directions |                  | 602415                    |
| 6      | Wash Tank to Recirculation Pump |                              | 207560 (21-1/4")             | 207831 (11-1/4") | N/A                       |
| 7      | Recirculation Pump to Heat Pump | Red                          | 421327 (52")                 | 420533 (50")     | N/A                       |
| 8      | Heat Pump to Wash Tank          | Yellow                       | 419469 (48")                 | 420987 (43")     | N/A                       |
| 9      | Air Cavity Drain to Tank Drain  |                              | 420980 (75")                 | 419973 (64")     | N/A                       |
| 10     | Prewash Fill (if equipped)      |                              | 419228 (12") both directions |                  | 602537-LR, 602537-RL      |

**Note 1:**  
Wrap matching colored electrical tape bands (using the specified colors shown) around heat pump copper tubes and their corresponding hoses near the joints to aid field connections.



L-R Machine

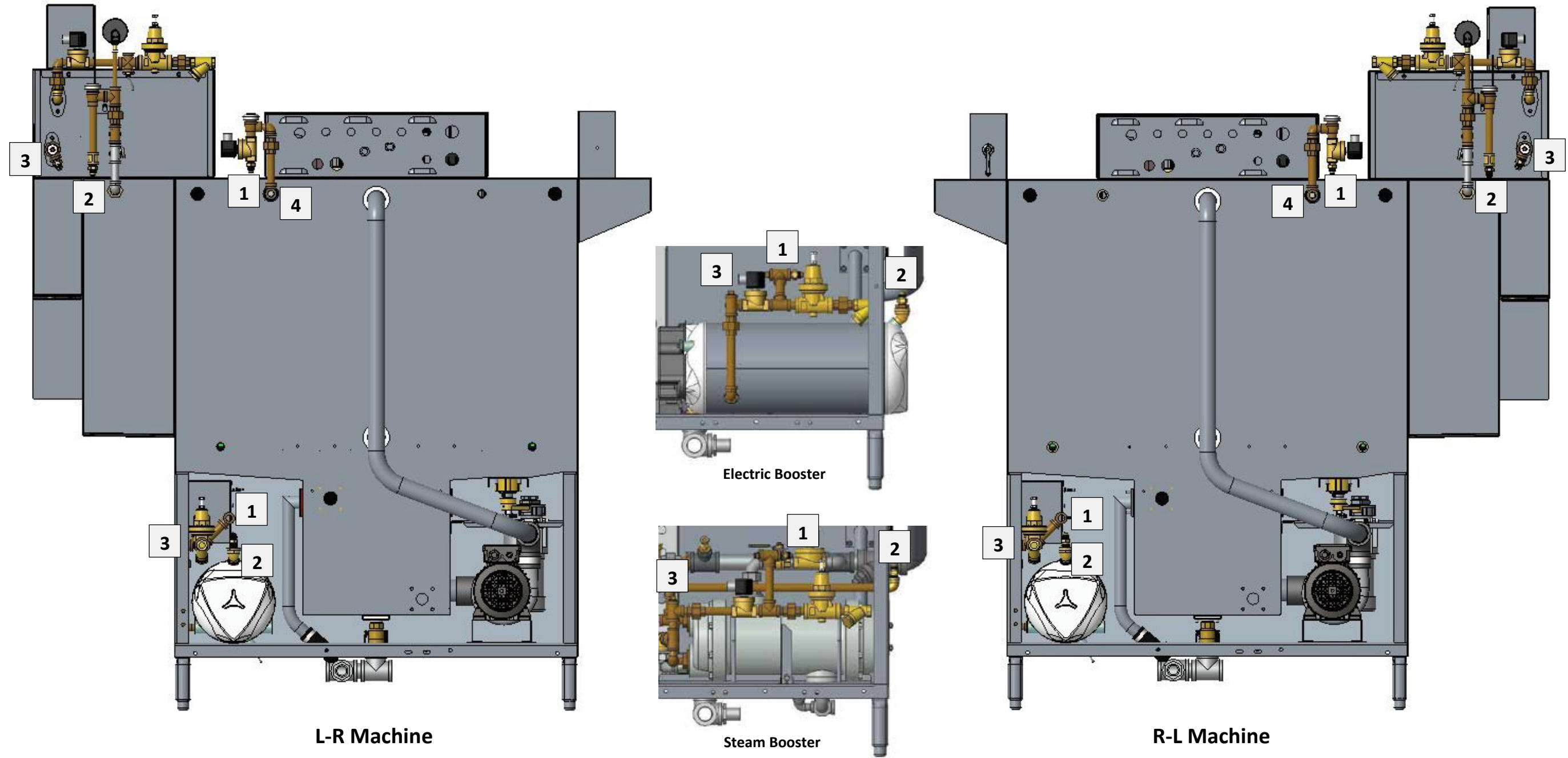


R-L Machine

### 54PRO Hose Plumbing Diagram, With Booster, Standard or Hi-Hood

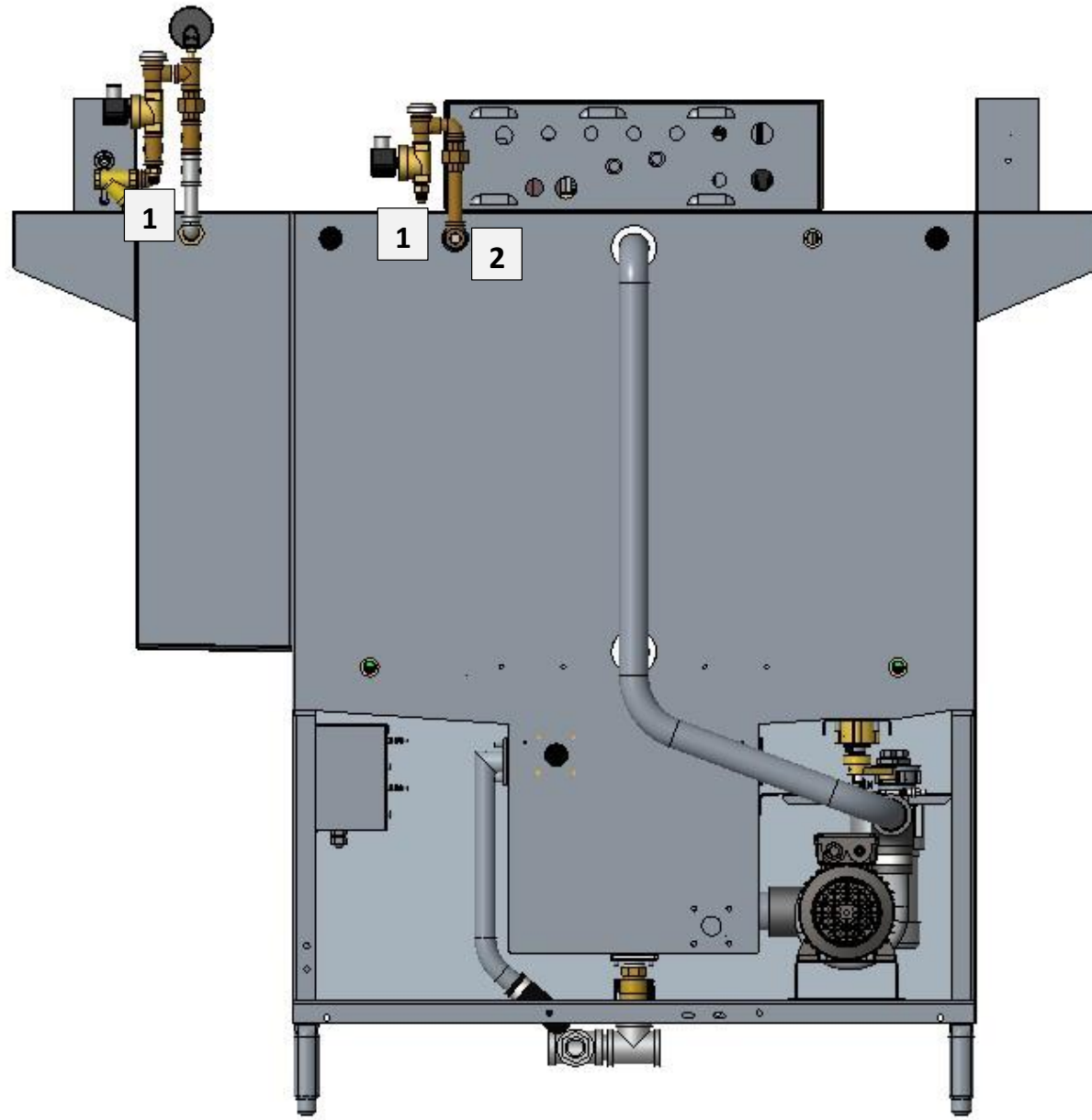
| Hose # | Hose Description            | L-R Machine                  |               | R-L Machine      |               | Reference Piping Drawings      |
|--------|-----------------------------|------------------------------|---------------|------------------|---------------|--------------------------------|
|        |                             | Electric Booster             | Steam Booster | Electric Booster | Steam Booster |                                |
| 1      | Wash Tank Fill              | 419469 (48")                 | 420533 (50")  | 419012 (60")     | 419012 (60")  | 602526, 602532, 602524 (steam) |
| 2      | Final Rinse                 | 421078 (45")                 | 117569 (45")* | 420539 (68")     | 117571 (70")* | 421056, 602435, 602524 (steam) |
| 3      | Heat Recovery (if equipped) | 419012 (60")                 | 420539 (68")  | 419013 (80")     | 419013 (80")  | 602436, 602532, 602524 (steam) |
| 4      | Prewash Fill (if equipped)  | 419005 (36") both directions |               |                  |               | 602526                         |

\* = SST braided hose for steam final rinse applications

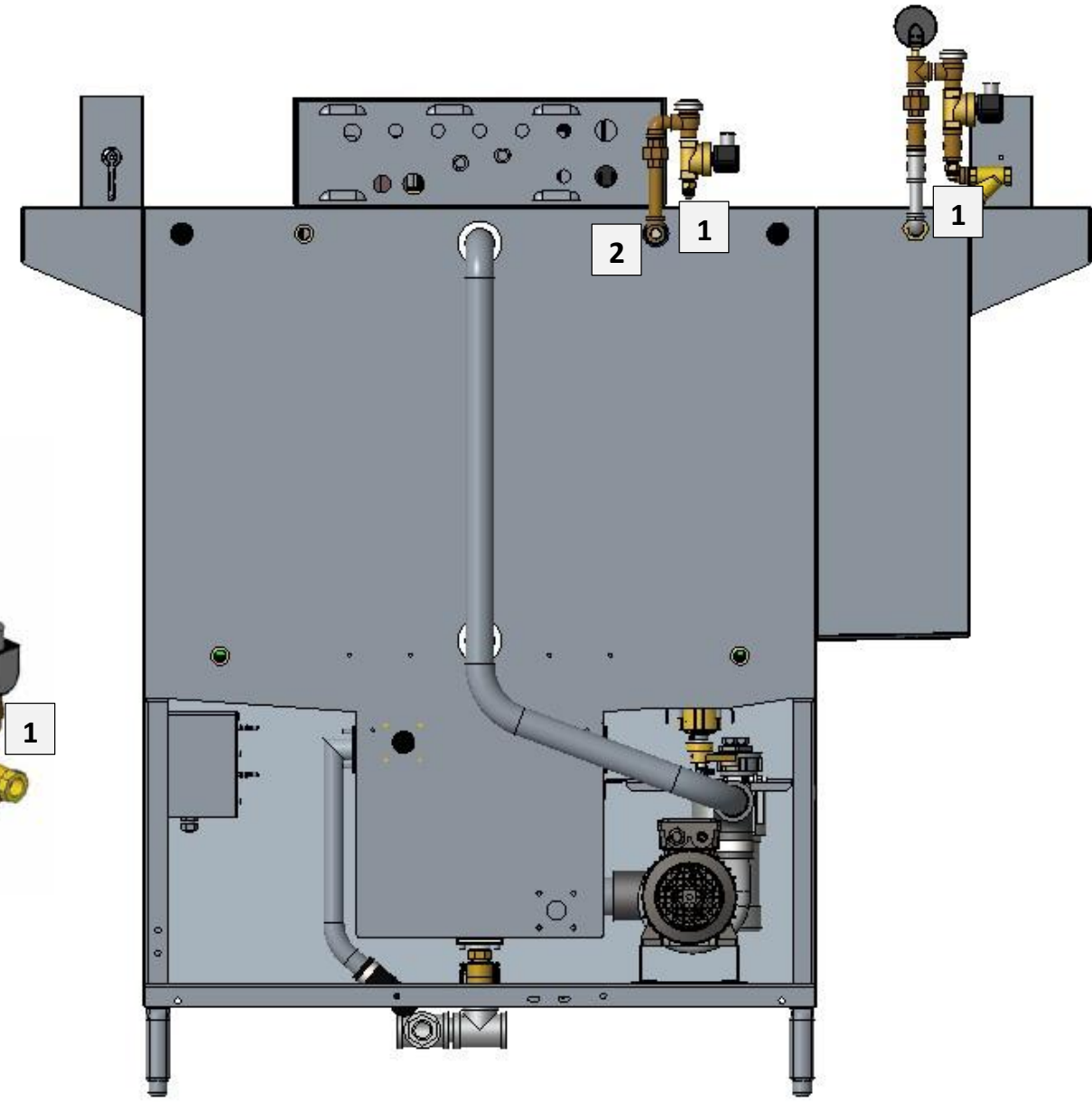
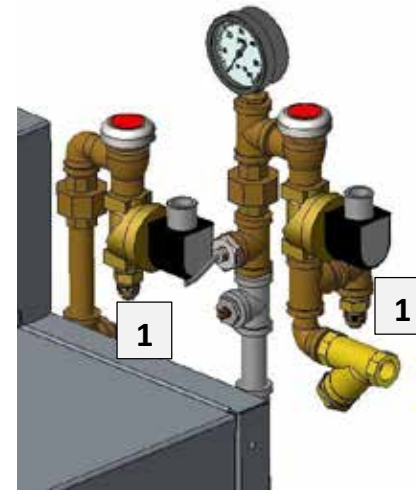


### 54PRO Hose Plumbing Diagram, No Booster

| Hose # | Hose Description           | L-R Machine                  | R-L Machine | Reference Piping Drawings |
|--------|----------------------------|------------------------------|-------------|---------------------------|
| 1      | Wash Tank Fill             | 421079 (25") both directions |             | 602526, 602533            |
| 2      | Prewash Fill (if equipped) | 419005 (36") both directions |             | 602526                    |



L-R Machine



R-L Machine

This Page  
Intentionally  
Left Blank

